

A-SERIES  
400 SERIES  
WINDOWS & DOORS

**COASTAL  
PRODUCT  
GUIDE**  
FOR PROFESSIONALS





# CONTENTS

## A-SERIES

A-Series Coastal Product Overview . . . . .	4
A-Series Windows . . . . .	21
A-Series Specialty Windows . . . . .	55
A-Series Frenchwood® Patio Doors . . . . .	95

## A-SERIES & 400 SERIES

Exterior Trim . . . . .	129
-------------------------	-----

## 400 SERIES

400 Series Coastal Product Overview . . . . .	138
400 Series Casement & Awning Windows . . . . .	151
400 Series Tilt-Wash Double-Hung Windows . . . . .	169
400 Series Specialty Windows . . . . .	179

Combination Designs . . . . .	193
Performance Data . . . . .	203
Installation Accessories . . . . .	216
Sustainability . . . . .	219
Warranties . . . . .	220
Quick Reference Chart . . . . .	222



# ANDERSEN® COASTAL PRODUCTS

## OUR TOUGHEST PROTECTION FOR WINDOWS AND DOORS.

Pretty. Yet tough. That's the promise of Andersen® A-Series windows and patio doors with Stormwatch® protection and our 400 Series windows with Stormwatch protection. Stunning aesthetics that make any project appealing and built-in protection that can stand up to Mother Nature\* at her crankiest – as well as coastal building codes. A myriad of options allow you to create one-of-a-kind windows and doors to suit your most innovative designs instead of altering plans to accommodate the one-style-fits-all inventory favored by many of our competitors.

To allow our Stormwatch products to stand up to harsh coastal weather conditions, we add structural enhancements such as impact-resistant glass; high-strength silicone glazing; frame, sash and panel reinforcements; and heavy-duty hardware.

When impact-resistant glass is not needed,\*\* Performance Grade upgrades are also available on many standard A-Series and 400 Series products. Options are presented in each product section. Ask your Andersen supplier for details.



WINDOWS AND DOORS WITH  
**StormWATCH**  
PROTECTION

## PROTECTING PEACE OF MIND.

In addition to the protection needed to meet coastal building codes,\*\* every Andersen product with the Stormwatch protection insignia also carries the Andersen promise of quality materials and precise construction. That's why they're all backed with our Owner-2-Owner® limited warranties, such as our 10-year limited warranty for impact-resistant glass. For complete information on our warranties, visit [andersenwindows.com/warranty](http://andersenwindows.com/warranty).

\*For details, go to [andersenwindows.com/warranty](http://andersenwindows.com/warranty).

\*\*See your local code official for building code requirements in your area.



# GLASS FOR EVERY REGION. CONFIDENCE FOR EVERY PROJECT.

A-Series and 400 Series products with Stormwatch® protection allow you to order the exact glass needed to comply with virtually any coastal building code requirement.\* The following glass options are available:



**LOW-E4® IMPACT-RESISTANT GLASS** provides all the benefits of monolithic impact-resistant glass (shown far right), while adding an insulating air space that helps keep homes cool in the summer and warm in the winter.

*Available in: A-Series/400 Series*



**LOW-E4 SMARTSUN™ IMPACT-RESISTANT GLASS** delivers the benefits of Low-E4 glass, plus it helps shield homes from the sun's heat and filters out 95% of harmful UV rays while letting the sunlight shine through.

*Available in: A-Series/400 Series*



**LOW-E4 SUN IMPACT-RESISTANT GLASS** is tinted for maximum protection from the effects of intense sunlight and provides all the benefits of Low-E4 glass.

*Available in: A-Series/400 Series*



**MONOLITHIC IMPACT-RESISTANT GLASS** is reinforced with a clear plastic laminate sandwiched between two panes to resist impact, forced entry and unwanted noise. Choose from clear or gray.

*Available in: A-Series Frenchwood® patio doors/400 Series windows*

\*See your local code official for building code requirements in your area.

# THERE IS MORE THAN ONE COAST. YOU SHOULD HAVE A CHOICE OF COASTAL PRODUCT LINES.

With Andersen, you have a choice of two coastal product lines to fit your needs, building requirements and design expectations. No matter which you choose, both are

supported by our 100-plus years of commitment to quality, the service you expect from a leader and the reputation of the most trusted name in the industry.

## A-SERIES PRODUCTS



### WHY CHOOSE A-SERIES COASTAL PRODUCTS?

A-Series products with Stormwatch® protection have reinvented coastal windows and doors with exterior composite materials that stand the test of time\* in coastal environments. Plus, they're arranged based on the style of home, making classic architectural styles easier to achieve.

#### Features of A-Series products with Stormwatch protection include:

- Warranted against corrosion for the life of the products,\*\* without the need for washing or waxing\* to keep the warranty valid
- The most energy-efficient coastal windows we've ever offered
- Hidden structural reinforcements increase performance without sacrificing aesthetics
- Available in 11 exterior colors and a wide selection of interior wood species, factory-finished interiors and exterior trim options
- Fibrex® composite materials in window frame and trim components are twice as strong as vinyl and block thermal heat transfer nearly 700 times better than aluminum
- Virtually maintenance-free exteriors hold their original vibrant colors, never need painting, and won't flake, rot, blister, peel, pit or corrode\*
- Provides 24/7 protection from storms when homeowners are away, without the need for shutters or removable storm panels
- Reduced sound transmission
- Forced-entry resistant

\*Visit [andersenwindows.com/warranty](http://andersenwindows.com/warranty) or contact your Andersen supplier for details on the A-Series Limited Warranty.

\*\*Hardware is excluded.

For A-Series coastal products, see pages 4–128.





## 400 SERIES PRODUCTS

### WHY CHOOSE 400 SERIES COASTAL PRODUCTS?

An excellent value for the money, these are the coastal versions of the windows that have helped make Andersen the most recognized window brand in America.

#### Features of 400 Series products with Stormwatch® protection include:

- Time-tested and proven on the coasts since 1966
- Available in six popular colors: White, Canvas, Sandtone, Terratone, Forest Green and Dark Bronze
- Perma-Shield® vinyl cladding resists salt spray and sea air
- Perma-Shield exterior never needs painting, repels water, resists dents, and won't peel, blister, flake or corrode\*
- Classic blend of engineering and craftsmanship
- Provides 24/7 protection from storms when homeowners are away, without the need for shutters or removable storm panels\*\*
- Reduced sound transmission
- Forced-entry resistant
- Complete compatibility with A-Series Frenchwood® patio doors



For 400 Series coastal products, see pages 138–192.

\*Visit [andersenwindows.com/warranty](http://andersenwindows.com/warranty) or contact your Andersen supplier for details on the 400 Series with Stormwatch® protection and impact-resistant glass Limited Warranty.

\*\*Retractable interior brackets must be engaged on 400 Series tilt-wash double-hung windows to meet structural requirements.



A photograph of a modern outdoor deck. The deck features large, multi-paned windows with white frames that reflect the surrounding greenery. On the deck, there is a black wicker chair with a tan cushion and a matching ottoman. In front of the chair is a low, rustic coffee table made of a thick, flat piece of driftwood resting on a larger, irregular piece of driftwood. The deck is made of light-colored wooden planks. The background shows a clear blue sky and tall, thin trees. The overall aesthetic is clean, modern, and coastal.

# A-SERIES

## COASTAL PRODUCTS





## DREAM AND DESIGN WITH COMPLETE PEACE OF MIND

**Now you don't have to sacrifice design to satisfy even the toughest coastal building codes.**

Designed in conjunction with leading architects, A-Series windows and doors with Stormwatch® protection feature an innovative system of options that work together seamlessly, allowing you to create virtually any architectural style with ease. Yet their beauty is more than skin deep.

A-Series coastal products are also our best-performing, most energy-efficient products and are available with the options you need to meet strict coastal building code requirements.\* In fact, the materials used are so coastal ready, they don't even need to be washed or waxed to keep their warranty valid.\*\*

With A-Series coastal products, not only is there beauty in the details, there's comfort in knowing they will last.



**Colors:** With 11 different colors, you can mix and match design colors on sash, frame and trim to achieve hundreds of options.

**See page 10.**

**Interior finishes:** A-Series windows and doors offer six different factory stains, two paint choices or a primed finish that lets you paint the interiors any color your customers want. **See page 12.**

\*See your local code official for building code requirements in your area.  
\*\*Visit [andersenwindows.com/warranty](http://andersenwindows.com/warranty) or contact your Andersen supplier for details on the A-Series Limited Warranty.



# UNEQUALED PERFORMANCE

## A-SERIES PRODUCTS WITH STORMWATCH® PROTECTION

Windborne debris. Hurricane-force winds. Strict coastal building codes.\* A-Series products with Stormwatch® protection offer options that can deliver the performance, low maintenance and energy efficiency you need.

### OUR BEST-PERFORMING WINDOWS AND DOORS

A-Series products with Stormwatch protection feature the following ratings:\*\*

Windows	PG70 (DP70)
Gliding Patio Doors	PG70 (DP70)
Hinged Patio Doors	PG65 (DP65)

In addition, they're designed to satisfy‡

- Large missile impact test ASTM/E1886/E1996
- Miami-Dade TAS 201, 202, 203
- AAMA/WDMA/CSA 101/I.S.2 A440-08

UP TO  
**PG70**  
PERFORMANCE

### A BETTER COASTAL WARRANTY

Unlike most other windows that need to be washed or waxed regularly to keep the warranty valid, A-Series products with Stormwatch protection are warranted against corrosion for the life of the products‡ with no washing or waxing required.††

Additionally, our renowned **Owner-2-Owner® limited warranty** is fully transferrable and not prorated, making it one of the best coverage plans available — which means it can add resale value for your customers. It's also supported by the industry's largest service network.



WINDOWS AND DOORS WITH  
**StormWATCH**  
PROTECTION

\*See your local code official for building code requirements in your area.

\*\*Ratings vary by product line and unit size. See the performance section for specific unit performance.

For up-to-date performance values, visit [andersenwindows.com](http://andersenwindows.com).

‡Hardware excluded.

††Visit [andersenwindows.com/warranty](http://andersenwindows.com/warranty) or contact your Andersen supplier for details on the A-Series Limited Warranty.



**ENERGY-SAVING GLASS AND DESIGN**

Our standard glass helps protect against unwanted solar heat and minimizes energy bills. Many A-Series windows and doors with Stormwatch® protection meet ENERGY STAR® criteria and can help homeowners save on heating and air conditioning every year.\*

Visit [andersenwindows.com/energystar](http://andersenwindows.com/energystar) for more information.



**RIGOROUSLY TESTED**

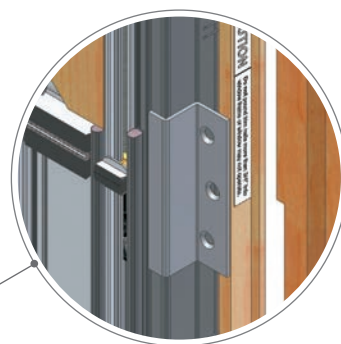
A-Series products with Stormwatch protection have withstood testing that has taken them from temperatures as cold as Alaskan winters to the heat of Death Valley summers. They've stood up to hurricane-force winds\*\* and prolonged exposure to sea air. To see testing videos, visit [andersenwindows.com/coastal](http://andersenwindows.com/coastal).

**VIRTUALLY MAINTENANCE-FREE EXTERIORS**

Exteriors of A-Series windows and doors never need painting. They won't flake, rot, blister, peel, pit or corrode.†† Plus they're warranted against corrosion for the life of the products,† with no washing or waxing required.††

**GET ONLY THE UPGRADES YOU NEED**

Some codes don't require impact-resistant glass. For these situations, Performance Grade (PG) upgrades are available for many standard A-Series products. Options are listed in each product section. Also, see your dealer for more details.



**NO EXPOSED BRACKETS**

Hidden structural brackets mean no visible reinforcements are necessary to meet coastal product performance requirements and provide 24/7 protection from storms when homeowners are away.

**BUILT STRONG**

We use solid wood in interior door panels and window sash and frames, plus fiberglass on outer door frames and window sash exteriors, to provide an unmatched combination of strength, insulation, versatility and beauty. Additionally, our Fibrex® composite material used in window frames and trim components delivers twice the strength and rigidity of vinyl.



**WATER MANAGEMENT THAT WORKS**

These features work together to direct water away from buildings:

- Hermetically sealed corner keys that keep frames tight
- Sloped sill on double-hung windows
- Sill on patio doors channels water away from the home
- Innovative trim attachment flange secures trim independent of the window or door's water management system

**SEALS OUT THE WEATHER**

Weather-resistant seals stand up to eight inches of rain per hour and hurricane-force winds\*\* Double-hung windows feature a dual-bulb seal, and casement windows use refrigerator-type gaskets to help keep air and water out.

\*Visit [andersenwindows.com/energystar](http://andersenwindows.com/energystar) to verify that the product and glass meet ENERGY STAR® requirements in your area.

\*\*Tested to AAMA/WDMA/CSA 101/I.S.2/A440-08 PG70.

†Hardware excluded.

†† Visit [andersenwindows.com/warranty](http://andersenwindows.com/warranty) or contact your Andersen supplier for details on the A-Series Limited Warranty.



# UNCOMMON PRECISION

## COMMON SIZE GRID

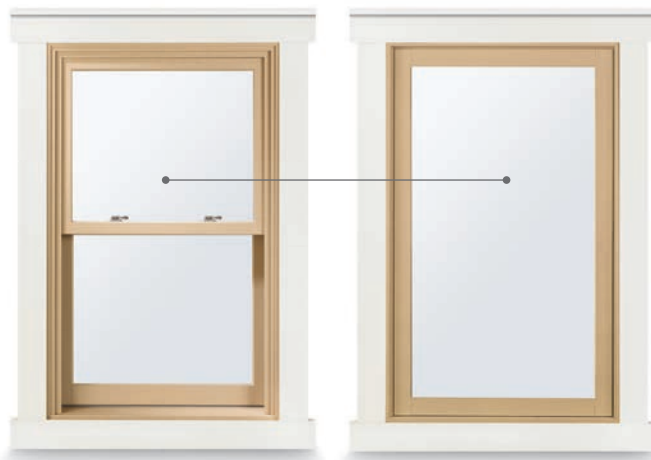
Common sizes in four-inch increments are based on the rough opening to simplify framing and specifying. Even-inch sizes eliminate fractions and reduce jobsite errors. A 3/4-inch (19) gap horizontally and vertically leaves room for shims, insulation and sill flashing.

## CUSTOM SIZING

All Andersen® A-Series windows and doors can be ordered in 1/8-inch (3) increments, providing flexibility for replacement, remodeling, new construction or light commercial projects.

## COMMON GLASS SETBACK

A common glass setback on A-Series windows and patio doors delivers noticeably clean shadow lines both inside and out.



The top halves of double-hung windows align perfectly with casement windows, awning windows, picture windows, patio doors and transoms.

Dimensions in parentheses are in millimeters.

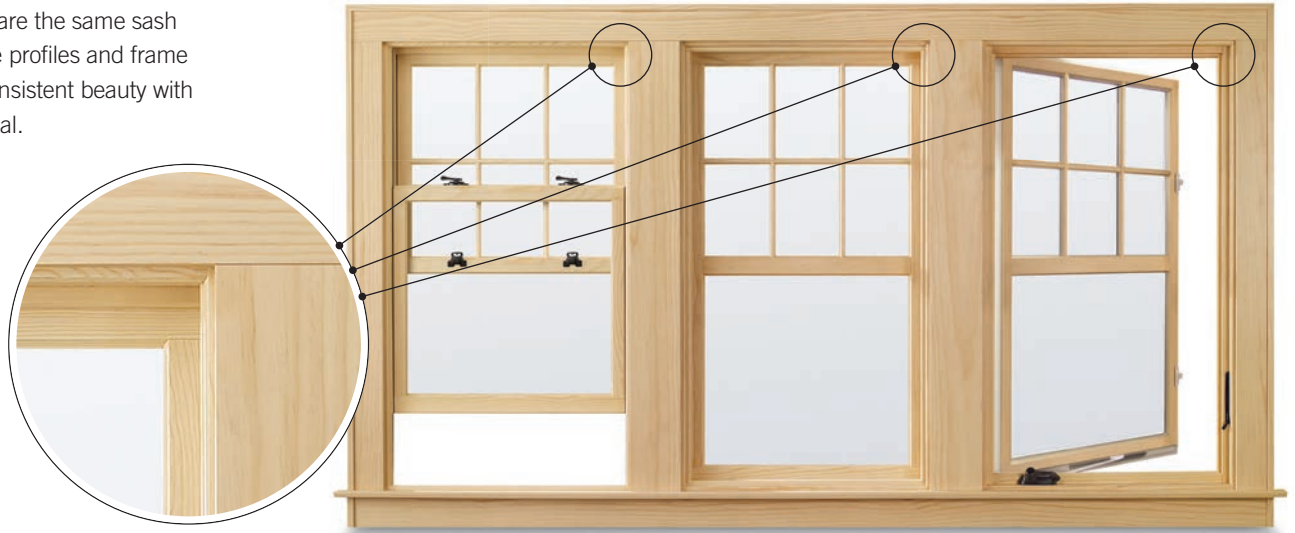


**COMPLETE ALIGNMENT**

Common sight lines allow you to specify any combination of window styles and still have them match and align perfectly.



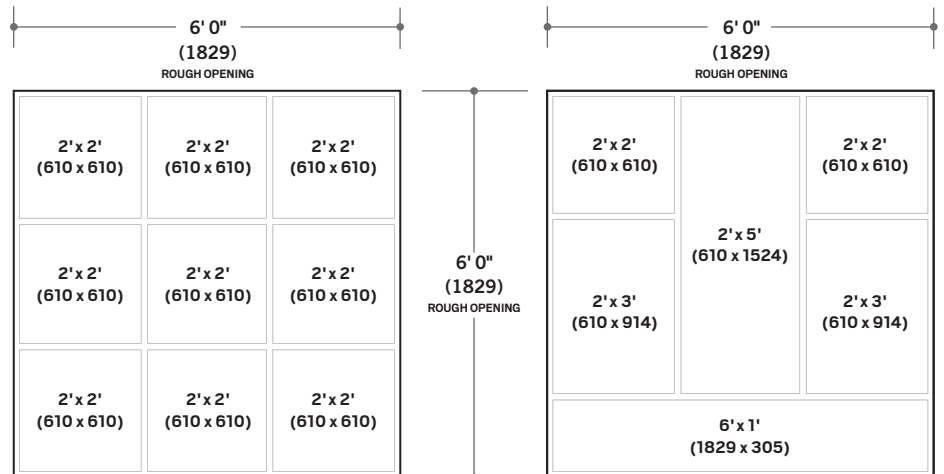
Windows share the same sash design, grille profiles and frame depth for consistent beauty with classic appeal.



**EASY MATH**

The A-Series window and door system simplifies selection and installation of multiple windows within a single rough opening. 3/4-inch (19) horizontal and vertical joints keep sizing consistent no matter how many or what size windows you combine.

The spacing in these illustrations is exaggerated for demonstration purposes.



Dimensions in parentheses are in millimeters.



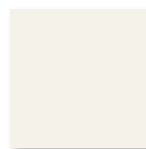
# OUTER BEAUTY

## EXTERIOR OPTIONS TO MATCH ANY STYLE

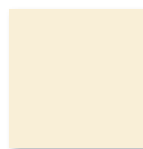
A-Series products with Stormwatch® protection are available in a wide range of exterior colors and exterior trim choices. Even in the harshest of coastal conditions, they're virtually maintenance-free, hold their original vibrant colors, never need painting, and won't flake, rot, blister, peel, pit or corrode.\*

- Trim is available to complement a wide range of architectural styles
- Trim can be ordered as preassembled surrounds, in precut kits or as individual components
- Innovative trim attachment flange on A-Series windows allows preassembled exterior trim surrounds to be installed in seconds
- Installed independent of the window or door's water management system

## EXTERIOR COLOR OPTIONS



White



Canvas



Sandtone



Prairie Grass



Terratone



Forest Green



Dove Gray



Dark Bronze



Cocoa Bean



Red Rock



Black

**Select any combination of the colors shown here for your exterior frame, sash or panel, and trim.**

\*See the A-Series Limited Warranty for exterior trim applied to A-Series products. Visit [andersenwindows.com/warranty](http://andersenwindows.com/warranty) or contact your Andersen supplier.

Printing limitations prevent exact color duplication. See your Andersen supplier for actual color samples.



**EXTERIOR TRIM THAT FITS WINDOWS, PATIO DOORS AND YOUR VISION**

Exterior trim adds a finishing touch to your windows or doors and is often essential in achieving authentic architectural style. You can match the color of your windows or doors, or complement them with a different color. Durable A-Series exterior trim is low-maintenance and never needs painting.



Flat exterior trim with cornice head, color: White

Frame exterior color: Cocoa Bean

Sash exterior color: Cocoa Bean

**EXTERIOR TRIM OPTIONS**



**2" (51) Brick Mould**  
in Canvas color



**3 1/2" (89) or 4 1/2" (114) Flat**  
in Terratone color



**3 1/2" (89) or 4 1/2" (114) Flat with extended top**  
in Red Rock color



**3 1/2" (89) or 4 1/2" (114) Flat with decorative drip cap**  
in Forest Green color



**3 1/2" (89) or 4 1/2" (114) Flat with 2" (51) cornice top**  
in Prairie Grass color



**3 1/2" (89) or 4 1/2" (114) Flat with 3 5/8" (92) cornice top**  
in White color

**EXTERIOR TRIM SILL OPTIONS**



**2" (51) Brick Mould with extended sill nose**  
in Terratone color



**3 1/2" (89) or 4 1/2" (114) Flat with extended sill nose**  
in Sandtone color



**3 1/2" (89) or 4 1/2" (114) Flat with extended sill nose**  
in White color



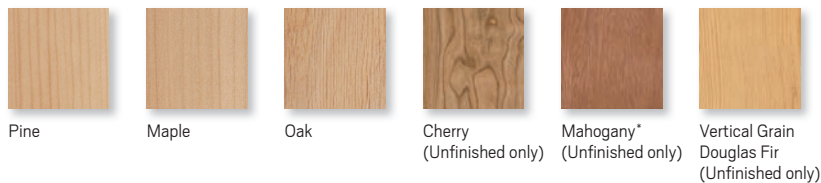
**3 1/2" (89) or 4 1/2" (114) Flat with extended sill nose**  
in Prairie Grass color

Dimensions in parentheses are in millimeters.  
Printing limitations prevent exact color duplication.  
See your Andersen supplier for actual color samples.

# INTERIOR OPTIONS TO MATCH ANY VISION

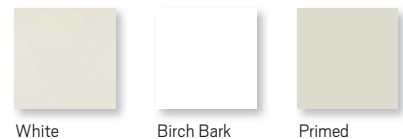
Six natural wood species. Three painted interior choices. Six rich, factory-finished stain options. Plus exclusive Andersen® hardware that adds functional beauty to any home. With A-Series products, you have the flexibility you need to create interiors that please both you and your customers.

## INTERIOR WOOD SPECIES OPTIONS



## PAINTED INTERIOR OPTIONS

AVAILABLE WITH PINE ONLY.



## STAINED INTERIOR OPTIONS

SHOWN IN MAPLE. AVAILABLE WITH PINE, MAPLE AND OAK ONLY.



\*Actual wood is Sapele, a non-endangered species of mahogany grown in Africa, with color and characteristics similar to American mahoganies.

Naturally occurring variations in grain, color and texture of wood make each window one of a kind. All wood interiors are unfinished unless a finish is specified.

Printing limitations prevent exact finish replication. Please see your Andersen supplier for actual color and finish samples.





# FUNCTIONAL BEAUTY: WINDOW HARDWARE

The hardware for our A-Series coastal windows is created exclusively for Andersen and is made of forged metal for added strength. A range of available finishes makes it easy for customers to coordinate their window hardware with their cabinet hardware, faucets and other room décor.



The tilt-in feature of the A-Series double-hung windows allows one-hand operation for easier cleaning.

## DOUBLE-HUNG HARDWARE

### TRADITIONAL

Lock & Keeper



Hand Lift



Bar Lift



Finger Lift



*Bold name denotes finish shown.*

Antique Brass  
Black  
Bright Brass  
Brushed Chrome  
Distressed Nickel  
Gold Dust

Polished Chrome  
**Satin Nickel**  
Stone  
White

## CASEMENT AND AWNING HARDWARE

### TRADITIONAL FOLDING



*Bold name denotes finish shown.*

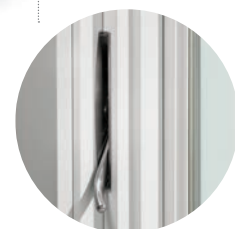
**Antique Brass**  
Black  
Bright Brass  
Brushed Chrome  
Distressed Nickel  
Gold Dust  
Polished Chrome  
Satin Nickel  
Stone  
White

### CONTEMPORARY FOLDING



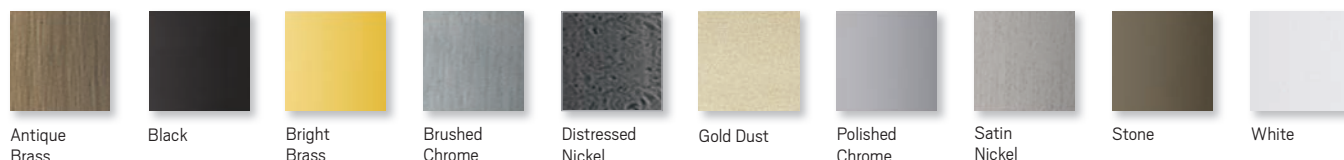
**Black**  
Bright Brass  
Gold Dust  
Satin Nickel  
Stone  
White

*Casement hardware folds in to avoid interfering with window treatments.*



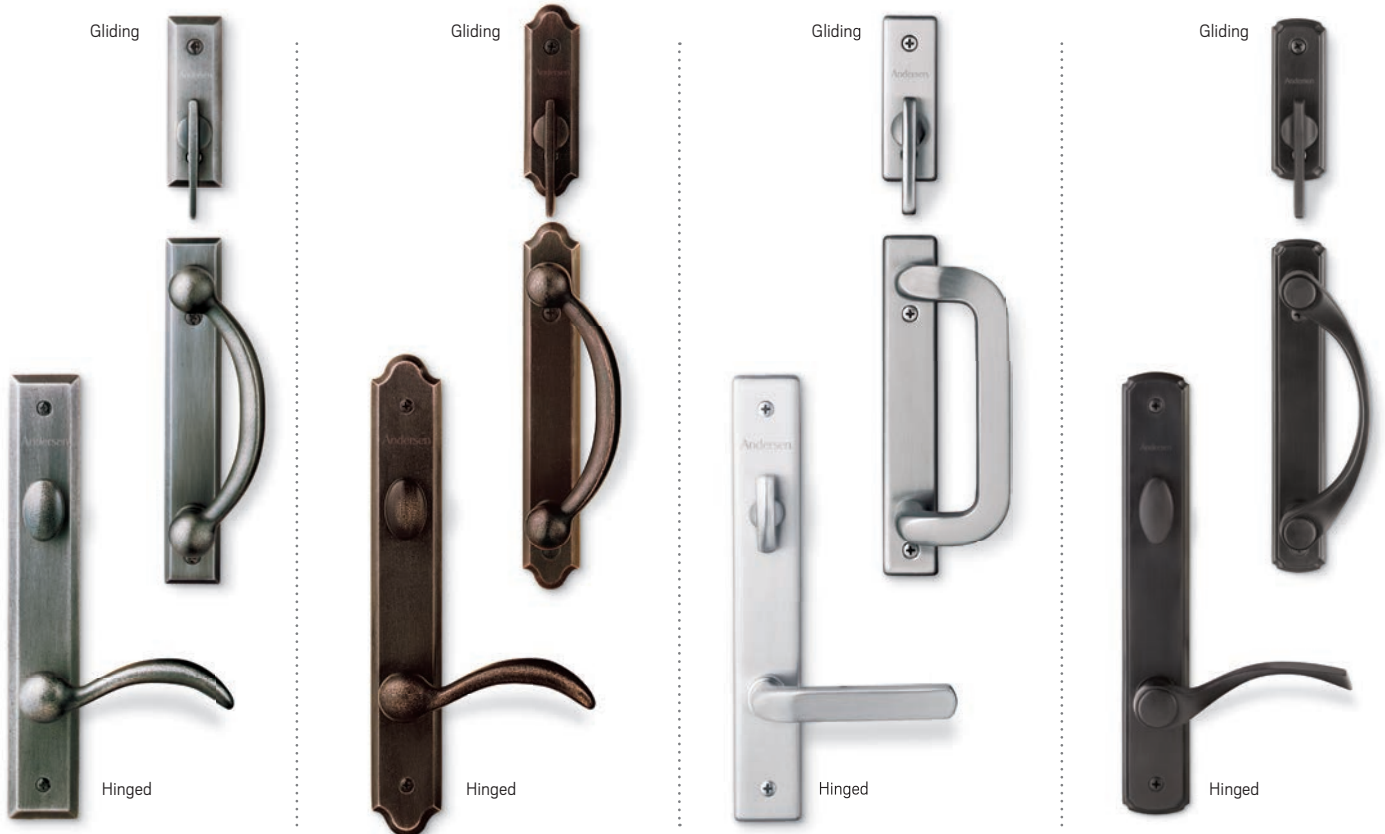
Casement locking mechanism

## WINDOW HARDWARE FINISH OPTIONS



Oil Rubbed Bronze and Distressed Bronze window hardware finishes not available at this time. Printing limitations prevent exact finish replication. See your Andersen supplier for actual finish samples.

# FUNCTIONAL BEAUTY: DOOR HARDWARE



**YUMA®**

Distressed Bronze  
**Distressed Nickel**

**ENCINO®**

**Distressed Bronze**  
Distressed Nickel

**ANVERS®**

Bright Brass  
Oil Rubbed Bronze  
**Satin Nickel**

**NEWBURY®**

Antique Brass  
Bright Brass  
Brushed Chrome  
**Oil Rubbed Bronze**  
Polished Chrome  
Satin Nickel

*Bold name denotes  
finish shown.*

## HARDWARE FOR EVERY DOOR. STYLES FOR EVERY PERSON.

A-Series coastal patio door hardware is available in eight different variations to match virtually any style. Yuma,® Encino,® Anvers,® Newbury,® Covington™ and Whitmore® hardware options each feature solid, forged brass for added

strength, while Albany and Tribeca® hardware options are made of diecast zinc with durable powder-coated finishes. Additional hardware options such as exterior keyed locks, matching hinge finishes and more are also available.

Printing limitations prevent exact finish replication. Please see your Andersen supplier for actual finish samples.



Yuma® hinged door hardware in Distressed Nickel finish.



**COVINGTON™**

- Antique Brass
- Bright Brass**
- Oil Rubbed Bronze

**WHITMORE®**

- Antique Brass**
- Bright Brass
- Oil Rubbed Bronze
- Satin Nickel

**ALBANY**

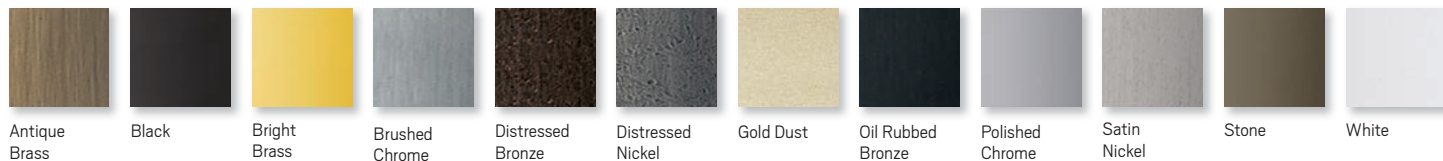
- Black
- Gold Dust**
- Stone
- White

**TRIBECA®**

- Stone
- White**

*Bold name denotes finish shown.*

**DOOR HARDWARE FINISH OPTIONS**



Distressed Bronze and Oil Rubbed Bronze are "living" finishes that will change with time and use. Printing limitations prevent exact finish replication. Please see your Andersen supplier for actual finish samples.

# BEST-IN-CLASS GLASS



A-Series products with Stormwatch® protection come standard with Low-E4® laminated glass. We also offer a graduated combination of upgrades that allow you to order the exact glass you need to comply with virtually any coastal building code

requirement.\* Many A-Series windows and doors meet ENERGY STAR® Version 5.0 criteria in all 50 states. Visit [andersenwindows.com/energystar](http://andersenwindows.com/energystar) to verify that your product and glass selections meet ENERGY STAR® criteria in your area.



**LOW-E4® IMPACT-RESISTANT GLASS** provides all the benefits of monolithic impact-resistant glass (shown far right), while adding an insulating air space that helps keep homes cool in the summer and warm in the winter.



**LOW-E4 SMARTSUN™ IMPACT-RESISTANT GLASS** delivers the benefits of Low-E4® glass, plus it helps shield homes from the sun's heat and filters out 95% of harmful UV rays while letting the sunlight shine through.



**LOW-E4 SUN IMPACT-RESISTANT GLASS** is tinted for maximum protection from the effects of intense sunlight and provides all the benefits of Low-E4 glass.



**MONOLITHIC IMPACT-RESISTANT GLASS** for patio doors is reinforced with a clear plastic laminate sandwiched between two panes to resist impact, forced entry and unwanted noise. Choose from clear or gray. **Not available on A-Series windows.**

Non-impact-resistant glass options are also available for A-Series patio doors with Performance Grade (PG) upgrades. Visit [andersenwindows.com](http://andersenwindows.com) or see your Andersen supplier.

## PERFORMANCE COMPARISON OF ANDERSEN® IMPACT-RESISTANT GLASS OPTIONS

GLASS	ENERGY		LIGHT	
	U-FACTOR	SOLAR HEAT GAIN COEFFICIENT	VISIBLE LIGHT TRANSMITTANCE	UV PROTECTION
	How well a product prevents heat from escaping.	How well a product blocks heat caused by sunlight.	How much visible light comes through a product.	How well a product blocks ultraviolet rays.
<b>SmartSun™</b> Our best overall thermal performance.	● ● ● ○	● ● ● ●	● ● ● ○	● ● ● ●
<b>Low-E4®</b> Outstanding overall thermal performance for climates where both heating and cooling costs are a concern.	● ● ● ○	● ● ● ○	● ● ● ○	● ● ● ○
<b>Sun**</b> Outstanding thermal performance in southern climates where less solar heat gain is desired.	● ● ● ○	● ● ● ●	● ○ ○ ○	● ● ● ○
<b>Clear Monolithic†</b> Clear plastic laminate between two panes to resist impact, forced entry, sun damage and unwanted noise.	○ ○ ○ ○	○ ○ ○ ○	● ● ● ●	● ● ○ ○
<b>Gray Monolithic‡</b> All the benefits of Clear Monolithic glass but tinted to further block heat caused by sunlight.	○ ○ ○ ○	● ○ ○ ○	● ● ○ ○	● ● ● ○



### TIME-SAVING TRANSLUCENT FILM

We help protect all of our products during delivery and construction with a translucent film on the glass. It also minimizes time spent masking on the jobsite, then peels away for a virtually spotless window. For details, contact your Andersen supplier.

\*See your local code official for building code requirements in your area.  
 \*\*Low-E4® Sun impact-resistant glass and Gray Monolithic impact-resistant glass each satisfy Florida Turtle Code.  
 †Clear Monolithic and Gray Monolithic are available in A-Series Frenchwood® patio doors only.  
 Chart data based on casement windows without grilles.



# OUR INSECT SCREENS COME IN DIFFERENT TYPES. JUST LIKE INSECTS DO.

Optional insect screens are available for all A-Series products. Patio doors feature Andersen® fiberglass insect screens. For windows, choose aluminum insect screens or TruScene® insect screens for a more unobstructed view.



## TRUSCENE® INSECT SCREENS

Made with a micro-fine stainless steel mesh, exclusive Andersen TruScene insect screens provide more than 50% greater clarity than our conventional insect screens. And they let in more fresh air and sunlight, while doing a better job of keeping out small insects. Exterior TruScene insect screen frames are available in all standard colors. Interior insect screens are available with prefinished wood frames.



TruScene insect screens are not available on patio doors. All comparisons are made to Andersen aluminum insect screens.

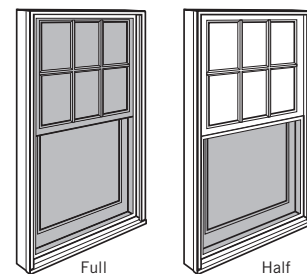
## PREFINISHED WOOD FRAME OPTIONS

Casement and awning frames of TruScene insect screens are available in six wood veneers and six stain colors to match the interior finish. Pine frame with clear finish is shown.



## WINDOW CONFIGURATIONS

Full insect screens are available for all operating A-Series coastal windows. Our double-hung windows also have the option of insect screens that cover only the lower sash.



## FRAME OPTIONS FOR ALUMINUM INSECT SCREENS

For casement and awning windows, aluminum insect screen frames are available in Stone, White or Gold Dust. Insect screen frames for all other windows are installed on the exterior of the window and match the unit's exterior color.



Stone



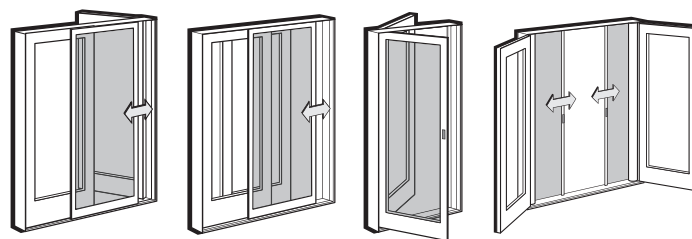
White



Gold Dust

## PATIO DOOR INSECT SCREEN CONFIGURATIONS

A-Series patio door insect screens are available in several styles, including a new top-hung gliding design for gliding and hinged doors.



Top-Hung Gliding shown on inswing door. Also available for two- and four-panel gliding doors.

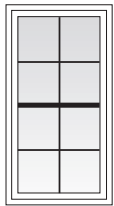
Gliding shown on gliding door. Also available for four-panel gliding and two-panel inswing doors.

Hinged shown on inswing door. Also available for two-panel inswing doors.

Retractable shown on outswing door. Also available for single-panel door. Retractable also available for gliding doors.

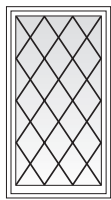
# A-SERIES GRILLES FOR EVERY HOME

Andersen® A-Series windows and doors with Stormwatch® protection offer a variety of architecturally authentic grille types and standard grille patterns. We'll also work with you to provide your customers with custom grille designs for a signature look.

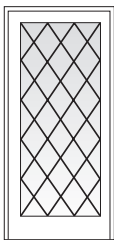


Simulated  
Double-Hung

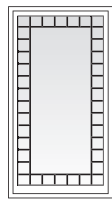
Our 2 1/4" (57) grille can make a casement window look like a double-hung window.



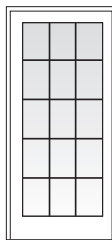
Diamond



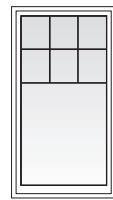
Queen Anne



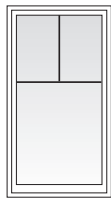
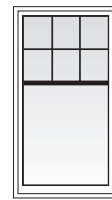
Colonial



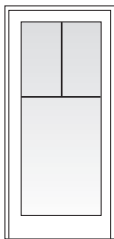
Modified Colonial



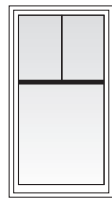
Modified Colonial  
with 2 1/4" rail\*



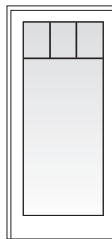
Tall Fractional



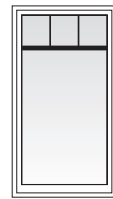
Tall Fractional  
with 2 1/4" rail\*



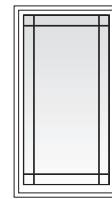
Short Fractional



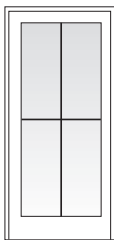
Short Fractional  
with 2 1/4" rail\*



Prairie

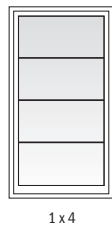


2x2

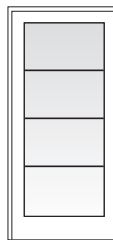


2x2

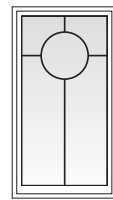
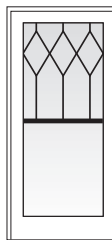
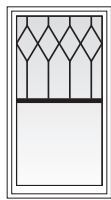
Specified  
Equal Light\*\*



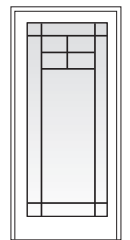
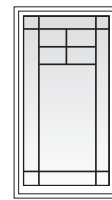
1x4



1x4



Custom Patterns

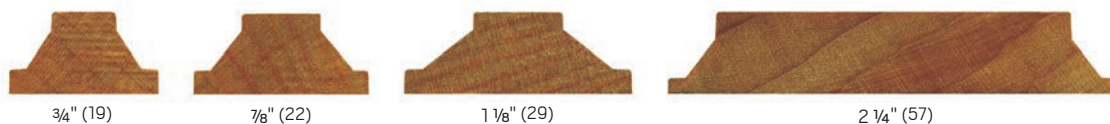


\*Horizontal rails are also available in 7/8" (22) and 1 1/4" (32) custom widths.  
\*\*Specify number of same-size rectangles across or down. Some restrictions may apply.  
Dimensions in parentheses are in millimeters.  
Some grille patterns not available in all configurations and products.



## GRILLE WIDTHS (ACTUAL SIZE SHOWN)

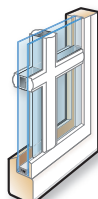
Shown: Cross sections of grilles showing standard widths and profiles.



## GRILLE CONFIGURATIONS

### FULL DIVIDED LIGHT

Give any window an authentic look with full divided light grilles that are permanently applied to the interior and exterior of your window with a spacer between the glass.



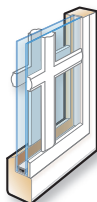
Permanent Exterior  
Permanent Interior with Spacer

### SIMULATED DIVIDED LIGHT

Simulated divided light offers permanent grilles on the exterior and interior with no spacer between the glass. We also offer permanent exterior grilles with removable interior grilles, available in natural wood or prefinished white.



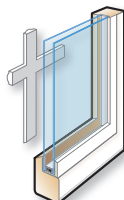
Permanent Exterior  
Removable Interior



Permanent Exterior  
Permanent Interior

### CONVENIENT CLEANING OPTIONS

Removable interior grilles come off for easy cleaning. Andersen® Finelight™ grilles are installed between the glass panes and feature a contoured 3/4" (19) profile.



Removable  
Interior Grille

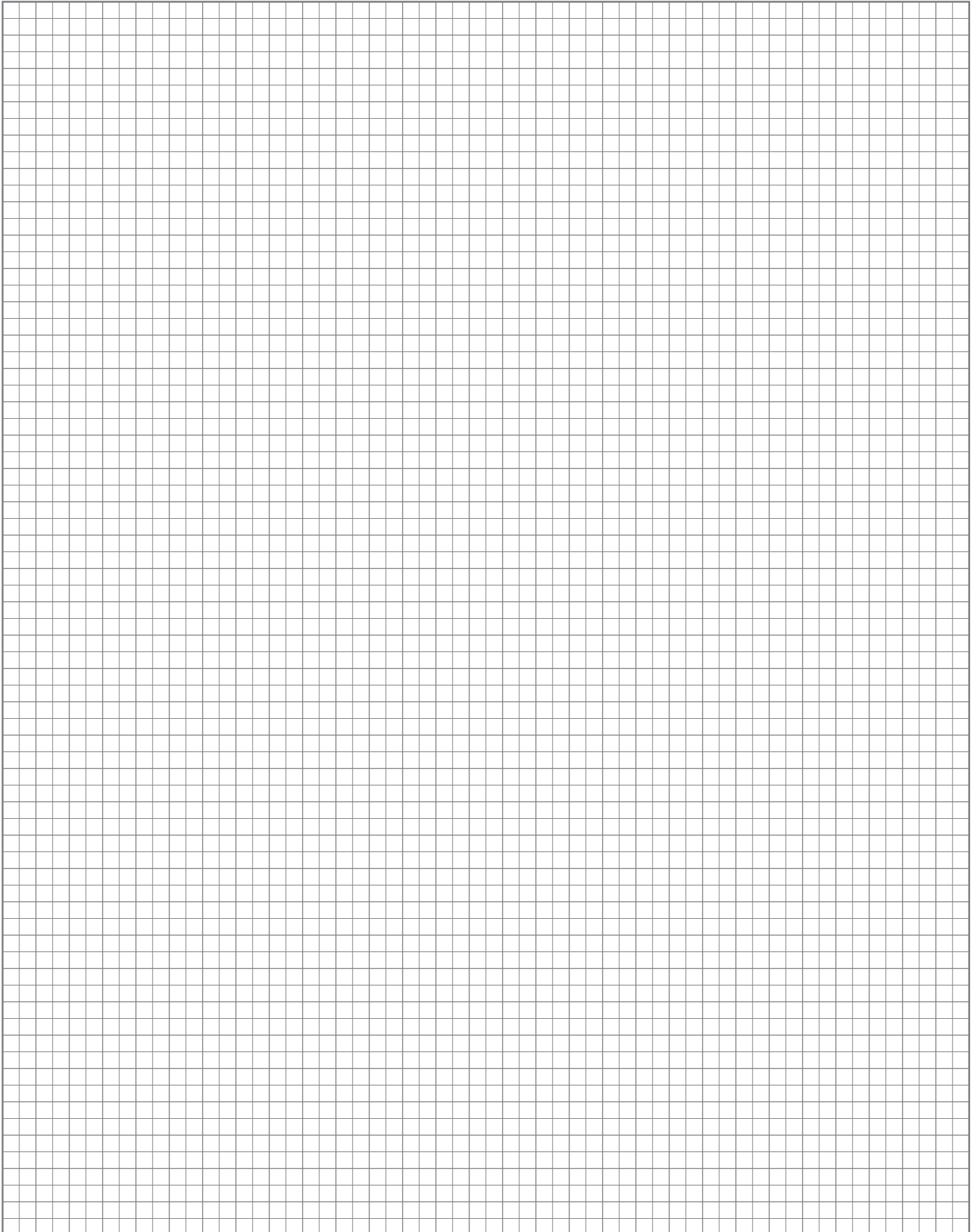


Finelight Grilles-  
Between-the-Glass\*



\*7/8" (22), 1 1/8" (29) and 2 1/4" (57) not available in Finelight Grilles-Between-the-Glass. Dimensions in parentheses are in millimeters.

# NOTES





# WINDOWS

**CUSTOM SIZING!**  
in 1/8" (3) increments



## SECTION REFERENCE

### Casement

Table of Sizes..... 25  
Specifications ..... 26–27  
Grille Patterns ..... 27  
Window Details ..... 27

### Awning

Table of Sizes..... 28  
Specifications ..... 29–30  
Grille Patterns ..... 28  
Window Details ..... 30

### Double-Hung

Table of Sizes..... 31–32  
Specifications ..... 33–35  
Grille Patterns ..... 32  
Window Details ..... 35

### Picture

Table of Sizes..... 36–39  
Specifications ..... 38–41  
Grille Patterns ..... 41  
Window Details ..... 41

### Transoms

Table of Sizes..... 42–45  
Specifications ..... 44–47  
Grille Patterns ..... 48  
Window Details ..... 48

Joining Details..... 49–51  
Custom Sizing..... 52–53  
Combination Designs ..... 193–202  
Performance Data..... 203–215  
Warranty..... 220

Dimensions in parentheses are in millimeters.

## FEATURES

### CASEMENT & AWNING

#### Frame

**A** Frame constructed with a wood core and a Fibrex® composite exterior material. This construction produces a rigid frame and a low-maintenance durable exterior.

Factory-applied installation clips are standard for anchoring to the building. See page 23 for details.

**B** Wood members are treated with a water-repellent preservative for long-lasting\* protection and performance.

**C** The weatherstripping system combines an exterior watershed design and a foam weatherstrip seal between the sash and frame, providing a long-lasting\* energy-efficient barrier against wind, water and dust.

**D** A factory-applied rigid vinyl flange helps seal the unit to the structure. Available in a standard design or in a trim flange design. The trim flange allows for Andersen® exterior trim surrounds to be applied in seconds after window installation.

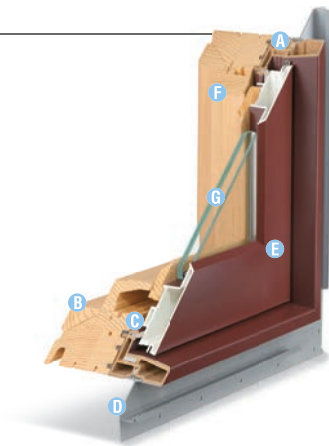
#### Sash

**E** Fiberglass construction provides durable, strong and long-lasting\* performance. Finished with a Flexacron® paint system. This stabilized polyester paint is electrostatically applied for maximum protection and a lustrous, low-maintenance finish.

Traditional architectural style:

- Classic chamfer detailing
- The look of mortise-and-tenon joinery
- Tall bottom rail on casement window aligns with double-hung and picture windows for common sight lines

**F** Natural wood interiors are treated with a water-repellent preservative for long-lasting\* protection and performance. Interior stops are fastened using a nailless compression fit system so there are no nail holes to fill. Stops are available prefinished.



#### G Glass

See page 23 for details.

#### Hardware

Smooth operation provided by a worm gear drive design makes opening and closing almost effortless regardless of unit size. Also available with an optional split-arm operator that moves the sash away from the frame for easier glass cleaning (not available on all sizes).



Single-action lock easily releases all locking points on casement sash while the reach-out action eliminates binding when closing. The lock handle is offered in finishes that coordinate with your specified hardware style.

Awning windows feature dual sash locks. Hardware style and finish options are compatible with Andersen casement windows to ensure consistency in appearance when used in combination designs.

### DOUBLE-HUNG

#### Frame

**A** Frame constructed with a wood core and a Fibrex composite exterior material. This construction produces a rigid frame and a low-maintenance durable exterior.

Factory-applied installation clips are standard for anchoring to the building. See page 23 for details.

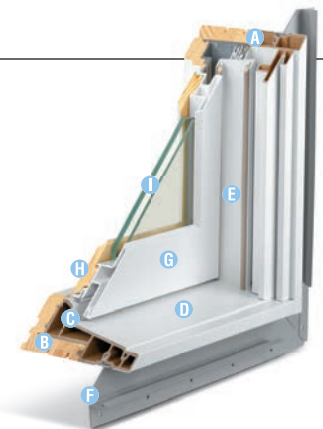
**B** Wood members are treated with a water-repellent preservative for long-lasting\* protection and performance.

**C** The dual weatherstripping system utilizes a double foam-filled design that creates a pressure equalization chamber, knocking down driving rain and delivering a long-lasting\* energy-efficient barrier against wind, water and dust.

**D** Traditional sloped sill design.

**E** For units with White exterior, exterior jamb liner is White. For all other exterior colors, the exterior jamb liner is Sandtone.

**F** A factory-applied rigid vinyl flange helps seal the unit to the structure. Available in a standard design or in a trim flange design. The trim flange allows for Andersen exterior trim surrounds to be applied in seconds after window installation.



**H** Natural wood interiors are treated with a water-repellent preservative for long-lasting protection and performance.

#### Sash Options



Cottage Style



Reverse Cottage Style

#### I Glass

See page 23 for details.

#### Hardware



Dual locks with traditional spoon and keeper lock design have an easy *Tilt to Clean* feature integrated into the lock.

#### Sash

**G** Fiberglass construction provides durable, strong and long-lasting\* performance. Finished with a Flexacron® paint system. This stabilized polyester paint is electrostatically applied for maximum protection and a lustrous, low-maintenance finish.

Traditional architectural style:

- Classic chamfer detailing
- The look of mortise-and-tenon joinery
- Tall bottom rail on double-hung window aligns with casement and picture windows for common sight lines

\*Visit [andersenwindows.com/warranty](http://andersenwindows.com/warranty) or contact your Andersen supplier for details on the A-Series Limited Warranty.

Dimensions in parentheses are in millimeters.

"Flexacron" is a registered trademark of PPG Industries, Inc.



## PICTURE WINDOWS

### Frame

Frame constructed with a wood core and fiberglass exterior. This construction produces a rigid frame and a low-maintenance durable exterior.

Factory-applied installation clips are standard for anchoring to the building. See below for details.

Wood members are treated with a water-repellent preservative for long-lasting\* protection and performance.

A factory-applied rigid vinyl flange helps seal the unit to the structure. Available in a standard design or in a trim flange design. The trim flange allows for Andersen® exterior trim surrounds to be applied in seconds after window installation.

### Sash

Fiberglass construction provides durable, strong and long-lasting\* performance. Finished with a Flexacron® paint system. This stabilized polyester paint is electrostatically applied for maximum protection and a lustrous, low-maintenance finish.

Traditional architectural style:

- Classic chamfer detailing
- The look of mortise-and-tenon joinery
- Tall bottom rail on picture window aligns with casement and double-hung windows for common sight lines

Natural wood interiors are treated with a water-repellent preservative for long-lasting\* protection and performance.

### Glass

See below for details.

## VENTING & STATIONARY TRANSOMS

### Frame

Frame constructed with a wood core and a Fibrex® composite exterior material. This construction produces a rigid frame and a low-maintenance, durable exterior.

Factory-applied installation clips are standard for anchoring to the building. See below for details.

Wood members are treated with a water-repellent preservative for long-lasting\* protection and performance.

The weatherstripping system combines an exterior watershed design and a foam weatherstrip seal between the sash and frame, providing a long-lasting\* energy-efficient barrier against wind, water and dust.

A factory-applied rigid vinyl flange helps seal the unit to the structure. Available in a standard design or in a trim flange design. The trim flange allows for Andersen exterior trim surrounds to be applied in seconds after window installation.

### Sash

Fiberglass construction provides durable, strong and long-lasting\* performance. Finished with a Flexacron paint system. This stabilized polyester paint is electrostatically applied for maximum protection and a lustrous, low-maintenance finish.

Traditional architectural style:

- Classic chamfer detailing
- The look of mortise-and-tenon joinery

Natural wood interiors are treated with a water-repellent preservative for long-lasting\* protection and performance.

### Glass

See below for details.

### Hardware

Smooth operation provided by a worm gear drive design makes opening and closing almost effortless regardless of unit size.

Venting transoms feature dual sash locks. Hardware style and finish options are compatible with Andersen casement windows to ensure consistency in appearance when used in combination designs.

## COMMON FEATURES

### Glass

¾" (19) impact-resistant glass construction provides exceptional energy performance, sound control and added security.

A removable translucent film helps shield the glass from damage during delivery and construction and simplifies finishing at the jobsite.

High-performance impact-resistant glass options include:

- Low-E4® impact-resistant glass
- Low-E4 SmartSun™ impact-resistant glass
- Low-E4 Sun impact-resistant glass
- Low-E4 tempered impact-resistant glass options available

### Installation Clip



Mounted around the perimeter of the unit, factory-applied installation clips rotate into position and can be bent into place against the framing members to suit all jamb conditions.

\*Visit [andersenwindows.com/warranty](http://andersenwindows.com/warranty) or contact your Andersen supplier for details on the A-Series Limited Warranty.

Dimensions in parentheses are in millimeters.

“Flexacron” is a registered trademark of PPG Industries, Inc.

## EXTERIOR



White Canvas Sandtone Prairie Grass Terratone Forest Green



Dove Gray Dark Bronze Cocoa Bean Red Rock Black

## HARDWARE FINISHES



Antique Brass Black Bright Brass Brushed Chrome Distressed Nickel Gold Dust



Polished Chrome Satin Nickel Stone White

## DOUBLE-HUNG HARDWARE

### TRADITIONAL



Lock & Keeper



Hand Lift



Bar Lift



Finger Lift

Antique Brass | Black | Bright Brass  
Brushed Chrome | Distressed Nickel | Gold Dust  
Polished Chrome | **Satin Nickel** | Stone | White

*Bold name denotes finish shown.*

## ACCESSORIES

### Frame

#### Extension Jamb

Extension jambs are available in six wood species, precut to fit your unit. Available in 1/16" (1.5) increments up to 7 1/8" (181) and can be prefinished to match the interior finish of the unit. This option is also available factory applied.

#### Stools for Double-Hung Windows

Available in six wood species, and all prefinished options. Stools are available in 4 9/16" (116), 5 1/4" (133), 6 5/16" (167) and 7 7/8" (181) depths.

### Grilles

Grilles are available in a variety of configurations and widths. For window grille patterns see pages 27, 28, 32, 41 and 48.

### Exterior Trim

This product is available with Andersen® Exterior Trim. See pages 129–136 for details.

### Hardware

#### Corrosion-Resistant Hinges, Screws and Operators

Casement, awning and venting transoms give you the option of austenitic stainless steel components and are recommended for applications within two miles of the coast and for other harsh environments.

#### Opening Control Device

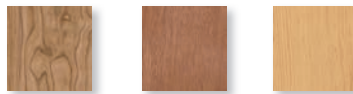
A Window Opening Control Device is available for most A-Series venting windows, which limits opening the sash to less than 4" (102) when the window is first opened.

## INTERIOR

### INTERIOR WOOD SPECIES

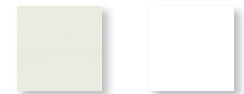


Pine Maple Oak



Cherry (Unfinished only) Mahogany\* (Unfinished only) Vertical Grain Douglas Fir (Unfinished only)

### PAINTED INTERIORS



White Birch Bark



Primed

### FACTORY-FINISHED INTERIORS



Clear Coat Honey Cinnamon Russet Mocha Espresso

Naturally occurring variations in grain, color and texture of wood make each window one of a kind. All wood interiors are unfinished unless a finish is specified.

## CASEMENT, AWNING & VENTING TRANSOM HARDWARE

### CONTEMPORARY FOLDING



**Black** | Bright Brass  
Gold Dust | Satin Nickel  
Stone | White

### TRADITIONAL FOLDING



**Antique Brass** | Black | Bright Brass  
Brushed Chrome | Distressed Nickel | Gold Dust  
Polished Chrome | Satin Nickel | Stone | White

Folding handle avoids interference with window decorating treatments.

*Bold name denotes finish shown.*

\*Actual wood is Sapele, a non-endangered species of mahogany grown in Africa, with color and characteristics similar to American mahoganies.

Dimensions in parentheses are in millimeters.

Printing limitations prevent exact duplication of colors and finishes. See your Andersen supplier for actual color and finish samples.





## Casement Window Opening and Area Specifications

Window Number	Clear Opening Sq. Ft./ (m <sup>2</sup> )	Clear Opening in Full Open Position		Glass Area Sq. Ft./ (m <sup>2</sup> )	Vent Sq. Ft./ (m <sup>2</sup> )	Top of Subfloor to Top of Inside Sill Stop Inches/ (mm)	Overall Window Area Sq. Ft./ (m <sup>2</sup> )
		Width Inches/ (mm)	Height Inches/ (mm)				
ACW1828	1.75 (0.16)	9 13/16" (249)	25 5/8" (651)	2.08 (0.19)	2.54 (0.24)	54 1/16" (1373)	4.18 (0.39)
ACW1830	2.02 (0.19)	9 13/16" (249)	29 5/8" (752)	2.43 (0.23)	2.94 (0.27)	50 1/16" (1272)	4.71 (0.44)
ACW1834	2.29 (0.21)	9 13/16" (249)	33 5/8" (854)	2.78 (0.26)	3.34 (0.31)	46 1/16" (1170)	5.25 (0.49)
ACW1838	2.57 (0.24)	9 13/16" (249)	37 5/8" (956)	3.13 (0.29)	3.74 (0.35)	42 1/16" (1068)	5.78 (0.54)
ACW1840	2.84 (0.26)	9 13/16" (249)	41 5/8" (1057)	3.48 (0.32)	4.13 (0.38)	38 1/16" (967)	6.32 (0.59)
ACW1844	3.11 (0.29)	9 13/16" (249)	45 5/8" (1159)	3.83 (0.36)	4.53 (0.42)	34 1/16" (865)	6.85 (0.64)
ACW1848	3.39 (0.31)	9 13/16" (249)	49 5/8" (1260)	4.18 (0.39)	4.93 (0.46)	30 1/16" (764)	7.39 (0.69)
ACW1850	3.66 (0.34)	9 13/16" (249)	53 5/8" (1362)	4.53 (0.42)	5.32 (0.49)	26 1/16" (662)	7.92 (0.74)
ACW1854	3.93 (0.37)	9 13/16" (249)	57 5/8" (1464)	4.88 (0.45)	5.72 (0.53)	22 1/16" (560)	8.46 (0.79)
ACW1858	3.55 (0.33)	8 5/16" (211)	61 5/8" (1565)	5.23 (0.49)	6.12 (0.57)	18 1/16" (459)	8.99 (0.84)
ACW1860	3.78 (0.35)	8 5/16" (211)	65 5/8" (1667)	5.58 (0.52)	6.52 (0.61)	14 1/16" (357)	9.52 (0.88)
ACW2028	2.46 (0.23)	13 13/16" (351)	25 5/8" (651)	2.74 (0.25)	3.25 (0.30)	54 1/16" (1373)	5.05 (0.47)
ACW2030	2.84 (0.26)	13 13/16" (351)	29 5/8" (752)	3.20 (0.30)	3.76 (0.35)	50 1/16" (1272)	5.69 (0.53)
ACW2034	3.23 (0.30)	13 13/16" (351)	33 5/8" (854)	3.67 (0.34)	4.27 (0.40)	46 1/16" (1170)	6.34 (0.59)
ACW2038	3.61 (0.34)	13 13/16" (351)	37 5/8" (956)	4.13 (0.38)	4.78 (0.44)	42 1/16" (1068)	6.98 (0.65)
ACW2040	4.00 (0.37)	13 13/16" (351)	41 5/8" (1057)	4.59 (0.43)	5.29 (0.49)	38 1/16" (967)	7.63 (0.71)
ACW2044	4.38 (0.41)	13 13/16" (351)	45 5/8" (1159)	5.05 (0.47)	5.80 (0.54)	34 1/16" (865)	8.27 (0.77)
ACW2048	4.24 (0.39)	12 5/16" (313)	49 5/8" (1260)	5.51 (0.51)	6.31 (0.59)	30 1/16" (764)	8.92 (0.83)
ACW2050	4.58 (0.43)	12 5/16" (313)	53 5/8" (1362)	5.97 (0.55)	6.81 (0.63)	26 1/16" (662)	9.57 (0.89)
ACW2054	4.92 (0.46)	12 5/16" (313)	57 5/8" (1464)	6.43 (0.60)	7.32 (0.68)	22 1/16" (560)	10.21 (0.95)
ACW2058	5.26 (0.49)	12 5/16" (313)	61 5/8" (1565)	6.89 (0.64)	7.83 (0.73)	18 1/16" (459)	10.86 (1.01)
ACW2060	5.61 (0.52)	12 5/16" (313)	65 5/8" (1667)	7.35 (0.68)	8.34 (0.77)	14 1/16" (357)	11.50 (1.07)
ACW2428	2.90 (0.27)	16 5/16" (414)	25 5/8" (651)	3.40 (0.32)	3.97 (0.37)	54 1/16" (1373)	5.91 (0.55)
ACW2430	3.35 (0.31)	16 5/16" (414)	29 5/8" (752)	3.98 (0.37)	4.58 (0.43)	50 1/16" (1272)	6.67 (0.62)
ACW2434	3.80 (0.35)	16 5/16" (414)	33 5/8" (854)	4.55 (0.42)	5.20 (0.48)	46 1/16" (1170)	7.43 (0.69)
ACW2438	4.26 (0.40)	16 5/16" (414)	37 5/8" (956)	5.12 (0.48)	5.82 (0.54)	42 1/16" (1068)	8.18 (0.76)
ACW2440 ◊*	5.93 (0.55)	20 1/2" (521)	41 5/8" (1057)	5.69 (0.53)	6.44 (0.60)	38 1/16" (967)	8.94 (0.83)
ACW2444 ◊*	6.50 (0.60)	20 1/2" (521)	45 5/8" (1159)	6.27 (0.58)	7.06 (0.66)	34 1/16" (865)	9.70 (0.90)
ACW2448 ◊*	7.07 (0.66)	20 1/2" (521)	49 5/8" (1260)	6.84 (0.64)	7.68 (0.71)	30 1/16" (764)	10.46 (0.97)
ACW2450 ◊*	7.64 (0.71)	20 1/2" (521)	53 5/8" (1362)	7.41 (0.69)	8.30 (0.77)	26 1/16" (662)	11.21 (1.04)
ACW2454 ◊*	8.21 (0.76)	20 1/2" (521)	57 5/8" (1464)	7.98 (0.74)	8.92 (0.83)	22 1/16" (560)	11.97 (1.11)
ACW2458 ◊*	8.78 (0.82)	20 1/2" (521)	61 5/8" (1565)	8.55 (0.79)	9.54 (0.89)	18 1/16" (459)	12.73 (1.18)
ACW2460 ◊*	9.35 (0.87)	20 1/2" (521)	65 5/8" (1667)	9.13 (0.85)	10.16 (0.94)	14 1/16" (357)	13.48 (1.25)
ACW2628	3.25 (0.30)	18 5/16" (465)	25 5/8" (651)	3.74 (0.35)	4.32 (0.40)	54 1/16" (1373)	6.35 (0.59)
ACW2630	3.76 (0.35)	18 5/16" (465)	29 5/8" (752)	4.36 (0.41)	5.00 (0.46)	50 1/16" (1272)	7.16 (0.67)
ACW2634	4.27 (0.40)	18 5/16" (465)	33 5/8" (854)	4.99 (0.46)	5.67 (0.53)	46 1/16" (1170)	7.97 (0.74)
ACW2638 ◊*	5.88 (0.55)	22 1/2" (572)	37 5/8" (956)	5.62 (0.52)	6.35 (0.59)	42 1/16" (1068)	8.79 (0.82)
ACW2640 ◊*	6.50 (0.60)	22 1/2" (572)	41 5/8" (1057)	6.25 (0.58)	7.02 (0.65)	38 1/16" (967)	9.60 (0.89)
ACW2644 ◊*	7.13 (0.66)	22 1/2" (572)	45 5/8" (1159)	6.87 (0.64)	7.70 (0.72)	34 1/16" (865)	10.41 (0.97)
ACW2648 ◊*	7.75 (0.72)	22 1/2" (572)	49 5/8" (1260)	7.50 (0.70)	8.37 (0.78)	30 1/16" (764)	11.22 (1.04)
ACW2650 ◊*	8.38 (0.78)	22 1/2" (572)	53 5/8" (1362)	8.13 (0.76)	9.05 (0.84)	26 1/16" (662)	12.04 (1.12)
ACW2654 ◊*	9.01 (0.84)	22 1/2" (572)	57 5/8" (1464)	8.76 (0.81)	9.72 (0.90)	22 1/16" (560)	12.85 (1.19)
ACW2658 ◊*	9.63 (0.89)	22 1/2" (572)	61 5/8" (1565)	9.39 (0.87)	10.40 (0.97)	18 1/16" (459)	13.66 (1.27)
ACW2660 ◊*	10.26 (0.95)	22 1/2" (572)	65 5/8" (1667)	10.01 (0.93)	11.07 (1.03)	14 1/16" (357)	14.47 (1.34)
ACW2828	3.61 (0.34)	20 5/16" (516)	25 5/8" (651)	4.07 (0.38)	4.68 (0.43)	54 1/16" (1373)	6.78 (0.63)
ACW2830	4.17 (0.39)	20 5/16" (516)	29 5/8" (752)	4.75 (0.44)	5.41 (0.50)	50 1/16" (1272)	7.65 (0.71)
ACW2834	4.74 (0.44)	20 5/16" (516)	33 5/8" (854)	5.43 (0.50)	6.14 (0.57)	46 1/16" (1170)	8.52 (0.79)
ACW2838 ◊*	6.40 (0.59)	24 1/2" (622)	37 5/8" (956)	6.12 (0.57)	6.87 (0.64)	42 1/16" (1068)	9.39 (0.87)
ACW2840 ◊	5.87 (0.55)	20 5/16" (516)	41 5/8" (1057)	6.80 (0.63)	7.60 (0.71)	38 1/16" (967)	10.25 (0.95)
ACW2844 ◊	6.43 (0.60)	20 5/16" (516)	45 5/8" (1159)	7.48 (0.69)	8.33 (0.77)	34 1/16" (865)	11.12 (1.03)
ACW2848 ◊	6.99 (0.65)	20 5/16" (516)	49 5/8" (1260)	8.17 (0.76)	9.06 (0.84)	30 1/16" (764)	11.99 (1.11)
ACW2850 ◊	7.56 (0.70)	20 5/16" (516)	53 5/8" (1362)	8.85 (0.82)	9.79 (0.91)	26 1/16" (662)	12.86 (1.19)
ACW2854 ◊	9.44 (0.88)	23 19/32" (599)	57 5/8" (1464)	9.53 (0.89)	10.52 (0.98)	22 1/16" (560)	13.73 (1.28)
ACW2858 ◊	10.09 (0.94)	23 19/32" (599)	61 5/8" (1565)	10.22 (0.95)	11.25 (1.05)	18 1/16" (459)	14.59 (1.36)
ACW2860 ◊	10.75 (1.00)	23 19/32" (599)	65 5/8" (1667)	10.90 (1.01)	11.98 (1.11)	14 1/16" (357)	15.46 (1.44)
ACW21028	3.97 (0.37)	22 5/16" (567)	25 5/8" (651)	4.40 (0.41)	5.03 (0.47)	54 1/16" (1373)	7.22 (0.67)
ACW21030	4.58 (0.43)	22 5/16" (567)	29 5/8" (752)	5.14 (0.48)	5.82 (0.54)	50 1/16" (1272)	8.14 (0.76)
ACW21034	5.20 (0.48)	22 5/16" (567)	33 5/8" (854)	5.87 (0.55)	6.60 (0.61)	46 1/16" (1170)	9.06 (0.84)
ACW21038 ◊	5.82 (0.54)	22 5/16" (567)	37 5/8" (956)	6.61 (0.61)	7.39 (0.69)	42 1/16" (1068)	9.99 (0.93)
ACW21040 ◊	6.44 (0.60)	22 5/16" (567)	41 5/8" (1057)	7.35 (0.68)	8.18 (0.76)	38 1/16" (967)	10.91 (1.01)
ACW21044 ◊	7.06 (0.66)	22 5/16" (567)	45 5/8" (1159)	8.09 (0.75)	8.96 (0.83)	34 1/16" (865)	11.83 (1.10)

• "Top of Subfloor to Top of Inside Sill Stop" is calculated based upon a structural header height of 6'-10 1/2" (2096).  
• Dimensions in parentheses are in millimeters or square meters.

◊ Meet or exceed clear opening area of 5.7 sq. ft. or 0.53 m<sup>2</sup>, clear opening width of 20" (508) and clear opening height of 24" (610).

\* Available with straight arm operators only; all other sizes have split arm operators only.

continued on next page



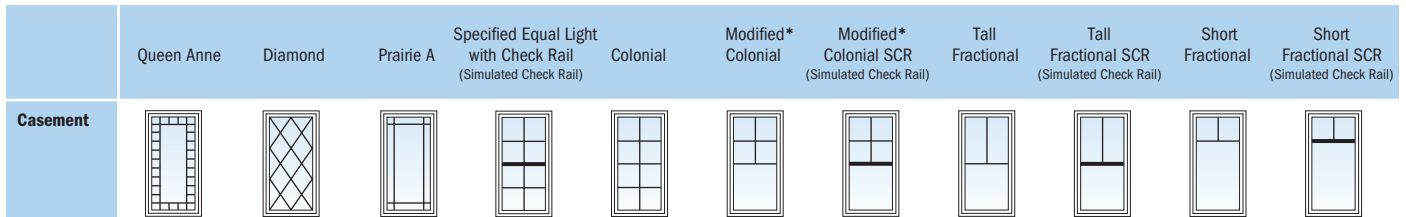
**Casement Window Opening and Area Specifications** (continued)

Window Number	Clear Opening		Clear Opening in Full Open Position		Glass Area Sq. Ft./ (m <sup>2</sup> )	Vent Sq. Ft./ (m <sup>2</sup> )	Top of Subfloor to Top of Inside Sill Stop Inches/ (mm)	Overall Window Area Sq. Ft./ (m <sup>2</sup> )
	Sq. Ft./ (m <sup>2</sup> )	Width Inches/ (mm)	Height Inches/ (mm)	Width Inches/ (mm)				
ACW21048 ◊	8.78 (0.82)	25 1/2" (648)	49 5/8" (1260)	8.83 (0.82)	9.75 (0.91)	30 1/16" (764)	12.76 (1.19)	
ACW21050 ◊	9.49 (0.88)	25 1/2" (648)	53 5/8" (1362)	9.57 (0.89)	10.54 (0.98)	26 1/16" (662)	13.68 (1.27)	
ACW21054 ◊	10.20 (0.95)	25 1/2" (648)	57 5/8" (1464)	10.31 (0.96)	11.32 (1.05)	22 1/16" (560)	14.60 (1.36)	
ACW21058 ◊	10.91 (1.01)	25 1/2" (648)	61 5/8" (1565)	11.05 (1.03)	12.11 (1.13)	18 1/16" (459)	15.53 (1.44)	
ACW21060 ◊	11.61 (1.08)	25 1/2" (648)	65 5/8" (1667)	11.79 (1.10)	12.89 (1.20)	14 1/16" (357)	16.45 (1.53)	
ACW3028	4.32 (0.40)	24 5/16" (618)	25 5/8" (651)	4.73 (0.44)	5.39 (0.50)	54 1/16" (1373)	7.65 (0.71)	
ACW3030	5.00 (0.46)	24 5/16" (618)	29 5/8" (752)	5.52 (0.51)	6.23 (0.58)	50 1/16" (1272)	8.63 (0.80)	
ACW3034	5.67 (0.53)	24 5/16" (618)	33 5/8" (854)	6.32 (0.59)	7.07 (0.66)	46 1/16" (1170)	9.61 (0.89)	
ACW3038 ◊	6.35 (0.59)	24 5/16" (618)	37 5/8" (956)	7.11 (0.66)	7.91 (0.73)	42 1/16" (1068)	10.59 (0.98)	
ACW3040 ◊	7.91 (0.73)	27 1/16" (697)	41 5/8" (1057)	7.90 (0.73)	8.75 (0.81)	38 1/16" (967)	11.57 (1.07)	
ACW3044 ◊	8.68 (0.81)	27 1/16" (697)	45 5/8" (1159)	8.70 (0.81)	9.60 (0.89)	34 1/16" (865)	12.55 (1.17)	
ACW3048 ◊	9.44 (0.88)	27 1/16" (697)	49 5/8" (1260)	9.49 (0.88)	10.44 (0.97)	30 1/16" (764)	13.52 (1.26)	
ACW3050 ◊	10.20 (0.95)	27 1/16" (697)	53 5/8" (1362)	10.29 (0.96)	11.28 (1.05)	26 1/16" (662)	14.50 (1.35)	
ACW3054 ◊	10.96 (1.02)	27 1/16" (697)	57 5/8" (1464)	11.08 (1.03)	12.12 (1.13)	22 1/16" (560)	15.48 (1.44)	
ACW3058 ◊	11.72 (1.09)	27 1/16" (697)	61 5/8" (1565)	11.88 (1.10)	12.96 (1.20)	18 1/16" (459)	16.46 (1.53)	
ACW3060 ◊	12.48 (1.16)	27 1/16" (697)	65 5/8" (1667)	12.67 (1.18)	13.81 (1.28)	14 1/16" (357)	17.44 (1.62)	

• "Top of Subfloor to Top of Inside Sill Stop" is calculated based upon a structural header height of 6'-10 1/2" (2096).  
• Dimensions in parentheses are in millimeters or square meters.

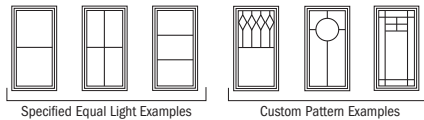
◊ Meet or exceed clear opening area of 5.7 sq. ft. or 0.53 m<sup>2</sup>, clear opening width of 20" (508) and clear opening height of 24" (610).

**Grille Patterns**



• Andersen® Finelight™ grilles available in 3/4" (19) profile only.

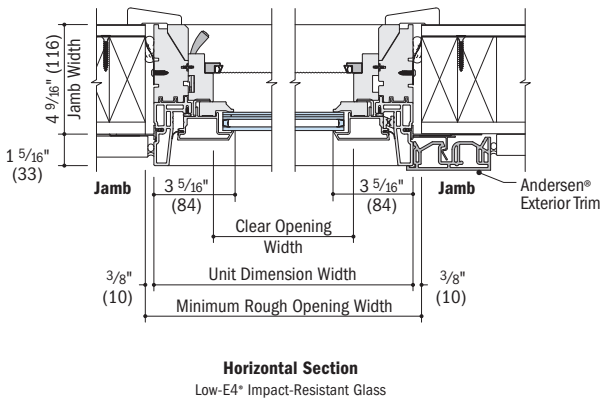
\*Location from top of window to bottom of divided light pattern is available at 8" (203)-10" (254), 12" (305), center and at custom dimensions.



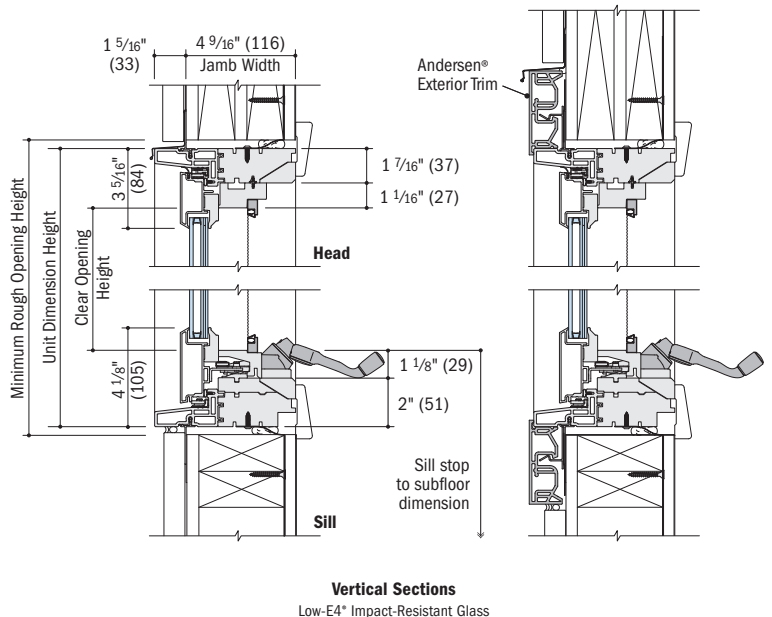
**Number of lights and overall pattern varies with window size. Patterns shown may not be available for all sizes.** Specified equal light and custom patterns are also available. For more information on divided light see pages 18-19 or visit [andersenwindows.com/grilles](http://andersenwindows.com/grilles).

**Casement Window Details**

Scale 1 1/2" (38) = 1'-0" (305) – 1:8



- 4 9/16" (116) jamb width measurement is from backside of installation flange.
- Light-colored areas are parts included with window. Dark-colored areas are additional Andersen® parts required to complete window assembly as shown.
- Dimensions in parentheses are in millimeters.
- **Rough openings may need to be increased to allow for use of building wraps, flashing, sill panning, brackets, fasteners or other items. See installation information on page 217.**
- Details are for illustration only and are not intended to represent product installation methods or materials. Refer to product installation guides at [andersenwindows.com](http://andersenwindows.com).



See pages 49-51 for horizontal and vertical joining details.

## Table of Awning Window Sizes

Scale 1/8" (3) = 1'-0" (305) – 1:96

Window Dimension	1'-7 1/4" (489)	1'-11 1/4" (591)	2'-3 1/4" (692)	2'-5 1/4" (743)	2'-7 1/4" (794)	2'-9 1/4" (845)	2'-11 1/4" (895)	3'-1 1/4" (946)	3'-3 1/4" (997)	3'-7 1/4" (1099)	3'-11 1/4" (1200)	4'-3 1/4" (1302)
<b>Minimum Rough Opening</b>	1'-8" (508)	2'-0" (610)	2'-4" (711)	2'-6" (762)	2'-8" (813)	2'-10" (864)	3'-0" (914)	3'-2" (965)	3'-4" (1016)	3'-8" (1118)	4'-0" (1219)	4'-4" (1321)
Unobstructed Glass	12 5/8" (321)	16 5/8" (422)	20 5/8" (524)	22 5/8" (575)	24 5/8" (625)	26 5/8" (676)	28 5/8" (727)	30 5/8" (778)	32 5/8" (829)	36 5/8" (930)	40 5/8" (1032)	44 5/8" (1133)

**CUSTOM WIDTHS – 1'-7 1/4" to 4'-3 1/4"**

**CUSTOM HEIGHTS – 1'-3 1/4" to 2'-11 1/4"**

1'-3 1/4" (387)	1'-4" (406)	1'-7 1/4" (489)	1'-8" (508)	1'-9 1/4" (540)	1'-10" (559)	1'-11 1/4" (591)	2'-0" (610)	2'-3 1/4" (692)	2'-4" (711)	2'-7 1/4" (794)	2'-8" (813)	2'-11 1/4" (895)	3'-0" (914)	27 13/16" (706)
AAN1814	AAN2014	AAN2414	AAN2614	AAN2814	AAN21014	AAN3014	AAN3214	AAN3414	AAN3814	AAN4014	AAN4414			
AAN1818	AAN2018	AAN2418	AAN2618	AAN2818	AAN21018	AAN3018	AAN3218	AAN3418	AAN3818	AAN4018	AAN4418			
AAN18110	AAN20110	AAN24110	AAN26110	AAN28110	AAN210110	AAN30110	AAN32110	AAN34110	AAN38110	AAN40110	AAN44110			
AAN1820	AAN2020	AAN2420	AAN2620	AAN2820	AAN21020	AAN3020	AAN3220	AAN3420	AAN3820	AAN4020	AAN4420			
AAN1824	AAN2024	AAN2424	AAN2624	AAN2824	AAN21024	AAN3024	AAN3224	AAN3424	AAN3824	AAN4024	AAN4424			
AAN1828	AAN2028	AAN2428	AAN2628	AAN2828	AAN21028	AAN3028	AAN3228	AAN3428	AAN3828	AAN4028	AAN4428			
AAN1830	AAN2030	AAN2430	AAN2630	AAN2830	AAN21030	AAN3030	AAN3230	AAN3430	AAN3830	AAN4030	AAN4430			

Window Dimension	4'-7 1/4" (1403)	4'-11 1/4" (1505)
<b>Minimum Rough Opening</b>	4'-8" (1422)	5'-0" (1524)
Unobstructed Glass	48 5/8" (1335)	52 5/8" (1337)

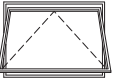
**CUSTOM WIDTHS – 4'-3 3/8" to 4'-11 1/4"**

**CUSTOM HEIGHTS – 1'-3 1/4" to 2'-7 1/4"**

1'-3 1/4" (387)	1'-4" (406)	1'-7 1/4" (489)	1'-8" (508)	1'-9 1/4" (540)	1'-10" (559)	1'-11 1/4" (591)	2'-0" (610)	2'-3 1/4" (692)	2'-4" (711)	2'-7 1/4" (794)	2'-8" (813)
AAN4814	AAN5014	AAN4818	AAN5018	AAN48110	AAN50110	AAN4820	AAN5020	AAN4824	AAN5024	AAN4828	AAN5028



Custom-size windows are available in 1/8" (3) increments. See page 53 for custom sizes and specifications.



Venting  
Available venting only.  
**Awning window must be installed to vent as shown and should not be rotated and used as a hopper.**

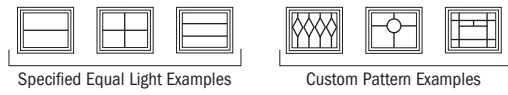
### Grille Patterns

	Diamond	Prairie A	Colonial
<b>Awning</b>			

• Andersen® Finelight™ grilles available in 3/4" (19) profile only.

**Number of lights and overall pattern varies with window size. Patterns shown may not be available for all sizes.**

Specified equal light and custom patterns are also available. For more information on divided light see pages 18-19 or visit [andersenwindows.com/grilles](http://andersenwindows.com/grilles).



• "Window Dimension" always refers to outside frame to frame dimension.  
• "Minimum Rough Opening" dimensions may need to be increased to allow for use of building wraps, flashing, sill panning, brackets, fasteners or other items. See page 217 for more details.  
• Dimensions in parentheses are in millimeters.

**Awning Window Opening and Area Specifications**

Window Number	Clear Opening Sq. Ft./ (m <sup>2</sup> )	Clear Opening in Full Open Position		Glass Area Sq. Ft./ (m <sup>2</sup> )	Vent Sq. Ft./ (m <sup>2</sup> )	Top of Subfloor to Top of Inside Sill Stop Inches/ (mm)	Overall Window Area Sq. Ft./ (m <sup>2</sup> )
		Width Inches/ (mm)	Depth Inches/ (mm)				
AAN1814	0.59 (0.05)	14 5/16" (364)	5 7/8" (149)	0.68 (0.06)	0.59 (0.05)	70 1/16" (1780)	2.04 (0.19)
AAN2014	0.75 (0.07)	18 5/16" (465)	5 7/8" (149)	0.90 (0.08)	0.75 (0.07)	70 1/16" (1780)	2.46 (0.23)
AAN2414	0.91 (0.08)	22 5/16" (567)	5 7/8" (149)	1.12 (0.10)	0.91 (0.08)	70 1/16" (1780)	2.89 (0.27)
AAN2614	0.99 (0.09)	24 5/16" (618)	5 7/8" (149)	1.22 (0.11)	0.99 (0.09)	70 1/16" (1780)	3.10 (0.29)
AAN2814	1.08 (0.10)	26 5/16" (668)	5 7/8" (149)	1.33 (0.12)	1.08 (0.10)	70 1/16" (1780)	3.31 (0.31)
AAN21014	1.16 (0.11)	28 5/16" (719)	5 7/8" (149)	1.44 (0.13)	1.16 (0.11)	70 1/16" (1780)	3.52 (0.33)
AAN3014	1.24 (0.12)	30 5/16" (770)	5 7/8" (149)	1.55 (0.14)	1.24 (0.12)	70 1/16" (1780)	3.73 (0.35)
AAN3214	1.32 (0.12)	32 5/16" (821)	5 7/8" (149)	1.66 (0.15)	1.32 (0.12)	70 1/16" (1780)	3.95 (0.37)
AAN3414	1.40 (0.13)	34 5/16" (872)	5 7/8" (149)	1.77 (0.16)	1.40 (0.13)	70 1/16" (1780)	4.16 (0.39)
AAN3814	1.57 (0.15)	38 5/16" (973)	5 7/8" (149)	1.98 (0.18)	1.57 (0.15)	70 1/16" (1780)	4.58 (0.43)
AAN4014	1.73 (0.16)	42 5/16" (1075)	5 7/8" (149)	2.20 (0.20)	1.73 (0.16)	70 1/16" (1780)	5.00 (0.46)
AAN4414	1.90 (0.18)	46 5/16" (1176)	5 7/8" (149)	2.42 (0.22)	1.90 (0.18)	70 1/16" (1780)	5.43 (0.50)
AAN4814	2.06 (0.19)	50 5/16" (1278)	5 7/8" (149)	2.63 (0.24)	2.06 (0.19)	70 1/16" (1780)	5.85 (0.54)
AAN5014	2.22 (0.21)	54 5/16" (1380)	5 7/8" (149)	2.85 (0.26)	2.22 (0.21)	70 1/16" (1780)	6.28 (0.58)
AAN1818	0.59 (0.05)	14 5/16" (364)	5 7/8" (149)	1.03 (0.10)	0.59 (0.05)	66 1/16" (1678)	2.57 (0.24)
AAN2018	0.75 (0.07)	18 5/16" (465)	5 7/8" (149)	1.36 (0.13)	0.75 (0.07)	66 1/16" (1678)	3.11 (0.29)
AAN2418	0.91 (0.08)	22 5/16" (567)	5 7/8" (149)	1.69 (0.16)	0.91 (0.08)	66 1/16" (1678)	3.64 (0.34)
AAN2618	0.99 (0.09)	24 5/16" (618)	5 7/8" (149)	1.85 (0.17)	0.99 (0.09)	66 1/16" (1678)	3.91 (0.36)
AAN2818	1.08 (0.10)	26 5/16" (668)	5 7/8" (149)	2.02 (0.19)	1.08 (0.10)	66 1/16" (1678)	4.18 (0.39)
AAN21018	1.16 (0.11)	28 5/16" (719)	5 7/8" (149)	2.18 (0.20)	1.16 (0.11)	66 1/16" (1678)	4.45 (0.41)
AAN3018	1.24 (0.12)	30 5/16" (770)	5 7/8" (149)	2.34 (0.22)	1.24 (0.12)	66 1/16" (1678)	4.71 (0.44)
AAN3218	1.32 (0.12)	32 5/16" (821)	5 7/8" (149)	2.51 (0.23)	1.32 (0.12)	66 1/16" (1678)	4.98 (0.46)
AAN3418	1.40 (0.13)	34 5/16" (872)	5 7/8" (149)	2.67 (0.25)	1.40 (0.13)	66 1/16" (1678)	5.25 (0.49)
AAN3818	1.57 (0.15)	38 5/16" (973)	5 7/8" (149)	3.00 (0.28)	1.57 (0.15)	66 1/16" (1678)	5.78 (0.54)
AAN4018	1.73 (0.16)	42 5/16" (1075)	5 7/8" (149)	3.33 (0.31)	1.73 (0.16)	66 1/16" (1678)	6.32 (0.59)
AAN4418	1.90 (0.18)	46 5/16" (1176)	5 7/8" (149)	3.66 (0.34)	1.90 (0.18)	66 1/16" (1678)	6.85 (0.64)
AAN4818	2.06 (0.19)	50 5/16" (1278)	5 7/8" (149)	3.98 (0.37)	2.06 (0.19)	66 1/16" (1678)	7.39 (0.69)
AAN5018	2.22 (0.21)	54 5/16" (1380)	5 7/8" (149)	4.31 (0.40)	2.22 (0.21)	66 1/16" (1678)	7.92 (0.74)
AAN18110	0.59 (0.05)	14 5/16" (364)	5 7/8" (149)	1.21 (0.11)	0.59 (0.05)	64 1/16" (1627)	2.84 (0.26)
AAN20110	0.75 (0.07)	18 5/16" (465)	5 7/8" (149)	1.59 (0.15)	0.75 (0.07)	64 1/16" (1627)	3.43 (0.32)
AAN24110	0.91 (0.08)	22 5/16" (567)	5 7/8" (149)	1.97 (0.18)	0.91 (0.08)	64 1/16" (1627)	4.02 (0.37)
AAN26110	0.99 (0.09)	24 5/16" (618)	5 7/8" (149)	2.17 (0.20)	0.99 (0.09)	64 1/16" (1627)	4.32 (0.40)
AAN28110	1.08 (0.10)	26 5/16" (668)	5 7/8" (149)	2.36 (0.22)	1.08 (0.10)	64 1/16" (1627)	4.61 (0.43)
AAN210110	1.16 (0.11)	28 5/16" (719)	5 7/8" (149)	2.55 (0.24)	1.16 (0.11)	64 1/16" (1627)	4.91 (0.46)
AAN30110	1.24 (0.12)	30 5/16" (770)	5 7/8" (149)	2.74 (0.25)	1.24 (0.12)	64 1/16" (1627)	5.20 (0.48)
AAN32110	1.32 (0.12)	32 5/16" (821)	5 7/8" (149)	2.93 (0.27)	1.32 (0.12)	64 1/16" (1627)	5.50 (0.51)
AAN34110	1.40 (0.13)	34 5/16" (872)	5 7/8" (149)	3.12 (0.29)	1.40 (0.13)	64 1/16" (1627)	5.79 (0.54)
AAN38110	1.57 (0.15)	38 5/16" (973)	5 7/8" (149)	3.51 (0.33)	1.57 (0.15)	64 1/16" (1627)	6.38 (0.59)
AAN40110	1.73 (0.16)	42 5/16" (1075)	5 7/8" (149)	3.89 (0.36)	1.73 (0.16)	64 1/16" (1627)	6.97 (0.65)
AAN44110	1.90 (0.18)	46 5/16" (1176)	5 7/8" (149)	4.27 (0.40)	1.90 (0.18)	64 1/16" (1627)	7.56 (0.70)
AAN48110	2.06 (0.19)	50 5/16" (1278)	5 7/8" (149)	4.66 (0.43)	2.06 (0.19)	64 1/16" (1627)	8.15 (0.76)
AAN50110	2.22 (0.21)	54 5/16" (1380)	5 7/8" (149)	5.04 (0.47)	2.22 (0.21)	64 1/16" (1627)	8.74 (0.81)
AAN1820	0.59 (0.05)	14 5/16" (364)	5 7/8" (149)	1.38 (0.13)	0.59 (0.05)	62 1/16" (1576)	3.11 (0.29)
AAN2020	0.75 (0.07)	18 5/16" (465)	5 7/8" (149)	1.82 (0.17)	0.75 (0.07)	62 1/16" (1576)	3.75 (0.35)
AAN2420	0.91 (0.08)	22 5/16" (567)	5 7/8" (149)	2.26 (0.21)	0.91 (0.08)	62 1/16" (1576)	4.40 (0.41)
AAN2620	0.99 (0.09)	24 5/16" (618)	5 7/8" (149)	2.48 (0.23)	0.99 (0.09)	62 1/16" (1576)	4.72 (0.44)
AAN2820	1.08 (0.10)	26 5/16" (668)	5 7/8" (149)	2.70 (0.25)	1.08 (0.10)	62 1/16" (1576)	5.05 (0.47)
AAN21020	1.16 (0.11)	28 5/16" (719)	5 7/8" (149)	2.92 (0.27)	1.16 (0.11)	62 1/16" (1576)	5.37 (0.50)
AAN3020	1.24 (0.12)	30 5/16" (770)	5 7/8" (149)	3.14 (0.29)	1.24 (0.12)	62 1/16" (1576)	5.69 (0.53)
AAN3220	1.32 (0.12)	32 5/16" (821)	5 7/8" (149)	3.36 (0.31)	1.32 (0.12)	62 1/16" (1576)	6.01 (0.56)
AAN3420	1.40 (0.13)	34 5/16" (872)	5 7/8" (149)	3.58 (0.33)	1.40 (0.13)	62 1/16" (1576)	6.34 (0.59)
AAN3820	1.57 (0.15)	38 5/16" (973)	5 7/8" (149)	4.02 (0.37)	1.57 (0.15)	62 1/16" (1576)	6.98 (0.65)
AAN4020	1.73 (0.16)	42 5/16" (1075)	5 7/8" (149)	4.46 (0.41)	1.73 (0.16)	62 1/16" (1576)	7.63 (0.71)
AAN4420	1.90 (0.18)	46 5/16" (1176)	5 7/8" (149)	4.89 (0.45)	1.90 (0.18)	62 1/16" (1576)	8.28 (0.77)
AAN4820	2.06 (0.19)	50 5/16" (1278)	5 7/8" (149)	5.33 (0.50)	2.06 (0.19)	62 1/16" (1576)	8.92 (0.83)
AAN5020	2.22 (0.21)	54 5/16" (1380)	5 7/8" (149)	5.77 (0.54)	2.22 (0.21)	62 1/16" (1576)	9.57 (0.89)
AAN1824	0.59 (0.05)	14 5/16" (364)	5 7/8" (149)	1.73 (0.16)	0.59 (0.05)	58 1/16" (1475)	3.64 (0.34)
AAN2024	0.75 (0.07)	18 5/16" (465)	5 7/8" (149)	2.28 (0.21)	0.75 (0.07)	58 1/16" (1475)	4.40 (0.41)
AAN2424	0.91 (0.08)	22 5/16" (567)	5 7/8" (149)	2.83 (0.26)	0.91 (0.08)	58 1/16" (1475)	5.16 (0.48)
AAN2624	0.99 (0.09)	24 5/16" (618)	5 7/8" (149)	3.11 (0.29)	0.99 (0.09)	58 1/16" (1475)	5.54 (0.51)
AAN2824	1.08 (0.10)	26 5/16" (668)	5 7/8" (149)	3.38 (0.31)	1.08 (0.10)	58 1/16" (1475)	5.91 (0.55)

• "Top of Subfloor to Top of Inside Sill Stop" is calculated based upon a structural header height of 6'-10 1/2" (2096).  
• Dimensions in parentheses are in millimeters or square meters.

continued on next page



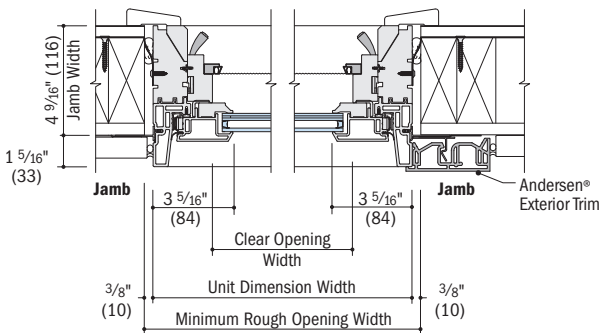
## Awning Window Opening and Area Specifications (continued)

Window Number	Clear Opening Sq. Ft./ $(m^2)$	Clear Opening in Full Open Position		Glass Area Sq. Ft./ $(m^2)$	Vent Sq. Ft./ $(m^2)$	Top of Subfloor to Top of Inside Sill Stop Inches/ $(mm)$	Overall Window Area Sq. Ft./ $(m^2)$
		Width Inches/ $(mm)$	Depth Inches/ $(mm)$				
AAN21024	1.16 (0.11)	28 5/16" (719)	5 7/8" (149)	3.66 (0.34)	1.16 (0.11)	58 1/16" (1475)	6.29 (0.58)
AAN3024	1.24 (0.12)	30 5/16" (770)	5 7/8" (149)	3.93 (0.37)	1.24 (0.12)	58 1/16" (1475)	6.67 (0.62)
AAN3224	1.32 (0.12)	32 5/16" (821)	5 7/8" (149)	4.21 (0.39)	1.32 (0.12)	58 1/16" (1475)	7.05 (0.65)
AAN3424	1.40 (0.13)	34 5/16" (872)	5 7/8" (149)	4.48 (0.42)	1.40 (0.13)	58 1/16" (1475)	7.43 (0.69)
AAN3824	1.57 (0.15)	38 5/16" (973)	5 7/8" (149)	5.03 (0.47)	1.57 (0.15)	58 1/16" (1475)	8.18 (0.76)
AAN4034	1.73 (0.16)	42 5/16" (1075)	5 7/8" (149)	5.58 (0.52)	1.73 (0.16)	58 1/16" (1475)	8.94 (0.83)
AAN4424	1.90 (0.18)	46 5/16" (1176)	5 7/8" (149)	6.13 (0.57)	1.90 (0.18)	58 1/16" (1475)	9.70 (0.90)
AAN4824	2.06 (0.19)	50 5/16" (1278)	5 7/8" (149)	6.68 (0.62)	2.06 (0.19)	58 1/16" (1475)	10.46 (0.97)
AAN5024	2.22 (0.21)	54 5/16" (1380)	5 7/8" (149)	7.23 (0.67)	2.22 (0.21)	58 1/16" (1475)	11.21 (1.04)
AAN1828	0.59 (0.05)	14 5/16" (364)	5 7/8" (149)	2.08 (0.19)	0.59 (0.05)	54 1/16" (1373)	4.18 (0.39)
AAN2028	0.75 (0.07)	18 5/16" (465)	5 7/8" (149)	2.74 (0.25)	0.75 (0.07)	54 1/16" (1373)	5.05 (0.47)
AAN2428	0.91 (0.08)	22 5/16" (567)	5 7/8" (149)	3.41 (0.32)	0.91 (0.08)	54 1/16" (1373)	5.91 (0.55)
AAN2628	0.99 (0.09)	24 5/16" (618)	5 7/8" (149)	3.75 (0.35)	0.99 (0.09)	54 1/16" (1373)	6.35 (0.59)
AAN2828	1.08 (0.10)	26 5/16" (668)	5 7/8" (149)	4.07 (0.38)	1.08 (0.10)	54 1/16" (1373)	6.78 (0.63)
AAN21028	1.16 (0.11)	28 5/16" (719)	5 7/8" (149)	4.40 (0.41)	1.16 (0.11)	54 1/16" (1373)	7.22 (0.67)
AAN3028	1.24 (0.12)	30 5/16" (770)	5 7/8" (149)	4.73 (0.44)	1.24 (0.12)	54 1/16" (1373)	7.56 (0.70)
AAN3228	1.32 (0.12)	32 5/16" (821)	5 7/8" (149)	5.06 (0.47)	1.32 (0.12)	54 1/16" (1373)	8.08 (0.75)
AAN3428	1.40 (0.13)	34 5/16" (872)	5 7/8" (149)	5.39 (0.50)	1.40 (0.13)	54 1/16" (1373)	8.52 (0.79)
AAN3828	1.57 (0.15)	38 5/16" (973)	5 7/8" (149)	6.05 (0.56)	1.57 (0.15)	54 1/16" (1373)	9.39 (0.87)
AAN4028	1.73 (0.16)	42 5/16" (1075)	5 7/8" (149)	6.71 (0.62)	1.73 (0.16)	54 1/16" (1373)	10.25 (0.95)
AAN4428	1.90 (0.18)	46 5/16" (1176)	5 7/8" (149)	7.37 (0.68)	1.90 (0.18)	54 1/16" (1373)	11.12 (1.03)
AAN4828	2.06 (0.19)	50 5/16" (1278)	5 7/8" (149)	8.03 (0.75)	2.06 (0.19)	54 1/16" (1373)	11.99 (1.11)
AAN5028	2.22 (0.21)	54 5/16" (1380)	5 7/8" (149)	8.69 (0.81)	2.22 (0.21)	54 1/16" (1373)	12.86 (1.19)
AAN1830	0.59 (0.05)	14 5/16" (364)	5 7/8" (149)	2.43 (0.23)	0.59 (0.05)	50 1/16" (1272)	4.71 (0.44)
AAN2030	0.75 (0.07)	18 5/16" (465)	5 7/8" (149)	3.21 (0.30)	0.75 (0.07)	50 1/16" (1272)	5.69 (0.53)
AAN2430	0.91 (0.08)	22 5/16" (567)	5 7/8" (149)	3.98 (0.37)	0.91 (0.08)	50 1/16" (1272)	6.67 (0.62)
AAN2630	0.99 (0.09)	24 5/16" (618)	5 7/8" (149)	4.36 (0.41)	0.99 (0.09)	50 1/16" (1272)	7.16 (0.67)
AAN2830	1.08 (0.10)	26 5/16" (668)	5 7/8" (149)	4.75 (0.44)	1.08 (0.10)	50 1/16" (1272)	7.65 (0.71)
AAN21030	1.16 (0.11)	28 5/16" (719)	5 7/8" (149)	5.14 (0.48)	1.16 (0.11)	50 1/16" (1272)	8.14 (0.76)
AAN3030	1.24 (0.12)	30 5/16" (770)	5 7/8" (149)	5.52 (0.51)	1.24 (0.12)	50 1/16" (1272)	8.63 (0.80)
AAN3230	1.32 (0.12)	32 5/16" (821)	5 7/8" (149)	5.91 (0.55)	1.32 (0.12)	50 1/16" (1272)	9.12 (0.85)
AAN3430	1.40 (0.13)	34 5/16" (872)	5 7/8" (149)	6.29 (0.58)	1.40 (0.13)	50 1/16" (1272)	9.61 (0.89)
AAN3830	1.57 (0.15)	38 5/16" (973)	5 7/8" (149)	7.07 (0.66)	1.57 (0.15)	50 1/16" (1272)	10.59 (0.98)
AAN4030	1.73 (0.16)	42 5/16" (1075)	5 7/8" (149)	7.84 (0.73)	1.73 (0.16)	50 1/16" (1272)	11.57 (1.07)
AAN4430	1.90 (0.18)	46 5/16" (1176)	5 7/8" (149)	8.61 (0.80)	1.90 (0.18)	50 1/16" (1272)	12.55 (1.17)

• "Top of Subfloor to Top of Inside Sill Stop" is calculated based upon a structural header height of 6'-10 1/2" (2096).  
• Dimensions in parentheses are in millimeters or square meters.

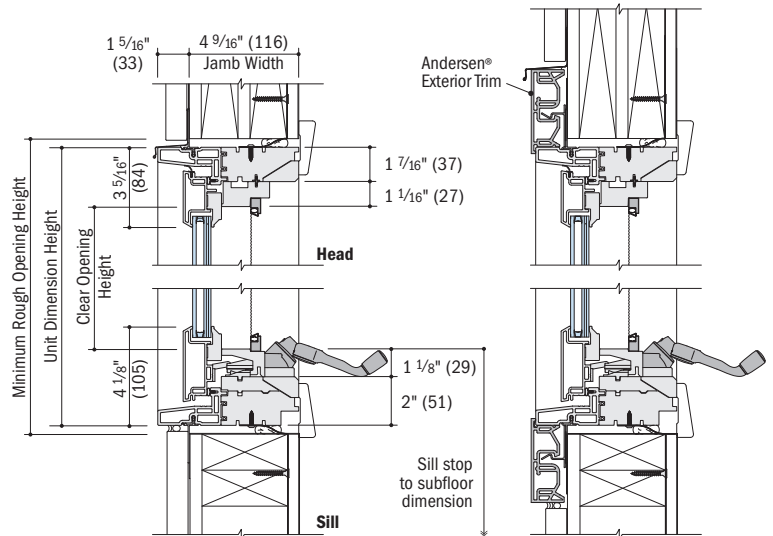
### Awning Window Details

Scale 1 1/2" (38) = 1'-0" (305) – 1:8



**Horizontal Section**  
Low-E4\* Impact-Resistant Glass

- 4 9/16" (116) jamb width measurement is from backside of installation flange.
- Light-colored areas are parts included with window. Dark-colored areas are additional Andersen® parts required to complete window assembly as shown.
- Dimensions in parentheses are in millimeters.
- **Rough openings may need to be increased to allow for use of building wraps, flashing, sill panning, brackets, fasteners or other items. See installation information on page 217.**
- Details are for illustration only and are not intended to represent product installation methods or materials. Refer to product installation guides at andersenwindows.com.



**Vertical Sections**  
Low-E4\* Impact-Resistant Glass

See pages 49-51 for horizontal and vertical joining details.

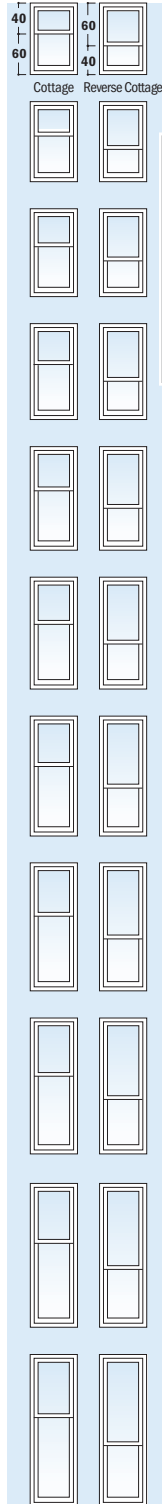
**Table of Double-Hung Window Sizes**

Scale 1/8" (3) = 1'-0" (305) – 1:96

Notes on the next page also apply to this page. Double-hung sizes on pages 31-32.

Unit Dimension	1'-7 1/4"	1'-11 1/4"	2'-3 1/4"	2'-5 1/4"	2'-7 1/4"	2'-9 1/4"	2'-11 1/4"	3'-1 1/4"	3'-3 1/4"	3'-7 1/4"	3'-11 1/4"												
<b>Minimum Rough Opening</b>	1'-8" (508)	2'-0" (610)	2'-4" (711)	2'-6" (762)	2'-8" (813)	2'-10" (864)	3'-0" (914)	3'-2" (965)	3'-4" (1016)	3'-8" (1118)	4'-0" (1219)												
Unobstructed Glass (lower sash only)	12 5/8" (321)	16 5/8" (422)	20 5/8" (524)	22 5/8" (575)	24 5/8" (625)	26 5/8" (676)	28 5/8" (727)	30 5/8" (778)	32 5/8" (829)	36 5/8" (930)	40 5/8" (1032)												
<b>CUSTOM WIDTHS – 1'-3 1/4" to 3'-11 1/4"</b>																							
	2'-11 1/4" (895)	3'-0" (914)	3'-3 1/4" (976)	3'-4" (1016)	3'-7 1/4" (1099)	3'-8" (1118)	3'-11 1/4" (1200)	4'-0" (1219)	4'-3 1/4" (1302)	4'-4" (1321)	4'-7 1/4" (1403)	4'-8" (1422)	4'-11 1/4" (1505)	5'-0" (1524)	5'-3 1/4" (1607)	5'-4" (1626)	5'-7 1/4" (1708)	5'-8" (1727)	5'-11 1/4" (1810)	6'-0" (1829)	6'-3 1/4" (1911)		
<b>CUSTOM HEIGHTS – 2'-3 1/4" to 7'-11 1/4"</b>	ADH1830	ADH2030	ADH2430	ADH2630	ADH2830	ADH21030	ADH3030	ADH3230	ADH3430	ADH3830	ADH4030												
	ADH1834	ADH2034	ADH2434	ADH2634	ADH2834	ADH21034	ADH3034	ADH3234	ADH3434	ADH3834	ADH4034												
	ADH1838	ADH2038	ADH2438	ADH2638	ADH2838	ADH21038	ADH3038	ADH3238	ADH3438	ADH3838	ADH4038												
	ADH1840	ADH2040	ADH2440	ADH2640	ADH2840	ADH21040	ADH3040	ADH3240	ADH3440	ADH3840	ADH4040												
	ADH1844	ADH2044	ADH2444	ADH2644	ADH2844	ADH21044	ADH3044	ADH3244	ADH3444	ADH3844	ADH4044												
	ADH1848	ADH2048	ADH2448	ADH2648	ADH2848	ADH21048	ADH3048	ADH3248	ADH3448	ADH3848	ADH4048												
	ADH1850	ADH2050	ADH2450	ADH2650	ADH2850	ADH21050	ADH3050	ADH3250 <sup>o</sup>	ADH3450 <sup>o</sup>	ADH3850 <sup>o</sup>	ADH4050 <sup>o</sup>												
	ADH1854	ADH2054	ADH2454	ADH2654	ADH2854	ADH21054	ADH3054 <sup>o</sup>	ADH3254 <sup>o</sup>	ADH3454 <sup>o</sup>	ADH3854 <sup>o</sup>	ADH4054 <sup>o</sup> **												
	ADH1858	ADH2058	ADH2458	ADH2658	ADH2858	ADH21058 <sup>o</sup>	ADH3058 <sup>o</sup>	ADH3258 <sup>o</sup>	ADH3458 <sup>o</sup>	ADH3858 <sup>o</sup>	ADH4058 <sup>o</sup> **												
	ADH1860	ADH2060	ADH2460	ADH2660	ADH2860 <sup>o</sup>	ADH21060 <sup>o</sup>	ADH3060 <sup>o</sup>	ADH3260 <sup>o</sup> **	ADH3460 <sup>o</sup> **	ADH3860 <sup>o</sup> **	ADH4060 <sup>o</sup> **												
	ADH1864	ADH2064	ADH2464	ADH2664 <sup>o</sup>	ADH2864 <sup>o</sup>	ADH21064 <sup>o</sup>	ADH3064 <sup>o</sup> **	ADH3264 <sup>o</sup> **	ADH3464 <sup>o</sup> **	ADH3864 <sup>o</sup> **	ADH4064 <sup>o</sup> **												

Cottage and reverse cottage sash are available based on a 60/40 proportion in all widths and heights up to 6'-7 1/4" (2013).



A-Series Double-Hung Windows

continued on next page

**Table of Double-Hung Window Sizes** (continued)

Notes on this page also apply to the previous page. Double-hung sizes on pages 31-32.

Scale 1/8" (3) = 1'-0" (305) – 1:96

Unit Dimension	1'-7 1/4"	1'-11 1/4"	2'-3 1/4"	2'-5 1/4"	2'-7 1/4"	2'-9 1/4"	2'-11 1/4"	3'-1 1/4"	3'-3 1/4"	3'-7 1/4"	3'-11 1/4"	
	(489)	(591)	(692)	(743)	(794)	(845)	(895)	(946)	(997)	(1099)	(1200)	Cottage and reverse cottage sash are available based on a 60/40 proportion in all widths and heights up to 6'-7 1/4" (2013).
<b>Minimum Rough Opening</b>	1'-8" (508)	2'-0" (610)	2'-4" (711)	2'-6" (762)	2'-8" (813)	2'-10" (864)	3'-0" (914)	3'-2" (965)	3'-4" (1016)	3'-8" (1118)	4'-0" (1219)	
Unobstructed Glass (lower sash only)	12 5/8" (321)	16 5/8" (422)	20 5/8" (524)	22 5/8" (575)	24 5/8" (625)	26 5/8" (676)	28 5/8" (727)	30 5/8" (778)	32 5/8" (829)	36 5/8" (930)	40 5/8" (1031)	
<b>CUSTOM WIDTHS – 1'-3 1/4" to 3'-11 1/4"</b>												
	<b>CUSTOM HEIGHTS – 2'-3 1/4" to 7'-11 1/4"</b>											
	ADH1868	ADH2068	ADH2468	ADH2668 <sup>◊</sup>	ADH2868 <sup>◊</sup>	ADH21068 <sup>◊</sup>	ADH3068 <sup>◊*</sup>	ADH3268 <sup>◊*</sup>	ADH3468 <sup>◊**</sup>	ADH3868 <sup>◊**</sup>	ADH4068 <sup>◊**</sup>	
	ADH1874	ADH2074	ADH2474 <sup>◊</sup>	ADH2674 <sup>◊</sup>	ADH2874 <sup>◊</sup>	ADH21074 <sup>◊</sup>	ADH3074 <sup>◊</sup>	ADH3274 <sup>◊</sup>	ADH3474 <sup>◊</sup>	ADH3874 <sup>◊*</sup>	ADH4074 <sup>◊*</sup>	
	ADH1880	ADH2080	ADH2480 <sup>◊</sup>	ADH2680 <sup>◊</sup>	ADH2880 <sup>◊</sup>	ADH21080 <sup>◊</sup>	ADH3080 <sup>◊</sup>	ADH3280 <sup>◊*</sup>	ADH3480 <sup>◊*</sup>	ADH3880 <sup>◊*</sup>	ADH4080 <sup>◊*</sup>	

- "Window Dimension" always refers to outside frame to frame dimension.
- "Minimum Rough Opening" dimensions may need to be increased to allow for use of building wraps, flashing, sill panning, brackets, fasteners or other items. See page 217 for more details.
- Dimensions in parentheses are in millimeters.
- ◊ Sizes with equal sash that meet or exceed clear opening area of 5.7 sq. ft. or 0.53 m<sup>2</sup>, clear opening width of 20" (508) and clear opening height of 24" (610). See tables on pages 33-35.
- ◆ Sizes with cottage sash that meet or exceed clear opening area of 5.7 sq. ft. or 0.53 m<sup>2</sup>, clear opening width of 20" (508) and clear opening height of 24" (610).
- \* Equal sash limited travel.
- \*\* Reverse cottage sash limited travel.
- \*\*+ Cottage and reverse cottage sash limited travel.
- \*\*+ Equal, cottage and reverse cottage sash limited travel.



Custom-size windows are available in 1/8" (3) increments. See page 52 for custom sizes and specifications.

Two locks are standard on all double-hung windows with Low-E4° Impact-Resistant Glass.

## Grille Patterns

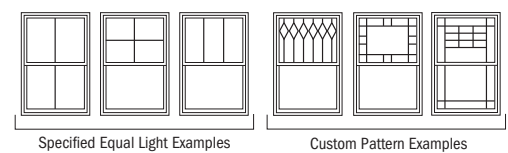
	Prairie A	6-Light Prairie	Colonial
<b>Double-Hung</b>	 Equal Sash   Cottage Sash	 Equal Sash   Cottage Sash	 Equal Sash   Cottage Sash

• Andersen® Finelight™ grilles available in 3/4" (19) profile only.

Number of lights and overall pattern varies with window size. Patterns shown may not be available for all sizes. Specified equal light and custom patterns are also available. Some restrictions apply. For more information on divided light see pages 18-19.

Double-hung window patterns are also available in Upper Sash Only (USO) configurations.

For picture window patterns that require alignment with double-hung patterns, identify the double-hung sash style (equal, cottage, reverse cottage) when ordering.





**Double-Hung Window Opening and Area Specifications**

Window Number	Clear Opening Sq. Ft./ (m <sup>2</sup> )	Clear Opening in Full Open Position		Glass Area Sq. Ft./ (m <sup>2</sup> )	Vent Sq. Ft./ (m <sup>2</sup> )	Top of Subfloor to Top of Inside Sill Stop Inches/ (mm)	Overall Window Area Sq. Ft./ (m <sup>2</sup> )
		Width Inches/ (mm)	Height Inches/ (mm)				
ADH1830	1.37 (0.13)	15 3/16" (386)	13" (330)	2.24 (1.38)	1.46 (0.14)	48 7/8" (1241)	4.71 (0.44)
ADH1834	1.58 (0.15)	15 3/16" (386)	15" (381)	2.59 (1.46)	1.67 (0.16)	44 7/8" (1140)	5.25 (0.49)
ADH1838	1.79 (0.17)	15 3/16" (386)	17" (432)	2.94 (1.63)	1.88 (0.17)	40 7/8" (1038)	5.78 (0.54)
ADH1840	2.00 (0.19)	15 3/16" (386)	19" (483)	3.29 (1.80)	2.09 (0.19)	36 7/8" (937)	6.32 (0.59)
ADH1844	2.21 (0.21)	15 3/16" (386)	21" (533)	3.64 (0.60)	2.30 (0.21)	32 7/8" (835)	6.85 (0.64)
ADH1848	2.42 (0.23)	15 3/16" (386)	23" (584)	3.99 (0.70)	2.51 (0.23)	28 7/8" (733)	7.39 (0.69)
ADH1850	2.64 (0.24)	15 3/16" (386)	25" (635)	4.34 (0.79)	2.72 (0.25)	24 7/8" (632)	7.92 (0.74)
ADH1854	2.85 (0.26)	15 3/16" (386)	27" (686)	4.69 (0.89)	2.94 (0.27)	20 7/8" (530)	8.46 (0.79)
ADH1858	3.06 (0.28)	15 3/16" (386)	29" (737)	5.04 (0.98)	3.15 (0.29)	16 7/8" (429)	8.99 (0.84)
ADH1860	3.27 (0.30)	15 3/16" (386)	31" (787)	5.39 (1.08)	3.36 (0.31)	12 7/8" (327)	9.52 (0.88)
ADH1864	3.48 (0.32)	15 3/16" (386)	33" (838)	5.74 (1.17)	3.56 (0.33)	8 7/8" (225)	10.06 (0.93)
ADH1868	3.69 (0.34)	15 3/16" (386)	35" (889)	6.09 (1.27)	3.78 (0.35)	*	10.59 (0.98)
ADH1874	4.11 (0.38)	15 3/16" (386)	39" (991)	6.79 (1.36)	4.20 (0.39)	*	11.66 (1.08)
ADH1880	4.53 (0.42)	15 3/16" (386)	43" (1092)	7.49 (1.45)	4.62 (0.43)	*	12.73 (1.18)
ADH2030	1.73 (0.16)	19 3/16" (487)	13" (330)	2.95 (1.55)	1.84 (0.17)	48 7/8" (1241)	5.69 (0.53)
ADH2034	2.00 (0.19)	19 3/16" (487)	15" (381)	3.41 (1.64)	2.11 (0.20)	44 7/8" (1140)	6.34 (0.59)
ADH2038	2.26 (0.21)	19 3/16" (487)	17" (432)	3.87 (1.83)	2.38 (0.22)	40 7/8" (1038)	6.98 (0.65)
ADH2040	2.53 (0.24)	19 3/16" (487)	19" (483)	4.33 (2.02)	2.64 (0.25)	36 7/8" (937)	7.63 (0.71)
ADH2044	2.80 (0.26)	19 3/16" (487)	21" (533)	4.80 (0.67)	2.91 (0.27)	32 7/8" (835)	8.27 (0.77)
ADH2048	3.06 (0.28)	19 3/16" (487)	23" (584)	5.26 (0.78)	3.18 (0.29)	28 7/8" (733)	8.92 (0.83)
ADH2050	3.33 (0.31)	19 3/16" (487)	25" (635)	5.72 (0.88)	3.44 (0.32)	24 7/8" (632)	9.57 (0.89)
ADH2054	3.60 (0.33)	19 3/16" (487)	27" (686)	6.18 (0.98)	3.71 (0.34)	20 7/8" (530)	10.21 (0.95)
ADH2058	3.86 (0.36)	19 3/16" (487)	29" (737)	6.64 (1.09)	3.98 (0.37)	16 7/8" (429)	10.86 (1.01)
ADH2060	4.13 (0.38)	19 3/16" (487)	31" (787)	7.10 (1.19)	4.24 (0.39)	12 7/8" (327)	11.50 (1.07)
ADH2064	4.40 (0.41)	19 3/16" (487)	33" (838)	7.56 (1.30)	4.50 (0.42)	8 7/8" (225)	12.15 (1.13)
ADH2068	4.66 (0.43)	19 3/16" (487)	35" (889)	8.02 (1.40)	4.77 (0.44)	*	12.80 (1.19)
ADH2074	5.20 (0.48)	19 3/16" (487)	39" (991)	8.95 (1.51)	5.30 (0.49)	*	14.09 (1.31)
ADH2080	5.73 (0.53)	19 3/16" (487)	43" (1092)	9.87 (1.61)	5.84 (0.54)	*	15.38 (1.43)
ADH2430	2.09 (0.19)	23 3/16" (589)	13" (330)	3.66 (1.72)	2.23 (0.21)	48 7/8" (1241)	6.67 (0.62)
ADH2434	2.41 (0.22)	23 3/16" (589)	15" (381)	4.24 (1.82)	2.55 (0.24)	44 7/8" (1140)	7.43 (0.69)
ADH2438	2.73 (0.25)	23 3/16" (589)	17" (432)	4.81 (2.03)	2.87 (0.27)	40 7/8" (1038)	8.18 (0.76)
ADH2440	3.06 (0.28)	23 3/16" (589)	19" (483)	5.38 (2.24)	3.19 (0.30)	36 7/8" (937)	8.94 (0.83)
ADH2444	3.38 (0.31)	23 3/16" (589)	21" (533)	5.95 (0.55)	3.51 (0.33)	32 7/8" (835)	9.70 (0.90)
ADH2448	3.70 (0.34)	23 3/16" (589)	23" (584)	6.52 (0.61)	3.84 (0.36)	28 7/8" (733)	10.46 (0.97)
ADH2450	4.02 (0.37)	23 3/16" (589)	25" (635)	7.10 (0.66)	4.16 (0.39)	24 7/8" (632)	11.21 (1.04)
ADH2454	4.35 (0.40)	23 3/16" (589)	27" (686)	7.67 (0.71)	4.48 (0.42)	20 7/8" (530)	11.97 (1.11)
ADH2458	4.67 (0.43)	23 3/16" (589)	29" (737)	8.24 (0.77)	4.80 (0.45)	16 7/8" (429)	12.73 (1.18)
ADH2460	4.99 (0.46)	23 3/16" (589)	31" (787)	8.81 (0.82)	5.13 (0.48)	12 7/8" (327)	13.48 (1.25)
ADH2464	5.31 (0.49)	23 3/16" (589)	33" (838)	9.39 (0.87)	5.44 (0.51)	8 7/8" (225)	14.24 (1.32)
ADH2468	5.63 (0.52)	23 3/16" (589)	35" (889)	9.96 (0.93)	5.76 (0.54)	*	15.00 (1.39)
ADH2474 ◊	6.28 (0.58)	23 3/16" (589)	39" (991)	11.10 (1.03)	6.41 (0.60)	*	16.51 (1.53)
ADH2480 ◊	6.92 (0.64)	23 3/16" (589)	43" (1092)	12.25 (1.14)	7.05 (0.66)	*	18.02 (1.67)
ADH2630	2.27 (0.21)	25 3/16" (640)	13" (330)	4.02 (0.37)	2.42 (0.22)	48 7/8" (1241)	7.16 (0.67)
ADH2634	2.62 (0.24)	25 3/16" (640)	15" (381)	4.65 (0.43)	2.77 (0.26)	44 7/8" (1140)	7.97 (0.74)
ADH2638	2.97 (0.28)	25 3/16" (640)	17" (432)	5.27 (0.49)	3.12 (0.29)	40 7/8" (1038)	8.79 (0.82)
ADH2640	3.32 (0.31)	25 3/16" (640)	19" (483)	5.90 (0.55)	3.47 (0.32)	36 7/8" (937)	9.60 (0.89)
ADH2644	3.67 (0.34)	25 3/16" (640)	21" (533)	6.53 (0.61)	3.82 (0.35)	32 7/8" (835)	10.41 (0.97)
ADH2648	4.02 (0.37)	25 3/16" (640)	23" (584)	7.16 (0.66)	4.17 (0.39)	28 7/8" (733)	11.22 (1.04)
ADH2650	4.37 (0.41)	25 3/16" (640)	25" (635)	7.79 (0.72)	4.52 (0.42)	24 7/8" (632)	12.04 (1.12)
ADH2654	4.72 (0.44)	25 3/16" (640)	27" (686)	8.41 (0.78)	4.87 (0.45)	20 7/8" (530)	12.85 (1.19)
ADH2658	5.07 (0.47)	25 3/16" (640)	29" (737)	9.04 (0.84)	5.22 (0.48)	16 7/8" (429)	13.66 (1.27)
ADH2660	5.42 (0.50)	25 3/16" (640)	31" (787)	9.67 (0.90)	5.57 (0.52)	12 7/8" (327)	14.47 (1.34)
ADH2664 ◊	5.77 (0.54)	25 3/16" (640)	33" (838)	10.30 (0.96)	5.91 (0.55)	8 7/8" (225)	15.29 (1.42)
ADH2668 ◊	6.12 (0.57)	25 3/16" (640)	35" (889)	10.92 (1.01)	6.26 (0.58)	*	16.10 (1.50)
ADH2674 ◊	6.82 (0.63)	25 3/16" (640)	39" (991)	12.18 (1.13)	6.96 (0.65)	*	17.72 (1.65)
ADH2680 ◊	7.52 (0.70)	25 3/16" (640)	43" (1092)	13.44 (1.25)	7.66 (0.71)	*	19.35 (1.80)
ADH2830	2.45 (0.23)	27 3/16" (691)	13" (330)	4.37 (0.41)	2.61 (0.24)	48 7/8" (1241)	7.65 (0.71)
ADH2834	2.83 (0.26)	27 3/16" (691)	15" (381)	5.06 (0.47)	2.99 (0.28)	44 7/8" (1140)	8.52 (0.79)
ADH2838	3.21 (0.30)	27 3/16" (691)	17" (432)	5.74 (0.53)	3.37 (0.31)	40 7/8" (1038)	9.39 (0.87)
ADH2840	3.58 (0.33)	27 3/16" (691)	19" (483)	6.42 (0.60)	3.74 (0.35)	36 7/8" (937)	10.25 (0.95)
ADH2844	3.96 (0.37)	27 3/16" (691)	21" (533)	7.11 (0.66)	4.12 (0.38)	32 7/8" (835)	11.12 (1.03)

For cottage and reverse cottage sash window opening specifications contact your Andersen supplier.

A-Series Double-Hung Windows

\* "Top of Subfloor to Top of Inside Sill Stop" is calculated based upon a structural header height of 6'-10 1/2" (2096).  
 • Dimensions in parentheses are in millimeters or square meters.  
 ◊ Meet or exceed clear opening area of 5.7 sq. ft. or 0.53 m<sup>2</sup>, clear opening width of 20" (508) and clear opening height of 24" (610).  
 \* Dimension varies depending on header height.

continued on next page

## Double-Hung Window Opening and Area Specifications (continued)

Window Number	Clear Opening Sq. Ft./ <sup>2</sup> (m <sup>2</sup> )	Clear Opening in Full Open Position		Glass Area Sq. Ft./ <sup>2</sup> (m <sup>2</sup> )	Vent Sq. Ft./ <sup>2</sup> (m <sup>2</sup> )	Top of Subfloor to Top of Inside Sill Stop Inches/(mm)	Overall Window Area Sq. Ft./ <sup>2</sup> (m <sup>2</sup> )
		Width Inches/(mm)	Height Inches/(mm)				
ADH2848	4.34 (0.40)	27 3/16" (691)	23" (584)	7.79 (0.72)	4.50 (0.42)	28 7/8" (733)	11.99 (1.11)
ADH2850	4.72 (0.44)	27 3/16" (691)	25" (635)	8.47 (0.79)	4.88 (0.45)	24 7/8" (632)	12.86 (1.19)
ADH2854	5.10 (0.47)	27 3/16" (691)	27" (686)	9.16 (0.85)	5.25 (0.49)	20 7/8" (530)	13.73 (1.28)
ADH2858	5.47 (0.51)	27 3/16" (691)	29" (737)	9.84 (0.91)	5.63 (0.52)	16 7/8" (429)	14.59 (1.36)
ADH2860 ◊	5.85 (0.54)	27 3/16" (691)	31" (787)	10.52 (0.98)	6.01 (0.56)	12 7/8" (327)	15.46 (1.44)
ADH2864 ◊	6.23 (0.58)	27 3/16" (691)	33" (838)	11.21 (1.04)	6.38 (0.59)	8 7/8" (225)	16.33 (1.52)
ADH2868 ◊	6.61 (0.61)	27 3/16" (691)	35" (889)	11.89 (1.10)	6.76 (0.63)	*	17.20 (1.60)
ADH2874 ◊	7.36 (0.68)	27 3/16" (691)	39" (991)	13.26 (1.23)	7.51 (0.70)	*	18.93 (1.76)
ADH2880 ◊	8.12 (0.75)	27 3/16" (691)	43" (1092)	14.62 (1.36)	8.27 (0.77)	*	20.67 (1.92)
ADH21030	2.63 (0.24)	29 3/16" (741)	13" (330)	4.73 (0.44)	2.80 (0.26)	48 7/8" (1241)	8.14 (0.76)
ADH21034	3.04 (0.28)	29 3/16" (741)	15" (381)	5.47 (0.51)	3.21 (0.30)	44 7/8" (1140)	9.06 (0.84)
ADH21038	3.44 (0.32)	29 3/16" (741)	17" (432)	6.21 (0.58)	3.61 (0.34)	40 7/8" (1038)	9.99 (0.93)
ADH21040	3.85 (0.36)	29 3/16" (741)	19" (483)	6.95 (0.65)	4.02 (0.37)	36 7/8" (937)	10.91 (1.01)
ADH21044	4.25 (0.40)	29 3/16" (741)	21" (533)	7.69 (0.71)	4.42 (0.41)	32 7/8" (835)	11.83 (1.10)
ADH21048	4.66 (0.43)	29 3/16" (741)	23" (584)	8.42 (0.78)	4.83 (0.45)	28 7/8" (733)	12.76 (1.19)
ADH21050	5.06 (0.47)	29 3/16" (741)	25" (635)	9.16 (0.85)	5.24 (0.49)	24 7/8" (632)	13.68 (1.27)
ADH21054	5.47 (0.51)	29 3/16" (741)	27" (686)	9.90 (0.92)	5.64 (0.52)	20 7/8" (530)	14.60 (1.36)
ADH21058 ◊	5.88 (0.55)	29 3/16" (741)	29" (737)	10.64 (0.99)	6.05 (0.56)	16 7/8" (429)	15.53 (1.44)
ADH21060 ◊	6.28 (0.58)	29 3/16" (741)	31" (787)	11.38 (1.06)	6.45 (0.60)	12 7/8" (327)	16.45 (1.53)
ADH21064 ◊	6.69 (0.62)	29 3/16" (741)	33" (838)	12.12 (1.13)	6.85 (0.64)	8 7/8" (225)	17.38 (1.61)
ADH21068 ◊	7.09 (0.66)	29 3/16" (741)	35" (889)	12.86 (1.19)	7.25 (0.67)	*	18.30 (1.70)
ADH21074 ◊	7.90 (0.73)	29 3/16" (741)	39" (991)	14.34 (1.33)	8.07 (0.75)	*	20.15 (1.87)
ADH21080 ◊	8.71 (0.81)	29 3/16" (741)	43" (1092)	15.81 (1.47)	8.88 (0.82)	*	21.99 (2.04)
ADH3030	2.81 (0.26)	31 3/16" (792)	13" (330)	5.09 (0.47)	2.99 (0.28)	48 7/8" (1241)	8.63 (0.80)
ADH3034	3.25 (0.30)	31 3/16" (792)	15" (381)	5.88 (0.55)	3.43 (0.32)	44 7/8" (1140)	9.61 (0.89)
ADH3038	3.68 (0.34)	31 3/16" (792)	17" (432)	6.67 (0.62)	3.86 (0.36)	40 7/8" (1038)	10.59 (0.98)
ADH3040	4.11 (0.38)	31 3/16" (792)	19" (483)	7.47 (0.69)	4.29 (0.40)	36 7/8" (937)	11.57 (1.07)
ADH3044	4.54 (0.42)	31 3/16" (792)	21" (533)	8.26 (0.77)	4.73 (0.44)	32 7/8" (835)	12.55 (1.17)
ADH3048	4.98 (0.46)	31 3/16" (792)	23" (584)	9.06 (0.84)	5.16 (0.48)	28 7/8" (733)	13.52 (1.26)
ADH3050	5.41 (0.50)	31 3/16" (792)	25" (635)	9.85 (0.92)	5.59 (0.52)	24 7/8" (632)	14.50 (1.35)
ADH3054 ◊	5.84 (0.54)	31 3/16" (792)	27" (686)	10.65 (0.99)	6.03 (0.56)	20 7/8" (530)	15.48 (1.44)
ADH3058 ◊	6.28 (0.58)	31 3/16" (792)	29" (737)	11.44 (1.06)	6.46 (0.60)	16 7/8" (429)	16.46 (1.53)
ADH3060 ◊	6.71 (0.62)	31 3/16" (792)	31" (787)	12.24 (1.14)	6.89 (0.64)	12 7/8" (327)	17.44 (1.62)
ADH3064 ◊	7.14 (0.66)	31 3/16" (792)	33" (838)	13.03 (1.21)	7.32 (0.68)	8 7/8" (225)	18.42 (1.71)
ADH3068 ◊	7.58 (0.70)	31 3/16" (792)	35" (889)	13.82 (1.28)	7.75 (0.72)	*	19.40 (1.80)
ADH3074 ◊	8.44 (0.78)	31 3/16" (792)	39" (991)	15.41 (1.43)	8.62 (0.80)	*	21.36 (1.98)
ADH3080 ◊	9.31 (0.86)	31 3/16" (792)	43" (1092)	17.00 (1.58)	9.48 (0.88)	*	23.32 (2.17)
ADH3230	2.99 (0.28)	33 3/16" (843)	13" (330)	5.44 (0.51)	3.19 (0.30)	48 7/8" (1241)	9.12 (0.85)
ADH3234	3.45 (0.32)	33 3/16" (843)	15" (381)	6.29 (0.58)	3.65 (0.34)	44 7/8" (1140)	10.15 (0.94)
ADH3238	3.91 (0.36)	33 3/16" (843)	17" (432)	7.14 (0.66)	4.11 (0.38)	40 7/8" (1038)	11.19 (1.04)
ADH3240	4.38 (0.41)	33 3/16" (843)	19" (483)	7.99 (0.74)	4.57 (0.42)	36 7/8" (937)	12.22 (1.14)
ADH3244	4.84 (0.45)	33 3/16" (843)	21" (533)	8.84 (0.82)	5.03 (0.47)	32 7/8" (835)	13.26 (1.23)
ADH3248	5.30 (0.49)	33 3/16" (843)	23" (584)	9.69 (0.90)	5.49 (0.51)	28 7/8" (733)	14.29 (1.33)
ADH3250 ◊	5.76 (0.53)	33 3/16" (843)	25" (635)	10.54 (0.98)	5.95 (0.55)	24 7/8" (632)	15.33 (1.42)
ADH3254 ◊	6.22 (0.58)	33 3/16" (843)	27" (686)	11.39 (1.06)	6.41 (0.60)	20 7/8" (530)	16.36 (1.52)
ADH3258 ◊	6.68 (0.62)	33 3/16" (843)	29" (737)	12.24 (1.14)	6.87 (0.64)	16 7/8" (429)	17.40 (1.62)
ADH3260 ◊	7.14 (0.66)	33 3/16" (843)	31" (787)	13.09 (1.22)	7.34 (0.68)	12 7/8" (327)	18.43 (1.71)
ADH3264 ◊	7.60 (0.71)	33 3/16" (843)	33" (838)	13.94 (1.30)	7.79 (0.72)	8 7/8" (225)	19.47 (1.81)
ADH3268 ◊	8.06 (0.75)	33 3/16" (843)	35" (889)	14.79 (1.37)	8.25 (0.77)	*	20.50 (1.90)
ADH3274 ◊	8.99 (0.83)	33 3/16" (843)	39" (991)	16.49 (1.53)	9.17 (0.85)	*	22.57 (2.10)
ADH3280 ◊*	5.65 (0.52)	33 3/16" (843)	24 1/2" (622)	18.19 (1.69)	10.09 (0.94)	*	24.64 (2.29)
ADH3430	3.17 (0.29)	35 3/16" (894)	13" (330)	5.80 (0.54)	3.38 (0.31)	48 7/8" (1241)	9.61 (0.89)
ADH3434	3.66 (0.34)	35 3/16" (894)	15" (381)	6.70 (0.62)	3.87 (0.36)	44 7/8" (1140)	10.70 (0.99)
ADH3438	4.15 (0.39)	35 3/16" (894)	17" (432)	7.61 (0.71)	4.36 (0.40)	40 7/8" (1038)	11.79 (1.10)
ADH3440	4.64 (0.43)	35 3/16" (894)	19" (483)	8.51 (0.79)	4.84 (0.45)	36 7/8" (937)	12.88 (1.20)
ADH3444	5.13 (0.48)	35 3/16" (894)	21" (533)	9.42 (0.87)	5.33 (0.50)	32 7/8" (835)	13.97 (1.30)
ADH3448	5.62 (0.52)	35 3/16" (894)	23" (584)	10.32 (0.96)	5.82 (0.54)	28 7/8" (733)	15.06 (1.40)
ADH3450 ◊	6.11 (0.57)	35 3/16" (894)	25" (635)	11.23 (1.04)	6.31 (0.59)	24 7/8" (632)	16.15 (1.50)
ADH3454 ◊	6.59 (0.61)	35 3/16" (894)	27" (686)	12.14 (1.13)	6.80 (0.63)	20 7/8" (530)	17.24 (1.60)
ADH3458 ◊	7.08 (0.66)	35 3/16" (894)	29" (737)	13.04 (1.21)	7.29 (0.68)	16 7/8" (429)	18.33 (1.70)
ADH3460 ◊	7.57 (0.70)	35 3/16" (894)	31" (787)	13.95 (1.30)	7.78 (0.72)	12 7/8" (327)	19.42 (1.80)

For cottage and reverse cottage sash window opening specifications contact your Andersen supplier.

\* "Top of Subfloor to Top of Inside Sill Stop" is calculated based upon a structural header height of 6'-10 1/2" (2096).  
 • Dimensions in parentheses are in millimeters or square meters.  
 ◊ Meet or exceed clear opening area of 5.7 sq. ft. or 0.53 m<sup>2</sup>, clear opening width of 20" (508) and clear opening height of 24" (610).  
 + Equal sash limited travel.  
 \* Dimension varies depending on header height.

continued on next page

**Double-Hung Window Opening and Area Specifications** (continued)

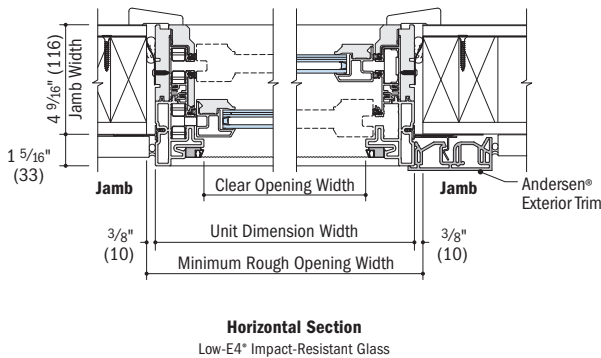
Window Number	Clear Opening Sq. Ft./ (m <sup>2</sup> )	Clear Opening in Full Open Position		Glass Area Sq. Ft./ (m <sup>2</sup> )	Vent Sq. Ft./ (m <sup>2</sup> )	Top of Subfloor to Top of Inside Sill Stop Inches/ (mm)	Overall Window Area Sq. Ft./ (m <sup>2</sup> )
		Width Inches/ (mm)	Height Inches/ (mm)				
ADH3464 ◊	8.06 (0.75)	35 3/16" (894)	33" (838)	14.85 (1.38)	8.26 (0.77)	8 7/8" (225)	20.51 (1.91)
ADH3468 ◊	8.55 (0.79)	35 3/16" (894)	35" (889)	15.76 (1.46)	8.74 (0.81)	*	21.60 (2.01)
ADH3474 ◊	9.53 (0.89)	35 3/16" (894)	39" (991)	17.57 (1.63)	9.72 (0.90)	*	23.78 (2.21)
ADH3480 ◊*	5.99 (0.56)	35 3/16" (894)	24 1/2" (622)	19.38 (1.80)	10.70 (0.99)	*	25.96 (2.41)
ADH3830	3.53 (0.33)	39 3/16" (995)	13" (330)	6.51 (0.60)	3.76 (0.35)	48 7/8" (1241)	10.59 (0.98)
ADH3834	4.08 (0.38)	39 3/16" (995)	15" (381)	7.52 (0.70)	4.31 (0.40)	44 7/8" (1140)	11.79 (1.10)
ADH3838	4.62 (0.43)	39 3/16" (995)	17" (432)	8.54 (0.79)	4.85 (0.45)	40 7/8" (1038)	12.99 (1.21)
ADH3840	5.17 (0.48)	39 3/16" (995)	19" (483)	9.56 (0.89)	5.40 (0.50)	36 7/8" (937)	14.19 (1.32)
ADH3844	5.71 (0.53)	39 3/16" (995)	21" (533)	10.57 (0.98)	5.94 (0.55)	32 7/8" (835)	15.39 (1.43)
ADH3848	6.25 (0.58)	39 3/16" (995)	23" (584)	11.59 (1.08)	6.48 (0.60)	28 7/8" (733)	16.59 (1.54)
ADH3850 ◊	6.80 (0.63)	39 3/16" (995)	25" (635)	12.61 (1.17)	7.03 (0.65)	24 7/8" (632)	17.80 (1.65)
ADH3854 ◊	7.34 (0.68)	39 3/16" (995)	27" (686)	13.62 (1.27)	7.57 (0.70)	20 7/8" (530)	19.00 (1.77)
ADH3858 ◊	7.89 (0.73)	39 3/16" (995)	29" (737)	14.64 (1.36)	8.12 (0.75)	16 7/8" (429)	20.20 (1.88)
ADH3860 ◊	8.43 (0.78)	39 3/16" (995)	31" (787)	15.66 (1.45)	8.66 (0.80)	12 7/8" (327)	21.40 (1.99)
ADH3864 ◊	8.98 (0.83)	39 3/16" (995)	33" (838)	16.67 (1.55)	9.19 (0.85)	8 7/8" (225)	22.60 (2.10)
ADH3868 ◊	9.52 (0.88)	39 3/16" (995)	39" (991)	17.69 (1.64)	9.74 (0.90)	*	23.80 (2.21)
ADH3874 ◊*	6.67 (0.62)	39 3/16" (995)	24 1/2" (622)	19.72 (1.83)	10.83 (1.01)	*	26.21 (2.43)
ADH3880 ◊*	6.67 (0.62)	39 3/16" (995)	24 1/2" (622)	21.76 (2.02)	11.92 (1.11)	*	28.61 (2.66)
ADH4030	3.89 (0.36)	43 3/16" (1097)	13" (330)	7.22 (0.67)	4.15 (0.39)	48 7/8" (1241)	11.57 (1.07)
ADH4034	4.49 (0.42)	43 3/16" (1097)	15" (381)	8.35 (0.78)	4.75 (0.44)	44 7/8" (1140)	12.88 (1.20)
ADH4038	5.09 (0.47)	43 3/16" (1097)	17" (432)	9.47 (0.88)	5.35 (0.50)	40 7/8" (1038)	14.19 (1.32)
ADH4040	5.69 (0.53)	43 3/16" (1097)	19" (483)	10.60 (0.98)	5.95 (0.55)	36 7/8" (937)	15.50 (1.44)
ADH4044	6.29 (0.58)	43 3/16" (1097)	21" (533)	11.73 (1.09)	6.55 (0.61)	32 7/8" (835)	16.82 (1.56)
ADH4048	6.89 (0.64)	43 3/16" (1097)	23" (584)	12.86 (1.19)	7.15 (0.66)	28 7/8" (733)	18.13 (1.68)
ADH4050 ◊	7.49 (0.70)	43 3/16" (1097)	25" (635)	13.99 (1.30)	7.75 (0.72)	24 7/8" (632)	19.44 (1.81)
ADH4054 ◊	8.09 (0.75)	43 3/16" (1097)	27" (686)	15.11 (1.40)	8.35 (0.78)	20 7/8" (530)	20.75 (1.93)
ADH4058 ◊	8.69 (0.81)	43 3/16" (1097)	29" (737)	16.24 (1.51)	8.95 (0.83)	16 7/8" (429)	22.07 (2.05)
ADH4060 ◊	9.29 (0.86)	43 3/16" (1097)	31" (787)	17.37 (1.61)	9.55 (0.89)	12 7/8" (327)	23.38 (2.17)
ADH4064 ◊*	7.35 (0.68)	43 3/16" (1097)	24 1/2" (622)	18.50 (1.72)	10.13 (0.94)	8 7/8" (225)	24.96 (2.32)
ADH4068 ◊*	7.35 (0.68)	43 3/16" (1097)	24 1/2" (622)	19.62 (1.82)	10.73 (1.00)	*	26.00 (2.42)
ADH4074 ◊*	7.35 (0.68)	43 3/16" (1097)	24 1/2" (622)	21.88 (2.03)	11.93 (1.11)	*	28.63 (2.66)
ADH4080 ◊*	7.35 (0.68)	43 3/16" (1097)	24 1/2" (622)	24.14 (2.24)	13.13 (1.22)	*	31.25 (2.90)

For cottage and reverse cottage sash window opening specifications contact your Andersen supplier.

A-Series Double-Hung Windows

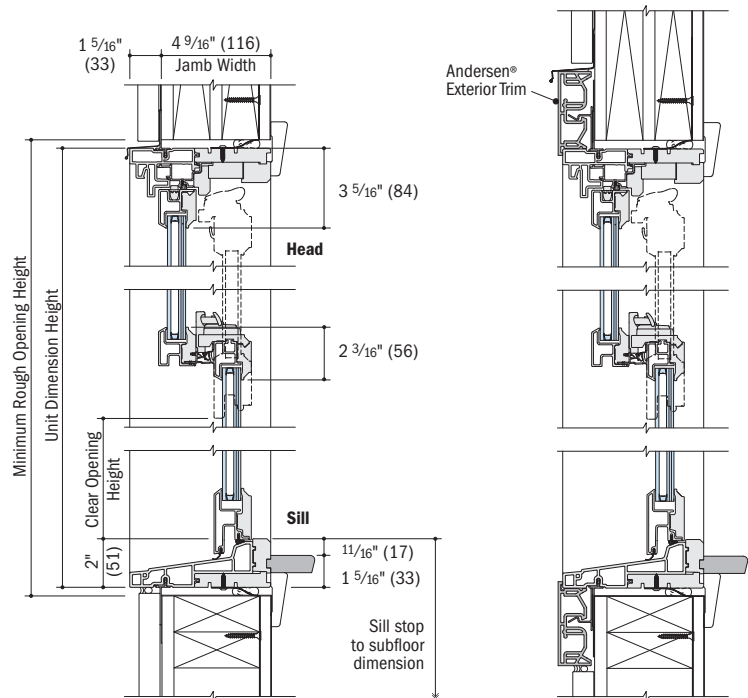
- \* "Top of Subfloor to Top of Inside Sill Stop" is calculated based upon a structural header height of 6'-10 1/2" (2096).
- Dimensions in parentheses are in millimeters or square meters.
- ◊ Meet or exceed clear opening area of 5.7 sq. ft. or 0.53 m<sup>2</sup>, clear opening width of 20" (508) and clear opening height of 24" (610).
- + Equal sash limited travel.
- \* Dimension varies depending on header height.

**Double-Hung Window Details**  
Scale 1 1/2" (38) = 1'-0" (305) – 1:8



See pages 49-51 for horizontal and vertical joining details.

- 4 9/16" (116) jamb width measurement is from backside of installation flange.
- Light-colored areas are parts included with window. Dark-colored areas are additional Andersen® parts required to complete window assembly as shown.
- Dimensions in parentheses are in millimeters.
- **Rough openings may need to be increased to allow for use of building wraps, flashing, sill panning, brackets, fasteners or other items. See installation information on page 217.**
- Details are for illustration only and are not intended to represent product installation methods or materials. Refer to product installation guides at andersenwindows.com.





**Table of Picture Window Sizes**  
Scale 1/8" (3) = 1'-0" (305) – 1:96

Window Dimension	1'-3 1/4"	1'-7 1/4"	1'-11 1/4"	2'-3 1/4"	2'-5 1/4"	2'-7 1/4"	2'-9 1/4"	2'-11 1/4"	3'-1 1/4"	3'-3 1/4"	3'-7 1/4"	3'-11 1/4"
	(387)	(489)	(591)	(692)	(743)	(794)	(845)	(895)	(946)	(997)	(1099)	(1200)
<b>Minimum Rough Opening</b>	1'-4"	1'-8"	2'-0"	2'-4"	2'-6"	2'-8"	2'-10"	3'-0"	3'-2"	3'-4"	3'-8"	4'-0"
	(406)	(508)	(610)	(711)	(762)	(813)	(864)	(914)	(965)	(1016)	(1118)	(1219)
Unobstructed Glass	8 5/8"	12 5/8"	16 5/8"	20 5/8"	22 5/8"	24 5/8"	26 5/8"	28 5/8"	30 5/8"	32 5/8"	36 5/8"	40 5/8"
	(219)	(321)	(422)	(524)	(575)	(625)	(676)	(727)	(778)	(829)	(930)	(1032)

**CUSTOM WIDTHS – 1'-3 1/4" to 5'-11 1/4"**

**CUSTOM HEIGHTS – 1'-11 1/4" to 7'-11 1/4"**

Window Dimension	1'-3 1/4"	1'-7 1/4"	1'-11 1/4"	2'-3 1/4"	2'-5 1/4"	2'-7 1/4"	2'-9 1/4"	2'-11 1/4"	3'-1 1/4"	3'-3 1/4"	3'-7 1/4"	3'-11 1/4"	4'-3 1/4"	4'-7 1/4"	4'-11 1/4"	5'-3 1/4"	5'-7 1/4"
1'-11 1/4"	APW1420	APW1820	APW2020	APW2420	APW2620	APW2820	APW21020	APW3020	APW3220	APW3420	APW3820	APW4020					
2'-3 1/4"	APW1424	APW1824	APW2024	APW2424	APW2624	APW2824	APW21024	APW3024	APW3224	APW3424	APW3824	APW4024					
2'-7 1/4"	APW1428	APW1828	APW2028	APW2428	APW2628	APW2828	APW21028	APW3028	APW3228	APW3428	APW3828	APW4028					
2'-11 1/4"	APW1430	APW1830	APW2030	APW2430	APW2630	APW2830	APW21030	APW3030	APW3230	APW3430	APW3830	APW4030					
3'-3 1/4"	APW1434	APW1834	APW2034	APW2434	APW2634	APW2834	APW21034	APW3034	APW3234	APW3434	APW3834	APW4034					
3'-7 1/4"	APW1438	APW1838	APW2038	APW2438	APW2638	APW2838	APW21038	APW3038	APW3238	APW3438	APW3838	APW4038					
3'-11 1/4"	APW1440	APW1840	APW2040	APW2440	APW2640	APW2840	APW21040	APW3040	APW3240	APW3440	APW3840	APW4040					
4'-3 1/4"	APW1444	APW1844	APW2044	APW2444	APW2644	APW2844	APW21044	APW3044	APW3244	APW3444	APW3844	APW4044					
4'-7 1/4"	APW1448	APW1848	APW2048	APW2448	APW2648	APW2848	APW21048	APW3048	APW3248	APW3448	APW3848	APW4048					
4'-11 1/4"	APW1450	APW1850	APW2050	APW2450	APW2650	APW2850	APW21050	APW3050	APW3250	APW3450	APW3850	APW4050					
5'-3 1/4"	APW1454	APW1854	APW2054	APW2454	APW2654	APW2854	APW21054	APW3054	APW3254	APW3454	APW3854	APW4054					
5'-7 1/4"	APW1458	APW1858	APW2058	APW2458	APW2658	APW2858	APW21058	APW3058	APW3258	APW3458	APW3858	APW4058					

- "Window Dimension" always refers to outside frame to frame dimension.
- "Minimum Rough Opening" dimensions may need to be increased to allow for use of building wraps, flashing, sill panning, brackets, fasteners or other items. See page 217 for more details.
- Dimensions in parentheses are in millimeters.

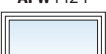

Notes on this page also apply to the previous page. Picture sizes on pages 36-39.

4'-3 1/4" (1302)	4'-7 1/4" (1403)	4'-11 1/4" (1505)	5'-3 1/4" (1607)	5'-7 1/4" (1708)	5'-11 1/4" (1810)
4'-4" (1321)	4'-8" (1422)	5'-0" (1524)	5'-4" (1626)	5'-8" (1727)	6'-0" (1829)
44 5/8" (1133)	48 5/8" (1335)	52 5/8" (1337)	56 5/8" (1438)	60 5/8" (1540)	64 5/8" (1641)



Custom-size windows are available in 1/8" (3) increments. See page 53 for custom sizes and specifications.

Grille patterns shown on page 41.

 APW4420	 APW4820	 APW5020	 APW5420	 APW5820	 APW6020
 APW4424	 APW4824	 APW5024	 APW5424	 APW5824	 APW6024
 APW4428	 APW4828	 APW5028	 APW5428	 APW5828	 APW6028
 APW4430	 APW4830	 APW5030	 APW5430	 APW5830	 APW6030
 APW4434	 APW4834	 APW5034	 APW5434	 APW5834	 APW6034
 APW4438	 APW4838	 APW5038	 APW5438	 APW5838	 APW6038
 APW4440	 APW4840	 APW5040	 APW5440	 APW5840	 APW6040
 APW4444	 APW4844	 APW5044	 APW5444	 APW5844	 APW6044
 APW4448	 APW4848	 APW5048	 APW5448	 APW5848	 APW6048
 APW4450	 APW4850	 APW5050	 APW5450	 APW5850	 APW6050
 APW4454	 APW4854	 APW5054	 APW5454	 APW5854	 APW6054
 APW4458	 APW4858	 APW5058	 APW5458	 APW5858	 APW6058

continued on next page

- "Window Dimension" always refers to outside frame to frame dimension.
- "Minimum Rough Opening" dimensions may need to be increased to allow for use of building wraps, flashing, sill panning, brackets, fasteners or other items. See page 217 for more details.
- Dimensions in parentheses are in millimeters.

**Table of Picture Window Sizes** (continued)

Scale 1/8" (3) = 1'-0" (305) – 1:96

Window Dimension	1'-3 1/4" (387)	1'-7 1/4" (489)	1'-11 1/4" (591)	2'-3 1/4" (692)	2'-5 1/4" (743)	2'-7 1/4" (794)	2'-9 1/4" (845)	2'-11 1/4" (895)	3'-1 1/4" (946)	3'-3 1/4" (997)	3'-7 1/4" (1099)	3'-11 1/4" (1200)
<b>Minimum Rough Opening</b>	1'-4" (406)	1'-8" (508)	2'-0" (610)	2'-4" (711)	2'-6" (762)	2'-8" (813)	2'-10" (864)	3'-0" (914)	3'-2" (965)	3'-4" (1016)	3'-8" (1118)	4'-0" (1219)
Unobstructed Glass	8 5/8" (219)	12 5/8" (321)	16 5/8" (422)	20 5/8" (524)	22 5/8" (575)	24 5/8" (625)	26 5/8" (676)	28 5/8" (727)	30 5/8" (778)	32 5/8" (829)	36 5/8" (930)	40 5/8" (1032)

**CUSTOM WIDTHS – 1'-3 1/4" to 5'-11 1/4"**

**CUSTOM HEIGHTS – 1'-11 1/4" to 7'-11 1/4"**

Height	1'-3 1/4"	1'-7 1/4"	1'-11 1/4"	2'-3 1/4"	2'-5 1/4"	2'-7 1/4"	2'-9 1/4"	2'-11 1/4"	3'-1 1/4"	3'-3 1/4"	3'-7 1/4"	3'-11 1/4"
5'-11 1/4" (1810)	APW1460	APW1860	APW2060	APW2460	APW2660	APW2860	APW21060	APW3060	APW3260	APW3460	APW3860	APW4060
6'-3 1/4" (1911)	APW1464	APW1864	APW2064	APW2464	APW2664	APW2864	APW21064	APW3064	APW3264	APW3464	APW3864	APW4064
6'-7 1/4" (2013)	APW1468	APW1868	APW2068	APW2468	APW2668	APW2868	APW21068	APW3068	APW3268	APW3468	APW3868	APW4068
7'-3 1/4" (2216)	APW1474	APW1874	APW2074	APW2474	APW2674	APW2874	APW21074	APW3074	APW3274	APW3474	APW3874	APW4074
7'-11 1/4" (2419)	APW1480	APW1880	APW2080	APW2480	APW2680	APW2880	APW21080	APW3080	APW3280	APW3480	APW3880	APW4080

## Picture Window Area Specifications

Window Number	Glass Area Sq. Ft./ (m <sup>2</sup> )	Overall Window Area Sq. Ft./ (m <sup>2</sup> )
APW1420	0.94 (0.09)	2.46 (0.23)
APW1424	1.18 (0.11)	2.89 (0.27)
APW1428	1.42 (0.13)	3.31 (0.31)
APW1430	1.66 (0.15)	3.73 (0.35)
APW1434	1.90 (0.18)	4.16 (0.39)
APW1438	2.14 (0.20)	4.58 (0.43)
APW1440	2.38 (0.22)	5.00 (0.46)
APW1444	2.62 (0.24)	5.43 (0.50)
APW1448	2.85 (0.26)	5.85 (0.54)
APW1450	3.09 (0.29)	6.27 (0.58)
APW1454	3.33 (0.31)	6.70 (0.62)
APW1458	3.57 (0.33)	7.12 (0.66)
APW1460	3.81 (0.35)	7.55 (0.70)
APW1464	4.05 (0.38)	7.97 (0.74)
APW1468	4.29 (0.40)	8.39 (0.78)

Window Number	Glass Area Sq. Ft./ (m <sup>2</sup> )	Overall Window Area Sq. Ft./ (m <sup>2</sup> )
APW1474	4.77 (0.44)	9.24 (0.86)
APW1480	5.24 (0.49)	10.09 (0.94)
APW1820	1.38 (0.13)	3.11 (0.29)
APW1824	1.73 (0.16)	3.64 (0.34)
APW1828	2.08 (0.19)	4.18 (0.39)
APW1830	2.43 (0.23)	4.71 (0.44)
APW1834	2.78 (0.26)	5.25 (0.49)
APW1838	3.13 (0.29)	5.78 (0.54)
APW1840	3.48 (0.32)	6.32 (0.59)
APW1844	3.83 (0.36)	6.85 (0.64)
APW1848	4.18 (0.39)	7.39 (0.69)
APW1850	4.53 (0.42)	7.92 (0.74)
APW1854	4.88 (0.45)	8.46 (0.79)
APW1858	5.23 (0.49)	8.99 (0.84)
APW1860	5.58 (0.52)	9.52 (0.88)

Window Number	Glass Area Sq. Ft./ (m <sup>2</sup> )	Overall Window Area Sq. Ft./ (m <sup>2</sup> )
APW1864	5.93 (0.55)	10.06 (0.93)
APW1868	6.28 (0.58)	10.59 (0.98)
APW1874	6.98 (0.65)	11.66 (1.08)
APW1880	7.68 (0.71)	12.73 (1.18)
APW2020	1.82 (0.17)	3.75 (0.35)
APW2024	2.28 (0.21)	4.40 (0.41)
APW2028	2.74 (0.25)	5.05 (0.47)
APW2030	3.20 (0.30)	5.69 (0.53)
APW2034	3.67 (0.34)	6.34 (0.59)
APW2038	4.13 (0.38)	6.98 (0.65)
APW2040	4.59 (0.43)	7.63 (0.71)
APW2044	5.05 (0.47)	8.27 (0.77)
APW2048	5.51 (0.51)	8.92 (0.83)
APW2050	5.97 (0.55)	9.57 (0.89)

• Dimensions in parentheses are in square meters.

continued on next page



Notes on this page also apply to the previous page. Picture sizes on pages 36-39.

4'-3 1/4" (1302)	4'-7 1/4" (1403)	4'-11 1/4" (1505)	5'-3 1/4" (1607)	5'-7 1/4" (1708)	5'-11 1/4" (1810)
4'-4" (1321)	4'-8" (1422)	5'-0" (1524)	5'-4" (1626)	5'-8" (1727)	6'-0" (1829)
44 5/8" (1133)	48 5/8" (1335)	52 5/8" (1337)	56 5/8" (1438)	60 5/8" (1540)	64 5/8" (1641)



Custom-size windows are available in 1/8" (3) increments. See page 53 for custom sizes and specifications.

Grille patterns shown on page 41.



- "Window Dimension" always refers to outside frame to frame dimension.
- "Minimum Rough Opening" dimensions may need to be increased to allow for use of building wraps, flashing, sill panning, brackets, fasteners or other items. See page 217 for more details.
- Dimensions in parentheses are in millimeters.
- Tempered laminated glass required. Some visual distortion may occur.

**Picture Window Area Specifications** (continued)

Window Number	Glass Area Sq. Ft./ (m <sup>2</sup> )	Overall Window Area Sq. Ft./ (m <sup>2</sup> )
APW2054	6.43 (0.60)	10.21 (0.95)
APW2058	6.89 (0.64)	10.86 (1.01)
APW2060	7.35 (0.68)	11.50 (1.07)
APW2064	7.82 (0.73)	12.15 (1.13)
APW2068	8.28 (0.77)	12.80 (1.19)
APW2074	9.20 (0.85)	14.09 (1.31)
APW2080	10.12 (0.94)	15.38 (1.43)
APW2420	2.26 (0.21)	4.40 (0.41)
APW2424	2.83 (0.26)	5.16 (0.48)
APW2428	3.40 (0.32)	5.91 (0.55)
APW2430	3.98 (0.37)	6.67 (0.62)
APW2434	4.55 (0.42)	7.43 (0.69)
APW2438	5.12 (0.48)	8.18 (0.76)
APW2440	5.69 (0.53)	8.94 (0.83)
APW2444	6.27 (0.58)	9.70 (0.90)

Window Number	Glass Area Sq. Ft./ (m <sup>2</sup> )	Overall Window Area Sq. Ft./ (m <sup>2</sup> )
APW2448	6.84 (0.64)	10.46 (0.97)
APW2450	7.41 (0.69)	11.21 (1.04)
APW2454	7.98 (0.74)	11.97 (1.11)
APW2458	8.55 (0.79)	12.73 (1.18)
APW2460	9.13 (0.85)	13.48 (1.25)
APW2464	9.70 (0.90)	14.24 (1.32)
APW2468	10.27 (0.95)	15.00 (1.39)
APW2474	11.42 (1.06)	16.51 (1.53)
APW2480	12.56 (1.17)	18.02 (1.67)
APW2620	2.48 (0.23)	4.72 (0.44)
APW2624	3.11 (0.29)	5.54 (0.51)
APW2628	3.74 (0.35)	6.35 (0.59)
APW2630	4.36 (0.41)	7.16 (0.67)
APW2634	4.99 (0.46)	7.97 (0.74)
APW2638	5.62 (0.52)	8.79 (0.82)

Window Number	Glass Area Sq. Ft./ (m <sup>2</sup> )	Overall Window Area Sq. Ft./ (m <sup>2</sup> )
APW2640	6.25 (0.58)	9.60 (0.89)
APW2644	6.87 (0.64)	10.41 (0.97)
APW2648	7.50 (0.70)	11.22 (1.04)
APW2650	8.13 (0.76)	12.04 (1.12)
APW2654	8.76 (0.81)	12.85 (1.19)
APW2658	9.39 (0.87)	13.66 (1.27)
APW2660	10.01 (0.93)	14.47 (1.34)
APW2664	10.64 (0.99)	15.29 (1.42)
APW2668	11.27 (1.05)	16.10 (1.50)
APW2674	12.52 (1.16)	17.72 (1.65)
APW2680	13.78 (1.28)	19.35 (1.80)
APW2820	2.70 (0.25)	5.05 (0.47)
APW2824	3.38 (0.31)	5.91 (0.55)
APW2828	4.07 (0.38)	6.78 (0.63)

• Dimensions in parentheses are in square meters.

continued on next page

## Picture Window Area Specifications *(continued)*

Window Number	Glass Area Sq. Ft./ $(m^2)$	Overall Window Area Sq. Ft./ $(m^2)$
APW2830	4.75 (0.44)	7.65 (0.71)
APW2834	5.43 (0.50)	8.52 (0.79)
APW2838	6.12 (0.57)	9.39 (0.87)
APW2840	6.80 (0.63)	10.25 (0.95)
APW2844	7.48 (0.69)	11.12 (1.03)
APW2848	8.17 (0.76)	11.99 (1.11)
APW2850	8.85 (0.82)	12.86 (1.19)
APW2854	9.53 (0.89)	13.73 (1.28)
APW2858	10.22 (0.95)	14.59 (1.36)
APW2860	10.90 (1.01)	15.46 (1.44)
APW2864	11.58 (1.08)	16.33 (1.52)
APW2868	12.27 (1.14)	17.20 (1.60)
APW2874	13.63 (1.27)	18.93 (1.76)
APW2880	15.00 (1.39)	20.67 (1.92)
APW21020	2.92 (0.27)	5.37 (0.50)
APW21024	3.66 (0.34)	6.29 (0.58)
APW21024	3.66 (0.34)	6.29 (0.58)
APW21028	4.40 (0.41)	7.22 (0.67)
APW21030	5.14 (0.48)	8.14 (0.76)
APW21034	5.87 (0.55)	9.06 (0.84)
APW21038	6.61 (0.61)	9.99 (0.93)
APW21040	7.35 (0.68)	10.91 (1.01)
APW21044	8.09 (0.75)	11.83 (1.10)
APW21048	8.83 (0.82)	12.76 (1.19)
APW21050	9.57 (0.89)	13.68 (1.27)
APW21054	10.31 (0.96)	14.60 (1.36)
APW21058	11.05 (1.03)	15.53 (1.44)
APW21060	11.79 (1.10)	16.45 (1.53)
APW21064	12.52 (1.16)	17.38 (1.61)
APW21068	13.26 (1.23)	18.30 (1.70)
APW21074	14.74 (1.37)	20.15 (1.87)
APW21080	16.22 (1.51)	21.99 (2.04)
APW3020	3.14 (0.29)	5.69 (0.53)
APW3024	3.93 (0.37)	6.67 (0.62)
APW3028	4.73 (0.44)	7.65 (0.71)
APW3030	5.52 (0.51)	8.63 (0.80)
APW3034	6.32 (0.59)	9.61 (0.89)
APW3038	7.11 (0.66)	10.59 (0.98)
APW3040	7.90 (0.73)	11.57 (1.07)
APW3044	8.70 (0.81)	12.55 (1.17)
APW3044	8.70 (0.81)	12.55 (1.17)
APW3048	9.49 (0.88)	13.52 (1.26)
APW3050	10.29 (0.96)	14.50 (1.35)
APW3054	11.08 (1.03)	15.48 (1.44)
APW3058	11.88 (1.10)	16.46 (1.53)
APW3060	12.67 (1.18)	17.44 (1.62)
APW3064	13.47 (1.25)	18.42 (1.71)
APW3068	14.26 (1.32)	19.40 (1.80)
APW3074	15.85 (1.47)	21.36 (1.98)
APW3080	17.44 (1.62)	23.32 (2.17)
APW3220	3.36 (0.31)	6.01 (0.56)
APW3224	4.21 (0.39)	7.05 (0.65)
APW3228	5.06 (0.47)	8.08 (0.75)
APW3230	5.91 (0.55)	9.12 (0.85)
APW3234	6.76 (0.63)	10.15 (0.94)
APW3238	7.61 (0.71)	11.19 (1.04)
APW3240	8.46 (0.79)	12.22 (1.14)
APW3244	9.31 (0.86)	13.26 (1.23)
APW3248	10.16 (0.94)	14.29 (1.33)
APW3250	11.01 (1.02)	15.33 (1.42)
APW3254	11.86 (1.10)	16.36 (1.52)

Window Number	Glass Area Sq. Ft./ $(m^2)$	Overall Window Area Sq. Ft./ $(m^2)$
APW3258	12.71 (1.18)	17.40 (1.62)
APW3260	13.56 (1.26)	18.43 (1.71)
APW3264	14.41 (1.34)	19.47 (1.81)
APW3268	15.26 (1.42)	20.50 (1.90)
APW3274	16.96 (1.58)	22.57 (2.10)
APW3280	18.66 (1.73)	24.64 (2.29)
APW3420	3.58 (0.33)	6.34 (0.59)
APW3424	4.48 (0.42)	7.43 (0.69)
APW3428	5.39 (0.50)	8.52 (0.79)
APW3430	6.29 (0.58)	9.61 (0.89)
APW3434	7.20 (0.67)	10.70 (0.99)
APW3438	8.10 (0.75)	11.79 (1.10)
APW3440	9.01 (0.84)	12.88 (1.20)
APW3444	9.92 (0.92)	13.97 (1.30)
APW3448	10.82 (1.01)	15.06 (1.40)
APW3450	11.73 (1.09)	16.15 (1.50)
APW3454	12.63 (1.17)	17.24 (1.60)
APW3458	13.54 (1.26)	18.33 (1.70)
APW3460	14.44 (1.34)	19.42 (1.80)
APW3464	15.35 (1.43)	20.51 (1.91)
APW3468	16.25 (1.51)	21.60 (2.01)
APW3474	18.07 (1.68)	23.78 (2.21)
APW3480	19.88 (1.85)	25.96 (2.41)
APW3820	4.02 (0.37)	6.98 (0.65)
APW3824	5.03 (0.47)	8.18 (0.76)
APW3828	6.05 (0.56)	9.39 (0.87)
APW3830	7.07 (0.66)	10.59 (0.98)
APW3834	8.08 (0.75)	11.79 (1.10)
APW3838	9.10 (0.85)	12.99 (1.21)
APW3840	10.12 (0.94)	14.19 (1.32)
APW3844	11.13 (1.03)	15.39 (1.43)
APW3848	12.15 (1.13)	16.59 (1.54)
APW3850	13.17 (1.22)	17.80 (1.65)
APW3854	14.18 (1.32)	19.00 (1.77)
APW3858	15.20 (1.41)	20.20 (1.88)
APW3860	16.22 (1.51)	21.40 (1.99)
APW3864	17.23 (1.60)	22.60 (2.10)
APW3868	18.25 (1.70)	23.80 (2.21)
APW3874	20.28 (1.88)	26.21 (2.43)
APW3880	22.32 (2.07)	28.61 (2.66)
APW4020	4.45 (0.41)	7.63 (0.71)
APW4024	5.58 (0.52)	8.94 (0.83)
APW4028	6.71 (0.62)	10.25 (0.95)
APW4030	7.84 (0.73)	11.57 (1.07)
APW4034	8.97 (0.83)	12.88 (1.20)
APW4038	10.09 (0.94)	14.19 (1.32)
APW4040	11.22 (1.04)	15.50 (1.44)
APW4044	12.35 (1.15)	16.82 (1.56)
APW4048	13.48 (1.25)	18.13 (1.68)
APW4050	14.60 (1.36)	19.44 (1.81)
APW4054	15.73 (1.46)	20.75 (1.93)
APW4058	16.86 (1.57)	22.07 (2.05)
APW4060	17.99 (1.67)	23.38 (2.17)
APW4064	19.12 (1.78)	24.69 (2.29)
APW4068	20.24 (1.88)	26.00 (2.42)
APW4074	22.50 (2.09)	28.63 (2.66)
APW4080	24.75 (2.30)	31.25 (2.90)
APW4420	4.89 (0.45)	8.27 (0.77)
APW4424	6.13 (0.57)	9.70 (0.90)
APW4428	7.37 (0.68)	11.12 (1.03)
APW4430	8.61 (0.80)	12.55 (1.17)

Window Number	Glass Area Sq. Ft./ $(m^2)$	Overall Window Area Sq. Ft./ $(m^2)$
APW4434	9.85 (0.92)	13.97 (1.30)
APW4438	11.09 (1.03)	15.39 (1.43)
APW4440	12.33 (1.15)	16.82 (1.56)
APW4444	13.57 (1.26)	18.24 (1.69)
APW4448	14.80 (1.37)	19.66 (1.83)
APW4450	16.04 (1.49)	21.09 (1.96)
APW4454	17.28 (1.61)	22.51 (2.09)
APW4458	18.52 (1.72)	23.93 (2.22)
APW4460	19.76 (1.84)	25.36 (2.36)
APW4464	21.00 (1.95)	26.78 (2.49)
APW4468	22.24 (2.07)	28.21 (2.62)
APW4474	24.72 (2.30)	31.05 (2.88)
APW4480	27.19 (2.53)	33.90 (3.15)
APW4820	5.33 (0.50)	8.92 (0.83)
APW4824	6.68 (0.62)	10.46 (0.97)
APW4828	8.03 (0.75)	11.99 (1.11)
APW4830	9.38 (0.87)	13.52 (1.26)
APW4834	10.73 (1.00)	15.06 (1.40)
APW4838	12.08 (1.12)	16.59 (1.54)
APW4840	13.43 (1.25)	18.13 (1.68)
APW4844	14.78 (1.37)	19.66 (1.83)
APW4848	16.13 (1.50)	21.20 (1.97)
APW4850	17.48 (1.62)	22.73 (2.11)
APW4854	18.83 (1.75)	24.27 (2.25)
APW4858	20.18 (1.87)	25.80 (2.40)
APW4860	21.53 (2.00)	27.34 (2.54)
APW4864	22.88 (2.13)	28.87 (2.68)
APW4868	24.23 (2.25)	30.41 (2.83)
APW4874	26.93 (2.50)	33.48 (3.11)
APW4880	29.63 (2.75)	36.55 (3.40)
APW5020	5.77 (0.54)	9.57 (0.89)
APW5024	7.23 (0.67)	11.21 (1.04)
APW5028	8.69 (0.81)	12.86 (1.19)
APW5030	10.15 (0.94)	14.50 (1.35)
APW5034	11.62 (1.08)	16.15 (1.50)
APW5038	13.08 (1.22)	17.80 (1.65)
APW5040	14.54 (1.35)	19.44 (1.81)
APW5044	16.00 (1.49)	21.09 (1.96)
APW5048	17.46 (1.62)	22.73 (2.11)
APW5050	18.92 (1.76)	24.38 (2.26)
APW5054	20.38 (1.89)	26.02 (2.42)
APW5058	21.84 (2.03)	27.67 (2.57)
APW5060	23.30 (2.16)	29.32 (2.72)
APW5064	24.77 (2.30)	30.96 (2.88)
APW5068	26.23 (2.44)	32.61 (3.03)
APW5074	29.15 (2.71)	35.90 (3.34)
APW5080	32.07 (2.98)	39.19 (3.64)
APW5420	6.21 (0.58)	10.21 (0.95)
APW5424	7.78 (0.72)	11.97 (1.11)
APW5428	9.35 (0.87)	13.73 (1.28)
APW5430	10.93 (1.02)	15.48 (1.44)
APW5434	12.50 (1.16)	17.24 (1.60)
APW5438	14.07 (1.31)	19.00 (1.77)
APW5440	15.64 (1.45)	20.75 (1.93)
APW5444	17.22 (1.60)	22.51 (2.09)
APW5448	18.79 (1.75)	24.27 (2.25)
APW5450	20.36 (1.89)	26.02 (2.42)
APW5454	21.93 (2.04)	27.78 (2.58)
APW5458	23.50 (2.18)	29.54 (2.74)
APW5460	25.08 (2.33)	31.30 (2.91)

• Dimensions in parentheses are in square meters.

*continued on next page*

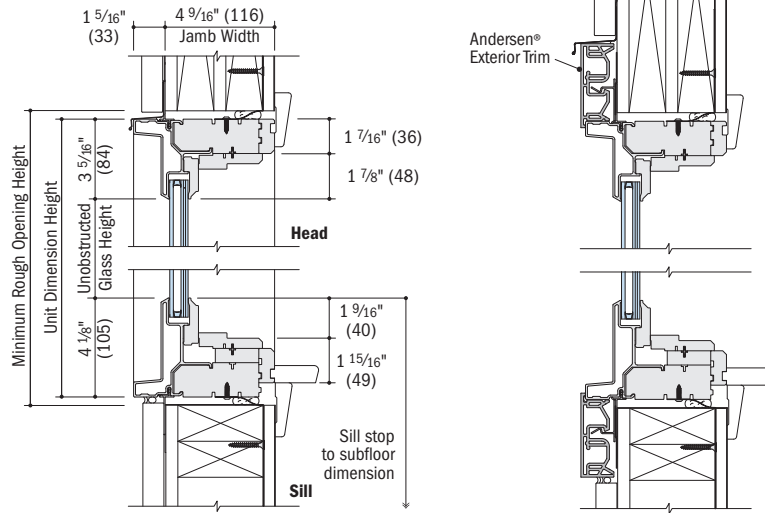
**Picture Window Area Specifications** (continued)

Window Number	Glass Area Sq. Ft./ (m <sup>2</sup> )	Overall Window Area Sq. Ft./ (m <sup>2</sup> )
APW5464	26.65 (2.48)	33.05 (3.07)
APW5468	28.22 (2.62)	34.81 (3.23)
APW5474	31.37 (2.91)	38.32 (3.56)
APW5480	34.51 (3.21)	41.84 (3.89)
APW5820	6.65 (0.62)	10.86 (1.01)
APW5824	8.33 (0.77)	12.73 (1.18)
APW5828	10.02 (0.93)	14.59 (1.36)
APW5830	11.70 (1.09)	16.46 (1.53)
APW5834	13.38 (1.24)	18.33 (1.70)
APW5838	15.07 (1.40)	20.20 (1.88)
APW5840	16.75 (1.56)	22.07 (2.05)
APW5844	18.43 (1.71)	23.93 (2.22)
APW5848	20.12 (1.87)	25.80 (2.40)
APW5850	21.80 (2.03)	27.67 (2.57)
APW5854	23.48 (2.18)	29.54 (2.74)
APW5858	25.17 (2.34)	31.41 (2.92)
APW5860	26.85 (2.49)	33.27 (3.09)
APW5864	28.53 (2.65)	35.14 (3.26)
APW5868	30.22 (2.81)	37.01 (3.44)
APW5874	33.58 (3.12)	40.75 (3.79)
APW5880	36.95 (3.43)	44.48 (4.13)
APW6020	7.09 (0.66)	11.50 (1.07)
APW6024	8.88 (0.82)	13.48 (1.25)
APW6028	10.68 (0.99)	15.46 (1.44)
APW6030	12.47 (1.16)	17.44 (1.62)
APW6034	14.27 (1.33)	19.42 (1.80)
APW6038	16.06 (1.49)	21.40 (1.99)
APW6040	17.85 (1.66)	23.38 (2.17)
APW6044	19.65 (1.83)	25.36 (2.36)
APW6048	21.44 (1.99)	27.34 (2.54)
APW6050	23.24 (2.16)	29.32 (2.72)
APW6054	25.03 (2.33)	31.30 (2.91)
APW6058	26.83 (2.49)	33.27 (3.09)
APW6060	28.62 (2.66)	35.25 (3.27)
APW6064	30.42 (2.83)	37.23 (3.46)
APW6068	32.21 (2.99)	39.21 (3.64)
APW6074	35.80 (3.33)	43.17 (4.01)
APW6080	39.39 (3.66)	47.13 (4.38)

• Dimensions in parentheses are in square meters.

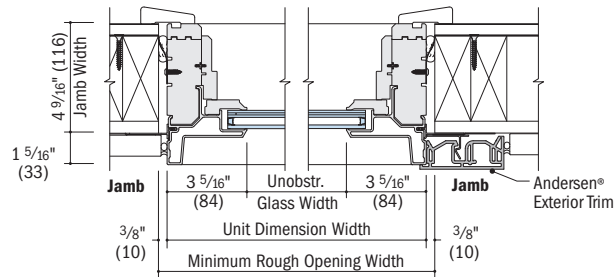
**Picture Window Details**

Scale 1 1/2" (38) = 1'-0" (305) – 1:8



**Vertical Sections**

Low-E4\* Impact-Resistant Glass



**Horizontal Section**

Low-E4\* Impact-Resistant Glass

See pages 49-51 for horizontal and vertical joining details.

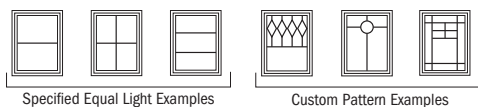
- 4 9/16" (116) jamb width measurement is from backside of installation flange.
- Light-colored areas are parts included with window. Dark-colored areas are additional Andersen® parts required to complete window assembly as shown.
- Dimensions in parentheses are in millimeters.
- **Rough openings may need to be increased to allow for use of building wraps, flashing, sill panning, brackets, fasteners or other items. See installation information on page 217.**
- Details are for illustration only and are not intended to represent product installation methods or materials. Refer to product installation guides at andersenwindows.com.

**Grille Patterns**

	Queen Anne	Diamond	Prairie A	Specified Equal Light with Check Rail (Simulated Check Rail)	Colonial	Modified* Colonial	Modified* Colonial SCR (Simulated Check Rail)	Tall Fractional	Tall Fractional SCR (Simulated Check Rail)	Short Fractional	Short Fractional SCR (Simulated Check Rail)
<b>Picture</b>											

• Andersen® Finelight™ grilles available in 3/4" (19) profile only.

\* Location from top of window to bottom of divided light pattern is available at 8" (203), 10" (254), 12" (305), center and at custom dimensions.



**Number of lights and overall pattern varies with window size. Patterns shown may not be available for all sizes.** Specified equal light and custom patterns are also available. For picture window patterns that require alignment with double-hung patterns, identify the double-hung sash style (equal, cottage, reverse cottage) when ordering. For more information on divided light see pages 18-19 or visit andersenwindows.com/grilles.

A-Series Picture Windows

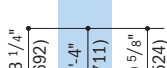
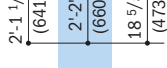
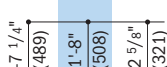
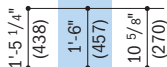
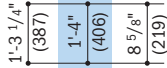


## Table of Transom Window Sizes

Scale 1/8" (3) = 1'-0" (305) – 1:96

Unit Dimension	1'-3 1/4"	1'-7 1/4"	1'-11 1/4"	2'-3 1/4"	2'-5 1/4"	2'-7 1/4"	2'-9 1/4"	2'-11 1/4"	3'-1 1/4"	3'-3 1/4"	3'-7 1/4"	3'-11 1/4"
	(387)	(489)	(591)	(692)	(743)	(794)	(845)	(895)	(946)	(997)	(1099)	(1200)
<b>Minimum Rough Opening</b>	1'-4"	1'-8"	2'-0"	2'-4"	2'-6"	2'-8"	2'-10"	3'-0"	3'-2"	3'-4"	3'-8"	4'-0"
	(406)	(508)	(610)	(711)	(762)	(813)	(864)	(914)	(965)	(1016)	(1118)	(1219)
Unobstructed Glass	8 5/8"	12 5/8"	16 5/8"	20 5/8"	22 5/8"	24 5/8"	26 5/8"	28 5/8"	30 5/8"	32 5/8"	36 5/8"	40 5/8"
	(219)	(321)	(422)	(524)	(575)	(625)	(676)	(727)	(778)	(829)	(930)	(1032)

**CUSTOM WIDTHS (stationary)** – Vary based on height. See page 53.



**CUSTOM HEIGHTS (stationary)** – Vary based on width. See page 53.

**CUSTOM HEIGHTS (venting)** – Vary based on width. See page 53.

**CUSTOM WIDTHS (venting)** – Vary based on height. See page 53.

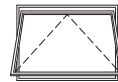
Notes on this page also apply to the previous page. Transom sizes on pages 42-45.

4'-3 1/4" (1302)	4'-7 1/4" (1403)	4'-11 1/4" (1505)	5'-3 1/4" (1607)	5'-7 1/4" (1708)	5'-11 1/4" (1810)
4'-4" (1321)	4'-8" (1422)	5'-0" (1524)	5'-4" (1626)	5'-8" (1727)	6'-0" (1829)
44 5/8" (1133)	48 5/8" (1335)	52 5/8" (1337)	56 5/8" (1438)	60 5/8" (1540)	64 5/8" (1641)

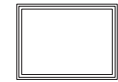


Custom-size windows are available in 1/8" (3) increments. See page 53 for custom sizes and specifications.

ATF4410	ATF4810	ATF5010	ATF5410	ATF5810	ATF6010
ATF4414	ATF4814	ATF5014	ATF5414	ATF5814	ATF6014
ATV4414	ATV4814	ATV5014			
ATF4416	ATF4816	ATF5016	ATF5416	ATF5816	ATF6016
ATV4416	ATV4816	ATV5016			
ATF4418	ATF4818	ATF5018	ATF5418	ATF5818	ATF6018
ATV4418	ATV4818	ATV5018			
ATF44110	ATF48110	ATF50110	ATF54110	ATF58110	ATF60110
ATV44110	ATV48110	ATV50110			
ATF4420	ATF4820	ATF5020	ATF5420	ATF5820	ATF6020
ATV4420	ATV4820	ATV5020			
ATF4422	ATF4822	ATF5022	ATF5422	ATF5822	ATF6022
ATV4422	ATV4822	ATV5022			
ATF4424	ATF4824	ATF5024	ATF5424	ATF5824	ATF6024
ATV4424	ATV4824	ATV5024			
ATF4426	ATF4826	ATF5026	ATF5426	ATF5826	ATF6026
ATV4426	ATV4826	ATV5026			
ATF4428	ATF4828	ATF5028	ATF5428	ATF5828	ATF6028
ATV4428	ATV4828	ATV5028			



Venting Transom



Stationary Transom

Choose venting (ATV) or stationary (ATF).

**Venting window must be installed to vent as shown and should not be rotated and used as a hopper.**

Grille patterns shown on page 48.

- "Window Dimension" always refers to outside frame to frame dimension.
- "Minimum Rough Opening" dimensions may need to be increased to allow for use of building wraps, flashing, sill panning, brackets, fasteners or other items. See page 217 for more details.
- Dimensions in parentheses are in millimeters.

*continued on next page*

**Table of Transom Window Sizes** (continued)

Scale 1/8" (3) = 1'-0" (305) – 1:96

Window Dimension	1'-3 1/4" (387)	1'-7 1/4" (489)	1'-11 1/4" (591)	2'-3 1/4" (692)	2'-5 1/4" (743)	2'-7 1/4" (794)	2'-9 1/4" (845)	2'-11 1/4" (895)	3'-1 1/4" (946)	3'-3 1/4" (997)	3'-7 1/4" (1099)	3'-11 1/4" (1200)
<b>Minimum Rough Opening</b>	1'-4" (406)	1'-8" (508)	2'-0" (610)	2'-4" (711)	2'-6" (762)	2'-8" (813)	2'-10" (864)	3'-0" (914)	3'-2" (965)	3'-4" (1016)	3'-8" (1118)	4'-0" (1219)
Unobstructed Glass	8 5/8" (219)	12 5/8" (321)	16 5/8" (422)	20 5/8" (524)	22 5/8" (575)	24 5/8" (625)	26 5/8" (676)	28 5/8" (727)	30 5/8" (778)	32 5/8" (829)	36 5/8" (930)	40 5/8" (1032)

2'-11 1/4" (895)	3'-0" (914)	28 5/8" (727)												
ATF1430	ATF1830	ATF2030	ATF2430	ATF2630	ATF2830	ATF21030	ATF3030	ATF3230	ATF3430	ATF3830	ATF4030			
3'-3 1/4" (997)	3'-4" (1016)	32 5/8" (829)												
ATF1434	ATF1834	ATF2034	ATF2434	ATF2634	ATF2834	ATF21034	ATF3034	ATF3234	ATF3434	ATF3834	ATF4034			

- "Window Dimension" always refers to outside frame to frame dimension.
- "Minimum Rough Opening" dimensions may need to be increased to allow for use of building wraps, flashing, sill panning, brackets, fasteners or other items. See page 217 for more details.
- Dimensions in parentheses are in millimeters.

## Venting Transom Window Opening and Area Specifications

Window Number	Clear Opening Sq. Ft./ (m <sup>2</sup> )	Clear Opening in Full Open Position		Glass Area Sq. Ft./ (m <sup>2</sup> )	Vent Sq. Ft./ (m <sup>2</sup> )	Top of Subfloor to Top of Inside Sill Stop Inches/(mm)	Overall Window Area Sq. Ft./ (m <sup>2</sup> )
		Width Inches/(mm)	Depth Inches/(mm)				
ATV1814	0.59 (0.05)	14 5/16" (364)	5 7/8" (149)	0.75 (0.07)	0.59 (0.05)	69 1/2" (1765)	2.04 (0.19)
ATV2014	0.75 (0.07)	18 5/16" (465)	5 7/8" (149)	0.99 (0.09)	0.75 (0.07)	69 1/2" (1765)	2.46 (0.23)
ATV2414	0.91 (0.08)	22 5/16" (567)	5 7/8" (149)	1.23 (0.11)	0.91 (0.08)	69 1/2" (1765)	2.89 (0.27)
ATV2614	0.99 (0.09)	24 5/16" (618)	5 7/8" (149)	1.35 (0.13)	0.99 (0.09)	69 1/2" (1765)	3.10 (0.29)
ATV2814	1.08 (0.10)	26 5/16" (668)	5 7/8" (149)	1.47 (0.14)	1.08 (0.10)	69 1/2" (1765)	3.31 (0.31)
ATV21014	1.16 (0.11)	28 5/16" (719)	5 7/8" (149)	1.59 (0.15)	1.16 (0.11)	69 1/2" (1765)	3.52 (0.33)
ATV3014	1.24 (0.12)	30 5/16" (770)	5 7/8" (149)	1.71 (0.16)	1.24 (0.12)	69 1/2" (1765)	3.73 (0.35)
ATV3214	1.32 (0.12)	32 5/16" (821)	5 7/8" (149)	1.83 (0.17)	1.32 (0.12)	69 1/2" (1765)	3.95 (0.37)
ATV3414	1.40 (0.13)	34 5/16" (872)	5 7/8" (149)	1.95 (0.18)	1.40 (0.13)	69 1/2" (1765)	4.16 (0.39)
ATV3814	1.57 (0.15)	38 5/16" (973)	5 7/8" (149)	2.19 (0.20)	1.57 (0.15)	69 1/2" (1765)	4.58 (0.43)
ATV4014	1.73 (0.16)	42 5/16" (1075)	5 7/8" (149)	2.43 (0.23)	1.73 (0.16)	69 1/2" (1765)	5.00 (0.46)
ATV4414	1.90 (0.18)	46 5/16" (1176)	5 7/8" (149)	2.66 (0.25)	1.90 (0.18)	69 1/2" (1765)	5.43 (0.50)
ATV4814	2.06 (0.19)	50 5/16" (1278)	5 7/8" (149)	2.90 (0.27)	2.06 (0.19)	69 1/2" (1765)	5.85 (0.54)
ATV5014	2.22 (0.21)	54 5/16" (1380)	5 7/8" (149)	3.14 (0.29)	2.22 (0.21)	69 1/2" (1765)	6.28 (0.58)
ATV1816	0.59 (0.05)	14 5/16" (364)	5 7/8" (149)	0.93 (0.09)	0.59 (0.05)	67 1/2" (1715)	2.31 (0.21)
ATV2016	0.75 (0.07)	18 5/16" (465)	5 7/8" (149)	1.22 (0.11)	0.75 (0.07)	67 1/2" (1715)	2.79 (0.26)
ATV2416	0.91 (0.08)	22 5/16" (567)	5 7/8" (149)	1.52 (0.14)	0.91 (0.08)	67 1/2" (1715)	3.26 (0.30)
ATV2616	0.99 (0.09)	24 5/16" (618)	5 7/8" (149)	1.66 (0.15)	0.99 (0.09)	67 1/2" (1715)	3.50 (0.33)
ATV2816	1.08 (0.10)	26 5/16" (668)	5 7/8" (149)	1.81 (0.17)	1.08 (0.10)	67 1/2" (1715)	3.74 (0.35)
ATV21016	1.16 (0.11)	28 5/16" (719)	5 7/8" (149)	1.96 (0.18)	1.16 (0.11)	67 1/2" (1715)	3.98 (0.37)
ATV3016	1.24 (0.12)	30 5/16" (770)	5 7/8" (149)	2.11 (0.20)	1.24 (0.12)	67 1/2" (1715)	4.22 (0.39)
ATV3216	1.32 (0.12)	32 5/16" (821)	5 7/8" (149)	2.25 (0.21)	1.32 (0.12)	67 1/2" (1715)	4.46 (0.41)
ATV3416	1.40 (0.13)	34 5/16" (872)	5 7/8" (149)	2.40 (0.22)	1.40 (0.13)	67 1/2" (1715)	4.70 (0.44)
ATV3816	1.57 (0.15)	38 5/16" (973)	5 7/8" (149)	2.69 (0.25)	1.57 (0.15)	67 1/2" (1715)	5.18 (0.48)
ATV4016	1.73 (0.16)	42 5/16" (1075)	5 7/8" (149)	2.99 (0.28)	1.73 (0.16)	67 1/2" (1715)	5.66 (0.53)
ATV4416	1.90 (0.18)	46 5/16" (1176)	5 7/8" (149)	3.28 (0.30)	1.90 (0.18)	67 1/2" (1715)	6.14 (0.57)
ATV4816	2.06 (0.19)	50 5/16" (1278)	5 7/8" (149)	3.58 (0.33)	2.06 (0.19)	67 1/2" (1715)	6.62 (0.62)
ATV5016	2.22 (0.21)	54 5/16" (1380)	5 7/8" (149)	3.87 (0.36)	2.22 (0.21)	67 1/2" (1715)	7.10 (0.66)
ATV1818	0.59 (0.05)	14 5/16" (364)	5 7/8" (149)	1.10 (0.10)	0.59 (0.05)	65 1/2" (1664)	2.57 (0.24)
ATV2018	0.75 (0.07)	18 5/16" (465)	5 7/8" (149)	1.45 (0.13)	0.75 (0.07)	65 1/2" (1664)	3.11 (0.29)
ATV2418	0.91 (0.08)	22 5/16" (567)	5 7/8" (149)	1.80 (0.17)	0.91 (0.08)	65 1/2" (1664)	3.64 (0.34)
ATV2618	0.99 (0.09)	24 5/16" (618)	5 7/8" (149)	1.98 (0.18)	0.99 (0.09)	65 1/2" (1664)	3.91 (0.36)
ATV2818	1.08 (0.10)	26 5/16" (668)	5 7/8" (149)	2.15 (0.20)	1.08 (0.10)	65 1/2" (1664)	4.18 (0.39)
ATV21018	1.16 (0.11)	28 5/16" (719)	5 7/8" (149)	2.33 (0.22)	1.16 (0.11)	65 1/2" (1664)	4.45 (0.41)
ATV3018	1.24 (0.12)	30 5/16" (770)	5 7/8" (149)	2.50 (0.23)	1.24 (0.12)	65 1/2" (1664)	4.71 (0.44)
ATV3218	1.32 (0.12)	32 5/16" (821)	5 7/8" (149)	2.68 (0.25)	1.32 (0.12)	65 1/2" (1664)	4.98 (0.46)

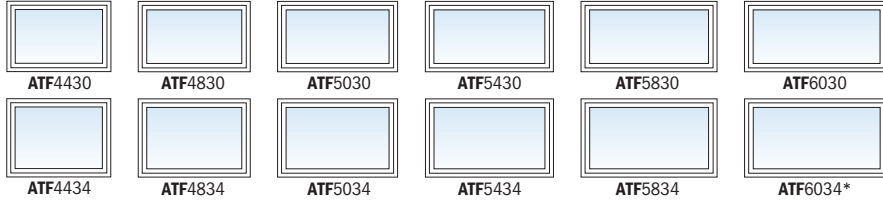
- "Top of Subfloor to Top of Inside Sill Stop" is calculated based upon a structural header height of 6'-10 1/2" (2096).
- Dimensions in parentheses are in millimeters or square meters.

continued on next page



Notes on this page also apply to the previous page. Transom sizes on pages 42-45.

4'-3 1/4" (1302)	4'-7 1/4" (1403)	4'-11 1/4" (1505)	5'-3 1/4" (1607)	5'-7 1/4" (1708)	5'-11 1/4" (1810)
4'-4" (1321)	4'-8" (1422)	5'-0" (1524)	5'-4" (1626)	5'-8" (1727)	6'-0" (1829)
44 5/8" (1133)	48 5/8" (1335)	52 5/8" (1337)	56 5/8" (1438)	60 5/8" (1540)	64 5/8" (1641)



Custom-size windows are available in 1/8" (3) increments. See page 53 for custom sizes and specifications.

Choose venting (ATV) or stationary (ATF). See pages 42-43 for venting sizes. Grille patterns shown on page 48.

- "Window Dimension" always refers to outside frame to frame dimension.
- "Minimum Rough Opening" dimensions may need to be increased to allow for use of building wraps, flashing, sill panning, brackets, fasteners or other items. See page 217 for more details.
- Dimensions in parentheses are in millimeters.
- \*Tempered laminated glass required. Some visual distortion may occur.

**Venting Transom Window Opening and Area Specifications** (continued)

Window Number	Clear Opening Sq. Ft./ (m <sup>2</sup> )	Clear Opening in Full Open Position		Glass Area Sq. Ft./ (m <sup>2</sup> )	Vent Sq. Ft./ (m <sup>2</sup> )	Top of Subfloor to Top of Inside Sill Stop Inches/ (mm)	Overall Window Area Sq. Ft./ (m <sup>2</sup> )
		Width Inches/ (mm)	Depth Inches/ (mm)				
ATV3418	1.40 (0.13)	34 5/16" (872)	5 7/8" (149)	2.85 (0.26)	1.40 (0.13)	65 1/2" (1664)	5.25 (0.49)
ATV3818	1.57 (0.15)	38 5/16" (973)	5 7/8" (149)	3.20 (0.30)	1.57 (0.15)	65 1/2" (1664)	5.78 (0.54)
ATV4018	1.73 (0.16)	42 5/16" (1075)	5 7/8" (149)	3.55 (0.33)	1.73 (0.16)	65 1/2" (1664)	6.32 (0.59)
ATV4418	1.90 (0.18)	46 5/16" (1176)	5 7/8" (149)	3.90 (0.36)	1.90 (0.18)	65 1/2" (1664)	6.85 (0.64)
ATV4818	2.06 (0.19)	50 5/16" (1278)	5 7/8" (149)	4.25 (0.39)	2.06 (0.19)	65 1/2" (1664)	7.39 (0.69)
ATV5018	2.22 (0.21)	54 5/16" (1380)	5 7/8" (149)	4.60 (0.43)	2.22 (0.21)	65 1/2" (1664)	7.92 (0.74)
ATV18110	0.59 (0.05)	14 5/16" (364)	5 7/8" (149)	1.28 (0.12)	0.59 (0.05)	63 1/2" (1613)	2.84 (0.26)
ATV20110	0.75 (0.07)	18 5/16" (465)	5 7/8" (149)	1.68 (0.16)	0.75 (0.07)	63 1/2" (1613)	3.43 (0.32)
ATV24110	0.91 (0.08)	22 5/16" (567)	5 7/8" (149)	2.09 (0.19)	0.91 (0.08)	63 1/2" (1613)	4.02 (0.37)
ATV26110	0.99 (0.09)	24 5/16" (618)	5 7/8" (149)	2.29 (0.21)	0.99 (0.09)	63 1/2" (1613)	4.32 (0.40)
ATV28110	1.08 (0.10)	26 5/16" (668)	5 7/8" (149)	2.49 (0.23)	1.08 (0.10)	63 1/2" (1613)	4.61 (0.43)
ATV210110	1.16 (0.11)	28 5/16" (719)	5 7/8" (149)	2.70 (0.25)	1.16 (0.11)	63 1/2" (1613)	4.91 (0.46)
ATV30110	1.24 (0.12)	30 5/16" (770)	5 7/8" (149)	2.90 (0.27)	1.24 (0.12)	63 1/2" (1613)	5.20 (0.48)
ATV32110	1.32 (0.12)	32 5/16" (821)	5 7/8" (149)	3.10 (0.29)	1.32 (0.12)	63 1/2" (1613)	5.50 (0.51)
ATV34110	1.40 (0.13)	34 5/16" (872)	5 7/8" (149)	3.31 (0.31)	1.40 (0.13)	63 1/2" (1613)	5.79 (0.54)
ATV38110	1.57 (0.15)	38 5/16" (973)	5 7/8" (149)	3.71 (0.34)	1.57 (0.15)	63 1/2" (1613)	6.38 (0.59)
ATV40110	1.73 (0.16)	42 5/16" (1075)	5 7/8" (149)	4.12 (0.38)	1.73 (0.16)	63 1/2" (1613)	6.97 (0.65)
ATV44110	1.90 (0.18)	46 5/16" (1176)	5 7/8" (149)	4.55 (0.42)	1.90 (0.18)	63 1/2" (1613)	7.56 (0.70)
ATV48110	2.06 (0.19)	50 5/16" (1278)	5 7/8" (149)	4.93 (0.46)	2.06 (0.19)	63 1/2" (1613)	8.15 (0.76)
ATV50110	2.22 (0.21)	54 5/16" (1380)	5 7/8" (149)	5.33 (0.50)	2.22 (0.21)	63 1/2" (1613)	8.74 (0.81)
ATV1820	0.59 (0.05)	14 5/16" (364)	5 7/8" (149)	1.45 (0.13)	0.59 (0.05)	61 1/2" (1562)	3.11 (0.29)
ATV2020	0.75 (0.07)	18 5/16" (465)	5 7/8" (149)	1.91 (0.18)	0.75 (0.07)	61 1/2" (1562)	3.75 (0.35)
ATV2420	0.91 (0.08)	22 5/16" (567)	5 7/8" (149)	2.38 (0.22)	0.91 (0.08)	61 1/2" (1562)	4.40 (0.41)
ATV2620	0.99 (0.09)	24 5/16" (618)	5 7/8" (149)	2.61 (0.24)	0.99 (0.09)	61 1/2" (1562)	4.72 (0.44)
ATV2820	1.08 (0.10)	26 5/16" (668)	5 7/8" (149)	2.84 (0.26)	1.08 (0.10)	61 1/2" (1562)	5.05 (0.47)
ATV21020	1.16 (0.11)	28 5/16" (719)	5 7/8" (149)	3.07 (0.29)	1.16 (0.11)	61 1/2" (1562)	5.37 (0.50)
ATV3020	1.24 (0.12)	30 5/16" (770)	5 7/8" (149)	3.30 (0.31)	1.24 (0.12)	61 1/2" (1562)	5.69 (0.53)
ATV3220	1.32 (0.12)	32 5/16" (821)	5 7/8" (149)	3.53 (0.33)	1.32 (0.12)	61 1/2" (1562)	6.01 (0.56)
ATV3420	1.40 (0.13)	34 5/16" (872)	5 7/8" (149)	3.76 (0.35)	1.40 (0.13)	61 1/2" (1562)	6.34 (0.59)
ATV3820	1.57 (0.15)	38 5/16" (973)	5 7/8" (149)	4.22 (0.39)	1.57 (0.15)	61 1/2" (1562)	6.98 (0.65)
ATV4020	1.73 (0.16)	42 5/16" (1075)	5 7/8" (149)	4.68 (0.43)	1.73 (0.16)	61 1/2" (1562)	7.63 (0.71)
ATV4420	1.90 (0.18)	46 5/16" (1176)	5 7/8" (149)	5.14 (0.48)	1.90 (0.18)	61 1/2" (1562)	8.28 (0.77)
ATV4820	2.06 (0.19)	50 5/16" (1278)	5 7/8" (149)	5.60 (0.52)	2.06 (0.19)	61 1/2" (1562)	8.92 (0.83)
ATV5020	2.22 (0.21)	54 5/16" (1380)	5 7/8" (149)	6.06 (0.56)	2.22 (0.21)	61 1/2" (1562)	9.57 (0.89)
ATV1822	0.59 (0.05)	14 5/16" (364)	5 7/8" (149)	1.63 (0.15)	0.59 (0.05)	59 1/2" (1511)	3.38 (0.31)
ATV2022	0.75 (0.07)	18 5/16" (465)	5 7/8" (149)	2.14 (0.20)	0.75 (0.07)	59 1/2" (1511)	4.08 (0.38)

• "Top of Subfloor to Top of Inside Sill Stop" is calculated based upon a structural header height of 6'-10 1/2" (2096).  
 • Dimensions in parentheses are in millimeters or square meters. continued on next page

A-Series Transom Windows

## Venting Transom Window Opening and Area Specifications *(continued)*

Window Number	Clear Opening Sq. Ft./ <sup>(m<sup>2</sup>)</sup>	Clear Opening in Full Open Position		Glass Area Sq. Ft./ <sup>(m<sup>2</sup>)</sup>	Vent Sq. Ft./ <sup>(m<sup>2</sup>)</sup>	Top of Subfloor to Top of Inside Sill Stop Inches/ <sup>(mm)</sup>	Overall Window Area Sq. Ft./ <sup>(m<sup>2</sup>)</sup>
		Width Inches/ <sup>(mm)</sup>	Depth Inches/ <sup>(mm)</sup>				
ATV2422	0.91 (0.08)	22 5/16" (567)	5 7/8" (149)	2.66 (0.25)	0.91 (0.08)	59 1/2" (1511)	4.78 (0.44)
ATV2622	0.99 (0.09)	24 5/16" (618)	5 7/8" (149)	2.92 (0.27)	0.99 (0.09)	59 1/2" (1511)	5.13 (0.48)
ATV2822	1.08 (0.10)	26 5/16" (668)	5 7/8" (149)	3.18 (0.30)	1.08 (0.10)	59 1/2" (1511)	5.48 (0.51)
ATV21022	1.16 (0.11)	28 5/16" (719)	5 7/8" (149)	3.44 (0.32)	1.16 (0.11)	59 1/2" (1511)	5.83 (0.54)
ATV3022	1.24 (0.12)	30 5/16" (770)	5 7/8" (149)	3.69 (0.34)	1.24 (0.12)	59 1/2" (1511)	6.18 (0.57)
ATV3222	1.32 (0.12)	32 5/16" (821)	5 7/8" (149)	3.95 (0.37)	1.32 (0.12)	59 1/2" (1511)	6.53 (0.61)
ATV3422	1.40 (0.13)	34 5/16" (872)	5 7/8" (149)	4.21 (0.39)	1.40 (0.13)	59 1/2" (1511)	6.88 (0.64)
ATV3822	1.57 (0.15)	38 5/16" (973)	5 7/8" (149)	4.73 (0.44)	1.57 (0.15)	59 1/2" (1511)	7.58 (0.70)
ATV4022	1.73 (0.16)	42 5/16" (1075)	5 7/8" (149)	5.24 (0.49)	1.73 (0.16)	59 1/2" (1511)	8.29 (0.77)
ATV4422	1.90 (0.18)	46 5/16" (1176)	5 7/8" (149)	5.76 (0.54)	1.90 (0.18)	59 1/2" (1511)	8.99 (0.84)
ATV4822	2.06 (0.19)	50 5/16" (1278)	5 7/8" (149)	6.28 (0.58)	2.06 (0.19)	59 1/2" (1511)	9.69 (0.90)
ATV5022	2.22 (0.21)	54 5/16" (1380)	5 7/8" (149)	6.79 (0.63)	2.22 (0.21)	59 1/2" (1511)	10.39 (0.97)
ATV1824	0.59 (0.05)	14 5/16" (364)	5 7/8" (149)	1.80 (0.17)	0.59 (0.05)	57 1/2" (1461)	3.64 (0.34)
ATV2024	0.75 (0.07)	18 5/16" (465)	5 7/8" (149)	2.38 (0.22)	0.75 (0.07)	57 1/2" (1461)	4.40 (0.41)
ATV2424	0.91 (0.08)	22 5/16" (567)	5 7/8" (149)	2.95 (0.27)	0.91 (0.08)	57 1/2" (1461)	5.16 (0.48)
ATV2624	0.99 (0.09)	24 5/16" (618)	5 7/8" (149)	3.23 (0.30)	0.99 (0.09)	57 1/2" (1461)	5.54 (0.51)
ATV2824	1.08 (0.10)	26 5/16" (668)	5 7/8" (149)	3.52 (0.33)	1.08 (0.10)	57 1/2" (1461)	5.91 (0.55)
ATV21024	1.16 (0.11)	28 5/16" (719)	5 7/8" (149)	3.81 (0.35)	1.16 (0.11)	57 1/2" (1461)	6.29 (0.58)
ATV3024	1.24 (0.12)	30 5/16" (770)	5 7/8" (149)	4.09 (0.38)	1.24 (0.12)	57 1/2" (1461)	6.67 (0.62)
ATV3224	1.32 (0.12)	32 5/16" (821)	5 7/8" (149)	4.38 (0.41)	1.32 (0.12)	57 1/2" (1461)	7.05 (0.65)
ATV3424	1.40 (0.13)	34 5/16" (872)	5 7/8" (149)	4.66 (0.43)	1.40 (0.13)	57 1/2" (1461)	7.43 (0.69)
ATV3824	1.57 (0.15)	38 5/16" (973)	5 7/8" (149)	5.24 (0.49)	1.57 (0.15)	57 1/2" (1461)	8.18 (0.76)
ATV4034	1.73 (0.16)	42 5/16" (1075)	5 7/8" (149)	5.81 (0.54)	1.73 (0.16)	57 1/2" (1461)	8.94 (0.83)
ATV4424	1.90 (0.18)	46 5/16" (1176)	5 7/8" (149)	6.38 (0.59)	1.90 (0.18)	57 1/2" (1461)	9.70 (0.90)
ATV4824	2.06 (0.19)	50 5/16" (1278)	5 7/8" (149)	6.95 (0.65)	2.06 (0.19)	57 1/2" (1461)	10.46 (0.97)
ATV5024	2.22 (0.21)	54 5/16" (1380)	5 7/8" (149)	7.53 (0.70)	2.22 (0.21)	57 1/2" (1461)	11.21 (1.04)
ATV1826	0.59 (0.05)	14 5/16" (364)	5 7/8" (149)	1.98 (0.18)	0.59 (0.05)	55 1/2" (1410)	3.91 (0.36)
ATV2026	0.75 (0.07)	18 5/16" (465)	5 7/8" (149)	2.61 (0.24)	0.75 (0.07)	55 1/2" (1410)	4.72 (0.44)
ATV2226	0.91 (0.08)	22 5/16" (567)	5 7/8" (149)	3.23 (0.30)	0.91 (0.08)	55 1/2" (1410)	5.54 (0.51)
ATV2426	0.99 (0.09)	24 5/16" (618)	5 7/8" (149)	3.55 (0.33)	0.99 (0.09)	55 1/2" (1410)	5.94 (0.55)
ATV2626	1.08 (0.10)	26 5/16" (668)	5 7/8" (149)	3.86 (0.36)	1.08 (0.10)	55 1/2" (1410)	6.35 (0.59)
ATV2826	1.16 (0.11)	28 5/16" (719)	5 7/8" (149)	4.18 (0.39)	1.16 (0.11)	55 1/2" (1410)	6.75 (0.63)
ATV3026	1.24 (0.12)	30 5/16" (770)	5 7/8" (149)	4.49 (0.42)	1.24 (0.12)	55 1/2" (1410)	7.16 (0.67)
ATV3226	1.32 (0.12)	32 5/16" (821)	5 7/8" (149)	4.80 (0.45)	1.32 (0.12)	55 1/2" (1410)	7.57 (0.70)
ATV3426	1.40 (0.13)	34 5/16" (872)	5 7/8" (149)	5.12 (0.48)	1.40 (0.13)	55 1/2" (1410)	7.97 (0.74)
ATV3826	1.57 (0.15)	38 5/16" (973)	5 7/8" (149)	5.74 (0.53)	1.57 (0.15)	55 1/2" (1410)	8.79 (0.82)
ATV4026	1.73 (0.16)	42 5/16" (1075)	5 7/8" (149)	6.37 (0.59)	1.73 (0.16)	55 1/2" (1410)	9.60 (0.89)
ATV4426	1.90 (0.18)	46 5/16" (1176)	5 7/8" (149)	7.00 (0.65)	1.90 (0.18)	55 1/2" (1410)	10.41 (0.97)
ATV4826	2.06 (0.19)	50 5/16" (1278)	5 7/8" (149)	7.63 (0.71)	2.06 (0.19)	55 1/2" (1410)	11.22 (1.04)
ATV5026	2.22 (0.21)	54 5/16" (1380)	5 7/8" (149)	8.26 (0.77)	2.22 (0.21)	55 1/2" (1410)	12.04 (1.12)
ATV1828	0.59 (0.05)	14 5/16" (364)	5 7/8" (149)	2.15 (0.20)	0.59 (0.05)	53 1/2" (1359)	4.18 (0.39)
ATV2028	0.75 (0.07)	18 5/16" (465)	5 7/8" (149)	2.84 (0.26)	0.75 (0.07)	53 1/2" (1359)	5.05 (0.47)
ATV2428	0.91 (0.08)	22 5/16" (567)	5 7/8" (149)	3.52 (0.33)	0.91 (0.08)	53 1/2" (1359)	5.91 (0.55)
ATV2628	0.99 (0.09)	24 5/16" (618)	5 7/8" (149)	3.86 (0.36)	0.99 (0.09)	53 1/2" (1359)	6.35 (0.59)
ATV2828	1.08 (0.10)	26 5/16" (668)	5 7/8" (149)	4.20 (0.39)	1.08 (0.10)	53 1/2" (1359)	6.78 (0.63)
ATV21028	1.16 (0.11)	28 5/16" (719)	5 7/8" (149)	4.54 (0.42)	1.16 (0.11)	53 1/2" (1359)	7.22 (0.67)
ATV3028	1.24 (0.12)	30 5/16" (770)	5 7/8" (149)	4.89 (0.45)	1.24 (0.12)	53 1/2" (1359)	7.56 (0.70)
ATV3228	1.32 (0.12)	32 5/16" (821)	5 7/8" (149)	5.23 (0.49)	1.32 (0.12)	53 1/2" (1359)	8.08 (0.75)
ATV3428	1.40 (0.13)	34 5/16" (872)	5 7/8" (149)	5.57 (0.52)	1.40 (0.13)	53 1/2" (1359)	8.52 (0.79)
ATV3828	1.57 (0.15)	38 5/16" (973)	5 7/8" (149)	6.25 (0.58)	1.57 (0.15)	53 1/2" (1359)	9.39 (0.87)
ATV4028	1.73 (0.16)	42 5/16" (1075)	5 7/8" (149)	6.94 (0.64)	1.73 (0.16)	53 1/2" (1359)	10.25 (0.95)
ATV4428	1.90 (0.18)	46 5/16" (1176)	5 7/8" (149)	7.62 (0.71)	1.90 (0.18)	53 1/2" (1359)	11.12 (1.03)
ATV4828	2.06 (0.19)	50 5/16" (1278)	5 7/8" (149)	8.30 (0.77)	2.06 (0.19)	53 1/2" (1359)	11.99 (1.11)
ATV5028	2.22 (0.21)	54 5/16" (1380)	5 7/8" (149)	8.99 (0.84)	2.22 (0.21)	53 1/2" (1359)	12.86 (1.19)

- "Top of Subfloor to Top of Inside Sill Stop" is calculated based upon a structural header height of 6'-10 1/2" (2096).
- Dimensions in parentheses are in millimeters or square meters.

## Stationary Transom Window Area Specifications

Window Number	Glass Area Sq. Ft./ <sup>(m<sup>2</sup>)</sup>	Overall Window Area Sq. Ft./ <sup>(m<sup>2</sup>)</sup>
ATF1410	0.27 (0.03)	1.19 (0.11)
ATF1414	0.51 (0.05)	1.62 (0.15)
ATF1416	0.63 (0.06)	1.83 (0.17)
ATF1418	0.75 (0.07)	2.04 (0.19)
ATF14110	0.87 (0.08)	2.25 (0.21)
ATF1420	0.99 (0.09)	2.46 (0.23)
ATF1422	1.11 (0.10)	2.67 (0.25)
ATF1424	1.23 (0.11)	2.89 (0.27)
ATF1426	1.35 (0.13)	3.10 (0.29)
ATF1428	1.47 (0.14)	3.31 (0.31)
ATF1430	1.71 (0.16)	3.73 (0.35)
ATF1434	1.95 (0.18)	4.16 (0.39)
ATF1810	0.40 (0.04)	1.50 (0.14)
ATF1814	0.75 (0.07)	2.04 (0.19)
ATF1816	0.93 (0.09)	2.31 (0.21)
ATF1818	1.10 (0.10)	2.57 (0.24)
ATF18110	1.28 (0.12)	2.84 (0.26)
ATF1820	1.45 (0.13)	3.11 (0.29)
ATF1822	1.63 (0.15)	3.38 (0.31)
ATF1824	1.80 (0.17)	3.64 (0.34)
ATF1826	1.98 (0.18)	3.91 (0.36)
ATF1828	2.15 (0.20)	4.18 (0.39)
ATF1830	2.50 (0.23)	4.71 (0.44)
ATF1834	2.85 (0.26)	5.25 (0.49)
ATF2010	0.53 (0.05)	1.82 (0.17)
ATF2014	0.99 (0.09)	2.46 (0.23)
ATF2016	1.22 (0.11)	2.79 (0.26)
ATF2018	1.45 (0.13)	3.11 (0.29)
ATF20110	1.68 (0.16)	3.43 (0.32)
ATF2020	1.91 (0.18)	3.75 (0.35)
ATF2022	2.14 (0.20)	4.08 (0.38)
ATF2024	2.37 (0.22)	4.40 (0.41)
ATF2026	2.61 (0.24)	4.72 (0.44)
ATF2028	2.84 (0.26)	5.05 (0.47)
ATF2030	3.30 (0.31)	5.69 (0.53)
ATF2034	3.76 (0.35)	6.34 (0.59)
ATF2410	0.66 (0.06)	2.13 (0.20)
ATF2414	1.23 (0.11)	2.89 (0.27)
ATF2416	1.52 (0.14)	3.26 (0.30)
ATF2418	1.80 (0.17)	3.64 (0.34)
ATF24110	2.09 (0.19)	4.02 (0.37)
ATF2420	2.37 (0.22)	4.40 (0.41)
ATF2422	2.66 (0.25)	4.78 (0.44)
ATF2424	2.95 (0.27)	5.16 (0.48)
ATF2426	3.23 (0.30)	5.54 (0.51)
ATF2428	3.52 (0.33)	5.91 (0.55)
ATF2430	4.09 (0.38)	6.67 (0.62)
ATF2434	4.66 (0.43)	7.43 (0.69)
ATF2610	0.72 (0.07)	2.29 (0.21)
ATF2614	1.35 (0.13)	3.10 (0.29)
ATF2616	1.66 (0.15)	3.50 (0.33)
ATF2618	1.98 (0.18)	3.91 (0.36)
ATF26110	2.29 (0.21)	4.32 (0.40)
ATF2620	2.61 (0.24)	4.72 (0.44)
ATF2622	2.92 (0.27)	5.13 (0.48)
ATF2624	3.23 (0.30)	5.54 (0.51)
ATF2626	3.55 (0.33)	5.94 (0.55)
ATF2628	3.86 (0.36)	6.35 (0.59)
ATF2630	4.49 (0.42)	7.16 (0.67)

- Dimensions in parentheses are in square meters.

*continued on next page*

**Stationary Transom Window Area Specifications** *(continued)*

Window Number	Glass Area Sq. Ft./ (m <sup>2</sup> )	Overall Window Area Sq. Ft./ (m <sup>2</sup> )
ATF2634	5.12 (0.48)	7.97 (0.74)
ATF2810	0.79 (0.07)	2.44 (0.23)
ATF2814	1.47 (0.14)	3.31 (0.31)
ATF2816	1.81 (0.17)	3.74 (0.35)
ATF2818	2.15 (0.20)	4.18 (0.39)
ATF28110	2.49 (0.23)	4.61 (0.43)
ATF2820	2.84 (0.26)	5.05 (0.47)
ATF2822	3.18 (0.30)	5.48 (0.51)
ATF2824	3.52 (0.33)	5.91 (0.55)
ATF2826	3.86 (0.36)	6.35 (0.59)
ATF2828	4.20 (0.39)	6.78 (0.63)
ATF2830	4.89 (0.45)	7.65 (0.71)
ATF2834	5.57 (0.52)	8.52 (0.79)
ATF21010	0.85 (0.08)	2.60 (0.24)
ATF21014	1.59 (0.15)	3.52 (0.33)
ATF21016	1.96 (0.18)	3.98 (0.37)
ATF21018	2.33 (0.22)	4.44 (0.41)
ATF210110	2.70 (0.25)	4.91 (0.46)
ATF21020	3.07 (0.29)	5.37 (0.50)
ATF21022	3.44 (0.32)	5.83 (0.54)
ATF21024	3.81 (0.35)	6.29 (0.58)
ATF21026	4.17 (0.39)	6.75 (0.63)
ATF21028	4.54 (0.42)	7.22 (0.67)
ATF21030	5.28 (0.49)	8.14 (0.76)
ATF21034	6.02 (0.56)	9.06 (0.84)
ATF3010	0.91 (0.08)	2.75 (0.26)
ATF3014	1.71 (0.16)	3.73 (0.35)
ATF3016	2.11 (0.20)	4.22 (0.39)
ATF3018	2.50 (0.23)	4.71 (0.44)
ATF30110	2.90 (0.27)	5.20 (0.48)
ATF3020	3.30 (0.31)	5.69 (0.53)
ATF3022	3.69 (0.34)	6.18 (0.57)
ATF3024	4.09 (0.38)	6.67 (0.62)
ATF3026	4.49 (0.42)	7.16 (0.67)
ATF3028	4.89 (0.45)	7.65 (0.71)
ATF3030	5.68 (0.53)	8.63 (0.80)
ATF3034	6.47 (0.60)	9.61 (0.89)
ATF3210	0.98 (0.09)	2.91 (0.27)
ATF3214	1.83 (0.17)	3.94 (0.37)
ATF3216	2.25 (0.21)	4.46 (0.41)
ATF3218	2.68 (0.25)	4.98 (0.46)
ATF32110	3.10 (0.29)	5.50 (0.51)
ATF3220	3.53 (0.33)	6.01 (0.56)
ATF3222	3.95 (0.37)	6.53 (0.61)
ATF3224	4.38 (0.41)	7.05 (0.65)
ATF3226	4.80 (0.45)	7.57 (0.70)
ATF3228	5.23 (0.49)	8.08 (0.75)
ATF3230	6.08 (0.56)	9.12 (0.85)
ATF3234	6.93 (0.64)	10.15 (0.94)
ATF3410	1.04 (0.10)	3.07 (0.29)
ATF3414	1.95 (0.18)	4.16 (0.39)
ATF3416	2.40 (0.22)	4.70 (0.44)
ATF3418	2.85 (0.26)	5.25 (0.49)
ATF34110	3.31 (0.31)	5.79 (0.54)
ATF3420	3.76 (0.35)	6.34 (0.59)
ATF3422	4.21 (0.39)	6.88 (0.64)
ATF3424	4.66 (0.43)	7.43 (0.69)
ATF3426	5.12 (0.48)	7.97 (0.74)
ATF3428	5.57 (0.52)	8.52 (0.79)
ATF3430	6.47 (0.60)	9.61 (0.89)




Window Number	Glass Area Sq. Ft./ (m <sup>2</sup> )	Overall Window Area Sq. Ft./ (m <sup>2</sup> )
ATF3434	7.38 (0.69)	10.70 (0.99)
ATF3810	1.17 (0.11)	3.38 (0.31)
ATF3814	2.19 (0.20)	4.58 (0.43)
ATF3816	2.69 (0.25)	5.18 (0.48)
ATF3818	3.20 (0.30)	5.78 (0.54)
ATF38110	3.71 (0.34)	6.38 (0.59)
ATF3820	4.22 (0.39)	6.98 (0.65)
ATF3822	4.73 (0.44)	7.58 (0.70)
ATF3824	5.24 (0.49)	8.18 (0.76)
ATF3826	5.74 (0.53)	8.79 (0.82)
ATF3828	6.25 (0.58)	9.39 (0.87)
ATF3830	7.27 (0.68)	10.59 (0.98)
ATF3834	8.29 (0.77)	11.79 (1.10)
ATF4010	1.30 (0.12)	3.69 (0.34)
ATF4014	2.42 (0.22)	5.00 (0.46)
ATF4016	2.99 (0.28)	5.66 (0.53)
ATF4018	3.55 (0.33)	6.32 (0.59)
ATF40110	4.12 (0.38)	6.97 (0.65)
ATF4020	4.68 (0.43)	7.63 (0.71)
ATF4022	5.24 (0.49)	8.29 (0.77)
ATF4024	5.81 (0.54)	8.94 (0.83)
ATF4026	6.37 (0.59)	9.60 (0.89)
ATF4028	6.94 (0.64)	10.25 (0.95)
ATF4030	8.06 (0.75)	11.57 (1.07)
ATF4034	9.19 (0.85)	12.88 (1.20)
ATF4410	1.42 (0.13)	4.00 (0.37)
ATF4414	2.66 (0.25)	5.43 (0.50)
ATF4416	3.28 (0.30)	6.14 (0.57)
ATF4418	3.90 (0.36)	6.85 (0.64)
ATF44110	4.52 (0.42)	7.56 (0.70)
ATF4420	5.14 (0.48)	8.27 (0.77)
ATF4422	5.76 (0.54)	8.99 (0.84)
ATF4424	6.38 (0.59)	9.70 (0.90)
ATF4426	7.00 (0.65)	10.41 (0.97)
ATF4428	7.62 (0.71)	11.12 (1.03)
ATF4430	8.86 (0.82)	12.55 (1.17)
ATF4434	10.10 (0.94)	13.97 (1.30)
ATF4810	1.55 (0.14)	4.32 (0.40)
ATF4814	2.90 (0.27)	5.85 (0.54)
ATF4816	3.58 (0.33)	6.62 (0.62)
ATF4818	4.25 (0.39)	7.39 (0.69)
ATF48110	4.93 (0.46)	8.15 (0.76)
ATF4820	5.60 (0.52)	8.92 (0.83)
ATF4822	6.28 (0.58)	9.69 (0.90)
ATF4824	6.95 (0.65)	10.46 (0.97)
ATF4826	7.63 (0.71)	11.22 (1.04)
ATF4828	8.30 (0.77)	11.99 (1.11)
ATF4830	9.65 (0.90)	13.52 (1.26)
ATF4834	11.00 (1.02)	15.06 (1.40)
ATF5010	1.68 (0.16)	4.63 (0.43)
ATF5014	3.14 (0.29)	6.27 (0.58)
ATF5016	3.87 (0.36)	7.10 (0.66)
ATF5018	4.60 (0.43)	7.92 (0.74)
ATF50110	5.33 (0.50)	8.74 (0.81)
ATF5020	6.06 (0.56)	9.57 (0.89)
ATF5022	6.79 (0.63)	10.39 (0.97)
ATF5024	7.52 (0.70)	11.21 (1.04)
ATF5026	8.26 (0.77)	12.04 (1.12)
ATF5028	8.99 (0.84)	12.86 (1.19)
ATF5030	10.45 (0.97)	14.50 (1.35)

Window Number	Glass Area Sq. Ft./ (m <sup>2</sup> )	Overall Window Area Sq. Ft./ (m <sup>2</sup> )
ATF5034	11.91 (1.11)	16.15 (1.50)
ATF5410	1.81 (0.17)	4.94 (0.46)
ATF5414	3.38 (0.31)	6.70 (0.62)
ATF5416	4.17 (0.39)	7.58 (0.70)
ATF5418	4.95 (0.46)	8.46 (0.79)
ATF54110	5.74 (0.53)	9.33 (0.87)
ATF5420	6.52 (0.61)	10.21 (0.95)
ATF5422	7.31 (0.68)	11.09 (1.03)
ATF5424	8.10 (0.75)	11.97 (1.11)
ATF5426	8.88 (0.82)	12.85 (1.19)
ATF5428	9.67 (0.90)	13.73 (1.28)
ATF5430	11.24 (1.04)	15.48 (1.44)
ATF5434	12.81 (1.19)	17.24 (1.60)
ATF5810	1.94 (0.18)	5.25 (0.49)
ATF5814	3.62 (0.34)	7.12 (0.66)
ATF5816	4.46 (0.41)	8.06 (0.75)
ATF5818	5.30 (0.49)	8.99 (0.84)
ATF58110	6.14 (0.57)	9.92 (0.92)
ATF5820	6.99 (0.65)	10.86 (1.01)
ATF5822	7.83 (0.73)	11.79 (1.10)
ATF5824	8.67 (0.81)	12.73 (1.18)
ATF5826	9.51 (0.88)	13.66 (1.27)
ATF5828	10.35 (0.96)	14.59 (1.36)
ATF5830	12.04 (1.12)	16.46 (1.53)
ATF5834	13.72 (1.27)	18.33 (1.70)
ATF6010	2.06 (0.19)	5.57 (0.52)
ATF6014	3.86 (0.36)	7.55 (0.70)
ATF6016	4.76 (0.44)	8.54 (0.79)
ATF6018	5.65 (0.52)	9.52 (0.88)
ATF60110	6.55 (0.61)	10.51 (0.98)
ATF6020	7.45 (0.69)	11.50 (1.07)
ATF6022	8.34 (0.77)	12.49 (1.16)
ATF6024	9.24 (0.86)	13.48 (1.25)
ATF6026	10.14 (0.94)	14.47 (1.34)
ATF6028	11.04 (1.03)	15.46 (1.44)
ATF6030	12.83 (1.19)	17.44 (1.62)
ATF6034	14.62 (1.36)	19.42 (1.80)

• Dimensions in parentheses are in square meters.

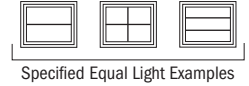


## Grille Patterns

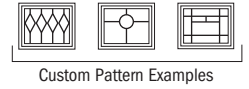
	Diamond	Prairie A	Colonial
Transom			

• Andersen® Finelight™ grilles available in 3/4" (19) profile only.

Number of lights and overall pattern varies with window size. Patterns shown may not be available for all sizes.

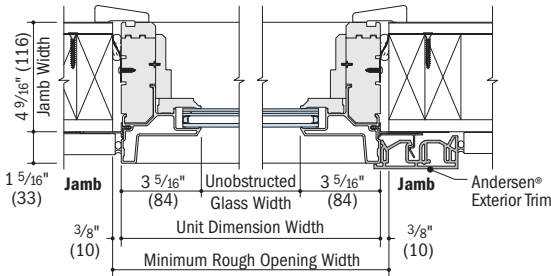


Specified equal light and custom patterns are also available. For more information on divided light see pages 18-19 or visit [andersenwindows.com/grilles](http://andersenwindows.com/grilles).

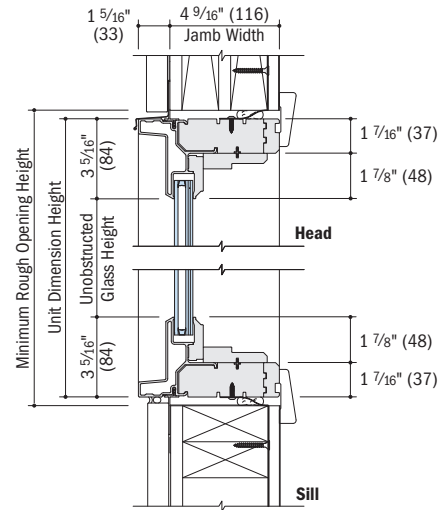


## Stationary Transom Window Details

Scale 1 1/2" (38) = 1'-0" (305) – 1:8



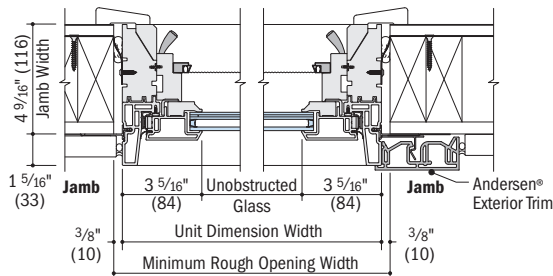
**Horizontal Section**  
Low-E4\* Impact-Resistant Glass



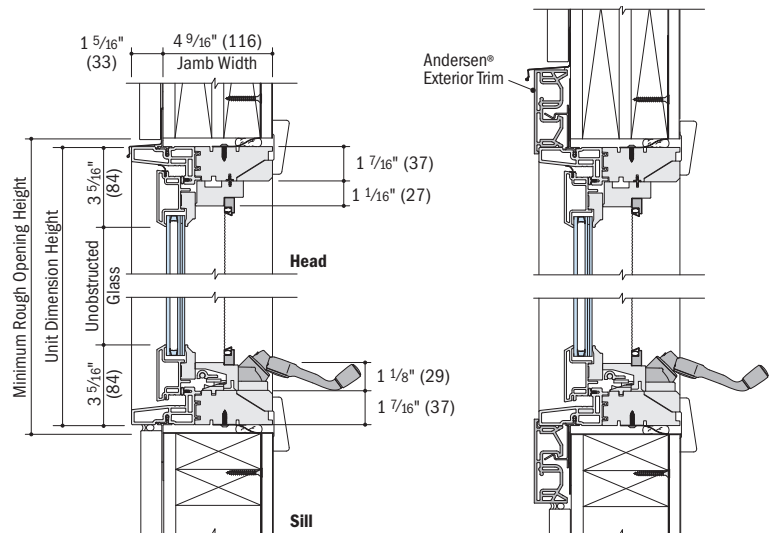
**Vertical Section**  
Low-E4\* Impact-Resistant Glass

## Venting Transom Window Details

Scale 1 1/2" (38) = 1'-0" (305) – 1:8



**Horizontal Section**  
Low-E4\* Impact-Resistant Glass



**Vertical Sections**  
Low-E4\* Impact-Resistant Glass

See pages 49-51 for horizontal and vertical joining details.

- 4 9/16" (116) jamb width measurement is from backside of installation flange.
- Light-colored areas are parts included with window. Dark-colored areas are additional Andersen® parts required to complete window assembly as shown.
- Dimensions in parentheses are in millimeters.
- Rough openings may need to be increased to allow for use of building wraps, flashing, sill panning, brackets, fasteners or other items. See installation information on page 217.
- Details are for illustration only and are not intended to represent product installation methods or materials. Refer to product installation guides at [andersenwindows.com](http://andersenwindows.com).

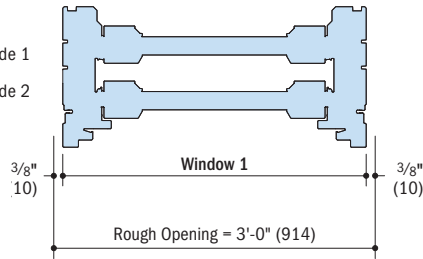
## Minimum Rough Opening Calculation Examples

### Minimum Rough Opening Calculation for Single Windows

- 2'-11 1/4" (895) Width dimension, window 1
- + 3/8" (10) Rough opening clearance, side 1
- + 3/8" (10) Rough opening clearance, side 2

---

- 3'-0" (914) Total**

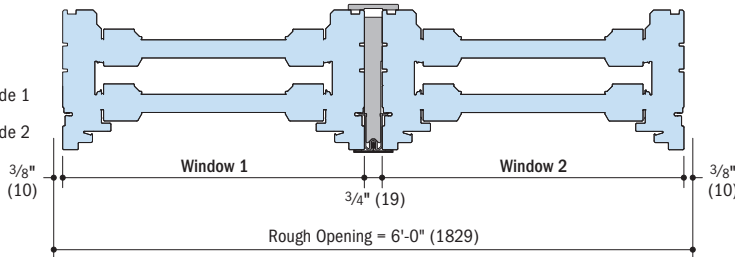


### Minimum Rough Opening Calculation for Two Vertical Joined Windows

- 2'-11 1/4" (895) Width dimension, window 1
- 2'-11 1/4" (895) Width dimension, window 2
- + 3/8" (10) Rough opening clearance, side 1
- + 3/8" (10) Rough opening clearance, side 2
- + 3/4" (19) LVL joining material

---

- 6'-0" (1829) Total**



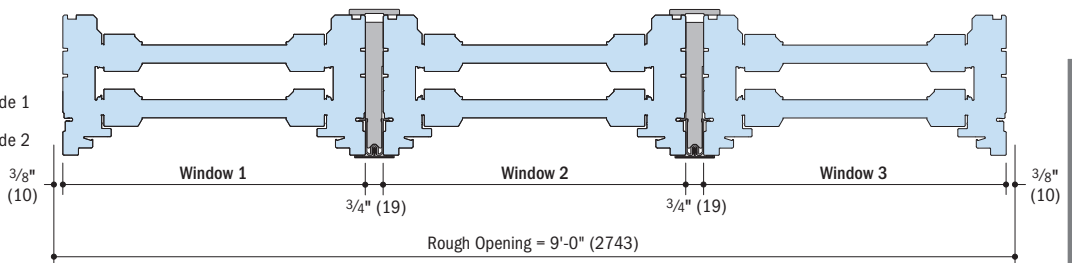
For factory joined windows modular sizing allows for easy calculating.

### Minimum Rough Opening Calculation for Three Vertical Joined Windows

- 2'-11 1/4" (895) Width dimension, window 1
- 2'-11 1/4" (895) Width dimension, window 2
- 2'-11 1/4" (895) Width dimension, window 3
- + 3/8" (10) Rough opening clearance, side 1
- + 3/8" (10) Rough opening clearance, side 2
- + 3/4" (19) LVL joining material
- + 3/4" (19) LVL joining material

---

- 9'-0" (2743) Total**



- Rough openings may need to be increased to allow for use of building wraps, flashing, sill panning, brackets, fasteners or other items. See installation information on page 217.
- Details are for illustration only and are not intended to represent product installation methods or materials. Refer to product installation guides at andersenwindows.com.
- Structural performance of any combination is only as high as the lowest structural performance of any individual window or join in the combination.

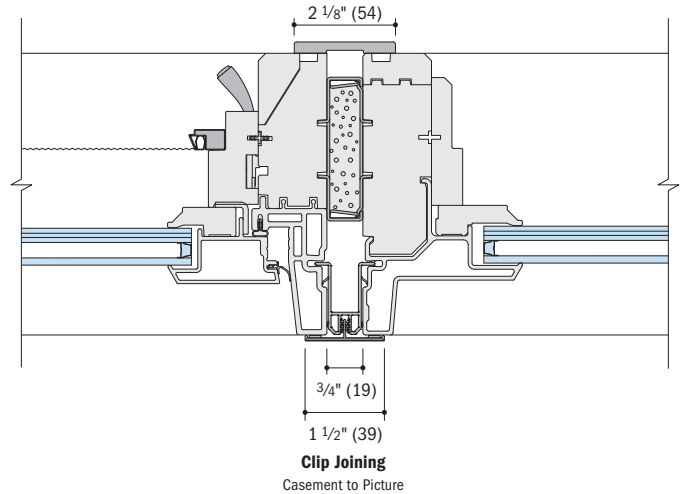
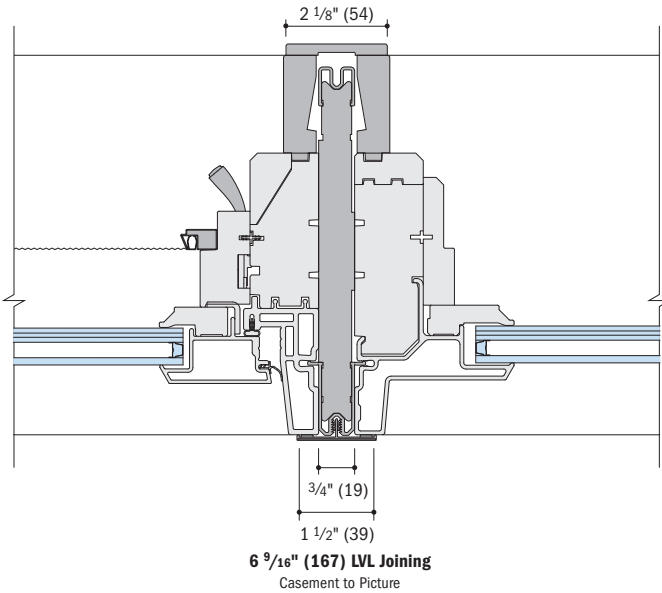
## Vertical Joining Methods

Scale 3" (76) = 1'-0" (305) – 1:4

4 9/16" (116) or 6 9/16" (167) Laminated Veneer Lumber (LVL) or clip joining methods are available for A-Series windows.

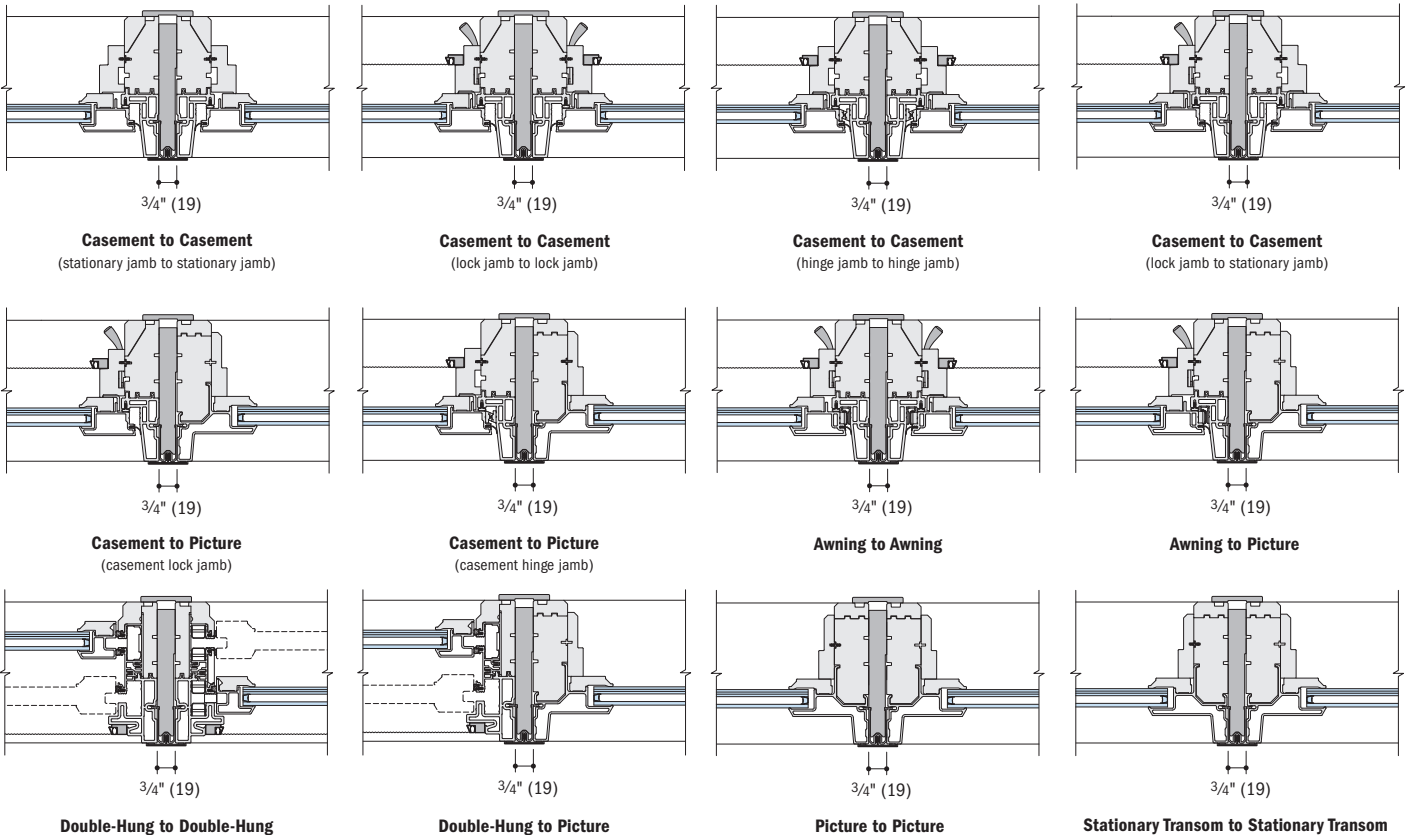
**Overall Window Dimension Width** Sum of individual window widths plus 3/4" (19).

**Overall Minimum Rough Opening Width** Overall window dimension width plus 3/4" (19).



## Vertical (ribbon) 4 9/16" LVL Joining Details

Scale 1 1/2" (38) = 1'-0" (305) – 1:8



- Light-colored areas are parts included with window. Dark-colored areas are additional Andersen® parts required to complete window assembly as shown.
- Dimensions in parentheses are in millimeters.
- **Rough openings may need to be increased to allow for use of building wraps, flashing, sill panning, brackets, fasteners or other items. See installation information on page 217.**
- Details are for illustration only and are not intended to represent product installation methods or materials. Refer to product installation guides at andersenwindows.com.
- Structural performance of any combination is only as high as the lowest structural performance of any individual window or join in the combination.



**Horizontal Joining Methods**

Scale 3" (76) = 1'-0" (305) – 1:4

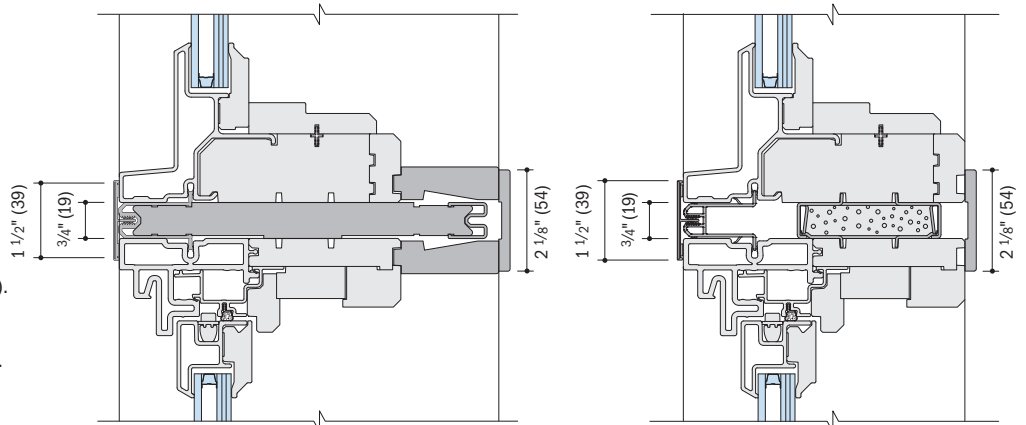
4 9/16" (116) or 6 9/16" (167) Laminated Veneer Lumber (LVL) or clip joining methods are available for A-Series windows.

**Overall Window Dimension Height**

Sum of individual window heights plus 3/4" (19).

**Overall Minimum Rough Opening Height**

Overall window dimension height plus 3/4" (19).

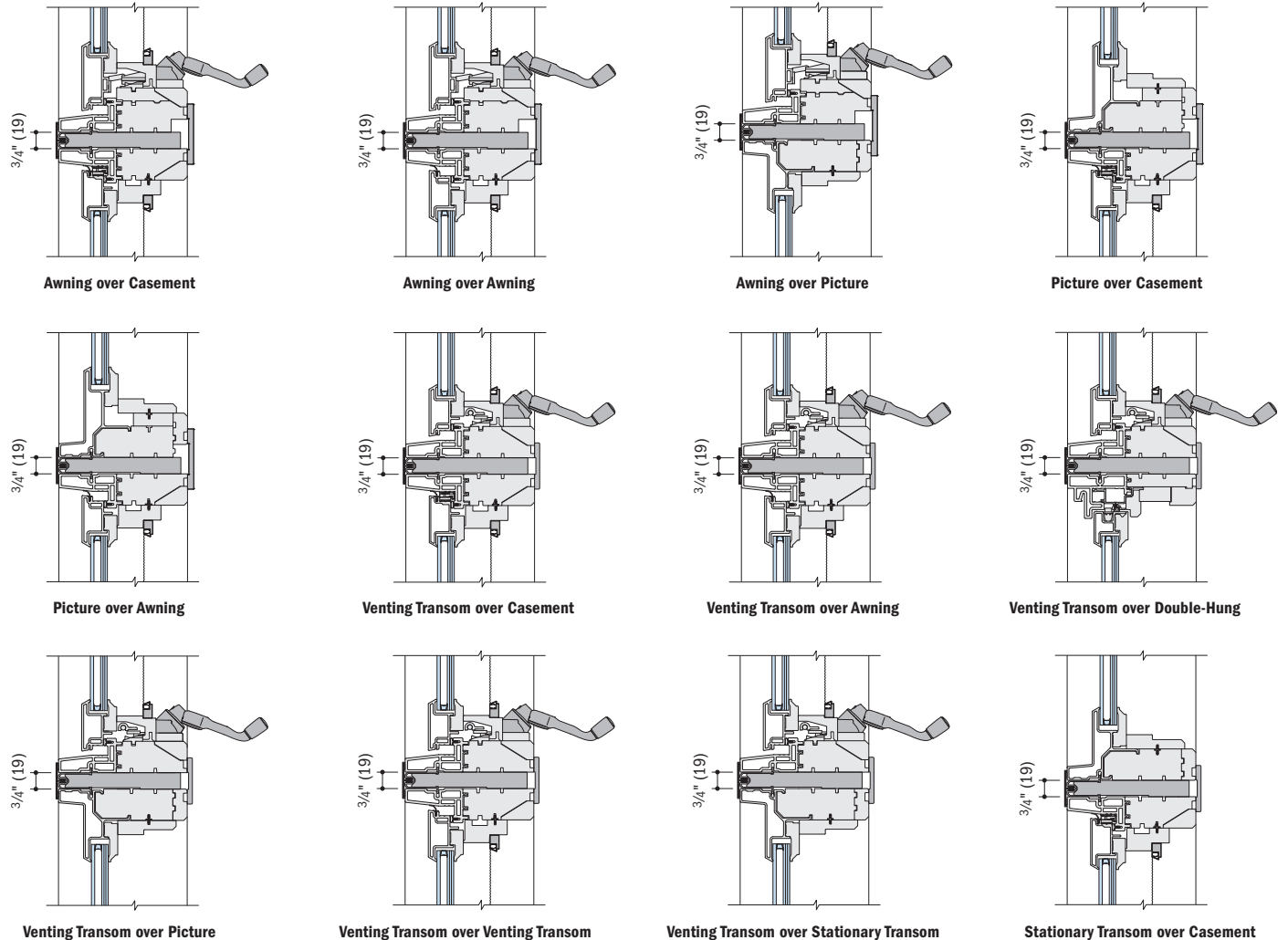


**6 9/16" (167) LVL Joining**  
Stationary Transom over Double-Hung

**Clip Joining**  
Stationary Transom over Double-Hung

**Horizontal (stack) 4 9/16" LVL Joining Details**

Scale 1 1/2" (38) = 1'-0" (305) – 1:8



For more information on vertical or horizontal joining refer to the combination designs section starting on page 193.

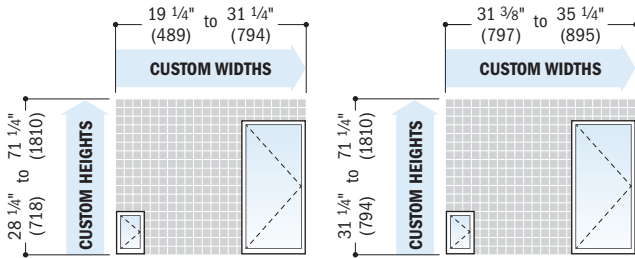
- Light-colored areas are parts included with window. Dark-colored areas are additional Andersen® parts required to complete window assembly as shown.
- Dimensions in parentheses are in millimeters.
- **Rough openings may need to be increased to allow for use of building wraps, flashing, sill panning, brackets, fasteners or other items. See installation information on page 217.**
- Details are for illustration only and are not intended to represent product installation methods or materials. Refer to product installation guides at andersenwindows.com.
- Structural performance of any combination is only as high as the lowest structural performance of any individual window or join in the combination.

## Custom Sizes & Specifications



A-Series windows are available in 1/8" (3) increments between minimum and maximum widths and heights shown. Some restrictions apply. Contact your Andersen supplier for custom-sized specialty windows.

### Casement Windows

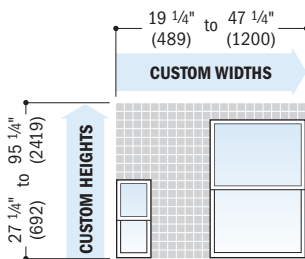


Required hinge type for casement windows is based on size and window performance. To determine which clear opening formula to use, first contact an Andersen representative to identify the required hinge type.

<b>Clear Opening</b> 	<b>Width</b> = window width - 9.42" (239) = window width - 6.76" (172) = window width - 10.94" (278) = 2.76" (70) + (0.95" (24) x (window width - 9.34" (237))) <b>Height</b> = window height - 5.65" (144)	<b>Minimum R.O.</b> 	<b>Width</b> = window width + 3/4" (19) <b>Height</b> = window height + 3/4" (19)
<b>Vent Opening</b> 	<b>Width</b> = window width - 6.54" (166) = window width - 5.65" (144)	<b>Unobstr. Glass</b> 	<b>Height</b> = window height - 6.65" (169) <b>Width</b> = window width - 7.45" (189)

• All casement windows wider than 2'-3 1/4" (692) and taller than 3'-11 1/4" (1200) meet or exceed clear opening area of 5.7 sq. ft. or 0.53 m<sup>2</sup>, clear opening width of 20" (508) and clear opening height of 24" (610).

### Double-Hung Windows

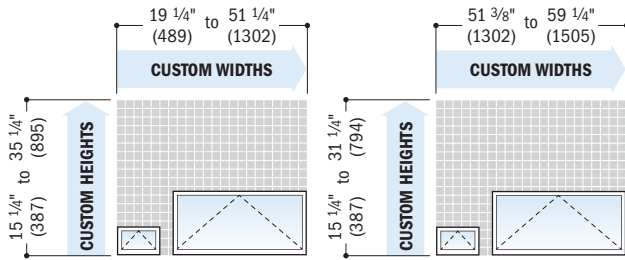


For cottage and reverse cottage window sizes and opening specifications contact your Andersen supplier.

<b>Clear Opening</b> 	<b>Width</b> = window width - 4.06" (103) <b>Height</b> = (window height ÷ 2) - 4.65" (118)	<b>Minimum R.O.</b> 	<b>Width</b> = window width + 3/4" (19) <b>Height</b> = window height + 3/4" (19)
<b>Vent Opening</b> 	<b>Width</b> = window width - 4.06" (103) <b>Height</b> = (window height ÷ 2) - 4.32" (110)	<b>Unobstr. Glass</b> 	<b>Height</b> = window height - 6.65" (169) <b>Width</b> = window width - 9.65" (245) <b>Single Sash Height</b> = (window width - 9.65" (245)) ÷ 2

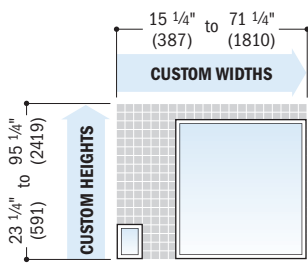
• All double-hung windows wider than 3'-1 1/4" (946) and taller than 4'-11 1/4" (1505) meet or exceed clear opening area of 5.7 sq. ft. or 0.53 m<sup>2</sup>, clear opening width of 20" (508) and clear opening height of 24" (610).

**Awning Windows**

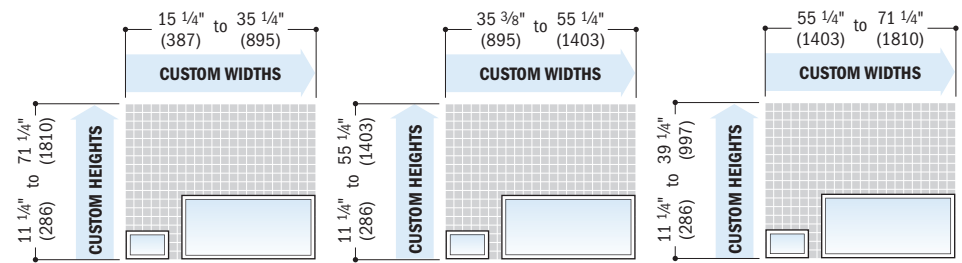


<b>Clear Opening</b>	Width = window width - 4.94" (125) Height = 5.88" (149)	<b>Minimum R.O.</b>	Width = window width + 3/4" (19) Height = window height + 3/4" (19)
<b>Vent Opening</b>	Width = window width - 4.94" (125) Height = 5.88" (149)	<b>Unobstr. Glass</b>	Height = window height - 6.65" (169) Width = window width - 7.45" (189)

**Picture Windows**

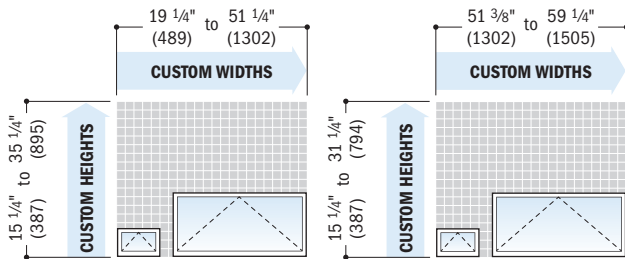


**Stationary Transom Windows**



<b>Minimum R.O.</b>	Width = window width + 3/4" (19) Height = window height + 3/4" (19)	<b>Unobstr. Glass</b>	<table border="0"> <tr> <td><b>Picture Window</b></td> <td><b>Stationary Transom Window</b></td> </tr> <tr> <td>Width = window width - 6.65" (169) Height = window height - 7.45" (189)</td> <td>Width = window width - 6.65" (169) Height = window height - 6.65" (169)</td> </tr> </table>	<b>Picture Window</b>	<b>Stationary Transom Window</b>	Width = window width - 6.65" (169) Height = window height - 7.45" (189)	Width = window width - 6.65" (169) Height = window height - 6.65" (169)
<b>Picture Window</b>	<b>Stationary Transom Window</b>						
Width = window width - 6.65" (169) Height = window height - 7.45" (189)	Width = window width - 6.65" (169) Height = window height - 6.65" (169)						

**Venting Transom Windows**



<b>Clear Opening</b>	Width = window width - 4.94" (125) Height = 5.88" (149)	<b>Minimum R.O.</b>	Width = window width + 3/4" (19) Height = window height + 3/4" (19)
<b>Vent Opening</b>	Width = window width - 4.94" (125) Height = 5.88" (149)	<b>Unobstr. Glass</b>	Height = window height - 6.65" (169) Width = window width - 6.65" (169)

A large grid of graph paper, consisting of 20 columns and 40 rows of small squares, intended for taking notes.



# SPECIALTY WINDOWS

**CUSTOM SIZING!**  
 in 1/8" (3) increments



## SECTION REFERENCE

### Half Circle, Elliptical & Quarter Circle

- Table of Sizes..... 58-61
- Direct-Set Specifications ..... 65
- Sash-Set Specifications..... 66-67
- Grille Patterns ..... 61

### Unequal Leg Arch

- Table of Sizes..... 62-63
- Direct-Set Specifications .... 65-66
- Sash-Set Specifications..... 66-67
- Grille Patterns ..... 63

### Octagon, Circle & Oval

- Table of Sizes..... 64
- Direct-Set Specifications ..... 65
- Sash-Set Specifications..... 67
- Grille Patterns ..... 64

### Trapezoid ..... 67

### Arch

- Table of Sizes..... 68-80
- Direct-Set Specifications ..... 72-73, 77-78
- Sash-Set Specifications ..... 78-79, 81
- Grille Patterns ..... 89

### Springline™

- Table of Sizes..... 82-88
- Direct-Set Specifications .... 89-90
- Sash-Set Specifications..... 91-92
- Grille Patterns ..... 89

### Window Details ..... 93

### Joining Details..... 94

### Combination Designs ..... 193-202

### Performance Data..... 203-215

### Warranty..... 220

Dimensions in parentheses are in millimeters.

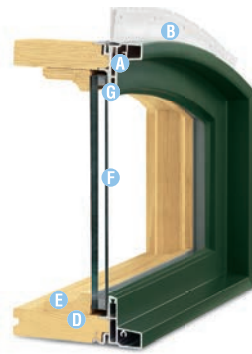
## FEATURES

### Frame

**A** Frame constructed with a wood core and protected with a heavy-duty extruded aluminum cladding. This construction produces a rigid frame and a low-maintenance, durable exterior with no exposed ends. Standard coastal cladding has a 70% Kynar® Fluoropolymer coating that meets AAMA 2605.

**B** A factory-applied rigid vinyl flange helps seal the unit to the structure.

**C** Factory-applied installation clips are standard for anchoring to the building. Mounted around the perimeter, the clips rotate into position and can be bent into place against the framing members to suit all jamb conditions.



**Direct-Set Window**

**D** Wood members are treated with a water-repellent preservative for long-lasting\* protection and performance. Radii are made of laminated continuous veneers. Lineal components are solid or engineered wood with a pine core.

### Sash

Available in Direct-Set or Sash-Set construction. Direct-Set windows have glass glazed directly into the frame and maximize glass area. Sash-Set windows feature a stationary sash and provide common sight lines with other A-Series operating windows.

Sash constructed with a wood core and protected with a heavy-duty aluminum cladding. This construction produces a rigid sash and a low-maintenance, durable exterior. Standard coastal cladding has a 70% Kynar® Fluoropolymer coating that meets AAMA 2605.

Traditional architectural style:

- Classic chamfer detailing
- The look of mortise-and-tenon joinery

**E** Natural wood interiors are treated with a water-repellent wood preservative for long-lasting\* protection and performance.

### F Glass

¾" (19) impact-resistant construction provides exceptional energy performance, sound control and added security.

High-performance impact-resistant glass options include:

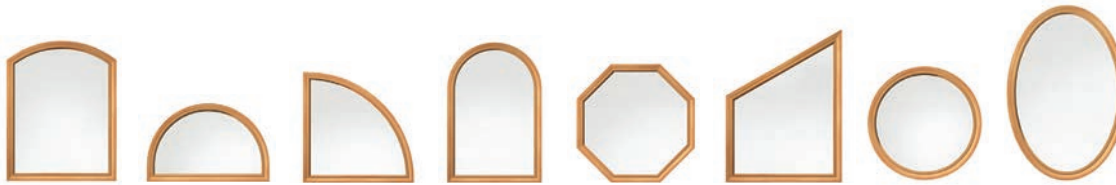
- Low-E4® impact-resistant glass
- Low-E4 SmartSun™ impact-resistant glass
- Low-E4 Sun impact-resistant glass
- Low-E4 tempered impact-resistant glass options available

**G** Silicone glazing fillet bead combined with two-sided silicone tape provides superior weathertightness.

A removable translucent film helps shield the glass from damage during delivery and construction and simplifies finishing at the jobsite.

## SHAPE EXAMPLES

SEE PAGES 58–94 FOR ALL AVAILABLE SHAPES AND SIZES



### EXTERIOR



White Canvas Sandtone Prairie Grass Terratone Forest Green



Dove Gray Dark Bronze Cocoa Bean Red Rock Black

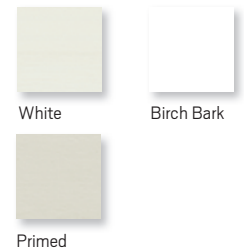
### INTERIOR

#### INTERIOR WOOD SPECIES



Cherry (Unfinished only) Mahogany\* (Unfinished only) Vertical Grain Douglas Fir (Unfinished only)

#### PAINTED INTERIORS



White Birch Bark

Primed

#### FACTORY-FINISHED INTERIORS



Clear Coat Honey Cinnamon Russet Mocha Espresso

Naturally occurring variations in grain, color and texture of wood make each window one of a kind. All wood interiors are unfinished unless a finish is specified.

\*Visit andersenwindows.com/warranty or contact your Andersen supplier for details on the A-Series Limited Warranty.

\*\*Actual wood is Sapele, a non-endangered species of mahogany grown in Africa, with color and characteristics similar to American mahoganies.

Dimensions in parentheses are in millimeters.

"Kynar" is a registered trademark of Arkema, Inc.

Printing limitations prevent exact duplication of colors and finishes. See your Andersen supplier for actual color and finish samples.

## ACCESSORIES

### Frame

#### Extension Jambs

Extension jambs are available in pine, oak and maple, precut to fit the unit. Available in 1/16" (1.5) increments up to 7 1/8" (181) and can be prefinished to match the interior finish of the unit. This option is also available factory applied.

Additional dimensions are also available. Contact your Andersen supplier for more information.

#### Interior Arch Casing

Available in Colonial or Ranch styles. Two transition blocks come with each arch casing. Arch window casings come with plinth blocks. For easy integration and consistency, casing dimensions are consistent with Wood Moulding and Millwork Producers Association specifications.



2 1/4" (57) Colonial style, in oak, maple and pine. WM366.



2 1/2" (64) Colonial style, in oak, maple and pine. WM351.



3 1/2" (89) Colonial style, in oak, maple and pine. WM444.



2 1/4" (57) Ranch style, in oak, maple and pine. WM324.

2 1/2" (64) Ranch style, in oak, maple and pine. WM315.

#### Plinth Blocks

For enhancing casing transitions. Decorated with a radial sunburst, or use the reverse side flush face.



For arch windows: 2 7/8" (73) x 4" (102) size for use with 2 1/4" (57) and 2 1/2" (64) casing, 3 7/8" (98) x 5 1/4" (133) size for use with 3 1/2" (89) casing.



For half circle elliptical, circle and oval windows: 2 7/8" (73) size for use with 2 1/4" (57) and 2 1/2" (64) casing, 3 7/8" (98) size for use with 3 1/2" (89) casing.

#### Grilles

Grilles are available in a variety of configurations and widths. For specialty grille patterns see pages 61, 63, 64 and 89.

#### Exterior Trim

This product is available with Andersen® Exterior Trim. See pages 129–136 for details.





**Table of Direct-Set Elliptical Window Sizes**

Scale 1/8" (3) = 1'-0" (305) – 1:96

Window Dimension	3'-11 1/4" (1200)	4'-3 1/4" (1302)	4'-7 1/4" (1403)
<b>Minimum Rough Opening</b>	4'-0" (1219)	4'-4" (1321)	4'-8" (1423)
Unobstructed Glass	41 9/16" (1056)	45 3/4" (1162)	50 3/8" (1280)

11 7/8" (302)	1'-0 5/8" (321)	7 7/8" (200)	<b>ATETD40</b>
1'-0 5/8" (321)	1'-1 3/8" (340)	8 5/8" (219)	<b>ATETD44</b>
1'-1 1/4" (337)	1'-2" (356)	9 1/4" (235)	<b>ATETD48</b>
4'-11 1/4" (1505)	5'-0" (1524)	54 11/16" (1390)	<b>ATETD50</b>
1'-2" (356)	1'-2 3/4" (375)	10" (254)	<b>ATETD50</b>
1'-2 3/4" (375)	1'-3 1/2" (394)	10 3/4" (273)	<b>ATETD54</b>
1'-3 1/2" (394)	1'-4 1/4" (413)	11 1/2" (292)	<b>ATETD58</b>
5'-11 1/4" (1810)	6'-0" (1828)	66 13/16" (1696)	<b>ATETD60</b>
1'-4 1/8" (410)	1'-4 7/8" (429)	12 1/8" (308)	<b>ATETD60</b>
1'-4 7/8" (429)	1'-5 5/8" (448)	12 7/8" (327)	<b>ATETD64</b>
1'-5 5/8" (448)	1'-6 3/8" (467)	13 5/8" (346)	<b>ATETD68</b>
6'-11 1/4" (2115)	7'-0" (2134)	79 3/16" (2011)	<b>ATETD70</b>
1'-6 3/8" (467)	1'-7 1/8" (486)	14 3/8" (365)	<b>ATETD70</b>
1'-7 1/8" (486)	1'-7 3/4" (502)	15" (381)	<b>ATETD74</b>
1'-7 3/4" (502)	1'-8 1/2" (521)	16 1/2" (419)	<b>ATETD80</b>
7'-10 7/16" (2399)	7'-11" (2413)	90 1/16" (2288)	<b>ATETD711</b>
1'-7" (483)	1'-7 3/4" (502)	15" (381)	<b>ATETD74</b>
7'-11 1/4" (2419)	8'-0" (2438)	90 7/8" (2309)	<b>ATETD74</b>
1'-8 3/8" (518)	1'-9 1/8" (537)	16 3/8" (416)	<b>ATETD711</b>
1'-8 1/2" (521)	1'-9 1/4" (540)	16 1/2" (419)	<b>ATETD80</b>
8'-10 7/16" (2704)	8'-11" (2718)	102 1/8" (2594)	<b>ATETD811</b>
1'-10 1/2" (572)	1'-11 1/4" (591)	18 1/2" (470)	<b>ATETD811</b>



**Custom-size windows are available in 1/8" (3) increments.** Contact your Andersen supplier for more information.



Direct-Set Half Circle



Sash-Set Half Circle



Direct-Set Elliptical



Sash-Set Elliptical

**Direct-set (ATETD) window sizes shown.** Use window and rough opening dimensions shown for sash-set (ATET) window sizes also. For sash-set unobstructed glass dimensions see page 66.

Details on page 93. Grille patterns shown on page 61.

- "Window Dimension" always refers to outside frame to frame dimension.
- "Minimum Rough Opening" dimensions may need to be increased to allow for use of building wraps, flashing, sill panning, brackets, fasteners or other items. See page 217 for more details.
- Dimensions in parentheses are in millimeters.

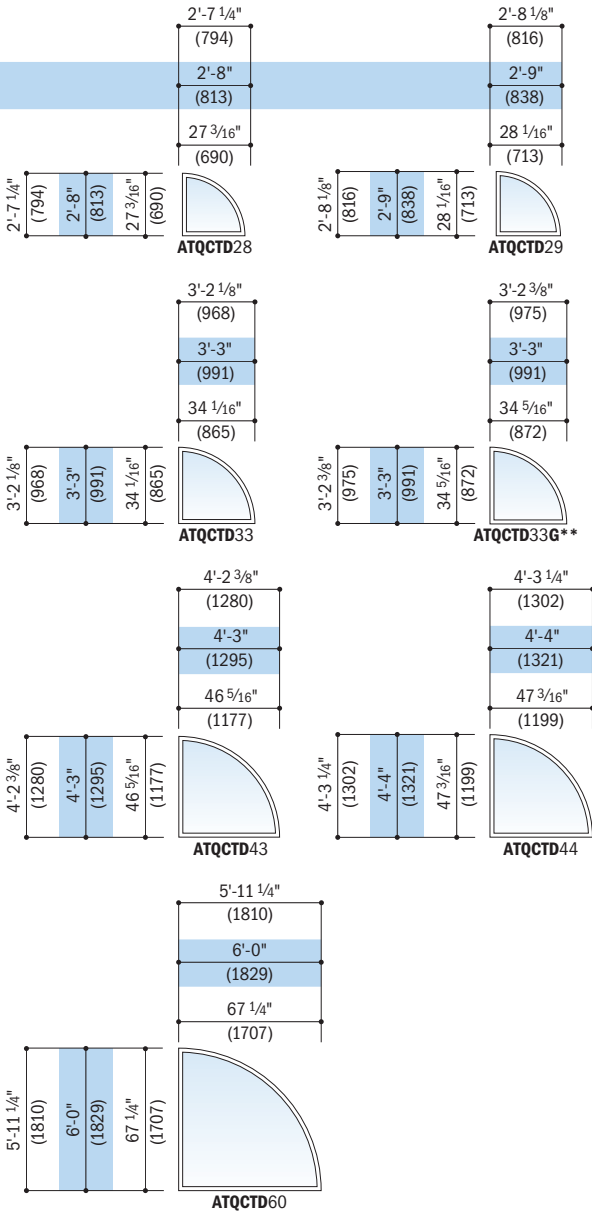
## Table of Direct-Set Quarter Circle Window Sizes

Scale 1/8" (3) = 1'-0" (305) – 1:96

Window Dimension	1'-11 1/4" (591)	2'-0 1/8" (613)	2'-3 1/4" (692)	2'-5 1/4" (743)	2'-6 1/8" (765)
<b>Minimum Rough Opening</b>	2'-0" (610)	2'-1" (635)	2'-4" (711)	2'-6" (762)	2'-7" (787)
Unobstructed Glass	19 3/16" (487)	20 1/16" (509)	23 3/16" (589)	25 3/16" (639)	26 1/16" (662)
	<p>1'-11 1/4" (591) 2'-0" (610) 19 3/16" (487) <b>ATQCTD20</b></p>	<p>2'-0 1/8" (613) 2'-1" (635) 20 1/16" (509) <b>ATQCTD21</b></p>	<p>2'-3 1/4" (692) 2'-4" (711) 23 3/16" (589) <b>ATQCTD24</b></p>	<p>2'-5 1/4" (743) 2'-6" (762) 25 3/16" (639) <b>ATQCTD26</b></p>	<p>2'-6 1/8" (765) 2'-7" (787) 26 1/16" (662) <b>ATQCTD27</b></p>
	<p>2'-8 3/8" (822) 2'-9" (838) 28 5/16" (719) <b>ATQCTD296**</b></p>	<p>2'-9 1/4" (845) 2'-10" (864) 29 3/16" (741) <b>ATQCTD210</b></p>	<p>2'-11 1/4" (895) 3'-0" (914) 31 3/16" (792) <b>ATQCTD30</b></p>	<p>3'-0 1/8" (918) 3'-1" (940) 32 1/16" (814) <b>ATQCTD31</b></p>	<p>3'-1 1/4" (946) 3'-2" (965) 33 3/16" (843) <b>ATQCTD32</b></p>
	<p>3'-3 1/4" (997) 3'-4" (1016) 35 3/16" (894) <b>ATQCTD34</b></p>	<p>3'-5 1/4" (1048) 3'-6" (1067) 37 3/16" (945) <b>ATQCTD36</b></p>	<p>3'-7 1/4" (1099) 3'-8" (1118) 39 3/16" (996) <b>ATQCTD38</b></p>	<p>3'-8 3/8" (1127) 3'-9" (1143) 40 5/16" (1024) <b>ATQCTD39</b></p>	<p>3'-11 1/4" (1200) 4'-0" (1219) 43 3/16" (1097) <b>ATQCTD40</b></p>
	<p>4'-7 1/4" (1403) 4'-8" (1422) 51 1/4" (1301) <b>ATQCTD48</b></p>	<p>4'-11 1/4" (1505) 5'-0" (1524) 55 1/4" (1402) <b>ATQCTD50</b></p>	<p>5'-3 1/4" (1607) 5'-4" (1626) 59 1/4" (1504) <b>ATQCTD54</b></p>	<p>5'-7 1/4" (1708) 5'-8" (1727) 63 1/4" (1606) <b>ATQCTD58</b></p>	

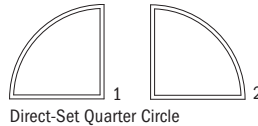
- "Window Dimension" always refers to outside frame to frame dimension.
- "Minimum Rough Opening" dimensions may need to be increased to allow for use of building wraps, flashing, sill panning, brackets, fasteners or other items. See page 217 for more details.
- Dimensions in parentheses are in millimeters.
- \*\*Sized to fit over a single-panel stationary A-Series Frenchwood® Gliding Patio Door.

Notes on this page also apply to the previous page.

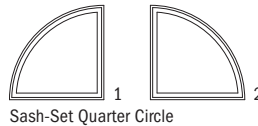


Custom-size windows are available in 1/8"(3) increments.

Contact your Andersen supplier for more information.



Direct-Set Quarter Circle



Sash-Set Quarter Circle

**Direct-set (ATQCTD) window sizes shown.** Use window and rough opening dimensions shown for sash-set (ATQCT) window sizes also. For sash-set unobstructed glass dimensions see page 67.

Details on page 93.

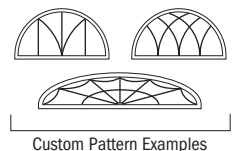
**Grille Patterns**

	Renaissance	Sunburst
Half Circle		
Quarter Circle		
Elliptical		

• Andersen® Finelight™ grilles available in 3/4" (19) profile only.

**Number of lights and overall pattern varies with window size. Patterns are not available in all configurations.**

Specified equal light and custom patterns are also available. For more information on divided light see pages 18-19 or visit [andersenwindows.com/grilles](http://andersenwindows.com/grilles).



Custom Pattern Examples

• "Window Dimension" always refers to outside frame to frame dimension.  
 • "Minimum Rough Opening" dimensions may need to be increased to allow for use of building wraps, flashing, sill panning, brackets, fasteners or other items. See page 217 for more details.  
 • Dimensions in parentheses are in millimeters.  
 • \*\*Sized to fit over a single-panel stationary A-Series Frenchwood® Gliding Patio Door.

## Table of Direct-Set Unequal Leg Arch Window Sizes

Scale 1/8" (3) = 1'-0" (305) – 1:96

Window Dimension	1'-3 1/4" (387)	1'-7 1/4" (489)	1'-11 1/4" (591)	2'-0 1/8" (613)	2'-3 1/4" (692)	2'-5 1/4" (743)	2'-6 1/8" (765)	2'-7 1/4" (794)	2'-8 1/8" (816)	2'-8 3/8" (822)
Minimum Rough Opening	1'-4" (406)	1'-8" (508)	2'-0" (610)	2'-1" (635)	2'-4" (711)	2'-6" (762)	2'-7" (787)	2'-8" (813)	2'-9" (838)	2'-9" (838)

CUSTOM SIZES AVAILABLE										
Radius	36" (914)	42" (1067)	48" (1219)	60" (1524)	60" (1524)	60" (1524)	66" (1676)	66" (1676)	66" (1676)	66" (1676)
Chord Height	3 3/8" (86)	4 5/8" (118)	6" (152)	5 1/16" (129)	6 1/2" (166)	7 5/8" (194)	7 1/4" (185)	7 1/8" (181)	8 3/8" (212)	8 1/2" (216)
Shoulder Height	15 7/8" (403)	14 5/8" (371)	13 1/4" (337)	14 3/16" (360)	12 3/4" (323)	11 5/8" (295)	12" (304)	12 1/8" (308)	10 7/8" (277)	10 3/4" (273)
1'-7 1/4" (489)	ATUD1418	ATUD1818	ATUD2018	ATUD2118	ATUD2418	ATUD2618	ATUD2718	ATUD2818	ATUD2918	ATUD2918G*
1'-9 1/4" (437)	ATUD14110	ATUD18110	ATUD20110		ATUD24110	ATUD26110		ATUD28110		
1'-11 1/4" (591)										
2'-3 1/4" (692)	ATUD1420	ATUD1820	ATUD2020	ATUD2120	ATUD2420	ATUD2620	ATUD2720	ATUD2820	ATUD2920	ATUD2920G**
2'-7 1/4" (794)	ATUD1428	ATUD1828	ATUD2028	ATUD2128	ATUD2428	ATUD2628	ATUD2728	ATUD2828	ATUD2928	ATUD2928G**
2'-11 1/4" (895)	ATUD1430	ATUD1830	ATUD2030	ATUD2130	ATUD2430	ATUD2630	ATUD2730	ATUD2830	ATUD2930	ATUD2930G**

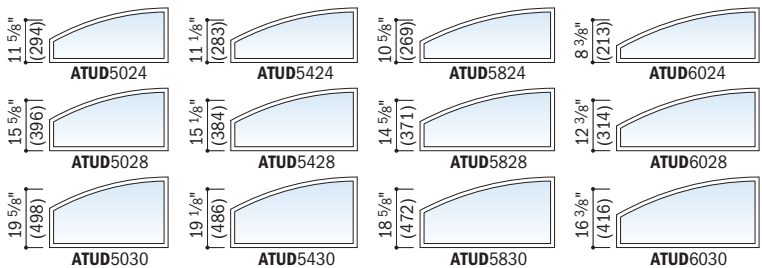
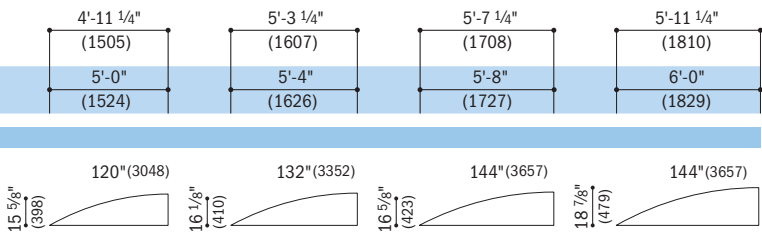
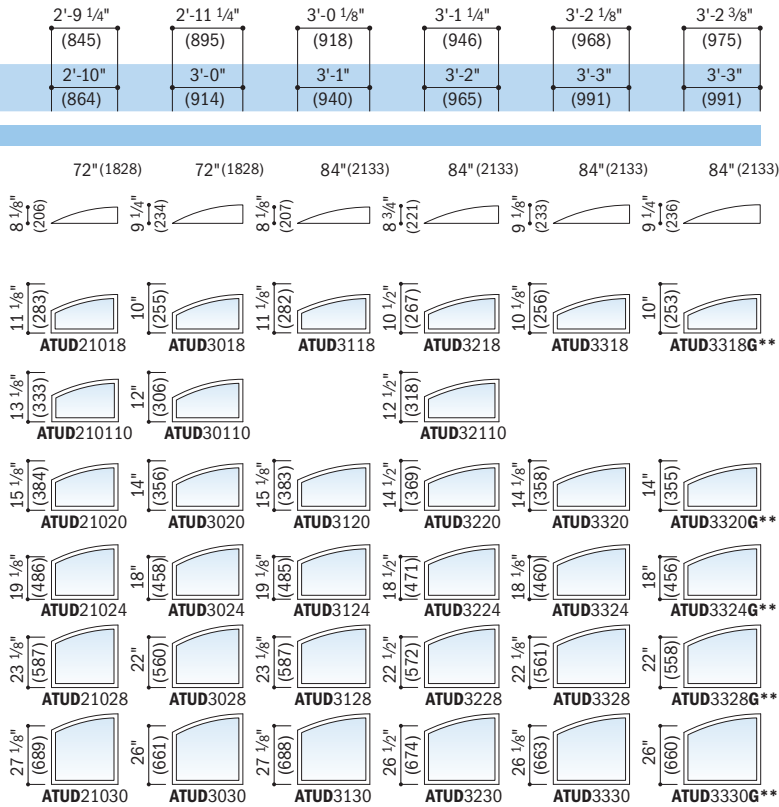
Window Dimension	3'-3 1/4" (997)	3'-7 1/4" (1099)	3'-8 3/8" (1127)	3'-11 1/4" (1200)	4'-2 3/8" (1280)	4'-3 1/4" (1302)	4'-7 1/4" (1403)
Minimum Rough Opening	3'-4" (1016)	3'-8" (1118)	3'-9" (1143)	4'-0" (1219)	4'-3" (1295)	4'-4" (1321)	4'-8" (1422)

CUSTOM SIZES AVAILABLE							
Radius	84" (2133)	96" (2438)	96" (2438)	96" (2438)	108" (2743)	108" (2743)	120" (3048)
Chord Height	9 3/4" (247)	10 1/4" (261)	10 7/8" (276)	12 7/16" (316)	12 1/2" (317)	12 15/16" (329)	13 1/2" (342)
Shoulder Height	9 1/2" (242)	9" (228)	8 3/8" (213)	8 13/16" (224)		8 5/16" (211)	7 3/4" (198)
1'-7 1/4" (489)	ATUD3418	ATUD3818	ATUD3918				
1'-9 1/4" (437)	ATUD34110	ATUD38110		ATUD40110		ATUD44110	ATUD48110
1'-11 1/4" (591)							
2'-3 1/4" (692)	ATUD3420	ATUD3820	ATUD3920	ATUD4020	ATUD4320	ATUD4420	ATUD4820
2'-7 1/4" (794)	ATUD3424	ATUD3824	ATUD3924	ATUD4024	ATUD4324	ATUD4424	ATUD4824
2'-11 1/4" (895)	ATUD3428	ATUD3828	ATUD3928	ATUD4028	ATUD4328	ATUD4428	ATUD4828
3'-0" (914)	ATUD3430	ATUD3830	ATUD3930	ATUD4030	ATUD4330	ATUD4430	ATUD4830

\* "Window Dimension" always refers to outside frame to frame dimension.  
 \*\* "Minimum Rough Opening" dimensions may need to be increased to allow for use of building wraps, flashing, sill panning, brackets, fasteners or other items. See page 217 for more details.  
 • Dimensions in parentheses are in millimeters.  
 \*\* Sized to fit over a single-panel stationary A-Series Frenchwood® Gliding Patio Door.



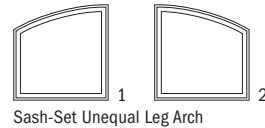
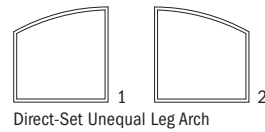
Notes on this page also apply to the previous page.



- "Window Dimension" always refers to outside frame to frame dimension.
- "Minimum Rough Opening" dimensions may need to be increased to allow for use of building wraps, flashing, sill panning, brackets, fasteners or other items. See page 217 for more details.
- Dimensions in parentheses are in millimeters.
- \*\*Sized to fit over a single-panel stationary A-Series Frenchwood® Gliding Patio Door.



Custom-size windows are available in 1/8" (3) increments. Custom divided light patterns available. Contact your Andersen supplier for more information.



**Direct-set (ATUD) window sizes shown.** Use window and rough opening dimensions shown for sash-set (ATU) window sizes also.

Details on page 93.

**Grille Patterns**

	Colonial	Renaissance	Sunburst
<b>Unequal Leg Arch</b>			

• Andersen® Finelight™ grilles available in 3/4" (19) profile only.

**Number of lights and overall pattern varies with window size. Patterns are not available in all configurations.**

Specified equal light and custom patterns are also available. For more information on divided light see pages 18-19 or visit [andersenwindows.com/grilles](http://andersenwindows.com/grilles).

## Table of Direct-Set Octagon Window Sizes

Scale 1/8" (3) = 1'-0" (305) – 1:96

Window Dimension	1'-11 1/4" (591)	2'-3 1/4" (692)	2'-11 1/4" (895)	3'-11 1/4" (1200)	5'-11 1/4" (1810)
<b>Minimum Rough Opening</b>	2'-0" (610)	2'-4" (711)	3'-0" (914)	4'-0" (1219)	6'-0" (1829)
Unobstructed Glass	19 1/4" (489)	23 1/4" (591)	31 1/4" (794)	43 1/4" (1099)	67 1/4" (1708)

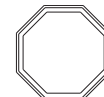
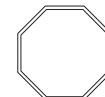


Custom-size octagon and circle windows are available in 1/8" (3) increments. Oval windows are not available in custom sizes. Contact your Andersen supplier for more information.

## Table of Direct-Set Circle Window Sizes

Scale 1/8" (3) = 1'-0" (305) – 1:96

Window Dimension	1'-11 1/4" (591)	2'-3 1/4" (692)	2'-11 1/4" (895)	3'-11 1/4" (1200)	5'-11 1/4" (1810)
<b>Minimum Rough Opening</b>	2'-0" (610)	2'-4" (711)	3'-0" (914)	4'-0" (1219)	6'-0" (1829)
Unobstructed Glass	19 1/4" (489)	23 1/4" (591)	31 1/4" (794)	43 1/4" (1099)	67 1/4" (1708)



Direct-Set Octagon

Sash-Set Octagon



Direct-Set Circle

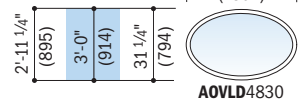
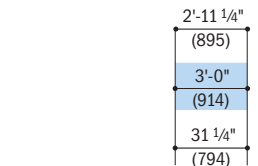
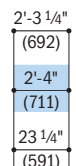
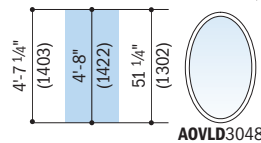
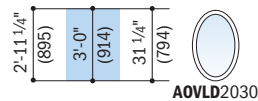
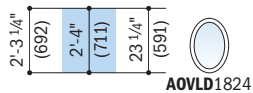
Sash-Set Circle

Direct-set octagon (ATOCD) and circle (ACRD) window sizes shown. Use window and rough opening dimensions shown for sash-set octagon (ATOC) and sash-set circle (ACR) window sizes also. For sash-set unobstructed glass dimensions see page 67.

## Table of Direct-Set Oval Window Sizes

Scale 1/8" (3) = 1'-0" (305) – 1:96

Window Dimension	1'-7 1/4" (489)	1'-11 1/4" (591)	2'-11 1/4" (895)
<b>Minimum Rough Opening</b>	1'-8" (508)	2'-0" (610)	3'-0" (914)
Unobstructed Glass	15 1/4" (387)	19 1/4" (489)	31 1/4" (794)

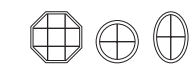


Direct-Set Oval

Oval windows are available direct-set only and can be installed either vertically or horizontally.

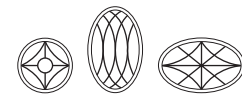
Details on page 93.

Grille patterns are available in Renaissance, colonial, sunburst, specified equal light and custom patterns. For more information on divided light see pages 18-19 or visit [andersenwindows.com/grilles](http://andersenwindows.com/grilles).



Renaissance Examples

Colonial Examples



Custom Pattern Examples

- "Window Dimension" always refers to outside frame to frame dimension.
- "Minimum Rough Opening" dimensions may need to be increased to allow for use of building wraps, flashing, sill panning, brackets, fasteners or other items. See page 217 for more details.
- Dimensions in parentheses are in millimeters.

**Direct-Set Half Circle Window Area Specifications**

Window Number	Glass Area Sq. Ft./ (m <sup>2</sup> )
ATCTD20	0.75 (0.07)
ATCTD21	0.83 (0.08)
ATCTD24	1.15 (0.11)
ATCTD26	1.39 (0.13)
ATCTD27	1.50 (0.14)
ATCTD28	1.65 (0.15)
ATCTD29	1.77 (0.16)
ATCTD29G	1.80 (0.17)
ATCTD210	1.93 (0.18)
ATCTD30	2.23 (0.21)
ATCTD31	2.37 (0.22)
ATCTD32	2.55 (0.24)
ATCTD33	2.70 (0.25)
ATCTD33G	2.75 (0.26)
ATCTD34	2.90 (0.27)
ATCTD38	3.66 (0.34)
ATCTD39	3.89 (0.36)
ATCTD40	4.50 (0.42)
ATCTD43	5.22 (0.48)
ATCTD44	5.43 (0.50)
ATCTD48	6.45 (0.60)
ATCTD50	7.56 (0.70)
ATCTD54	8.75 (0.81)
ATCTD58	10.03 (0.93)
ATCTD60	11.40 (1.06)
ATCTD64	12.86 (1.19)
ATCTD68	14.40 (1.34)
ATCTD70	16.03 (1.49)

**Direct-Set Elliptical Window Area Specifications**

Window Number	Glass Area Sq. Ft./ (m <sup>2</sup> )
ATETD40	1.69 (0.16)
ATETD44	2.01 (0.19)
ATETD48	2.57 (0.24)
ATETD50	2.86 (0.27)
ATETD54	3.41 (0.32)
ATETD58	3.98 (0.37)
ATETD60	4.27 (0.40)
ATETD64	4.82 (0.45)
ATETD68	5.60 (0.52)
ATETD70	6.26 (0.58)
ATETD74	6.62 (0.62)
ATETD711	7.92 (0.74)
ATETD80	8.00 (0.74)
ATETD811	10.13 (0.94)

**Direct-Set Quarter Circle Window Area Specifications**

Window Number	Glass Area Sq. Ft./ (m <sup>2</sup> )
ATQCTD20	1.90 (0.18)
ATQCTD21	2.08 (0.19)
ATQCTD24	2.80 (0.26)
ATQCTD26	3.32 (0.31)
ATQCTD27	3.56 (0.33)
ATQCTD28	3.88 (0.36)

Window Number	Glass Area Sq. Ft./ (m <sup>2</sup> )
ATQCTD29	4.14 (0.38)
ATQCTD29G	4.22 (0.39)
ATQCTD210	4.49 (0.42)
ATQCTD30	5.13 (0.48)
ATQCTD31	5.43 (0.50)
ATQCTD32	5.83 (0.54)
ATQCTD33	6.14 (0.57)
ATQCTD33G	6.23 (0.58)
ATQCTD34	6.56 (0.61)
ATQCTD36	7.34 (0.68)
ATQCTD38	8.16 (0.76)
ATQCTD39	8.64 (0.80)
ATQCTD40	9.94 (0.92)
ATQCTD43	11.45 (1.06)
ATQCTD44	11.89 (1.10)
ATQCTD48	14.01 (1.30)
ATQCTD50	16.31 (1.52)
ATQCTD54	18.79 (1.75)
ATQCTD58	21.44 (1.99)
ATQCTD60	24.26 (2.25)

**Direct-Set Octagon Window Area Specifications**

Window Number	Glass Area Sq. Ft./ (m <sup>2</sup> )
ATOCD20	2.13 (0.20)
ATOCD24	3.11 (0.29)
ATOCD30	5.62 (0.52)
ATOCD40	10.76 (1.00)
ATOCD60	26.02 (2.42)

**Direct-Set Circle & Oval Window Area Specifications**

Window Number	Glass Area Sq. Ft./ (m <sup>2</sup> )
ACRD20	2.02 (0.19)
ACRD24	2.95 (0.27)
ACRD30	5.33 (0.50)
ACRD40	10.20 (0.95)
ACRD60	24.67 (2.29)
AOVLD1824/AOVLD2418	1.93 (0.18)
AOVLD2030/AOVLD3020	3.27 (0.30)
AOVLD3048/AOVLD4830	8.71 (0.81)

**Direct-Set Unequal Leg Arch Window Area Specifications**

Window Number	Glass Area Sq. Ft./ (m <sup>2</sup> )
ATUD1418	1.11 (0.10)
ATUD14110	1.27 (0.12)
ATUD1420	1.42 (0.13)
ATUD1424	1.74 (0.16)
ATUD1428	2.05 (0.19)
ATUD1430	2.36 (0.22)
ATUD1818	1.46 (0.14)
ATUD18110	1.67 (0.16)
ATUD1820	1.89 (0.18)

Window Number	Glass Area Sq. Ft./ (m <sup>2</sup> )
ATUD1824	2.31 (0.21)
ATUD1828	2.73 (0.25)
ATUD1830	3.16 (0.29)
ATUD2018	1.79 (0.17)
ATUD20110	2.06 (0.19)
ATUD2020	2.32 (0.22)
ATUD2024	2.86 (0.27)
ATUD2028	3.39 (0.31)
ATUD2030	3.93 (0.37)
ATUD2118	1.91 (0.18)
ATUD2120	2.47 (0.23)
ATUD2124	3.03 (0.28)
ATUD2128	3.59 (0.33)
ATUD2130	4.15 (0.39)
ATUD2418	2.13 (0.20)
ATUD24110	2.45 (0.23)
ATUD2420	2.78 (0.26)
ATUD2424	3.42 (0.32)
ATUD2428	4.07 (0.38)
ATUD2430	4.71 (0.44)
ATUD2618	2.26 (0.21)
ATUD26110	2.61 (0.24)
ATUD2620	2.96 (0.27)
ATUD2624	3.66 (0.34)
ATUD2628	4.36 (0.41)
ATUD2630	5.06 (0.47)
ATUD2718	2.35 (0.22)
ATUD2720	3.08 (0.29)
ATUD2724	3.80 (0.35)
ATUD2728	4.53 (0.42)
ATUD2730	5.25 (0.49)
ATUD2818	2.42 (0.22)
ATUD28110	2.80 (0.26)
ATUD2820	3.18 (0.30)
ATUD2824	3.93 (0.37)
ATUD2828	4.69 (0.44)
ATUD2830	5.45 (0.51)
ATUD2918	2.47 (0.23)
ATUD2920	3.25 (0.30)
ATUD2924	4.03 (0.37)
ATUD2928	4.81 (0.45)
ATUD2930	5.59 (0.52)
ATUD2918G	2.48 (0.23)
ATUD2920G	3.27 (0.30)
ATUD2924G	4.06 (0.38)
ATUD2928G	4.84 (0.45)
ATUD2930G	5.63 (0.52)
ATUD21018	2.58 (0.24)
ATUD210110	2.98 (0.28)
ATUD21020	3.39 (0.31)
ATUD21024	4.20 (0.39)
ATUD21028	5.01 (0.47)
ATUD21030	5.83 (0.54)
ATUD3018	2.68 (0.25)
ATUD30110	3.11 (0.29)
ATUD3020	3.55 (0.33)
ATUD3024	4.42 (0.41)
ATUD3028	5.28 (0.49)
ATUD3030	6.15 (0.57)
ATUD3118	2.83 (0.26)

Window Number	Glass Area Sq. Ft./ (m <sup>2</sup> )
ATUD3120	3.72 (0.35)
ATUD3124	4.61 (0.43)
ATUD3128	5.50 (0.51)
ATUD3130	6.40 (0.59)
ATUD3218	2.88 (0.27)
ATUD32110	3.35 (0.31)
ATUD3220	3.81 (0.35)
ATUD3224	4.73 (0.44)
ATUD3228	5.66 (0.53)
ATUD3230	6.58 (0.61)
ATUD3318	2.93 (0.27)
ATUD3320	3.88 (0.36)
ATUD3324	4.82 (0.45)
ATUD3328	5.77 (0.54)
ATUD3330	6.72 (0.62)
ATUD3318G	2.94 (0.27)
ATUD3320G	3.89 (0.36)
ATUD3324G	4.85 (0.45)
ATUD3328G	5.80 (0.54)
ATUD3330G	6.76 (0.63)
ATUD3418	2.98 (0.28)
ATUD34110	3.47 (0.32)
ATUD3420	3.96 (0.37)
ATUD3424	4.94 (0.46)
ATUD3428	5.92 (0.55)
ATUD3430	6.90 (0.64)
ATUD3818	3.27 (0.30)
ATUD38110	3.81 (0.35)
ATUD3820	4.36 (0.41)
ATUD3824	5.45 (0.51)
ATUD3828	6.54 (0.61)
ATUAD3830	7.63 (0.71)
ATUAD3918	3.31 (0.31)
ATUAD3920	4.43 (0.41)
ATUAD3924	5.55 (0.52)
ATUAD3928	6.67 (0.62)
ATUAD3930	7.79 (0.72)
ATUAD40110	4.00 (0.37)
ATUAD4020	4.60 (0.43)
ATUAD4024	5.80 (0.54)
ATUAD4028	7.00 (0.65)
ATUAD4030	8.20 (0.76)
ATUAD4318	4.92 (0.46)
ATUAD4320	6.21 (0.58)
ATUAD4324	7.50 (0.70)
ATUAD4328	8.79 (0.82)
ATUAD44110	4.31 (0.40)
ATUAD4420	4.97 (0.46)
ATUAD4424	6.28 (0.58)
ATUAD4428	7.59 (0.71)
ATUAD4430	8.90 (0.83)
ATUAD48110	4.61 (0.43)
ATUAD4820	5.32 (0.49)
ATUAD4824	6.74 (0.63)
ATUAD4828	8.17 (0.76)
ATUAD4830	9.59 (0.89)
ATUAD5024	7.01 (0.65)
ATUAD5028	8.54 (0.79)
ATUAD5030	10.08 (0.94)

• Dimensions in parentheses are in square meters.  
continued on next page

## Direct-Set Unequal Leg Arch Window Area Specifications *(continued)*

Window Number	Glass Area Sq. Ft./ (m <sup>2</sup> )
ATUAD5424	7.45 (0.69)
ATUAD5428	9.09 (0.84)
ATUAD5430	10.74 (1.00)
ATUAD5824	7.87 (0.73)
ATUAD5828	9.63 (0.89)
ATUAD5830	11.38 (1.06)
ATUAD6024	8.05 (0.75)
ATUAD6028	9.91 (0.92)
ATUAD6030	11.78 (1.09)

Window Number	Glass Area Sq. Ft./ (m <sup>2</sup> )
ATU2418	1.51 (0.14)
ATU24110	1.80 (0.17)
ATU2420	2.09 (0.19)
ATU2424	2.66 (0.25)
ATU2428	3.23 (0.30)
ATU2430	3.80 (0.35)
ATU2618	1.61 (0.15)
ATU26110	1.92 (0.18)
ATU2620	2.24 (0.21)
ATU2624	2.86 (0.27)
ATU2628	3.49 (0.32)
ATU2630	4.12 (0.38)
ATU2718	1.69 (0.16)
ATU2720	2.34 (0.22)
ATU2724	2.99 (0.28)
ATU2728	3.64 (0.34)
ATU2730	4.30 (0.40)
ATU2818	1.74 (0.16)
ATU28110	2.08 (0.19)
ATU2820	2.42 (0.22)
ATU2824	3.10 (0.29)
ATU2828	3.79 (0.35)
ATU2830	4.47 (0.42)
ATU2918	1.77 (0.16)
ATU2920	2.48 (0.23)
ATU2924	3.19 (0.30)
ATU2928	3.89 (0.36)
ATU2930	4.60 (0.43)
ATU2918G	1.78 (0.17)
ATU2920G	2.50 (0.23)
ATU2924G	3.21 (0.30)
ATU2928G	3.92 (0.36)
ATU2930G	4.64 (0.43)
ATU21018	1.86 (0.17)
ATU210110	2.23 (0.21)
ATU21020	2.60 (0.24)
ATU21024	3.34 (0.31)
ATU21028	4.08 (0.38)

Window Number	Glass Area Sq. Ft./ (m <sup>2</sup> )
ATU21030	4.82 (0.45)
ATU3018	1.93 (0.18)
ATU30110	2.33 (0.22)
ATU3020	2.73 (0.25)
ATU3024	3.52 (0.33)
ATU3028	4.32 (0.40)
ATU3030	5.11 (0.47)
ATU3118	2.06 (0.19)
ATU3120	2.88 (0.27)
ATU3124	3.70 (0.34)
ATU3128	4.51 (0.42)
ATU3130	5.33 (0.50)
ATU3218	2.10 (0.20)
ATU32110	2.53 (0.24)
ATU3220	2.95 (0.27)
ATU3224	3.80 (0.35)
ATU3228	4.65 (0.43)
ATU3230	5.50 (0.51)
ATU3318	2.13 (0.20)
ATU3320	3.00 (0.28)
ATU3324	3.88 (0.36)
ATU3328	4.75 (0.44)
ATU3330	5.63 (0.52)
ATU3318G	2.14 (0.20)
ATU3320G	3.02 (0.28)
ATU3324G	3.90 (0.36)
ATU3328G	4.78 (0.44)
ATU3330G	5.66 (0.53)
ATU3418	2.16 (0.20)
ATU34110	2.62 (0.24)
ATU3420	3.07 (0.29)
ATU3424	3.98 (0.37)
ATU3428	4.88 (0.45)
ATUA3430	5.79 (0.54)
ATUA3818	2.38 (0.22)
ATUA38110	2.89 (0.27)
ATUA3820	3.40 (0.32)
ATUA3824	4.42 (0.41)

Window Number	Glass Area Sq. Ft./ (m <sup>2</sup> )
ATUA3828	5.43 (0.50)
ATUA3830	6.45 (0.60)
ATUA3918	2.41 (0.22)
ATUA3920	3.46 (0.32)
ATUA3924	4.50 (0.42)
ATUA3928	5.55 (0.52)
ATUA3930	6.60 (0.61)
ATUA40110	3.02 (0.28)
ATUA4020	3.58 (0.33)
ATUA4024	4.71 (0.44)
ATUA4028	5.84 (0.54)
ATUA4030	6.96 (0.65)
ATUA4318	3.85 (0.36)
ATUA4320	5.06 (0.47)
ATUA4324	6.28 (0.58)
ATUA4328	7.49 (0.70)
ATUA44110	3.26 (0.30)
ATUA4420	3.88 (0.36)
ATUA4424	5.12 (0.48)
ATUA4428	6.36 (0.59)
ATUA4430	7.60 (0.71)
ATUA48110	3.49 (0.32)
ATUA4820	4.17 (0.39)
ATUA4824	5.52 (0.51)
ATUA4828	6.87 (0.64)
ATUA4830	8.22 (0.76)
ATUA5024	5.72 (0.53)
ATUA5028	7.18 (0.67)
ATUA5030	8.64 (0.80)
ATUA5424	6.09 (0.57)
ATUA5428	7.66 (0.71)
ATUA5430	9.23 (0.86)
ATUA5824	6.45 (0.60)
ATUA5828	8.13 (0.76)
ATUA5830	9.81 (0.91)
ATUA6024	6.56 (0.61)
ATUA6028	8.36 (0.78)
ATUA6030	10.15 (0.94)

• Dimensions in parentheses are in square meters.

## Sash-Set Unequal Leg Arch Window Area Specifications

Window Number	Glass Area Sq. Ft./ (m <sup>2</sup> )
ATU1418	0.69 (0.06)
ATU14110	0.81 (0.08)
ATU1420	0.93 (0.09)
ATU1424	1.17 (0.11)
ATU1428	1.41 (0.13)
ATU1430	1.65 (0.15)
ATU1818	0.98 (0.09)
ATU18110	1.15 (0.11)
ATU1820	1.33 (0.12)
ATU1824	1.68 (0.16)
ATU1828	2.03 (0.19)
ATU1830	2.38 (0.22)
ATU2018	1.24 (0.12)
ATU20110	1.47 (0.14)
ATU2020	1.70 (0.16)
ATU2024	2.16 (0.20)
ATU2028	2.62 (0.24)
ATU2030	3.08 (0.29)
ATU2118	1.34 (0.12)
ATU2120	1.83 (0.17)
ATU2124	2.31 (0.21)
ATU2128	2.80 (0.26)
ATU2130	3.28 (0.30)

## Sash-Set Half Circle Window Unobstructed Glass Dimensions and Area Specifications

Window Number	Unobstructed Glass Width Inches/(mm)	Unobstructed Glass Height Inches/(mm)	Glass Area Sq. Ft./ (m <sup>2</sup> )
ATCT20	15 3/16" (386)	5" (127)	0.38 (0.04)
ATCT21	16 1/8" (410)	5 7/16" (138)	0.44 (0.04)
ATCT24	19 1/2" (495)	7" (178)	0.69 (0.06)
ATCT26	21 9/16" (548)	8" (203)	0.88 (0.08)
ATCT27	22 1/2" (572)	8 7/16" (214)	0.97 (0.09)
ATCT28	23 11/16" (602)	9" (229)	1.09 (0.10)
ATCT29	24 9/16" (624)	9 7/16" (240)	1.19 (0.11)
ATCT29G	24 13/16" (630)	9 9/16" (243)	1.22 (0.11)
ATCT210	25 1/8" (638)	10" (254)	1.32 (0.12)
ATCT30	27 13/16" (706)	11" (279)	1.57 (0.15)
ATCT31	28 11/16" (729)	11 7/16" (291)	1.69 (0.16)
ATCT32	29 7/8" (759)	12" (305)	1.85 (0.17)
ATCT33	30 3/4" (781)	12 7/16" (316)	1.98 (0.18)
ATCT33G	31" (787)	12 9/16" (319)	2.02 (0.19)
ATCT34	31 15/16" (811)	13" (330)	2.15 (0.20)

Window Number	Unobstructed Glass Width Inches/(mm)	Unobstructed Glass Height Inches/(mm)	Glass Area Sq. Ft./ (m <sup>2</sup> )
ATCT38	36" (914)	15" (381)	2.81 (0.26)
ATCT39	37 1/8" (943)	15 9/16" (395)	3.01 (0.28)
ATCT40	40 1/16" (1018)	17" (432)	3.56 (0.33)
ATCT43	43 3/16" (1097)	18 9/16" (471)	4.21 (0.39)
ATCT44	44 1/8" (1121)	19" (483)	4.40 (0.41)
ATCT48	48 1/8" (1222)	21" (533)	5.32 (0.49)
ATCT50	52 3/16" (1326)	23" (584)	6.33 (0.59)
ATCT54	56 3/16" (1427)	25" (635)	7.43 (0.69)
ATCT58	60 1/4" (1530)	27" (686)	8.62 (0.80)
ATCT60	64 1/4" (1632)	29" (737)	9.89 (0.92)
ATCT64	68 1/4" (1734)	31" (787)	11.25 (1.05)
ATCT68	72 5/16" (1837)	33" (838)	12.70 (1.18)
ATCT70	76 5/16" (1938)	35" (889)	14.23 (1.32)

## Sash-Set Elliptical Window Unobstructed Glass Dimensions and Area Specifications

Window Number	Unobstructed Glass Width Inches/(mm)	Unobstructed Glass Height Inches/(mm)	Glass Area Sq. Ft./ (m <sup>2</sup> )
ATET40	36 1/2" (927)	5 1/4" (133)	0.94 (0.09)
ATET44	40 3/4" (1035)	6" (152)	1.18 (0.11)
ATET48	46 7/16" (1180)	6 5/8" (168)	1.63 (0.15)
ATET50	50 5/8" (1286)	7 3/8" (187)	1.84 (0.17)
ATET54	55 1/2" (1410)	8 1/8" (206)	2.30 (0.21)
ATET58	60 1/16" (1526)	8 7/8" (225)	2.78 (0.26)
ATET60	63" (1600)	9 1/2" (241)	3.01 (0.28)
ATET64	67 1/8" (1705)	10 1/4" (260)	3.48 (0.32)
ATET68	71 7/8" (1826)	11" (279)	4.17 (0.39)
ATET70	76 1/2" (1934)	11 3/4" (298)	4.74 (0.44)
ATET74	79 3/8" (2016)	12 3/8" (314)	5.05 (0.47)
ATET711	86 11/16" (2202)	13 3/4" (349)	6.20 (0.58)
ATET80	87 1/2" (2223)	13 7/8" (352)	6.27 (0.58)
ATET811	98 13/16" (2510)	15 7/8" (403)	8.18 (0.76)

• Dimensions in parentheses are in millimeters or square meters.



**Sash-Set Quarter Circle Window  
Unobstructed Glass Dimensions and  
Area Specifications**

Window Number	Unobstructed Glass Width Inches/(mm)	Unobstructed Glass Height Inches/(mm)	Glass Area Sq. Ft./ (m <sup>2</sup> )
ATQCT20	16 5/16" (414)	16 5/16" (414)	1.33 (0.12)
ATQCT21	17 3/16" (437)	17 3/16" (437)	1.48 (0.14)
ATQCT24	20 3/8" (518)	20 3/8" (518)	2.10 (0.20)
ATQCT26	22 3/8" (568)	22 3/8" (568)	2.55 (0.24)
ATQCT27	23 1/4" (591)	23 1/4" (591)	2.76 (0.26)
ATQCT28	24 3/8" (619)	24 3/8" (619)	3.04 (0.28)
ATQCT29	25 1/4" (641)	25 1/4" (641)	3.27 (0.30)
ATQCT29G	25 1/2" (648)	25 1/2" (648)	3.34 (0.31)
ATQCT210	26 7/16" (672)	26 7/16" (672)	3.58 (0.33)
ATQCT30	28 7/16" (722)	28 7/16" (722)	4.16 (0.39)
ATQCT31	29 5/16" (745)	29 5/16" (745)	4.43 (0.41)
ATQCT32	30 7/16" (773)	30 7/16" (773)	4.79 (0.45)
ATQCT33	31 5/16" (795)	31 5/16" (795)	5.08 (0.47)
ATQCT33G	31 9/16" (802)	31 9/16" (802)	5.16 (0.48)
ATQCT34	32 7/16" (824)	32 7/16" (824)	5.46 (0.51)
ATQCT36	34 7/16" (875)	34 7/16" (875)	6.17 (0.57)
ATQCT38	36 7/16" (926)	36 7/16" (926)	6.93 (0.64)
ATQCT39	37 9/16" (954)	37 9/16" (954)	7.37 (0.68)
ATQCT40	40 7/16" (1027)	40 7/16" (1027)	8.57 (0.80)
ATQCT43	43 5/8" (1108)	43 5/8" (1108)	9.98 (0.93)
ATQCT44	44 1/2" (1130)	44 1/2" (1130)	10.39 (0.97)
ATQCT48	48 1/2" (1232)	48 1/2" (1232)	12.38 (1.15)
ATQCT50	52 1/2" (1334)	52 1/2" (1334)	14.55 (1.35)
ATQCT54	56 1/2" (1435)	56 1/2" (1435)	16.89 (1.57)
ATQCT58	60 1/2" (1537)	60 1/2" (1537)	19.41 (1.80)
ATQCT60	64 1/2" (1638)	64 1/2" (1638)	22.10 (2.05)

**Sash-Set Octagon & Circle Window  
Unobstructed Glass Dimensions and  
Area Specifications**

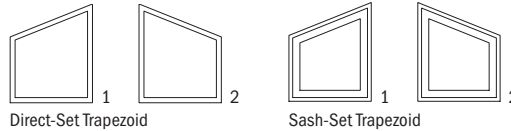
Window Number	Unobstructed Glass Width Inches/(mm)	Unobstructed Glass Height Inches/(mm)	Glass Area Sq. Ft./ (m <sup>2</sup> )
ATOC20	16 5/8" (422)	16 5/8" (422)	1.58 (0.15)
ATOC24	20 5/8" (524)	20 5/8" (524)	2.44 (0.23)
ATOC30	28 5/8" (727)	28 5/8" (727)	4.70 (0.44)
ATOC40	40 5/8" (1032)	40 5/8" (1032)	9.48 (0.88)
ATOC60	64 5/8" (1641)	64 5/8" (1641)	24.00 (2.23)
ACR20	16 5/8" (422)	16 5/8" (422)	1.50 (0.14)
ACR24	20 5/8" (524)	20 5/8" (524)	2.31 (0.21)
ACR30	28 5/8" (727)	28 5/8" (727)	4.46 (0.41)
ACR40	40 5/8" (1032)	40 5/8" (1032)	8.99 (0.84)
ACR60	64 5/8" (1641)	64 5/8" (1641)	22.76 (2.11)

• Dimensions in parentheses are in millimeters or square meters.

**Trapezoid Window Sizes**



Trapezoid windows are available in custom sizes in 1/8" (3) increments.



Available direct-set or sash-set. Choose type 1 or 2 as viewed from the exterior.

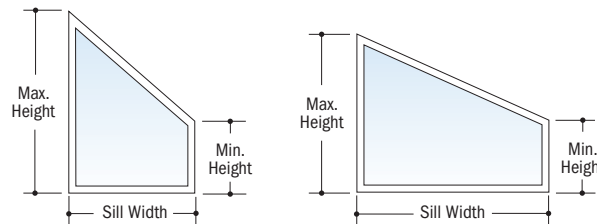
**Design Criteria**

Listed below are some factors that must be considered when deciding on a custom-size trapezoid window.

**Minimum and Maximum Limits**

Trapezoid windows may be assembled in custom sizes with these limitations:

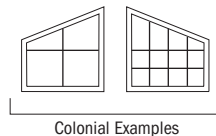
- MAXIMUM GLASS AREA 50 sq. ft. or 4.65 m<sup>2</sup> for Low-E4<sup>®</sup> Tempered Impact-Resistant Glass**
- Square footage is based on a square or rectangular shape**
- No leg may be less than 12" (305)**
- Legs must be equal to or less than 72" (1829) on one side and equal to or less than 120" (3048) on other side**



Specify window width at sill, window height, and length of short side. Slope is often designed to match a roof's slope. Contact your Andersen supplier for more information.

Details on page 93.

Grille patterns are available in custom patterns. For more information on divided light see pages 18-19 or visit [andersenwindows.com/grilles](http://andersenwindows.com/grilles).



## Table of Direct-Set Arch Window Sizes

Scale 1/8" (3) = 1'-0" (305) – 1:96

Window Dimension	1'-11 1/4" (591)	2'-0 1/8" (613)	2'-3 1/4" (692)	2'-5 1/4" (743)	2'-6 1/8" (765)	2'-7 1/4" (794)	2'-8 1/8" (816)	2'-8 3/8" (822)	2'-9 1/4" (845)
<b>Minimum Rough Opening</b>	2'-0" (610)	2'-1" (635)	2'-4" (711)	2'-6" (762)	2'-7" (787)	2'-8" (813)	2'-9" (838)	2'-9" (838)	2'-10" (864)
Unobstructed Glass	19 1/4" (489)	20 1/8" (511)	23 1/4" (591)	25 1/4" (641)	26 1/8" (664)	27 1/4" (692)	28 1/8" (714)	28 3/8" (721)	29 1/4" (743)

### CUSTOM SIZES AVAILABLE

Minimum Rough Opening = window height + 3/4" (19)

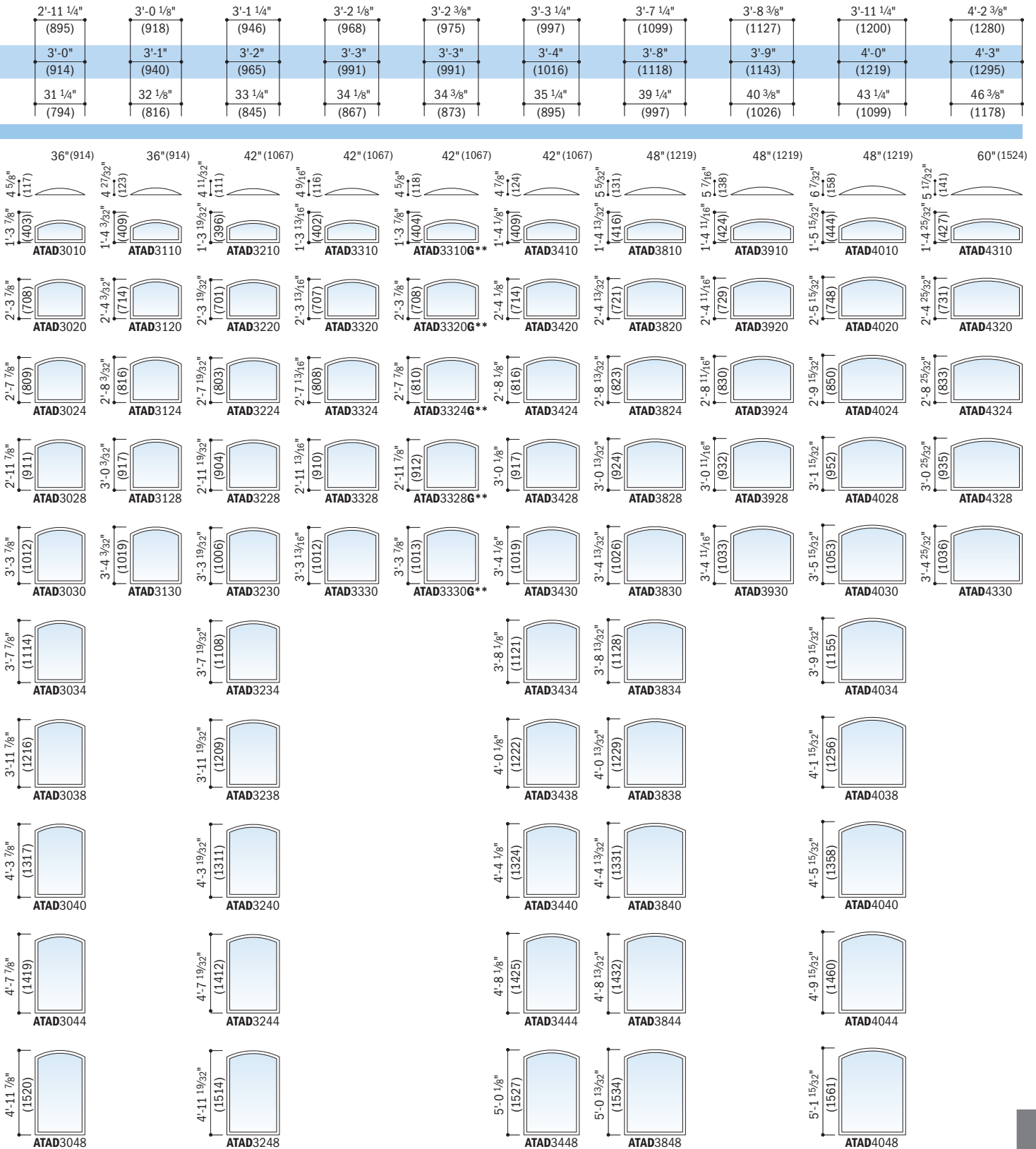
Unobstructed Glass = window height - 4" (102)

CUSTOM SIZES AVAILABLE

Window height shown in table	Radius 24" (610)	30" (762)	30" (762)	30" (762)	36" (914)	36" (914)	36" (914)	36" (914)	36" (914)	36" (914)
Chord Height	3" (76)	2 17/32" (64)	3 9/32" (83)	3 13/16" (97)	3 5/16" (84)	3 9/16" (91)	3 25/32" (96)	3 27/32" (98)	4 1/16" (103)	
Shoulder Height	11 1/4" (286)	1'-1 25/32" (350)	1'-2 17/32" (369)	1'-3 1/16" (382)	1'-2 9/16" (370)	1'-2 13/16" (376)	1'-3 1/32" (382)	1'-3 3/32" (383)	1'-3 5/16" (389)	
23 1/4" (591)	ATAD2010	ATAD2110	ATAD2410	ATAD2610	ATAD2710	ATAD2810	ATAD2910	ATAD2910G**	ATAD21010	
27 1/4" (692)	ATAD2020	ATAD2120	ATAD2420	ATAD2620	ATAD2720	ATAD2820	ATAD2920	ATAD2920G**	ATAD21020	
27 1/4" (692)	ATAD2024	ATAD2124	ATAD2424	ATAD2624	ATAD2724	ATAD2824	ATAD2924	ATAD2924G**	ATAD21024	
31 1/4" (794)	ATAD2028	ATAD2128	ATAD2428	ATAD2628	ATAD2728	ATAD2828	ATAD2928	ATAD2928G**	ATAD21028	
35 1/4" (895)	ATAD2030	ATAD2130	ATAD2430	ATAD2630	ATAD2730	ATAD2830	ATAD2930	ATAD2930G**	ATAD21030	
39 1/4" (997)	ATAD2034		ATAD2434	ATAD2634		ATAD2834			ATAD21034	
43 1/4" (1099)	ATAD2038		ATAD2438	ATAD2638		ATAD2838			ATAD21038	
47 1/4" (1200)	ATAD2040		ATAD2440	ATAD2640		ATAD2840			ATAD21040	
51 1/4" (1302)	ATAD2044		ATAD2444	ATAD2644		ATAD2844			ATAD21044	
55 1/4" (1403)	ATAD2048		ATAD2448	ATAD2648		ATAD2848			ATAD21048	

• "Window Dimension" always refers to outside frame to frame dimension.  
 • "Minimum Rough Opening" dimensions may need to be increased to allow for use of building wraps, flashing, sill panning, brackets, fasteners or other items. See page 217 for more details.  
 • Dimensions in parentheses are in millimeters.  
 • \*\*Sized to fit over a single-panel stationary A-Series Frenchwood® Gliding Patio Door.

Notes on page 73 also apply to this page. Arch sizes on pages 68-80.



continued on next page

- "Window Dimension" always refers to outside frame to frame dimension.
- "Minimum Rough Opening" dimensions may need to be increased to allow for use of building wraps, flashing, sill panning, brackets, fasteners or other items. See page 217 for more details.
- Dimensions in parentheses are in millimeters.
- \*\*Sized to fit over a single-panel stationary A-Series Frenchwood® Gliding Patio Door.

**Table of Direct-Set Arch Window Sizes** (continued)

Scale 1/8" (3) = 1'-0" (305) – 1:96

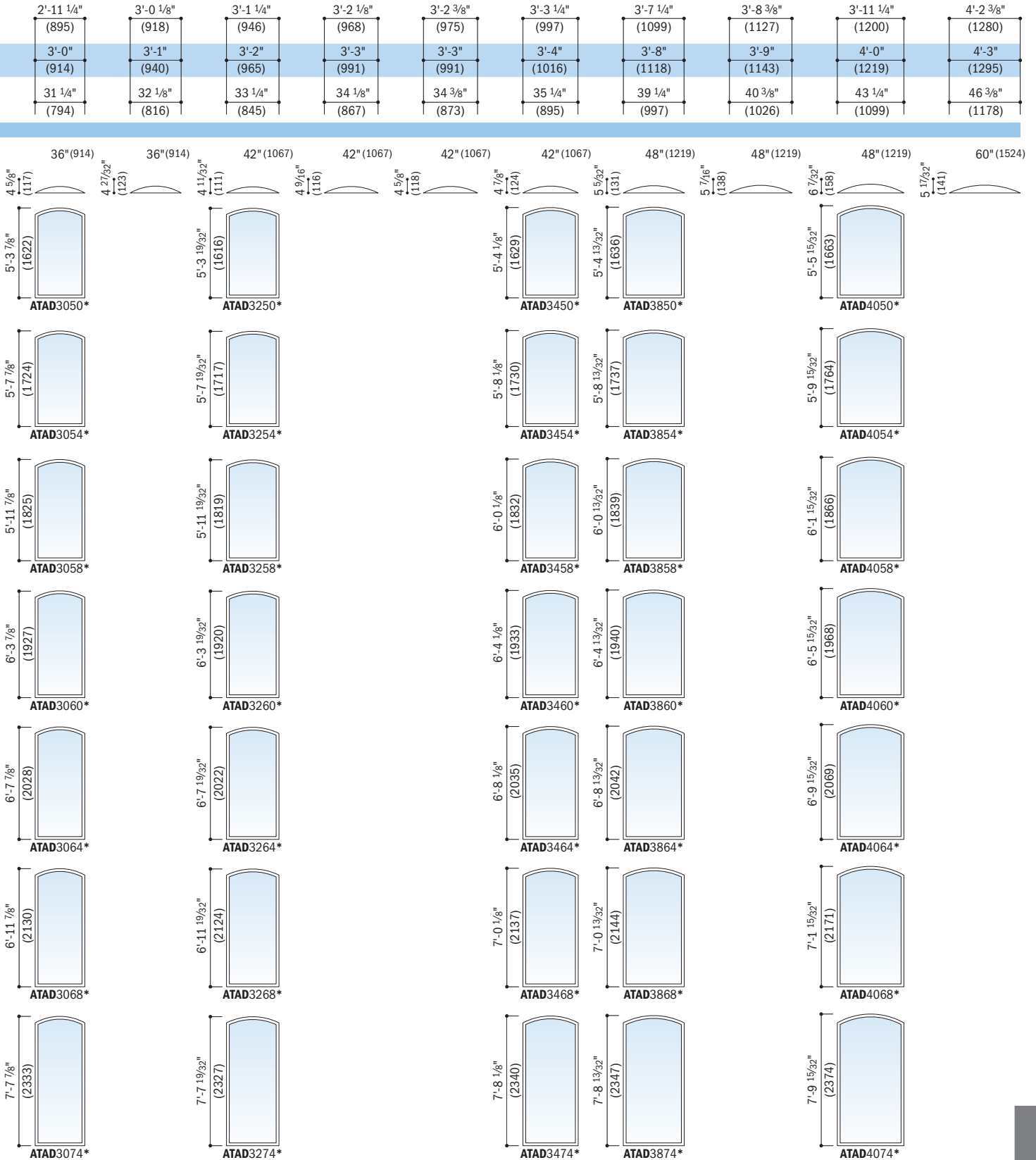
Window Dimension	1'-11 1/4" (591)	2'-0 1/8" (613)	2'-3 1/4" (692)	2'-5 1/4" (743)	2'-6 1/8" (765)	2'-7 1/4" (794)	2'-8 1/8" (816)	2'-8 3/8" (822)	2'-9 1/4" (845)
<b>Minimum Rough Opening</b>	2'-0" (610)	2'-1" (635)	2'-4" (711)	2'-6" (762)	2'-7" (787)	2'-8" (813)	2'-9" (838)	2'-9" (838)	2'-10" (864)
Unobstructed Glass	19 1/4" (489)	20 1/8" (511)	23 1/4" (591)	25 1/4" (641)	26 1/8" (664)	27 1/4" (692)	28 1/8" (714)	28 3/8" (721)	29 1/4" (743)

Window height shown in table	CUSTOM SIZES AVAILABLE									
	Radius	24" (610)	30" (762)	30" (762)	30" (762)	36" (914)	36" (914)	36" (914)	36" (914)	36" (914)
Chord Height	3" (76)	2 17/32" (64)	3 9/32" (83)	3 13/16" (97)	3 5/16" (84)	3 9/16" (91)	3 25/32" (96)	3 27/32" (98)	4 1/16" (103)	4 1/16" (103)
Shoulder Height	59 1/4" (1505)	5'-2 17/32" (1588)	5'-3 1/16" (1602)	5'-3 1/16" (1602)	5'-2 13/16" (1596)	5'-2 13/16" (1596)	5'-10 17/32" (1791)	5'-11 1/16" (1805)	5'-10 13/16" (1799)	5'-3 5/16" (1608)
Unobstructed Glass = window height - 4" (102)	ATAD2050	ATAD2450	ATAD2650	ATAD2650	ATAD2850	ATAD2850	ATAD2858*	ATAD2858*	ATAD21050	ATAD21050
Minimum Rough Opening = window height + 3/4" (19)	ATAD2054	ATAD2454	ATAD2654	ATAD2654	ATAD2854	ATAD2854	ATAD2864*	ATAD2864*	ATAD21054*	ATAD21054*
	ATAD2058	ATAD2458	ATAD2658	ATAD2658	ATAD2858*	ATAD2858*	ATAD2868*	ATAD2868*	ATAD21058*	ATAD21058*
	ATAD2060	ATAD2460	ATAD2660*	ATAD2660*	ATAD2860*	ATAD2860*	ATAD2870*	ATAD2870*	ATAD21060*	ATAD21060*
	ATAD2064	ATAD2464	ATAD2664*	ATAD2664*	ATAD2864*	ATAD2864*	ATAD2874*	ATAD2874*	ATAD21064*	ATAD21064*
	ATAD2068	ATAD2468*	ATAD2668*	ATAD2668*	ATAD2868*	ATAD2868*	ATAD2878*	ATAD2878*	ATAD21068*	ATAD21068*
	ATAD2074	ATAD2474*	ATAD2674*	ATAD2674*	ATAD2874*	ATAD2874*	ATAD2884*	ATAD2884*	ATAD21074*	ATAD21074*

- \* "Window Dimension" always refers to outside frame to frame dimension.
- \* "Minimum Rough Opening" dimensions may need to be increased to allow for use of building wraps, flashing, sill panning, brackets, fasteners or other items. See page 217 for more details.
- Dimensions in parentheses are in millimeters.
- \*Tempered laminated glass required. Some visual distortion may occur.



Notes on page 73 also apply to this page. Arch sizes on pages 68-80.

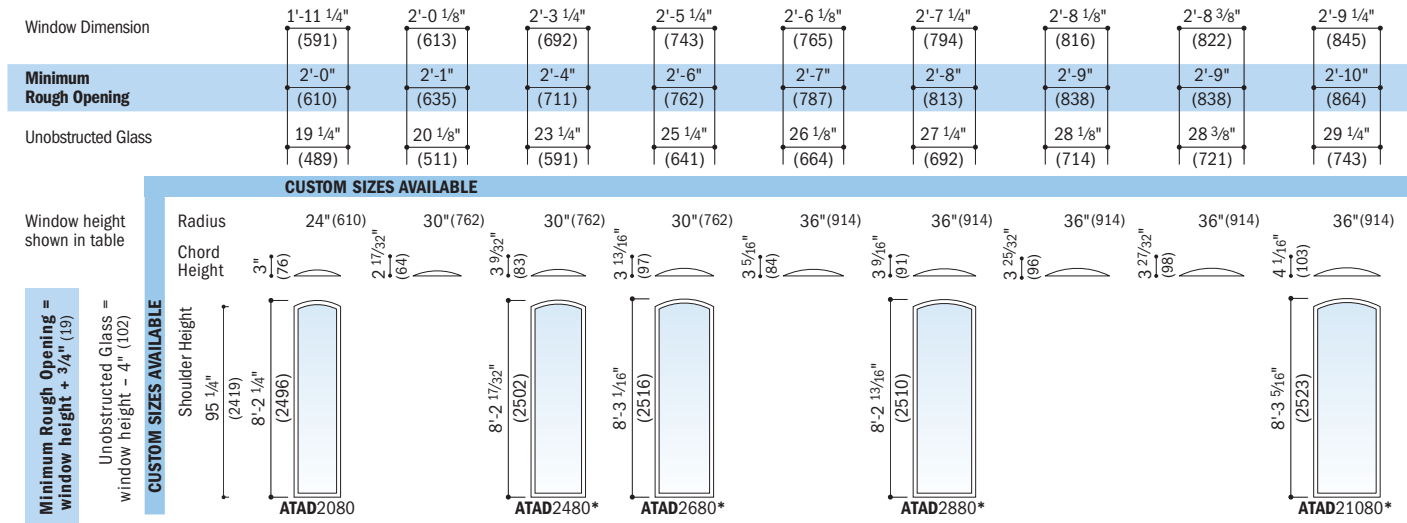


continued on next page

- "Window Dimension" always refers to outside frame to frame dimension.
- "Minimum Rough Opening" dimensions may need to be increased to allow for use of building wraps, flashing, sill panning, brackets, fasteners or other items. See page 217 for more details.
- Dimensions in parentheses are in millimeters.
- Tempered laminated glass required. Some visual distortion may occur.

**Table of Direct-Set Arch Window Sizes** (continued)

Scale 1/8" (3) = 1'-0" (305) – 1:96



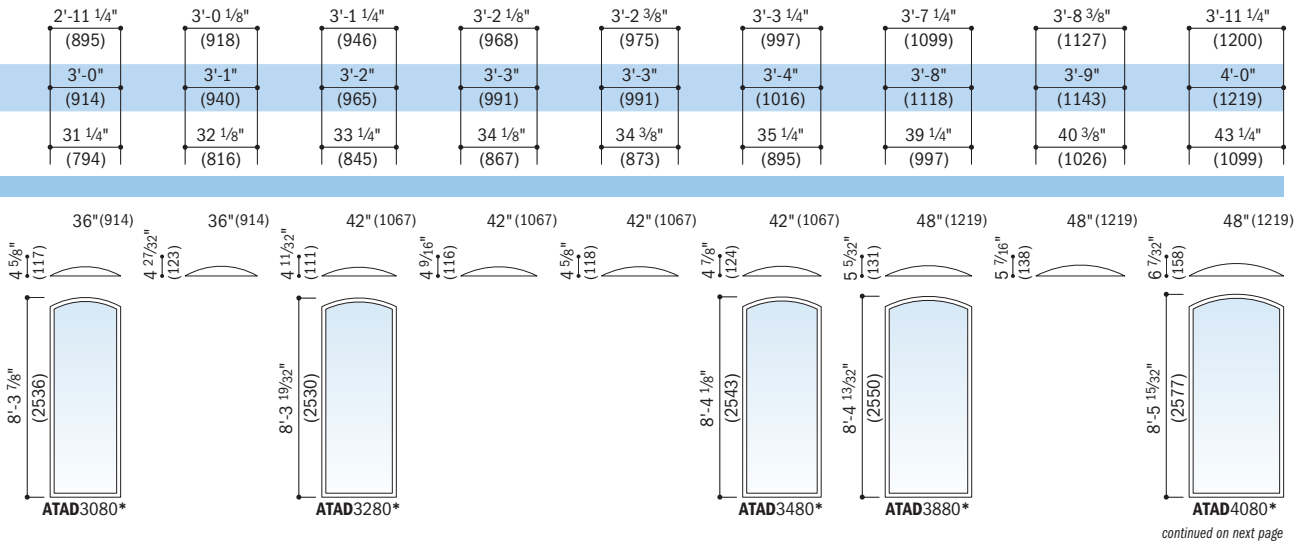
## Direct-Set Arch Window Area Specifications

Window Number	Glass Area Sq. Ft./ (m <sup>2</sup> )	Window Number	Glass Area Sq. Ft./ (m <sup>2</sup> )	Window Number	Glass Area Sq. Ft./ (m <sup>2</sup> )	Window Number	Glass Area Sq. Ft./ (m <sup>2</sup> )
ATAD2010	1.27 (0.12)	ATAD2464	11.90 (1.11)	ATAD2850	10.95 (1.02)	ATAD3020	4.91 (0.46)
ATAD2020	2.88 (0.27)	ATAD2468	12.54 (1.17)	ATAD2854	11.71 (1.09)	ATAD3024	5.78 (0.54)
ATAD2024	3.41 (0.32)	ATAD2474	13.84 (1.29)	ATAD2858	12.47 (1.16)	ATAD3028	6.65 (0.62)
ATAD2028	3.95 (0.37)	ATAD2480	15.13 (1.41)	ATAD2860	13.22 (1.23)	ATAD3030	7.51 (0.70)
ATAD2030	4.48 (0.42)	ATAD2610	1.77 (0.16)	ATAD2864	13.98 (1.30)	ATAD3034	8.38 (0.78)
ATAD2034	5.02 (0.47)	ATAD2620	3.87 (0.36)	ATAD2868	14.74 (1.37)	ATAD3038	9.25 (0.86)
ATAD2038	5.55 (0.52)	ATAD2624	4.57 (0.42)	ATAD2874	16.25 (1.51)	ATAD3040	10.12 (0.94)
ATAD2040	6.09 (0.57)	ATAD2628	5.27 (0.49)	ATAD2880	17.77 (1.65)	ATAD3044	10.99 (1.02)
ATAD2044	6.62 (0.62)	ATAD2630	5.98 (0.56)	ATAD2910	1.96 (0.18)	ATAD3048	11.85 (1.10)
ATAD2048	7.16 (0.67)	ATAD2634	6.68 (0.62)	ATAD2920	4.30 (0.40)	ATAD3050	12.72 (1.18)
ATAD2050	7.69 (0.71)	ATAD2638	7.38 (0.69)	ATAD2924	5.09 (0.47)	ATAD3054	13.59 (1.26)
ATAD2054	8.23 (0.76)	ATAD2640	8.08 (0.75)	ATAD2928	5.87 (0.55)	ATAD3058	14.46 (1.34)
ATAD2058	8.76 (0.81)	ATAD2644	8.78 (0.82)	ATAD2930	6.65 (0.62)	ATAD3060	15.33 (1.42)
ATAD2060	9.29 (0.86)	ATAD2648	9.48 (0.88)	ATAD2910G	1.99 (0.18)	ATAD3064	16.19 (1.50)
ATAD2064	9.83 (0.91)	ATAD2650	10.18 (0.95)	ATAD2920G	4.35 (0.40)	ATAD3068	17.06 (1.58)
ATAD2068	10.36 (0.96)	ATAD2654	10.88 (1.01)	ATAD2924G	5.14 (0.48)	ATAD3074	18.80 (1.75)
ATAD2074	11.43 (1.06)	ATAD2658	11.59 (1.08)	ATAD2928G	5.93 (0.55)	ATAD3080	20.53 (1.91)
ATAD2080	12.50 (1.16)	ATAD2660	12.29 (1.14)	ATAD2930G	6.72 (0.62)	ATAD3110	2.41 (0.22)
ATAD2110	1.28 (0.12)	ATAD2664	12.99 (1.21)	ATAD21010	2.08 (0.19)	ATAD3120	5.09 (0.47)
ATAD2120	2.96 (0.27)	ATAD2668	13.69 (1.27)	ATAD21020	4.52 (0.42)	ATAD3124	5.98 (0.56)
ATAD2124	3.52 (0.33)	ATAD2674	15.09 (1.40)	ATAD21024	5.33 (0.50)	ATAD3128	6.87 (0.64)
ATAD2128	4.08 (0.38)	ATAD2680	16.50 (1.53)	ATAD21028	6.14 (0.57)	ATAD3130	7.76 (0.72)
ATAD2130	4.64 (0.43)	ATAD2710	1.76 (0.16)	ATAD21030	6.95 (0.65)	ATAD3210	2.41 (0.22)
ATAD2410	1.57 (0.15)	ATAD2720	3.94 (0.37)	ATAD21034	7.77 (0.72)	ATAD3220	5.18 (0.48)
ATAD2420	3.50 (0.33)	ATAD2724	4.66 (0.43)	ATAD21038	8.58 (0.80)	ATAD3224	6.10 (0.57)
ATAD2424	4.15 (0.39)	ATAD2728	5.39 (0.50)	ATAD21040	9.39 (0.87)	ATAD3228	7.02 (0.65)
ATAD2428	4.79 (0.45)	ATAD2730	6.11 (0.57)	ATAD21044	10.20 (0.95)	ATAD3230	7.95 (0.74)
ATAD2430	5.44 (0.51)	ATAD2810	1.87 (0.17)	ATAD21048	11.02 (1.02)	ATAD3234	8.87 (0.82)
ATAD2434	6.09 (0.57)	ATAD2820	4.14 (0.38)	ATAD21050	11.83 (1.10)	ATAD3238	9.80 (0.91)
ATAD2438	6.73 (0.63)	ATAD2824	4.90 (0.46)	ATAD21054	12.64 (1.17)	ATAD3240	10.72 (1.00)
ATAD2440	7.38 (0.69)	ATAD2828	5.66 (0.53)	ATAD21058	13.45 (1.25)	ATAD3244	11.64 (1.08)
ATAD2444	8.02 (0.75)	ATAD2830	6.41 (0.60)	ATAD21060	14.27 (1.33)	ATAD3248	12.57 (1.17)
ATAD2448	8.67 (0.81)	ATAD2834	7.17 (0.67)	ATAD21064	15.08 (1.40)	ATAD3250	13.49 (1.25)
ATAD2450	9.32 (0.87)	ATAD2838	7.93 (0.74)	ATAD21068	15.89 (1.48)	ATAD3254	14.41 (1.34)
ATAD2454	9.96 (0.93)	ATAD2840	8.68 (0.81)	ATAD21074	17.52 (1.63)	ATAD3258	15.34 (1.43)
ATAD2458	10.61 (0.99)	ATAD2844	9.44 (0.88)	ATAD21080	19.14 (1.78)	ATAD3260	16.26 (1.51)
ATAD2460	11.25 (1.05)	ATAD2848	10.20 (0.95)	ATAD3010	2.31 (0.21)		

• Dimensions in parentheses are in square meters.

continued on next page

Notes on this page also apply to previous page. Arch sizes on pages 68-80.



continued on next page

**Direct-Set Arch Window Area Specifications** (continued)

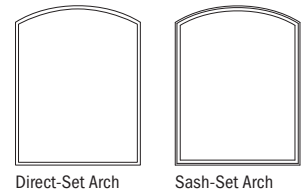
Window Number	Glass Area Sq. Ft./ (m <sup>2</sup> )	Window Number	Glass Area Sq. Ft./ (m <sup>2</sup> )	Window Number	Glass Area Sq. Ft./ (m <sup>2</sup> )
ATAD3264	17.18 (1.60)	ATAD3834	10.62 (0.99)	ATAD4320	7.47 (0.69)
ATAD3268	18.11 (1.68)	ATAD3838	11.71 (1.09)	ATAD4324	8.76 (0.81)
ATAD3274	19.95 (1.85)	ATAD3840	12.80 (1.19)	ATAD4328	10.05 (0.93)
ATAD3280	21.80 (2.03)	ATAD3844	13.89 (1.29)	ATAD4330	11.34 (1.05)
ATAD3310	2.51 (0.23)	ATAD3848	14.98 (1.39)	ATAD4410	3.72 (0.35)
ATAD3320	5.35 (0.50)	ATAD3850	16.07 (1.49)	ATAD4420	7.66 (0.71)
ATAD3324	6.30 (0.59)	ATAD3854	17.16 (1.59)	ATAD4424	8.97 (0.83)
ATAD3328	7.25 (0.67)	ATAD3858	18.25 (1.70)	ATAD4428	10.29 (0.96)
ATAD3330	8.19 (0.76)	ATAD3860	19.34 (1.80)	ATAD4430	11.60 (1.08)
ATAD3310G	2.54 (0.24)	ATAD3864	20.43 (1.90)	ATAD4434	12.91 (1.20)
ATAD3320G	5.40 (0.50)	ATAD3868	21.52 (2.00)	ATAD4438	14.22 (1.32)
ATAD3324G	6.35 (0.59)	ATAD3874	23.70 (2.20)	ATAD4440	15.54 (1.44)
ATAD3328G	7.31 (0.68)	ATAD3880	25.88 (2.40)	ATAD4444	16.85 (1.57)
ATAD3330G	8.26 (0.77)	ATAD3910	3.13 (0.29)	ATAD4448	18.16 (1.69)
ATAD3410	2.64 (0.25)	ATAD3920	6.49 (0.60)	ATAD4450	19.47 (1.81)
ATAD3420	5.58 (0.52)	ATAD3924	7.62 (0.71)	ATAD4454	20.79 (1.93)
ATAD3424	6.56 (0.61)	ATAD3928	8.74 (0.81)	ATAD4458	22.10 (2.05)
ATAD3428	7.54 (0.70)	ATAD3930	9.86 (0.92)	ATAD4460	23.41 (2.17)
ATAD3430	8.51 (0.79)	ATAD4010	3.52 (0.33)	ATAD4464	24.72 (2.30)
ATAD3434	9.49 (0.88)	ATAD4020	7.12 (0.66)	ATAD4468	26.04 (2.42)
ATAD3438	10.47 (0.97)	ATAD4024	8.32 (0.77)	ATAD4474	28.66 (2.66)
ATAD3440	11.45 (1.06)	ATAD4028	9.52 (0.88)	ATAD4480	31.29 (2.91)
ATAD3444	12.43 (1.15)	ATAD4030	10.73 (1.00)	ATAD4810	4.29 (0.40)
ATAD3448	13.41 (1.25)	ATAD4034	11.93 (1.11)	ATAD4820	8.56 (0.80)
ATAD3450	14.39 (1.34)	ATAD4038	13.13 (1.22)	ATAD4824	9.98 (0.93)
ATAD3454	15.37 (1.43)	ATAD4040	14.33 (1.33)	ATAD4828	11.40 (1.06)
ATAD3458	16.35 (1.52)	ATAD4044	15.53 (1.44)	ATAD4830	12.83 (1.19)
ATAD3460	17.33 (1.61)	ATAD4048	16.73 (1.55)	ATAD4834	14.25 (1.32)
ATAD3464	18.31 (1.70)	ATAD4050	17.93 (1.67)	ATAD4838	15.67 (1.46)
ATAD3468	19.29 (1.79)	ATAD4054	19.14 (1.78)	ATAD4840	17.10 (1.59)
ATAD3474	21.24 (1.97)	ATAD4058	20.34 (1.89)	ATAD4844	18.52 (1.72)
ATAD3480	23.20 (2.16)	ATAD4060	21.54 (2.00)	ATAD4848	19.95 (1.85)
ATAD3810	2.99 (0.28)	ATAD4064	22.74 (2.11)	ATAD4850	21.37 (1.99)
ATAD3820	6.26 (0.58)	ATAD4068	23.94 (2.22)	ATAD4854	22.79 (2.12)
ATAD3824	7.35 (0.68)	ATAD4074	26.34 (2.45)	ATAD4858	24.22 (2.25)
ATAD3828	8.44 (0.78)	ATAD4080	28.75 (2.67)	ATAD4860	25.64 (2.38)
ATAD3830	9.53 (0.89)	ATAD4310	3.61 (0.34)		

\* Dimensions in parentheses are in square meters.

continued on page 77



Custom-size windows are available in 1/8" (3) increments. Contact your Andersen supplier for more information.



**Direct-set (ATAD) window sizes shown.** Use window dimensions and rough opening formula shown for sash-set (ATA) window sizes. For sash-set unobstructed glass dimensions see page 78.

Details on page 93. Grille patterns shown on page 89.

- "Window Dimension" always refers to outside frame to frame dimension.
- "Minimum Rough Opening" dimensions may need to be increased to allow for use of building wraps, flashing, sill panning, brackets, fasteners or other items. See page 217 for more details.
- Dimensions in parentheses are in millimeters.
- \*Tempered laminated glass required. Some visual distortion may occur.

**Table of Direct-Set Arch Window Sizes** (continued)

Scale 1/8" (3) = 1'-0" (305) – 1:96

Window Dimension	4'-3 1/4" (1302)	4'-7 1/4" (1403)	4'-11 1/4" (1505)	5'-3 1/4" (1607)	5'-7 1/4" (1708)	5'-11 1/4" (1810)
<b>Minimum Rough Opening</b>	4'-4" (1321)	4'-8" (1422)	5'-0" (1524)	5'-4" (1626)	5'-8" (1727)	6'-0" (1829)
Unobstructed Glass	47 1/4" (1200)	51 1/4" (1302)	55 1/4" (1403)	59 1/4" (1505)	63 1/4" (1607)	67 1/4" (1708)

**CUSTOM SIZES AVAILABLE**

**Minimum Rough Opening = window height + 3/4" (19)**

Unobstructed Glass = window height - 4" (102)

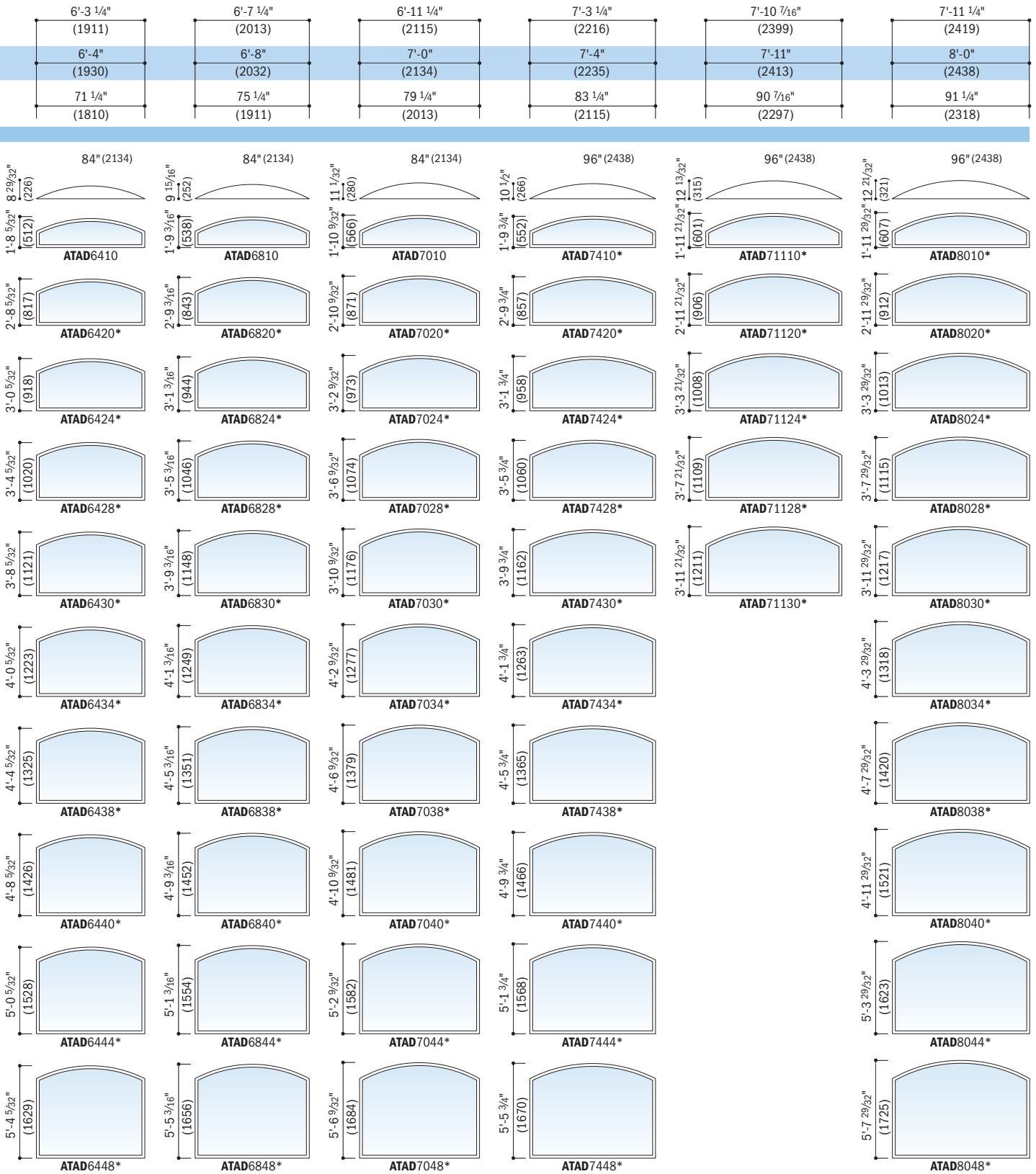
**CUSTOM SIZES AVAILABLE**

Window height shown in table	Radius	60" (1524)	60" (1524)	60" (1524)	72" (1829)	72" (1829)	72" (1829)
	Chord Height	5 3/4" (146)	6 3/4" (171)	7 13/16" (199)	7 5/16" (186)	8 11/32" (212)	8 11/16" (240)
	Shoulder Height	11 1/4" (286) 1'-5" (432)	1'-6" (457)	1'-7 1/16" (484)	1'-6 9/16" (472)	1'-7 19/32" (497)	1'-8 11/16" (525)
		ATAD4410	ATAD4810	ATAD5010	ATAD5410	ATAD5810	ATAD6010
		23 1/4" (591) 2'-5" (737)	2'-6" (762)	2'-7 1/16" (789)	2'-6 9/16" (776)	2'-7 19/32" (802)	2'-8 11/16" (830)
		ATAD4420	ATAD4820	ATAD5020	ATAD5420	ATAD5820	ATAD6020*
		27 1/4" (692) 2'-9" (838)	2'-10" (863)	2'-11 1/16" (891)	2'-10 9/16" (878)	2'-11 19/32" (904)	3'-0 11/16" (932)
		ATAD4424	ATAD4824	ATAD5024	ATAD5424*	ATAD5824*	ATAD6024*
		31 1/4" (794) 3'-1" (940)	3'-2" (965)	3'-3 1/16" (992)	3'-2 9/16" (980)	3'-3 19/32" (1005)	3'-4 11/16" (1033)
		ATAD4428	ATAD4828	ATAD5028*	ATAD5428*	ATAD5828*	ATAD6028*
		35 1/4" (895) 3'-5" (1041)	3'-6" (1066)	3'-7 1/16" (1094)	3'-6 9/16" (1081)	3'-7 19/32" (1107)	3'-8 11/16" (1135)
		ATAD4430	ATAD4830*	ATAD5030*	ATAD5430*	ATAD5830*	ATAD6030*
		39 1/4" (997) 3'-9" (1143)	3'-10" (1168)	3'-11 1/16" (1196)	3'-10 9/16" (1183)	3'-11 19/32" (1209)	4'-0 11/16" (1237)
		ATAD4434*	ATAD4834*	ATAD5034*	ATAD5434*	ATAD5834*	ATAD6034*
		43 1/4" (1099) 4'-1" (1245)	4'-2" (1270)	4'-3 1/16" (1297)	4'-2 9/16" (1284)	4'-3 19/32" (1310)	4'-4 11/16" (1338)
		ATAD4438*	ATAD4838*	ATAD5038*	ATAD5438*	ATAD5838*	ATAD6038*
		47 1/4" (1200) 4'-5" (1346)	4'-6" (1371)	4'-7 1/16" (1399)	4'-6 9/16" (1386)	4'-7 19/32" (1412)	4'-8 11/16" (1440)
		ATAD4440*	ATAD4840*	ATAD5040*	ATAD5440*	ATAD5840*	ATAD6040*
		51 1/4" (1302) 4'-9" (1448)	4'-10" (1473)	4'-11 1/16" (1500)	4'-10 9/16" (1488)	4'-11 19/32" (1513)	5'-0 11/16" (1541)
		ATAD4444*	ATAD4844*	ATAD5044*	ATAD5444*	ATAD5844*	ATAD6044*
		55 1/4" (1403) 5'-1" (1549)	5'-2" (1574)	5'-3 1/16" (1602)	5'-2 9/16" (1589)	5'-3 19/32" (1615)	5'-4 11/16" (1643)
		ATAD4448*	ATAD4848*	ATAD5048*	ATAD5448*	ATAD5848*	ATAD6048*

• "Window Dimension" always refers to outside frame to frame dimension.  
 • "Minimum Rough Opening" dimensions may need to be increased to allow for use of building wraps, flashing, sill panning, brackets, fasteners or other items. See page 217 for more details.  
 • Dimensions in parentheses are in millimeters.  
 • Tempered laminated glass required. Some visual distortion may occur.



Notes on page 77 also apply to this page. Arch sizes on pages 68-80.



continued on next page

- "Window Dimension" always refers to outside frame to frame dimension.
- "Minimum Rough Opening" dimensions may need to be increased to allow for use of building wraps, flashing, sill panning, brackets, fasteners or other items. See page 217 for more details.
- Dimensions in parentheses are in millimeters.
- Tempered laminated glass required. Some visual distortion may occur.

**Table of Direct-Set Arch Window Sizes** (continued)

Scale 1/8" (3) = 1'-0" (305) – 1:96

Window Dimension	4'-3 1/4" (1302)	4'-7 1/4" (1403)	4'-11 1/4" (1505)	5'-3 1/4" (1607)	5'-7 1/4" (1708)	5'-11 1/4" (1810)
<b>Minimum Rough Opening</b>	4'-4" (1321)	4'-8" (1422)	5'-0" (1524)	5'-4" (1626)	5'-8" (1727)	6'-0" (1829)
Unobstructed Glass	47 1/4" (1200)	51 1/4" (1302)	55 1/4" (1403)	59 1/4" (1505)	63 1/4" (1607)	67 1/4" (1708)

**CUSTOM SIZES AVAILABLE**

**Minimum Rough Opening = window height + 3/4" (19)**

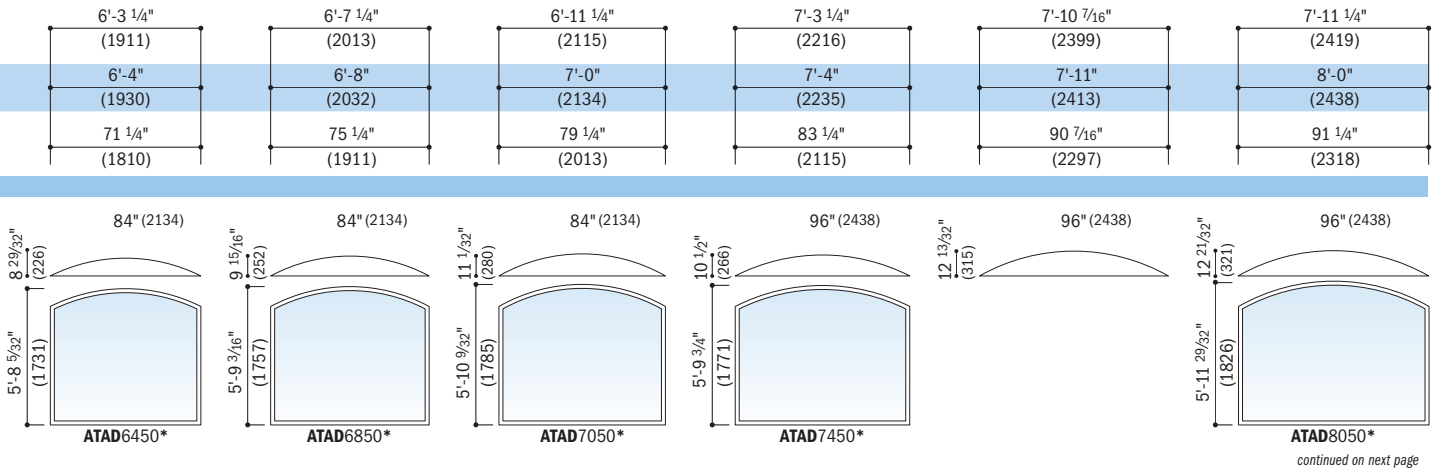
Unobstructed Glass = window height - 4" (102)

**CUSTOM SIZES AVAILABLE**

Window height shown in table	Radius	60" (1524)	60" (1524)	60" (1524)	72" (1829)	72" (1829)	72" (1829)
Chord Height		5 3/4" (146)	6 3/4" (171)	7 13/16" (199)	7 5/16" (186)	8 11/32" (212)	9 7/16" (240)
Shoulder Height		59 1/4" (1505) 5'-5"	5'-6" (1676)	5'-7 1/16" (1704)	5'-6 9/16" (1691)	5'-7 19/32" (1717)	5'-8 11/16" (1745)
		ATAD4450*	ATAD4850*	ATAD5050*	ATAD5450*	ATAD5850*	ATAD6050*
		63 1/4" (1607) 5'-9"	5'-10" (1778)	5'-11 1/16" (1805)	5'-10 9/16" (1792)	5'-11 19/32" (1818)	6'-0 11/16" (1846)
		ATAD4454*	ATAD4854*	ATAD5054*	ATAD5454*	ATAD5854*	ATAD6054*
		67 1/4" (1708) 6'-1"	6'-2" (1879)	6'-3 1/16" (1907)	6'-2 9/16" (1894)	6'-3 19/32" (1920)	6'-4 11/16" (1948)
		ATAD4458*	ATAD4858*	ATAD5058*	ATAD5458*	ATAD5858*	ATAD6058*
		71 1/4" (1810) 6'-5"	6'-6" (1981)	6'-7 1/16" (2008)	6'-6 9/16" (1996)	6'-7 19/32" (2021)	6'-8 11/16" (2049)
		ATAD4460*	ATAD4860*	ATAD5060*	ATAD5460*	ATAD5860*	ATAD6060*
		75 1/4" (1911) 6'-9"	6'-10" (2082)	6'-11 1/16" (2110)	6'-10 9/16" (2097)	6'-11 19/32" (2123)	7'-0 11/16" (2151)
		ATAD4464*	ATAD4864*	ATAD5064*	ATAD5464*	ATAD5864*	ATAD6064*
		79 1/4" (2013) 7'-1"	7'-2" (2184)	7'-3 1/16" (2212)	7'-2 9/16" (2199)	7'-3 19/32" (2225)	7'-4 11/16" (2253)
		ATAD4468*	ATAD4868*	ATAD5068*	ATAD5468*	ATAD5868*	ATAD6068*
		87 1/4" (2216) 7'-9"	7'-10" (2387)	7'-11 1/16" (2415)	7'-10 9/16" (2402)	7'-11 19/32" (2428)	8'-0 11/16" (2456)
		ATAD4474*	ATAD4874*	ATAD5074*	ATAD5474*	ATAD5874*	ATAD6074*

\* "Window Dimension" always refers to outside frame to frame dimension.  
 • "Minimum Rough Opening" dimensions may need to be increased to allow for use of building wraps, flashing, sill panning, brackets, fasteners or other items. See page 217 for more details.  
 • Dimensions in parentheses are in millimeters.  
 \*Tempered laminated glass required. Some visual distortion may occur.

Notes on this page also apply to previous page. Arch sizes on pages 68-80.



continued on next page

**Direct-Set Arch Window Area Specifications** (continued)

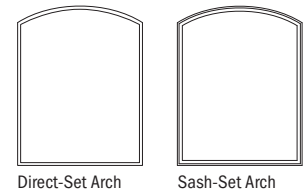
Window Number	Glass Area Sq. Ft./ (m <sup>2</sup> )	Window Number	Glass Area Sq. Ft./ (m <sup>2</sup> )	Window Number	Glass Area Sq. Ft./ (m <sup>2</sup> )
ATAD4864	27.06 (2.51)	ATAD5810	5.76 (0.54)	ATAD6434	20.53 (1.91)
ATAD4868	28.49 (2.65)	ATAD5820	11.04 (1.03)	ATAD6438	22.51 (2.09)
ATAD4874	31.33 (2.91)	ATAD5824	12.79 (1.19)	ATAD6440	24.49 (2.28)
ATAD4880	34.18 (3.18)	ATAD5828	14.55 (1.35)	ATAD6444	26.47 (2.46)
ATAD5010	4.91 (0.46)	ATAD5830	16.31 (1.52)	ATAD6448	28.45 (2.64)
ATAD5020	9.52 (0.88)	ATAD5834	18.06 (1.68)	ATAD6450	30.42 (2.83)
ATAD5024	11.05 (1.03)	ATAD5838	19.82 (1.84)	ATAD6810	7.42 (0.69)
ATAD5028	12.58 (1.17)	ATAD5840	21.58 (2.00)	ATAD6820	13.70 (1.27)
ATAD5030	14.12 (1.31)	ATAD5844	23.33 (2.17)	ATAD6824	15.79 (1.47)
ATAD5034	15.65 (1.45)	ATAD5848	25.09 (2.33)	ATAD6828	17.88 (1.66)
ATAD5038	17.19 (1.60)	ATAD5850	26.85 (2.49)	ATAD6830	19.97 (1.86)
ATAD5040	18.72 (1.74)	ATAD5854	28.60 (2.66)	ATAD6834	22.06 (2.05)
ATAD5044	20.26 (1.88)	ATAD5858	30.36 (2.82)	ATAD6838	24.15 (2.24)
ATAD5048	21.79 (2.02)	ATAD5860	32.12 (2.98)	ATAD6840	26.24 (2.44)
ATAD5050	23.33 (2.17)	ATAD5864	33.88 (3.15)	ATAD6844	28.33 (2.63)
ATAD5054	24.86 (2.31)	ATAD5868	35.63 (3.31)	ATAD6848	30.42 (2.83)
ATAD5058	26.40 (2.45)	ATAD5874	39.15 (3.64)	ATAD6850	32.51 (3.02)
ATAD5060	27.93 (2.59)	ATAD5880	42.66 (3.96)	ATAD7010	8.24 (0.77)
ATAD5064	29.47 (2.74)	ATAD6010	6.49 (0.60)	ATAD7020	14.85 (1.38)
ATAD5068	31.00 (2.88)	ATAD6020	12.09 (1.12)	ATAD7024	17.05 (1.58)
ATAD5074	34.07 (3.17)	ATAD6024	13.96 (1.30)	ATAD7028	19.25 (1.79)
ATAD5080	37.14 (3.45)	ATAD6028	15.83 (1.47)	ATAD7030	21.45 (1.99)
ATAD5410	5.11 (0.47)	ATAD6030	17.69 (1.64)	ATAD7034	23.65 (2.20)
ATAD5420	10.05 (0.93)	ATAD6034	19.56 (1.82)	ATAD7038	25.85 (2.40)
ATAD5424	11.69 (1.09)	ATAD6038	21.43 (1.99)	ATAD7040	28.05 (2.61)
ATAD5428	13.34 (1.24)	ATAD6040	23.30 (2.16)	ATAD7044	30.26 (2.81)
ATAD5430	14.98 (1.39)	ATAD6044	25.17 (2.34)	ATAD7048	32.46 (3.02)
ATAD5434	16.63 (1.54)	ATAD6048	27.03 (2.51)	ATAD7050	34.66 (3.22)
ATAD5438	18.28 (1.70)	ATAD6050	28.90 (2.68)	ATAD7410	8.42 (0.78)
ATAD5440	19.92 (1.85)	ATAD6054	30.77 (2.86)	ATAD7420	15.36 (1.43)
ATAD5444	21.57 (2.00)	ATAD6058	32.64 (3.03)	ATAD7424	17.67 (1.64)
ATAD5448	23.21 (2.16)	ATAD6060	34.51 (3.21)	ATAD7428	19.98 (1.86)
ATAD5450	24.86 (2.31)	ATAD6064	36.37 (3.38)	ATAD7430	22.30 (2.07)
ATAD5454	26.51 (2.46)	ATAD6068	38.24 (3.55)	ATAD7434	24.61 (2.29)
ATAD5458	28.15 (2.62)	ATAD6074	41.98 (3.90)	ATAD7438	26.92 (2.50)
ATAD5460	29.80 (2.77)	ATAD6410	6.67 (0.62)	ATAD7440	29.23 (2.72)
ATAD5464	31.44 (2.92)	ATAD6420	12.61 (1.17)	ATAD7444	31.55 (2.93)
ATAD5468	33.09 (3.07)	ATAD6424	14.59 (1.36)	ATAD7448	33.86 (3.15)
ATAD5474	36.38 (3.38)	ATAD6428	16.57 (1.54)	ATAD7450	36.17 (3.36)
ATAD5480	39.67 (3.69)	ATAD6430	18.55 (1.72)		

• Dimensions in parentheses are in square meters.

continued on next page



Custom-size windows are available in 1/8" (3) increments. Contact your Andersen supplier for more information.



**Direct-set (ATAD) window sizes shown.** Use window dimensions and rough opening formula shown for sash-set (ATA) window sizes. For sash-set unobstructed glass dimensions see page 78.

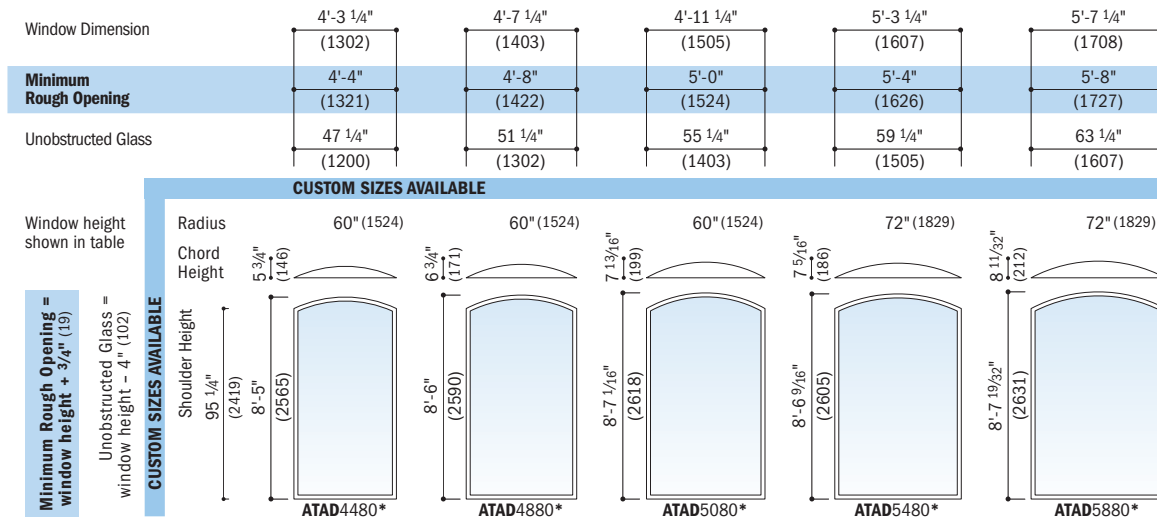
Details on page 93. Grille patterns shown on page 89.

- "Window Dimension" always refers to outside frame to frame dimension.
- "Minimum Rough Opening" dimensions may need to be increased to allow for use of building wraps, flashing, sill panning, brackets, fasteners or other items. See page 217 for more details.
- Dimensions in parentheses are in millimeters.
- Tempered laminated glass required. Some visual distortion may occur.

**Table of Direct-Set Arch Window Sizes** (continued)

Notes on page 77 also apply to this page. Arch sizes on pages 68-80.

Scale 1/8" (3) = 1'-0" (305) – 1:96



- "Window Dimension" always refers to outside frame to frame dimension.
- "Minimum Rough Opening" dimensions may need to be increased to allow for use of building wraps, flashing, sill panning, brackets, fasteners or other items. See page 217 for more details.
- Dimensions in parentheses are in millimeters.
- \*Tempered laminated glass required. Some visual distortion may occur.

## Direct-Set Arch Window Area Specifications

Window Number	Glass Area Sq. Ft./ (m <sup>2</sup> )	Window Number	Glass Area Sq. Ft./ (m <sup>2</sup> )	Window Number	Glass Area Sq. Ft./ (m <sup>2</sup> )	Window Number	Glass Area Sq. Ft./ (m <sup>2</sup> )
ATAD71110	9.99 (0.93)	ATAD8040	32.99 (3.06)	ATAD8844	38.15 (3.54)	ATAD9434	33.31 (3.09)
ATAD71120	17.52 (1.63)	ATAD8044	35.53 (3.30)	ATAD8848	40.90 (3.80)	ATAD9438	36.29 (3.37)
ATAD71124	20.04 (1.86)	ATAD8048	38.06 (3.54)	ATAD81110	11.30 (1.05)	ATAD9440	39.27 (3.65)
ATAD71128	22.55 (2.09)	ATAD8050	40.60 (3.77)	ATAD81120	19.83 (1.84)	ATAD10010	14.60 (1.36)
ATAD71130	25.06 (2.33)	ATAD8810	10.58 (0.98)	ATAD81124	22.68 (2.11)	ATAD10020	24.20 (2.25)
ATAD8010	10.18 (0.95)	ATAD8820	18.85 (1.75)	ATAD81128	25.52 (2.37)	ATAD10024	27.40 (2.55)
ATAD8020	17.78 (1.65)	ATAD8824	21.60 (2.01)	ATAD81130	28.37 (2.64)	ATAD10028	30.60 (2.84)
ATAD8024	20.32 (1.89)	ATAD8828	24.36 (2.26)	ATAD9410	12.46 (1.16)	ATAD10030	33.80 (3.14)
ATAD8028	22.85 (2.12)	ATAD8830	27.12 (2.52)	ATAD9420	21.39 (1.99)	ATAD10034	37.01 (3.44)
ATAD8030	25.39 (2.36)	ATAD8834	29.87 (2.78)	ATAD9424	24.37 (2.26)	ATAD10038	40.21 (3.74)
ATAD8034	27.92 (2.59)	ATAD8838	32.63 (3.03)	ATAD9428	27.35 (2.54)		
ATAD8038	30.46 (2.83)	ATAD8840	35.39 (3.29)	ATAD9430	30.33 (2.82)		

• Dimensions in parentheses are in square meters.

## Sash-Set Arch Window Unobstructed Glass Dimensions and Area Specifications

Window Number	Unobstructed Glass Width Inches/(mm)	Unobstructed Glass Height Inches/(mm)	Glass Area Sq. Ft./ (m <sup>2</sup> )	Window Number	Unobstructed Glass Width Inches/(mm)	Unobstructed Glass Height Inches/(mm)	Glass Area Sq. Ft./ (m <sup>2</sup> )	Window Number	Unobstructed Glass Width Inches/(mm)	Unobstructed Glass Height Inches/(mm)	Glass Area Sq. Ft./ (m <sup>2</sup> )
ATA2010	16 5/8" (422)	7 7/8" (194)	0.81 (0.08)	ATA2128	17 1/2" (445)	27 1/8" (689)	3.23 (0.30)	ATA2620	22 5/8" (575)	20 3/8" (518)	3.07 (0.29)
ATA2020	16 5/8" (422)	19 5/8" (498)	2.19 (0.20)	ATA2130	17 1/2" (445)	31 1/8" (791)	3.72 (0.35)	ATA2624	22 5/8" (575)	24 3/8" (619)	3.70 (0.34)
ATA2024	16 5/8" (422)	23 5/8" (600)	2.65 (0.25)	ATA2410	20 5/8" (524)	7 7/8" (200)	1.03 (0.10)	ATA2628	22 5/8" (575)	28 3/8" (721)	4.33 (0.40)
ATA2028	16 5/8" (422)	27 5/8" (702)	3.11 (0.29)	ATA2420	20 5/8" (524)	19 7/8" (505)	2.74 (0.25)	ATA2630	22 5/8" (575)	32 3/8" (822)	4.95 (0.46)
ATA2030	16 5/8" (422)	31 5/8" (803)	3.58 (0.33)	ATA2424	20 5/8" (524)	23 7/8" (606)	3.32 (0.31)	ATA2634	22 5/8" (575)	36 3/8" (924)	5.58 (0.52)
ATA2034	16 5/8" (422)	35 5/8" (905)	4.04 (0.38)	ATA2428	20 5/8" (524)	27 7/8" (708)	3.89 (0.36)	ATA2638	22 5/8" (575)	40 3/8" (1026)	6.21 (0.58)
ATA2038	16 5/8" (422)	39 5/8" (1006)	4.50 (0.42)	ATA2430	20 5/8" (524)	31 1/8" (810)	4.46 (0.41)	ATA2640	22 5/8" (575)	44 3/8" (1127)	6.84 (0.64)
ATA2040	16 5/8" (422)	43 5/8" (1108)	4.96 (0.46)	ATA2434	20 5/8" (524)	35 1/8" (911)	5.03 (0.47)	ATA2644	22 5/8" (575)	48 3/8" (1229)	7.47 (0.69)
ATA2044	16 5/8" (422)	47 5/8" (1210)	5.42 (0.50)	ATA2438	20 5/8" (524)	39 1/8" (1013)	5.60 (0.52)	ATA2648	22 5/8" (575)	52 3/8" (1330)	8.09 (0.75)
ATA2048	16 5/8" (422)	51 5/8" (1311)	5.88 (0.55)	ATA2440	20 5/8" (524)	43 1/8" (1114)	6.18 (0.57)	ATA2650	22 5/8" (575)	56 3/8" (1432)	8.72 (0.81)
ATA2050	16 5/8" (422)	55 5/8" (1413)	6.34 (0.59)	ATA2444	20 5/8" (524)	47 1/8" (1216)	6.75 (0.63)	ATA2654	22 5/8" (575)	60 3/8" (1534)	9.35 (0.87)
ATA2054	16 5/8" (422)	59 5/8" (1514)	6.80 (0.63)	ATA2448	20 5/8" (524)	51 1/8" (1318)	7.32 (0.68)	ATA2658	22 5/8" (575)	64 3/8" (1635)	9.98 (0.93)
ATA2058	16 5/8" (422)	63 5/8" (1616)	7.26 (0.67)	ATA2450	20 5/8" (524)	55 1/8" (1419)	7.89 (0.73)	ATA2660	22 5/8" (575)	68 3/8" (1737)	10.60 (0.99)
ATA2060	16 5/8" (422)	67 5/8" (1718)	7.72 (0.72)	ATA2454	20 5/8" (524)	59 1/8" (1521)	8.46 (0.79)	ATA2664	22 5/8" (575)	72 3/8" (1838)	11.23 (1.04)
ATA2064	16 5/8" (422)	71 5/8" (1819)	8.18 (0.76)	ATA2458	20 5/8" (524)	63 1/8" (1622)	9.04 (0.84)	ATA2668	22 5/8" (575)	76 3/8" (1940)	11.86 (1.10)
ATA2068	16 5/8" (422)	75 5/8" (1921)	8.65 (0.80)	ATA2460	20 5/8" (524)	67 1/8" (1724)	9.61 (0.89)	ATA2674	22 5/8" (575)	84 3/8" (2143)	13.11 (1.22)
ATA2074	16 5/8" (422)	83 5/8" (2124)	9.57 (0.89)	ATA2464	20 5/8" (524)	71 1/8" (1826)	10.18 (0.95)	ATA2680	22 5/8" (575)	92 3/8" (2346)	14.37 (1.34)
ATA2080	16 5/8" (422)	91 5/8" (2327)	10.49 (0.97)	ATA2468	20 5/8" (524)	75 1/8" (1927)	10.75 (1.01)	ATA2710	23 1/2" (597)	7 7/8" (200)	1.17 (0.11)
ATA2110	17 1/2" (445)	7 1/8" (181)	0.81 (0.08)	ATA2474	20 5/8" (524)	83 3/8" (2130)	11.90 (1.10)	ATA2720	23 1/2" (597)	19 7/8" (505)	3.13 (0.29)
ATA2120	17 1/2" (445)	19 1/8" (486)	2.26 (0.21)	ATA2480	20 5/8" (524)	91 1/8" (2334)	13.04 (1.21)				
ATA2124	17 1/2" (445)	23 1/8" (587)	2.75 (0.26)	ATA2610	22 5/8" (575)	8 3/8" (213)	1.19 (0.11)				

• Dimensions in parentheses are in millimeters or square meters.

continued on next page





**Table of Direct-Set Arch Window Sizes** (continued)

Scale 1/8" (3) = 1'-0" (305) – 1:96

Notes on page 77 also apply to this page. Arch sizes on pages 68-80.

Window Dimension	8'-7 1/4" (2623)	8'-10 7/16" (2704)	9'-3 1/4" (2826)	9'-11 1/4" (3029)
<b>Minimum Rough Opening</b>	8'-8" (2642)	8'-11" (2718)	9'-4" (2845)	10'-0" (3048)
Unobstructed Glass	99 1/4" (2521)	102 7/16" (2602)	107 1/4" (2724)	115 1/4" (2927)

		CUSTOM SIZES AVAILABLE			
Window height shown in table	Radius	120" (3048)	120" (3048)	120" (3048)	120" (3048)
<b>Minimum Rough Opening = window height + 3/4" (19)</b>  Unobstructed Glass = window height - 4" (102)	Chord Height	11 11/16" (296)	12 7/16" (316)	13 21/32" (347)	15 7/8" (403)
	Shoulder Height	11 1/4" (286)	11 11/16" (602)	2'-0 29/32" (633)	2'-3 1/8" (689)
		ATAD8810*	ATAD81110*	ATAD9410*	ATAD10010*
		23 1/4" (591)	2'-11 11/16" (907)	3'-0 29/32" (938)	3'-3 1/8" (993)
		ATAD8820*	ATAD81120*	ATAD9420*	ATAD10020*
		27 1/4" (692)	3'-3 11/16" (1008)	3'-4 29/32" (1039)	3'-7 1/8" (1095)
		ATAD8824*	ATAD81124*	ATAD9424*	ATAD10024*
		31 1/4" (794)	3'-7 11/16" (1110)	3'-8 29/32" (1141)	3'-11 1/8" (1197)
		ATAD8828*	ATAD81128*	ATAD9428*	ATAD10028*
		35 1/4" (895)	3'-11 11/16" (1211)	4'-0 29/32" (1243)	4'-3 1/8" (1298)
		ATAD8830*	ATAD81130*	ATAD9430*	ATAD10030*
		39 1/4" (997)	4'-4 29/32" (1344)	4'-4 29/32" (1344)	4'-7 1/8" (1400)
		ATAD8834*	ATAD9434*	ATAD10034*	
	43 1/4" (1099)	4'-8 29/32" (1446)	4'-8 29/32" (1446)	4'-11 1/8" (1501)	
	ATAD8838*	ATAD9438*	ATAD10038*		
	47 1/4" (1200)	5'-0 29/32" (1547)	5'-0 29/32" (1547)		
	ATAD8840*	ATAD9440*			
	51 1/4" (1302)				
	ATAD8844*				
	55 1/4" (1403)				
	ATAD8848*				

• "Window Dimension" always refers to outside frame to frame dimension.  
 • "Minimum Rough Opening" dimensions may need to be increased to allow for use of building wraps, flashing, sill panning, brackets, fasteners or other items. See page 217 for more details.  
 • Dimensions in parentheses are in millimeters.  
 • Tempered laminated glass required. Some visual distortion may occur.



## Table of Direct-Set Springline™ Window Sizes

Scale 1/8" (3) = 1'-0" (305) – 1:96

Window Width Dimension	1'-7 1/4" (489)	1'-11 1/4" (591)	2'-3 1/4" (692)	2'-5 1/4" (743)	2'-7 1/4" (794)	2'-9 1/4" (845)	2'-11 1/4" (895)	3'-1 1/4" (946)	3'-3 1/4" (997)
<b>Minimum Rough Opening</b>	1'-8" (508)	2'-0" (610)	2'-4" (711)	2'-6" (762)	2'-8" (813)	2'-10" (864)	3'-0" (914)	3'-2" (965)	3'-4" (1016)
Unobstructed Glass	15 1/4" (387)	19 1/4" (489)	23 1/4" (591)	25 1/4" (641)	27 1/4" (692)	29 1/4" (743)	31 1/4" (794)	33 1/4" (845)	35 1/4" (895)

### CUSTOM SIZES AVAILABLE

Window height shown in table

Radius	9 5/8" (244)	11 5/8" (295)	13 5/8" (346)	14 5/8" (371)	15 5/8" (397)	16 5/8" (422)	17 5/8" (448)	18 5/8" (473)	19 5/8" (498)
--------	--------------	---------------	---------------	---------------	---------------	---------------	---------------	---------------	---------------

Chord Height	9 5/8" (244)	11 5/8" (295)	13 5/8" (346)	14 5/8" (371)	15 5/8" (397)	16 5/8" (422)	17 5/8" (448)	18 5/8" (473)	19 5/8" (498)
--------------	--------------	---------------	---------------	---------------	---------------	---------------	---------------	---------------	---------------

Shoulder Height	6 1/4" (159)	1'-3 7/8" (403)	1'-5 7/8" (454)	1'-7 7/8" (505)	1'-8 7/8" (530)	1'-9 7/8" (556)	1'-10 7/8" (581)	1'-11 7/8" (606)	2'-0 7/8" (632)	2'-1 7/8" (657)
	ATSD1807	ATSD2007	ATSD2407	ATSD2607	ATSD2807	ATSD21007	ATSD3007	ATSD3207	ATSD3407	

Shoulder Height	11 1/4" (286)	1'-8 7/8" (530)	1'-10 7/8" (581)	2'-0 7/8" (632)	2'-1 7/8" (657)	2'-2 7/8" (683)	2'-3 7/8" (708)	2'-4 7/8" (733)	2'-5 7/8" (759)	2'-6 7/8" (784)
	ATSD1810	ATSD2010	ATSD2410	ATSD2610	ATSD2810	ATSD21010	ATSD3010	ATSD3210	ATSD3410	

Shoulder Height	23 1/4" (591)	2'-8 7/8" (835)	2'-10 7/8" (886)	3'-0 7/8" (937)	3'-1 7/8" (962)	3'-2 7/8" (987)	3'-3 7/8" (1013)	3'-4 7/8" (1038)	3'-5 7/8" (1064)	3'-6 7/8" (1089)
	ATSD1820	ATSD2020	ATSD2420	ATSD2620	ATSD2820	ATSD21020	ATSD3020	ATSD3220	ATSD3420	

Shoulder Height	27 1/4" (692)	3'-0 7/8" (937)	3'-2 7/8" (987)	3'-4 7/8" (1038)	3'-5 7/8" (1064)	3'-6 7/8" (1089)	3'-7 7/8" (1114)	3'-8 7/8" (1140)	3'-9 7/8" (1165)	3'-10 7/8" (1191)
	ATSD1824	ATSD2024	ATSD2424	ATSD2624	ATSD2824	ATSD21024	ATSD3024	ATSD3224	ATSD3424	

Shoulder Height	31 1/4" (794)	3'-4 7/8" (1038)	3'-6 7/8" (1089)	3'-8 7/8" (1140)	3'-9 7/8" (1165)	3'-10 7/8" (1191)	3'-11 7/8" (1216)	4'-0 7/8" (1241)	4'-1 7/8" (1267)	4'-2 7/8" (1292)
	ATSD1828	ATSD2028	ATSD2428	ATSD2628	ATSD2828	ATSD21028	ATSD3028	ATSD3228	ATSD3428	

Shoulder Height	35 1/4" (895)	3'-8 7/8" (1140)	3'-10 7/8" (1191)	4'-0 7/8" (1241)	4'-1 7/8" (1267)	4'-2 7/8" (1292)	4'-3 7/8" (1318)	4'-4 7/8" (1343)	4'-5 7/8" (1368)	4'-6 7/8" (1394)
	ATSD1830	ATSD2030	ATSD2430	ATSD2630	ATSD2830	ATSD21030	ATSD3030	ATSD3230	ATSD3430	

Shoulder Height	39 1/4" (997)	4'-0 7/8" (1241)	4'-2 7/8" (1292)	4'-4 7/8" (1343)	4'-5 7/8" (1368)	4'-6 7/8" (1394)	4'-7 7/8" (1419)	4'-8 7/8" (1445)	4'-9 7/8" (1470)	4'-10 7/8" (1495)
	ATSD1834	ATSD2034	ATSD2434	ATSD2634	ATSD2834	ATSD21034	ATSD3034	ATSD3234	ATSD3434*	

Shoulder Height	43 1/4" (1099)	4'-4 7/8" (1343)	4'-6 7/8" (1394)	4'-8 7/8" (1445)	4'-9 7/8" (1470)	4'-10 7/8" (1495)	4'-11 7/8" (1521)	5'-0 7/8" (1546)	5'-1 7/8" (1572)	5'-2 7/8" (1597)
	ATSD1838	ATSD2038	ATSD2438	ATSD2638	ATSD2838	ATSD21038	ATSD3038	ATSD3238*	ATSD3438*	

Minimum Rough Opening = window height + 3/4" (19)

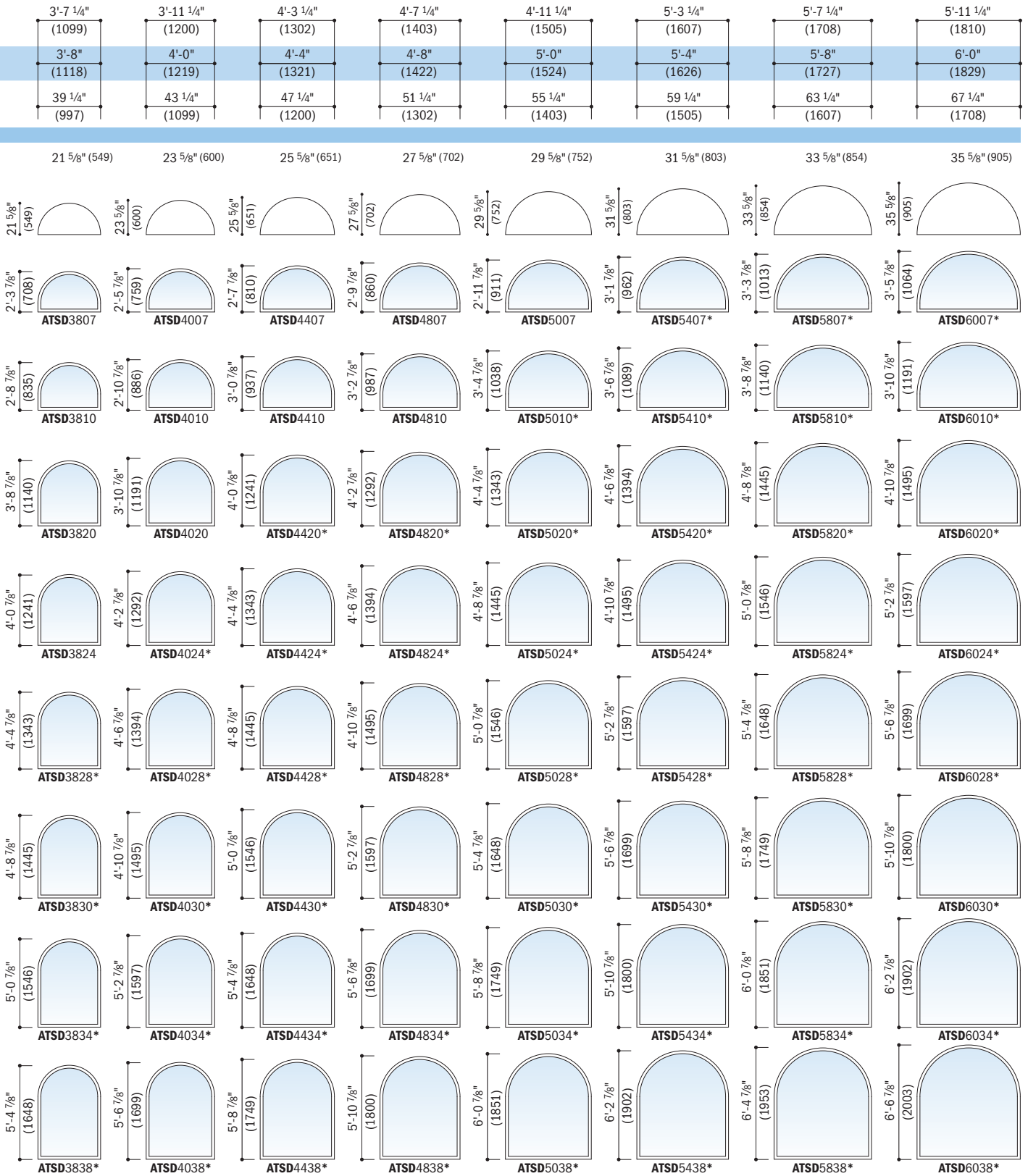
Unobstructed Glass = window height - 4" (102)

CUSTOM SIZES AVAILABLE

\* "Window Dimension" always refers to outside frame to frame dimension.  
 • "Minimum Rough Opening" dimensions may need to be increased to allow for use of building wraps, flashing, sill panning, brackets, fasteners or other items. See page 217 for more details.  
 • Dimensions in parentheses are in millimeters.  
 \*Tempered laminated glass required. Some visual distortion may occur.



Notes on page 87 also apply to these pages. Springline™ sizes on pages 82-88.



continued on next page

- "Window Dimension" always refers to outside frame to frame dimension.
- "Minimum Rough Opening" dimensions may need to be increased to allow for use of building wraps, flashing, sill panning, brackets, fasteners or other items. See page 217 for more details.
- Dimensions in parentheses are in millimeters.
- Tempered laminated glass required. Some visual distortion may occur.

**Table of Direct-Set Springline™ Window Sizes** (continued)

Scale 1/8" (3) = 1'-0" (305) – 1:96

Window Width Dimension	1'-7 1/4" (489)	1'-11 1/4" (591)	2'-3 1/4" (692)	2'-5 1/4" (743)	2'-7 1/4" (794)	2'-9 1/4" (845)	2'-11 1/4" (895)	3'-1 1/4" (946)	3'-3 1/4" (997)
<b>Minimum Rough Opening</b>	1'-8" (508)	2'-0" (610)	2'-4" (711)	2'-6" (762)	2'-8" (813)	2'-10" (864)	3'-0" (914)	3'-2" (965)	3'-4" (1016)
Unobstructed Glass	15 1/4" (387)	19 1/4" (489)	23 1/4" (591)	25 1/4" (641)	27 1/4" (692)	29 1/4" (743)	31 1/4" (794)	33 1/4" (845)	35 1/4" (895)

**CUSTOM SIZES AVAILABLE**

Window height shown in table	Radius	9 5/8" (244)	11 5/8" (295)	13 5/8" (346)	14 5/8" (371)	15 5/8" (397)	16 5/8" (422)	17 5/8" (448)	18 5/8" (473)	19 5/8" (498)
------------------------------	--------	--------------	---------------	---------------	---------------	---------------	---------------	---------------	---------------	---------------

Chord Height	9 5/8" (244)	11 5/8" (295)	13 5/8" (346)	14 5/8" (371)	15 5/8" (397)	16 5/8" (422)	17 5/8" (448)	18 5/8" (473)	19 5/8" (498)
--------------	--------------	---------------	---------------	---------------	---------------	---------------	---------------	---------------	---------------

Shoulder Height	47 1/4" (1200)	48 7/8" (1245)	49 7/8" (1264)	50 7/8" (1283)	51 7/8" (1302)	52 7/8" (1321)	53 7/8" (1340)	54 7/8" (1359)	55 7/8" (1378)	56 7/8" (1397)
	ATSD1840	ATSD2040	ATSD2440	ATSD2640	ATSD2840	ATSD21040	ATSD3040*	ATSD3240*	ATSD3440*	

Shoulder Height	51 1/4" (1302)	52 7/8" (1346)	53 7/8" (1365)	54 7/8" (1384)	55 7/8" (1403)	56 7/8" (1422)	57 7/8" (1441)	58 7/8" (1460)	59 7/8" (1479)	60 7/8" (1498)
	ATSD1844	ATSD2044	ATSD2444	ATSD2644	ATSD2844	ATSD21044*	ATSD3044*	ATSD3244*	ATSD3444*	

Shoulder Height	55 1/4" (1403)	56 7/8" (1447)	57 7/8" (1466)	58 7/8" (1485)	59 7/8" (1504)	60 7/8" (1523)	61 7/8" (1542)	62 7/8" (1561)	63 7/8" (1580)	64 7/8" (1599)
	ATSD1848	ATSD2048	ATSD2448	ATSD2648	ATSD2848*	ATSD21048*	ATSD3048*	ATSD3248*	ATSD3448*	

Shoulder Height	59 1/4" (1504)	60 7/8" (1548)	61 7/8" (1567)	62 7/8" (1586)	63 7/8" (1605)	64 7/8" (1624)	65 7/8" (1643)	66 7/8" (1662)	67 7/8" (1681)	68 7/8" (1700)
	ATSD1850	ATSD2050	ATSD2450	ATSD2650	ATSD2850*	ATSD21050*	ATSD3050*	ATSD3250*	ATSD3450*	

Shoulder Height	63 1/4" (1605)	64 7/8" (1649)	65 7/8" (1668)	66 7/8" (1687)	67 7/8" (1706)	68 7/8" (1725)	69 7/8" (1744)	70 7/8" (1763)	71 7/8" (1782)	72 7/8" (1801)
	ATSD1854	ATSD2054	ATSD2454	ATSD2654*	ATSD2854*	ATSD21054*	ATSD3054*	ATSD3254*	ATSD3454*	

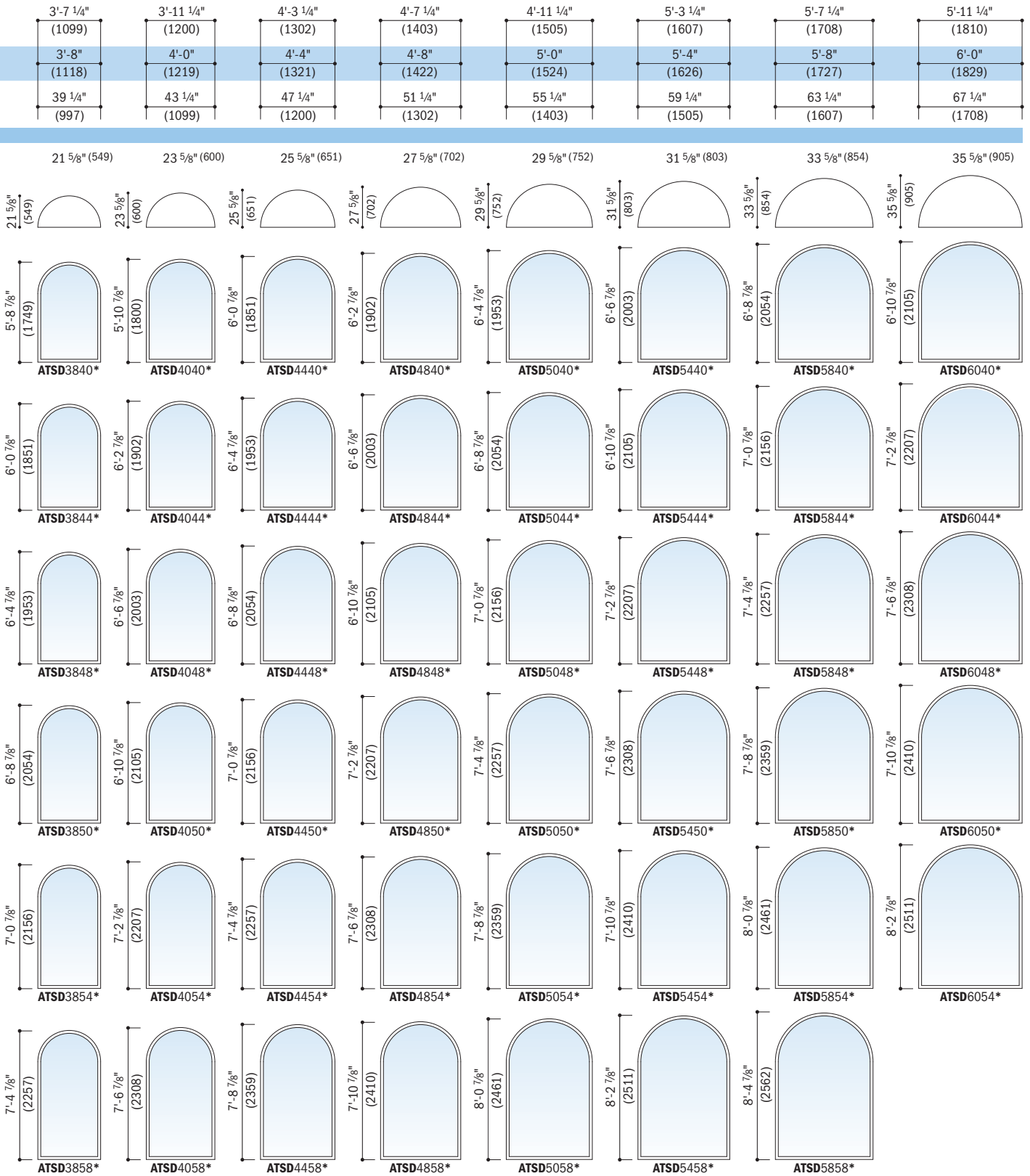
Shoulder Height	67 1/4" (1708)	68 7/8" (1752)	69 7/8" (1771)	70 7/8" (1790)	71 7/8" (1809)	72 7/8" (1828)	73 7/8" (1847)	74 7/8" (1866)	75 7/8" (1885)	76 7/8" (1904)
	ATSD1858	ATSD2058	ATSD2458*	ATSD2658*	ATSD2858*	ATSD21058*	ATSD3058*	ATSD3258*	ATSD3458*	

**Minimum Rough Opening = window height + 3/4" (19)**  
 Unobstructed Glass = window height - 4" (102)

**CUSTOM SIZES AVAILABLE**

• "Window Dimension" always refers to outside frame to frame dimension.  
 • "Minimum Rough Opening" dimensions may need to be increased to allow for use of building wraps, flashing, sill panning, brackets, fasteners or other items. See page 217 for more details.  
 • Dimensions in parentheses are in millimeters.  
 \*Tempered laminated glass required. Some visual distortion may occur.

Notes on page 87 also apply to these pages. Springline™ sizes on pages 82-88.



continued on next page

- "Window Dimension" always refers to outside frame to frame dimension.
- "Minimum Rough Opening" dimensions may need to be increased to allow for use of building wraps, flashing, sill panning, brackets, fasteners or other items. See page 217 for more details.
- Dimensions in parentheses are in millimeters.
- Tempered laminated glass required. Some visual distortion may occur.

**Table of Direct-Set Springline™ Window Sizes** (continued)

Scale 1/8" (3) = 1'-0" (305) – 1:96

Window Width Dimension	1'-7 1/4" (489)	1'-11 1/4" (591)	2'-3 1/4" (692)	2'-5 1/4" (743)	2'-7 1/4" (794)	2'-9 1/4" (845)	2'-11 1/4" (895)	3'-1 1/4" (946)	3'-3 1/4" (997)
<b>Minimum Rough Opening</b>	1'-8" (508) <i>(continued)</i>	2'-0" (610)	2'-4" (711)	2'-6" (762)	2'-8" (813)	2'-10" (864)	3'-0" (914)	3'-2" (965)	3'-4" (1016)
Unobstructed Glass	15 1/4" (387)	19 1/4" (489)	23 1/4" (591)	25 1/4" (641)	27 1/4" (692)	29 1/4" (743)	31 1/4" (794)	33 1/4" (845)	35 1/4" (895)

**CUSTOM SIZES AVAILABLE**

Window height shown in table	Radius	9 5/8" (244)	11 5/8" (295)	13 5/8" (346)	14 5/8" (371)	15 5/8" (397)	16 5/8" (422)	17 5/8" (448)	18 5/8" (473)	19 5/8" (498)
	Chord Height	9 5/8" (244)	11 5/8" (295)	13 5/8" (346)	14 5/8" (371)	15 5/8" (397)	16 5/8" (422)	17 5/8" (448)	18 5/8" (473)	19 5/8" (498)
	Shoulder Height	71 1/4" (1810)	6'-10 7/8" (2105)	7'-0 7/8" (2156)	7'-1 7/8" (2181)	7'-2 7/8" (2207)	7'-3 7/8" (2232)	7'-4 7/8" (2257)	7'-5 7/8" (2283)	7'-6 7/8" (2308)
		ATSD1860	ATSD2060	ATSD2460*	ATSD2660*	ATSD2860*	ATSD21060*	ATSD3060*	ATSD3260*	ATSD3460*
		75 1/4" (1911)	7'-0 7/8" (2156)	7'-2 7/8" (2207)	7'-4 7/8" (2257)	7'-5 7/8" (2283)	7'-6 7/8" (2308)	7'-7 7/8" (2334)	7'-8 7/8" (2359)	7'-9 7/8" (2384)
		ATSD1864	ATSD2064	ATSD2464*	ATSD2664*	ATSD2864*	ATSD21064*	ATSD3064*	ATSD3264*	ATSD3464*
		79 1/4" (2013)	7'-4 7/8" (2257)	7'-6 7/8" (2308)	7'-8 7/8" (2359)	7'-9 7/8" (2384)	7'-10 7/8" (2410)	7'-11 7/8" (2435)	8'-0 7/8" (2461)	8'-1 7/8" (2486)
		ATSD1868	ATSD2068	ATSD2468*	ATSD2668*	ATSD2868*	ATSD21068*	ATSD3068*	ATSD3268*	ATSD3468*
		87 1/4" (2216)	8'-0 7/8" (2461)	8'-2 7/8" (2511)	8'-4 7/8" (2562)	8'-5 7/8" (2588)	8'-6 7/8" (2613)	8'-7 7/8" (2638)	8'-8 7/8" (2664)	8'-9 7/8" (2689)
		ATSD1874	ATSD2074*	ATSD2474*	ATSD2674*	ATSD2874*	ATSD21074*	ATSD3074*	ATSD3274*	ATSD3474*
		95 1/4" (2419)	8'-8 7/8" (2664)	8'-10 7/8" (2715)	9'-0 7/8" (2765)	9'-1 7/8" (2791)	9'-2 7/8" (2816)	9'-3 7/8" (2842)	9'-4 7/8" (2867)	9'-5 7/8" (2892)
		ATSD1880	ATSD2080*	ATSD2480*	ATSD2680*	ATSD2880*	ATSD21080*	ATSD3080*	ATSD3280*	ATSD3480*

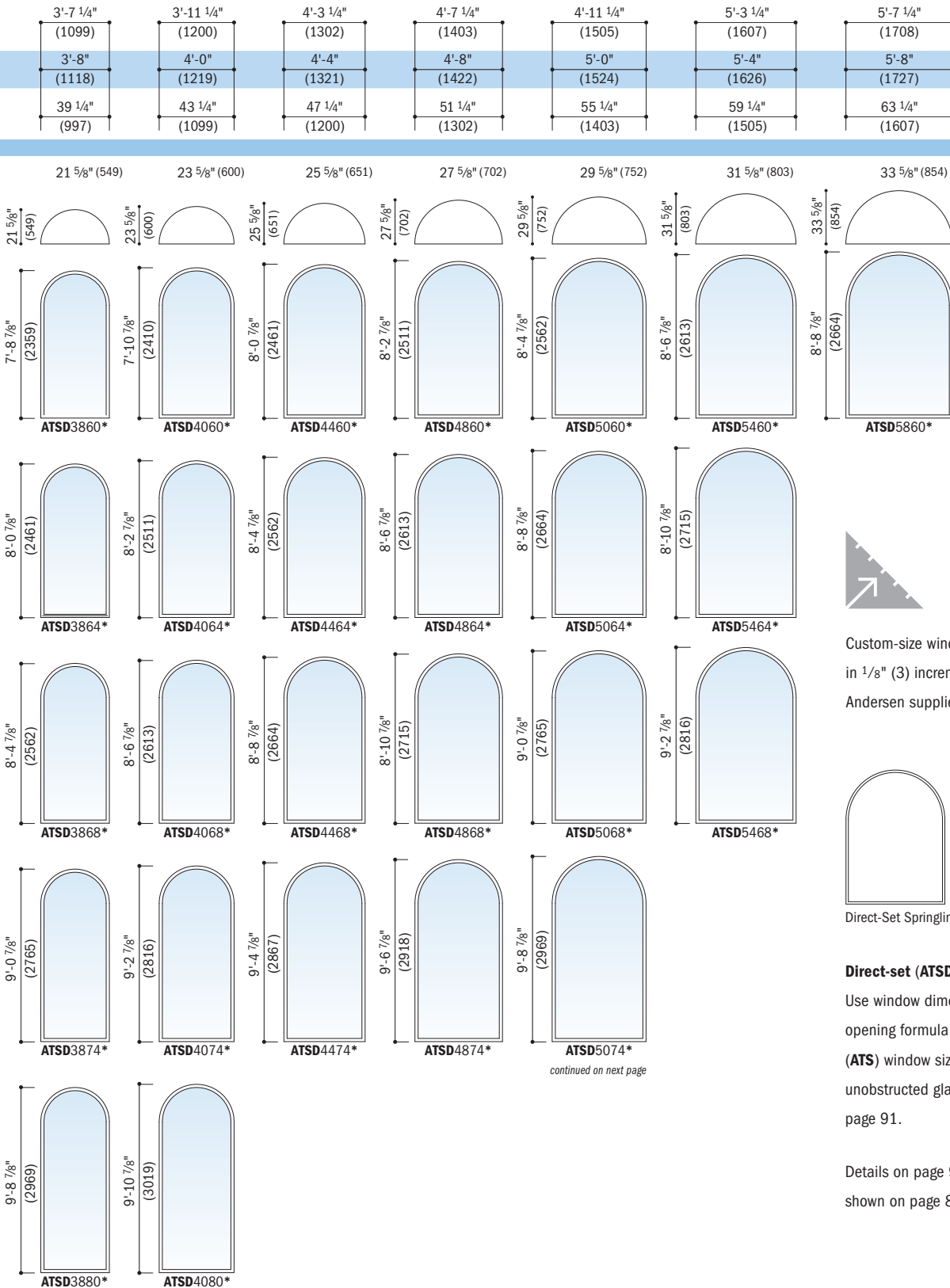
**Minimum Rough Opening = window height + 3/4" (19)**  
 Unobstructed Glass = window height - 4" (102)

**CUSTOM SIZES AVAILABLE**

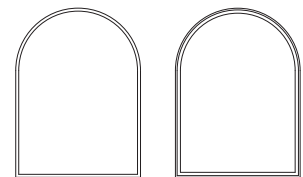
• "Window Dimension" always refers to outside frame to frame dimension.  
 • "Minimum Rough Opening" dimensions may need to be increased to allow for use of building wraps, flashing, sill panning, brackets, fasteners or other items. See page 217 for more details.  
 • Dimensions in parentheses are in millimeters.  
 • Tempered laminated glass required. Some visual distortion may occur.



Notes on this page also apply to previous page. Springline™ sizes on pages 82-88.



Custom-size windows are available in 1/8" (3) increments. Contact your Andersen supplier for more information.



Direct-Set Springline™ Sash-Set Springline™

**Direct-set (ATSD) window sizes shown.**

Use window dimensions and rough opening formula shown for sash-set (ATS) window sizes. For sash-set unobstructed glass dimensions see page 91.

Details on page 93. Grille patterns shown on page 89.

continued on next page

- "Window Dimension" always refers to outside frame to frame dimension.
- "Minimum Rough Opening" dimensions may need to be increased to allow for use of building wraps, flashing, sill panning, brackets, fasteners or other items. See page 217 for more details.
- Dimensions in parentheses are in millimeters.
- Tempered laminated glass required. Some visual distortion may occur.

**Table of Direct-Set Springline™ Window Sizes** (continued)

Notes on page 87 also apply to this page. Springline™ sizes on pages 82-88.

Scale 1/8" (3) = 1'-0" (305) – 1:96

Window Width Dimension	6'-3 1/4" (1911)	6'-7 1/4" (2013)	6'-11 1/4" (2115)	7'-3 1/4" (2216)	7'-11 1/4" (2419)
<b>Minimum Rough Opening</b>	6'-4" (1930)	6'-8" (2032)	7'-0" (2134)	7'-4" (2235)	8'-0" (2438)
Unobstructed Glass	71 1/4" (1810)	75 1/4" (1911)	79 1/4" (2013)	83 1/4" (2115)	91 1/4" (2318)

CUSTOM SIZES AVAILABLE						
Window height shown in table	Radius	37 5/8" (956)	39 5/8" (1006)	41 5/8" (1057)	43 5/8" (1108)	47 5/8" (1210)
	Chord Height	37 5/8" (956)	39 5/8" (1006)	41 5/8" (1057)	43 5/8" (1108)	47 5/8" (1210)
	Shoulder Height	6 1/4" (158)	3'-9 7/8" (1165)	3'-11 7/8" (1216)	4'-1 7/8" (1267)	4'-5 7/8" (1368)
		ATSD6407*	ATSD6807*	ATSD7007*	ATSD7407*	ATSD8007*
		11 1/4" (286)	4'-0 7/8" (1241)	4'-2 7/8" (1292)	4'-4 7/8" (1343)	4'-6 7/8" (1394)
		ATSD6410*	ATSD6810*	ATSD7010*	ATSD7410*	ATSD8010*
		23 1/4" (591)	5'-0 7/8" (1546)	5'-2 7/8" (1597)	5'-4 7/8" (1648)	5'-6 7/8" (1699)
		ATSD6420*	ATSD6820*	ATSD7020*	ATSD7420*	ATSD8020*
		27 1/4" (692)	5'-4 7/8" (1648)	5'-6 7/8" (1699)	5'-8 7/8" (1749)	5'-10 7/8" (1800)
		ATSD6424*	ATSD6824*	ATSD7024*	ATSD7424*	
		31 1/4" (794)	5'-8 7/8" (1749)	5'-10 7/8" (1800)		
		ATSD6428*	ATSD6828*			

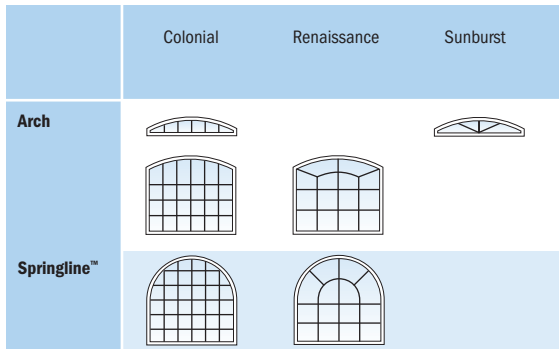
Minimum Rough Opening = window height + 3/4" (19)

Unobstructed Glass = window height - 4" (102)

CUSTOM SIZES AVAILABLE

• "Window Dimension" always refers to outside frame to frame dimension.  
 • "Minimum Rough Opening" dimensions may need to be increased to allow for use of building wraps, flashing, sill panning, brackets, fasteners or other items. See page 217 for more details.  
 • Dimensions in parentheses are in millimeters.  
 • Tempered laminated glass required. Some visual distortion may occur.

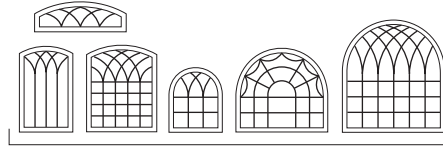
**Grille Patterns**



Number of lights and overall pattern varies with window size.

Patterns are not available in all configurations.

Specified equal light and custom patterns are also available. For more information on divided light see pages 18-19 or visit [andersenwindows.com/grilles](http://andersenwindows.com/grilles).



Custom Pattern Examples

• Andersen® Finelight™ grilles available in 3/4" (19) profile only.

**Direct-Set Springline™  
Window Area Specifications**

Window Number	Glass Area Sq. Ft./ (m <sup>2</sup> )	Window Number	Glass Area Sq. Ft./ (m <sup>2</sup> )	Window Number	Glass Area Sq. Ft./ (m <sup>2</sup> )	Window Number	Glass Area Sq. Ft./ (m <sup>2</sup> )
ATSD1807	1.08 (0.10)	ATSD2407	2.16 (0.20)	ATSD2807	2.83 (0.26)	ATSD3007	3.59 (0.33)
ATSD1810	1.61 (0.15)	ATSD2410	2.97 (0.28)	ATSD2810	3.78 (0.35)	ATSD3010	4.67 (0.43)
ATSD1820	2.88 (0.27)	ATSD2420	4.91 (0.46)	ATSD2820	6.05 (0.56)	ATSD3020	7.27 (0.68)
ATSD1824	3.31 (0.31)	ATSD2424	5.55 (0.52)	ATSD2824	6.80 (0.63)	ATSD3024	8.14 (0.76)
ATSD1828	3.73 (0.35)	ATSD2428	6.20 (0.58)	ATSD2828	7.56 (0.70)	ATSD3028	9.01 (0.84)
ATSD1830	4.16 (0.39)	ATSD2430	6.84 (0.64)	ATSD2830	8.32 (0.77)	ATSD3030	9.88 (0.92)
ATSD1834	4.58 (0.43)	ATSD2434	7.49 (0.70)	ATSD2834	9.07 (0.84)	ATSD3034	10.75 (1.00)
ATSD1838	5.00 (0.46)	ATSD2438	8.13 (0.76)	ATSD2838	9.83 (0.91)	ATSD3038	11.61 (1.08)
ATSD1840	5.43 (0.50)	ATSD2440	8.78 (0.82)	ATSD2840	10.59 (0.98)	ATSD3040	12.48 (1.16)
ATSD1844	5.85 (0.54)	ATSD2444	9.43 (0.88)	ATSD2844	11.34 (1.05)	ATSD3044	13.35 (1.24)
ATSD1848	6.27 (0.58)	ATSD2448	10.07 (0.94)	ATSD2848	12.10 (1.12)	ATSD3048	14.22 (1.32)
ATSD1850	6.70 (0.62)	ATSD2450	10.72 (1.00)	ATSD2850	12.86 (1.19)	ATSD3050	15.09 (1.40)
ATSD1854	7.12 (0.66)	ATSD2454	11.36 (1.06)	ATSD2854	13.62 (1.27)	ATSD3054	15.96 (1.48)
ATSD1858	7.54 (0.70)	ATSD2458	12.01 (1.12)	ATSD2858	14.37 (1.34)	ATSD3058	16.82 (1.56)
ATSD1860	7.97 (0.74)	ATSD2460	12.66 (1.18)	ATSD2860	15.13 (1.41)	ATSD3060	17.69 (1.64)
ATSD1864	8.39 (0.78)	ATSD2464	13.30 (1.24)	ATSD2864	15.89 (1.48)	ATSD3064	18.56 (1.72)
ATSD1868	8.82 (0.82)	ATSD2468	13.95 (1.30)	ATSD2868	16.64 (1.55)	ATSD3068	19.43 (1.81)
ATSD1874	9.66 (0.90)	ATSD2474	15.24 (1.42)	ATSD2874	18.16 (1.69)	ATSD3074	21.16 (1.97)
ATSD1880	10.51 (0.98)	ATSD2480	16.53 (1.54)	ATSD2880	19.67 (1.83)	ATSD3080	22.90 (2.13)
ATSD2007	1.58 (0.15)	ATSD2607	2.48 (0.23)	ATSD21007	3.20 (0.30)	ATSD3207	4.00 (0.37)
ATSD2010	2.25 (0.21)	ATSD2610	3.36 (0.31)	ATSD21010	4.21 (0.39)	ATSD3210	5.15 (0.48)
ATSD2020	3.85 (0.36)	ATSD2620	5.46 (0.51)	ATSD21020	6.65 (0.62)	ATSD3220	7.92 (0.74)
ATSD2024	4.39 (0.41)	ATSD2624	6.17 (0.57)	ATSD21024	7.46 (0.69)	ATSD3224	8.85 (0.82)
ATSD2028	4.92 (0.46)	ATSD2628	6.87 (0.64)	ATSD21028	8.27 (0.77)	ATSD3228	9.77 (0.91)
ATSD2030	5.46 (0.51)	ATSD2630	7.57 (0.70)	ATSD21030	9.09 (0.84)	ATSD3230	10.69 (0.99)
ATSD2034	5.99 (0.56)	ATSD2634	8.27 (0.77)	ATSD21034	9.90 (0.92)	ATSD3234	11.62 (1.08)
ATSD2038	6.52 (0.61)	ATSD2638	8.97 (0.83)	ATSD21038	10.71 (0.99)	ATSD3238	12.54 (1.17)
ATSD2040	7.06 (0.66)	ATSD2640	9.67 (0.90)	ATSD21040	11.52 (1.07)	ATSD3240	13.46 (1.25)
ATSD2044	7.59 (0.71)	ATSD2644	10.37 (0.96)	ATSD21044	12.34 (1.15)	ATSD3244	14.39 (1.34)
ATSD2048	8.13 (0.76)	ATSD2648	11.08 (1.03)	ATSD21048	13.15 (1.22)	ATSD3248	15.31 (1.42)
ATSD2050	8.66 (0.80)	ATSD2650	11.78 (1.09)	ATSD21050	13.96 (1.30)	ATSD3250	16.23 (1.51)
ATSD2054	9.20 (0.85)	ATSD2654	12.48 (1.16)	ATSD21054	14.77 (1.37)	ATSD3254	17.16 (1.59)
ATSD2058	9.73 (0.90)	ATSD2658	13.18 (1.22)	ATSD21058	15.59 (1.45)	ATSD3258	18.08 (1.68)
ATSD2060	10.27 (0.95)	ATSD2660	13.88 (1.29)	ATSD21060	16.40 (1.52)	ATSD3260	19.00 (1.77)
ATSD2064	10.80 (1.00)	ATSD2664	14.58 (1.35)	ATSD21064	17.21 (1.60)	ATSD3264	19.93 (1.85)
ATSD2068	11.34 (1.05)	ATSD2668	15.28 (1.42)	ATSD21068	18.02 (1.67)	ATSD3268	20.85 (1.94)
ATSD2074	12.41 (1.15)	ATSD2674	16.69 (1.55)	ATSD21074	19.65 (1.83)	ATSD3274	22.70 (2.11)
ATSD2080	13.48 (1.25)	ATSD2680	18.09 (1.68)	ATSD21080	21.27 (1.98)		

• Dimensions in parentheses are in square meters.

continued on next page

## Direct-Set Springline™ Window Area Specifications *(continued)*

Window Number	Glass Area Sq. Ft./ (m²)	Window Number	Glass Area Sq. Ft./ (m²)	Window Number	Glass Area Sq. Ft./ (m²)
ATSD3280	24.55 (2.28)	ATSD4420	13.06 (1.21)	ATSD5440	28.19 (2.62)
ATSD3407	4.43 (0.41)	ATSD4424	14.37 (1.34)	ATSD5444	29.84 (2.77)
ATSD3410	5.65 (0.52)	ATSD4428	15.69 (1.46)	ATSD5448	31.48 (2.92)
ATSD3420	8.59 (0.80)	ATSD4430	17.00 (1.58)	ATSD5450	33.13 (3.08)
ATSD3424	9.57 (0.89)	ATSD4434	18.31 (1.70)	ATSD5454	34.78 (3.23)
ATSD3428	10.55 (0.98)	ATSD4438	19.62 (1.82)	ATSD5458	36.42 (3.38)
ATSD3430	11.53 (1.07)	ATSD4440	20.94 (1.95)	ATSD5460	38.07 (3.54)
ATSD3434	12.51 (1.16)	ATSD4444	22.25 (2.07)	ATSD5464	39.71 (3.69)
ATSD3438	13.49 (1.25)	ATSD4448	23.56 (2.19)	ATSD5468	41.36 (3.84)
ATSD3440	14.47 (1.34)	ATSD4450	24.87 (2.31)	ATSD5807	12.78 (1.19)
ATSD3444	15.44 (1.43)	ATSD4454	26.19 (2.43)	ATSD5810	14.97 (1.39)
ATSD3448	16.42 (1.53)	ATSD4458	27.50 (2.55)	ATSD5820	20.24 (1.88)
ATSD3450	17.40 (1.62)	ATSD4460	28.81 (2.68)	ATSD5824	22.00 (2.04)
ATSD3454	18.38 (1.71)	ATSD4464	30.12 (2.80)	ATSD5828	23.76 (2.21)
ATSD3458	19.36 (1.80)	ATSD4468	31.44 (2.92)	ATSD5830	25.51 (2.37)
ATSD3460	20.34 (1.89)	ATSD4474	34.06 (3.16)	ATSD5834	27.27 (2.53)
ATSD3464	21.32 (1.98)	ATSD4807	8.68 (0.81)	ATSD5838	29.03 (2.70)
ATSD3468	22.30 (2.07)	ATSD4810	10.45 (0.97)	ATSD5840	30.79 (2.86)
ATSD3474	24.26 (2.25)	ATSD4820	14.73 (1.37)	ATSD5844	32.54 (3.02)
ATSD3480	26.22 (2.44)	ATSD4824	16.15 (1.50)	ATSD5848	34.30 (3.19)
ATSD3807	5.36 (0.50)	ATSD4828	17.57 (1.63)	ATSD5850	36.06 (3.35)
ATSD3810	6.72 (0.62)	ATSD4830	19.00 (1.77)	ATSD5854	37.81 (3.51)
ATSD3820	9.99 (0.93)	ATSD4834	20.42 (1.90)	ATSD5858	39.57 (3.68)
ATSD3824	11.08 (1.03)	ATSD4838	21.84 (2.03)	ATSD5860	41.33 (3.84)
ATSD3828	12.17 (1.13)	ATSD4840	23.27 (2.16)	ATSD6007	14.32 (1.33)
ATSD3830	13.26 (1.23)	ATSD4844	24.69 (2.29)	ATSD6010	16.65 (1.55)
ATSD3834	14.35 (1.33)	ATSD4848	26.11 (2.43)	ATSD6020	22.26 (2.07)
ATSD3838	15.44 (1.43)	ATSD4850	27.54 (2.56)	ATSD6024	24.13 (2.24)
ATSD3840	16.53 (1.54)	ATSD4854	28.96 (2.69)	ATSD6028	25.99 (2.41)
ATSD3844	17.63 (1.64)	ATSD4858	30.39 (2.82)	ATSD6030	27.86 (2.59)
ATSD3848	18.72 (1.74)	ATSD4860	31.81 (2.96)	ATSD6034	29.73 (2.76)
ATSD3850	19.81 (1.84)	ATSD4864	33.23 (3.09)	ATSD6038	31.60 (2.94)
ATSD3854	20.90 (1.94)	ATSD4868	34.66 (3.22)	ATSD6040	33.47 (3.11)
ATSD3858	21.99 (2.04)	ATSD4874	37.50 (3.48)	ATSD6044	35.33 (3.28)
ATSD3860	23.08 (2.14)	ATSD5007	9.96 (0.93)	ATSD6048	37.20 (3.46)
ATSD3864	24.17 (2.25)	ATSD5010	11.87 (1.10)	ATSD6050	39.07 (3.63)
ATSD3868	25.26 (2.35)	ATSD5020	16.48 (1.53)	ATSD6054	40.94 (3.80)
ATSD3874	27.44 (2.55)	ATSD5024	18.01 (1.67)	ATSD6407	15.95 (1.48)
ATSD3880	29.62 (2.75)	ATSD5028	19.55 (1.82)	ATSD6410	18.42 (1.71)
ATSD4007	6.38 (0.59)	ATSD5030	21.08 (1.96)	ATSD6420	24.36 (2.26)
ATSD4010	7.88 (0.73)	ATSD5034	22.62 (2.10)	ATSD6424	26.34 (2.45)
ATSD4020	11.48 (1.07)	ATSD5038	24.15 (2.24)	ATSD6428	28.32 (2.63)
ATSD4024	12.68 (1.18)	ATSD5040	25.69 (2.39)	ATSD6807	17.66 (1.64)
ATSD4028	13.89 (1.29)	ATSD5044	27.22 (2.53)	ATSD6810	20.28 (1.88)
ATSD4030	15.09 (1.40)	ATSD5048	28.76 (2.67)	ATSD6820	26.55 (2.47)
ATSD4034	16.29 (1.51)	ATSD5050	30.29 (2.81)	ATSD6824	28.64 (2.66)
ATSD4038	17.49 (1.62)	ATSD5054	31.83 (2.96)	ATSD6828	30.73 (2.85)
ATSD4040	18.69 (1.74)	ATSD5058	33.36 (3.10)	ATSD7007	19.47 (1.81)
ATSD4044	19.89 (1.85)	ATSD5060	34.89 (3.24)	ATSD7010	22.22 (2.06)
ATSD4048	21.09 (1.96)	ATSD5064	36.43 (3.38)	ATSD7020	28.82 (2.68)
ATSD4050	22.30 (2.07)	ATSD5068	37.96 (3.53)	ATSD7024	31.02 (2.88)
ATSD4054	23.50 (2.18)	ATSD5074	41.03 (3.81)	ATSD7407	21.36 (1.98)
ATSD4058	24.70 (2.29)	ATSD5407	11.32 (1.05)	ATSD7410	24.25 (2.25)
ATSD4060	25.90 (2.41)	ATSD5410	13.38 (1.24)	ATSD7420	31.19 (2.90)
ATSD4064	27.10 (2.52)	ATSD5420	18.32 (1.70)	ATSD7424	33.50 (3.11)
ATSD4068	28.30 (2.63)	ATSD5424	19.96 (1.85)	ATSD8007	25.40 (2.36)
ATSD4074	30.71 (2.85)	ATSD5428	21.61 (2.01)	ATSD8010	28.57 (2.65)
ATSD4080	33.11 (3.08)	ATSD5430	23.25 (2.16)	ATSD8020	36.17 (3.36)
ATSD4407	7.48 (0.70)	ATSD5434	24.90 (2.31)		
ATSD4410	9.12 (0.85)	ATSD5438	26.55 (2.47)		

• Dimensions in parentheses are in square meters.





## Sash-Set Springline™ Window Unobstructed Glass Dimensions and Area Specifications (continued)

Window Number	Unobstructed Glass Width Inches/(mm)	Unobstructed Glass Height Inches/(mm)	Glass Area Sq. Ft./ (m <sup>2</sup> )	Window Number	Unobstructed Glass Width Inches/(mm)	Unobstructed Glass Height Inches/(mm)	Glass Area Sq. Ft./ (m <sup>2</sup> )	Window Number	Unobstructed Glass Width Inches/(mm)	Unobstructed Glass Height Inches/(mm)	Glass Area Sq. Ft./ (m <sup>2</sup> )
ATS3840	36 5/8" (930)	62 1/4" (1581)	14.81 (1.38)	ATS4858	48 5/8" (1235)	84 1/4" (2140)	26.66 (2.48)	ATS6030	64 5/8" (1641)	60 1/4" (1530)	23.90 (2.22)
ATS3844	36 5/8" (930)	66 1/4" (1683)	15.83 (1.47)	ATS4860	48 5/8" (1235)	88 1/4" (2242)	28.01 (2.60)	ATS6034	64 5/8" (1641)	64 1/4" (1632)	25.70 (2.39)
ATS3848	36 5/8" (930)	70 1/4" (1784)	16.85 (1.57)	ATS4864	48 5/8" (1235)	92 1/4" (2343)	29.36 (2.73)	ATS6038	64 5/8" (1641)	68 1/4" (1734)	27.49 (2.55)
ATS3850	36 5/8" (930)	74 1/4" (1886)	17.86 (1.66)	ATS4868	48 5/8" (1235)	96 1/4" (2445)	30.71 (2.85)	ATS6040	64 5/8" (1641)	72 1/4" (1835)	29.29 (2.72)
ATS3854	36 5/8" (930)	78 1/4" (1988)	18.88 (1.75)	ATS4874	48 5/8" (1235)	100 1/4" (2546)	32.06 (2.98)	ATS6044	64 5/8" (1641)	76 1/4" (1937)	31.08 (2.89)
ATS3858	36 5/8" (930)	82 1/4" (2089)	19.90 (1.85)	ATS5007	48 5/8" (1235)	108 1/4" (2750)	34.76 (3.23)	ATS6048	64 5/8" (1641)	80 1/4" (2038)	32.87 (3.05)
ATS3860	36 5/8" (930)	86 1/4" (2191)	20.91 (1.94)	ATS5010	52 5/8" (1337)	29 1/4" (743)	8.61 (0.80)	ATS6050	64 5/8" (1641)	84 1/4" (2140)	34.67 (3.22)
ATS3864	36 5/8" (930)	90 1/4" (2292)	21.93 (2.04)	ATS5020	52 5/8" (1337)	34 1/4" (870)	10.44 (0.97)	ATS6054	64 5/8" (1641)	88 1/4" (2242)	36.46 (3.39)
ATS3868	36 5/8" (930)	94 1/4" (2394)	22.95 (2.13)	ATS5024	52 5/8" (1337)	46 1/4" (1175)	14.82 (1.38)	ATS6407	68 5/8" (1743)	92 1/4" (2343)	38.26 (3.55)
ATS3874	36 5/8" (930)	102 1/4" (2597)	24.98 (2.32)	ATS5028	52 5/8" (1337)	50 1/4" (1276)	16.28 (1.51)	ATS6410	68 5/8" (1743)	37 1/4" (946)	14.22 (1.32)
ATS3880	36 5/8" (930)	110 1/4" (2800)	27.01 (2.51)	ATS5030	52 5/8" (1337)	54 1/4" (1378)	17.74 (1.65)	ATS6420	68 5/8" (1743)	42 1/4" (1073)	16.60 (1.54)
ATS4007	40 5/8" (1032)	23 1/4" (591)	5.32 (0.49)	ATS5034	52 5/8" (1337)	58 1/4" (1480)	19.20 (1.78)	ATS6424	68 5/8" (1743)	54 1/4" (1378)	22.32 (2.07)
ATS4010	40 5/8" (1032)	28 1/4" (718)	6.73 (0.63)	ATS5038	52 5/8" (1337)	62 1/4" (1581)	20.66 (1.92)	ATS6428	68 5/8" (1743)	58 1/4" (1480)	24.23 (2.25)
ATS4020	40 5/8" (1032)	40 1/4" (1022)	10.11 (0.94)	ATS5040	52 5/8" (1337)	66 1/4" (1683)	22.12 (2.06)	ATS6807	68 5/8" (1743)	62 1/4" (1581)	26.13 (2.43)
ATS4024	40 5/8" (1032)	44 1/4" (1124)	11.24 (1.04)	ATS5044	52 5/8" (1337)	70 1/4" (1784)	23.59 (2.19)	ATS6810	72 5/8" (1845)	39 1/4" (997)	15.84 (1.47)
ATS4028	40 5/8" (1032)	48 1/4" (1226)	12.37 (1.15)	ATS5048	52 5/8" (1337)	74 1/4" (1886)	25.05 (2.33)	ATS6820	72 5/8" (1845)	44 1/4" (1124)	18.37 (1.71)
ATS4030	40 5/8" (1032)	52 1/4" (1327)	13.49 (1.25)	ATS5050	52 5/8" (1337)	78 1/4" (1988)	26.51 (2.46)	ATS6824	72 5/8" (1845)	56 1/4" (1429)	24.41 (2.27)
ATS4034	40 5/8" (1032)	56 1/4" (1429)	14.62 (1.36)	ATS5054	52 5/8" (1337)	82 1/4" (2089)	27.97 (2.60)	ATS6828	72 5/8" (1845)	60 1/4" (1530)	26.43 (2.46)
ATS4038	40 5/8" (1032)	60 1/4" (1530)	15.75 (1.46)	ATS5058	52 5/8" (1337)	86 1/4" (2191)	29.43 (2.73)	ATS7007	72 5/8" (1845)	64 1/4" (1632)	28.45 (2.64)
ATS4040	40 5/8" (1032)	64 1/4" (1632)	16.88 (1.57)	ATS5060	52 5/8" (1337)	90 1/4" (2292)	30.89 (2.87)	ATS7010	76 5/8" (1946)	41 1/4" (1048)	17.55 (1.63)
ATS4044	40 5/8" (1032)	68 1/4" (1734)	18.00 (1.67)	ATS5064	52 5/8" (1337)	94 1/4" (2394)	32.35 (3.01)	ATS7020	76 5/8" (1946)	46 1/4" (1175)	20.21 (1.88)
ATS4048	40 5/8" (1032)	72 1/4" (1835)	19.13 (1.78)	ATS5068	52 5/8" (1337)	98 1/4" (2496)	33.81 (3.14)	ATS7024	76 5/8" (1946)	58 1/4" (1480)	26.60 (2.47)
ATS4050	40 5/8" (1032)	76 1/4" (1937)	20.26 (1.88)	ATS5074	52 5/8" (1337)	102 1/4" (2597)	35.27 (3.28)	ATS7407	76 5/8" (1946)	62 1/4" (1581)	28.72 (2.67)
ATS4054	40 5/8" (1032)	80 1/4" (2038)	21.39 (1.99)	ATS5407	52 5/8" (1337)	110 1/4" (2800)	38.19 (3.55)	ATS7410	80 5/8" (2048)	43 1/4" (1099)	19.35 (1.80)
ATS4058	40 5/8" (1032)	84 1/4" (2140)	22.51 (2.09)	ATS5410	56 5/8" (1438)	31 1/4" (794)	9.88 (0.92)	ATS7420	80 5/8" (2048)	48 1/4" (1226)	22.15 (2.06)
ATS4060	40 5/8" (1032)	88 1/4" (2242)	23.64 (2.20)	ATS5420	56 5/8" (1438)	36 1/4" (921)	11.85 (1.10)	ATS7424	80 5/8" (2048)	60 1/4" (1530)	28.86 (2.68)
ATS4064	40 5/8" (1032)	92 1/4" (2343)	24.77 (2.30)	ATS5424	56 5/8" (1438)	48 1/4" (1226)	16.56 (1.54)	ATS8007	80 5/8" (2048)	64 1/4" (1632)	31.10 (2.89)
ATS4068	40 5/8" (1032)	96 1/4" (2445)	25.90 (2.41)	ATS5428	56 5/8" (1438)	52 1/4" (1327)	18.14 (1.69)	ATS8010	80 5/8" (2048)	47 1/4" (1200)	23.20 (2.16)
ATS4074	40 5/8" (1032)	104 1/4" (2648)	28.15 (2.62)	ATS5430	56 5/8" (1438)	56 1/4" (1429)	19.71 (1.83)	ATS8020	80 5/8" (2048)	52 1/4" (1327)	26.28 (2.44)
ATS4080	40 5/8" (1032)	112 1/4" (2851)	30.41 (2.83)	ATS5434	56 5/8" (1438)	60 1/4" (1530)	21.28 (1.98)	ATS4854	80 5/8" (2048)	64 1/4" (1632)	33.66 (3.13)
ATS4407	44 5/8" (1133)	25 1/4" (641)	6.33 (0.59)	ATS5438	56 5/8" (1438)	64 1/4" (1632)	22.85 (2.12)				
ATS4410	44 5/8" (1133)	30 1/4" (768)	7.88 (0.73)	ATS5440	56 5/8" (1438)	68 1/4" (1734)	24.42 (2.27)				
ATS4420	44 5/8" (1133)	42 1/4" (1073)	11.59 (1.08)	ATS5444	56 5/8" (1438)	72 1/4" (1835)	26.00 (2.42)				
ATS4424	44 5/8" (1133)	46 1/4" (1175)	12.83 (1.19)	ATS5448	56 5/8" (1438)	76 1/4" (1937)	27.57 (2.56)				
ATS4428	44 5/8" (1133)	50 1/4" (1276)	14.07 (1.31)	ATS5450	56 5/8" (1438)	80 1/4" (2038)	29.14 (2.71)				
ATS4430	44 5/8" (1133)	54 1/4" (1378)	15.31 (1.42)	ATS5454	56 5/8" (1438)	84 1/4" (2140)	30.71 (2.85)				
ATS4434	44 5/8" (1133)	58 1/4" (1480)	16.55 (1.54)	ATS5458	56 5/8" (1438)	88 1/4" (2242)	32.28 (3.00)				
ATS4438	44 5/8" (1133)	62 1/4" (1581)	17.79 (1.65)	ATS5460	56 5/8" (1438)	92 1/4" (2343)	33.86 (3.15)				
ATS4440	44 5/8" (1133)	66 1/4" (1683)	19.02 (1.77)	ATS5464	56 5/8" (1438)	96 1/4" (2445)	35.43 (3.29)				
ATS4444	44 5/8" (1133)	70 1/4" (1784)	20.26 (1.88)	ATS5468	56 5/8" (1438)	100 1/4" (2546)	37.00 (3.44)				
ATS4448	44 5/8" (1133)	74 1/4" (1886)	21.50 (2.00)	ATS5807	56 5/8" (1438)	104 1/4" (2648)	38.57 (3.58)				
ATS4450	44 5/8" (1133)	78 1/4" (1988)	22.74 (2.11)	ATS5810	60 5/8" (1540)	33 1/4" (845)	11.24 (1.04)				
ATS4454	44 5/8" (1133)	82 1/4" (2089)	23.98 (2.23)	ATS5820	60 5/8" (1540)	38 1/4" (972)	13.35 (1.24)				
ATS4458	44 5/8" (1133)	86 1/4" (2191)	25.22 (2.34)	ATS5824	60 5/8" (1540)	50 1/4" (1276)	18.40 (1.71)				
ATS4460	44 5/8" (1133)	90 1/4" (2292)	26.46 (2.46)	ATS5828	60 5/8" (1540)	54 1/4" (1378)	20.08 (1.87)				
ATS4464	44 5/8" (1133)	94 1/4" (2394)	27.70 (2.57)	ATS5830	60 5/8" (1540)	58 1/4" (1480)	21.76 (2.02)				
ATS4468	44 5/8" (1133)	98 1/4" (2496)	28.93 (2.69)	ATS5834	60 5/8" (1540)	62 1/4" (1581)	23.45 (2.18)				
ATS4474	44 5/8" (1133)	106 1/4" (2699)	31.41 (2.92)	ATS5838	60 5/8" (1540)	66 1/4" (1683)	25.13 (2.33)				
ATS4807	48 5/8" (1235)	27 1/4" (692)	7.43 (0.69)	ATS5840	60 5/8" (1540)	70 1/4" (1784)	26.81 (2.49)				
ATS4810	48 5/8" (1235)	32 1/4" (819)	9.11 (0.85)	ATS5844	60 5/8" (1540)	74 1/4" (1886)	28.49 (2.65)				
ATS4820	48 5/8" (1235)	44 1/4" (1124)	13.16 (1.22)	ATS5848	60 5/8" (1540)	78 1/4" (1988)	30.18 (2.80)				
ATS4824	48 5/8" (1235)	48 1/4" (1226)	14.51 (1.35)	ATS5850	60 5/8" (1540)	82 1/4" (2089)	31.86 (2.96)				
ATS4828	48 5/8" (1235)	52 1/4" (1327)	15.86 (1.47)	ATS5854	60 5/8" (1540)	86 1/4" (2191)	33.54 (3.12)				
ATS4830	48 5/8" (1235)	56 1/4" (1429)	17.21 (1.60)	ATS5858	60 5/8" (1540)	90 1/4" (2292)	35.23 (3.27)				
ATS4834	48 5/8" (1235)	60 1/4" (1530)	18.56 (1.72)	ATS5860	60 5/8" (1540)	94 1/4" (2394)	36.91 (3.43)				
ATS4838	48 5/8" (1235)	64 1/4" (1632)	19.91 (1.85)	ATS6007	60 5/8" (1540)	98 1/4" (2496)	38.59 (3.59)				
ATS4840	48 5/8" (1235)	68 1/4" (1734)	21.26 (1.98)	ATS6010	64 5/8" (1641)	35 1/4" (895)	12.69 (1.18)				
ATS4844	48 5/8" (1235)	72 1/4" (1835)	22.61 (2.10)	ATS6020	64 5/8" (1641)	40 1/4" (1022)	14.93 (1.39)				
ATS4848	48 5/8" (1235)	76 1/4" (1937)	23.96 (2.23)	ATS6024	64 5/8" (1641)	52 1/4" (1327)	20.31 (1.89)				
ATS4850	48 5/8" (1235)	80 1/4" (2038)	25.31 (2.35)	ATS6028	64 5/8" (1641)	56 1/4" (1429)	22.11 (2.05)				

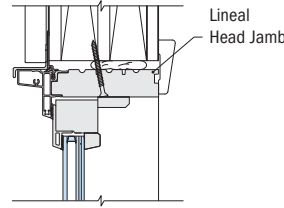
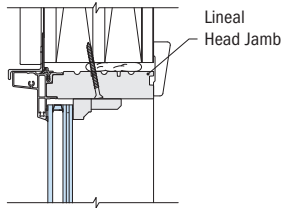
• Dimensions in parentheses are in millimeters or square meters.

**Direct-Set Specialty Window Details**

Scale 1 1/2" (38) = 1'-0" (305) – 1:8

**Sash-Set Specialty Window Details**

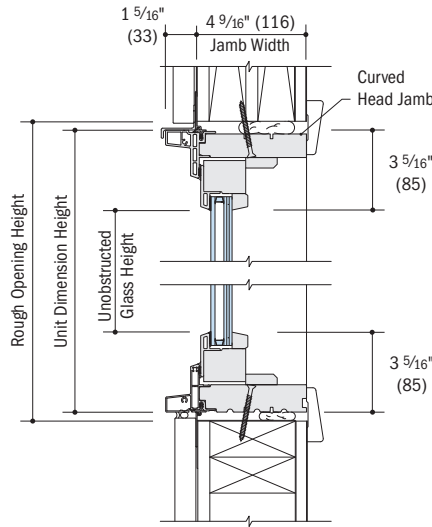
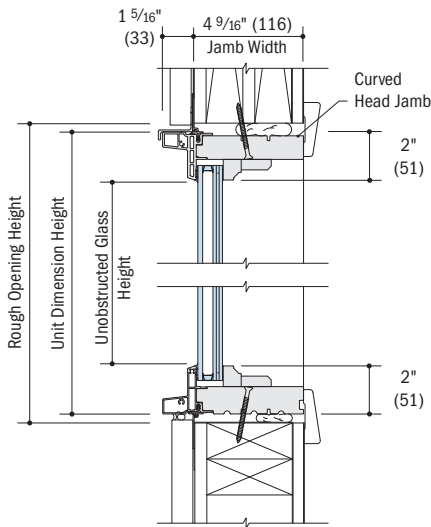
Scale 1 1/2" (38) = 1'-0" (305) – 1:8



Both lineal and curved head jambs are shown. Choose detail based on your specialty window shape.

Sash-set specialty and direct-set specialty windows are available in 4 9/16" (116) and 6 9/16" (167) jamb depths.

Oval windows are only available direct-set.

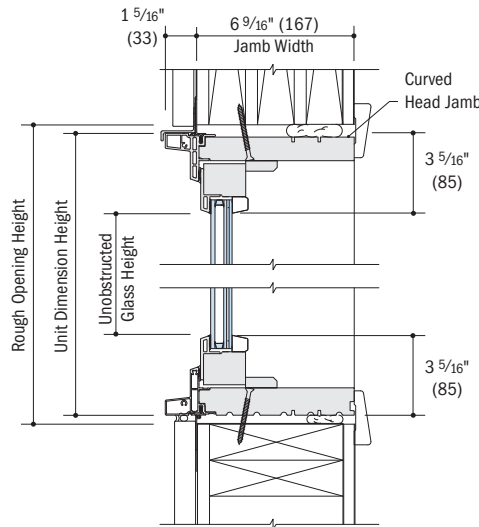
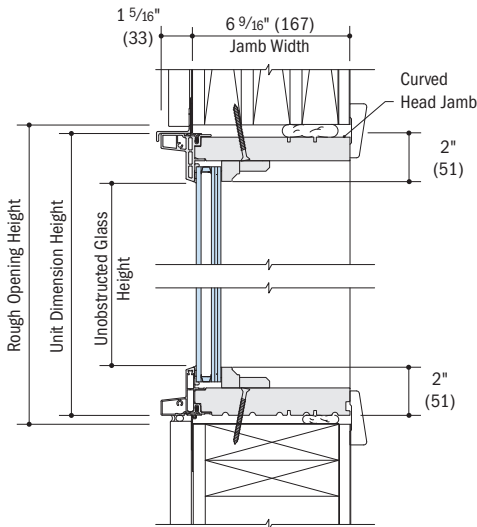


**Vertical Section**

Low-E4\* Impact-Resistant Glass

**Vertical Section**

Low-E4\* Impact-Resistant Glass



**Vertical Section**

Low-E4\* Impact-Resistant Glass

**Vertical Section**

Low-E4\* Impact-Resistant Glass

- 4 9/16" (116) and 6 9/16" (167) jamb width measurement is from backside of installation flange.
- Light-colored areas are parts included with window. Dark-colored areas are additional Andersen® parts required to complete window assembly as shown.
- Dimensions in parentheses are in millimeters.
- **Rough openings may need to be increased to allow for use of building wraps, flashing, sill panning, brackets, fasteners or other items. See installation information on page 217.**
- Details are for illustration only and are not intended to represent product installation methods or materials. Refer to product installation guides at [andersenwindows.com](http://andersenwindows.com).

## Horizontal (stack) LVL Joining Details

Scale 1 1/2" (38) = 1'-0" (305) – 1:8

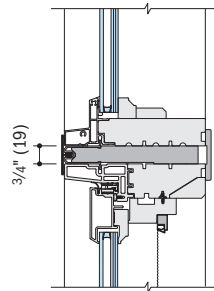
4 9/16" (116) and 6 9/16" (167)

LVL joining shown. Clip joining is also available for joining specialty windows to other A-Series windows.

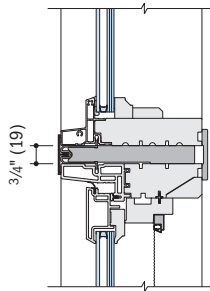
### Overall Door/Window

#### Dimension Height

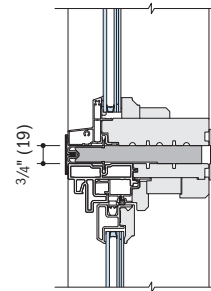
Sum of individual door/window heights plus 3/4" (19).



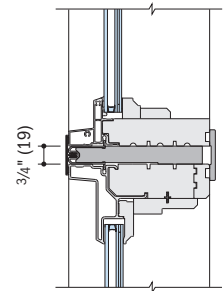
**Direct-Set Specialty over Casement**  
4 9/16" (116) Jamb Width



**Direct-Set Specialty over Awning**  
4 9/16" (116) Jamb Width



**Direct-Set Specialty over Double-Hung**  
4 9/16" (116) Jamb Width

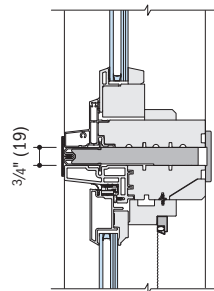


**Direct-Set Specialty over Picture**  
4 9/16" (116) Jamb Width

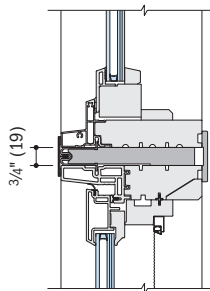
### Overall Minimum Rough

#### Opening Height

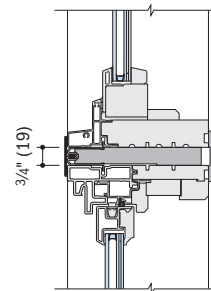
Overall door/window height dimension plus 3/4" (19).



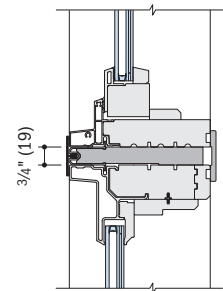
**Sash-Set Specialty over Casement**  
4 9/16" (116) Jamb Width



**Sash-Set Specialty over Awning**  
4 9/16" (116) Jamb Width

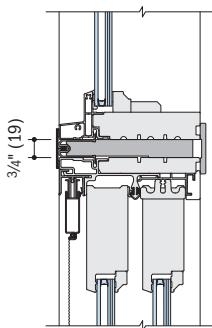


**Sash-Set Specialty over Double-Hung**  
4 9/16" (116) Jamb Width

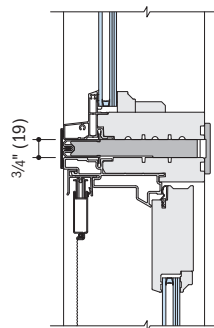


**Sash-Set Specialty over Picture**  
4 9/16" (116) Jamb Width

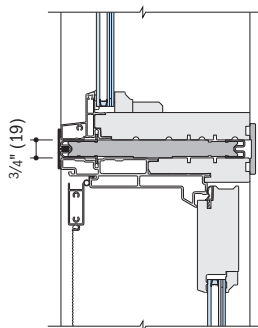
For more joining information see the combination designs section starting on page 193.



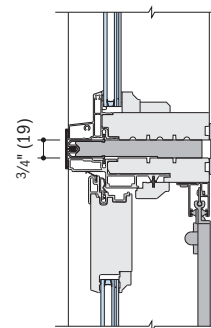
**Direct-Set Specialty over Frenchwood® Gliding Patio Door**  
4 9/16" (116) Jamb Width



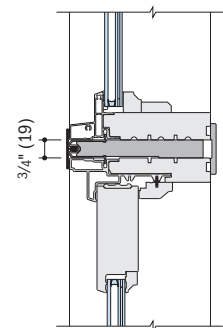
**Direct-Set Specialty over Frenchwood® Hinged Inswing Patio Door**  
4 9/16" (116) Jamb Width



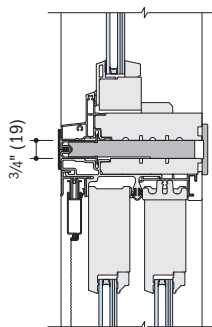
**Direct-Set Specialty over Frenchwood® Hinged Inswing Patio Door**  
6 9/16" (167) Jamb Width



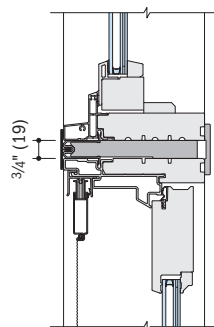
**Direct-Set Specialty over Frenchwood® Hinged Outswing Patio Door**  
4 9/16" (116) Jamb Width



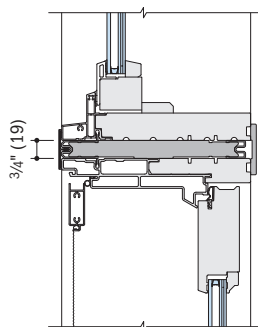
**Direct-Set Specialty over Frenchwood® Patio Door Sidelight**  
4 9/16" (116) Jamb Width



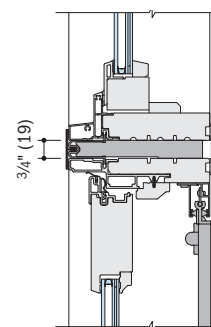
**Sash-Set Specialty over Frenchwood® Gliding Patio Door**  
4 9/16" (116) Jamb Width



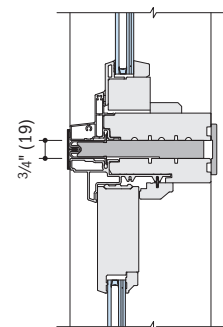
**Sash-Set Specialty over Frenchwood® Hinged Inswing Patio Door**  
4 9/16" (116) Jamb Width



**Sash-Set Specialty over Frenchwood® Hinged Inswing Patio Door**  
6 9/16" (167) Jamb Width



**Sash-Set Specialty over Frenchwood® Hinged Outswing Patio Door**  
4 9/16" (116) Jamb Width



**Sash-Set Specialty over Frenchwood® Patio Door Sidelight**  
4 9/16" (116) Jamb Width

- Light-colored areas are parts included with window. Dark-colored areas are additional Andersen® parts required to complete window assembly as shown.
- Dimensions in parentheses are in millimeters.
- **Rough openings may need to be increased to allow for use of building wraps, flashing, sill panning, brackets, fasteners or other items. See installation information on page 217.**
- Details are for illustration only and are not intended to represent product installation methods or materials. Refer to product installation guides at andersenwindows.com.
- Structural performance of any combination is only as high as the lowest structural performance of any individual window or join in the combination.



# PATIO DOORS

**CUSTOM SIZING!**  
 in 1/8" (3) increments



## SECTION REFERENCE

### Frenchwood® Gliding

- Table of Sizes..... 102–103
- Specifications ..... 103
- Grille Patterns ..... 103
- Door Details..... 104–105

### Frenchwood Hinged Inswing

- Table of Sizes..... 106–107
- Specifications ..... 108
- Grille Patterns ..... 107
- Door Details..... 109–111

### Frenchwood Hinged Outswing

- Table of Sizes..... 112–113
- Specifications ..... 114
- Grille Patterns ..... 113
- Door Details..... 115

### Frenchwood Sidelights & Transoms

- Table of Sizes..... 116–119
- Specifications ..... 118–120
- Grille Patterns ..... 121
- Sidelight &  
 Transom Details ..... 121–122
- Joining Details..... 123–126
- Custom Sizing..... 127–128
- Combination Designs ..... 193–202
- Performance Data..... 203–215
- Warranty..... 220

Dimensions in parentheses are in millimeters.

## FEATURES

### FRENCHWOOD® GLIDING PATIO DOORS

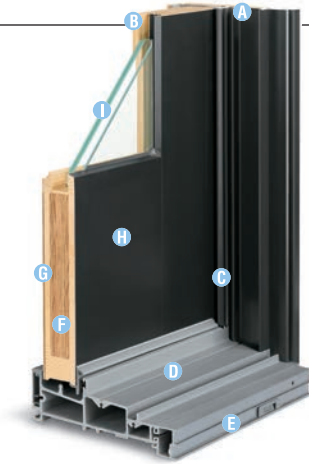
#### Frame

**A** Frame constructed with a wood core and a fiberglass exterior. This construction produces a rigid frame and a low-maintenance, durable exterior.

**B** Wood members are treated with a water-repellent preservative for long-lasting\* protection and performance.

The interior wood jamb has an extension jamb kerf, making it easy to add interior extension jambs matching wall thicknesses.

**C** The weather seal is made from a flexible polyethylene leaf with a urethane foam core on the sill and stationary side jambs, and a polypropylene fin weatherstrip on the head and operating side jambs, creating a positive seal between the frame and panels. This system provides a long-lasting,\* energy-efficient barrier against wind, water and dust.



#### Sill

**D** One-piece fiberglass design provides superior water management. The non-conductive fiberglass construction enhances energy performance, and its superior strength eliminates the need for a sill support.

Slip- and wear-resistant poly bead finish available in either neutral gray or dark bronze color.

The roller track has a stainless steel cap that resists denting for smooth, reliable operation.

**E** Factory-applied drop-nose channel attachment is standard for enhanced water performance. See page 97 for details.

#### Panel

**F** Panel stiles and rails are constructed of an engineered LVL core. This LVL core provides strength and helps prevent warping for consistent smooth operation.

**G** Interior panel surfaces are constructed from premium wood veneer available in six wood species options. All prefinished interior options use water-based paints and stains.

**H** The exterior of the wood panel is protected with a Flexacron® paint system; this stabilized polyester paint is electrostatically applied to penetrate all exterior surfaces for maximum protection and a lustrous, low-maintenance finish.

Dual corrosion-resistant\* ball-bearing rollers on door panels provide smooth gliding operation with self-contained leveling adjusters.

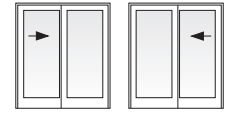
Dual ball-bearing rollers have deep grooves to increase engagement with the roller track and resist lateral movement.

A panel stiffener along the full length of the meeting stile supports the stationary panel when it is under structural pressure.

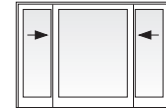
Operating panels have a full-length stiffener on the edge of the meeting stile. The panel stiffener matches the interior wood species of the patio door for enhanced appearance.

A parting stop bracket adds strength to the door by reinforcing the top of the panels.

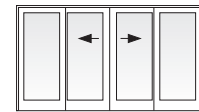
#### Multiple Panel Configurations Available



2-Panel



3-Panel



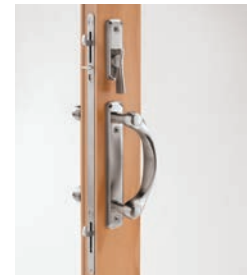
4-Panel

#### 1 Glass

See page 97 for details.

#### Hardware

##### Multi-Point Locking System



The multi-point locking system features a unique reachout design that pulls the door panel tightly closed for a weathertight seal and enhanced security.

\*Visit [andersenwindows.com/warranty](http://andersenwindows.com/warranty) or contact your Andersen supplier for details on the A-Series Limited Warranty.

"Flexacron" is a registered trademark of PPG Industries, Inc.

Dimensions in parentheses are in millimeters.



## FEATURES

### FRENCHWOOD® HINGED INSWING PATIO DOORS

#### Frame

**A** Frame constructed with a wood core and a fiberglass exterior. This construction produces a rigid frame and a low-maintenance, durable exterior.

**B** Wood members are treated with a water-repellent preservative for long-lasting\* protection and performance.

The interior wood jamb has an extension jamb kerf, making it easy to add interior extension jambs matching wall thicknesses.

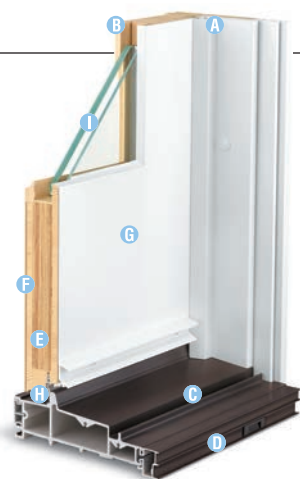
Frenchwood® hinged inswing patio doors are available in 4 3/16" (116) and 6 3/16" (167) jamb depths.

#### Sill

**C** One-piece fiberglass design provides superior water management. The non-conductive fiberglass construction enhances energy performance, and its superior strength eliminates the need for a sill support.

Slip- and wear-resistant poly bead finish available in either neutral gray or dark bronze color.

**D** Factory-applied drop-nose channel attachment is standard for enhanced water performance. See below for details.



#### Panel

**E** Panel stiles and rails are constructed of an engineered LVL core. This LVL core provides strength and helps prevent warping for consistent smooth operation.

**F** Panel interior surfaces are constructed from premium wood veneer available in six wood species options. All prefinished interior options use water-based paints and stains.

**G** The exterior of the wood panel is protected with a Flexacron® paint system; this stabilized polyester paint is electrostatically applied to penetrate all exterior surfaces for maximum protection and a lustrous, low-maintenance finish.

**H** Factory-applied, one-piece (welded corners), compression-type weatherstrip made from a durable thermoplastic material is attached directly to the panel, not the frame, creating a continuous plane around the panel to provide maximum effectiveness against air and water infiltration. This system provides a long-lasting\* energy-efficient barrier against wind, water and dust.

Hinged inswing operation panels are available in either single left- or right-hand active or two-panel active/passive jamb hinges.

#### Adjustable Hinges

Adjustable hinges have ball-bearing pivots for smooth, frictionless movement. Features easy horizontal and vertical adjustment, plus quick-release feature for easy panel removal. This release feature is ideal for transporting large units up stairs or to other hard-to-reach areas. Gold Dust finish is standard on wood interior doors. For units with a White prefinished interior, White finish hinges are standard. Also available in finishes that coordinate with hardware.



#### Glass

See below for details.

#### Hardware

##### Five-Point Locking System

On active/passive door configurations, a five-point lock features corrosion-resistant latches that engage into the sill, head jamb and passive panel for added security and performance.

Optional corrosion-resistant locking mechanism, constructed from 300 series grade stainless steel, is available and recommended for applications within two miles of the coast and other harsh environments.

## COMMON FEATURES

#### Glass

3/4" (19) impact-resistant glass construction provides industry-leading energy performance, sound control and added security.

A removable translucent film helps shield the glass from damage during delivery and construction and simplifies finishing at the jobsite.

Panels are silicone bed glazed and finished with an interior wood glass stop.

Interior wood glass stops are secured using 1 1/2" (38) 16-gauge crown staples instead

of nails. Silicone is also applied to the full perimeter of the glass on the interior side of the pane to add strength and stability.

Consult local building codes for glass most suitable to your area. High-performance glass options include:

- Low-E4® standard tempered glass (PG Upgrade)
- Low-E4 SmartSun™ standard tempered glass (PG Upgrade)
- Low-E4 Sun standard tempered glass\*\* (PG Upgrade)
- Low-E4 tempered impact-resistant glass

- Low-E4 SmartSun™ tempered impact-resistant glass
- Low-E4 Sun tempered impact-resistant glass\*\*
- Impact-resistant Monolithic Clear glass
- Impact-resistant Monolithic Gray glass\*\*

#### Drop-Nose Channel



Patent-pending drop-nose channel provides enhanced water performance without increasing interior sill height. See pages 104 and 111 for details.

\*Visit [andersenwindows.com/warranty](http://andersenwindows.com/warranty) or contact your Andersen supplier for details on the A-Series Limited Warranty.

\*\*Low-E4® Sun impact-resistant glass and impact-resistant Monolithic Gray glass each satisfy Florida Turtle Code.

Dimensions in parentheses are in millimeters.

## FEATURES

### FRENCHWOOD® HINGED OUTSWING PATIO DOORS

#### Frame

**A** Frame constructed with a wood core and a fiberglass exterior. This construction produces a rigid frame and a low-maintenance, durable exterior.

**B** Wood members are treated with a water-repellent preservative for long-lasting\* protection and performance.

The interior wood jamb has an extension jamb kerf, making it easy to add interior extension jambs matching wall thicknesses.

#### Sill

**C** One-piece non-conductive fiberglass construction enhances energy performance, and its superior strength eliminates the need for a sill support. Innovative sill design provides superior water management.

Slip- and wear-resistant poly bead finish available in either neutral gray or dark bronze color.

**D** Factory-applied drop-nose channel attachment is standard for enhanced water performance. See page 99 for details.



#### Panel

**E** Panel stiles and rails are constructed of an engineered LVL core. This LVL core provides strength and helps prevent warping for consistent smooth operation.

**F** Panel interior surfaces are constructed from premium wood veneer available in six wood species options. All prefinished interior options use water-based paints and stains.

**G** The exterior of the wood panel is protected with a Flexacron® paint system; this stabilized polyester paint is electrostatically applied to penetrate all exterior surfaces for maximum protection and a lustrous, low-maintenance finish.

**H** Factory-applied, one-piece (welded corners), compression-type weatherstrip made from a durable thermoplastic material is attached directly to the panel, not the frame, creating a continuous plane around the panel to provide maximum effectiveness against air and water infiltration. The weatherstripping creates a strong, long-lasting\* seal that stands up to harsh weather.

Hinged outswing operation panels are available in either single left- or right-hand active or two-panel active/passive jamb hinges.



Removable panels simplify finishing and allow for easy storage during construction. The panel release tabs on the hinge are covered with a cap for a clean appearance. The panels can be easily removed with the unique panel release tab on the hinge. This release feature is ideal for transporting large units up stairs or to other hard-to-reach areas.

**I** The ball-bearing hinges are covered with a corrosion-resistant powder-coat finish. Hinges are color-matched to the panel exterior and can be adjusted up/down and left/right after installation.

#### J Glass

See page 99 for details.

#### Hardware

##### Five-Point Locking System

On active/passive door configurations, a five-point lock features stainless steel latches that engage into the sill, head jamb and passive panel for added security and performance.

Optional corrosion-resistant locking mechanism, constructed of 300 series grade stainless steel, is available and recommended for applications within two miles of the coast and other harsh environments.

##### Optional Corrosion-Resistant Hinges

300 series grade stainless steel finish hinges are available and recommended for areas within two miles of the coast and other harsh environments.

\*Visit andersenwindows.com/warranty or contact your Andersen supplier for details on the A-Series Limited Warranty.

“Flexacron” is a registered trademark of PPG Industries, Inc.

Dimensions in parentheses are in millimeters.

## FEATURES

### FRENCHWOOD® PATIO DOOR SIDELIGHTS Frame

Frame constructed with a wood core and a fiberglass exterior. This construction produces a rigid frame and a low-maintenance, durable exterior.

Wood members are treated with a water-repellent preservative for long-lasting\* protection and performance.

The interior wood jamb has an extension jamb kerf, making it easy to add interior extension jambs matching wall thicknesses.

### Sill for Frenchwood Patio Door Sidelights

One-piece fiberglass design provides superior water management. The non-conductive fiberglass construction enhances energy performance, and its superior strength eliminates the need for a sill support.

Factory-applied drop-nose channel attachment is standard for enhanced water performance. See below for details.

Slip- and wear-resistant poly bead finish available in either neutral gray or dark bronze color.

### Panel

Panel stiles and rails are constructed of an engineered LVL core. This LVL core provides strength and helps prevent warping for consistent smooth operation.



Panel interior surfaces are constructed from premium wood veneer available in six wood species options. All prefinished interior options use water-based paints and stains.

The exterior of the wood panel is protected with a Flexacron® paint system; this stabilized polyester paint is electrostatically applied to penetrate all exterior surfaces for maximum protection and a lustrous, low-maintenance finish.

### Glass

See below for details.

### FRENCHWOOD® PATIO DOOR TRANSOMS Frame

Frame constructed with a wood core and a fiberglass exterior. This construction produces a rigid frame and a low-maintenance, durable exterior.

Wood members are treated with a water-repellent preservative for long-lasting\* protection and performance.

The interior wood jamb has an extension jamb kerf, making it easy to add interior extension jambs matching wall thicknesses.

### Sash for Frenchwood Patio Door Transoms

Available in Direct-Set or Sash-Set construction. Direct-Set transoms have glass glazed directly into the frame and maximize glass area. Sash-Set transoms feature a stationary sash and provide common sight lines with A-Series patio doors.

Frenchwood patio door transoms feature elegant lines that match the Frenchwood patio doors. Available in six wood species options. All prefinished interior options use water-based paints and stains.

### Glass

See below for details.

## COMMON FEATURES

### Glass

¾" (19) impact-resistant glass construction provides industry-leading energy performance, sound control and added security.

A removable translucent film helps shield the glass from damage during delivery and construction and simplifies finishing at the jobsite.

Panels are silicone bed glazed and finished with an interior wood glass stop.

Interior wood glass stops are secured using 1 ½" (38) 16-gauge crown staples instead

of nails. Silicone is also applied to the full perimeter of the glass on the interior side of the pane to add strength and stability.

Consult local building codes for glass most suitable to your area. High-performance glass options include:

- Low-E4® standard tempered glass (PG Upgrade)
- Low-E4 SmartSun™ standard tempered glass (PG Upgrade)
- Low-E4 Sun standard tempered glass\*\* (PG Upgrade)
- Low-E4 tempered impact-resistant glass
- Low-E4 SmartSun tempered impact-resistant glass
- Low-E4 Sun tempered impact-resistant glass\*\*
- Impact-resistant Monolithic Clear glass
- Impact-resistant Monolithic Gray glass\*\*

### Drop-Nose Channel



Patent-pending drop-nose channel provides enhanced water performance without increasing interior sill height. See pages 104 and 111 for details.

\*Visit [andersenwindows.com/warranty](http://andersenwindows.com/warranty) or contact your Andersen supplier for details on the A-Series Limited Warranty.

\*\*Low-E4® Sun impact-resistant glass and impact-resistant Monolithic Gray glass each satisfy Florida Turtle Code.

Dimensions in parentheses are in millimeters.

## EXTERIOR



White Canvas Sandtone Prairie Grass Terratone Forest Green



Dove Gray Dark Bronze Cocoa Bean Red Rock Black

## HARDWARE FINISHES



Antique Brass Black Bright Brass Brushed Chrome Distressed Bronze Distressed Nickel



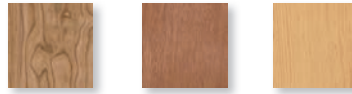
Gold Dust Oil Rubbed Bronze Polished Chrome Satin Nickel Stone White

## INTERIOR

### INTERIOR WOOD SPECIES



Pine Maple Oak



Cherry (Unfinished only) Mahogany\* (Unfinished only) Vertical Grain Douglas Fir (Unfinished only)

### PAINTED INTERIORS



White Birch Bark



Primed

### FACTORY-FINISHED INTERIORS



Clear Coat Honey Cinnamon Russet Mocha Espresso

Naturally occurring variations in grain, color and texture of wood make each window one of a kind. All wood interiors are unfinished unless a finish is specified.

## HARDWARE



**YUMA®**

Distressed Bronze  
**Distressed Nickel**



**ENCINO®**

**Distressed Bronze**  
Distressed Nickel



**ANVERS®**

Bright Brass  
Oil Rubbed Bronze  
**Satin Nickel**



**NEWBURY®**

Antique Brass  
Bright Brass  
Brushed Chrome  
**Oil Rubbed Bronze**  
Polished Chrome  
Satin Nickel



**COVINGTON™**

Antique Brass  
**Bright Brass**  
Oil Rubbed Bronze



**WHITMORE®**

**Antique Brass**  
Bright Brass  
Oil Rubbed Bronze  
Satin Nickel



**ALBANY**

Black  
**Gold Dust**  
Stone  
White



**TRIBECA®**

Stone  
**White**

*Bold name denotes finish shown.*

\*Actual wood is Sapele, a non-endangered species of mahogany grown in Africa, with color and characteristics similar to American mahogonies.

Distressed Bronze and Oil Rubbed Bronze are "living" finishes that will change with time and use.

Printing limitations prevent exact duplication of colors and finishes. See your Andersen supplier for actual color and finish samples.

## ACCESSORIES

### Frame

#### Extension Jamb

Available in oak, pine and maple, precut to fit the unit. Available in 1/16" (1.5) increments up to 7 1/8" (181) and can be prefinished to match the interior finish of the unit. This option is also available factory applied.

#### Threshold for Frenchwood® Gliding and Hinged Inswing Patio Doors



An oak or maple threshold is available for finishing the interior of the sill on Frenchwood® gliding and hinged inswing patio doors.

#### Sill Step for Frenchwood Hinged Outswing Patio Doors

The Frenchwood hinged outswing door offers an optional oak or maple sill step.

#### Remodeler Sill Clip



Allows for easy installation in replacement applications with a finished interior floor. This clip fastens to the subfloor and the sill snaps into the clip, providing a secured structural installation.

### Hardware

#### Exterior Keyed Lock



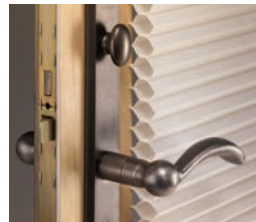
A six-pin exterior key cylinder lock is available for all patio doors in styles and finishes that coordinate with hardware. This lock allows the patio door to be locked and unlocked from the exterior.

#### Auxiliary Foot Lock for Frenchwood Gliding Patio Doors



Provides an extra measure of security when the door is in a locked position. There can be two lock locations; fully closed panel or partially open provides a secure venting position. Available in all hardware finishes.

#### Handle Extension Kit for Frenchwood Hinged Inswing and Outswing Patio Doors



Extends interior door handle an additional 1" (25) from the door panel to accommodate interior blinds or shades. Kit includes one handle extender and spindle. A second extender may be added to the spindle to increase the length an additional 1" (25) [2" (51) total extension].

#### Strike Plate Extensions

Bright brass, antique brass, polished chrome, oil rubbed bronze, brushed chrome and satin nickel strike plate extensions are available for single-panel hinged doors.

Exterior extension jamb system is available for the following wall thicknesses:

- 5 1/4" (133)
- 6 1/16" (167)
- 7 1/16" (192)

#### Construction Lock for Frenchwood Hinged Inswing and Outswing Patio Doors



This hardware can be used to help secure the jobsite during the construction phase of the project. It features an undersized escutcheon plate, which makes on-site finishing easier.

### Glass

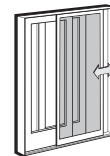
#### Andersen® Art Glass

Available for PG upgrade units only. Andersen art glass comes in a variety of original patterns, including four *Frank Lloyd Wright® Series* designs. Visit [andersenwindows.com/artglass](http://andersenwindows.com/artglass) for complete details on Andersen art glass and pattern information.

#### Insect Screens

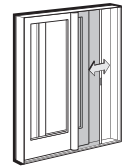
All insect screens have a long-lasting\* fiberglass screen cloth with a charcoal finish and are color matched to the exterior of your door unless otherwise specified.

#### Gliding and Top-Hung Insect Screen for Frenchwood Gliding and Hinged Inswing Patio Doors



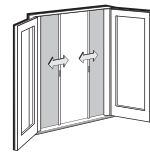
Patented square corner joints add considerable strength to the frame members. The insect screen is available in a conventional gliding or a premium top-hung gliding design. The conventional insect screen has bottom rollers with self-contained leveling adjusters. The premium top-hung insect screen has silicone-embedded glide hooks that hang from the top of the screen track, allowing it to glide smoothly and effortlessly. Alignment rollers on the bottom of the insect screen keep it in place on the track while the perimeter bug seal helps ensure insects stay on the outside.

#### Retractable Insect Screen for Frenchwood Gliding Patio Doors



The retractable insect screen is installed on the exterior of the door and opens across the width of the opening. When the insect screen is not in use, it neatly retracts into a small canister mounted on the exterior of the door. The retractable insect screen canister is available for two-panel patio doors in 11 colors. Please note, retractable screen track reduces clear opening height by 1" (25).

#### Retractable Insect Screen for Frenchwood Hinged Outswing Patio Doors



The retractable insect screen is installed on the interior of the door across the width of the opening. When the insect screen is not in use, it neatly retracts into small canisters mounted on each side of the door. Retractable insect screens are available for single-panel and two-panel doors with White, Gold Dust, pine, oak and maple finishes and six stains to match the interior of your door. Please note, retractable screen track reduces clear opening height by 1" (25).

#### Hinged Insect Screen for Frenchwood Hinged Inswing Patio Doors



Available for single-panel doors.

#### Double-Hinged Insect Screen for Frenchwood Hinged Inswing Patio Doors



Available for two-panel double-jamb hinged doors.

### Grilles

Grilles are available in a variety of configurations and widths. For double-hung grille patterns see pages 103, 107, 113 and 122.

### Exterior Trim

This product is available with Andersen® Exterior Trim. See pages 129-136 for details.

\*Visit [andersenwindows.com/warranty](http://andersenwindows.com/warranty) or contact your Andersen supplier for details on the A-Series Limited Warranty.

Dimensions in parentheses are in millimeters.

Note: Andersen® patio doors are not intended for use as entrance doors.

"Frank Lloyd Wright" is a registered trademark of the Frank Lloyd Wright Foundation.

"Delrin" is a registered trademark of E.I. du Pont de Nemours and Company.



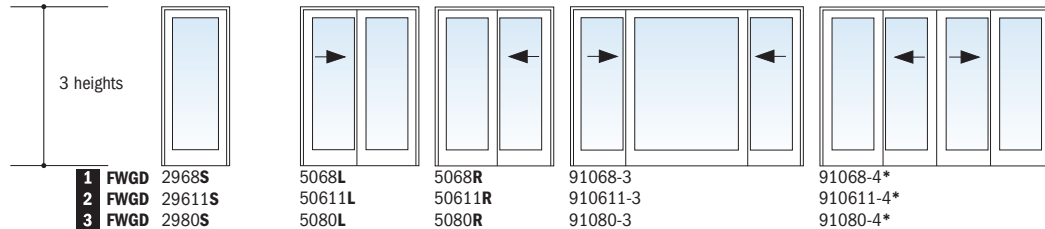
## Table of Frenchwood® Gliding Patio Door Sizes

Scale 1/8" (3) = 1'-0" (305) – 1:96

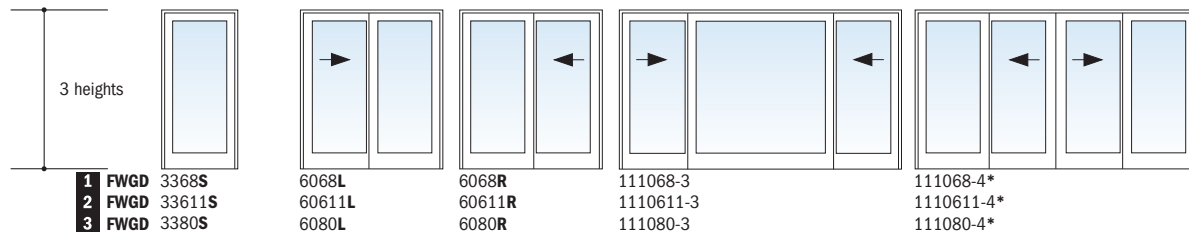
Door Dimension	2'-8 3/8" (822)	4'-11 1/4" (1505)	4'-11 1/4" (1505)	9'-9" (2972)	9'-9" (2972)
<b>Minimum Rough Opening</b>	2'-9" (838)	5'-0" (1524)	5'-0" (1524)	9'-10" (2997)	9'-10" (2997)
Unobstructed Glass (single panel only)	21 1/8" (537)	21 1/8" (537)	21 1/8" (537)	21 1/8" (537)   52" (1321)   21 1/8" (537)	21 1/8" (537)



**Custom-size doors are available in 1/8" (3) increments.** See page 127 for custom sizes and specifications.

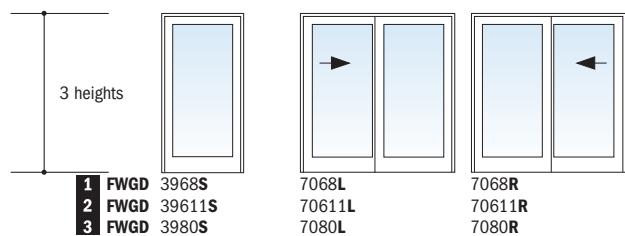


Door Dimension	3'-2 3/8" (974)	5'-11 1/4" (1810)	5'-11 1/4" (1810)	11'-9" (3581)	11'-9" (3581)
<b>Minimum Rough Opening</b>	3'-3" (991)	6'-0" (1829)	6'-0" (1829)	11'-10" (3606)	11'-10" (3606)
Unobstructed Glass (single panel only)	27 1/8" (689)	27 1/8" (689)	27 1/8" (689)	27 1/8" (689)   64" (1626)   27 1/8" (689)	27 1/8" (689)



Door Dimension	3'-8 3/8" (1126)	6'-11 1/4" (2114)	6'-11 1/4" (2114)
<b>Minimum Rough Opening</b>	3'-9" (1067)	7'-0" (2133)	7'-0" (2133)
Unobstructed Glass (single panel only)	33 1/8" (841)	33 1/8" (841)	33 1/8" (841)

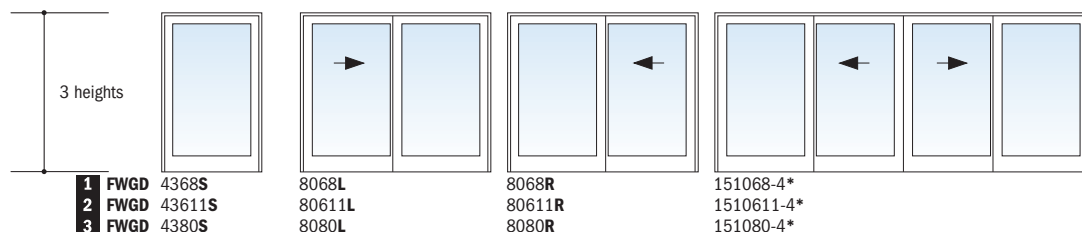
Arrow indicates direction of panel operation as viewed from the exterior.



Stationary (S) doors can be used as an individual door or as a sidelight. Single-panel Stormwatch® doors are available factory-assembled. Two-panel, three-panel and four-panel doors are not available factory-assembled.

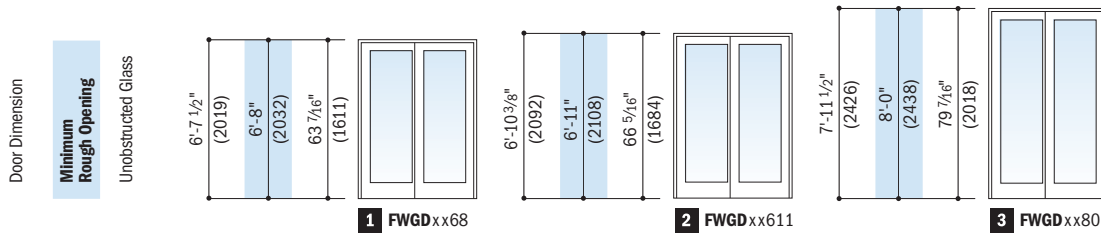
Grille patterns shown on page 103.

Door Dimension	4'-2 3/8" (1279)	7'-11 1/4" (2419)	7'-11 1/4" (2419)	15'-9" (4801)
<b>Minimum Rough Opening</b>	4'-3" (1295)	8'-0" (2438)	8'-0" (2438)	15'-10" (4826)
Unobstructed Glass (single panel only)	39 1/8" (994)	39 1/8" (994)	39 1/8" (994)	39 1/8" (994)



- "Door Dimension" always refers to outside frame to frame dimension.
- "Minimum Rough Opening" dimensions may need to be increased to allow for use of building wraps, flashing, sill panning, brackets, fasteners or other items. See page 217 for more details.
- Dimensions in parentheses are in millimeters.
- \*Add 1/4" (6) to the "Minimum Rough Opening" height dimension for four-panel doors.

Three Patio Door Heights



For all four-panel gliding patio doors add 1/4" (6) to the "Minimum Rough Opening" height dimension.

Frenchwood® Gliding Patio Door Opening and Area Specifications

Door Number	Clear Opening Sq. Ft./ (m <sup>2</sup> )	Clear Opening in Full Open Position		Glass Area Sq. Ft./ (m <sup>2</sup> )	Vent Sq. Ft./ (m <sup>2</sup> )	Overall Door Area Sq. Ft./ (m <sup>2</sup> )
		Width Inches/(mm)	Height Inches/(mm)			
FWGD5068	11.16 (1.04)	21 1/4" (540)	75 1/2" (1918)	18.61 (1.73)	11.16 (1.04)	32.71 (3.04)
FWGD50611	11.58 (1.08)	21 1/4" (540)	78 7/16" (1992)	19.46 (1.81)	11.58 (1.08)	33.89 (3.15)
FWGD5080	13.52 (1.26)	21 1/4" (540)	91 1/2" (2324)	23.31 (2.17)	13.52 (1.26)	39.29 (3.65)
FWGD6068	14.31 (1.33)	27 1/4" (692)	75 1/2" (1918)	23.90 (2.22)	14.31 (1.33)	39.34 (3.65)
FWGD60611	14.85 (1.38)	27 1/4" (692)	78 7/16" (1992)	24.98 (2.32)	14.85 (1.38)	40.76 (3.79)
FWGD6080	17.33 (1.61)	27 1/4" (692)	91 1/2" (2324)	29.93 (2.78)	17.33 (1.61)	47.25 (4.39)
FWGD7068	17.45 (1.62)	33 1/4" (845)	75 1/2" (1918)	29.19 (2.71)	17.45 (1.62)	45.96 (4.27)
FWGD70611	18.12 (1.68)	33 1/4" (845)	78 7/16" (1992)	30.51 (2.83)	18.12 (1.68)	47.62 (4.42)
FWGD7080	21.15 (1.96)	33 1/4" (845)	91 1/2" (2324)	36.55 (3.40)	21.15 (1.96)	55.21 (5.13)
FWGD8068	20.60 (1.91)	39 1/4" (997)	75 1/2" (1918)	34.47 (3.20)	20.60 (1.91)	52.59 (4.89)
FWGD80611	21.39 (1.99)	39 1/4" (997)	78 7/16" (1992)	36.03 (3.35)	21.39 (1.99)	54.49 (5.06)
FWGD8080	24.96 (2.32)	39 1/4" (997)	91 1/2" (2324)	43.17 (4.01)	24.96 (2.32)	63.17 (5.87)
FWGD91068*	11.16 (1.04)	21 1/4" (540)	75 1/2" (1918)	41.51 (3.86)	11.16 (1.04)	64.59 (6.00)
FWGD910611*	11.58 (1.08)	21 1/4" (540)	78 7/16" (1992)	43.39 (4.03)	11.58 (1.08)	66.93 (6.22)
FWGD91080*	13.52 (1.26)	21 1/4" (540)	91 1/2" (2324)	51.97 (4.83)	13.52 (1.26)	77.59 (7.21)
FWGD111068*	14.31 (1.33)	27 1/4" (692)	75 1/2" (1918)	52.08 (4.84)	14.31 (1.33)	77.84 (7.23)
FWGD1110611*	14.85 (1.38)	27 1/4" (692)	78 7/16" (1992)	54.44 (5.06)	14.85 (1.38)	80.66 (7.49)
FWGD111080*	17.33 (1.61)	27 1/4" (692)	91 1/2" (2324)	65.21 (6.06)	17.33 (1.61)	93.51 (8.69)
FWGD91068	22.60 (2.10)	43 1/16" (1094)	75 1/2" (1918)	37.22 (3.46)	22.60 (2.10)	64.59 (6.00)
FWGD910611	23.46 (2.18)	43 1/16" (1094)	78 7/16" (1992)	38.91 (3.61)	23.46 (2.18)	66.93 (6.22)
FWGD91080	27.38 (2.54)	43 1/16" (1094)	91 1/2" (2324)	46.61 (4.33)	27.38 (2.54)	77.59 (7.21)
FWGD111068	28.89 (2.68)	55 1/16" (1399)	75 1/2" (1918)	47.80 (4.44)	28.89 (2.68)	77.84 (7.23)
FWGD1110611	29.99 (2.79)	55 1/16" (1399)	78 7/16" (1992)	49.96 (4.64)	29.99 (2.79)	80.66 (7.49)
FWGD111080	35.01 (3.25)	55 1/16" (1399)	91 1/2" (2324)	59.85 (5.56)	35.01 (3.25)	93.51 (8.69)
FWGD151068	41.49 (3.85)	79 1/16" (2008)	75 1/2" (1918)	68.94 (6.40)	41.49 (3.85)	104.34 (9.69)
FWGD1510611	43.07 (4.07)	79 1/16" (2008)	78 7/16" (1992)	72.07 (6.70)	43.07 (4.00)	108.12 (10.04)
FWGD151080	50.27 (4.67)	79 1/16" (2008)	91 1/2" (2324)	86.33 (8.02)	50.27 (4.67)	125.34 (11.64)

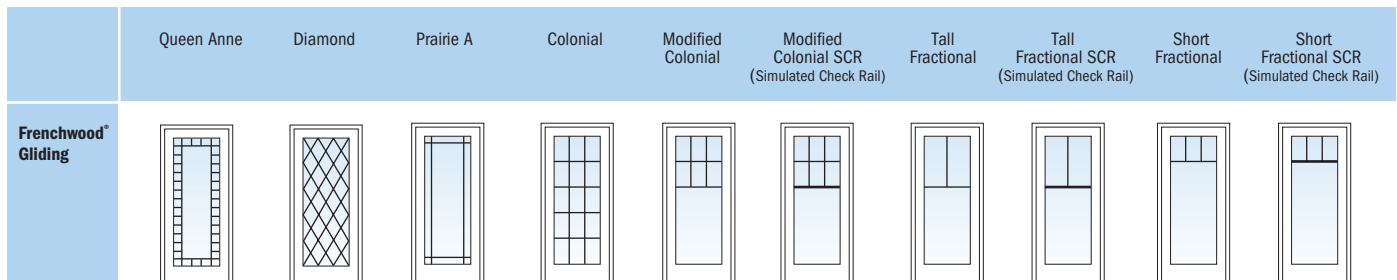
\* Dimensions in parentheses are in millimeters or square meters.  
\* Calculation for single operating panel.

Stationary Frenchwood® Gliding Patio Door Area Specifications

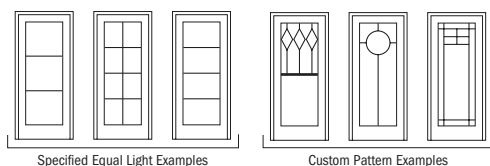
Door Number	Glass Area Sq. Ft./ (m <sup>2</sup> )	Overall Door Area Sq. Ft./ (m <sup>2</sup> )
FWGD2968S	9.31 (0.86)	17.86 (1.66)
FWGD29611S	9.73 (0.90)	18.50 (1.72)
FWGD2980S	11.65 (1.08)	21.45 (1.99)
FWGD3368S	11.95 (1.11)	21.17 (1.97)
FWGD33611S	12.49 (1.16)	21.93 (2.04)
FWGD3380S	14.96 (1.39)	21.94 (2.04)
FWGD3968S	14.59 (1.36)	24.48 (2.27)
FWGD39611S	15.25 (1.42)	25.37 (2.36)
FWGD3980S	18.27 (1.70)	29.41 (2.73)
FWGD4368S	17.24 (1.60)	27.79 (2.58)
FWGD43611S	18.02 (1.67)	28.80 (2.68)
FWGD4380S	21.58 (2.00)	33.39 (3.10)

\* Dimensions in parentheses are in square meters.

Grille Patterns



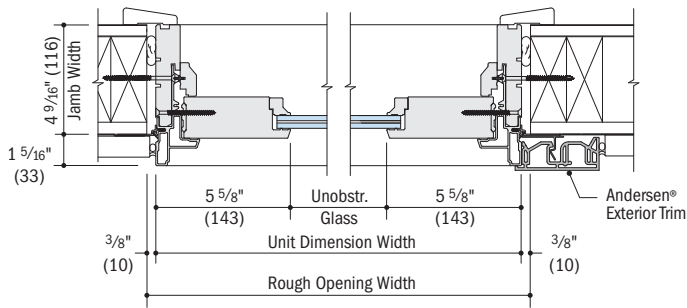
\* Andersen® Finelight™ grilles available in 3/4" (19) profile only.



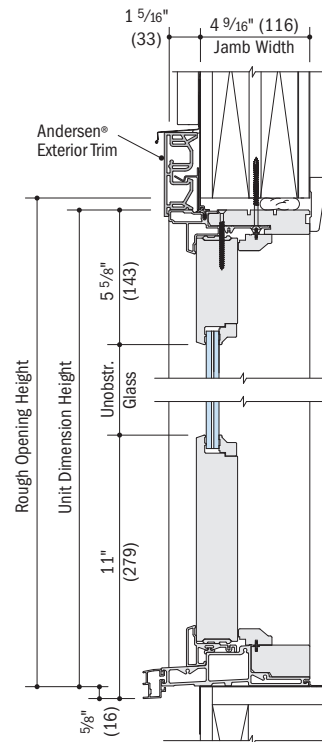
Number of lights and overall pattern varies with door size. Patterns shown may not be available for all sizes. Specified equal light and custom patterns are also available. For more information on divided light see pages 18-19 or visit [andersenwindows.com/grilles](http://andersenwindows.com/grilles).

## Frenchwood® Gliding Patio Door Details

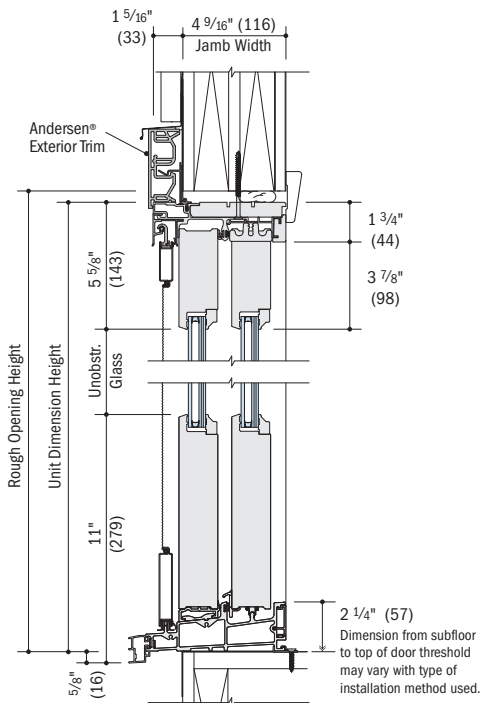
Scale 1 1/2" (38) = 1'-0" (305) – 1:8



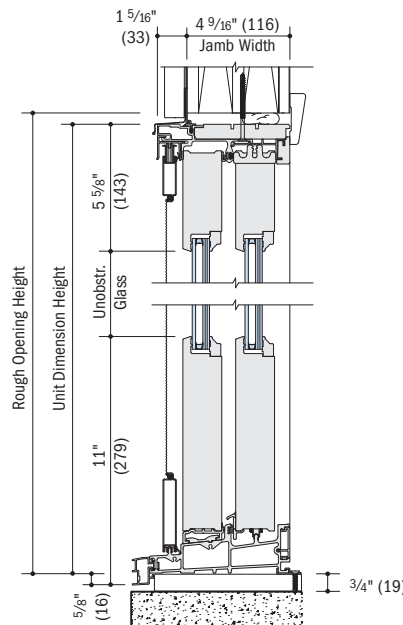
**Horizontal Section – Stationary**  
Monolithic Impact-Resistant Glass



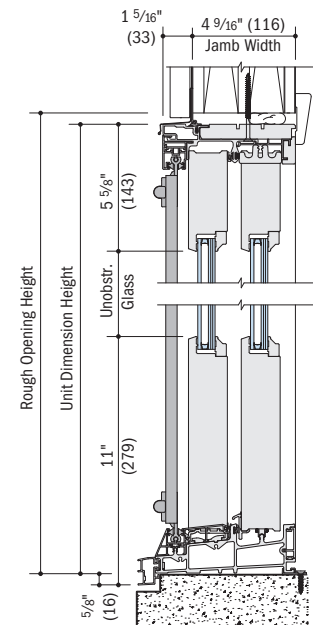
**Vertical Section – Stationary**  
Monolithic Impact-Resistant Glass



**Vertical Section – Operating**  
Gliding (top-hung) Insect Screen  
Low-E4® Impact-Resistant Glass



**Vertical Section – Operating**  
Gliding (roller) Insect Screen  
Low-E4® Impact-Resistant Glass

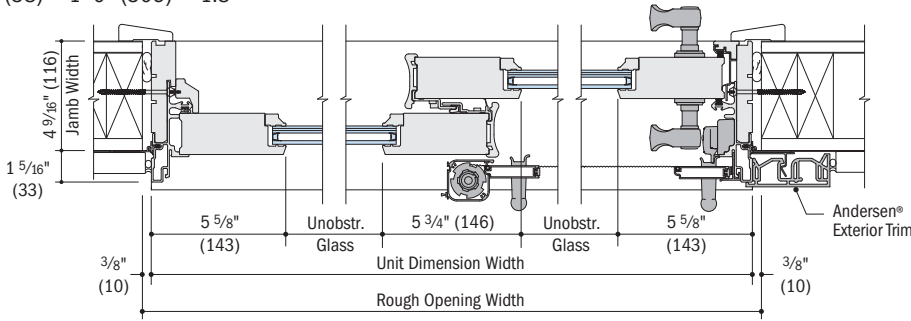


**Vertical Section – Operating**  
Retractable Insect Screen  
Low-E4® Impact-Resistant Glass

- 4 9/16" (116) jamb width measurement is from backside of installation flange.
- Light-colored areas are parts included with door. Dark-colored areas are additional Andersen® parts required to complete door assembly as shown.
- Dimensions in parentheses are in millimeters.
- **Rough openings may need to be increased to allow for use of building wraps, flashing, sill panning, brackets, fasteners or other items. See installation information on page 217.**
- Details are for illustration only and are not intended to represent product installation methods or materials. Refer to product installation guides at andersenwindows.com.

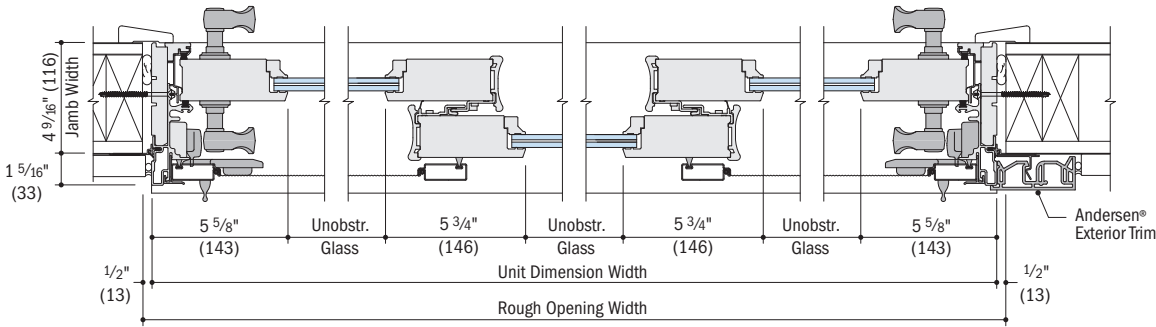
**Frenchwood® Gliding Patio Door Details**

Scale 1 1/2" (38) = 1'-0" (305) – 1:8



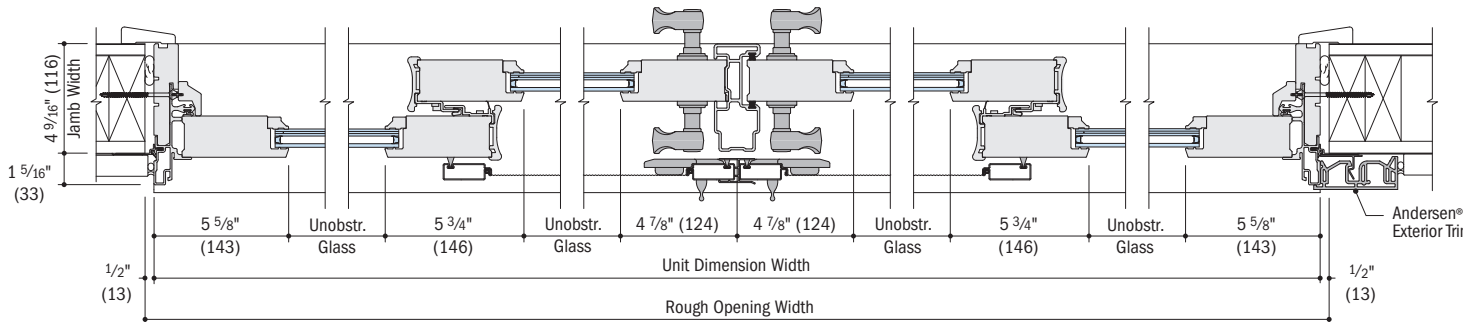
**Horizontal Section – Two-Panel**

Retractable Insect Screen  
Low-E4\* Impact-Resistant Glass



**Horizontal Section – Three-Panel**

Gliding (top-hung or roller) Insect Screen  
Monolithic Impact-Resistant Glass



**Horizontal Section – Four-Panel**

Gliding (top-hung or roller) Insect Screen  
Low-E4\* Impact-Resistant Glass

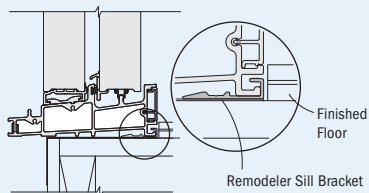
See pages 123-126 for horizontal and vertical joining details.

- 4 9/16" (116) jamb width measurement is from backside of installation flange.
- Light-colored areas are parts included with door. Dark-colored areas are additional Andersen® parts required to complete door assembly as shown.
- Dimensions in parentheses are in millimeters.
- **Rough openings may need to be increased to allow for use of building wraps, flashing, sill panning, brackets, fasteners or other items. See installation information on page 217.**
- Details are for illustration only and are not intended to represent product installation methods or materials. Refer to product installation guides at [andersenwindows.com](http://andersenwindows.com).

A-Series Frenchwood® Gliding Patio Doors

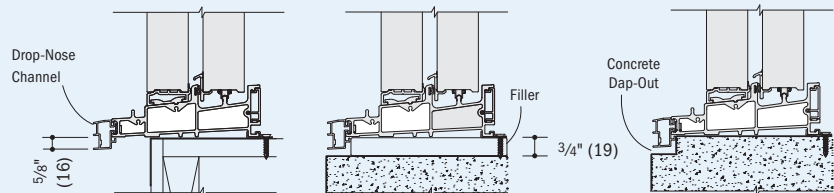
**Remodeler Sill Bracket**

Optional remodeler sill bracket is available for installations with an existing finished interior floor.



**Drop-Nose Channel**

Optional drop-nose channel is available when higher product performance is required. Wood and concrete installations shown.



## Table of Frenchwood® Hinged Inswing Patio Door Sizes

Scale 1/8" (3) = 1'-0" (305) – 1:96

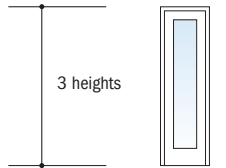
Door Dimension	2'-0 1/8" (612)	3'-11 1/4" (1200)	3'-11 1/4" (1200)
<b>Minimum Rough Opening</b>	2'-1" (634)	4'-0" (1219)	4'-0" (1219)
Unobstructed Glass (single panel only)	12 7/8" (327)	12 7/8" (327)	12 7/8" (327)



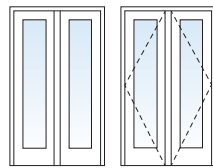
Custom-size doors are available in 1/8" (3) increments.

See page 127 for custom sizes and specifications.

Stationary (S) doors can be used as an individual door or as a sidelight. Inswing doors are available in both 4 9/16" (116) and 6 9/16" (167) jamb depths. Grille patterns shown on page 107.

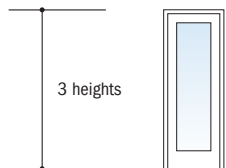


- 1 FWHID 2168S
- 2 FWHID 21611S
- 3 FWHID 2180S

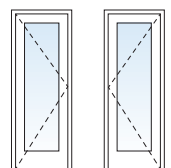


- 4068SS      4068APLR/4068PALR
- 40611SS    40611APLR/40611PALR
- 4080SS      4080APLR/4080PALR

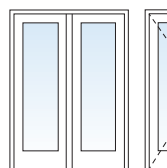
Door Dimension	2'-6 1/8" (764)	2'-6 1/8" (764)	2'-6 1/8" (764)	4'-11 1/4" (1505)	4'-11 1/4" (1505)	4'-11 1/4" (1505)	4'-11 1/4" (1505)	4'-11 1/4" (1505)	4'-11 1/4" (1505)
<b>Minimum Rough Opening</b>	2'-7" (787)	2'-7" (787)	2'-7" (787)	5'-0" (1524)	5'-0" (1524)	5'-0" (1524)	5'-0" (1524)	5'-0" (1524)	5'-0" (1524)
Unobstructed Glass (single panel only)	18 7/8" (479)	18 7/8" (479)	18 7/8" (479)	18 7/8" (479)	18 7/8" (479)	18 7/8" (479)	18 7/8" (479)	18 7/8" (479)	18 7/8" (479)



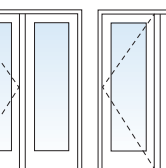
- 1 FWHID 2768S
- 2 FWHID 27611S
- 3 FWHID 2780S



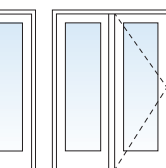
- 2768AR      2768AL
- 27611AR    27611AL
- 2780AR      2780AL



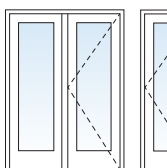
- 5068SS      5068ASR
- 50611SS    50611ASR
- 5080SS      5080ASR



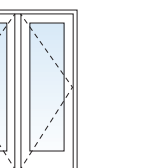
- 5068ASL      5068SAR
- 50611ASL    50611SAR
- 5080ASL      5080SAR



- 5068SAL      5068APLR/5068PALR
- 50611SAL    50611APLR/50611PALR
- 5080SAL      5080APLR/5080PALR

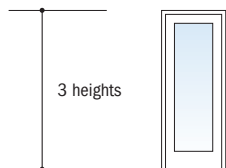


- 5068SAR      5068SAL
- 50611SAR    50611SAL
- 5080SAR      5080SAL

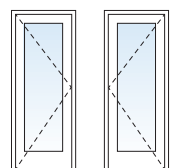


- 5068SAR      5068SAL
- 50611SAR    50611SAL
- 5080SAR      5080SAL

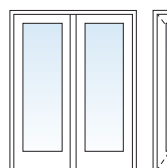
Door Dimension	2'-8 1/8" (815)	2'-8 1/8" (815)	2'-8 1/8" (815)	5'-3 1/4" (1607)	5'-3 1/4" (1607)	5'-3 1/4" (1607)	5'-3 1/4" (1607)	5'-3 1/4" (1607)	5'-3 1/4" (1607)
<b>Minimum Rough Opening</b>	2'-9" (838)	2'-9" (838)	2'-9" (838)	5'-4" (1626)	5'-4" (1626)	5'-4" (1626)	5'-4" (1626)	5'-4" (1626)	5'-4" (1626)
Unobstructed Glass (single panel only)	20 7/8" (530)	20 7/8" (530)	20 7/8" (530)	20 7/8" (530)	20 7/8" (530)	20 7/8" (530)	20 7/8" (530)	20 7/8" (530)	20 7/8" (530)



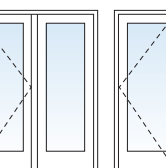
- 1 FWHID 2968S
- 2 FWHID 29611S
- 3 FWHID 2980S



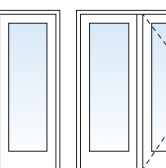
- 2968AR      2968AL
- 29611AR    29611AL
- 2980AR      2980AL



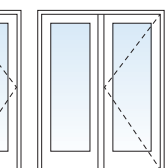
- 5468SS      5468ASR
- 54611SS    54611ASR
- 5480SS      5480ASR



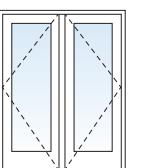
- 5468ASL      5468SAR
- 54611ASL    54611SAR
- 5480ASL      5480SAR



- 5468SAL      5468APLR/5468PALR
- 54611SAL    54611APLR/54611PALR
- 5480SAL      5480APLR/5480PALR

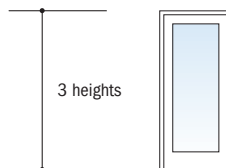


- 5468SAR      5468SAL
- 54611SAR    54611SAL
- 5480SAR      5480SAL

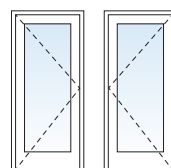


- 5468SAR      5468SAL
- 54611SAR    54611SAL
- 5480SAR      5480SAL

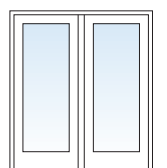
Door Dimension	3'-0 1/8" (917)	3'-0 1/8" (917)	3'-0 1/8" (917)	5'-11 1/4" (1810)	5'-11 1/4" (1810)	5'-11 1/4" (1810)	5'-11 1/4" (1810)	5'-11 1/4" (1810)	5'-11 1/4" (1810)
<b>Minimum Rough Opening</b>	3'-1" (940)	3'-1" (940)	3'-1" (940)	6'-0" (1829)	6'-0" (1829)	6'-0" (1829)	6'-0" (1829)	6'-0" (1829)	6'-0" (1829)
Unobstructed Glass (single panel only)	24 7/8" (632)	24 7/8" (632)	24 7/8" (632)	24 7/8" (632)	24 7/8" (632)	24 7/8" (632)	24 7/8" (632)	24 7/8" (632)	24 7/8" (632)



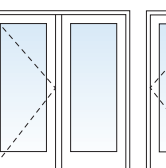
- 1 FWHID 3168S
- 2 FWHID 31611S
- 3 FWHID 3180S



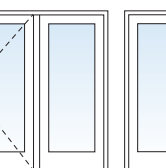
- 3168AR      3168AL
- 31611AR    31611AL
- 3180AR      3180AL



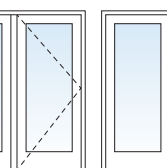
- 6068SS      6068ASR
- 60611SS    60611ASR
- 6080SS      6080ASR



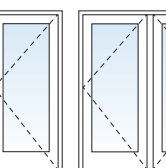
- 6068ASL      6068SAR
- 60611ASL    60611SAR
- 6080ASL      6080SAR



- 6068SAL      6068APLR/6068PALR
- 60611SAL    60611APLR/60611PALR
- 6080SAL      6080APLR/6080PALR



- 6068SAR      6068SAL
- 60611SAR    60611SAL
- 6080SAR      6080SAL

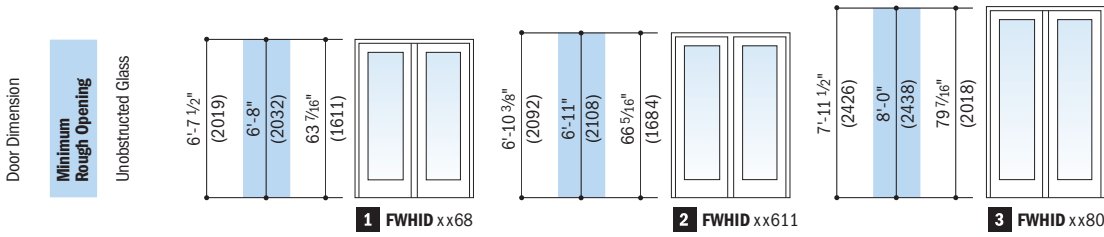


- 6068SAR      6068SAL
- 60611SAR    60611SAL
- 6080SAR      6080SAL

- "Door Dimension" always refers to outside frame to frame dimension.
- "Minimum Rough Opening" dimensions may need to be increased to allow for use of building wraps, flashing, sill panning, brackets, fasteners or other items. See installation information on page 217.
- Dimensions in parentheses are in millimeters.

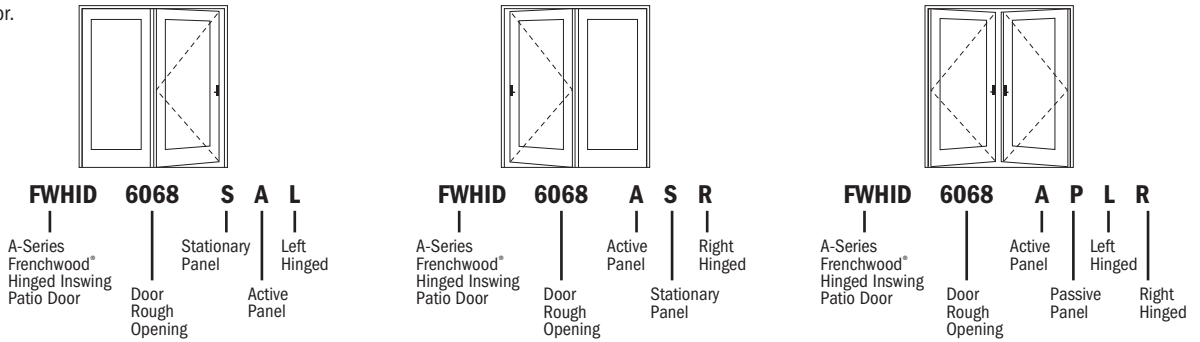


**Three Patio Door Heights**



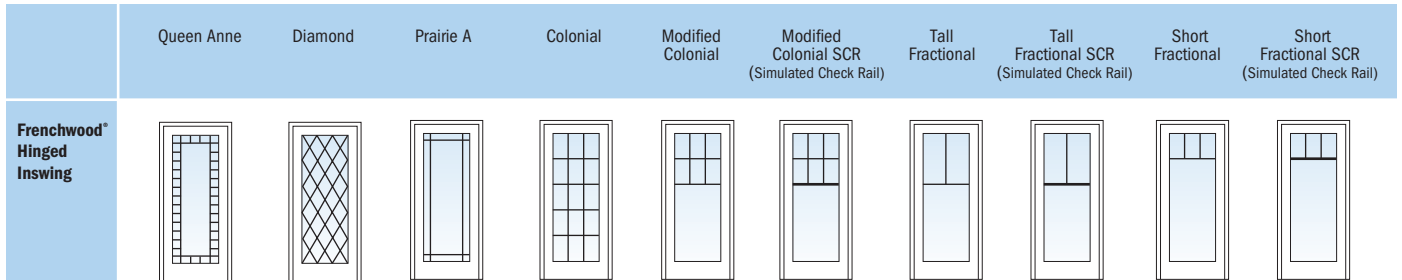
**Order Designation Description**

Viewed from the exterior.

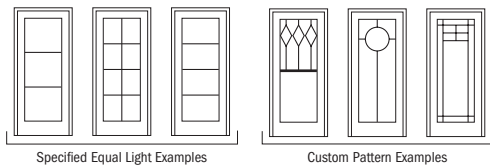


A-Series Frenchwood® Hinged Inswing Patio Doors

**Grille Patterns**



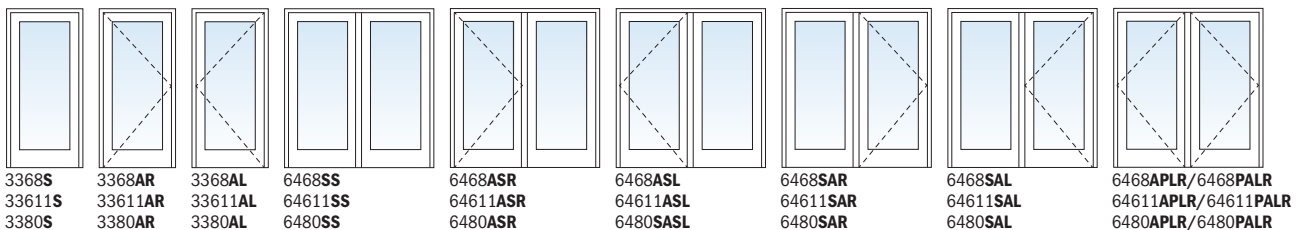
• Andersen® Finelight™ grilles available in 3/4" (19) profile only.



**Number of lights and overall pattern varies with door size. Patterns shown may not be available for all sizes.** Specified equal light and custom patterns are also available. For more information on divided light see pages 18-19 or visit [andersenwindows.com/grilles](http://andersenwindows.com/grilles).

3'-2 1/8" (968)	3'-2 1/8" (968)	3'-2 1/8" (968)	6'-3 1/4" (1911)	6'-3 1/4" (1911)	6'-3 1/4" (1911)	6'-3 1/4" (1911)	6'-3 1/4" (1911)	6'-3 1/4" (1911)
3'-3" (991)	3'-3" (991)	3'-3" (991)	6'-4" (1930)	6'-4" (1930)	6'-4" (1930)	6'-4" (1930)	6'-4" (1930)	6'-4" (1930)
26 7/8" (683)	26 7/8" (683)	26 7/8" (683)	26 7/8" (683)	26 7/8" (683)	26 7/8" (683)	26 7/8" (683)	26 7/8" (683)	26 7/8" (683)

Notes on the previous page also apply to this page.



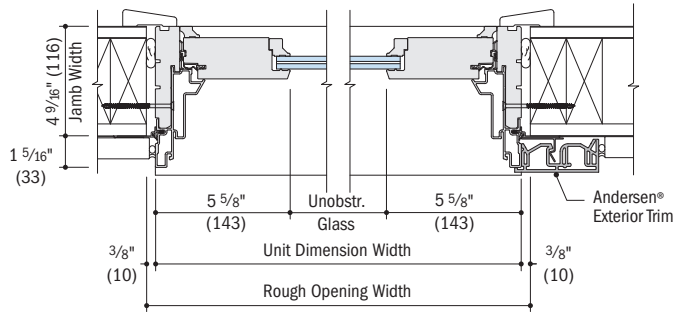
- "Door Dimension" always refers to outside frame to frame dimension.
- "Minimum Rough Opening" dimensions may need to be increased to allow for use of building wraps, flashing, sill panning, brackets, fasteners or other items. See installation information on page 217.
- Dimensions in parentheses are in millimeters.

## Frenchwood® Hinged Inswing Patio Door Opening and Area Specifications

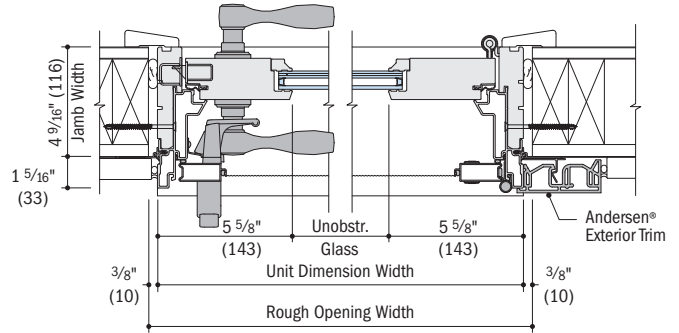
Door Number	Clear Opening Maximums				Glass Area Sq. Ft./ (m <sup>2</sup> )	Vent Sq. Ft./ (m <sup>2</sup> )	Overall Door Area Sq. Ft./ (m <sup>2</sup> )
	Clear Opening Sq. Ft./ (m <sup>2</sup> )	90° Width Inches/ (mm)	Full Width Inches/ (mm)	Height Inches/ (mm)			
<b>FWHID2168S</b>	—	—	—	—	5.67 (0.53)	—	13.30 (1.24)
<b>FWHID21611S</b>	—	—	—	—	5.93 (0.55)	—	13.78 (1.28)
<b>FWHID2180S</b>	—	—	—	—	7.10 (0.66)	—	15.98 (1.48)
<b>FWHID2768</b>	13.57 (1.26)	24 5/16" (618)	26" (660)	75 1/2" (1918)	8.31 (0.77)	13.57 (1.26)	16.61 (1.54)
<b>FWHID27611</b>	14.09 (1.31)	24 5/16" (618)	26" (660)	78 1/8" (1984)	8.69 (0.81)	14.09 (1.31)	17.22 (1.60)
<b>FWHID2780</b>	16.46 (1.53)	24 5/16" (618)	26" (660)	91 1/2" (2324)	10.41 (0.97)	16.46 (1.53)	19.96 (1.85)
<b>FWHID2968</b>	14.62 (1.36)	26 5/16" (668)	28" (711)	75 1/2" (1918)	9.20 (0.85)	14.62 (1.36)	17.72 (1.65)
<b>FWHID29611</b>	15.17 (1.41)	26 5/16" (668)	28" (711)	78 1/8" (1984)	9.61 (0.89)	15.17 (1.41)	18.36 (1.71)
<b>FWHID2980</b>	17.72 (1.65)	26 5/16" (668)	28" (711)	91 1/2" (2324)	11.52 (1.07)	17.72 (1.65)	21.28 (1.98)
<b>FWHID3168</b>	16.71 (1.55)	30 5/16" (770)	32" (813)	75 1/2" (1918)	10.96 (1.02)	16.71 (1.55)	19.93 (1.85)
<b>FWHID31611</b>	17.34 (1.61)	30 5/16" (770)	32" (813)	78 1/8" (1984)	11.45 (1.06)	17.34 (1.61)	20.65 (1.92)
<b>FWHID3180</b>	20.26 (1.88)	30 5/16" (770)	32" (813)	91 1/2" (2324)	13.72 (1.27)	20.26 (1.88)	23.94 (2.22)
<b>FWHID3368</b>	17.75 (1.65)	32 5/16" (821)	34" (864)	75 1/2" (1918)	11.84 (1.10)	17.75 (1.65)	21.03 (1.95)
<b>FWHID33611</b>	18.43 (1.71)	32 5/16" (821)	34" (864)	78 1/8" (1984)	12.38 (1.15)	18.43 (1.71)	21.79 (2.02)
<b>FWHID3380</b>	21.53 (2.00)	32 5/16" (821)	34" (864)	91 1/2" (2324)	14.82 (1.38)	21.53 (2.00)	25.26 (2.35)
<b>FWHID4068AP/PA</b>	22.54 (2.09)	18 5/16" (465)	43 1/8" (1095)	75 1/2" (1918)	11.34 (1.05)	22.54 (2.09)	26.09 (2.42)
<b>FWHID4068AP/PA*</b>	10.43 (0.97)	18 5/16" (465)	20" (508)	75 1/2" (1918)	11.34 (1.05)	10.43 (0.97)	26.09 (2.42)
<b>FWHID40611AP/PA</b>	23.40 (2.17)	18 5/16" (465)	43 1/8" (1095)	78 1/8" (1984)	11.86 (1.10)	23.40 (2.17)	27.03 (2.51)
<b>FWHID40611AP/PA*</b>	10.83 (1.01)	18 5/16" (465)	20" (508)	78 1/8" (1984)	11.86 (1.10)	10.83 (1.01)	27.03 (2.51)
<b>FWHID4080AP/PA</b>	27.33 (2.54)	18 5/16" (465)	43 1/8" (1095)	91 1/2" (2324)	14.20 (1.32)	27.33 (2.54)	31.34 (2.91)
<b>FWHID4080AP/PA*</b>	12.65 (1.18)	18 5/16" (465)	20" (508)	91 1/2" (2324)	14.20 (1.32)	12.65 (1.18)	31.34 (2.91)
<b>FWHID5068AS/SA</b>	13.57 (1.26)	24 5/16" (618)	26" (660)	75 1/2" (1918)	16.63 (1.54)	13.57 (1.26)	32.71 (3.04)
<b>FWHID5068AP/PA</b>	28.81 (2.68)	24 5/16" (618)	55 1/8" (1400)	75 1/2" (1918)	16.63 (1.54)	28.81 (2.68)	32.71 (3.04)
<b>FWHID5068AP/PA*</b>	13.57 (1.26)	24 5/16" (618)	26" (660)	75 1/2" (1918)	16.63 (1.54)	13.57 (1.26)	32.71 (3.04)
<b>FWHID50611AS/SA</b>	14.09 (1.31)	24 5/16" (618)	26" (660)	78 1/8" (1984)	17.38 (1.61)	14.09 (1.31)	33.89 (3.15)
<b>FWHID50611AP/PA</b>	29.91 (2.78)	24 5/16" (618)	55 1/8" (1400)	78 1/8" (1984)	17.38 (1.61)	29.91 (2.78)	33.89 (3.15)
<b>FWHID50611AP/PA*</b>	14.09 (1.31)	24 5/16" (618)	26" (660)	78 1/8" (1984)	17.38 (1.61)	14.09 (1.31)	33.89 (3.15)
<b>FWHID5080AS/SA</b>	16.46 (1.53)	24 5/16" (618)	26" (660)	78 1/8" (1984)	20.82 (1.93)	16.46 (1.53)	39.29 (3.65)
<b>FWHID5080AP/PA</b>	34.93 (3.25)	24 5/16" (618)	55 1/8" (1400)	91 1/2" (2324)	20.82 (1.93)	34.93 (3.25)	39.29 (3.65)
<b>FWHID5080AP/PA*</b>	16.45 (1.53)	24 5/16" (618)	26" (660)	91 1/2" (2324)	20.82 (1.93)	16.45 (1.53)	39.29 (3.65)
<b>FWHID5468AS/SA</b>	14.62 (1.36)	26 5/16" (668)	28" (711)	75 1/2" (1918)	18.39 (1.71)	14.62 (1.36)	34.92 (3.24)
<b>FWHID5468AP/PA</b>	30.90 (2.87)	26 5/16" (668)	59 1/8" (1502)	75 1/2" (1918)	18.39 (1.71)	30.90 (2.87)	34.92 (3.24)
<b>FWHID5468AP/PA*</b>	14.61 (1.36)	26 5/16" (668)	28" (711)	75 1/2" (1918)	18.39 (1.71)	14.61 (1.36)	34.92 (3.24)
<b>FWHID54611AS/SA</b>	15.17 (1.41)	26 5/16" (668)	28" (711)	78 1/8" (1984)	19.22 (1.79)	15.17 (1.41)	36.18 (3.36)
<b>FWHID54611AP/PA</b>	32.08 (2.98)	26 5/16" (668)	59 1/8" (1502)	78 1/8" (1984)	19.22 (1.79)	32.08 (2.98)	36.18 (3.36)
<b>FWHID54611AP/PA*</b>	15.17 (1.41)	26 5/16" (668)	28" (711)	78 1/8" (1984)	19.22 (1.79)	15.17 (1.41)	36.18 (3.36)
<b>FWHID5480AS/SA</b>	17.72 (1.65)	26 5/16" (668)	28" (711)	91 1/2" (2324)	23.03 (2.14)	17.72 (1.65)	41.95 (3.90)
<b>FWHID5480AP/PA</b>	37.47 (3.48)	26 5/16" (668)	59 1/8" (1502)	91 1/2" (2324)	23.03 (2.14)	37.47 (3.48)	41.95 (3.90)
<b>FWHID5480AP/PA*</b>	17.72 (1.65)	26 5/16" (668)	28" (711)	91 1/2" (2318)	23.03 (2.14)	17.72 (1.65)	41.95 (3.90)
<b>FWHID6068AS/SA</b>	16.71 (1.55)	30 5/16" (770)	32" (813)	75 1/2" (1918)	21.92 (2.04)	16.71 (1.55)	39.34 (3.65)
<b>FWHID6068AP/PA</b>	35.08 (3.26)	30 5/16" (770)	67 1/8" (1705)	75 1/2" (1918)	21.92 (2.04)	35.08 (3.26)	39.34 (3.65)
<b>FWHID6068AP/PA*</b>	16.71 (1.55)	30 5/16" (770)	32" (813)	75 1/2" (1918)	21.92 (2.04)	16.71 (1.55)	39.34 (3.65)
<b>FWHID60611AS/SA</b>	17.34 (1.61)	30 5/16" (770)	32" (813)	78 1/8" (1984)	22.91 (2.13)	17.34 (1.61)	40.76 (3.79)
<b>FWHID60611AP/PA</b>	36.42 (3.38)	30 5/16" (770)	67 1/8" (1705)	78 1/8" (1984)	22.91 (2.13)	36.42 (3.38)	40.76 (3.79)
<b>FWHID60611AP/PA*</b>	17.34 (1.61)	30 5/16" (770)	32" (813)	78 1/8" (1984)	22.91 (2.13)	17.34 (1.61)	40.76 (3.79)
<b>FWHID6080AS/SA</b>	20.26 (1.88)	30 5/16" (770)	32" (813)	91 1/2" (2324)	27.44 (2.55)	20.26 (1.88)	47.25 (4.39)
<b>FWHID6080AP/PA</b>	42.54 (3.95)	30 5/16" (770)	67 1/8" (1705)	91 1/2" (2324)	27.44 (2.55)	42.54 (3.95)	47.25 (4.39)
<b>FWHID6080AP/PA*</b>	20.26 (1.88)	30 5/16" (770)	32" (813)	91 1/2" (2324)	27.44 (2.55)	20.26 (1.88)	47.25 (4.39)
<b>FWHID6468AS/SA</b>	17.75 (1.65)	32 5/16" (821)	34" (864)	75 1/2" (1918)	23.68 (2.20)	17.75 (1.65)	41.54 (3.86)
<b>FWHID6468AP/PA</b>	37.17 (3.45)	32 5/16" (821)	71 1/8" (1807)	75 1/2" (1918)	23.68 (2.20)	37.17 (3.45)	41.54 (3.86)
<b>FWHID6468AP/PA*</b>	17.75 (1.65)	32 5/16" (821)	34" (864)	75 1/2" (1918)	23.68 (2.20)	17.75 (1.65)	41.54 (3.86)
<b>FWHID64611AS/SA</b>	18.43 (1.71)	32 5/16" (821)	34" (864)	78 1/8" (1984)	24.75 (2.30)	18.43 (1.71)	43.05 (4.00)
<b>FWHID64611AP/PA</b>	38.59 (3.59)	32 5/16" (821)	71 1/8" (1807)	78 1/8" (1984)	24.75 (2.30)	38.59 (3.59)	43.05 (4.00)
<b>FWHID64611AP/PA*</b>	18.43 (1.71)	32 5/16" (821)	34" (864)	78 1/8" (1984)	24.75 (2.30)	18.43 (1.71)	43.05 (4.00)
<b>FWHID6480AS/SA</b>	21.53 (2.00)	32 5/16" (821)	34" (864)	91 1/2" (2324)	29.65 (2.75)	21.53 (2.00)	49.91 (4.64)
<b>FWHID6480AP/PA</b>	45.07 (4.19)	32 5/16" (821)	71 1/8" (1807)	91 1/2" (2324)	29.65 (2.75)	45.07 (4.19)	49.91 (4.64)
<b>FWHID6480AP/PA*</b>	21.52 (2.00)	32 5/16" (821)	34" (864)	91 1/2" (2324)	29.65 (2.75)	21.52 (2.00)	49.91 (4.64)

• Dimensions in parentheses are in millimeters or square meters.  
 \*Calculations for passive panel in closed position.

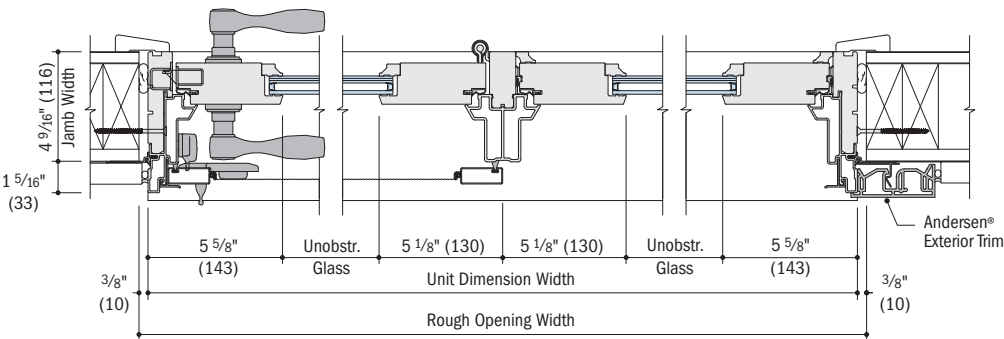
**Frenchwood® Hinged Inswing Patio Door Details — 4 9/16" Jamb Width**  
Scale 1 1/2" (38) = 1'-0" (305) — 1:8



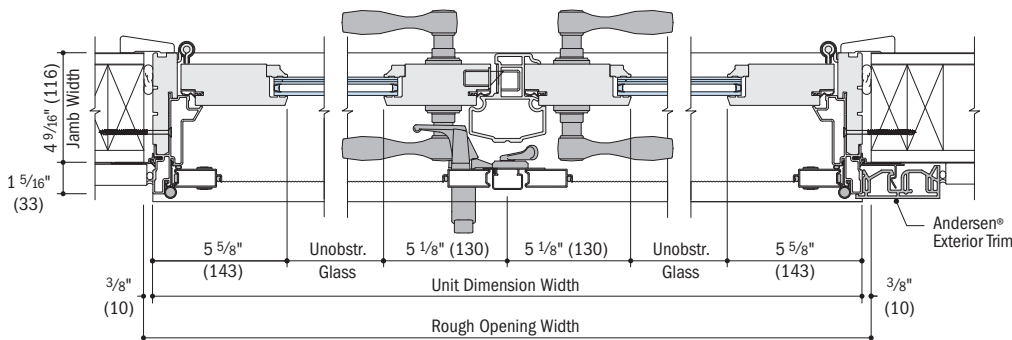
**Horizontal Section — Stationary (S)**  
Monolithic Impact-Resistant Glass



**Horizontal Section — Active (AR)**  
Hinged Insect Screen • (AL/AR)  
Low-E4\* Impact-Resistant Glass



**Horizontal Section — Two-Panel Active (ASR)**  
Gliding (top-hung or roller) Insect Screen • (ASR/ASL/SAL/SAR)  
Low-E4\* Impact-Resistant Glass



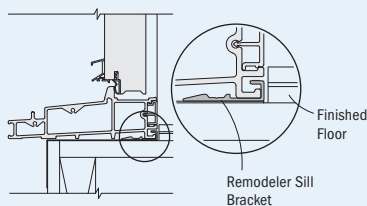
**Horizontal Section — Two-Panel Active-Passive (APLR)**  
Hinged Insect Screen • (APLR/PALR)  
Low-E4\* Impact-Resistant Glass

- 4 9/16" (116) jamb width measurement is from backside of installation flange.
- Light-colored areas are parts included with door. Dark-colored areas are additional Andersen® parts required to complete door assembly as shown.
- Dimensions in parentheses are in millimeters.
- **Rough openings may need to be increased to allow for use of building wraps, flashing, sill panning, brackets, fasteners or other items. See installation information on page 217.**
- Details are for illustration only and are not intended to represent product installation methods or materials. Refer to product installation guides at [andersenwindows.com](http://andersenwindows.com).

A-Series Frenchwood® Hinged Inswing Patio Doors

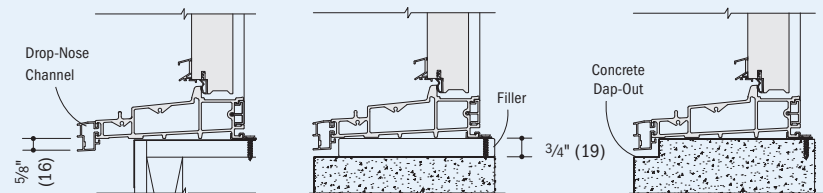
**Remodeler Sill Bracket**

Optional remodeler sill bracket is available for installations with an existing finished interior floor.



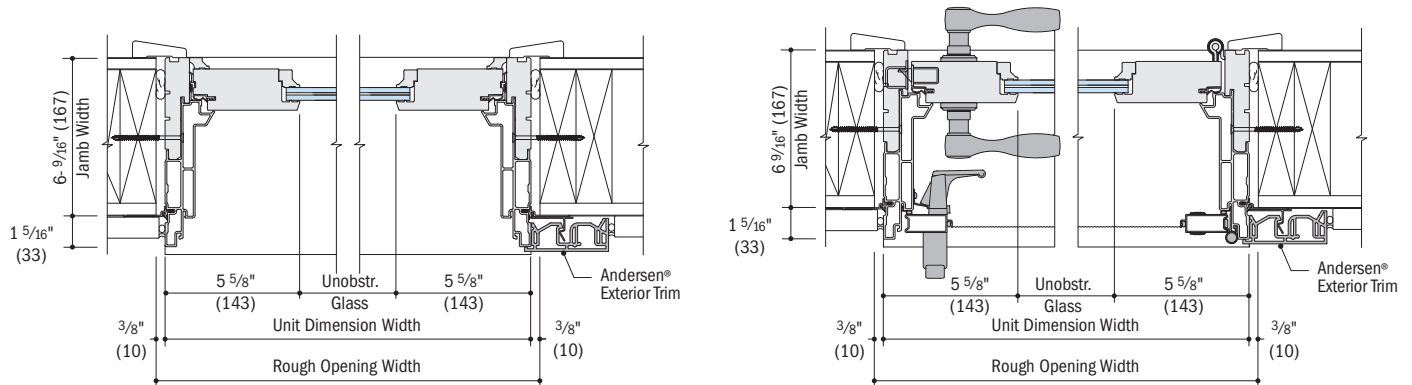
**Drop-Nose Channel**

Optional drop-nose channel is available when higher product performance is required. Wood and concrete installations shown.



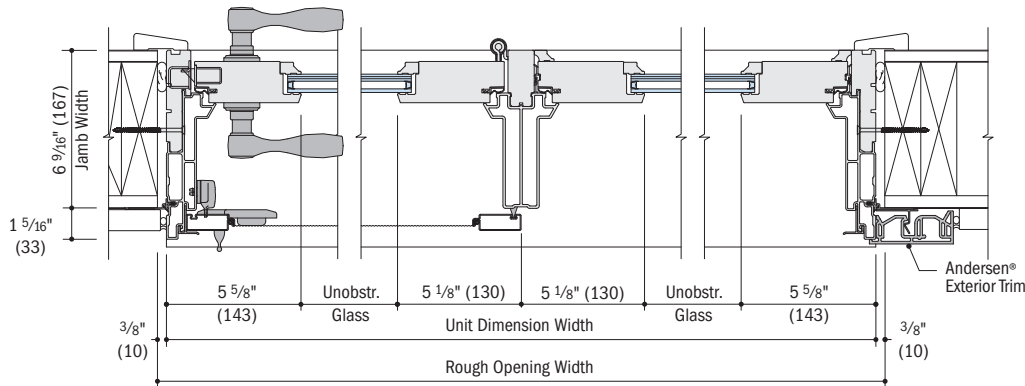
## Frenchwood® Hinged Inswing Patio Door Details – 6 9/16" Jamb Width

Scale 1 1/2" (38) = 1'-0" (305) – 1:8

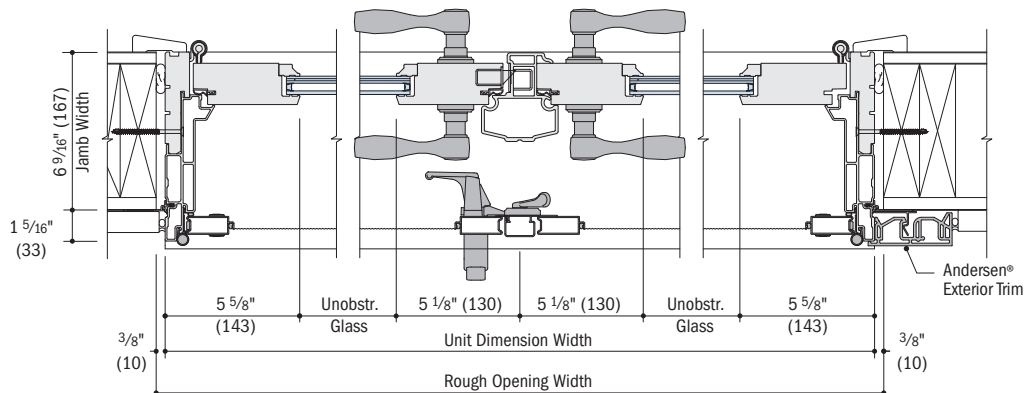


**Horizontal Section – Stationary (S)**  
Monolithic Impact-Resistant Glass

**Horizontal Section – Active (AR)**  
Hinged Insect Screen • (AL/AR)  
Monolithic Impact-Resistant Glass



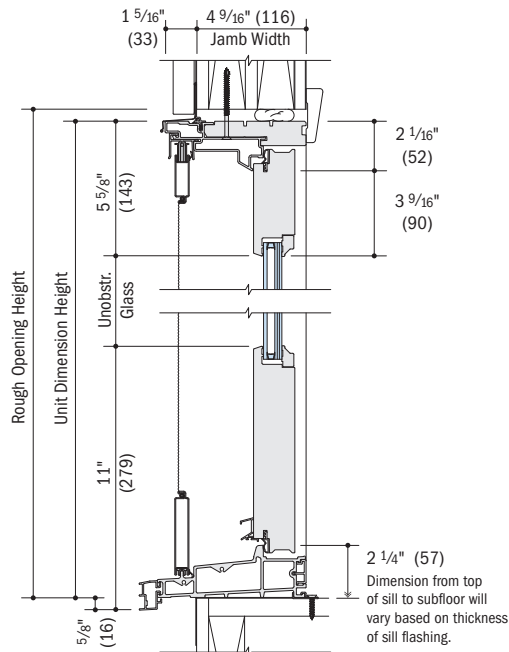
**Horizontal Section – Two-Panel Active-Stationary (ASR)**  
Gliding (top-hung or roller) Insect Screen • (ASR/ASL/SAL/SAR)  
Low-E4\* Impact-Resistant Glass



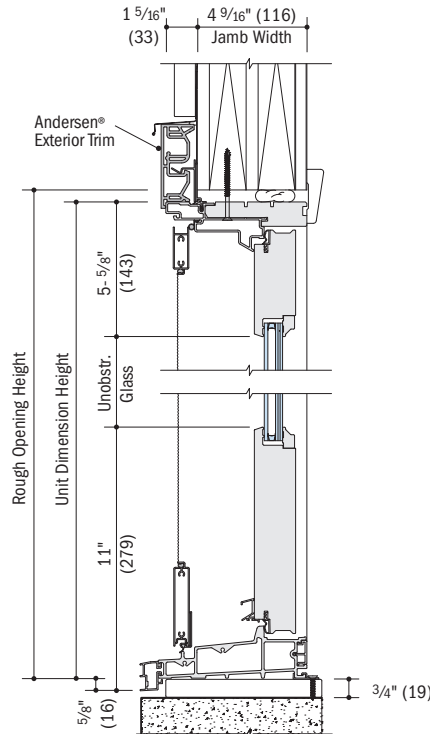
**Horizontal Section – Two-Panel Passive (APLR)**  
Hinged Insect Screen with Astragal • (APLR/PALR)  
Low-E4\* Impact-Resistant Glass

- 6 9/16" (167) jamb width measurement is from backside of installation flange.
- Light-colored areas are parts included with door. Dark-colored areas are additional Andersen® parts required to complete door assembly as shown.
- Dimensions in parentheses are in millimeters.
- **Rough openings may need to be increased to allow for use of building wraps, flashing, sill panning, brackets, fasteners or other items. See installation information on page 217.**
- Details are for illustration only and are not intended to represent product installation methods or materials. Refer to product installation guides at andersenwindows.com.

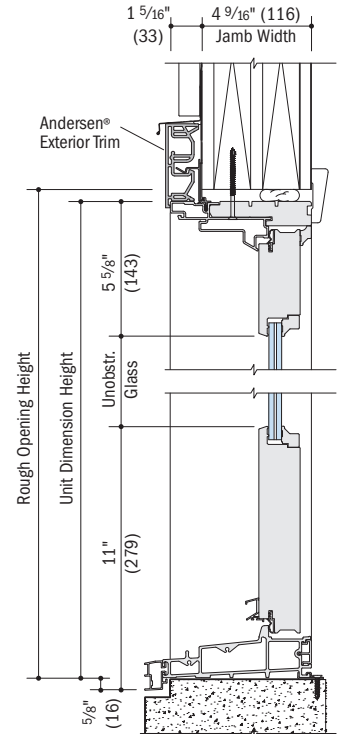
**Frenchwood® Hinged Inswing Patio Door Details**  
Scale 1 1/2" (38) = 1'-0" (305) – 1:8



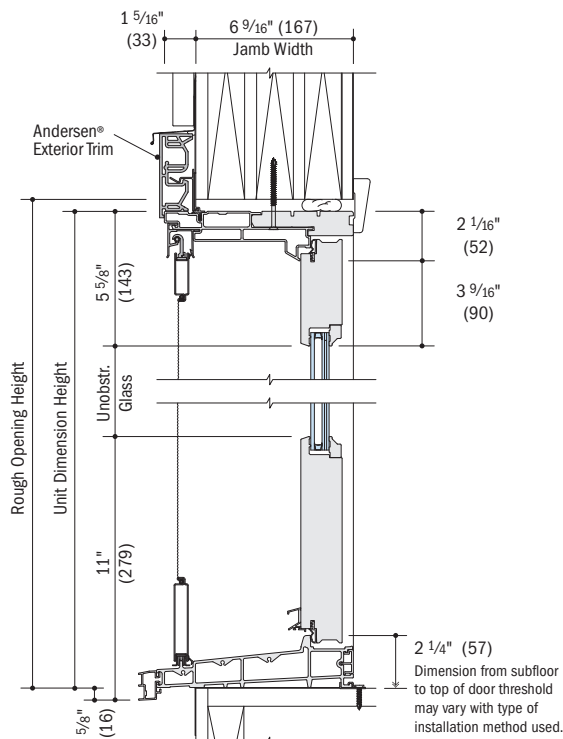
**Vertical Section – Active**  
Gliding (roller) Insect Screen  
Low-E4\* Impact-Resistant Glass



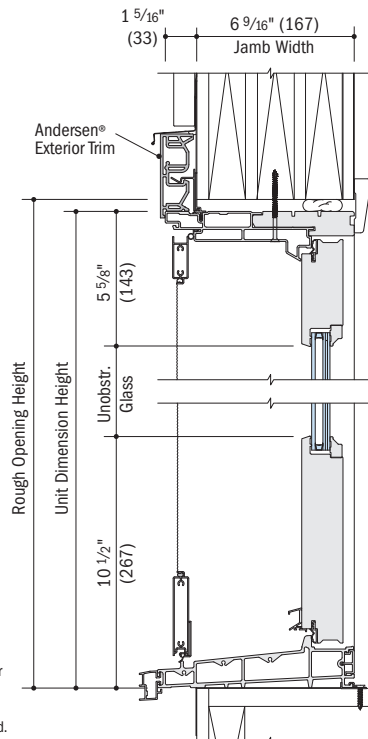
**Vertical Section – Active**  
Hinged Insect Screen  
Low-E4\* Impact-Resistant Glass



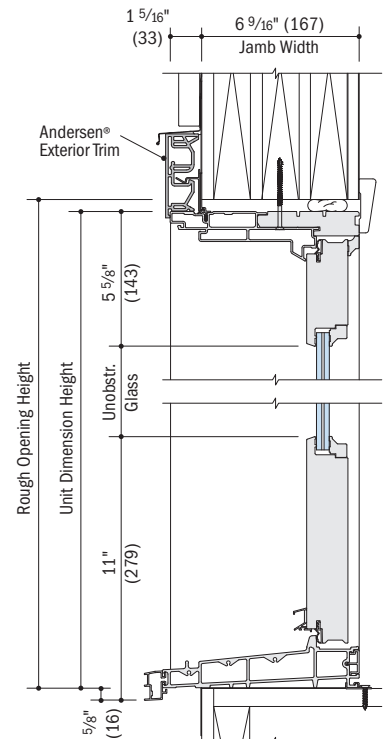
**Vertical Section – Stationary**  
Monolithic Impact-Resistant Glass



**Vertical Section – Active**  
Gliding (top-hung) Insect Screen  
Low-E4\* Impact-Resistant Glass



**Vertical Section – Active**  
Hinged Insect Screen  
Low-E4\* Impact-Resistant Glass



**Vertical Section – Stationary**  
Monolithic Impact-Resistant Glass

See pages 123-126 for horizontal and vertical joining details.

- 4 9/16" (116) and 6 9/16" (167) jamb width measurement is from backside of installation flange.
- Light-colored areas are parts included with door. Dark-colored areas are additional Andersen® parts required to complete door assembly as shown.
- Dimensions in parentheses are in millimeters.
- **Rough openings may need to be increased to allow for use of building wraps, flashing, sill panning, brackets, fasteners or other items. See installation information on page 217.**
- Details are for illustration only and are not intended to represent product installation methods or materials. Refer to product installation guides at andersenwindows.com.

A-Series  
Frenchwood® Hinged  
Inswing Patio Doors



**Table of Frenchwood® Hinged Outswing Patio Door Sizes**

Scale 1/8" (3) = 1'-0" (305) – 1:96

Door Dimension	2'-0 1/8" (612)	3'-11 1/4" (1200)	2'-6 1/8" (764)	2'-6 1/8" (764)	2'-6 1/8" (764)	4'-11 1/4" (1505)
<b>Minimum Rough Opening</b>	2'-1" (634)	4'-0" (1219)	2'-7" (787)	2'-7" (787)	2'-7" (787)	5'-0" (1524)
Unobstructed Glass (single panel only)	12 7/8" (327)	12 7/8" (327)	18 7/8" (479)	18 7/8" (479)	18 7/8" (479)	18 7/8" (479)
<b>1</b> FWHOD 2168S	4068APLR/4068PALR		2768S	2768AR	2768AL	5068APLR/5068PALR
<b>2</b> FWHOD 21611S	40611APLR/40611PALR		27611S	27611AR	27611AL	50611APLR/50611PALR
<b>3</b> FWHOD 2980S	4080APLR/4080PALR		2780S	2780AR	2780AL	5080APLR/5080PALR

Door Dimension	2'-8 1/8" (815)	2'-8 1/8" (815)	2'-8 1/8" (815)	5'-3 1/4" (1607)	3'-0 1/8" (917)	3'-0 1/8" (917)	3'-0 1/8" (917)	5'-11 1/4" (1810)
<b>Minimum Rough Opening</b>	2'-9" (838)	2'-9" (838)	2'-9" (838)	5'-4" (1626)	3'-1" (940)	3'-1" (940)	3'-1" (940)	6'-0" (1829)
Unobstructed Glass (single panel only)	20 7/8" (530)	20 7/8" (530)	20 7/8" (530)	20 7/8" (530)	24 7/8" (632)	24 7/8" (632)	24 7/8" (632)	24 7/8" (632)
<b>1</b> FWHOD 2968S	2968AR	2968AL	5468APLR/5468PALR		3168S	3168AR	3168AL	6068APLR/6068PALR
<b>2</b> FWHOD 29611S	29611AR	29611AL	54611APLR/54611PALR		31611S	31611AR	31611AL	60611APLR/60611PALR
<b>3</b> FWHOD 2980S	2980AR	2980AL	5480APLR/5480PALR		3180S	3180AR	3180AL	6080APLR/6080PALR

Door Dimension	3'-2 1/8" (968)	3'-2 1/8" (968)	3'-2 1/8" (968)	6'-3 1/4" (1911)
<b>Minimum Rough Opening</b>	3'-3" (991)	3'-3" (991)	3'-3" (991)	6'-4" (1930)
Unobstructed Glass (single panel only)	26 7/8" (683)	26 7/8" (683)	26 7/8" (683)	26 7/8" (683)
<b>1</b> FWHOD 3368S	3368AR	3368AL	6468APLR/6468PALR	
<b>2</b> FWHOD 33611S	33611AR	33611AL	64611APLR/64611PALR	
<b>3</b> FWHOD 3380S	3380AR	3380AL	6480APLR/6480PALR	



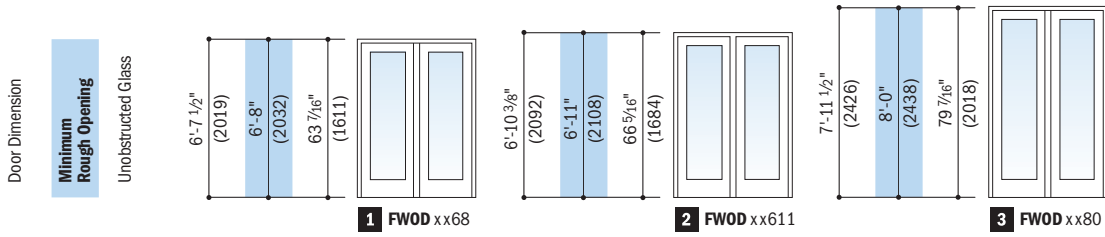
Custom-size doors are available in 1/8" (3) increments. See page 127 for custom sizes and specifications.

Stationary (S) doors can be used as an individual door or as a sidelight.

Grille patterns shown on page 113.

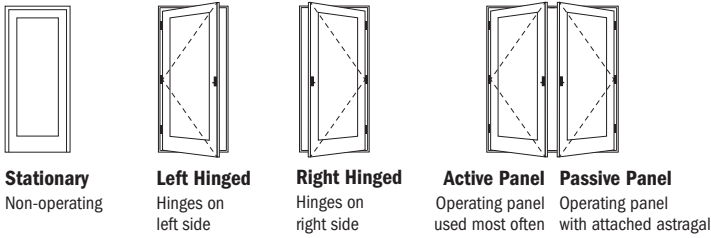
- "Window Dimension" always refers to outside frame to frame dimension.
- "Minimum Rough Opening" dimensions may need to be increased to allow for use of building wraps, flashing, sill panning, brackets, fasteners or other items. See page 217 for more details.
- Dimensions in parentheses are in millimeters.

**Three Patio Door Heights**



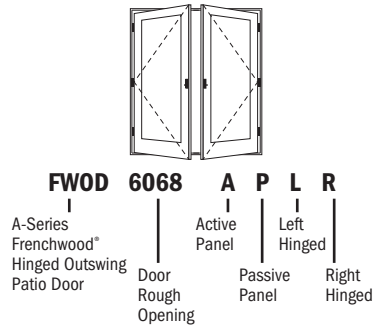
**Identification**

Viewed from the exterior.

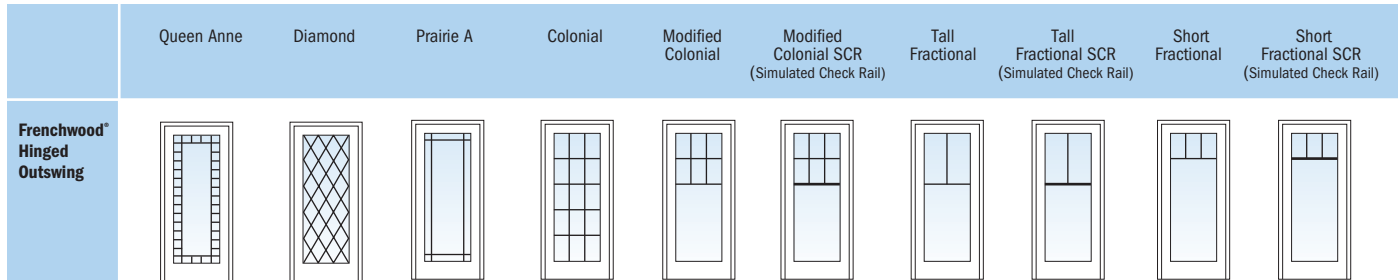


**Order Designation Description**

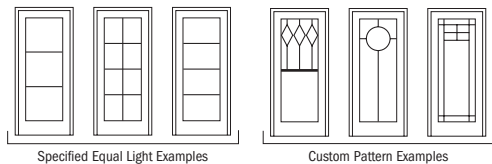
Viewed from the exterior.



**Grille Patterns**



• Andersen® Finelight™ grilles available in 3/4" (19) profile only.



**Number of lights and overall pattern varies with door size.**  
**Patterns are not available in all configurations.**

Specified equal light and custom patterns are also available. For more information on divided light see pages 18-19 or visit [andersenwindows.com/grilles](http://andersenwindows.com/grilles).

A-Series Frenchwood® Hinged Outswing Patio Doors

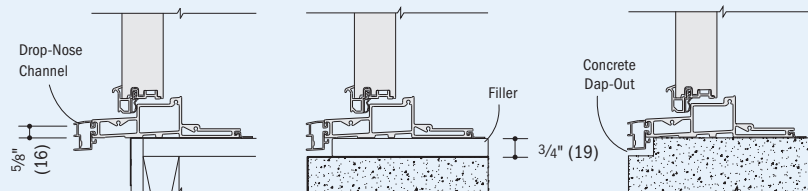
## Frenchwood® Hinged Outswing Patio Door Opening and Area Specifications

Door Number	Clear Opening Maximums				Glass Area Sq. Ft./ (m <sup>2</sup> )	Vent Sq. Ft./ (m <sup>2</sup> )	Overall Door Area Sq. Ft./ (m <sup>2</sup> )
	Clear Opening Sq. Ft./ (m <sup>2</sup> )	90° Width Inches/ (mm)	Full Width Inches/ (mm)	Height Inches/ (mm)			
FWHOD2168S	—	—	—	—	5.67 (0.53)	—	13.30 (1.24)
FWHOD21611S	—	—	—	—	5.93 (0.55)	—	13.78 (1.28)
FWHOD2180S	—	—	—	—	7.10 (0.66)	—	15.98 (1.48)
FWHOD2768	14.11 (1.31)	25 1/16" (637)	26 3/4" (679)	76 1/8" (1934)	8.31 (0.77)	14.11 (1.31)	16.61 (1.54)
FWHOD27611	14.64 (1.36)	25 1/16" (637)	26 3/4" (679)	79" (2007)	8.69 (0.81)	14.64 (1.36)	17.22 (1.60)
FWHOD2780	17.07 (1.59)	25 1/16" (637)	26 3/4" (679)	92 1/8" (2340)	10.41 (0.97)	17.07 (1.59)	19.96 (1.85)
FWHOD2968	15.17 (1.41)	27 1/16" (687)	28 3/4" (730)	76 1/8" (1934)	9.20 (0.85)	15.17 (1.41)	17.72 (1.65)
FWHOD29611	15.74 (1.46)	27 1/16" (687)	28 3/4" (730)	79" (2007)	9.61 (0.89)	15.74 (1.46)	18.36 (1.71)
FWHOD2980	18.35 (1.70)	27 1/16" (687)	28 3/4" (730)	92 1/8" (2340)	11.52 (1.07)	18.35 (1.70)	21.28 (1.98)
FWHOD3168	17.28 (1.61)	31 1/16" (789)	32 3/4" (832)	76 1/8" (1934)	10.96 (1.02)	17.28 (1.61)	19.93 (1.85)
FWHOD31611	17.93 (1.67)	31 1/16" (789)	32 3/4" (832)	79" (2007)	11.45 (1.06)	17.93 (1.67)	20.65 (1.92)
FWHOD3180	20.91 (1.94)	31 1/16" (789)	32 3/4" (832)	92 1/8" (2340)	13.72 (1.27)	20.91 (1.94)	23.94 (2.22)
FWHOD3368	18.34 (1.70)	33 1/16" (840)	34 3/4" (883)	76 1/8" (1934)	11.84 (1.10)	18.34 (1.70)	21.03 (1.95)
FWHOD33611	19.03 (1.77)	33 1/16" (840)	34 3/4" (883)	79" (2007)	12.38 (1.15)	19.03 (1.77)	21.79 (2.02)
FWHOD3380	22.19 (2.06)	33 1/16" (840)	34 3/4" (883)	92 1/8" (2340)	14.82 (1.38)	22.19 (2.06)	25.26 (2.35)
FWHOD4068AP/PA	23.18 (2.15)	40 5/8" (1032)	43 1/8" (1114)	76 1/8" (1934)	11.34 (1.05)	23.18 (2.15)	26.09 (2.42)
FWHOD4068AP/PA*	10.89 (1.01)	19" (483)	20 5/8" (524)	76 1/8" (1934)	11.34 (1.05)	10.89 (1.01)	26.09 (2.42)
FWHOD40611AP/PA	24.05 (2.23)	40 5/8" (1032)	43 1/8" (1114)	79" (2007)	11.86 (1.10)	24.05 (2.23)	27.03 (2.51)
FWHOD40611AP/PA*	11.31 (1.05)	19" (483)	20 5/8" (524)	79" (2007)	11.86 (1.10)	11.31 (1.05)	27.03 (2.51)
FWHOD4080AP/PA	28.05 (2.61)	40 5/8" (1032)	43 1/8" (1114)	92 1/8" (2340)	14.20 (1.32)	28.05 (2.61)	31.34 (2.91)
FWHOD4080AP/PA*	13.18 (1.22)	19" (483)	20 5/8" (524)	92 1/8" (2340)	14.20 (1.32)	13.18 (1.22)	31.34 (2.91)
FWHOD5068AP/PA	29.52 (2.74)	52 5/8" (1337)	55 1/8" (1419)	76 1/8" (1934)	16.63 (1.54)	29.52 (2.74)	32.71 (3.04)
FWHOD5068AP/PA*	14.07 (1.31)	25" (635)	26 5/8" (676)	76 1/8" (1934)	16.63 (1.54)	14.07 (1.31)	32.71 (3.04)
FWHOD50611AP/PA	30.63 (2.85)	52 5/8" (1337)	55 1/8" (1419)	79" (2007)	17.38 (1.61)	30.63 (2.85)	33.89 (3.15)
FWHOD50611AP/PA*	14.60 (1.36)	25" (635)	26 5/8" (676)	79" (2007)	17.38 (1.61)	14.60 (1.36)	33.89 (3.15)
FWHOD5080AP/PA	35.72 (3.32)	52 5/8" (1337)	55 1/8" (1419)	92 1/8" (2340)	20.82 (1.93)	35.72 (3.32)	39.29 (3.65)
FWHOD5080AP/PA*	17.02 (1.58)	25" (635)	26 5/8" (676)	92 1/8" (2340)	20.82 (1.93)	17.02 (1.58)	39.29 (3.65)
FWHOD5468AP/PA	31.63 (2.94)	56 5/8" (1438)	59 1/8" (1521)	76 1/8" (1934)	18.39 (1.71)	31.63 (2.94)	34.92 (3.24)
FWHOD5468AP/PA*	15.12 (1.40)	27" (686)	28 5/8" (727)	76 1/8" (1934)	18.39 (1.71)	15.12 (1.40)	34.92 (3.24)
FWHOD54611AP/PA	32.83 (3.05)	56 5/8" (1438)	59 1/8" (1521)	79" (2007)	19.22 (1.79)	32.83 (3.05)	36.18 (3.36)
FWHOD54611AP/PA*	15.69 (1.46)	27" (686)	28 5/8" (727)	79" (2007)	19.22 (1.79)	15.69 (1.46)	36.18 (3.36)
FWHOD5480AP/PA	38.28 (3.56)	56 5/8" (1438)	59 1/8" (1521)	92 1/8" (2340)	23.03 (2.14)	38.28 (3.56)	41.95 (3.90)
FWHOD5480AP/PA*	18.30 (1.70)	27" (686)	28 5/8" (727)	92 1/8" (2340)	23.03 (2.14)	18.30 (1.70)	41.95 (3.90)
FWHOD6068AP/PA	35.86 (3.33)	64 5/8" (1641)	67 1/8" (1724)	76 1/8" (1934)	21.92 (2.04)	35.86 (3.33)	39.34 (3.65)
FWHOD6068AP/PA*	17.24 (1.60)	31" (787)	32 5/8" (829)	76 1/8" (1934)	21.92 (2.04)	17.24 (1.60)	39.34 (3.65)
FWHOD60611AP/PA	37.21 (3.46)	64 5/8" (1641)	67 1/8" (1724)	79" (2007)	22.91 (2.13)	37.21 (3.46)	40.76 (3.79)
FWHOD60611AP/PA*	17.89 (1.66)	31" (787)	32 5/8" (829)	79" (2007)	22.91 (2.13)	17.89 (1.66)	40.76 (3.79)
FWHOD6080AP/PA	43.40 (4.03)	64 5/8" (1641)	67 1/8" (1724)	92 1/8" (2340)	27.44 (2.55)	43.40 (4.03)	47.25 (4.39)
FWHOD6080AP/PA*	20.86 (1.94)	31" (787)	32 5/8" (829)	92 1/8" (2340)	27.44 (2.55)	20.86 (1.94)	47.25 (4.39)
FWHOD6468AP/PA	37.97 (3.53)	68 5/8" (1743)	71 1/8" (1826)	76 1/8" (1934)	23.68 (2.20)	37.97 (3.53)	41.54 (3.86)
FWHOD6468AP/PA*	18.29 (1.70)	33" (838)	34 5/8" (879)	76 1/8" (1934)	23.68 (2.20)	18.29 (1.70)	41.54 (3.86)
FWHOD64611AP/PA	39.41 (3.66)	68 5/8" (1743)	71 1/8" (1826)	79" (2007)	24.75 (2.30)	39.41 (3.66)	43.05 (4.00)
FWHOD64611AP/PA*	18.98 (1.76)	33" (838)	34 5/8" (879)	79" (2007)	24.75 (2.30)	18.98 (1.76)	43.05 (4.00)
FWHOD6480AP/PA	45.96 (4.27)	68 5/8" (1743)	71 1/8" (1826)	92 1/8" (2340)	29.65 (2.75)	45.96 (4.27)	49.91 (4.64)
FWHOD6480AP/PA*	22.14 (2.06)	33" (838)	34 5/8" (879)	92 1/8" (2340)	29.65 (2.75)	22.14 (2.06)	49.91 (4.64)

\* Dimensions in parentheses are in millimeters or square meters.  
\* Calculations for passive panel in closed position.

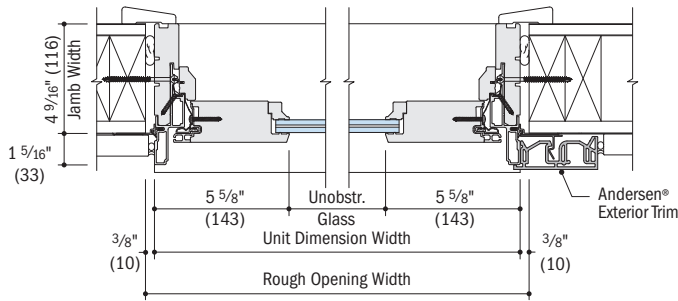
### Drop-Nose Channel

Optional drop-nose channel is available when higher product performance is required. Wood and concrete installations shown.

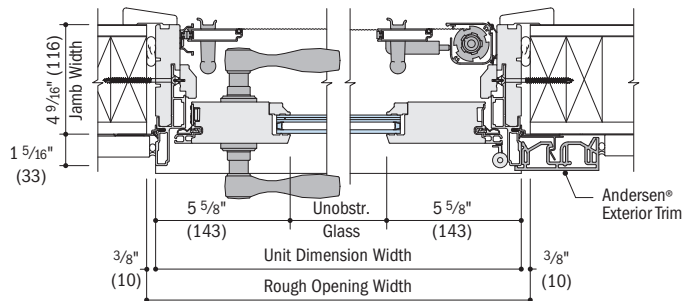


**Frenchwood® Hinged Outswing Patio Door Details**

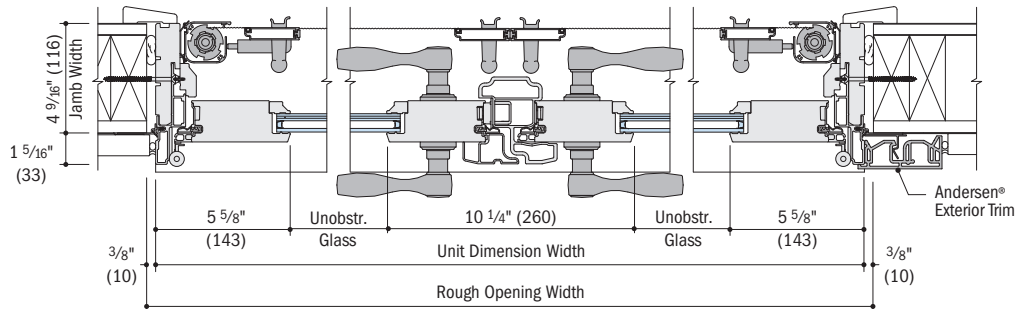
Scale 1 1/2" (38) = 1'-0" (305) – 1:8



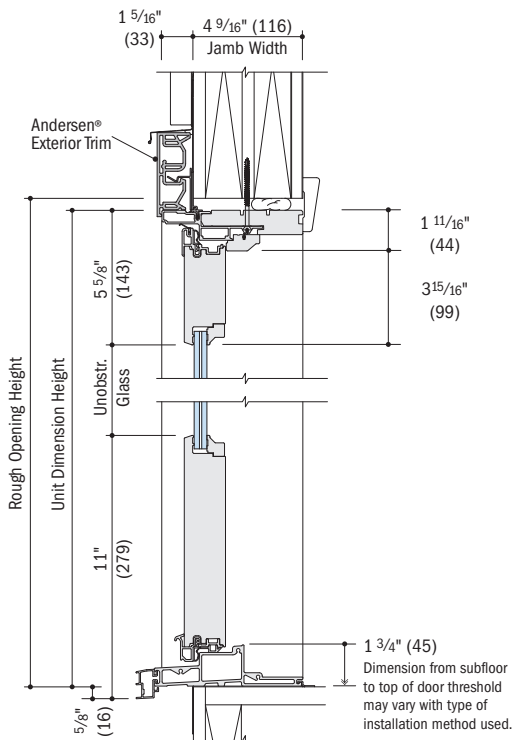
**Horizontal Section – Stationary (S)**  
Monolithic Impact-Resistant Glass



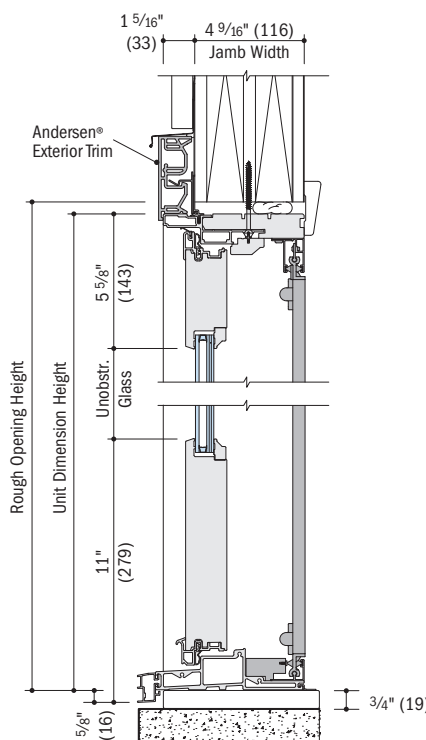
**Horizontal Section – Active (AR)**  
Retractable Insect Screen (AL/AR)  
Low-E4\* Impact-Resistant Glass



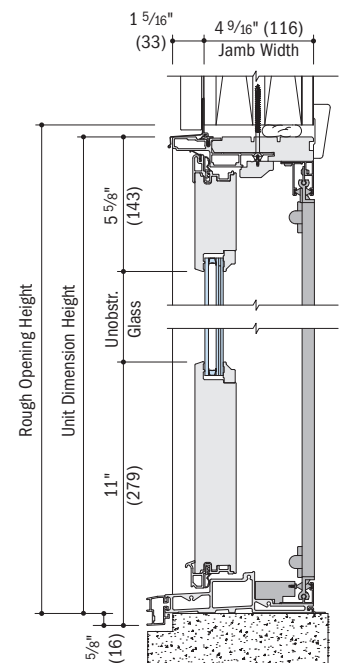
**Horizontal Section – Two-Panel Active (APLR)**  
Retractable Insect Screen (APLR/PALR)  
Low-E4\* Impact-Resistant Glass



**Vertical Section – Stationary**  
Monolithic Impact-Resistant Glass



**Vertical Section – Active**  
Retractable Insect Screen  
Low-E4\* Impact-Resistant Glass



**Vertical Section – Active**  
Retractable Insect Screen  
Low-E4\* Impact-Resistant Glass

See pages 123-126 for horizontal and vertical joining details.

- 4 9/16" (116) jamb width measurement is from backside of installation flange.
- Light-colored areas are parts included with door. Dark-colored areas are additional Andersen® parts required to complete door assembly as shown.
- Dimensions in parentheses are in millimeters.
- **Rough openings may need to be increased to allow for use of building wraps, flashing, sill panning, brackets, fasteners or other items. See installation information on page 217.**
- Details are for illustration only and are not intended to represent product installation methods or materials. Refer to product installation guides at andersenwindows.com.

A-Series  
Frenchwood® Hinged  
Outswing Patio Doors

## Table of Frenchwood® Patio Door Transoms, Sidelight Transoms, Sidelights & Venting Transom Window Sizes

Scale 1/8" (3) = 1'-0" (305) – 1:96

Transom/Sidelight Dimension	1'-2 1/4" (362)	1'-6 1/4" (464)	2'-0 1/8" (612)	2'-6 1/8" (765)	2'-8 1/8" (816)	3'-0 1/8" (918)	3'-2 1/8" (968)	3'-11 1/4" (1200)	4'-11 1/4" (1505)	5'-3 1/4" (1607)
<b>Minimum Rough Opening</b>	1'-3" (381)	1'-7" (483)	2'-1" (635)	2'-7" (787)	2'-9" (838)	3'-1" (940)	3'-3" (991)	4'-0" (1219)	5'-0" (1524)	5'-4" (1626)

**CUSTOM WIDTHS AVAILABLE** — Vary based on transom style. Sash-set only.

**CUSTOM HEIGHTS AVAILABLE** — Vary based on transom style. Sash-set only.

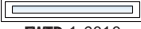


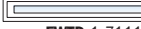
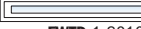
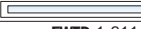
Transom/Sidelight Dimension	6 3/8" (163)	10 3/8" (264)	12 7/8" (327)	18 7/8" (479)	20 7/8" (530)	24 7/8" (632)	26 7/8" (683)	36" (915)	48" (1220)	52" (1322)
11 1/4" (286)	FWSLTD-1-1310	FWSLTD-1-1710	FWTD-1-2110	FWTD-1-2710	FWTD-1-2910	FWTD-1-3110	FWTD-1-3310	FWTD-1-4010	FWTD-1-5010	FWTD-1-5410
11 1/4" (286)	FWSTDS1310	FWSTDS1710	FWTDS2110	FWTDS2710	FWTDS2910	FWTDS3110	FWTDS3310	FWTDS4010	FWTDS5010	FWTDS5410
1'-3 1/4" (387)	FWSLTD-1-1314	FWSLTD-1-1714	FWTD-1-2114	FWTD-1-2714	FWTD-1-2914	FWTD-1-3114	FWTD-1-3314	FWTD-1-4014	FWTD-1-5014	FWTD-1-5414
1'-3 1/4" (387)								FWTD-2-4014	FWTD-2-5014	FWTD-2-5414
1'-3 1/4" (387)			ATV2114	ATV2714	ATV2914	ATV3114	ATV3314	ATV4014	ATV5014	ATV5414
1'-3 1/4" (387)	FWSTDS1314	FWSTDS1714	FWTDS2114	FWTDS2714	FWTDS2914	FWTDS3114	FWTDS3314	FWTDS4014	FWTDS5014	FWTDS5414
1'-7 1/4" (489)	FWSLTD-1-1318	FWSLTD-1-1718	FWTD-1-2118	FWTD-1-2718	FWTD-1-2918	FWTD-1-3118	FWTD-1-3318	FWTD-1-4018	FWTD-1-5018	FWTD-1-5418
1'-7 1/4" (489)								FWTD-2-4018	FWTD-2-5018	FWTD-2-5418
1'-7 1/4" (489)			ATV2118	ATV2718	ATV2918	ATV3118	ATV3318	ATV4018	ATV5018	ATV5418
1'-7 1/4" (489)	FWSTDS1318	FWSTDS1718	FWTDS2118	FWTDS2718	FWTDS2918	FWTDS3118	FWTDS3318	FWTDS4018	FWTDS5018	FWTDS5418
1'-11 1/4" (591)	FWSLTD-1-1320	FWSLTD-1-1720	FWTD-1-2120	FWTD-1-2720	FWTD-1-2920	FWTD-1-3120	FWTD-1-3320	FWTD-1-4020	FWTD-1-5020	FWTD-1-5420
1'-11 1/4" (591)								FWTD-2-4020	FWTD-2-5020	FWTD-2-5420













Notes on this page also apply to the previous page. Sidelight and transom sizes on pages 116-119.

5'-11 <sup>1</sup> / <sub>4</sub> " (1810)	6'-3 <sup>1</sup> / <sub>4</sub> " (1911)	6'-11 <sup>1</sup> / <sub>4</sub> " (2114)	7'-10 <sup>7</sup> / <sub>16</sub> " (2398)	7'-11 <sup>1</sup> / <sub>4</sub> " (2419)	8'-10 <sup>7</sup> / <sub>16</sub> " (2703)
6'-0" (1829)	6'-4" (1930)	7'-0" (2133)	7'-11" (2413)	8'-0" (2438)	8'-11" (2717)

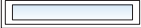
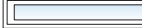
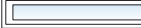

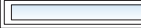

60" (1525)	64" (1626)	72" (1830)	83 <sup>3</sup> / <sub>16</sub> " (2113)	84" (2134)	95 <sup>3</sup> / <sub>16</sub> " (2418)
---------------	---------------	---------------	---	---------------	---





 <b>FWTD-1-6010</b> 24 <sup>7</sup> / <sub>8</sub> " (632)	 <b>FWTD-1-6410</b> 26 <sup>7</sup> / <sub>8</sub> " (683)	 <b>FWTD-1-7010</b>	 <b>FWTD-1-71110</b> 20 <sup>7</sup> / <sub>8</sub> " (530)	 <b>FWTD-1-8010</b>	 <b>FWTD-1-81110</b> 24 <sup>7</sup> / <sub>8</sub> " (632)
---	--	---	---	---	---

 <b>FWTD-2-6010</b> 67 <sup>5</sup> / <sub>8</sub> " (1717)	 <b>FWTD-2-6410</b> 71 <sup>5</sup> / <sub>8</sub> " (1818)	 79 <sup>5</sup> / <sub>8</sub> " (2022)	 <b>FWTD-2-71110</b> 90 <sup>3</sup> / <sub>4</sub> " (2305)	 91 <sup>5</sup> / <sub>8</sub> " (2326)	 <b>FWTD-2-81110</b> 102 <sup>3</sup> / <sub>4</sub> " (2610)
--	---	---	--	---	---

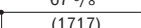
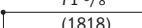
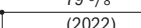
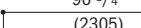
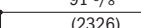
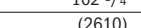
 <b>FWTDS6010</b>	 <b>FWTDS6410</b>	 <b>FWTDS7010</b>	 <b>FWTDS71110</b>	 <b>FWTDS8010</b>	 <b>FWTDS81110</b>
--	---	---	--	---	--

60" (1525)	64" (1626)	72" (1830)	83 <sup>3</sup> / <sub>16</sub> " (2113)	84" (2134)	95 <sup>3</sup> / <sub>16</sub> " (2418)
---------------	---------------	---------------	---	---------------	---







 <b>FWTD-1-6014</b> 24 <sup>7</sup> / <sub>8</sub> " (632)	 <b>FWTD-1-6414</b> 26 <sup>7</sup> / <sub>8</sub> " (683)	 <b>FWTD-1-7014</b>	 <b>FWTD-1-71114</b> 20 <sup>7</sup> / <sub>8</sub> " (530)	 <b>FWTD-1-8014</b>	 <b>FWTD-1-81114</b> 24 <sup>7</sup> / <sub>8</sub> " (632)
---	--	---	---	---	---



 <b>FWTD-2-6014</b> 64 <sup>5</sup> / <sub>8</sub> " (1641)	 <b>FWTD-2-6414</b>		 <b>FWTD-2-71114</b>		 <b>FWTD-2-81114</b>
--	---	--	--	--	--

 <b>ATV6014</b> 67 <sup>5</sup> / <sub>8</sub> " (1717)	 71 <sup>5</sup> / <sub>8</sub> " (1818)	 79 <sup>5</sup> / <sub>8</sub> " (2022)	 90 <sup>3</sup> / <sub>4</sub> " (2305)	 91 <sup>5</sup> / <sub>8</sub> " (2326)	 102 <sup>3</sup> / <sub>4</sub> " (2610)
--	---	---	---	---	--

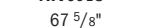
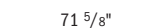


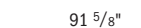
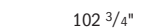
 <b>FWTDS6014</b>	 <b>FWTDS6414</b>	 <b>FWTDS7014</b>	 <b>FWTDS71114</b>	 <b>FWTDS8014</b>	 <b>FWTDS81114</b>
--	---	---	--	---	--

60" (1525)	64" (1626)	72" (1830)	83 <sup>3</sup> / <sub>16</sub> " (2113)	84" (2134)	95 <sup>3</sup> / <sub>16</sub> " (2418)
---------------	---------------	---------------	---	---------------	---

 <b>FWTD-1-6018</b> 24 <sup>7</sup> / <sub>8</sub> " (632)	 <b>FWTD-1-6418</b> 26 <sup>7</sup> / <sub>8</sub> " (683)	 <b>FWTD-1-7018</b>	 <b>FWTD-1-71118</b> 20 <sup>7</sup> / <sub>8</sub> " (530)	 <b>FWTD-1-8018</b>	 <b>FWTD-1-81118</b> 24 <sup>7</sup> / <sub>8</sub> " (632)
---	--	---	---	---	---





 <b>FWTD-2-6018</b> 64 <sup>5</sup> / <sub>8</sub> " (1641)	 <b>FWTD-2-6418</b>		 <b>FWTD-2-71118</b>		 <b>FWTD-2-81118</b>
--	---	--	--	--	--

 <b>ATV6018</b> 67 <sup>5</sup> / <sub>8</sub> " (1717)	 71 <sup>5</sup> / <sub>8</sub> " (1818)	 79 <sup>5</sup> / <sub>8</sub> " (2022)	 90 <sup>3</sup> / <sub>4</sub> " (2305)	 91 <sup>5</sup> / <sub>8</sub> " (2326)	 102 <sup>3</sup> / <sub>4</sub> " (2610)
--	---	---	---	---	--

 <b>FWTDS6018</b>	 <b>FWTDS6418</b>	 <b>FWTDS7018</b>	 <b>FWTDS71118</b>	 <b>FWTDS8018</b>	 <b>FWTDS81118</b>
--	---	---	--	---	--

60" (1525)	64" (1626)	72" (1830)	83 <sup>3</sup> / <sub>16</sub> " (2113)	84" (2134)	95 <sup>3</sup> / <sub>16</sub> " (2418)
---------------	---------------	---------------	---	---------------	---

 <b>FWTD-1-6020</b> 24 <sup>7</sup> / <sub>8</sub> " (632)	 <b>FWTD-1-6420</b> 26 <sup>7</sup> / <sub>8</sub> " (683)	 <b>FWTD-1-7020</b>	 <b>FWTD-1-71120</b> 20 <sup>7</sup> / <sub>8</sub> " (530)	 <b>FWTD-1-8020</b>	 <b>FWTD-1-81120</b> 24 <sup>7</sup> / <sub>8</sub> " (632)
---	--	---	---	---	---

 <b>FWTD-2-6020</b>	 <b>FWTD-2-6420</b>		 <b>FWTD-2-71120</b>		 <b>FWTD-2-81120</b>
--	---	--	--	--	--

 <b>FWTD-3-6020</b>	 <b>FWTD-3-6420</b>		 <b>FWTD-3-71120</b>		 <b>FWTD-3-81120</b>
--	---	--	--	--	--

continued on next page



Custom-size sash-set patio door transoms and sidelights are available in 1/8" (3) increments. See page 128 for custom sizes and specifications. Direct-set transoms are not available in custom sizes.

Choose direct-set transom (**FWTDS**), sash-set transom (**FWTD-1**, **FWTD-2**, **FWTD-3**), venting transom window (**ATV**), direct-set sidelight transom (**FWSTDS**), sash-set sidelight transom (**FWSLTD**) or sidelight (**FWSLD**). Sidelights are shown on the next page.

**Venting transom window must be installed to vent as shown and should not be rotated and used as a hopper.**

Grille patterns shown on page 122.

- "Window Dimension" always refers to outside frame to frame dimension.
- "Minimum Rough Opening" dimensions may need to be increased to allow for use of building wraps, flashing, sill panning, brackets, fasteners or other items. See page 217 for more details.
- Dimensions in parentheses are in millimeters.

**Table of Frenchwood® Patio Door Transoms, Sidelight Transoms, Sidelights & Venting Transom Window Sizes** (continued)

Scale 1/8" (3) = 1'-0" (305) – 1:96

Transom/Sidelight Dimension	1'-2 1/4" (362)	1'-6 1/4" (464)	2'-0 1/8" (612)	2'-6 1/8" (765)	2'-8 1/8" (816)	3'-0 1/8" (918)	3'-2 1/8" (968)	3'-11 1/4" (1200)	4'-11 1/4" (1505)	5'-3 1/4" (1607)
<b>Minimum Rough Opening</b>	1'-3" (381)	1'-7" (483)	2'-1" (635)	2'-7" (787)	2'-9" (838)	3'-1" (940)	3'-3" (991)	4'-0" (1219)	5'-0" (1524)	5'-4" (1626)

**CUSTOM WIDTHS AVAILABLE** – Vary based on transom style. Sash-set only.

**CUSTOM HEIGHTS** – Vary based on transom style. Sash-set only.

1'-11 1/4" (591)	2'-0" (610)	2'-0" (610)	16 5/8" (422)	17 5/8" (448)	23 5/8" (600)	25 5/8" (651)	29 5/8" (752)	31 5/8" (803)	40 5/8" (1032)	52 5/8" (1337)	56 5/8" (1438)		
1'-11 1/4" (591)	2'-0" (610)	2'-0" (610)	19 5/8" (498)	ATV2120	ATV2720	ATV2920	ATV3120	ATV3320	ATV4020	ATV5020	ATV5420		
10 5/8" (269)	14 5/8" (371)	20 7/16" (519)	26 7/16" (672)	28 7/16" (722)	32 7/16" (824)	34 7/16" (875)	43 5/8" (1107)	55 5/8" (1412)	59 5/8" (1514)				
FWSTDS1320	FWSTDS1720	FWSTDS2120	FWSTDS2720	FWSTDS2920	FWSTDS3120	FWSTDS3320	FWSTDS4020	FWSTDS5020	FWSTDS5420				
2'-3 1/4" (692)	2'-4" (711)	2'-4" (711)	19 3/8" (493)	6 3/8" (163)	10 3/8" (264)	12 3/8" (327)	18 7/8" (479)	20 7/8" (530)	24 7/8" (632)	26 7/8" (683)	36" (915)	48" (1220)	52" (1322)
2'-3 1/4" (692)	2'-4" (711)	2'-4" (711)	19 3/8" (493)	FWSLTD-1-1324	FWSLTD-1-1724	FWTD-1-2124	FWTD-1-2724	FWTD-1-2924	FWTD-1-3124	FWTD-1-3324	FWTD-1-4024	FWTD-1-5024	FWTD-1-5424
2'-3 1/4" (692)	2'-4" (711)	2'-4" (711)	20 5/8" (524)	12 7/8" (327)	18 7/8" (479)	20 7/8" (530)							
2'-3 1/4" (692)	2'-4" (711)	2'-4" (711)	20 5/8" (524)	FWTD-2-4024	FWTD-2-5024	FWTD-2-5424							
2'-3 1/4" (692)	2'-4" (711)	23 5/8" (599)	17 5/8" (448)	23 5/8" (600)	25 5/8" (651)	29 5/8" (752)	31 5/8" (803)	40 5/8" (1032)	52 5/8" (1337)	56 5/8" (1438)			
2'-3 1/4" (692)	2'-4" (711)	23 5/8" (599)	ATV2124	ATV2724	ATV2924	ATV3124	ATV3324	ATV4024	ATV5024	ATV5424			
10 5/8" (269)	14 5/8" (371)	20 7/16" (519)	26 7/16" (672)	28 7/16" (722)	32 7/16" (824)	34 7/16" (875)	43 5/8" (1107)	55 5/8" (1412)	59 5/8" (1514)				
FWSTDS1324	FWSTDS1724	FWSTDS2124	FWSTDS2724	FWSTDS2924	FWSTDS3124	FWSTDS3324	FWSTDS4024	FWSTDS5024	FWSTDS5424				

**CUSTOM WIDTHS** – 1'-2 1/4" to 1'-6 1/4"

**CUSTOM HEIGHTS** – 6'-6" to 7'-11 1/2"

6'-7 1/2" (2019)	6'-8" (2032)	63 7/16" (1611)	6 3/8" (163)	10 3/8" (264)	FWSLD-1-1368	FWSLD-1-1768
6'-10 3/8" (2092)	6'-11" (2108)	66 5/16" (1684)				
7'-11 1/2" (2426)	8'-0" (2438)	79 7/16" (2018)			FWSLD-1-13611	FWSLD-1-17611
					FWSLD-1-1380	FWSLD-1-1780

### Sash-Set Frenchwood® Patio Door Sidelight Transom & Transom Area Specifications

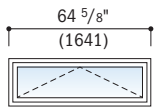
Sidelight Transom/Transom Number	Glass Area Sq. Ft./ (m <sup>2</sup> )	Overall Sidelight Transom/Transom Area Sq. Ft./ (m <sup>2</sup> )
FWSLTD1310	0.15 (0.01)	1.11 (0.10)
FWSLTD1314	0.33 (0.03)	1.51 (0.14)
FWSLTD1318	0.51 (0.05)	1.90 (0.18)
FWSLTD1320	0.69 (0.06)	2.30 (0.21)
FWSLTD1324	0.86 (0.08)	2.70 (0.25)
FWSLTD1710	0.25 (0.02)	1.43 (0.13)
FWSLTD1714	0.54 (0.05)	1.93 (0.18)
FWSLTD1718	0.82 (0.08)	2.44 (0.23)
FWSLTD1720	1.11 (0.10)	2.95 (0.27)
FWSLTD1724	1.40 (0.13)	3.45 (0.32)
FWTD-1-2110	0.30 (0.03)	1.88 (0.17)
FWTD-1-2114	0.66 (0.06)	2.55 (0.24)
FWTD-1-2118	1.02 (0.09)	3.22 (0.30)
FWTD-1-2120	1.38 (0.13)	3.89 (0.36)
FWTD-1-2124	1.73 (0.16)	4.56 (0.42)
FWTD-1-2710	0.45 (0.04)	2.35 (0.22)
FWTD-1-2714	0.97 (0.09)	3.19 (0.30)
FWTD-1-2718	1.49 (0.14)	4.02 (0.37)
FWTD-1-2720	2.02 (0.19)	4.86 (0.45)
FWTD-1-2724	2.54 (0.24)	5.69 (0.53)

Sidelight Transom/Transom Number	Glass Area Sq. Ft./ (m <sup>2</sup> )	Overall Sidelight Transom/Transom Area Sq. Ft./ (m <sup>2</sup> )
FWTD-1-2910	0.49 (0.05)	2.51 (0.23)
FWTD-1-2914	1.07 (0.10)	3.40 (0.32)
FWTD-1-2918	1.65 (0.15)	4.29 (0.40)
FWTD-1-2920	2.23 (0.21)	5.18 (0.48)
FWTD-1-2924	2.81 (0.26)	6.07 (0.56)
FWTD-1-3110	0.59 (0.05)	2.82 (0.26)
FWTD-1-3114	1.28 (0.12)	3.82 (0.35)
FWTD-1-3118	1.97 (0.18)	4.83 (0.45)
FWTD-1-3120	2.66 (0.25)	5.83 (0.54)
FWTD-1-3124	3.35 (0.31)	6.83 (0.63)
FWTD-1-3310	0.64 (0.06)	2.98 (0.28)
FWTD-1-3314	1.38 (0.13)	4.03 (0.37)
FWTD-1-3318	2.13 (0.20)	5.09 (0.47)
FWTD-1-3320	2.88 (0.27)	6.15 (0.57)
FWTD-1-3324	3.62 (0.34)	7.21 (0.67)
FWTD-1-4010	0.85 (0.08)	3.69 (0.34)
FWTD-2-4010	0.61 (0.06)	3.69 (0.34)
FWTD-1-4014	1.85 (0.17)	5.00 (0.46)
FWTD-2-4014	1.32 (0.12)	5.00 (0.46)

• Dimensions in parentheses are in square meters.

Notes on this page also apply to the previous page. Sidelight and transom sizes on pages 116-119.

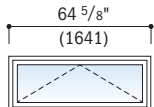
5'-11 <sup>1</sup> / <sub>4</sub> " (1810)	6'-3 <sup>1</sup> / <sub>4</sub> " (1911)	6'-11 <sup>1</sup> / <sub>4</sub> " (2114)	7'-10 <sup>7</sup> / <sub>16</sub> " (2398)	7'-11 <sup>1</sup> / <sub>4</sub> " (2419)	8'-10 <sup>7</sup> / <sub>16</sub> " (2703)
6'-0" (1829)	6'-4" (1930)	7'-0" (2133)	7'-11" (2413)	8'-0" (2438)	8'-11" (2717)



ATV6020

67 <sup>5</sup> / <sub>8</sub> " (1717)	71 <sup>5</sup> / <sub>8</sub> " (1818)	79 <sup>5</sup> / <sub>8</sub> " (2022)	90 <sup>3</sup> / <sub>4</sub> " (2305)	91 <sup>5</sup> / <sub>8</sub> " (2326)	102 <sup>3</sup> / <sub>4</sub> " (2610)
FWTDS6020	FWTDS6420	FWTDS7020	FWTDS71120	FWTDS8020	FWTDS81120

60" (1525)	64" (1626)	72" (1830)	83 <sup>3</sup> / <sub>16</sub> " (2113)	84" (2134)	95 <sup>3</sup> / <sub>16</sub> " (2418)
FWTD-1-6024 24 <sup>7</sup> / <sub>8</sub> " (632)	FWTD-1-6424 26 <sup>7</sup> / <sub>8</sub> " (683)	FWTD-1-7024	FWTD-1-71124 20 <sup>7</sup> / <sub>8</sub> " (530)	FWTD-1-8024	FWTD-1-81124 24 <sup>7</sup> / <sub>8</sub> " (632)
FWTD-2-6024	FWTD-2-6424		FWTD-3-71124		FWTD-3-81124



ATV6024

67 <sup>5</sup> / <sub>8</sub> " (1717)	71 <sup>5</sup> / <sub>8</sub> " (1818)	79 <sup>5</sup> / <sub>8</sub> " (2022)	90 <sup>3</sup> / <sub>4</sub> " (2305)	91 <sup>5</sup> / <sub>8</sub> " (2326)	102 <sup>3</sup> / <sub>4</sub> " (2610)
FWTDS6024	FWTDS6424	FWTDS7024	FWTDS71124	FWTDS8024	FWTDS81124



Custom-size sash-set patio door transoms and sidelights are available in 1/8" (3) increments. See page 128 for custom sizes and specifications. Direct-set transoms are not available in custom sizes.

**Venting transom window must be installed to vent as shown and should not be rotated and used as a hopper.**

Grille patterns shown on page 122.

### Sash-Set Frenchwood® Patio Door Sidelight Transom & Transom Area Specifications

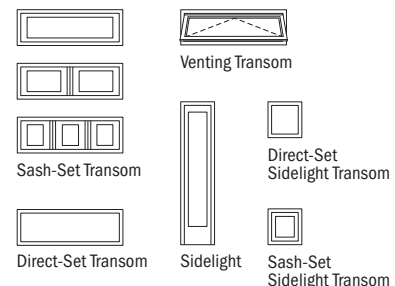
Sidelight Transom/Transom Number	Glass Area Sq. Ft./ (m <sup>2</sup> )	Overall Sidelight Transom/Transom Area Sq. Ft./ (m <sup>2</sup> )
FWTD-1-4018	2.85 (0.26)	6.32 (0.59)
FWTD-2-4018	2.04 (0.19)	6.32 (0.59)
FWTD-1-4020	3.85 (0.36)	7.63 (0.71)
FWTD-2-4020	2.75 (0.26)	7.63 (0.71)
FWTD-1-4024	4.86 (0.45)	8.94 (0.83)
FWTD-2-4024	3.47 (0.32)	8.94 (0.83)
FWTD-1-5010	1.14 (0.11)	4.63 (0.43)
FWTD-2-5010	0.89 (0.08)	4.63 (0.43)
FWTD-1-5014	2.47 (0.23)	6.27 (0.58)
FWTD-2-5014	1.94 (0.18)	6.27 (0.58)
FWTD-1-5018	3.80 (0.35)	7.92 (0.74)
FWTD-2-5018	2.99 (0.28)	7.92 (0.74)
FWTD-1-5020	5.14 (0.48)	9.57 (0.89)
FWTD-2-5020	4.04 (0.38)	9.57 (0.89)
FWTD-1-5024	6.47 (0.60)	11.21 (1.04)
FWTD-2-5024	5.09 (0.47)	11.21 (1.04)
FWTD-1-5410	1.23 (0.11)	4.94 (0.46)
FWTD-2-5410	0.99 (0.09)	4.94 (0.46)
FWTD-1-5414	2.68 (0.25)	6.70 (0.62)
FWTD-2-5414	2.15 (0.20)	6.70 (0.62)

Sidelight Transom/Transom Number	Glass Area Sq. Ft./ (m <sup>2</sup> )	Overall Sidelight Transom/Transom Area Sq. Ft./ (m <sup>2</sup> )
FWTD-1-5418	4.12 (0.38)	8.46 (0.79)
FWTD-2-5418	3.31 (0.31)	8.46 (0.79)
FWTD-1-5420	5.57 (0.52)	10.21 (0.95)
FWTD-2-5420	4.47 (0.42)	10.21 (0.95)
FWTD-1-5424	7.01 (0.65)	11.97 (1.11)
FWTD-2-5424	5.63 (0.52)	11.97 (1.11)
FWTD-1-6010	1.42 (0.13)	5.57 (0.52)
FWTD-2-6010	1.18 (0.11)	5.57 (0.52)
FWTD-1-6014	3.09 (0.29)	7.55 (0.70)
FWTD-2-6014	2.56 (0.24)	7.55 (0.70)
FWTD-1-6018	4.75 (0.44)	9.52 (0.88)
FWTD-2-6018	3.94 (0.37)	9.52 (0.88)
FWTD-1-6020	6.42 (0.60)	11.50 (1.07)
FWTD-2-6020	5.32 (0.49)	11.50 (1.07)
FWTD-1-6024	8.09 (0.75)	13.48 (1.25)
FWTD-2-6024	6.70 (0.62)	13.48 (1.25)
FWTD-1-6410	1.51 (0.14)	5.88 (0.55)
FWTD-2-6410	1.27 (0.12)	5.88 (0.55)
FWTD-1-6414	3.29 (0.31)	7.97 (0.74)

• Dimensions in parentheses are in square meters.

continued on next page

Choose direct-set transom (FWTDS), sash-set transom (FWTD-1, FWTD-2, FWTD-3), venting transom window (ATV), direct-set sidelight transom (FWSTDS), sash-set sidelight transom (FWSLTD) or sidelight (FWSLD).



- "Window Dimension" always refers to outside frame to frame dimension.
- "Minimum Rough Opening" dimensions may need to be increased to allow for use of building wraps, flashing, sill panning, brackets, fasteners or other items. See page 217 for more details.
- Dimensions in parentheses are in millimeters.

## Sash-Set Frenchwood® Patio Door Sidelight Transom & Transom Area Specifications (continued)

Sidelight Transom/Transom Number	Glass Area Sq. Ft./ (m <sup>2</sup> )	Overall Sidelight Transom/Transom Area Sq. Ft./ (m <sup>2</sup> )
FWTD-2-6414	2.76 (0.26)	7.97 (0.74)
FWTD-1-6418	5.07 (0.47)	10.06 (0.93)
FWTD-2-6418	4.26 (0.40)	10.06 (0.93)
FWTD-1-6420	6.85 (0.64)	12.15 (1.13)
FWTD-2-6420	5.75 (0.53)	12.15 (1.13)
FWTD-1-6424	8.63 (0.80)	14.24 (1.32)
FWTD-2-6424	7.24 (0.67)	14.24 (1.32)
FWTD-1-7010	1.70 (0.16)	6.50 (0.60)
FWTD-1-7014	3.70 (0.34)	8.82 (0.82)
FWTD-1-7018	5.71 (0.53)	11.13 (1.03)
FWTD-1-7020	7.71 (0.72)	13.44 (1.25)
FWTD-1-7024	9.71 (0.90)	15.75 (1.46)
FWTD-1-71110	1.97 (0.18)	7.38 (0.69)
FWTD-3-71110	1.48 (0.14)	7.38 (0.69)
FWTD-1-71114	4.28 (0.40)	10.00 (0.93)
FWTD-3-71114	3.22 (0.30)	10.00 (0.93)
FWTD-1-71118	6.59 (0.61)	12.62 (1.17)
FWTD-3-71118	4.95 (0.46)	12.62 (1.17)
FWTD-1-71120	8.90 (0.83)	15.24 (1.42)
FWTD-3-71120	6.69 (0.62)	15.24 (1.42)
FWTD-1-71124	11.21 (1.04)	17.87 (1.66)
FWTD-3-71124	8.43 (0.78)	17.87 (1.66)
FWTD-1-8010	1.99 (0.18)	7.44 (0.69)
FWTD-1-8014	4.32 (0.40)	10.09 (0.94)
FWTD-1-8018	6.66 (0.62)	12.73 (1.18)
FWTD-1-8020	8.99 (0.84)	15.38 (1.43)
FWTD-1-8024	11.32 (1.05)	18.02 (1.67)
FWTD-1-81110	2.25 (0.21)	8.31 (0.77)
FWTD-3-81110	1.76 (0.16)	8.31 (0.77)
FWTD-1-81114	4.90 (0.46)	11.27 (1.05)
FWTD-3-81114	3.83 (0.36)	11.27 (1.05)
FWTD-1-81118	7.54 (0.70)	14.22 (1.32)
FWTD-3-81118	5.90 (0.55)	14.22 (1.32)
FWTD-1-81120	10.18 (0.95)	17.18 (1.60)
FWTD-3-81120	7.97 (0.74)	17.18 (1.60)
FWTD-1-81124	12.83 (1.19)	20.14 (1.87)
FWTD-3-81124	10.05 (0.93)	20.14 (1.87)
FWTD-1-9610	2.39 (0.22)	8.78 (0.82)
FWTD-3-9610	1.91 (0.18)	8.78 (0.82)
FWTD-1-9614	5.20 (0.48)	11.90 (1.11)
FWTD-3-9614	4.14 (0.38)	11.90 (1.11)
FWTD-1-9618	8.01 (0.74)	15.03 (1.40)
FWTD-3-9618	6.38 (0.59)	15.03 (1.40)
FWTD-1-9620	10.83 (1.01)	18.15 (1.69)
FWTD-3-9620	8.62 (0.80)	18.15 (1.69)
FWTD-1-9624	13.64 (1.27)	21.27 (1.98)
FWTD-3-9624	10.85 (1.01)	21.27 (1.98)

## Frenchwood® Patio Sidelight Area Specifications

Sidelight Number	Glass Area Sq. Ft./ (m <sup>2</sup> )	Overall Sidelight Area Sq. Ft./ (m <sup>2</sup> )
FWSLD1368	2.82 (0.26)	7.87 (0.73)
FWSLD13611	2.95 (0.27)	8.15 (0.76)
FWSLD1380	3.53 (0.33)	9.45 (0.88)
FWSLD1768	4.58 (0.43)	10.08 (0.94)
FWSLD17611	4.79 (0.45)	10.44 (0.97)
FWSLD1780	5.74 (0.53)	12.10 (1.12)

## Direct-Set Frenchwood® Patio Door Sidelight Transom & Transom Area Specifications

Sidelight Transom/Transom Number	Glass Area Sq. Ft./ (m <sup>2</sup> )	Overall Sidelight Transom/Transom Area Sq. Ft./ (m <sup>2</sup> )
FWSTDS1310	0.56 (0.05)	1.11 (0.10)
FWSTDS1314	0.85 (0.08)	1.51 (0.14)
FWSTDS1318	1.15 (0.11)	1.90 (0.18)
FWSTDS1320	1.44 (0.13)	2.30 (0.21)
FWSTDS1324	1.74 (0.16)	2.70 (0.25)
FWSTDS1710	0.77 (0.07)	1.43 (0.13)
FWSTDS1714	1.18 (0.11)	1.93 (0.18)
FWSTDS1718	1.58 (0.15)	2.44 (0.23)
FWSTDS1720	1.99 (0.18)	2.95 (0.27)
FWSTDS1724	2.39 (0.22)	3.45 (0.32)
FWTDS2110	1.08 (0.10)	1.88 (0.17)
FWTDS2114	1.65 (0.15)	2.55 (0.24)
FWTDS2118	2.21 (0.21)	3.22 (0.30)
FWTDS2120	2.78 (0.26)	3.89 (0.36)

Sidelight Transom/Transom Number	Glass Area Sq. Ft./ (m <sup>2</sup> )	Overall Sidelight Transom/Transom Area Sq. Ft./ (m <sup>2</sup> )
FWTDS2124	3.35 (0.31)	4.56 (0.42)
FWTDS2710	1.39 (0.13)	2.35 (0.22)
FWTDS2714	2.13 (0.20)	3.19 (0.30)
FWTDS2718	2.86 (0.27)	4.02 (0.37)
FWTDS2720	3.60 (0.33)	4.86 (0.45)
FWTDS2724	4.33 (0.40)	5.69 (0.53)
FWTDS2910	1.50 (0.14)	2.51 (0.23)
FWTDS2914	2.29 (0.21)	3.40 (0.32)
FWTDS2918	3.08 (0.29)	4.29 (0.40)
FWTDS2920	3.87 (0.36)	5.18 (0.48)
FWTDS2924	4.66 (0.43)	6.07 (0.56)
FWTDS3110	1.71 (0.16)	2.82 (0.26)
FWTDS3114	2.61 (0.24)	3.82 (0.36)

• Dimensions in parentheses are in square meters.

*continued on next page*

## Venting Transom Window Opening and Area Specifications

Window Number	Clear Opening Sq. Ft./ (m <sup>2</sup> )	Clear Opening in Full Open Position		Glass Area Sq. Ft./ (m <sup>2</sup> )	Sq. Vent Sq. Ft./ (m <sup>2</sup> )	Top of Subfloor to Top of Inside Sill Stop Inches/(mm)	Overall Window Area Sq. Ft./ (m <sup>2</sup> )
		Width Inches/(mm)	Height Inches/(mm)				
ATV2114	0.79 (0.07)	19 3/16" (487)	5 7/8" (149)	1.04 (0.10)	0.79 (0.07)	69 1/2" (1765)	2.56 (0.24)
ATV2714	1.03 (0.10)	25 3/16" (640)	5 7/8" (149)	1.40 (0.13)	1.03 (0.10)	69 1/2" (1765)	3.19 (0.30)
ATV2914	1.11 (0.10)	27 3/16" (691)	5 7/8" (149)	1.52 (0.14)	1.11 (0.10)	69 1/2" (1765)	3.40 (0.32)
ATV3114	1.28 (0.12)	31 3/16" (792)	5 7/8" (149)	1.76 (0.16)	1.28 (0.12)	69 1/2" (1765)	3.83 (0.36)
ATV3314	1.36 (0.13)	33 3/16" (843)	5 7/8" (149)	1.88 (0.17)	1.36 (0.13)	69 1/2" (1765)	4.04 (0.38)
ATV4014	1.73 (0.16)	42 5/16" (1075)	5 7/8" (149)	2.43 (0.23)	1.73 (0.16)	69 1/2" (1765)	5.00 (0.46)
ATV5014	2.22 (0.21)	54 5/16" (1380)	5 7/8" (149)	3.14 (0.29)	2.22 (0.21)	69 1/2" (1765)	6.28 (0.58)
ATV5414	2.39 (0.22)	58 5/16" (1481)	5 7/8" (149)	3.38 (0.31)	2.39 (0.22)	69 1/2" (1765)	6.70 (0.62)
ATV6014	2.71 (0.25)	66 5/16" (1684)	5 7/8" (149)	3.86 (0.36)	2.71 (0.25)	69 1/2" (1765)	7.55 (0.70)
ATV2118	0.79 (0.07)	19 3/16" (487)	5 7/8" (149)	1.53 (0.14)	0.79 (0.07)	65 1/2" (1664)	3.23 (0.30)
ATV2718	1.03 (0.10)	25 3/16" (640)	5 7/8" (149)	2.05 (0.19)	1.03 (0.10)	65 1/2" (1664)	4.03 (0.37)
ATV2918	1.11 (0.10)	27 3/16" (691)	5 7/8" (149)	2.23 (0.21)	1.11 (0.10)	65 1/2" (1664)	4.29 (0.40)
ATV3118	1.28 (0.12)	31 3/16" (792)	5 7/8" (149)	2.58 (0.24)	1.28 (0.12)	65 1/2" (1664)	4.83 (0.45)
ATV3318	1.36 (0.13)	33 3/16" (843)	5 7/8" (149)	2.75 (0.26)	1.36 (0.13)	65 1/2" (1664)	5.10 (0.47)
ATV4018	1.73 (0.16)	42 5/16" (1075)	5 7/8" (149)	3.55 (0.33)	1.73 (0.16)	65 1/2" (1664)	6.32 (0.59)
ATV5018	2.22 (0.21)	54 5/16" (1380)	5 7/8" (149)	4.60 (0.43)	2.22 (0.21)	65 1/2" (1664)	7.92 (0.74)
ATV5418	2.39 (0.22)	58 5/16" (1481)	5 7/8" (149)	4.95 (0.46)	2.39 (0.22)	65 1/2" (1664)	8.46 (0.79)
ATV6018	2.71 (0.25)	66 5/16" (1684)	5 7/8" (149)	5.65 (0.52)	2.71 (0.25)	65 1/2" (1664)	9.53 (0.89)
ATV2120	0.79 (0.07)	19 3/16" (487)	5 7/8" (149)	2.01 (0.19)	0.79 (0.07)	61 1/2" (1562)	3.90 (0.36)
ATV2720	1.03 (0.10)	25 3/16" (640)	5 7/8" (149)	2.71 (0.25)	1.03 (0.10)	61 1/2" (1562)	4.86 (0.45)
ATV2920	1.11 (0.10)	27 3/16" (691)	5 7/8" (149)	2.94 (0.27)	1.11 (0.10)	61 1/2" (1562)	5.19 (0.48)
ATV3120	1.28 (0.12)	31 3/16" (792)	5 7/8" (149)	3.40 (0.32)	1.28 (0.12)	61 1/2" (1562)	5.83 (0.54)
ATV3320	1.36 (0.13)	33 3/16" (843)	5 7/8" (149)	3.63 (0.34)	1.36 (0.13)	61 1/2" (1562)	6.16 (0.57)
ATV4020	1.73 (0.16)	42 5/16" (1075)	5 7/8" (149)	4.68 (0.44)	1.73 (0.16)	61 1/2" (1562)	7.63 (0.71)
ATV5020	2.22 (0.21)	54 5/16" (1380)	5 7/8" (149)	6.06 (0.56)	2.22 (0.21)	61 1/2" (1562)	9.57 (0.89)
ATV5420	2.39 (0.22)	58 5/16" (1481)	5 7/8" (149)	6.53 (0.61)	2.39 (0.22)	61 1/2" (1562)	10.21 (0.95)
ATV6020	2.71 (0.25)	66 5/16" (1684)	5 7/8" (149)	7.45 (0.69)	2.71 (0.25)	61 1/2" (1562)	11.07 (1.10)
ATV2124	0.79 (0.07)	19 3/16" (487)	5 7/8" (149)	2.50 (0.23)	0.79 (0.07)	57 1/2" (1461)	4.57 (0.42)
ATV2724	1.03 (0.10)	25 3/16" (640)	5 7/8" (149)	3.36 (0.31)	1.03 (0.10)	57 1/2" (1461)	5.70 (0.53)
ATV2924	1.11 (0.10)	27 3/16" (691)	5 7/8" (149)	3.64 (0.34)	1.11 (0.10)	57 1/2" (1461)	6.08 (0.56)
ATV3124	1.28 (0.12)	31 3/16" (792)	5 7/8" (149)	4.22 (0.39)	1.28 (0.12)	57 1/2" (1461)	6.84 (0.64)
ATV3324	1.36 (0.13)	33 3/16" (843)	5 7/8" (149)	4.50 (0.42)	1.36 (0.13)	57 1/2" (1461)	7.23 (0.67)
ATV4024	1.73 (0.16)	42 5/16" (1075)	5 7/8" (149)	5.81 (0.54)	1.73 (0.16)	57 1/2" (1461)	8.94 (0.83)
ATV5024	2.22 (0.21)	54 5/16" (1380)	5 7/8" (149)	7.53 (0.70)	2.22 (0.21)	57 1/2" (1461)	11.21 (1.04)
ATV5424	2.39 (0.22)	58 5/16" (1481)	5 7/8" (149)	8.10 (0.75)	2.39 (0.22)	57 1/2" (1461)	11.97 (1.11)
ATV6024	2.71 (0.25)	66 5/16" (1684)	5 7/8" (149)	9.24 (0.86)	2.71 (0.25)	57 1/2" (1461)	13.49 (1.25)

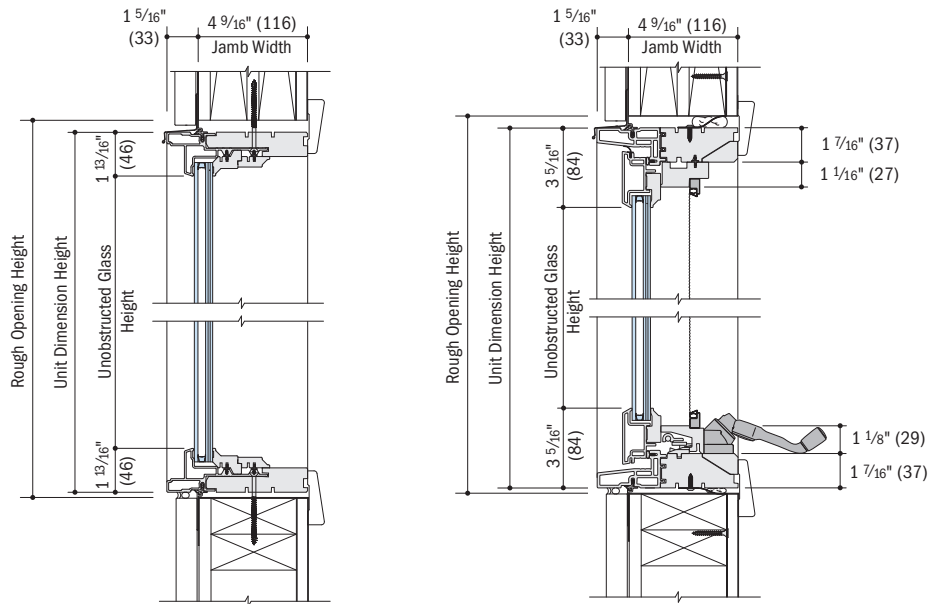
• "Top of Subfloor to Top of Inside Sill Stop" is calculated based upon a structural header height of 6'-10 1/2" (2096).  
• Dimensions in parentheses are in millimeters or square meters.

**Direct-Set Frenchwood® Patio Door Sidelight Transom & Transom Area Specifications** (continued)

Sidelight Transom/ Transom Number	Glass Area Sq. Ft./ (m <sup>2</sup> )	Overall Sidelight Transom/Transom Area Sq. Ft./ (m <sup>2</sup> )
FWTDS3118	3.51 (0.33)	4.83 (0.45)
FWTDS3120	4.41 (0.41)	5.83 (0.54)
FWTDS3124	5.31 (0.49)	6.83 (0.63)
FWTDS3310	1.82 (0.17)	2.98 (0.28)
FWTDS3314	2.77 (0.26)	4.03 (0.37)
FWTDS3318	3.73 (0.35)	5.09 (0.47)
FWTDS3320	4.69 (0.44)	6.15 (0.57)
FWTDS3324	5.64 (0.52)	7.21 (0.67)
FWTDS4010	2.30 (0.21)	3.69 (0.34)
FWTDS4014	3.51 (0.33)	5.00 (0.46)
FWTDS4018	4.72 (0.44)	6.32 (0.59)
FWTDS4020	5.93 (0.55)	7.63 (0.71)
FWTDS4024	7.14 (0.66)	8.94 (0.83)
FWTDS5010	2.93 (0.27)	4.63 (0.43)
FWTDS5014	4.48 (0.42)	6.27 (0.58)
FWTDS5018	6.02 (0.56)	7.92 (0.74)
FWTDS5020	7.56 (0.70)	9.57 (0.89)
FWTDS5024	9.11 (0.85)	11.21 (1.04)
FWTDS5410	3.14 (0.29)	4.94 (0.46)
FWTDS5414	4.80 (0.45)	6.70 (0.62)
FWTDS5418	6.45 (0.60)	8.46 (0.79)
FWTDS5420	8.11 (0.75)	10.21 (0.95)
FWTDS5424	9.76 (0.91)	11.97 (1.11)
FWTDS6010	3.56 (0.33)	5.57 (0.52)
FWTDS6014	5.44 (0.51)	7.55 (0.70)
FWTDS6018	7.32 (0.68)	9.52 (0.88)
FWTDS6020	9.20 (0.85)	11.50 (1.07)
FWTDS6024	11.08 (1.03)	13.48 (1.25)
FWTDS6410	3.78 (0.35)	5.88 (0.55)
FWTDS6414	5.76 (0.54)	7.97 (0.74)
FWTDS6418	7.75 (0.72)	10.06 (0.93)
FWTDS6420	9.74 (0.90)	12.15 (1.13)
FWTDS6424	11.73 (1.09)	14.24 (1.32)
FWTDS7010	4.20 (0.39)	6.50 (0.60)
FWTDS7014	6.41 (0.60)	8.82 (0.82)
FWTDS7018	8.62 (0.80)	11.13 (1.03)
FWTDS7020	10.83 (1.01)	13.44 (1.25)
FWTDS7024	13.04 (1.21)	15.75 (1.46)
FWTDS71110	4.79 (0.44)	7.38 (0.69)
FWTDS71114	7.31 (0.68)	10.00 (0.93)
FWTDS71118	9.83 (0.91)	12.62 (1.17)
FWTDS71120	12.35 (1.15)	15.24 (1.42)
FWTDS71124	14.87 (1.38)	17.87 (1.66)
FWTDS8010	4.83 (0.45)	7.44 (0.69)
FWTDS8014	7.37 (0.68)	10.09 (0.94)
FWTDS8018	9.92 (0.92)	12.73 (1.18)
FWTDS8020	12.46 (1.16)	15.38 (1.43)
FWTDS8024	15.01 (1.39)	18.02 (1.67)
FWTDS81110	5.42 (0.50)	8.31 (0.77)
FWTDS81114	8.27 (0.77)	11.27 (1.05)
FWTDS81118	11.13 (1.03)	14.22 (1.32)
FWTDS81120	13.98 (1.30)	17.18 (1.60)
FWTDS81124	16.84 (1.56)	20.14 (1.87)
FWTDS9610	5.74 (0.53)	8.78 (0.82)
FWTDS9614	8.76 (0.81)	11.90 (1.11)
FWTDS9618	11.78 (1.09)	15.03 (1.40)
FWTDS9620	14.80 (1.37)	18.15 (1.69)
FWTDS9624	17.82 (1.66)	21.27 (1.98)

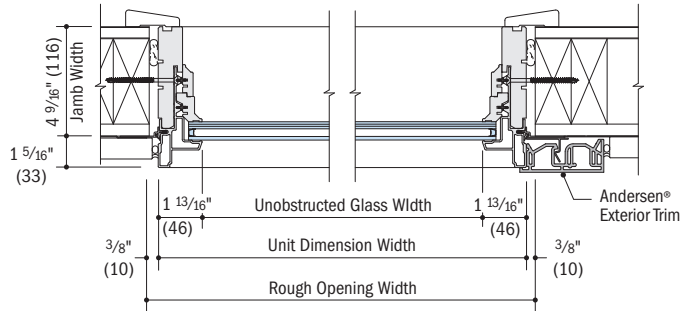
• Dimensions in parentheses are in square meters.

**Venting Transom Window & Direct-Set Frenchwood® Patio Door Sidelight Transom & Transom Details**  
Scale 1 1/2" (38) = 1'-0" (305) – 1:8

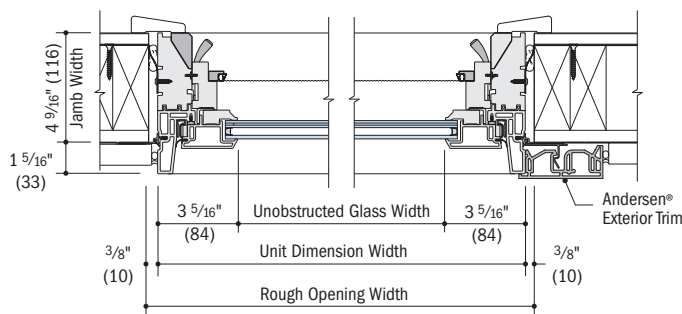


**Vertical Section - Direct-Set Sidelight Transom, Direct-Set Transom**  
Low-E4\* Impact-Resistant Glass

**Vertical Section - Venting Transom**  
Low-E4\* Impact-Resistant Glass



**Horizontal Section - Direct-Set Sidelight Transom, Direct-Set Transom**  
Low-E4\* Impact-Resistant Glass



**Horizontal Section - Venting Transom**  
Low-E4\* Impact-Resistant Glass

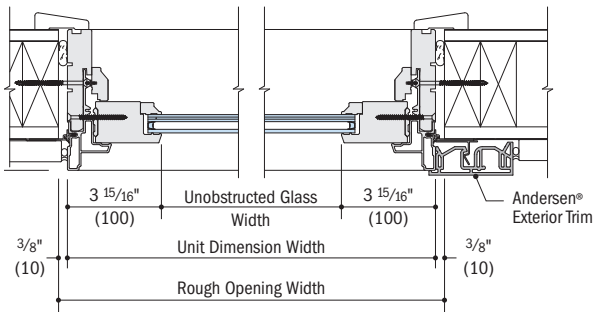
- 4 9/16" (116) jamb width measurement is from backside of installation flange.
- Light-colored areas are parts included with transom, sidelight or window. Dark-colored areas are additional Andersen® parts required to complete transom, sidelight or window assembly as shown.
- Dimensions in parentheses are in millimeters.
- **Rough openings may need to be increased to allow for use of building wraps, flashing, sill panning, brackets, fasteners or other items. See installation information on page 217.**
- Details are for illustration only and are not intended to represent product installation methods or materials. Refer to product installation guides at andersenwindows.com.

A-Series Frenchwood® Patio Door Sidelights & Transoms

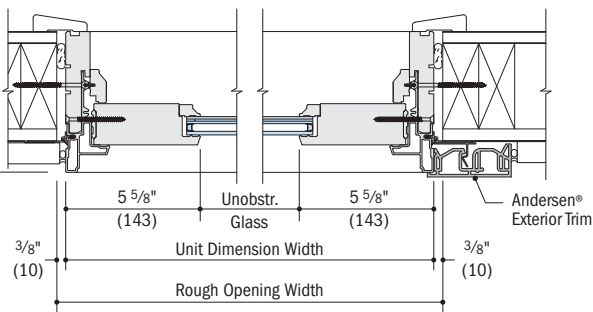


## Frenchwood® Patio Door Sidelight & Sash-Set Frenchwood® Patio Door Sidelight Transom & Transom Details

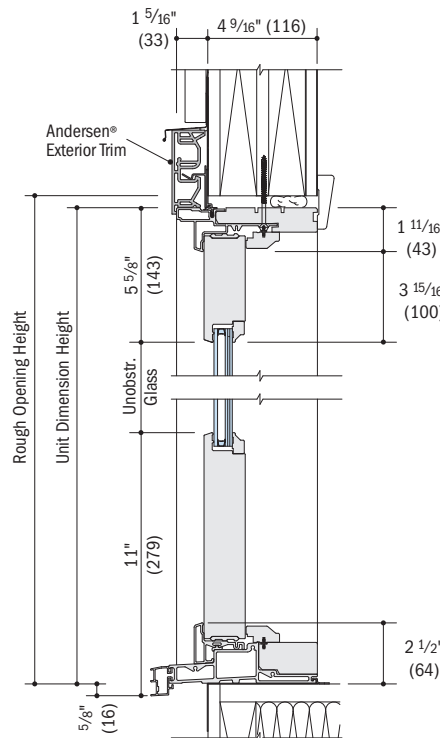
Scale 1 1/2" (38) = 1'-0" (305) – 1:8



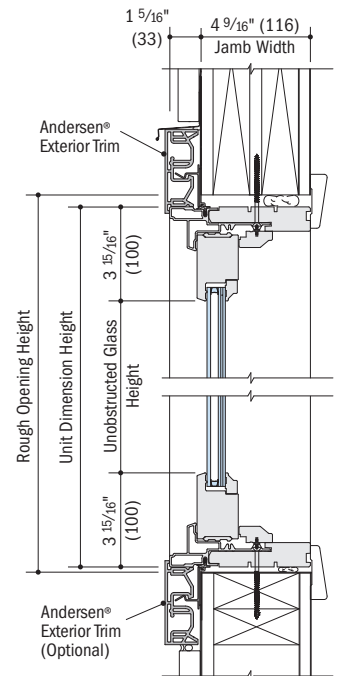
**Horizontal Section - Sidelight, Sash-Set Sidelight Transom**  
Low-E4\* Impact-Resistant Glass



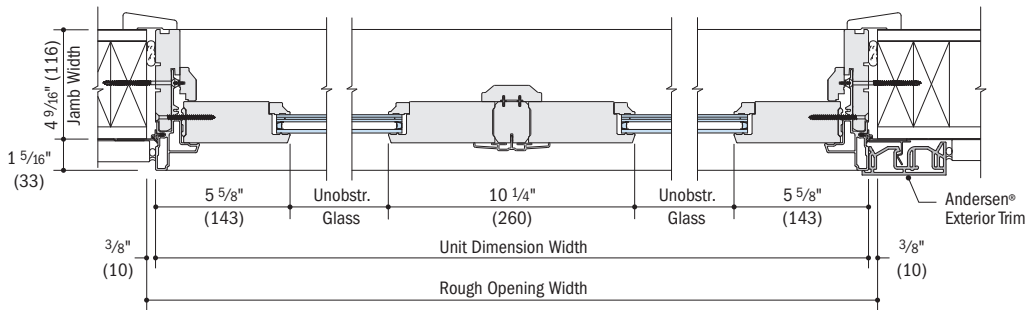
**Horizontal Section - Sash-Set Transom**  
Low-E4\* Impact-Resistant Glass



**Vertical Section - Sidelight**  
Low-E4\* Impact-Resistant Glass



**Vertical Section - Sash-Set Sidelight Transom, Sash-Set Transom**  
Low-E4\* Impact-Resistant Glass



**Horizontal Section - Sash-Set Twin Transom**  
Low-E4\* Impact-Resistant Glass

See pages 123-126 for horizontal and vertical joining details.

- 4 9/16" (116) jamb width measurement is from backside of installation flange.
- Light-colored areas are parts included with transom or sidelight. Dark-colored areas are additional Andersen® parts required to complete transom or sidelight assembly as shown.
- Dimensions in parentheses are in millimeters.
- **Rough openings may need to be increased to allow for use of building wraps, flashing, sill panning, brackets, fasteners or other items. See installation information on page 217.**
- Details are for illustration only and are not intended to represent product installation methods or materials. Refer to product installation guides at [andersenwindows.com](http://andersenwindows.com).

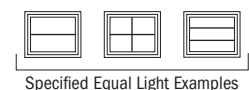
## Grille Patterns

	Diamond	Prairie A	Colonial
<b>Frenchwood® Patio Door Transoms</b>			
<b>Frenchwood® Patio Door Sidelights</b>			

• Andersen® Finelight™ grilles available in 3/4" (19) profile only.

**Number of lights and overall pattern varies with window size. Patterns shown may not be available for all sizes.**

Specified equal light and custom patterns are also available. For more information on divided light see pages 18-19 or visit [andersenwindows.com/grilles](http://andersenwindows.com/grilles).



Specified Equal Light Examples



Custom Pattern Examples

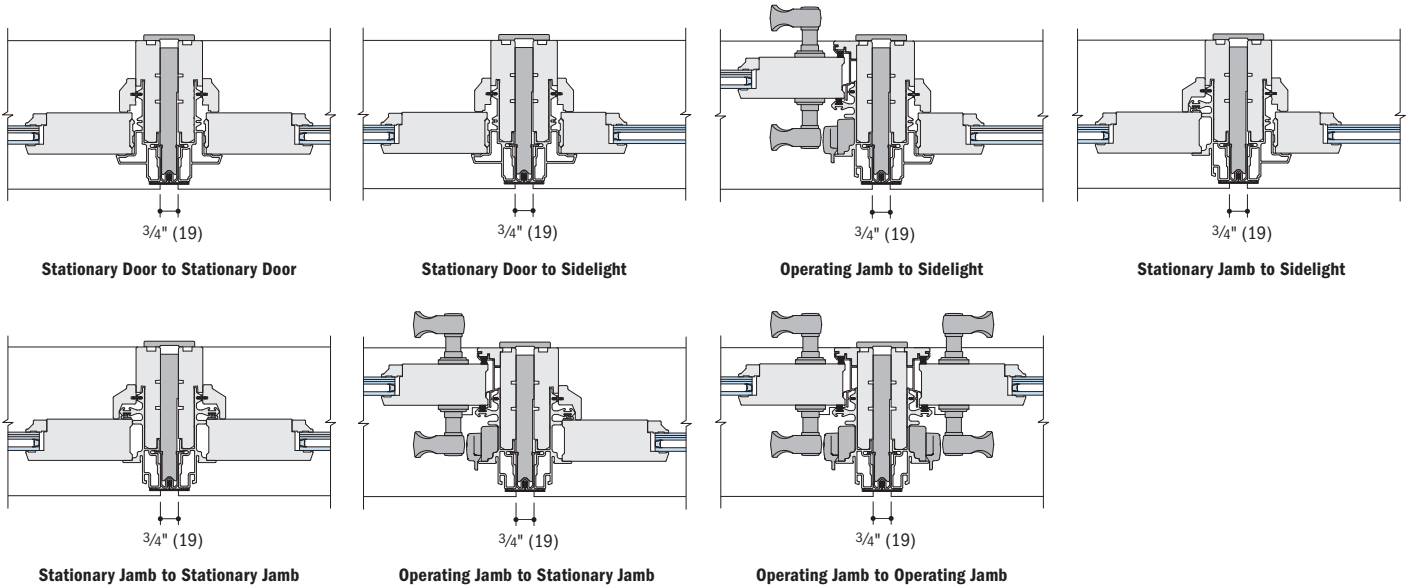
**Vertical (ribbon) LVL Joining Details**

Scale 1 1/2" (38) = 1'-0" (305) – 1:8

**Frenchwood® Gliding Patio Doors**

**Overall Door/Door or Door/Sidelight Dimension Width** Sum of individual door/door or door/sidelight widths plus 3/4" (19).

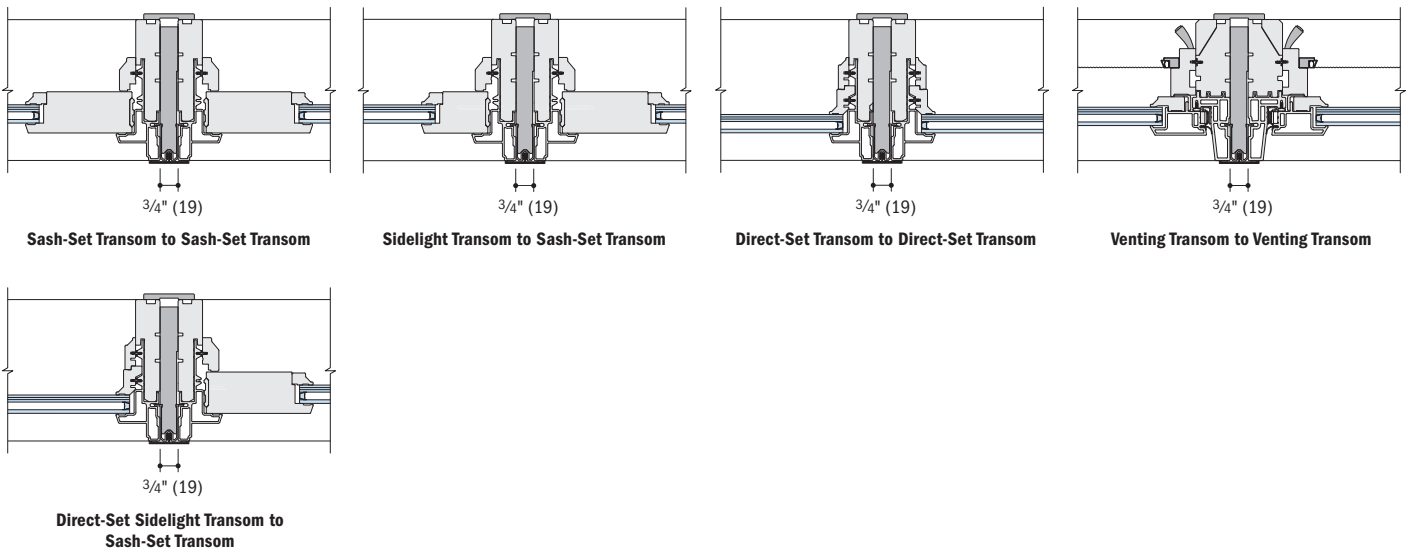
**Overall Minimum Rough Opening Width** Overall dimension width plus 3/4" (19).



**Frenchwood® Patio Door Transoms & Sidelights and Venting Transom Windows**

**Overall Transom/Transom or Transom/Sidelight Transom Dimension Width** Sum of individual transom/transom or transom/sidelight transom widths plus 3/4" (19).

**Overall Minimum Rough Opening Width** Overall dimension width plus 3/4" (19).



For more joining information see the combination designs section starting on page 193.

- Light-colored areas are parts included with transom or door. Dark-colored areas are additional Andersen® parts required to complete transom or door assembly as shown.
- Dimensions in parentheses are in millimeters.
- **Rough openings may need to be increased to allow for use of building wraps, flashing, sill panning, brackets, fasteners or other items. See installation information on page 217.**
- Details are for illustration only and are not intended to represent product installation methods or materials. Refer to product installation guides at andersenwindows.com.
- Structural performance of any combination is only as high as the lowest structural performance of any individual window or join in the combination.

## Vertical (ribbon) LVL Joining Details

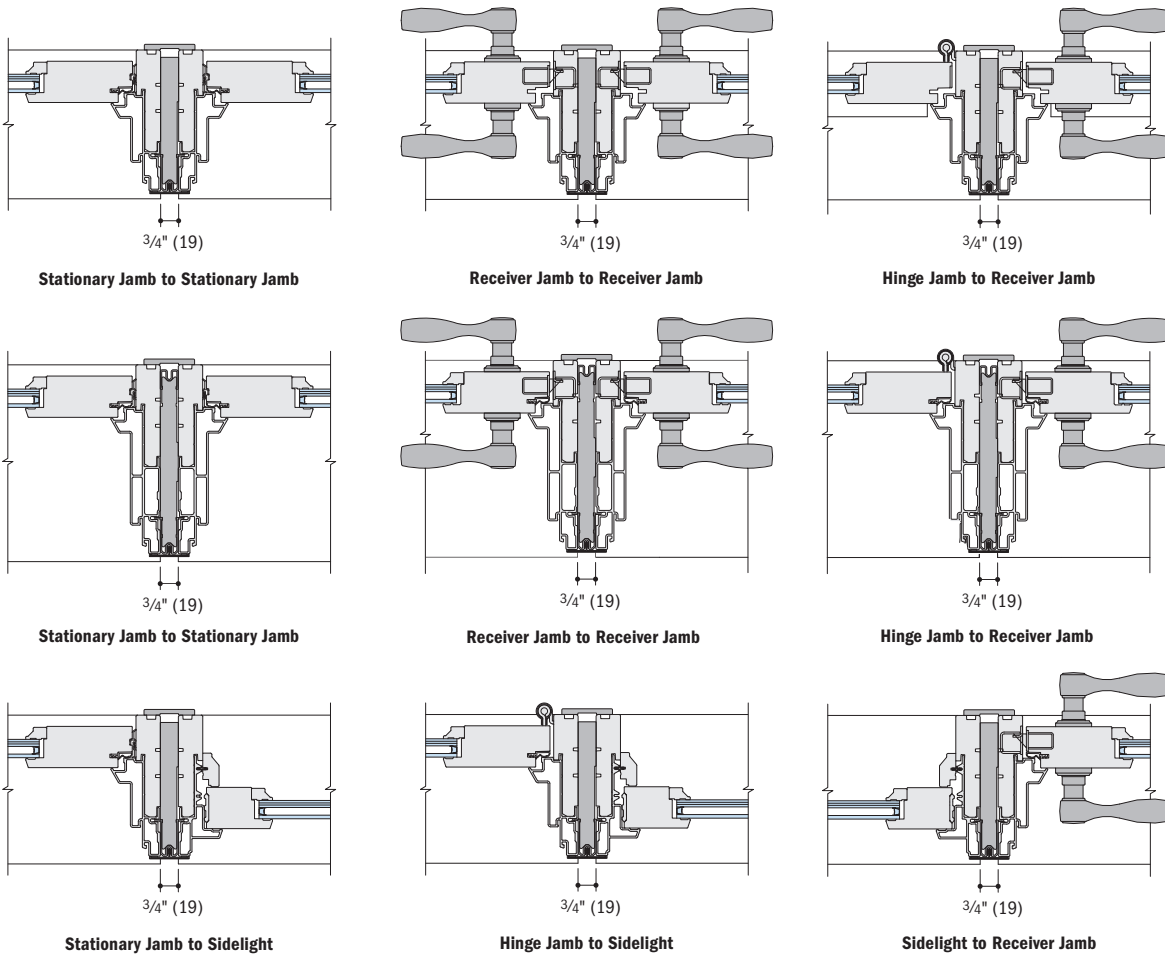
Scale 1 1/2" (38) = 1'-0" (305) – 1:8

### Frenchwood® Hinged Inswing Patio Doors

**Overall Door/Door or Door/Sidelight Dimension Width** Sum of individual door/door or door/sidelight widths plus 3/4" (19).

**Overall Minimum Rough Opening Width** Overall dimension width plus 3/4" (19).

**Do not join inswing or outswing doors hinge jamb to hinge jamb.**



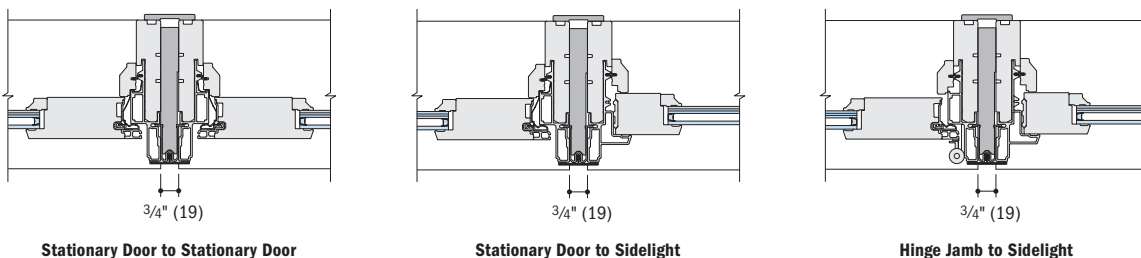
**For more joining information see the combination designs section starting on page 193.**

### Frenchwood® Hinged Outswing Patio Doors

**Overall Door/Door or Door/Sidelight Dimension Width** Sum of individual door/door or door/sidelight widths plus 3/4" (19).

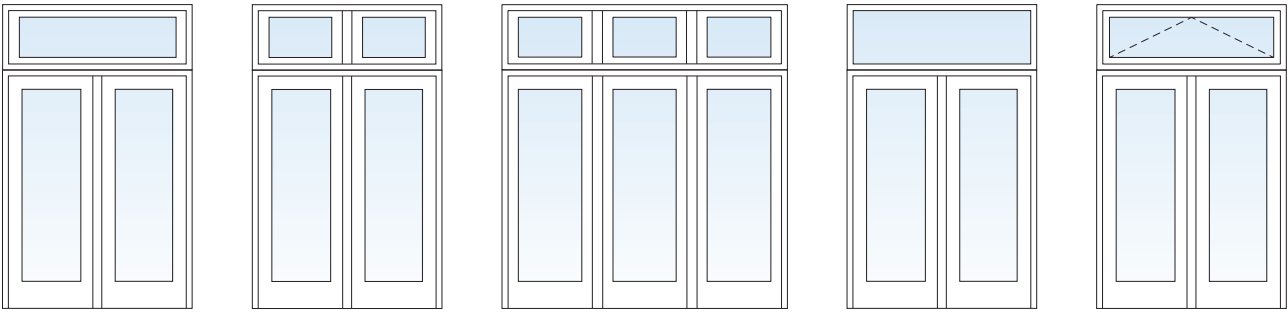
**Overall Minimum Rough Opening Width** Overall dimension width plus 3/4" (19).

**Do not join inswing or outswing doors hinge jamb to hinge jamb.**



- Light-colored areas are parts included with transom or door. Dark-colored areas are additional Andersen® parts required to complete transom or door assembly as shown.
- Dimensions in parentheses are in millimeters.
- **Rough openings may need to be increased to allow for use of building wraps, flashing, sill panning, brackets, fasteners or other items. See installation information on page 217.**
- Details are for illustration only and are not intended to represent product installation methods or materials. Refer to product installation guides at andersenwindows.com.
- Structural performance of any combination is only as high as the lowest structural performance of any individual window or join in the combination.

**Transom Options**



**Sash-Set  
Frenchwood® Patio Door  
Transom**

**Sash-Set  
Frenchwood® Patio Door  
Twin Transom**

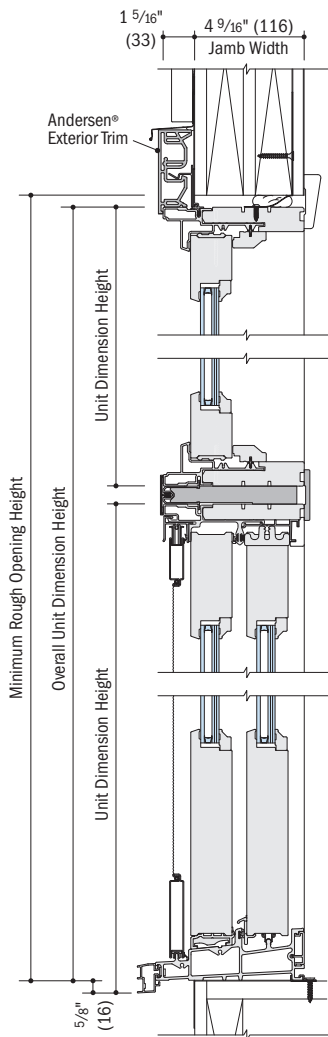
**Sash-Set  
Frenchwood® Patio Door  
Triple Transom**

**Direct-Set  
Frenchwood® Patio Door  
Transom**

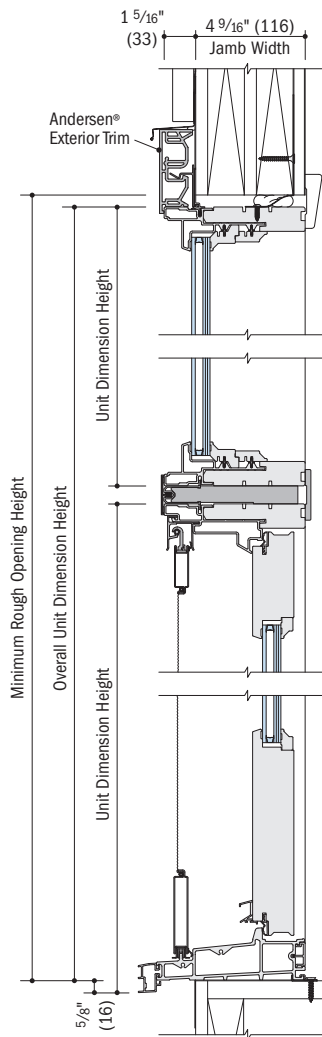
**Venting Transom Window**

**Horizontal (stack) LVL Joining Details**

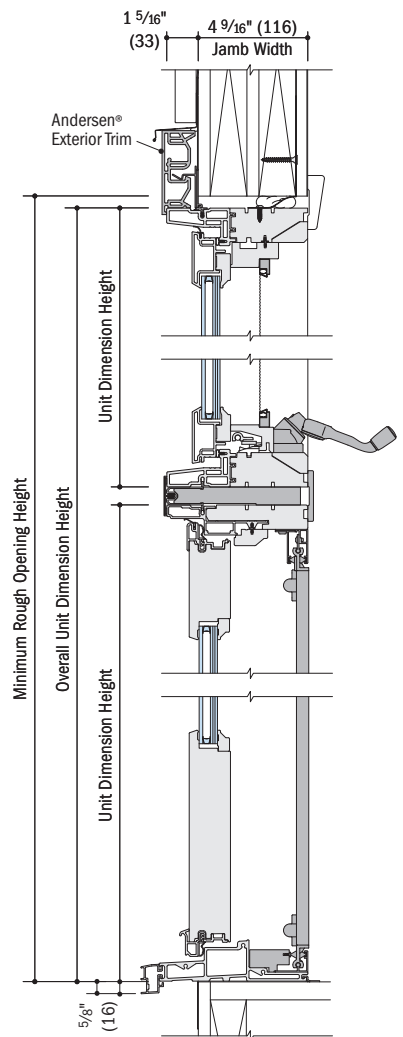
Scale 1 1/2" (38) = 1'-0" (305) – 1:8



**Sash-Set  
Frenchwood® Patio Door Transom over  
Frenchwood® Gliding Patio Door**



**Direct-Set  
Frenchwood® Patio Door Transom over  
Frenchwood® Hinged Inswing Patio Door**



**Venting Transom Window over  
Frenchwood® Hinged Outswing Patio Door**

- Light-colored areas are parts included with transom or door. Dark-colored areas are additional Andersen® parts required to complete transom or door assembly as shown.
- Dimensions in parentheses are in millimeters.
- **Rough openings may need to be increased to allow for use of building wraps, flashing, sill panning, brackets, fasteners or other items. See installation information on page 217.**
- Details are for illustration only and are not intended to represent product installation methods or materials. Refer to product installation guides at andersenwindows.com.
- Structural performance of any combination is only as high as the lowest structural performance of any individual window or join in the combination.

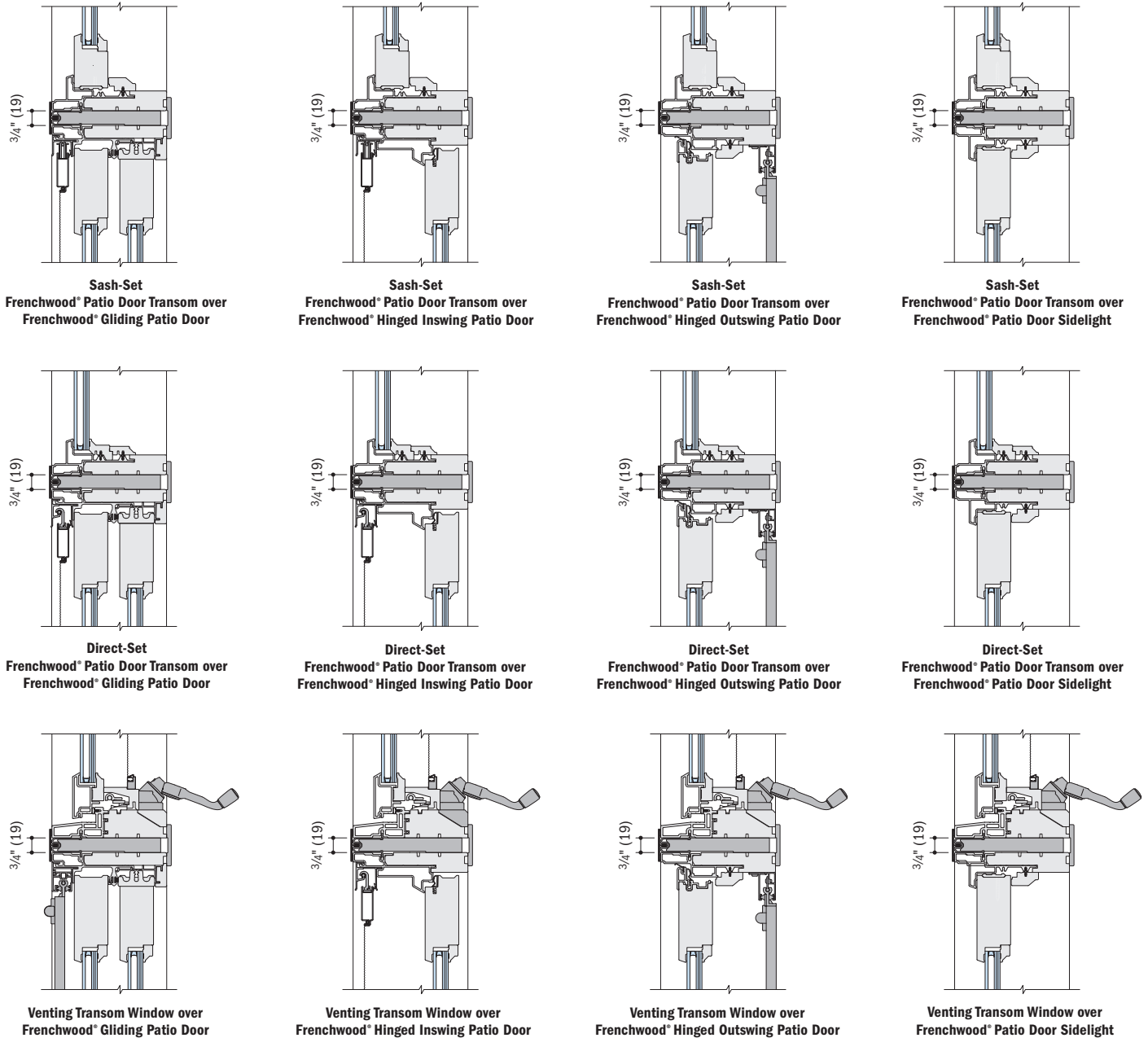
A-Series  
Frenchwood® Patio Door  
Joining Details

## Horizontal (stack) LVL Joining Details

Scale 1 1/2" (38) = 1'-0" (305) – 1:8

**Overall Transom/Door or Transom/Sidelight Dimension Height** Sum of individual transom/door or transom/sidelight heights plus 3/4" (19).

**Overall Minimum Rough Opening Height** Overall dimension height plus 1/2" (13).



For more joining information see the combination designs section starting on page 193.

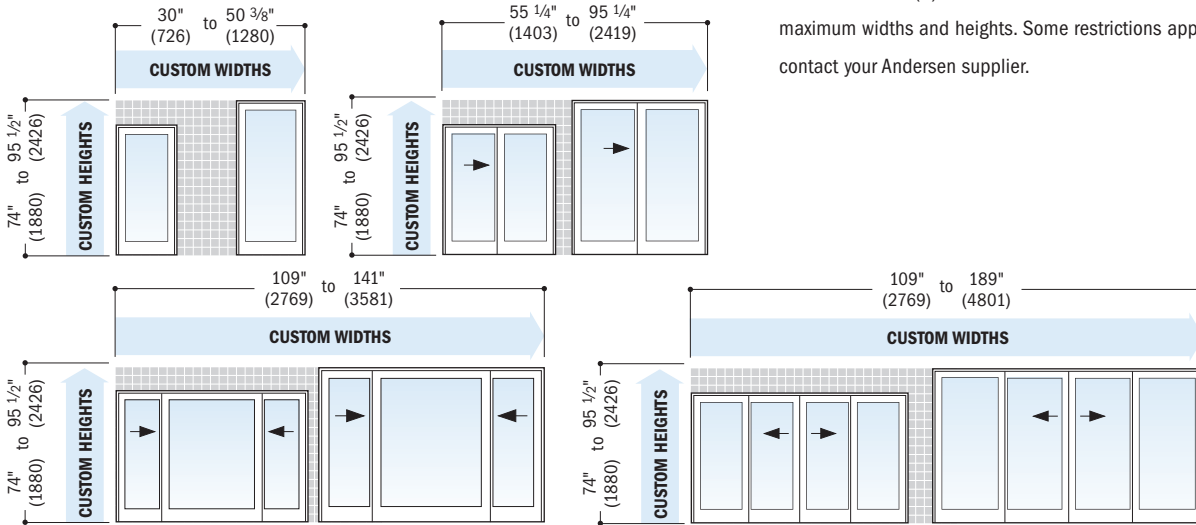
- Light-colored areas are parts included with window. Dark-colored areas are additional Andersen® parts required to complete window assembly as shown.
- Dimensions in parentheses are in millimeters.
- **Rough openings may need to be increased to allow for use of building wraps, flashing, sill panning, brackets, fasteners or other items. See installation information on page 217.**
- Details are for illustration only and are not intended to represent product installation methods or materials. Refer to product installation guides at andersenwindows.com.
- Structural performance of any combination is only as high as the lowest structural performance of any individual window or join in the combination.



Custom Sizes & Specifications



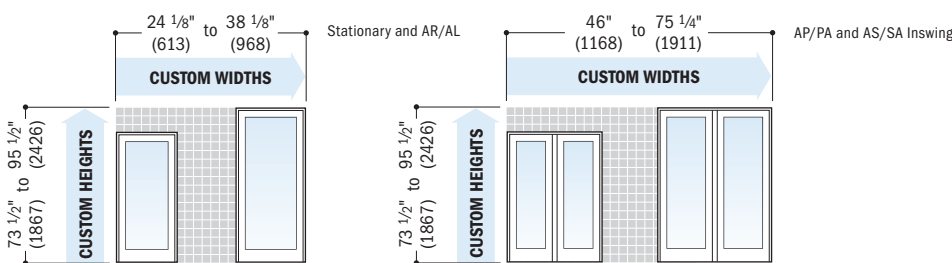
Frenchwood® Gliding Patio Doors



Available in 1/8" (3) increments between minimum and maximum widths and heights. Some restrictions apply, contact your Andersen supplier.

Minimum R.O.	Unobstr. Glass
<p><b>Single-Panel Gliding</b> Width = transom width + 3/4" (19) Height = transom height + 1/2" (13)</p> <p><b>Two-Panel Gliding</b> Width = transom width + 3/4" (19) Height = transom height + 1/2" (13)</p> <p><b>Three-Panel Gliding</b> Width = transom width + 1" (25) Height = transom height + 1/2" (13)</p> <p><b>Four-Panel Gliding</b> Width = transom width + 1" (25) Height = transom height + 1/2" (13)</p>	<p><b>Single-Panel Gliding</b> Width = transom width - 11.22" (285) Height = transom height - 16.06" (408)</p> <p><b>Two-Panel Gliding</b> Width = transom width - 17.00" (432) Height = transom height - 16.06" (408)</p> <p><b>Three-Panel Gliding</b> Width = transom width - 22.78" (579) Height = transom height - 16.06" (408)</p> <p><b>Four-Panel Gliding</b> Width = transom width - 11.22" (285) Height = transom height - 16.06" (408)</p>

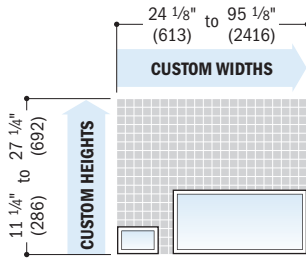
Frenchwood® Hinged Inswing and Outswing Patio Doors



Minimum R.O.	Unobstr. Glass
<p><b>Single-Panel Inswing &amp; Outswing</b> Width = patio door width + 3/4" (19) Height = patio door height + 1/2" (13)</p> <p><b>Two-Panel Inswing &amp; Outswing</b> Width = patio door + 3/4" (19) Height = patio door + 1/2" (13)</p>	<p><b>Single-Panel Inswing &amp; Outswing</b> Width = patio door width - 11.22" (285) Height = patio door height - 16.06" (408)</p> <p><b>Two-Panel Inswing &amp; Outswing</b> Width = patio door width - 21.50" (546) Height = patio door height - 16.06" (408)</p>

A-Series Frenchwood® Patio Door Custom Sizes

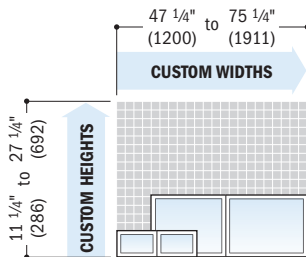
## Frenchwood® Patio Door Transoms and Sidelight Transoms



For custom sizing and opening specifications for venting transom windows see page 53.

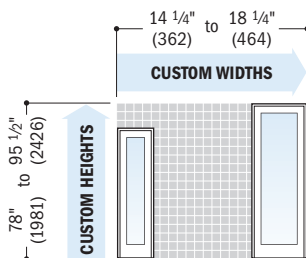
Minimum R.O.	Unobstr. Glass
<p><b>Sash-Set Transom</b></p> <p>Width = transom width + 3/4" (19)</p> <p>Height = transom height + 3/4" (19)</p> <p><b>Direct-Set Transom</b></p> <p>Width = transom width + 3/4" (19)</p> <p>Height = transom height + 3/4" (19)</p> <p><b>Sash-Set Sidelight Transom</b></p> <p>Width = transom width + 3/4" (19)</p> <p>Height = transom height + 3/4" (19)</p> <p><b>Direct-Set Sidelight Transom</b></p> <p>Width = transom width + 3/4" (19)</p> <p>Height = transom height + 3/4" (19)</p>	<p><b>Sash-Set Transom</b></p> <p>Width = transom width - 11.22" (285)</p> <p>Height = transom height - 7.84" (199)</p> <p><b>Direct-Set Transom</b></p> <p>Width = transom width - 3.66" (93)</p> <p>Height = transom height - 3.66" (93)</p> <p><b>Sash-Set Sidelight Transom</b></p> <p>Width = transom width - 7.84" (199)</p> <p>Height = transom height - 7.84" (199)</p> <p><b>Direct-Set Sidelight Transom</b></p> <p>Width = transom width - 3.66" (93)</p> <p>Height = transom height - 3.66" (93)</p>

## Frenchwood® Patio Door Twin Transoms



Minimum R.O.	Unobstr. Glass
<p><b>Sash-Set Twin Transom</b></p> <p>Width = transom width + 3/4" (19)</p> <p>Height = transom height + 3/4" (19)</p>	<p><b>Sash-Set Twin Transom</b></p> <p>Width = transom width - 21.50" (546)</p> <p>Height = transom height - 7.84" (199)</p>

## Frenchwood® Patio Door Sidelights



Minimum R.O.	Unobstr. Glass
<p>Width = sidelight width + 3/4" (19)</p> <p>Height = sidelight height + 1/2" (13)</p>	<p>Width = sidelight width - 7.84" (199)</p> <p>Height = sidelight height - 16.06" (408)</p>

# WINDOW & DOOR EXTERIOR TRIM



## SECTION REFERENCE

Profiles .....	132-133
A-Series Details .....	134-135
400 Series Details.....	135
Cornice & Decorative Drip Cap Details .....	136

## EXTERIOR TRIM SYSTEM

### ANDERSEN INNOVATION

**A** For exceptional long-lasting\* performance, exterior trim is made from patented Fibrex® material or high-density urethane with low-maintenance exterior finishes.

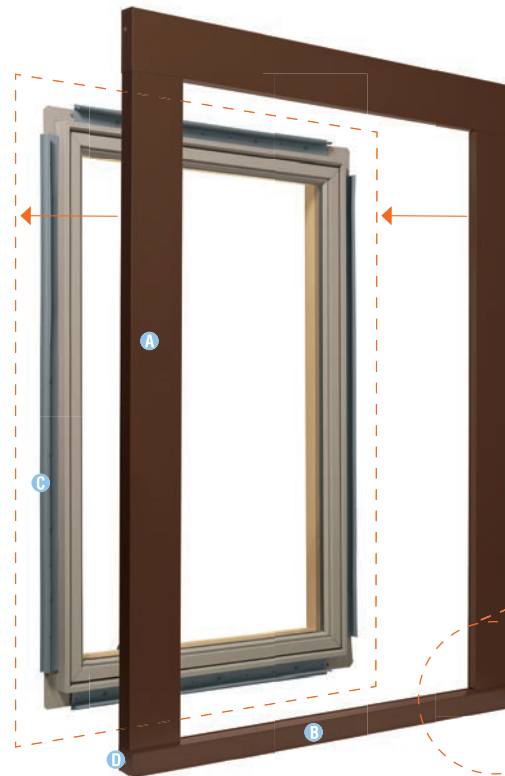
**B** Sill nose profile, made from Fibrex® material, is available for a traditional look.

**C** Trim is securely fastened to the home using factory-applied or field-applied attachment flange. Factory-applied option not available for 400 Series products.

**D** Trim surrounds are assembled with corner keys and stainless fasteners for stability and strength.



Our patented Fibrex® material is an environmentally smart composite that contains 40% pre-consumer reclaimed wood fiber by weight.



Cocoa Bean trim with Sandtone window

#### Drip Caps

Full-length, color-matched aluminum drip cap is included with kits and surrounds.

#### Easier Installation

- Installs independently of water management system
- No nail holes to fill
- No visible fasteners
- No painting

Thick trim profiles overlap the window frame to create clean lines without visible sealant joints.

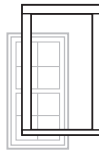


An online trim visualizer and installation guides are available at [andersenwindows.com/exteriortrim](http://andersenwindows.com/exteriortrim).

## FEATURES

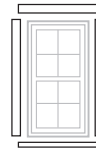
### Preassembled Trim Surrounds

Factory-assembled surrounds install in seconds on A-Series windows with optional factory-applied attachment flange and in about five minutes on 400 Series windows with the field attachment strips.



### Precut Kits

Kits include precut and predrilled trim with all the necessary components for on-site assembly for windows and patio doors up to 12' (3658) in width.



### Individual Trim Components

13' (3962) factory-finished trim lineals, end caps, corner keys, fasteners, metal drip cap and field attachment strip allow for field fabrication and assembly.



## OTHER TRIM OPTIONS

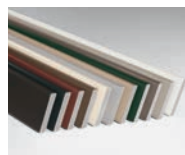
### Curved Trim

Made of highly durable factory-finished urethane material for selected curved shapes. Check your Andersen supplier for availability.



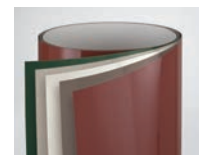
### 3 1/2" (89) Flat Cellular Fibrex® Trim Board

3/4" (19) thick in 10' (3048) lengths and 11 colors. It can be ripped to size and fastened with screws or nails.



### Coil Stock

Factory-finished in 11 colors, our aluminum coil stock allows you to form your own profiles in the field.



\*See the Andersen 20/10 year limited warranty for coverage on Andersen exterior trim applied to 400 Series windows. See the A-Series Limited Warranty for exterior trim applied to A-Series products. Visit [andersenwindows.com/warranty](http://andersenwindows.com/warranty) or contact your Andersen supplier.

Dimensions in parentheses are in millimeters.

## COLORS

Trim can match or complement your window and door colors to create a wide range of combinations.



## STYLE OPTIONS

### PROFILES



**2" (51) Brick Mould**  
 in Canvas color



**3 1/2" (89) or 4 1/2" (114) Flat**  
 in Terratone color



**3 1/2" (89) or 4 1/2" (114) Flat**  
 with extended top (A-Series only)  
 in Red Rock color

### HEAD TRIM OPTIONS

Three styles are available. All can be used with our flat trim and include an integrated nailing flange. The decorative drip cap is made from our patented cellular Fibrex® material. Both the 2" (51) cornice and 3 5/8" (92) cornice are made from highly durable urethane material.



**Decorative Drip Cap**  
 in Forest Green color



**2" (51) Cornice**  
 in Prairie Grass color



**3 5/8" (92) Cornice**  
 in White color

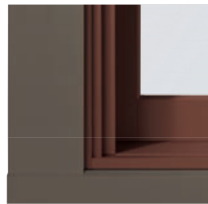
### SILL OPTIONS



**2" (51) Brick Mould** with flush sill  
 Terratone trim with  
 White window



**3 1/2" (89) Flat** with sill nose  
 Prairie Grass trim with  
 Cocoa Bean window



**4 1/2" (114) Flat** with sill nose  
 Terratone trim with  
 Red Rock window



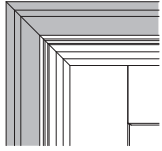
**3 1/2" (89) or 4 1/2" (114) Flat**  
 (A-Series only) White trim with  
 White window



All profiles are available with extended  
 sill nose for A-Series windows.

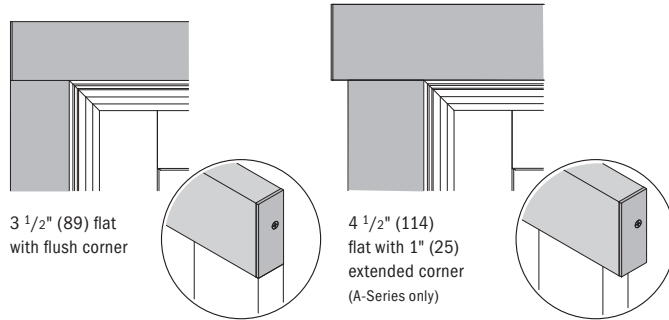


## Brick Mould



Brick mould with mitered corners

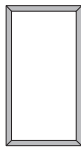
## 3 1/2" Flat & 4 1/2" Flat



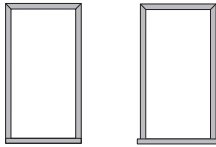
3 1/2" (89) flat with flush corner

4 1/2" (114) flat with 1" (25) extended corner (A-Series only)

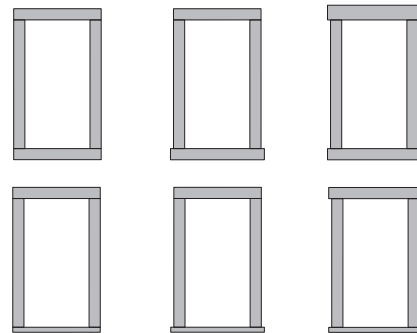
For **A-Series** windows, brick mould can be used on all four sides.



For additional **A-Series** window combinations, use brick mould with sill nose either flush or extended.



For **A-Series** windows, flat trim can be used on all four sides, either flush or extended at the head and/or at the sill. 3 1/2" (89) flat and 4 1/2" (114) flat can be combined.

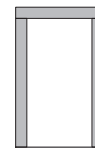


For additional **A-Series** window combinations, use flat trim with sill nose either flush or extended.

For **400 Series** windows, a flush sill nose is standard at the sill with brick mould.



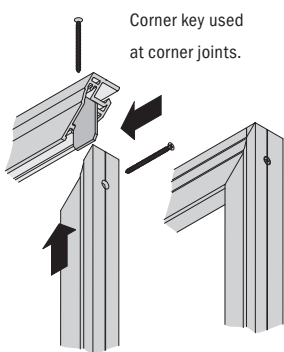
For **400 Series** windows, a flush sill nose is standard at the sill with flat trim.



Formula for dimension of window/door plus exterior trim.  
**Add 1 3/4" (44) per side for brick mould**

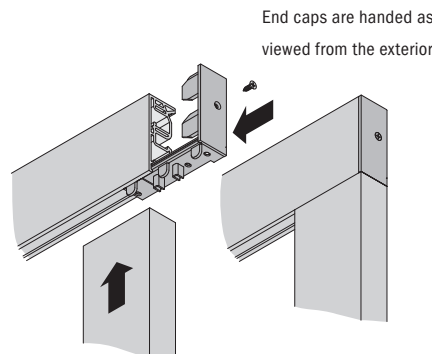
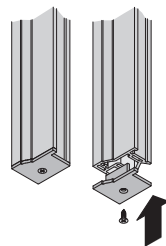
**Cornices or decorative drip cap, shown on next page, can be added over 3 1/2" (89) flat or 4 1/2" (114) flat trim at the head.**

Formula for dimension of window/door plus exterior trim.  
**Add 4 1/4" (108) per side for 4 1/2" (114) flat**  
**Add 3 1/4" (83) per side for 3 1/2" (89) flat**



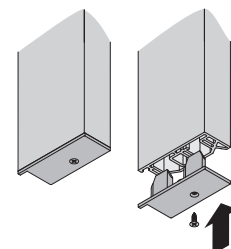
Corner key used at corner joints.

For **A-Series** patio doors end caps are used at the sill.

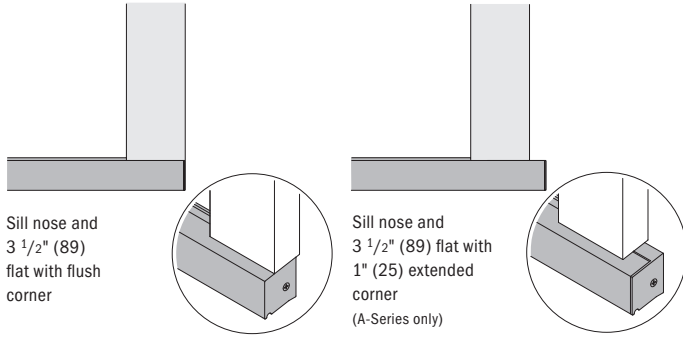


End caps are handed as viewed from the exterior.

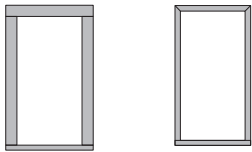
For **A-Series** patio doors, end caps are used at the sill.



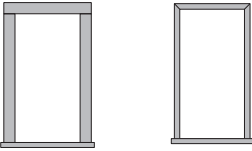
**Sill Nose**



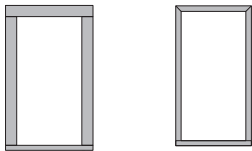
For **A-Series** windows, sill nose can be used flush with flat trim or brick mould.



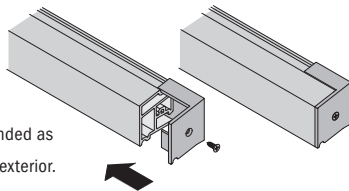
For additional **A-Series** window combinations, use sill nose extended 1" (25).



For **400 Series** windows, a flush sill nose is standard at the sill with flat trim or brick mould.

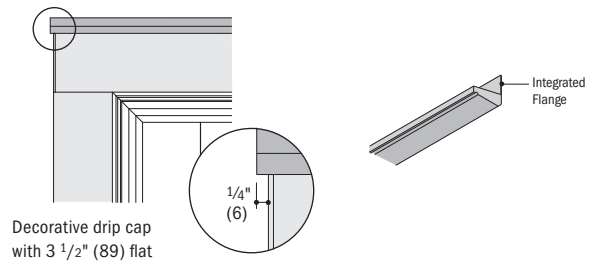
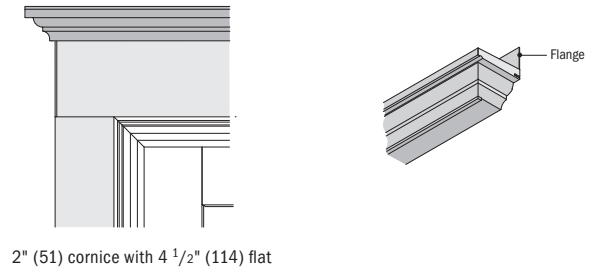
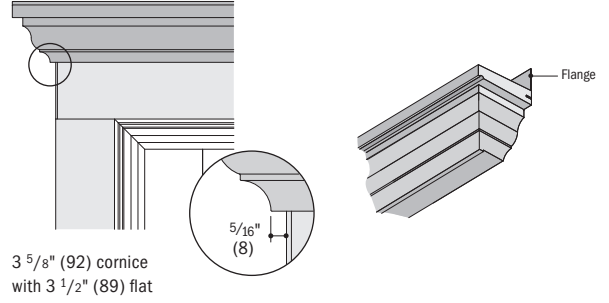


Formula for dimension of window plus exterior trim.  
**Add 1 15/16" (49) for sill nose**

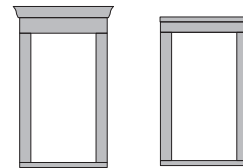


End caps are handed as viewed from the exterior.

**Cornices & Decorative Drip Cap**



For **A-Series** windows and patio doors and **400 Series** windows, use cornice or decorative drip cap with 3 1/2" (89) or 4 1/2" (114) flat.

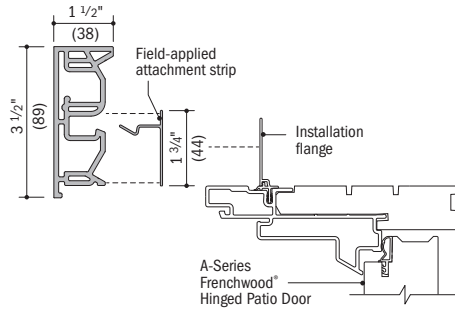


• Typical trim combinations shown. Additional combinations may also be used. Some restrictions apply. For more information contact your Andersen supplier.

## A-Series Window & Patio Door Attachment

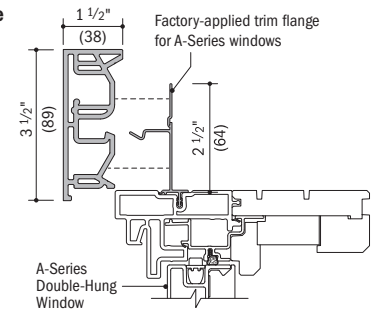
### Field-Applied Attachment Strip

Field-applied attachment strip fastens to framing through window or patio door installation flange and flashing tape with screws. Exterior trim connects securely to the field-applied attachment strip.



### Factory-Applied Trim Flange

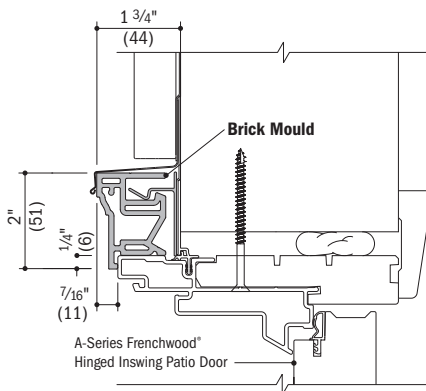
Factory-applied trim flanges are available for A-Series windows only. Exterior trim connects securely to the trim flange already in place.



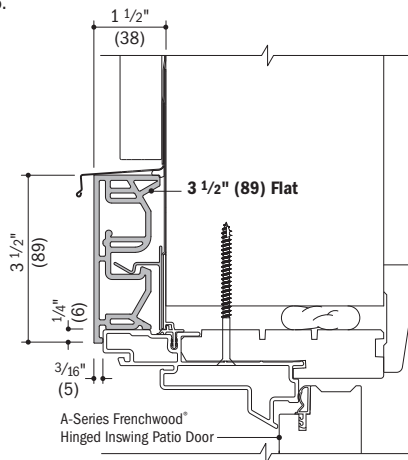
## A-Series Window & Patio Door Details

Scale 3" (76) = 1'-0" (305) – 1:4

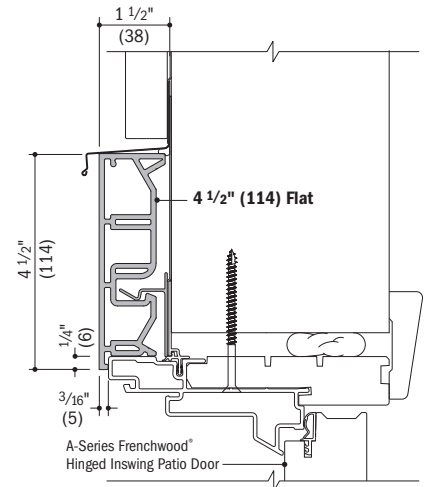
Cornice and decorative drip cap details shown on page 136.



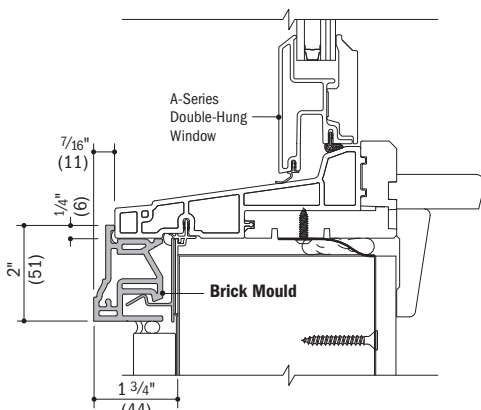
**Vertical Section**  
Brick Mould/A-Series Frenchwood® Hinged Inswing Patio Door



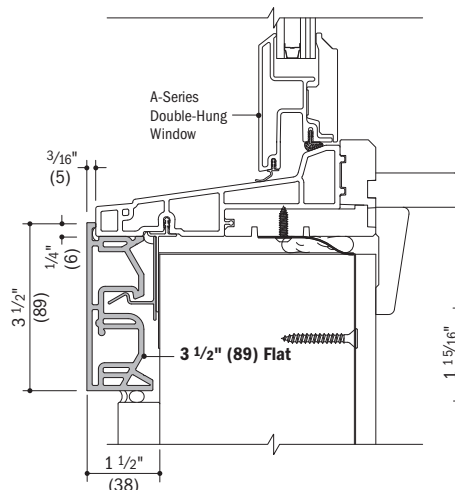
**Vertical Section**  
3 1/2" (89) Flat/A-Series Frenchwood® Hinged Inswing Patio Door



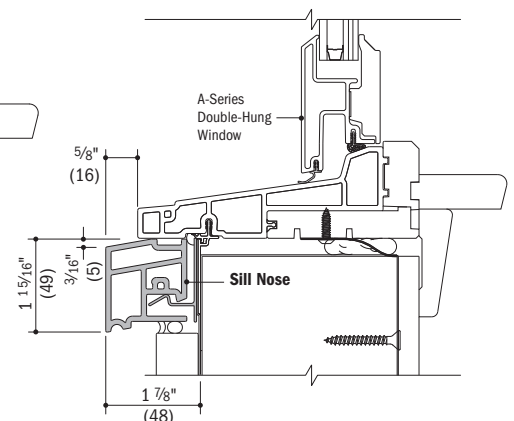
**Vertical Section**  
4 1/2" (114) Flat/A-Series Frenchwood® Hinged Inswing Patio Door



**Vertical Section**  
Brick Mould/A-Series Double-Hung Window



**Vertical Section**  
3 1/2" (89) Flat/A-Series Double-Hung Window



**Vertical Section**  
Sill Nose/A-Series Double-Hung Window

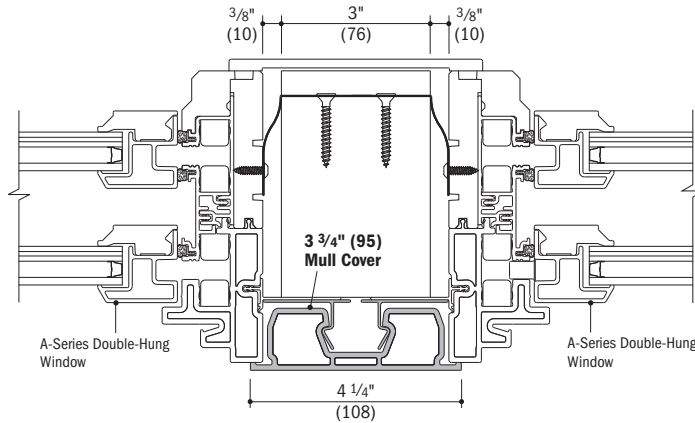
- Typical trim combinations shown. Additional combinations may also be used. Some restrictions apply. For more information contact your Andersen supplier.
- Dimensions in parentheses are in millimeters.
- Details are for illustration only and are not intended to represent product installation methods or materials. Refer to product installation guides at [andersenwindows.com](http://andersenwindows.com).

**Mull Cover**

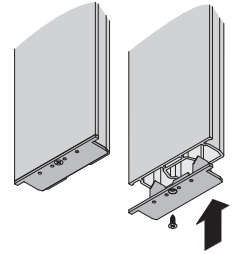
3 3/4" (95) mull cover is available for installations where windows or patio doors have been installed into separate rough openings to obtain a joined appearance.

Available for A-Series windows and patio doors and 400 Series windows.

**Separate Rough Opening Detail** Scale 3" (76) = 1'-0" (305) – 1:4



For A-Series patio doors, end caps are used at the sill.



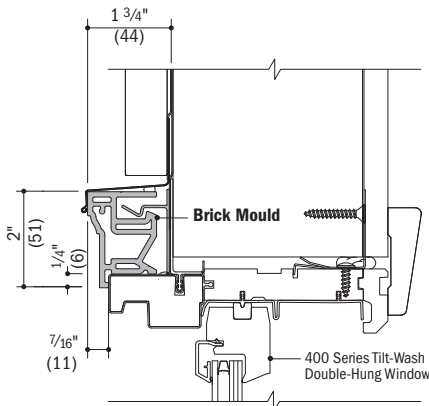
**Horizontal Section**

A-Series Double-Hung Window/Mull Cover/A-Series Double-Hung Window

**400 Series Window Details**

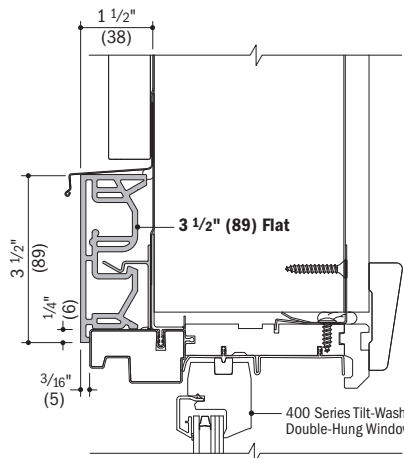
Scale 3" (76) = 1'-0" (305) – 1:4

Cornice and decorative drip cap details shown on page 136.



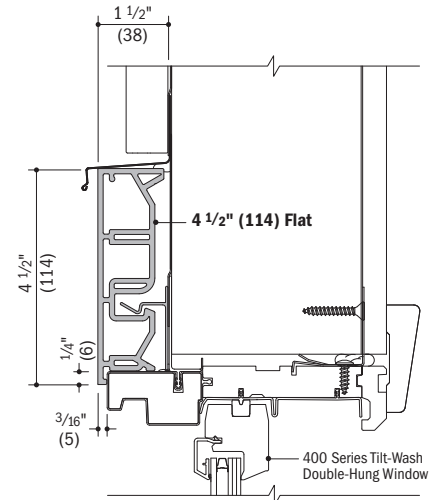
**Vertical Section**

Brick Mould/400 Series Tilt-Wash Double-Hung Window



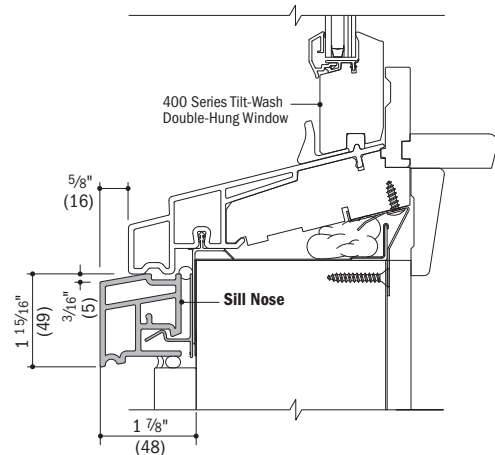
**Vertical Section**

3 1/2" (89) Flat/400 Series Tilt-Wash Double-Hung Window



**Vertical Section**

4 1/2" (114) Flat/400 Series Tilt-Wash Double-Hung Window



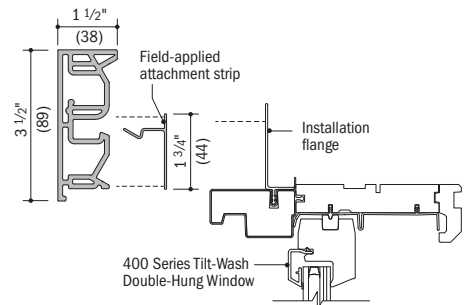
**Vertical Section**

Sill Nose/400 Series Tilt-Wash Double-Hung Window

**400 Series Window Attachment**

**Field-Applied Attachment Strip**

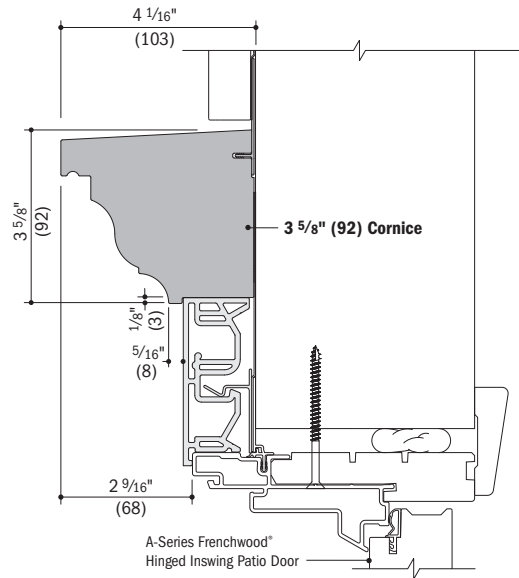
Field-applied attachment strip fastens to framing through window or patio door installation flange and flashing tape with screws. Exterior trim connects securely to the field-applied attachment strip.



- Typical trim combinations shown. Additional combinations may also be used. Some restrictions apply. For more information contact your Andersen supplier.
- Dimensions in parentheses are in millimeters.
- Details are for illustration only and are not intended to represent product installation methods or materials. Refer to product installation guides at andersenwindows.com.
- Consult with an architect or structural engineer regarding minimum requirements for structural support members between adjacent rough openings.

## A-Series Details

Scale 3" (76) = 1'-0" (305) – 1:4

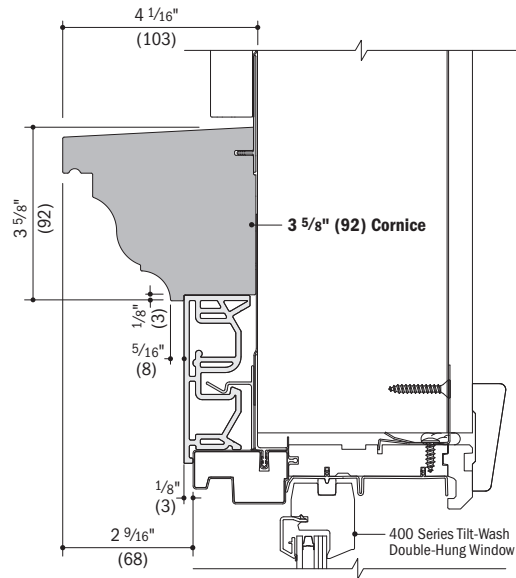


**Vertical Section**

3 5/8" (92) Cornice/3 1/2" (89) Flat/A-Series Frenchwood® Hinged Inswing Patio Door

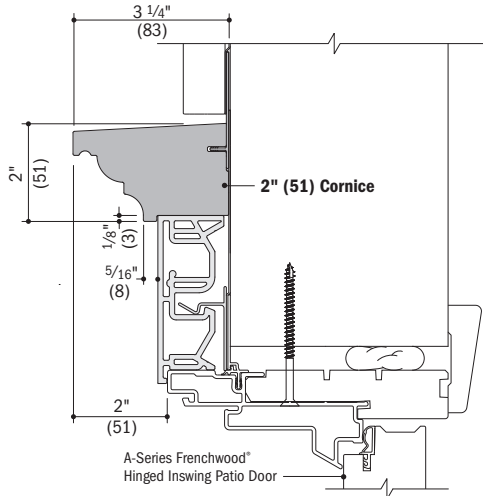
## 400 Series Details

Scale 3" (76) = 1'-0" (305) – 1:4



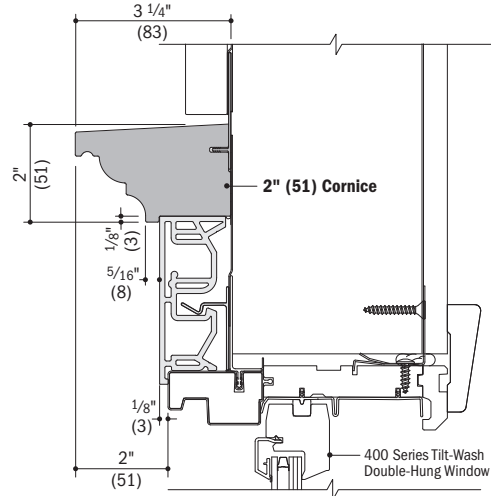
**Vertical Section**

3 5/8" (92) Cornice/3 1/2" (89) Flat/400 Series Tilt-Wash Double-Hung Window



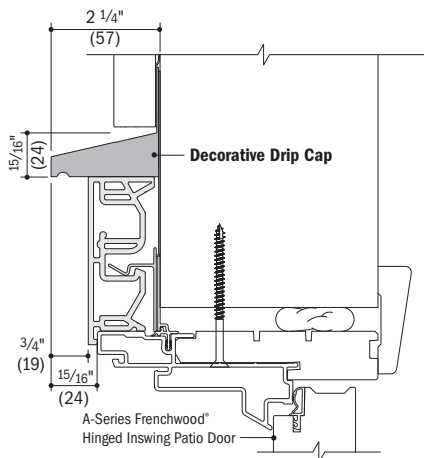
**Vertical Section**

2" (51) Cornice/3 1/2" (89) Flat/A-Series Frenchwood® Hinged Inswing Patio Door



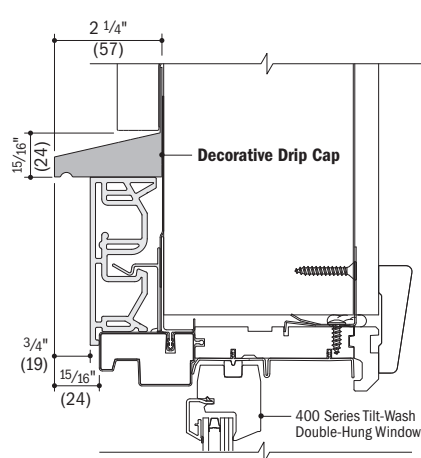
**Vertical Section**

2" (51) Cornice/3 1/2" (89) Flat/400 Series Tilt-Wash Double-Hung Window



**Vertical Section**

Decorative Drip Cap/3 1/2" (89) Flat/A-Series Frenchwood® Hinged Inswing Patio Door



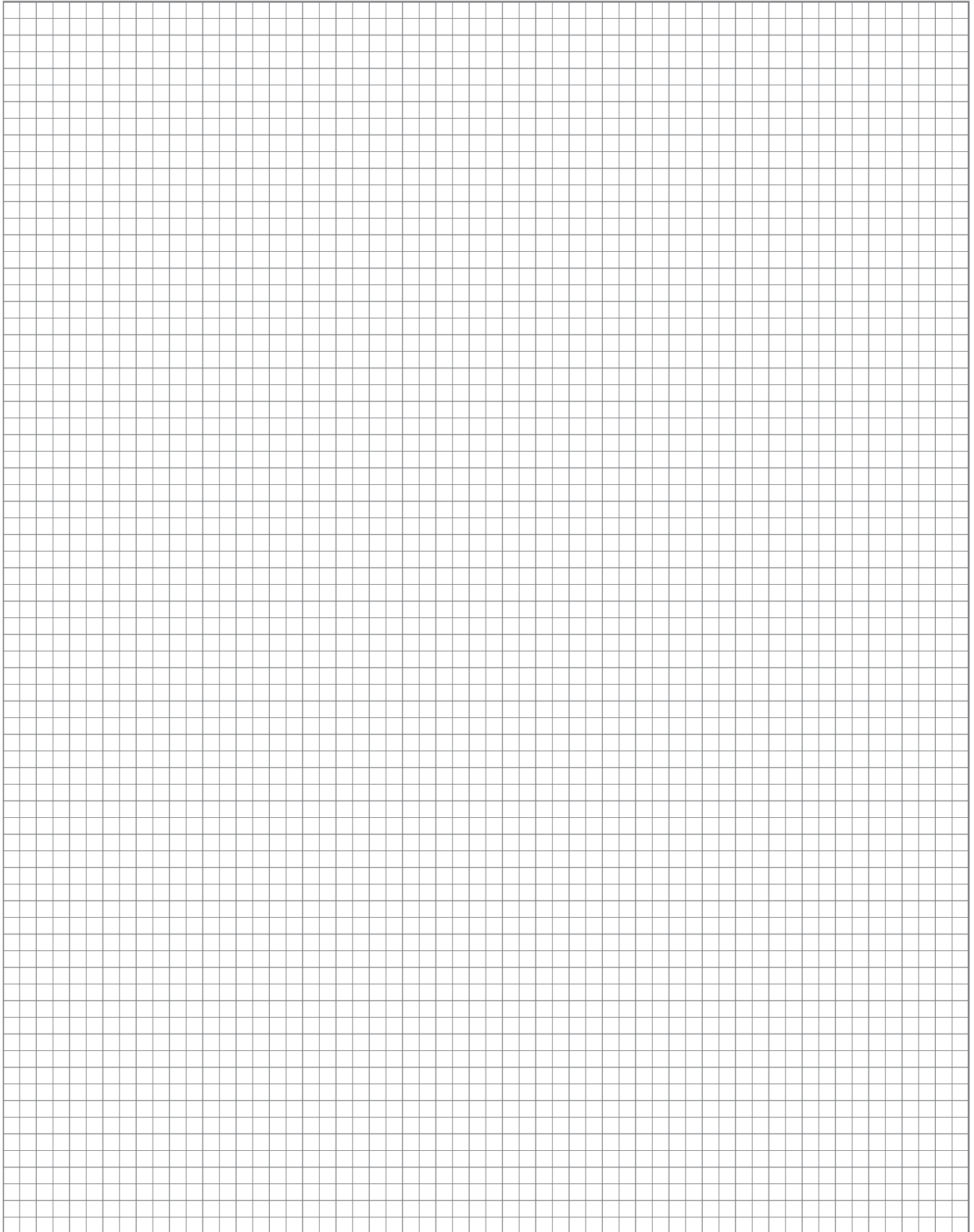
**Vertical Section**

Decorative Drip Cap/3 1/2" (89) Flat/400 Series Tilt-Wash Double-Hung Window

- Typical trim combinations shown. Additional combinations may also be used. Some restrictions apply. For more information contact your Andersen supplier.
- Dimensions in parentheses are in millimeters.
- Details are for illustration only and are not intended to represent product installation methods or materials. Refer to product installation guides at [andersenwindows.com](http://andersenwindows.com).



# NOTES





# 400 SERIES

## COASTAL WINDOWS





## TESTED BY MOTHER NATURE. APPROVED BY FATHER TIME.

**Andersen® 400 Series windows with Stormwatch® protection not only offer true value, many of their components have been time-tested and proven in coastal applications since 1966.**

With their durable Perma-Shield® exteriors, classic blend of engineering and craftsmanship, plus extensive styles, shapes and sizes, these are the coastal versions of the windows that have helped make Andersen the most recognized window brand in America.

When you choose 400 Series coastal windows, you're not getting just any windows. You're getting windows that have helped forge our reputation for designing and building products that are among the best performing in the industry.



**StormWATCH®**  
P R O T E C T I O N

# THE BEAUTY

## YOUR CUSTOMERS WANT

---

**Beauty is in the eye of the beholder.  
And the beholder is always your customer.**

That's why 400 Series windows with Stormwatch® protection come with a large selection of shapes, styles, options and accessories. With Andersen® 400 Series coastal windows, it's easy to give your customers the home they've always wanted.



### COLOR CHOICES & COMBINATIONS

Mix and match from six exterior window colors and 11 exterior trim colors.

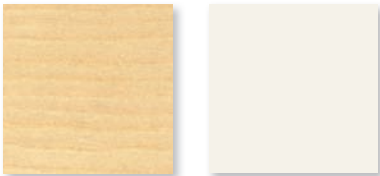
*For more information, see page 142.*



### HARDWARE & HARDWARE FINISHES

With our wide selection of hardware finishes, your customers can easily complement their décor, whether they're looking to match a faucet or a chandelier.

*For more information, see pages 144–145.*



### BEAUTIFUL INTERIOR OPTIONS

400 Series coastal windows are available in pine or prefinished white interior options to fit your customers' décor.

*For more information, refer to individual product sections.*



### GRILLE & DIVIDED LIGHT OPTIONS

Whether you need a classic grille pattern or a custom design, you can get it with 400 Series coastal windows.

*For more information, see page 147.*



### ART GLASS

Available for 400 Series windows only, in 11 original patterns, including four Frank Lloyd Wright® Series designs.

*For more information, see page 149.*

"Frank Lloyd Wright" is a registered trademark of the Frank Lloyd Wright Foundation.

# THE PERFORMANCE

## YOUR CUSTOMERS NEED

Beauty is one thing. Beauty that endures is an Andersen® 400 Series window with Stormwatch® protection.

From their time-proven Perma-Shield® exterior cladding to their wide selection of impact-resistant glass, they're designed to withstand nature's worst and still look their best for years to come.



### TIME-TESTED, LOW-MAINTENANCE PERMA-SHIELD® EXTERIORS

A well-proven asset in coastal areas, Perma-Shield vinyl cladding resists salt spray and sea air, resists dents and never needs painting.\*



### ENERGY-EFFICIENT DESIGN

Saving energy is important to us. That goes for the energy efficiency of our 400 Series coastal windows as well as for our manufacturing processes that produce them. Because of this, Andersen Corporation has earned the 2013 ENERGY STAR® Partner of the Year – Sustained Excellence Award.

Visit [andersenwindows.com/energystar](http://andersenwindows.com/energystar) for more information.



### SUPERIOR PERFORMANCE RATINGS

400 Series windows with Stormwatch protection feature performance ratings up to PG70.\*\* In addition, they are designed to satisfy†:

- Large missile impact test ASTM/E1886/E1996
- Miami-Dade TAS 201, 202, 203
- AAMA/WDMA/CSA 101/I.S.2 A440-08

### NEVER NEEDS PAINTING

The Perma-Shield® exteriors on Andersen® windows and doors won't peel, blister, flake or corrode\*, so they are virtually maintenance-free. They come in six popular colors: White, Canvas, Sandtone, Terratone, Forest Green and Dark Bronze.

### STRUCTURAL REINFORCEMENTS FOR COASTAL APPLICATIONS

400 Series windows with Stormwatch® protection feature a range of structural enhancements that allow them to withstand harsh weather conditions. Enhancements include impact-resistant glass; high-strength silicone glazing; frame and sash reinforcements; heavy-duty hardware and additional locks.

### GET ONLY THE UPGRADES YOU NEED

Some codes don't require impact-resistant glass. For these situations, Performance Grade (PG) upgrades are available for many standard 400 Series windows. Options are listed in each product section. Also, see your Andersen supplier for more details.



### INDUSTRY-LEADING, TRANSFERABLE WARRANTY

Most other window warranties end when a home is sold. Our coverage transfers from each owner to the next for 10 years. And, because it's not prorated, our coverage offers benefits year after year, owner after owner — which is a real selling point for your customers.

\*Visit [andersenwindows.com/warranty](http://andersenwindows.com/warranty) or contact your Andersen supplier for details on the 400 Series with Stormwatch® protection and impact-resistant glass Limited Warranty.

\*\*See the performance section for specific unit performance. For up-to-date performance values, visit [andersenwindows.com](http://andersenwindows.com)  
†See your local code official for building code requirements in your area.





## CUSTOMER-PLEASING EXTERIOR OPTIONS

400 Series coastal windows are available in our most popular colors and with a wide selection of exterior trim options. Even in the face of the worst coastal weather, our exteriors are virtually maintenance-free, hold their original vibrant colors, never need painting, and won't flake, rot, blister, peel, pit or corrode.\*

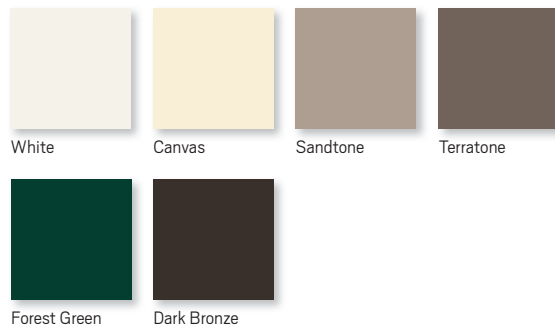


Red Rock trim with Sandtone window

## COLOR CHOICES & COMBINATIONS

Trim and window colors can be mixed and matched to give your customers the look they want.

### WINDOW COLORS



### TRIM COLORS



\*See the Andersen 20/10 year limited warranty for coverage on Andersen exterior trim and 400 Series windows. Visit [andersenwindows.com/warranties](http://andersenwindows.com/warranties) or contact your Andersen supplier. Printing limitations prevent exact color duplication. See your Andersen supplier for actual color samples.

## INNOVATIVE EXTERIOR TRIM INSTALLS IN ABOUT 5 MINUTES

Andersen® exterior trim surrounds install in about five minutes, allowing you to achieve virtually any architectural style with ease. They eliminate measuring, cutting, mitering and filling nail holes while providing an exceptional fit and finish.

- Trim system is independent of the window or door's water management system
- Prebuilt exterior trim surrounds are ready to install, saving time on the jobsite
- For large units, precut trim kits enable quick assembly on-site
- Trim is available to complement a wide range of architectural styles



**TIME-SAVING AND  
COST-EFFECTIVE**

## STYLES



**2" (51) Brick Mould with sill nose**  
Dove Gray trim with Terratone window



**3 1/2" (89) Flat with sill nose**  
Dark Bronze trim with White window



**4 1/2" (114) Flat with sill nose**  
Canvas trim with Forest Green window

## HEAD TRIM OPTIONS



**Decorative Drip Cap**



**2" (51) Cornice**



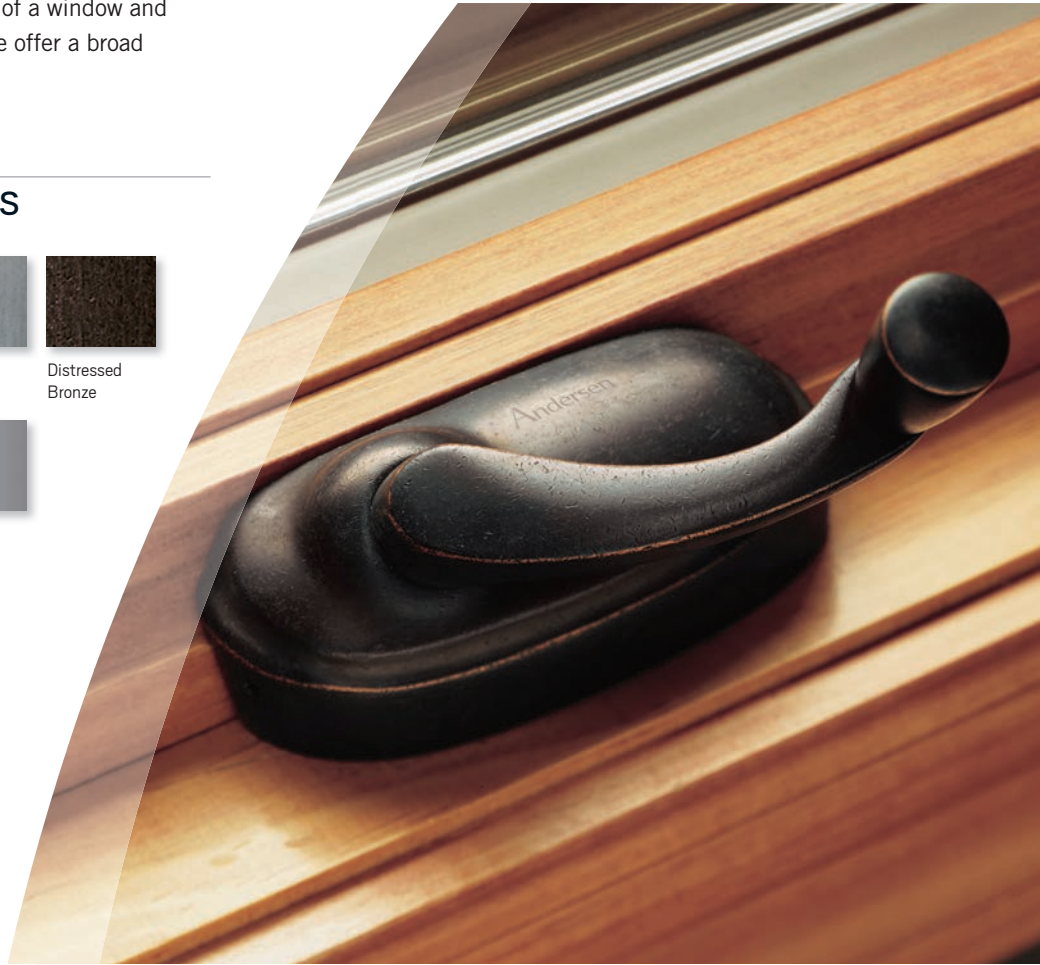
**3 5/8" (92) Cornice**

Dimensions in parentheses are in millimeters.

# HARDWARE & INTERIOR OPTIONS

Window hardware enhances the overall design of a window and harmonizes with a home's décor. That's why we offer a broad range of hardware styles and finishes.

## ANDERSEN® HARDWARE FINISHES



## INTERIOR FINISH OPTIONS

Warm, beautiful pine can be painted or stained to match virtually any décor. Low-maintenance, prefinished white interiors save painting time on the jobsite and feature a smoother surface than can be painted by hand.



Naturally occurring variations in grain, color and texture of wood make each window one of a kind. All wood interiors are unfinished unless prefinished White is specified.

Printing limitations prevent exact duplication of colors and finishes. See your Andersen supplier for actual finish samples.





CASEMENT & AWNING HARDWARE OPTIONS\*

CLASSIC SERIES™



Stone | **White**

ESTATE™



**Antique Brass** | Bright Brass | Brushed Chrome  
Distressed Bronze | Distressed Nickel | Oil Rubbed Bronze  
Polished Chrome | Satin Nickel

TRADITIONAL FOLDING



Antique Brass | Black | Bright Brass  
**Distressed Bronze** | Distressed Nickel | Gold Dust  
Oil Rubbed Bronze | Satin Nickel | Stone | White

CONTEMPORARY FOLDING



Black | Bright Brass | Gold Dust | Oil Rubbed Bronze  
**Satin Nickel** | Stone | White

Folding window hardware eliminates interference with window treatments.

*Bold name denotes finish shown.*



Casement locking mechanism

OPTIONAL DOUBLE-HUNG HARDWARE\*  
(PG UPGRADE UNITS ONLY)

ESTATE™

Lock & Keeper



Antique Brass | **Bright Brass** | Brushed Chrome  
Distressed Bronze | Distressed Nickel | Oil Rubbed Bronze  
Polished Chrome | Satin Nickel



Black | Gold Dust | Oil Rubbed Bronze  
Satin Nickel | **Stone** | White

Optional Estate lock & keeper reduces the clear opening height by 9/16" (14). Check with local building code officials to determine compliance with egress requirements.



Black | **Gold Dust** | Stone | White

Stone is standard with natural interior units. White finish comes with prefinished White interiors.

*Bold name denotes finish shown.*

STANDARD DOUBLE-HUNG HARDWARE

\*All Andersen® hardware is sold separately except standard double-hung hardware. Distressed Bronze and Oil Rubbed Bronze are "living" finishes that will change with time and use.

# GLASS OPTIONS

400 Series windows with Stormwatch® protection come standard with Low-E4® laminated glass. We also offer a graduated combination of upgrades that allow you to order the exact glass and structural enhancements you need to comply with virtually any coastal building requirement.\* Some 400 Series windows with impact-resistant glass meet ENERGY STAR® Version 5.0 criteria in all 50 states. Visit [andersenwindows.com/energystar](http://andersenwindows.com/energystar) to verify that the product and glass meet ENERGY STAR® criteria in your area.



**LOW-E4 IMPACT-RESISTANT GLASS** provides all the benefits of monolithic impact-resistant glass (shown far right), while adding an insulating air space that helps keep homes cool in the summer and warm in the winter.



**LOW-E4 SMARTSUN™ IMPACT-RESISTANT GLASS** delivers the benefits of Low-E4® glass, plus it helps shield homes from the sun's heat and filters out 95% of harmful UV rays while letting the sunlight shine through.



**LOW-E4 SUN IMPACT-RESISTANT GLASS** is tinted for maximum protection from the effects of intense sunlight and provides all the benefits of Low-E4 glass.



**MONOLITHIC IMPACT-RESISTANT GLASS** is reinforced with a clear plastic laminate sandwiched between two panes to resist impact, forced entry and unwanted noise. Choose from clear or gray.

Non-impact-resistant glass options are also available for Performance Grade (PG) upgrade windows.

Visit [andersenwindows.com](http://andersenwindows.com) or see your Andersen supplier.

## PERFORMANCE COMPARISON OF ANDERSEN® IMPACT-RESISTANT GLASS OPTIONS

GLASS	ENERGY		LIGHT	
	U-FACTOR	SOLAR HEAT GAIN COEFFICIENT	VISIBLE LIGHT TRANSMITTANCE	UV PROTECTION
	How well a product prevents heat from escaping.	How well a product blocks heat caused by sunlight.	How much visible light comes through a product.	How well a product blocks ultraviolet rays.
<b>SmartSun™</b> Our best overall thermal performance.	● ● ● ○	● ● ● ●	● ● ● ○	● ● ● ●
<b>Low-E4®</b> Outstanding overall thermal performance for climates where both heating and cooling costs are a concern.	● ● ● ○	● ● ● ○	● ● ● ○	● ● ● ○
<b>Sun**</b> Outstanding thermal performance in southern climates where less solar heat gain is desired.	● ● ● ○	● ● ● ●	● ○ ○ ○	● ● ● ○
<b>Clear Monolithic†</b> Clear plastic laminate between two panes to resist impact, forced entry, sun damage and unwanted noise.	○ ○ ○ ○	○ ○ ○ ○	● ● ● ●	● ● ○ ○
<b>Gray Monolithic††</b> All the benefits of Clear Monolithic glass but tinted to further block heat caused by sunlight.	○ ○ ○ ○	● ○ ○ ○	● ● ○ ○	● ● ● ○



### TIME-SAVING TRANSLUCENT FILM

We help protect all of our products during delivery and construction with a translucent film on the glass. It also minimizes time spent masking on the jobsite, then peels away for a virtually spotless window. For details, contact your Andersen supplier.

\*See your local code official for building code requirements in your area.

\*\*Low-E4® Sun impact-resistant glass and Gray Monolithic impact-resistant glass each satisfy Florida Turtle Code.

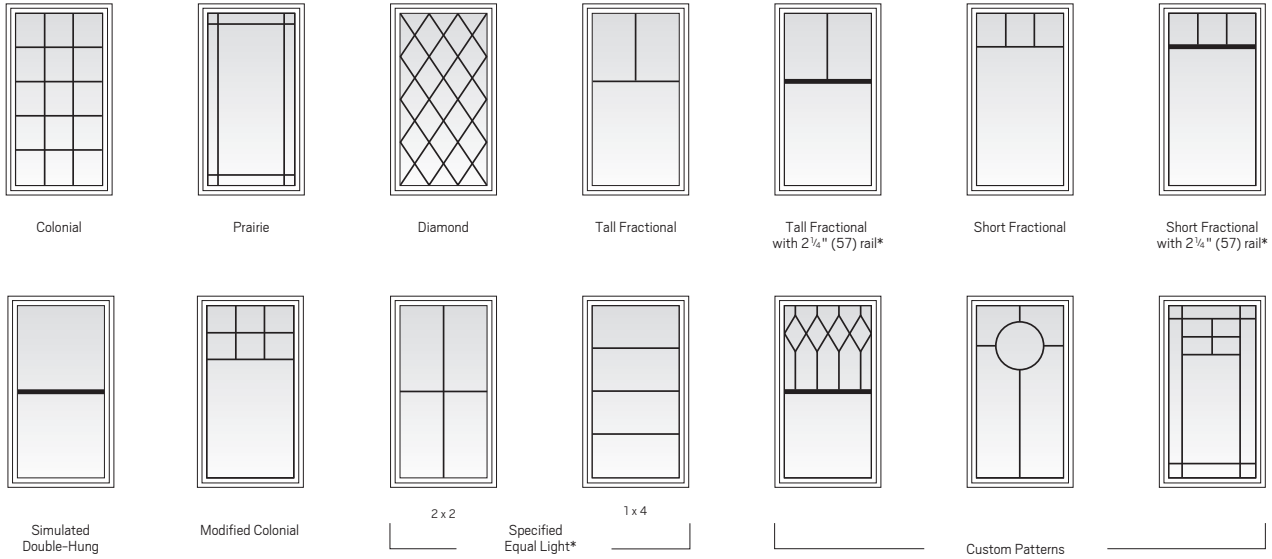
Chart data based on casement windows without grilles.



# GRILLE OPTIONS

Andersen® 400 Series coastal windows are available with grille patterns, widths and configurations to fit any architectural style or the taste of any customer. We can match virtually any existing grille, and we'll even work with you and your customers to create custom patterns.

**NOTE:** Some grille patterns not available in all configurations and products.



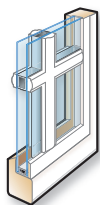
Our 2 1/4" (57) grille can make a casement window look like a double-hung window.

To see all of the standard patterns available for a specific window, refer to the detailed sections in the product guide for each product or contact your Andersen supplier.

## GRILLE CONFIGURATIONS

### FULL DIVIDED LIGHT

For an authentic look, full divided light grilles are permanently applied to the interior and exterior of the window with a spacer between the glass.



Permanent Exterior  
Permanent Interior  
with Spacer

### SIMULATED DIVIDED LIGHT

Simulated divided light offers permanent grilles on the exterior and interior with no spacer between the glass. We also offer permanent exterior grilles with removable interior grilles in natural wood or prefinished white.



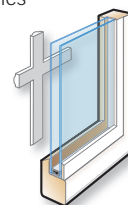
Permanent Exterior  
Permanent Interior



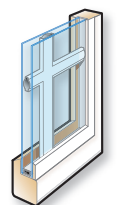
Permanent Exterior  
Removable Interior

### CONVENIENT CLEANING OPTIONS

Removable interior grilles come off for easy cleaning. Andersen® Finelight™ grilles are installed between the glass panes and feature a contoured 3/4" (19) profile.



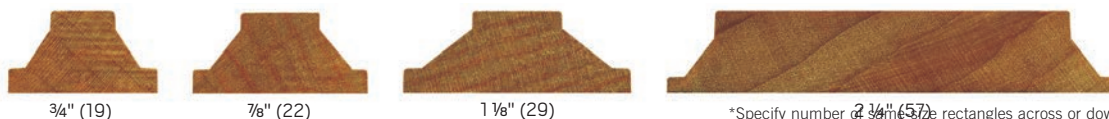
Removable  
Interior Grille



Finelight Grilles-  
Between-the-  
Glass\*\*

## GRILLE WIDTHS (ACTUAL SIZE SHOWN)

**SHOWN:** Cross sections of grilles showing standard widths and profiles.



\*Specify number **2 1/4" (57)** for rectangles across or down. Some restrictions apply.  
\*\*3/8" (22), 1 1/8" (29) and 2 1/4" (57) not available in Finelight Grilles-Between-the-Glass.  
Dimensions in parentheses are in millimeters.

# INSECT SCREENS

Optional insect screens are available for all 400 Series coastal windows. Choose aluminum insect screens or TruScene® insect screens for a more unobstructed view.

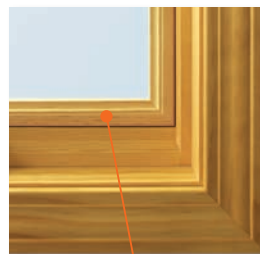
## TRUSCENE® INSECT SCREENS

Made with a micro-fine stainless steel mesh, exclusive Andersen® TruScene insect screens provide more than 50% greater clarity than our conventional insect screens. And they let in more fresh air and sunlight, while doing a better job of keeping out small insects.

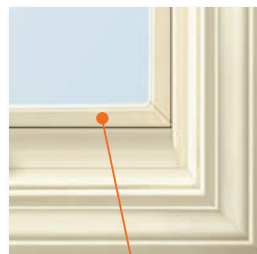


## FRAME OPTIONS FOR INSECT SCREENS

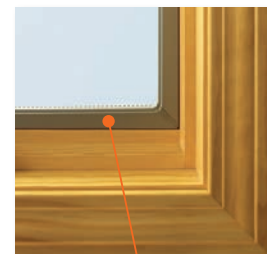
For casement and awning windows, TruScene insect screen frames are available in Stone, White or natural pine veneer that can be stained to match the window interior. Insect screen frames for all other windows are installed on the exterior of the window and match the unit's exterior color.



Pine



White



Stone

# ART GLASS

Art glass can help you add interest, create focal points and make your work stand out from your competitors. We offer three distinctly different series of art glass panels for our 400 Series coastal windows that complement any home's architecture.

For more information, visit [andersenwindows.com/artglass](http://andersenwindows.com/artglass)



**NOTICE:**  
Frank Lloyd Wright Series art glass patterns are no longer available.

## FRANK LLOYD WRIGHT® SERIES

Each of the four patterns inspired by renowned architect Frank Lloyd Wright remains true to the principles of Wright's original work: simplicity, unity and nature.



Eucalyptus



Wichita



Colonnade



Prairie Rhythm

## CLASSIC SERIES

Create a classic look with five different styles that represent major architectural design themes from the late 1800s through the 1930s, as well as a Southwestern-inspired design.



Diamond Lights



Lotus



Regency



Victoria

## ARTISAN SERIES

Two designs influenced by 20th century American and European architectural schools feature striking visual patterns that evoke an extraordinary blend of art and nature.



Harmonics



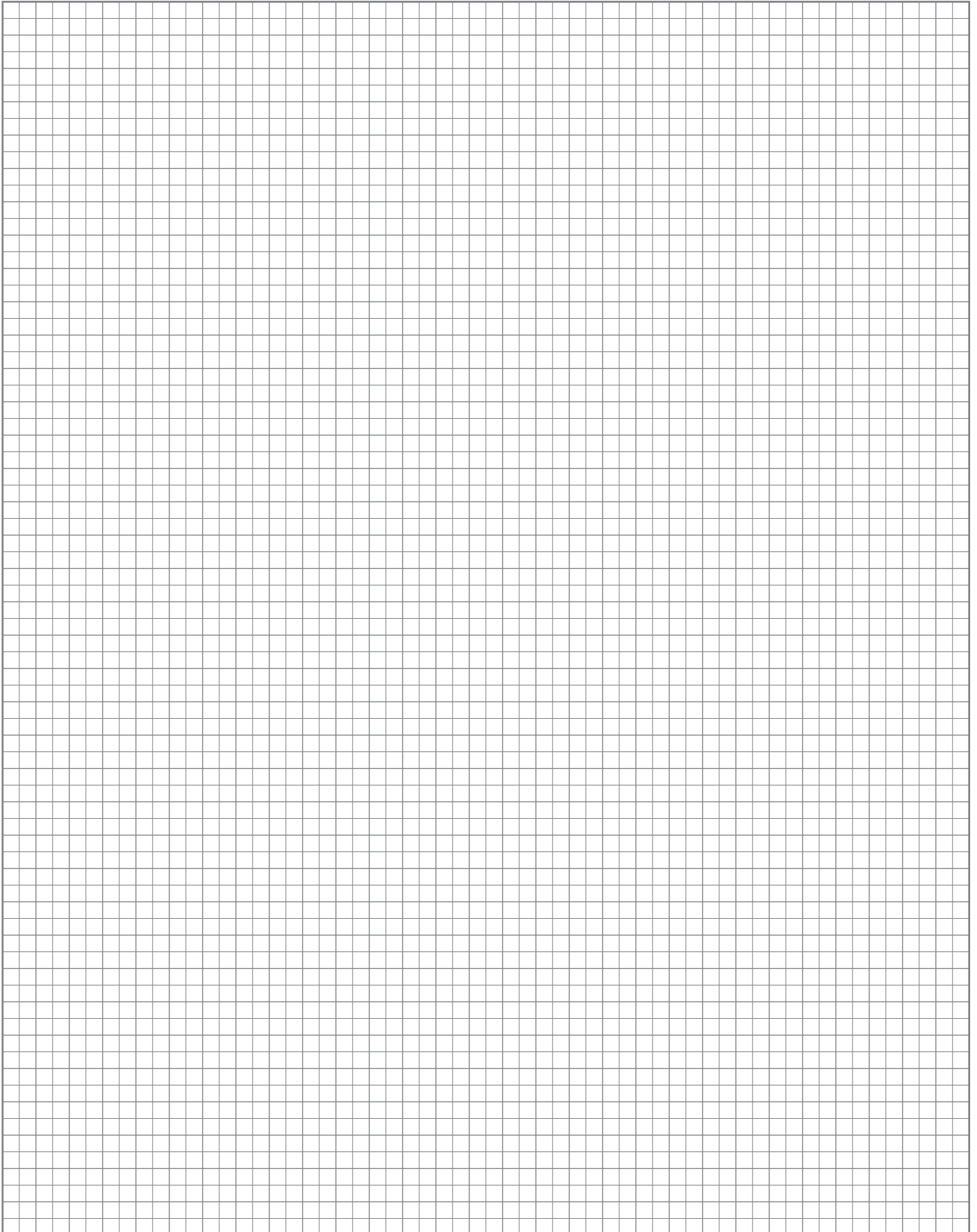
Affinity



Taos

"Frank Lloyd Wright" is a registered trademark of the Frank Lloyd Wright Foundation.

# NOTES





# CASEMENT & AWNING WINDOWS

**CUSTOM SIZING!**

in 1/8" (3) increments



## SECTION REFERENCE

Alignment Grid.....	154–155
Table of Sizes.....	156–159
Specifications .....	160–163
Grille Patterns .....	163
Window Details .....	164–165
Joining Details.....	166
Custom Sizing.....	167–168
Art Glass Options .....	149
Combination Designs .....	193–202
Performance Data.....	203–215
Warranty.....	221

Dimensions in parentheses are in millimeters.



Lighthouse icon indicates differences from standard unit.

## FEATURES

### Frame

**A** A seamless one-piece, rigid vinyl frame cover is secured to the exterior of the frame to protect the wood frame from moisture and maintain an attractive appearance while minimizing maintenance.

**B** Venting units have a full-length, corrosion-resistant exterior frame snigger, adding rigidity to the unit.

**C** The seamless rigid exterior vinyl cover extends 1 3/8" (35) around the perimeter of the unit. This creates a flange to help seal the unit to the structure.

**D** Wood frame members are treated with a water-repellent preservative for long-lasting\* protection and performance.

**E** Interior stops are unfinished pine. Low-maintenance prefinished White interiors are also available.

### Sash

**F** Rigid vinyl encases the entire sash — a vinyl weld protects each sash corner for superior weathertightness. It maintains an attractive appearance and minimizes maintenance.

**G** Wood core members provide excellent structural stability and energy efficiency.

**H** Flexible bulb weatherstripping or vinyl closed-cell foam weatherstripping is factory installed on the perimeter of the sash.

**I** A hinge-side sash stiffener bar has been added to the sash of C55 and C6 height windows. On nonventing windows, the sash is held in place with sash clips that use screws instead of standard staples, providing the rigid frame and sash connection that is needed to withstand greater design pressures.

### Glass

**I** A glazing bead and silicone provide superior weathertightness and durability.

**I** Silicone is applied to the full perimeter of the glass on the interior side of the pane to add strength and stability.



**J** Consult local building codes for glass most suitable to your area. High-performance glass options include:

- Low-E4® glass (PG Upgrade)
- Low-E4 SmartSun™ glass (PG Upgrade)
- Low-E4 Sun glass (PG Upgrade)
- Low-E4 impact-resistant glass
- Low-E4 SmartSun impact-resistant glass
- Low-E4 Sun impact-resistant glass
- Low-E4 tempered impact-resistant glass options available
- Impact-resistant Monolithic Clear glass
- Impact-resistant Monolithic Gray glass

A removable translucent film helps shield the glass from damage during delivery and construction and simplifies finishing at the jobsite.

### Hardware

The Smooth Control™ hardware system employs a worm gear drive for easy operation. Units with a split-arm operator move the sash away from the frame to provide easier glass cleaning.

**I** Operators and hinges are attached with additional screws for improved strength and stability.

On casement windows, a single-actuation lock releases the sash for easy opening while the reach-out action eliminates binding when closing. The lock handle is offered in finishes that coordinate with your specified hardware style option.

**I** Some sizes have an additional lock for added reinforcement. C2-C25 sizes have a single lock. C3-C35 sizes have two locks. C4-C6 sizes have three locks.

### Awning Sash Locks



Awning sash locks provide an added measure of security and weathertightness. Hardware style and finish options are compatible with Andersen® casement windows to ensure consistency in appearance when used in combination designs.

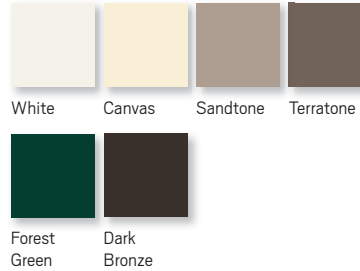
### Installation System

**I** The installation system includes 1 1/2" (38) by 3" (76) stainless steel installation clips for additional reinforcement.

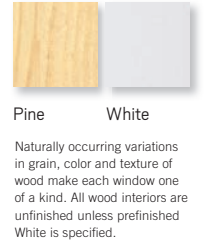
The installation clips are screwed to the frame and fastened to the rough opening for secure installation. Optional 6" (152) clips are available for use with factory-applied or preapplied extension jambs.



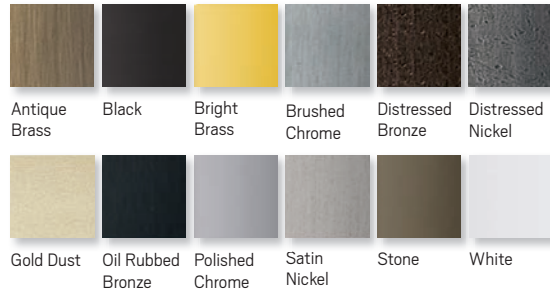
## EXTERIOR



## INTERIOR



## HARDWARE FINISHES



## CASEMENT & AWNING HARDWARE OPTIONS

### CLASSIC SERIES™



Stone | **White**

### ESTATE™



**Antique Brass** | Bright Brass  
Brushed Chrome | Distressed Bronze  
Distressed Nickel | Oil Rubbed Bronze  
Polished Chrome | Satin Nickel

### TRADITIONAL FOLDING



Antique Brass | Black | Bright Brass  
**Distressed Bronze** | Distressed Nickel  
Gold Dust | Oil Rubbed Bronze  
Satin Nickel | Stone | White

### CONTEMPORARY FOLDING



Black | Bright Brass  
Gold Dust | Oil Rubbed Bronze  
**Satin Nickel** | Stone | White

\*Visit [andersenwindows.com/warranty](http://andersenwindows.com/warranty) or contact your Andersen supplier for details on the 400 Series with Stormwatch® protection and impact-resistant glass Limited Warranty.

Dimensions in parentheses are in millimeters.

Distressed Bronze and Oil Rubbed Bronze are "living" finishes that will change with time and use. Printing limitations prevent exact duplication of colors and finishes. See your Andersen supplier for actual color and finish samples.

Folding handle avoids interference with window decorating treatments.  
*Bold name denotes finish shown.*

## ACCESSORIES

### Frame

#### Extension Jamb



Standard jamb depth is 2 7/8" (73). Extension jambs are available in unfinished pine or prefinished White. Some sizes may be veneered.

#### Factory-Applied Extension Jambs

Available in 4 1/16" (116) and 6 1/16" (167) sizes. Extension jambs can be factory applied to either three sides (stool and apron application) or four sides (picture frame casing).

#### Non-Applied Extension Jambs

Non-applied extension jambs are available for the following wall depths:

- 4 1/16" (116)
- 5 1/4" (133)
- 6 1/16" (167)
- 7 1/8" (181)

#### Drywall Return Bead



A drywall return bead is available for units ordered with prefinished White interiors. Can be ordered factory applied or in non-applied lineals.

#### Performance Grade (PG) Upgrade

Performance upgrades are available for select casement and awning sizes, allowing these units to achieve the higher performance ratings. Performance Grade (PG) Ratings replace Design Pressure (DP) Ratings for measuring product performance. For up-to-date performance information of individual products please visit [andersenwindows.com](http://andersenwindows.com). Contact your Andersen supplier for availability.

### Hardware

#### Optional Corrosion-Resistant Hardware



Hardware components are made from a variety of non-corrosive materials or coatings for superior harsh and corrosive environmental applications such as heavy industrial or coastal areas.\*



#### Opening Control Device Kit

A Window Opening Control Device Kit is available, which limits opening the sash to less than 4" (102) when the window is first opened. Available in Stone and White.

#### Special Use Operators

Available in Classic Series™ design only. Andersen® remote power operators cannot be used with awnings with Stormwatch® protection.



#### Compact Operator Handle

Specially designed for use in situations where blinds or other window treatments interfere with standard operator handle. Available in



White or Stone finish.

#### Metal T-Handle

Our smallest operator, the metal T-handle may make it more difficult for young children (5 and under) to open the window.

For more information on child safety, write:

Andersen Corporation  
LookOut for Kids® Program  
100 Fourth Avenue North  
Bayport, MN 55003

Call 1-800-313-8889 or email us at: [lofk@andersencorp.com](mailto:lofk@andersencorp.com)

#### Easy-Grip Handle

Larger knob makes it easier to grip and operate. Available in White or Stone finish.



#### Operator Spline Cover



An operator spline cover is an attractive cap that covers the roto operator stud when the handle has been removed to control access or operation of the window. The operator spline cover should not be used on any window designated or intended for emergency escape or rescue. Please consult your local building code official for local egress code requirements.

### Glass

#### Andersen® Art Glass

Andersen art glass panels come in a variety of original patterns, including four Frank Lloyd Wright® Series designs. See page 149 for details on Andersen art glass. Visit [andersenwindows.com/artglass](http://andersenwindows.com/artglass) for details and pattern information.

### Insect Screens

#### TruScene® Insect Screen



Exclusive Andersen® TruScene® insect screens provide over 50% more clarity than our conventional insect screens for a beautiful unobstructed view. And they allow more fresh air and sunlight, while doing a better job of keeping out small insects. For casement and awning windows, they are available with Stone- or White-colored frames or with pine screen frame interiors to blend with the wood interior of the window.

#### Conventional Insect Screen

Conventional insect screens have charcoal powder-coated aluminum screen cloth. Available with frames in White or Stone.

#### Grilles

Grilles are available in a variety of configurations and widths. For casement and awning grille patterns see page 163.

#### Exterior Trim

This product is available with Andersen® Exterior Trim. See pages 129–136 for details.

#### CAUTION:

- Painting and staining may cause damage to rigid vinyl.
- 400 Series windows in Terratone color may be painted any color lighter than Terratone color using quality oil-base or latex paint. Submit color samples to Andersen for approval when painting Terratone any color darker than Terratone.
- Do not paint 400 Series windows with White, Canvas, Sandtone, Forest Green or Dark Bronze exterior colors.
- Creosote-based stains should not come in contact with Andersen products.
- Do not paint weatherstripping.
- Abrasive cleaners or solutions containing corrosive solvents should not be used on Andersen products.
- For vinyl painting instructions and preparation, contact your Andersen supplier.
- Andersen does not warrant the adhesion or performance of homeowner-applied paint over vinyl or other factory-coated surfaces.

\*Visit [andersenwindows.com/warranty](http://andersenwindows.com/warranty) or contact your Andersen supplier for details on the 400 Series with Stormwatch® protection and impact-resistant glass Limited Warranty.





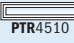
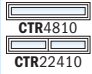

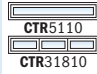
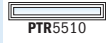
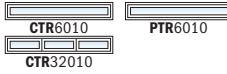

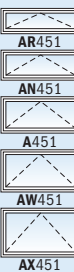
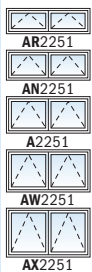
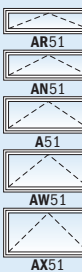

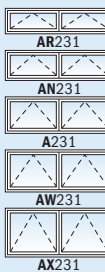



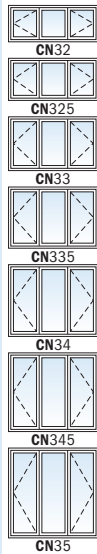
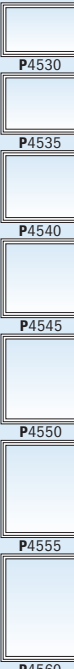
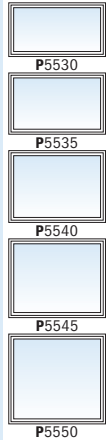
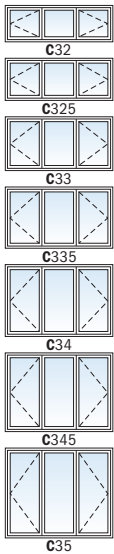
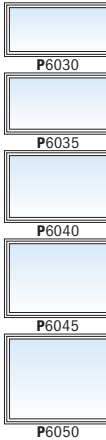
Dimensions in parentheses are in millimeters.

"Frank Lloyd Wright" is a registered trademark of the Frank Lloyd Wright Foundation.

## Alignment Grid for Standard Size Casement, Awning, Picture and Transom Windows

	1'-5"	1'-8 1/2"	2'-0 1/8"	2'-4 3/8"	2'-7 1/2"	2'-9 3/4"	2'-11 15/16"	3'-4 3/4"	3'-4 13/16"	4'-0"				
<b>Specialty</b>	(432)	(521)	(613)	(721)	(800)	(857)	(913)	(1035)	(1037)	(1219)				
See the specialty window section, starting on page 179, for these and other specialty shapes and sizes.			AFC106 AFC11	AFCW106 AFCW11	CTQC1	CTQCW1 CTQCX1	AFCP3006 AFCP301	CTQA3	CTCXW1	AFC206 AFC21				
			CTC1	CTCW1 CTCX1						CTC2				
<b>Transom</b>														
1'-0" (305)	CTR1510	CTR1810	CTR2010	CTR2410	CTR2810	CTR2910	CTR3010	PTR3010	CTR3410 CTR21810	PTR3510	CTR4010 PTR4010 CTR22010			
<b>Awning</b>														
1'-5" (432)			AR21	AR251	AR281		AR31		AR351	AR41	AR221			
1'-8 1/2" (521)			AN21	AN251	AN281		AN31		AN351	AN41	AN221			
2'-0 1/8" (613)			A21	A251	A281		A31		A351	A41	A221			
2'-4 3/8" (721)			AW21	AW251	AW281		AW31		AW351	AW41	AW221			
2'-7 1/2" (800)				AX251	AX281		AX31		AX351		AX41			
2'-11 15/16" (913)														
3'-4 3/4" (1035)														
<b>Casement, Awning and Picture</b>														
2'-0 1/8" (613)	CR12	CN12	C12	CW12				CN22		C22				
2'-4 3/8" (721)	CR125	CN125	C125	CW125	CX125			CN225		C225				
2'-11 15/16" (913)	CR13	CN13	C13	CW13	CX13	CR23	CXW13	P3030	CN23	P3530	C23	P4030		
3'-4 13/16" (1037)	CR135	CN135	C135	CW135	CX135	CR235	CXW135	P3035	CN235	P3535	C235	P4035		
4'-0" (1219)	CR14	CN14	C14	A212	CW14	CX14	CR24	CXW14	A312	P3040	CN24	P3540	C24	P4040
4'-4 13/16" (1341)	CR145	CN145	C145		CW145	CX145	CR245	CXW145		P3045	CN245	P3545	C245	P4045
4'-11 7/8" (1521)	CR15	CN15	C15		CW15	CX15	CR25			P3050	CN25	P3550	C25	P4050
5'-4 13/16" (1646)	CR155	CN155	C155		CW155	CX155	CR255			P3055	CN255	P3555	C255	P4055
5'-11 7/8" (1826)	CR16	CN16	C16	A213	CW16	CX16	CR26	A313	P3060	CN26	P3560	C26	P4060	

• Dimensions in parentheses are in millimeters.

4'-4 13/16" (1341)	4'-8 1/2" (1435)	4'-11 7/8" (1521)	5'-1" (1549)	5'-2 3/4" (1594)	5'-4 13/16" (1646)	5'-11 5/8" (1819)	5'-11 7/8" (1826)	7'-0 5/8" (2149)
								
								
								
								
								

Similar jamb profiles enable these standard-size windows to be combined in multiple combinations. Custom-size windows are also available.

Window widths and heights shown. See individual size charts for additional dimensions.

In addition to venting configurations shown, other standard configurations are available.

**Table of Casement and Transom Window Sizes**

Scale 1/8" (3) = 1'-0" (305) – 1:96

Window Dimension	1'-5"	1'-8 1/2"	2'-0 1/8"	2'-4 3/8"	2'-7 1/2"	2'-11 15/16"	2'-9 3/4"	3'-4 3/4"	4'-0"
	(432)	(521)	(613)	(721)	(800)	(913)	(857)	(1035)	(1219)
<b>Minimum Rough Opening</b>	1'-5 1/2" (445)	1'-9" (533)	2'-0 5/8" (625)	2'-4 7/8" (733)	2'-8" (813)	3'-0 1/2" (927)	2'-10 1/4" (870)	3'-5 1/4" (1048)	4'-0 1/2" (1232)
Unobstructed Glass (casement, single sash only)	12 5/8" (321)	16 1/8" (410)	19 3/4" (502)	24" (610)	27 1/8" (689)	31 9/16" (802)	12 5/8" (321)	16 1/8" (410)	19 3/4" (502)
Unobstructed Glass (transom, single sash only)	12 3/16" (310)	15 11/16" (398)	19 5/16" (491)	23 9/16" (599)	26 11/16" (678)	31 1/8" (791)	28 15/16" (735)	35 15/16" (913)	43 3/16" (1097)

**CUSTOM WIDTHS – 1'-5" to 5'-11 7/8"**

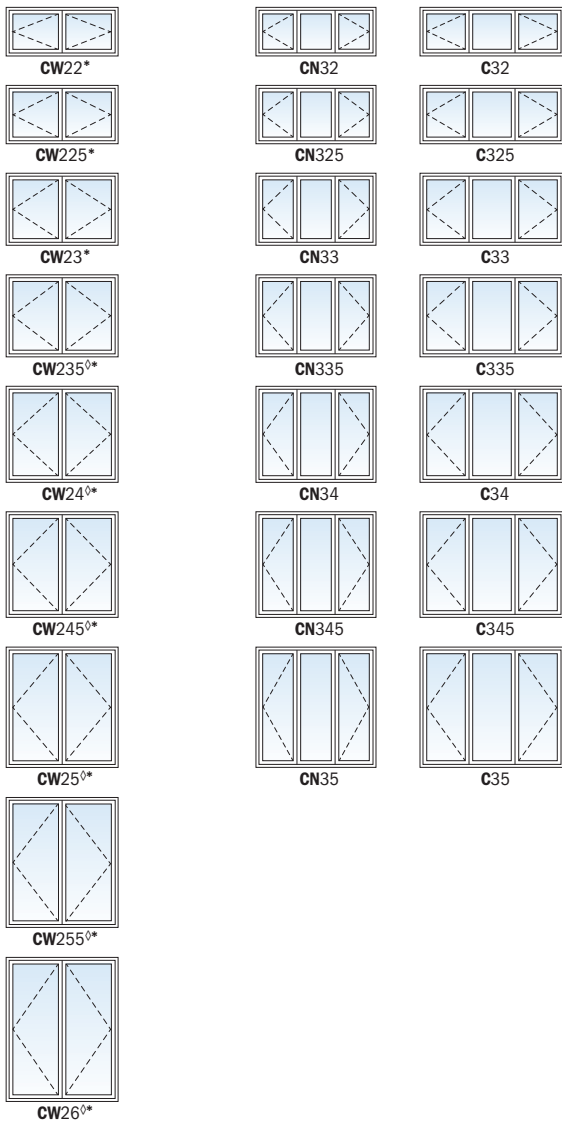
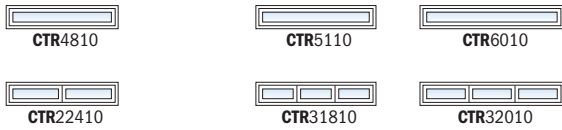
Window Dimension	1'-0"	1'-0 1/2"	1'-0 1/2"	1'-0 1/2"	1'-0 1/2"	1'-0 1/2"	1'-0 1/2"	1'-0 1/2"	1'-0 1/2"
	(305)	(305)	(318)	(318)	(318)	(318)	(318)	(318)	(318)
	7 3/16" (183)	7 3/16" (183)	7 3/16" (183)	7 3/16" (183)	7 3/16" (183)	7 3/16" (183)	7 3/16" (183)	7 3/16" (183)	7 3/16" (183)
	CTR1510	CTR1810	CTR2010	CTR2410	CTR2810	CTR3010	CTR2910	CTR3410	CTR4010
								CTR21810	CTR22010

Window Dimension	CUSTOM WIDTHS – 1'-5" to 2'-7 1/2"					CUSTOM WIDTHS – 2'-7 5/8" to 2'-11 15/16"				
	1'-5"	1'-8 1/2"	2'-0 1/8"	2'-4 3/8"	2'-7 1/2"	2'-7 5/8"	2'-11 15/16"	2'-11 15/16"		
2'-0 1/8"	CR12	CN12	C12	CW12*				CN22	C22	
2'-4 3/8"	CR125	CN125	C125	CW125*	CX125			CN225	C225	
2'-11 15/16"	CR13	CN13	C13	CW13*	CX13			CR23	CN23	C23
3'-4 13/16"	CR135	CN135	C135	CW135*	CX135 <sup>o</sup>	CXW135 <sup>o</sup>		CR235	CN235	C235
4'-0"	CR14	CN14	C14	CW14*	CX14 <sup>o</sup>	CXW14 <sup>o</sup>		CR24	CN24	C24
4'-4 13/16"	CR145	CN145	C145	CW145*	CX145 <sup>o</sup>	CXW145 <sup>o</sup>		CR245	CN245	C245
4'-11 7/8"	CR15	CN15	C15	CW15*	CX15 <sup>o</sup>			CR25	CN25	C25
5'-4 13/16"	CR155	CN155	C155	CW155*	CX155 <sup>o</sup>			CR255	CN255	C255
5'-11 7/8"	CR16	CN16	C16	CW16*	CX16 <sup>o</sup>			CR26	CN26	C26

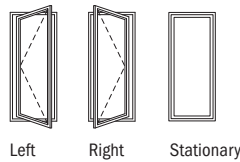
• "Window Dimension" always refers to outside frame to frame dimension.  
 • "Minimum Rough Opening" dimensions may need to be increased to allow for use of building wraps, flashing, sill panning, brackets, fasteners or other items. See page 217 for more details.  
 • Dimensions in parentheses are in millimeters.  
 ◊ Meet or exceed clear opening area of 5.7 sq.ft. or 0.53 m<sup>2</sup>, clear opening width of 20" (508) and clear opening height of 24" (610) with appropriate hardware, straight or split arm operator, specified. See tables on pages 160-161.  
 \* Meet clear opening width of 20" (508) using sill hinge control bracket with split arm operator specified (bracket can be pivoted for cleaning position) and meet clear opening width of 22" (559) with straight arm operator specified.



4'-8 1/2" (1435)	5'-1" (1549)	5'-11 7/8" (1826)
4'-9" (1448)	5'-1 1/2" (1562)	6'-0 3/8" (1838)
24" (610)	16 1/8" (410)	19 3/4" (502)
51 11/16" (1313)	56 3/16" (1427)	67 1/16" (1703)



Custom-size windows are available in 1/8" (3) increments. Windows can also be custom sized to match standard sizes ending in a sixteenth of an inch. **Single windows only.** See pages 167-168 for custom sizes and specifications.



Choose left, right or stationary as viewed from the exterior. In addition to venting shown in table, other standard configurations are available for single, double and triple windows. Transom (CTR) windows are stationary only.

Double and triple windows shown have one continuous outer frame.

**Transom (CTR) window can be used over casement or awning windows and may be rotated 90° and used as a sidelight with casement, awning or picture windows.**

Grille patterns shown on page 163.

- "Window Dimension" always refers to outside frame to frame dimension.
- **"Minimum Rough Opening" dimensions may need to be increased to allow for use of building wraps, flashing, sill panning, brackets, fasteners or other items. See page 217 for more details.**
- Dimensions in parentheses are in millimeters.
- ◊ Meet or exceed clear opening area of 5.7 sq.ft. or 0.53 m<sup>2</sup>, clear opening width of 20" (508) and clear opening height of 24" (610) with appropriate hardware, straight or split arm operator, specified. See tables on pages 160-161.
- \*Meet clear opening width of 20" (508) using sill hinge control bracket with split arm operator specified (bracket can be pivoted for cleaning position) and meet clear opening width of 22" (559) with straight arm operator specified.

## Table of Awning Window Sizes

Scale 1/8" (3) = 1'-0" (305) – 1:96

Window Dimension	2'-0 1/8"	2'-4 3/8"	2'-7 1/2"	2'-11 15/16"	3'-4 13/16"	4'-0"	4'-4 13/16"	4'-11 7/8"
	(613)	(721)	(800)	(913)	(1037)	(1219)	(1341)	(1521)
<b>Minimum Rough Opening</b>	2'-0 5/8" (625)	2'-4 7/8" (733)	2'-8" (813)	3'-0 1/2" (927)	3'-5 3/8" (1051)	4'-0 1/2" (1232)	4'-5 3/8" (1356)	5'-0 3/8" (1534)
Unobstructed Glass (height single sash only)	19 5/16" (491)	23 9/16" (598)	26 11/16" (678)	31 1/8" (791)	36" (914)	43 3/16" (1097)	48" (1219)	55 1/16" (1399)

**CUSTOM WIDTHS – 2'-0 1/8" to 4'-11 7/8"**

**CUSTOM HEIGHTS – 1'-5" to 2'-7 1/2"**

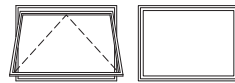
1'-5" (432)	AR21	AR251	AR281	AR31	AR351	AR41	AR451	AR51
1'-8 1/2" (521)	AN21	AN251	AN281	AN31	AN351	AN41	AN451	AN51
2'-0 1/8" (613)	A21	A251	A281	A31	A351	A41	A451	A51
2'-4 3/8" (721)	AW21	AW251	AW281	AW31	AW351	AW41	AW451	AW51
2'-7 1/2" (800)	AX251	AX281	AX31	AX351	AX41	AX451	AX51	
4'-0" (1219)	A212	A312						
5'-11 7/8" (1826)	A213	A313						

**AWNING WINDOW MUST BE INSTALLED TO VENT AS SHOWN AND SHOULD NOT BE ROTATED AND USED AS A HOPPER.**

Grille patterns shown on page 163.



Custom-size windows are available in 1/8" (3) increments. Windows can also be custom sized to match standard sizes ending in a sixteenth of an inch. **Single windows only.** See page 167 for custom sizes and specifications.



Choose venting or stationary. In addition to venting shown in table, other standard configurations are available for double, triple and stacked windows. Double, triple and stacked windows shown have one continuous outer frame.

Window Dimension	4'-0"	4'-8 1/2"	5'-2 3/4"	5'-11 5/8"	5'-11 7/8"	7'-0 5/8"
	(1219)	(1435)	(1594)	(1826)	(1826)	(2149)
<b>Minimum Rough Opening</b>	4'-0 1/2" (1232)	4'-9" (1448)	5'-3 1/4" (1607)	6'-0 1/8" (1838)	6'-0 3/8" (1838)	7'-1 1/8" (2162)
Unobstructed Glass (single sash only)	19 5/16" (491)	23 9/16" (598)	27 1/8" (689)	31 1/8" (1703)	19 5/16" (491)	23 9/16" (598)

1'-5" (432)	AR221	AR2251	AR2281	AR231	AR321	AR3251
1'-8 1/2" (521)	AN221	AN2251	AN2281	AN231	AN321	AN3251
2'-0 1/8" (613)	A221	A2251	A2281	A231	A321	A3251
2'-4 3/8" (721)	AW221	AW2251	AW2281	AW231	AW321	AW3251
2'-7 1/2" (800)	AX2251		AX2281	AX231		AX3251

- "Window Dimension" always refers to outside frame to frame dimension.
- "Minimum Rough Opening" dimensions may need to be increased to allow for use of building wraps, flashing, sill panning, brackets, fasteners or other items. See page 217 for more details.
- Dimensions in parentheses are in millimeters.

**Table of Picture and Transom Window Sizes**

Scale 1/8" (3) = 1'-0" (305) – 1:96

Unit Dimension	2'-11 15/16"	3'-4 13/16"	4'-0"	4'-4 13/16"	4'-11 7/8"	5'-4 13/16"	5'-11 7/8"
	(913)	(1037)	(1219)	(1341)	(1521)	(1646)	(1826)
<b>Minimum Rough Opening</b>	3'-0 1/2"	3'-5 3/8"	4'-0 1/2"	4'-5 3/8"	5'-0 3/8"	5'-5 3/8"	6'-0 3/8"
	(927)	(1051)	(1232)	(1356)	(1534)	(1660)	(1838)
Unobstructed Glass	31 1/8"	36"	43 3/16"	48"	55 1/16"	60"	67 1/16"
	(791)	(914)	(1097)	(1219)	(1399)	(1524)	(1703)

		CUSTOM WIDTHS – 2'-11 15/16" to 5'-11 7/8"						
		CUSTOM WIDTHS – 2'-11 15/16" to 4'-11 7/8"					CUSTOM WIDTHS – 5'-0" to 5'-11 7/8"	
1'-0"	(305)	PTR3010					PTR5510	
1'-0 1/2"	(318)	PTR3510					PTR6010	
1'-7 3/16"	(183)	PTR4010						
2'-11 15/16"	(913)	P3030					P5530	
3'-0 1/2"	(927)	P3530					P6030	
3'-4 13/16"	(1037)	P4030						
3'-5 3/8"	(1051)	P4530					P5535	
3'-11 7/8"	(791)	P5030					P6035	
4'-0"	(1219)	P3040					P5540	
4'-0 1/2"	(1232)	P3540					P6040	
4'-4 13/16"	(1341)	P4040						
4'-5 3/8"	(1356)	P4540					P5545	
4'-11 7/8"	(1521)	P5040					P6045	
5'-0 3/8"	(1534)	P3045					P5550	
5'-4 13/16"	(1646)	P3545					P6050	
5'-5 3/8"	(1660)	P4045						
5'-11 7/8"	(1826)	P4545					P5555	
6'-0 3/8"	(1838)	P5045					P6055	
6'-7 1/16"	(1703)	P3050						
		P3550						
		P4050						
		P4550						
		P5050						
		P3055						
		P3555						
		P4055						
		P4555						
		P5055						
		P3060						
		P3560						
		P4060						
		P4560						
		P5060						



Custom-size windows are available in 1/8" (3) increments. Windows can also be custom sized to match standard sizes ending in a sixteenth of an inch. See page 168 for custom sizes and specifications.

**Picture and transom (PTR) windows may be rotated 90° to align with casement or awning windows.**

Grille patterns shown on page 163.

- "Window Dimension" always refers to outside frame to frame dimension.
- "Minimum Rough Opening" dimensions may need to be increased to allow for use of building wraps, flashing, sill panning, brackets, fasteners or other items. See page 217 for more details.
- Dimensions in parentheses are in millimeters.

## Casement Window Opening and Area Specifications

Window Number	Clear Opening Straight Arm Sq. Ft./ (m <sup>2</sup> )	Clear Opening Split Arm Sq. Ft./ (m <sup>2</sup> )	Clear Opening in Full Open Position			Glass Area Sq. Ft./ (m <sup>2</sup> )	Straight Arm Vent Sq. Ft./ (m <sup>2</sup> )	Split Arm Vent Sq. Ft./ (m <sup>2</sup> )	Top of Subfloor to Top of Inside Sill Stop Inches/ (mm)	Overall Window Area Sq. Ft./ (m <sup>2</sup> )
			Straight Arm Width Inches/ (mm)	Split Arm Width Inches/ (mm)	Height Inches/ (mm)					
CR12	—	1.0 (0.09)	—	7 7/16" (186)	19 1/4" (489)	1.7 (0.16)	—	1.5 (0.14)	60 9/16" (1538)	2.8 (0.26)
CR125	—	1.2 (0.11)	—	7 7/16" (186)	23 7/16" (595)	2.0 (0.19)	—	1.8 (0.17)	56 3/8" (1432)	3.3 (0.31)
CR13	—	1.6 (0.15)	—	7 7/16" (186)	31 1/16" (789)	2.7 (0.25)	—	2.4 (0.22)	48 3/4" (1238)	4.2 (0.39)
CR135	—	1.8 (0.17)	—	7 7/16" (186)	35 15/16" (913)	3.1 (0.29)	—	2.7 (0.25)	43 7/8" (1114)	4.8 (0.45)
CR14	—	2.2 (0.20)	—	7 7/16" (186)	43 1/8" (1095)	3.8 (0.35)	—	3.3 (0.31)	36 11/16" (932)	5.7 (0.53)
CR145	—	2.4 (0.22)	—	7 7/16" (186)	47 15/16" (1218)	4.2 (0.39)	—	3.6 (0.33)	31 7/8" (810)	6.2 (0.58)
CR15	—	2.8 (0.26)	—	7 7/16" (186)	55" (1397)	4.8 (0.45)	—	4.2 (0.39)	24 13/16" (630)	7.1 (0.66)
CR155	—	3.1 (0.29)	—	7 7/16" (186)	59 15/16" (1522)	5.2 (0.48)	—	4.5 (0.42)	19 7/8" (505)	7.7 (0.72)
CR16	—	3.4 (0.32)	—	7 7/16" (186)	67" (1702)	5.9 (0.55)	—	5.1 (0.47)	12 13/16" (325)	8.5 (0.79)
CR23	—	1.6 (0.15)	—	7 7/16" (186)	31 1/16" (789)	5.4 (0.50)	—	4.7 (0.44)	48 3/4" (1238)	8.4 (0.78)
CR235	—	1.8 (0.17)	—	7 7/16" (186)	35 15/16" (913)	6.3 (0.59)	—	5.4 (0.50)	43 7/8" (1114)	9.6 (0.89)
CR24	—	2.2 (0.20)	—	7 7/16" (186)	43 1/8" (1095)	7.6 (0.71)	—	6.5 (0.60)	36 11/16" (932)	11.3 (1.05)
CR245	—	2.4 (0.22)	—	7 7/16" (186)	47 15/16" (1218)	8.4 (0.78)	—	7.3 (0.68)	31 7/8" (810)	12.4 (1.15)
CR25	—	2.8 (0.26)	—	7 7/16" (186)	55" (1397)	9.6 (0.89)	—	8.3 (0.77)	24 13/16" (630)	14.2 (1.32)
CR255	—	3.1 (0.29)	—	7 7/16" (186)	59 15/16" (1522)	10.5 (0.98)	—	9.1 (0.85)	19 7/8" (505)	15.4 (1.43)
CR26	—	3.4 (0.32)	—	7 7/16" (186)	67" (1702)	11.7 (1.09)	—	10.2 (0.95)	12 13/16" (325)	17.0 (1.58)
CN12	—	1.5 (0.14)	—	10 13/16" (275)	19 1/4" (489)	2.2 (0.20)	—	1.9 (0.18)	60 9/16" (1538)	3.4 (0.32)
CN125	—	1.8 (0.17)	—	10 13/16" (275)	23 7/16" (595)	2.6 (0.24)	—	2.3 (0.21)	56 3/8" (1432)	4.0 (0.37)
CN13	—	2.3 (0.21)	—	10 13/16" (275)	31 1/16" (789)	3.5 (0.33)	—	3.1 (0.29)	48 3/4" (1238)	5.1 (0.47)
CN135	—	2.7 (0.25)	—	10 13/16" (275)	35 15/16" (913)	4.0 (0.37)	—	3.6 (0.33)	43 7/8" (1114)	5.8 (0.54)
CN14	—	3.2 (0.30)	—	10 13/16" (275)	43 1/8" (1095)	4.8 (0.45)	—	4.3 (0.40)	36 11/16" (932)	6.8 (0.63)
CN145	—	3.6 (0.33)	—	10 13/16" (275)	47 15/16" (1218)	5.4 (0.50)	—	4.8 (0.45)	31 7/8" (810)	7.5 (0.70)
CN15	—	4.1 (0.38)	—	10 13/16" (275)	55" (1397)	6.2 (0.58)	—	5.5 (0.51)	24 13/16" (630)	8.5 (0.79)
CN155	—	4.5 (0.42)	—	10 13/16" (275)	59 15/16" (1522)	6.7 (0.62)	—	6.0 (0.56)	19 7/8" (505)	9.2 (0.85)
CN16	—	5.0 (0.46)	—	10 13/16" (275)	67" (1702)	7.5 (0.70)	—	6.7 (0.62)	12 13/16" (325)	10.2 (0.95)
CN22	—	1.5 (0.14)	—	10 13/16" (275)	19 1/4" (489)	4.4 (0.41)	—	3.8 (0.35)	60 9/16" (1538)	6.8 (0.63)
CN225	—	1.8 (0.17)	—	10 13/16" (275)	23 7/16" (595)	5.2 (0.48)	—	4.6 (0.43)	56 3/8" (1432)	8.0 (0.74)
CN23	—	2.3 (0.21)	—	10 13/16" (275)	31 1/16" (789)	7.0 (0.65)	—	6.2 (0.58)	48 3/4" (1238)	10.2 (0.95)
CN235	—	2.7 (0.25)	—	10 13/16" (275)	35 15/16" (913)	8.0 (0.74)	—	7.2 (0.67)	43 7/8" (1114)	11.5 (1.07)
CN24	—	3.2 (0.30)	—	10 13/16" (275)	43 1/8" (1095)	9.7 (0.90)	—	8.6 (0.80)	36 11/16" (932)	13.6 (1.26)
CN245	—	3.6 (0.33)	—	10 13/16" (275)	47 15/16" (1218)	10.7 (0.99)	—	9.6 (0.89)	31 7/8" (810)	15.0 (1.39)
CN25	—	4.1 (0.38)	—	10 13/16" (275)	55" (1397)	12.3 (1.14)	—	11.0 (1.02)	24 13/16" (630)	16.9 (1.57)
CN255	—	4.5 (0.42)	—	10 13/16" (275)	59 15/16" (1522)	13.4 (1.25)	—	12.0 (1.12)	19 7/8" (505)	18.4 (1.71)
CN26	—	5.0 (0.46)	—	10 13/16" (275)	67" (1702)	15.0 (1.39)	—	13.4 (1.24)	12 13/16" (325)	20.3 (1.89)
CN32	—	1.5 (0.14)	—	10 13/16" (275)	19 1/4" (489)	6.6 (0.61)	—	3.8 (0.35)	60 9/16" (1538)	10.2 (0.95)
CN325	—	1.8 (0.17)	—	10 13/16" (275)	23 7/16" (595)	7.8 (0.72)	—	4.6 (0.43)	56 3/8" (1432)	12.0 (1.12)
CN33	—	2.3 (0.21)	—	10 13/16" (275)	31 1/16" (789)	10.5 (0.98)	—	6.2 (0.58)	48 3/4" (1238)	15.3 (1.42)
CN335	—	2.7 (0.25)	—	10 13/16" (275)	35 15/16" (913)	12.0 (1.11)	—	7.2 (0.67)	43 7/8" (1114)	17.4 (1.62)
CN34	—	3.2 (0.30)	—	10 13/16" (275)	43 1/8" (1095)	14.4 (1.34)	—	8.6 (0.80)	36 11/16" (932)	20.4 (1.90)
CN345	—	3.6 (0.33)	—	10 13/16" (275)	47 15/16" (1218)	16.2 (1.50)	—	9.6 (0.89)	31 7/8" (810)	22.5 (2.09)
CN35	—	4.1 (0.38)	—	10 13/16" (275)	55" (1397)	18.6 (1.73)	—	11.0 (1.02)	24 13/16" (630)	25.5 (2.37)
C12	2.5 (0.23)	1.9 (0.18)	18 5/16" (465)	14 7/16" (367)	19 1/4" (489)	2.6 (0.24)	2.5 (0.23)	2.4 (0.22)	60 9/16" (1538)	4.0 (0.37)
C125	3.0 (0.28)	2.4 (0.22)	18 5/16" (465)	14 7/16" (367)	23 7/16" (595)	3.2 (0.30)	3.0 (0.28)	2.9 (0.27)	56 3/8" (1432)	4.7 (0.44)
C13	4.0 (0.37)	3.1 (0.29)	18 5/16" (465)	14 7/16" (367)	31 1/16" (789)	4.3 (0.40)	4.0 (0.37)	3.9 (0.36)	48 3/4" (1238)	6.0 (0.56)
C135	4.6 (0.43)	3.6 (0.33)	18 5/16" (465)	14 7/16" (367)	35 15/16" (913)	4.9 (0.46)	4.6 (0.43)	4.5 (0.42)	43 7/8" (1114)	6.8 (0.63)
C14	5.5 (0.51)	4.3 (0.40)	18 5/16" (465)	14 7/16" (367)	43 1/8" (1095)	5.9 (0.55)	5.5 (0.51)	5.4 (0.50)	36 11/16" (932)	8.0 (0.74)
C145	6.1 (0.57)	4.8 (0.45)	18 5/16" (465)	14 7/16" (367)	47 15/16" (1218)	6.6 (0.61)	6.1 (0.57)	6.0 (0.56)	31 7/8" (810)	8.8 (0.82)
C15	7.0 (0.65)	5.5 (0.51)	18 5/16" (465)	14 7/16" (367)	55" (1397)	7.5 (0.70)	7.0 (0.65)	6.9 (0.64)	24 13/16" (630)	10.0 (0.93)
C155	7.6 (0.71)	6.0 (0.56)	18 5/16" (465)	14 7/16" (367)	59 15/16" (1522)	8.2 (0.76)	7.6 (0.71)	7.5 (0.70)	19 7/8" (505)	10.9 (1.01)
C16	8.5 (0.79)	6.7 (0.62)	18 5/16" (465)	14 7/16" (367)	67" (1702)	9.2 (0.85)	8.5 (0.79)	8.4 (0.78)	12 13/16" (325)	12.0 (1.11)
C22	2.5 (0.23)	1.9 (0.18)	18 5/16" (465)	14 7/16" (367)	19 1/4" (489)	5.2 (0.48)	5.0 (0.46)	4.8 (0.45)	60 9/16" (1538)	8.0 (0.74)
C225	3.0 (0.28)	2.4 (0.22)	18 5/16" (465)	14 7/16" (367)	23 7/16" (595)	6.4 (0.59)	6.0 (0.56)	5.8 (0.54)	56 3/8" (1432)	9.4 (0.87)
C23	4.0 (0.37)	3.1 (0.29)	18 5/16" (465)	14 7/16" (367)	31 1/16" (789)	8.5 (0.79)	7.9 (0.73)	7.8 (0.72)	48 3/4" (1238)	12.0 (1.11)
C235	4.6 (0.43)	3.6 (0.33)	18 5/16" (465)	14 7/16" (367)	35 15/16" (913)	9.9 (0.92)	9.2 (0.85)	9.0 (0.84)	43 7/8" (1114)	13.6 (1.26)
C24	5.5 (0.51)	4.3 (0.40)	18 5/16" (465)	14 7/16" (367)	43 1/8" (1095)	11.8 (1.10)	11.0 (1.02)	10.8 (1.00)	36 11/16" (932)	16.0 (1.49)
C245	6.1 (0.57)	4.8 (0.45)	18 5/16" (465)	14 7/16" (367)	47 15/16" (1218)	13.1 (1.22)	12.2 (1.13)	12.0 (1.11)	31 7/8" (810)	17.6 (1.64)
C25	7.0 (0.65)	5.5 (0.51)	18 5/16" (465)	14 7/16" (367)	55" (1397)	15.1 (1.40)	14.0 (1.30)	13.8 (1.28)	24 13/16" (630)	20.0 (1.86)
C255	7.6 (0.71)	6.0 (0.56)	18 5/16" (465)	14 7/16" (367)	59 15/16" (1522)	16.4 (1.52)	15.3 (1.42)	15.0 (1.39)	19 7/8" (505)	21.6 (2.01)
C26	8.5 (0.79)	6.7 (0.62)	18 5/16" (465)	14 7/16" (367)	67" (1702)	18.4 (1.71)	17.1 (1.59)	16.8 (1.56)	12 13/16" (325)	24.0 (2.23)

• "Top of Subfloor to Top of Inside Sill Stop" is calculated based upon a structural header height of 6'-10 1/2" (2096).  
 • Dimensions in parentheses are in millimeters or square meters.

continued on next page

**Casement Window Opening and Area Specifications** *(continued)*

Window Number	Clear Opening Straight Arm Sq. Ft./ (m <sup>2</sup> )		Clear Opening Split Arm Sq. Ft./ (m <sup>2</sup> )		Clear Opening in Full Open Position			Glass Area Sq. Ft./ (m <sup>2</sup> )	Straight Arm Vent Sq. Ft./ (m <sup>2</sup> )		Split Arm Vent Sq. Ft./ (m <sup>2</sup> )		Top of Subfloor to Top of Inside Sill Stop Inches/ (mm)	Overall Window Area Sq. Ft./ (m <sup>2</sup> )		
					Straight Arm Width Inches/ (mm)	Split Arm Width Inches/ (mm)	Height Inches/ (mm)									
C32	2.5	(0.23)	1.9	(0.18)	18 5/16" (465)	14 7/16" (367)	19 1/4" (489)	7.8	(0.72)	5.0	(0.46)	4.8	(0.45)	60 9/16" (1538)	12.0	(1.11)
C325	3.0	(0.28)	2.4	(0.22)	18 5/16" (465)	14 7/16" (367)	23 7/16" (595)	9.6	(0.89)	6.0	(0.56)	5.8	(0.54)	56 3/8" (1432)	14.1	(1.31)
C33	4.0	(0.37)	3.1	(0.29)	18 5/16" (465)	14 7/16" (367)	31 1/16" (789)	12.8	(1.19)	7.9	(0.73)	7.8	(0.72)	48 3/4" (1238)	17.9	(1.66)
C335	4.6	(0.43)	3.6	(0.33)	18 5/16" (465)	14 7/16" (367)	35 15/16" (913)	14.8	(1.37)	9.2	(0.85)	9.0	(0.84)	43 7/8" (1114)	20.4	(1.90)
C34	5.5	(0.51)	4.3	(0.40)	18 5/16" (465)	14 7/16" (367)	43 1/8" (1095)	17.7	(1.64)	11.0	(1.02)	10.8	(1.00)	36 11/16" (932)	24.0	(2.23)
C345	6.1	(0.57)	4.8	(0.45)	18 5/16" (465)	14 7/16" (367)	47 15/16" (1218)	19.7	(1.83)	12.2	(1.13)	12.0	(1.11)	31 7/8" (810)	26.4	(2.45)
C35	7.0	(0.65)	5.5	(0.51)	18 5/16" (465)	14 7/16" (367)	55" (1397)	22.6	(2.10)	14.0	(1.30)	13.8	(1.28)	24 13/16" (630)	29.9	(2.78)
CW12	3.0	(0.28)	2.5	(0.23)	22 9/16" (573)	18 11/16" (475)	19 1/4" (489)	3.2	(0.30)	3.0	(0.28)	3.0	(0.28)	60 9/16" (1538)	4.8	(0.45)
CW125	3.7	(0.34)	3.0	(0.28)	22 9/16" (573)	18 11/16" (475)	23 7/16" (595)	3.9	(0.36)	3.7	(0.34)	3.6	(0.33)	56 3/8" (1432)	5.6	(0.52)
CW13	4.9	(0.46)	4.0	(0.37)	22 9/16" (573)	18 11/16" (475)	31 1/16" (789)	5.2	(0.48)	4.9	(0.46)	4.8	(0.45)	48 3/4" (1238)	7.1	(0.66)
CW135 ◊	5.7	(0.53)	5.1	(0.47)	22 9/16" (573)	20" (508)	36 3/8" (924)	6.0	(0.56)	5.7	(0.53)	5.5	(0.51)	43 7/8" (1114)	8.0	(0.74)
CW14 ◊	6.8	(0.63)	6.0	(0.56)	22 9/16" (573)	20" (508)	43 1/8" (1095)	7.2	(0.67)	6.8	(0.63)	6.6	(0.61)	36 11/16" (932)	9.5	(0.88)
CW145 ◊	7.5	(0.70)	6.7	(0.62)	22 9/16" (573)	20" (508)	47 15/16" (1218)	8.0	(0.74)	7.5	(0.70)	7.3	(0.68)	31 7/8" (810)	10.4	(0.97)
CW15 ◊	8.6	(0.80)	7.6	(0.71)	22 9/16" (573)	20" (508)	55" (1397)	9.2	(0.86)	8.6	(0.80)	8.4	(0.78)	24 13/16" (630)	11.8	(1.10)
CW155 ◊	9.4	(0.87)	8.3	(0.77)	22 9/16" (573)	20" (508)	59 15/16" (1522)	10.0	(0.93)	9.4	(0.87)	9.1	(0.85)	19 7/8" (505)	12.8	(1.19)
CW16 ◊	10.5	(0.98)	9.3	(0.86)	22 9/16" (573)	20" (508)	67" (1702)	11.2	(1.04)	10.5	(0.98)	10.2	(0.95)	12 13/16" (325)	14.2	(1.32)
CW22	3.0	(0.28)	2.5	(0.23)	22 9/16" (573)	18 11/16" (475)	19 1/4" (489)	6.4	(0.59)	6.0	(0.56)	6.0	(0.56)	60 9/16" (1538)	9.6	(0.89)
CW225	3.7	(0.34)	3.0	(0.28)	22 9/16" (573)	18 11/16" (475)	23 7/16" (595)	7.8	(0.72)	7.4	(0.69)	7.2	(0.67)	56 3/8" (1432)	11.2	(1.04)
CW23	4.9	(0.46)	4.0	(0.37)	22 9/16" (573)	18 11/16" (475)	31 1/16" (789)	10.4	(0.97)	9.8	(0.91)	9.6	(0.89)	48 3/4" (1238)	14.1	(1.31)
CW235 ◊	5.7	(0.53)	5.1	(0.47)	22 9/16" (573)	20" (508)	36 3/8" (913)	12.0	(1.11)	11.4	(1.06)	11.1	(1.03)	43 7/8" (1114)	16.0	(1.49)
CW24 ◊	6.8	(0.63)	6.0	(0.56)	22 9/16" (573)	20" (508)	43 1/8" (1095)	14.4	(1.34)	13.5	(1.25)	13.1	(1.22)	36 11/16" (932)	18.8	(1.75)
CW245 ◊	7.5	(0.70)	6.7	(0.62)	22 9/16" (573)	20" (508)	47 15/16" (1218)	16.0	(1.49)	15.0	(1.39)	14.6	(1.36)	31 7/8" (810)	20.8	(1.93)
CW25 ◊	8.6	(0.80)	7.6	(0.71)	22 9/16" (573)	20" (508)	55" (1397)	18.3	(1.70)	17.3	(1.61)	16.7	(1.55)	24 13/16" (630)	23.5	(2.18)
CW255 ◊	9.4	(0.87)	8.3	(0.77)	22 9/16" (573)	20" (508)	59 15/16" (1522)	20.0	(1.86)	18.8	(1.75)	18.2	(1.69)	19 7/8" (505)	25.6	(2.38)
CW26 ◊	10.5	(0.98)	9.3	(0.86)	22 9/16" (573)	20" (508)	67" (1702)	22.3	(2.07)	21.0	(1.95)	20.4	(1.90)	12 13/16" (325)	28.2	(2.62)
CX125	4.2	(0.39)	3.5	(0.33)	25 11/16" (653)	21 13/16" (554)	23 7/16" (595)	4.4	(0.41)	4.2	(0.39)	4.1	(0.38)	56 3/8" (1432)	6.2	(0.58)
CX13	5.5	(0.51)	4.7	(0.44)	25 11/16" (653)	21 13/16" (554)	31 1/16" (789)	5.9	(0.55)	5.5	(0.51)	5.4	(0.50)	48 3/4" (1238)	7.9	(0.73)
CX135 ◊	6.4	(0.59)	5.4	(0.50)	25 11/16" (653)	21 13/16" (554)	35 15/16" (913)	6.8	(0.63)	6.4	(0.60)	6.3	(0.59)	43 7/8" (1114)	8.9	(0.83)
CX14 ◊	7.7	(0.72)	6.5	(0.60)	25 11/16" (653)	21 13/16" (554)	43 1/8" (1095)	8.1	(0.75)	7.7	(0.72)	7.6	(0.71)	36 11/16" (932)	10.5	(0.98)
CX145 ◊	8.6	(0.80)	7.3	(0.68)	25 11/16" (653)	21 13/16" (554)	47 15/16" (1218)	9.0	(0.84)	8.6	(0.80)	8.4	(0.78)	31 7/8" (810)	11.6	(1.08)
CX15 ◊	9.8	(0.91)	8.3	(0.77)	25 11/16" (653)	21 13/16" (554)	55" (1397)	10.4	(0.97)	9.8	(0.91)	9.7	(0.90)	24 13/16" (630)	13.1	(1.22)
CX155 ◊	10.7	(0.99)	9.1	(0.85)	25 11/16" (653)	21 13/16" (554)	59 15/16" (1522)	11.3	(1.05)	10.7	(0.99)	10.5	(0.98)	19 7/8" (505)	14.2	(1.32)
CX16 ◊	12.0	(1.11)	10.1	(0.94)	25 11/16" (653)	21 13/16" (554)	67" (1702)	12.6	(1.17)	12.0	(1.11)	11.8	(1.10)	12 13/16" (325)	15.7	(1.46)
CXW13 ◊	6.5	(0.60)	5.6	(0.52)	30 1/8" (765)	26 1/4" (667)	31 1/16" (789)	6.8	(0.63)	6.5	(0.60)	6.1	(0.57)	48 3/4" (1238)	9.0	(0.84)
CXW135 ◊	7.5	(0.70)	6.6	(0.61)	30 1/8" (765)	26 1/4" (667)	35 15/16" (913)	7.9	(0.73)	7.5	(0.70)	7.0	(0.65)	43 7/8" (1114)	10.2	(0.95)
CXW14 ◊	9.0	(0.84)	7.9	(0.73)	30 1/8" (765)	26 1/4" (667)	43 1/8" (1095)	9.5	(0.88)	9.0	(0.84)	8.4	(0.78)	36 11/16" (932)	12.0	(1.11)
CXW145 ◊	10.0	(0.93)	8.8	(0.82)	30 1/8" (765)	26 1/4" (667)	47 15/16" (1218)	10.5	(0.98)	10.0	(0.93)	9.4	(0.87)	31 7/8" (810)	13.2	(1.23)

• "Top of Subfloor to Top of Inside Sill Stop" is calculated based upon a structural header height of 6'-10 1/2" (2096).  
 • Dimensions in parentheses are in millimeters or square meters.  
 ◊ Meet or exceed clear opening area of 5.7 sq. ft. or 0.53 m<sup>2</sup>, clear opening width of 20" (508) and clear opening height of 24" (610) with appropriate hardware, straight or split arm operator, specified.

**Awning Window Opening and Area Specifications**

Window Number	Clear Opening Sq. Ft./ (m <sup>2</sup> )		Clear Opening in Full Open Position		Glass Area Sq. Ft./ (m <sup>2</sup> )	Vent Sq. Ft./ (m <sup>2</sup> )	Top of Subfloor to Top of Inside Sill Stop Inches/ (mm)	Overall Window Area Sq. Ft./ (m <sup>2</sup> )			
			Width Inches/ (mm)	Height Inches/ (mm)							
AR21	0.9	(0.08)	19 1/2" (495)	6 3/8" (162)	1.7	(0.16)	0.9	(0.08)	67 7/16" (1713)	2.8	(0.26)
AR251	1.1	(0.10)	23 3/4" (603)	6 3/8" (162)	2.0	(0.19)	1.1	(0.10)	67 7/16" (1713)	3.3	(0.31)
AR281	1.2	(0.11)	26 7/8" (683)	6 3/8" (162)	2.3	(0.21)	1.2	(0.11)	67 7/16" (1713)	3.7	(0.34)
AR31	1.4	(0.13)	31 5/16" (795)	6 3/8" (162)	2.7	(0.25)	1.4	(0.13)	67 7/16" (1713)	4.2	(0.39)
AR351	1.6	(0.15)	36 3/16" (919)	6 3/8" (162)	3.1	(0.29)	1.6	(0.15)	67 7/16" (1713)	4.8	(0.45)
AR41	1.9	(0.18)	43 3/8" (1102)	6 3/8" (162)	3.8	(0.35)	1.9	(0.18)	67 7/16" (1713)	5.7	(0.53)
AR451	2.1	(0.20)	48 3/16" (1224)	6 3/8" (162)	4.2	(0.39)	2.1	(0.20)	67 7/16" (1713)	6.2	(0.58)
AR51	2.5	(0.23)	55 1/2" (1410)	6 3/8" (162)	4.8	(0.45)	2.5	(0.23)	67 7/16" (1713)	7.1	(0.66)
AR221	0.9	(0.08)	19 1/2" (495)	6 3/8" (162)	3.4	(0.32)	1.7	(0.16)	67 7/16" (1713)	5.6	(0.52)
AR2251	1.1	(0.10)	23 3/4" (603)	6 3/8" (162)	4.0	(0.37)	2.1	(0.20)	67 7/16" (1713)	6.6	(0.61)
AR2281	1.2	(0.11)	26 7/8" (683)	6 3/8" (162)	4.6	(0.43)	2.4	(0.22)	67 7/16" (1713)	7.4	(0.69)
AR231	1.4	(0.13)	31 5/16" (795)	6 3/8" (162)	5.4	(0.50)	2.8	(0.26)	67 7/16" (1713)	8.4	(0.78)
AR321	0.9	(0.08)	19 1/2" (495)	6 3/8" (162)	5.1	(0.47)	2.6	(0.24)	67 7/16" (1713)	8.4	(0.78)

• "Top of Subfloor to Top of Inside Sill Stop" is calculated based upon a structural header height of 6'-10 1/2" (2096).  
 • Dimensions in parentheses are in millimeters or square meters.

*continued on next page*



## Awning Window Opening and Area Specifications (continued)

Window Number	Clear Opening Sq. Ft./ <sup>(m<sup>2</sup>)</sup>		Clear Opening in Full Open Position		Glass Area Sq. Ft./ <sup>(m<sup>2</sup>)</sup>	Vent Sq. Ft./ <sup>(m<sup>2</sup>)</sup>	Top of Subfloor to Top of Inside Sill Stop Inches/ <sup>(mm)</sup>	Overall Window Area Sq. Ft./ <sup>(m<sup>2</sup>)</sup>
			Width Inches/ <sup>(mm)</sup>	Height Inches/ <sup>(mm)</sup>				
AR3251	1.1	(0.10)	23 3/4" (603)	6 3/8" (162)	6.0 (0.56)	3.2 (0.30)	67 7/16" (1713)	9.9 (0.92)
AN21	0.9	(0.08)	19 1/2" (495)	6 7/16" (164)	2.2 (0.20)	0.9 (0.08)	63 15/16" (1624)	3.4 (0.32)
AN251	1.1	(0.10)	23 3/4" (603)	6 7/16" (164)	2.6 (0.24)	1.1 (0.10)	63 15/16" (1624)	4.0 (0.37)
AN281	1.2	(0.11)	26 7/8" (683)	6 7/16" (164)	3.0 (0.28)	1.2 (0.11)	63 15/16" (1624)	4.5 (0.42)
AN31	1.4	(0.13)	31 5/16" (795)	6 7/16" (164)	3.5 (0.33)	1.4 (0.13)	63 15/16" (1624)	5.1 (0.47)
AN351	1.6	(0.15)	36 3/16" (919)	6 7/16" (164)	4.0 (0.37)	1.6 (0.15)	63 15/16" (1624)	5.8 (0.54)
AN41	1.9	(0.18)	43 3/8" (1102)	6 7/16" (164)	4.8 (0.45)	1.9 (0.18)	63 15/16" (1624)	6.8 (0.63)
AN451	2.2	(0.20)	48 3/16" (1224)	6 7/16" (164)	5.4 (0.50)	2.2 (0.20)	63 15/16" (1624)	7.5 (0.70)
AN51	2.5	(0.23)	55 1/2" (1410)	6 7/16" (164)	6.2 (0.58)	2.5 (0.23)	63 15/16" (1624)	8.5 (0.79)
AN221	0.9	(0.08)	19 1/2" (495)	6 7/16" (164)	4.4 (0.41)	1.7 (0.16)	63 15/16" (1624)	6.8 (0.63)
AN2251	1.1	(0.10)	23 3/4" (603)	6 7/16" (164)	5.2 (0.48)	2.1 (0.20)	63 15/16" (1624)	8.0 (0.74)
AN2281	1.2	(0.11)	26 7/8" (683)	6 7/16" (164)	6.0 (0.56)	2.4 (0.22)	63 15/16" (1624)	9.0 (0.84)
AN231	1.4	(0.13)	31 5/16" (795)	6 7/16" (164)	7.0 (0.65)	2.8 (0.26)	63 15/16" (1624)	10.2 (0.95)
AN321	0.9	(0.08)	19 1/2" (495)	6 7/16" (164)	6.6 (0.61)	2.6 (0.24)	63 15/16" (1624)	10.2 (0.95)
AN3251	1.1	(0.10)	23 3/4" (603)	6 7/16" (164)	7.8 (0.72)	3.2 (0.30)	63 15/16" (1624)	12.0 (1.11)
A21	0.9	(0.08)	19 1/2" (495)	6 1/2" (165)	2.6 (0.24)	0.9 (0.08)	60 5/16" (1532)	4.0 (0.37)
A251	1.1	(0.10)	23 3/4" (603)	6 1/2" (165)	3.2 (0.30)	1.1 (0.10)	60 5/16" (1532)	4.8 (0.45)
A281	1.2	(0.11)	26 7/8" (683)	6 1/2" (165)	3.7 (0.34)	1.2 (0.11)	60 5/16" (1532)	5.3 (0.49)
A31	1.4	(0.13)	31 5/16" (795)	6 1/2" (165)	4.3 (0.40)	1.4 (0.13)	60 5/16" (1532)	6.0 (0.56)
A351	1.6	(0.15)	36 3/16" (919)	6 1/2" (165)	4.9 (0.46)	1.6 (0.15)	60 5/16" (1532)	6.8 (0.63)
A41	2.0	(0.19)	43 3/8" (1102)	6 1/2" (165)	5.9 (0.55)	2.0 (0.19)	60 5/16" (1532)	8.0 (0.74)
A451	2.2	(0.20)	48 3/16" (1224)	6 1/2" (165)	6.6 (0.61)	2.2 (0.20)	60 5/16" (1532)	8.8 (0.82)
A51	2.5	(0.23)	55 1/2" (1410)	6 1/2" (165)	7.5 (0.70)	2.5 (0.23)	60 5/16" (1532)	10.0 (0.93)
A221	0.9	(0.08)	19 1/2" (495)	6 1/2" (165)	5.2 (0.48)	1.8 (0.17)	60 5/16" (1532)	8.0 (0.74)
A2251	1.1	(0.10)	23 3/4" (603)	6 1/2" (165)	6.4 (0.60)	2.1 (0.20)	60 5/16" (1532)	9.6 (0.89)
A2281	1.2	(0.11)	26 7/8" (683)	6 1/2" (165)	7.4 (0.69)	2.4 (0.22)	60 5/16" (1532)	10.6 (0.98)
A231	1.4	(0.13)	31 5/16" (795)	6 1/2" (165)	8.6 (0.80)	2.8 (0.26)	60 5/16" (1532)	12.0 (1.11)
A321	0.9	(0.08)	19 1/2" (495)	6 1/2" (165)	7.8 (0.72)	2.6 (0.24)	60 5/16" (1532)	12.0 (1.11)
A3251	1.1	(0.10)	23 3/4" (603)	6 1/2" (165)	9.6 (0.89)	3.2 (0.30)	60 5/16" (1532)	14.4 (1.34)
AW21	0.9	(0.08)	19 1/2" (495)	6 1/2" (165)	3.2 (0.30)	0.9 (0.08)	56 1/16" (1424)	4.8 (0.45)
AW251	1.1	(0.10)	23 3/4" (603)	6 1/2" (165)	3.9 (0.36)	1.1 (0.10)	56 1/16" (1424)	5.6 (0.52)
AW281	1.2	(0.11)	26 7/8" (683)	6 1/2" (165)	4.4 (0.41)	1.2 (0.11)	56 1/16" (1424)	6.2 (0.58)
AW31	1.4	(0.13)	31 5/16" (795)	6 1/2" (165)	5.2 (0.48)	1.4 (0.13)	56 1/16" (1424)	7.1 (0.66)
AW351	1.6	(0.15)	36 3/16" (919)	6 1/2" (165)	6.0 (0.56)	1.6 (0.15)	56 1/16" (1424)	8.0 (0.74)
AW41	2.0	(0.19)	43 3/8" (1102)	6 1/2" (165)	7.2 (0.67)	2.0 (0.19)	56 1/16" (1424)	9.5 (0.88)
AW451	2.2	(0.20)	48 3/16" (1224)	6 1/2" (165)	8.0 (0.74)	2.2 (0.20)	56 1/16" (1424)	10.4 (0.97)
AW51	2.5	(0.23)	55 1/2" (1410)	6 1/2" (165)	9.2 (0.85)	2.5 (0.23)	56 1/16" (1424)	11.8 (1.10)
AW221	0.9	(0.08)	19 1/2" (495)	6 1/2" (165)	6.4 (0.59)	1.8 (0.17)	56 1/16" (1424)	9.6 (0.89)
AW2251	1.1	(0.10)	23 3/4" (603)	6 1/2" (165)	7.8 (0.72)	2.1 (0.20)	56 1/16" (1424)	11.2 (1.04)
AW2281	1.2	(0.11)	26 7/8" (683)	6 1/2" (165)	8.8 (0.82)	2.4 (0.22)	56 1/16" (1424)	12.4 (1.15)
AW231	1.4	(0.13)	31 5/16" (795)	6 1/2" (165)	10.4 (0.97)	2.8 (0.26)	56 1/16" (1424)	14.2 (1.32)
AW321	0.9	(0.08)	19 1/2" (495)	6 1/2" (165)	9.6 (0.89)	2.6 (0.24)	56 1/16" (1424)	14.4 (1.34)
AW3251	1.1	(0.10)	23 3/4" (603)	6 1/2" (165)	11.7 (1.09)	3.2 (0.30)	56 1/16" (1424)	16.8 (1.56)
AX251	1.1	(0.10)	23 3/4" (603)	6 1/2" (165)	4.4 (0.41)	1.1 (0.10)	53 15/16" (1370)	6.2 (0.58)
AX281	1.2	(0.11)	26 7/8" (683)	6 1/2" (165)	5.0 (0.46)	1.2 (0.11)	53 15/16" (1370)	6.9 (0.64)
AX31	1.4	(0.13)	31 5/16" (795)	6 1/2" (165)	5.9 (0.55)	1.4 (0.13)	53 15/16" (1370)	7.9 (0.73)
AX351	1.6	(0.15)	36 3/16" (919)	6 1/2" (165)	6.8 (0.63)	1.6 (0.15)	53 15/16" (1370)	8.9 (0.83)
AX41	2.0	(0.19)	43 3/8" (1102)	6 1/2" (165)	8.1 (0.75)	2.0 (0.19)	53 15/16" (1370)	10.5 (0.98)
AX451	2.2	(0.20)	48 3/16" (1224)	6 1/2" (165)	9.0 (0.84)	2.2 (0.20)	53 15/16" (1370)	11.6 (1.08)
AX51	2.5	(0.23)	55 1/2" (1410)	6 1/2" (165)	10.4 (0.97)	2.5 (0.23)	53 15/16" (1370)	13.1 (1.22)
AX2251	1.1	(0.10)	23 3/4" (603)	6 1/2" (165)	8.9 (0.83)	2.1 (0.20)	53 15/16" (1370)	12.4 (1.15)
AX2281	1.2	(0.11)	26 7/8" (683)	6 1/2" (165)	10.0 (0.93)	2.4 (0.22)	53 15/16" (1370)	13.8 (1.28)
AX231	1.4	(0.13)	31 5/16" (795)	6 1/2" (165)	11.7 (1.09)	2.8 (0.26)	53 15/16" (1370)	15.7 (1.46)
AX3251	1.1	(0.10)	23 3/4" (603)	6 1/2" (165)	13.3 (1.24)	3.2 (0.30)	53 15/16" (1370)	18.6 (1.73)
A212	0.9	(0.08)	19 1/2" (495)	6 1/2" (165)	5.2 (0.48)	1.8 (0.17)	60 5/16" (1532)	8.0 (0.74)
A213	0.9	(0.08)	19 1/2" (495)	6 1/2" (165)	7.8 (0.72)	2.6 (0.24)	60 5/16" (1532)	12.0 (1.11)
A312	1.4	(0.13)	31 5/16" (795)	6 1/2" (165)	8.6 (0.80)	2.8 (0.26)	60 5/16" (1532)	12.0 (1.11)
A313	1.4	(0.13)	31 5/16" (795)	6 1/2" (165)	12.9 (1.20)	4.2 (0.39)	60 5/16" (1532)	18.0 (1.67)

• \*Top of Subfloor to Top of Inside Sill Stop\* is calculated based upon a structural header height of 6'-10 1/2" (2096).  
 • Dimensions in parentheses are in millimeters or square meters.

**Transom Window Area Specifications**

Window Number	Glass Area Sq. Ft./ (m <sup>2</sup> )	Overall Window Area Sq. Ft./ (m <sup>2</sup> )
CTR1510	0.7 (0.07)	1.4 (0.13)
CTR1810	0.8 (0.07)	1.7 (0.16)
CTR21810	1.7 (0.16)	3.4 (0.32)
CTR31810	2.6 (0.24)	5.1 (0.47)
CTR2010	1.0 (0.09)	2.0 (0.19)
CTR22010	2.1 (0.20)	4.0 (0.37)
CTR32010	3.1 (0.29)	6.0 (0.56)
CTR2410	1.2 (0.11)	2.4 (0.22)
CTR22410	2.5 (0.23)	4.7 (0.44)
CTR2810	1.4 (0.13)	2.6 (0.24)
CTR3010	1.6 (0.15)	3.0 (0.28)
CTR5110	2.8 (0.26)	5.1 (0.47)
CTR2910	1.5 (0.14)	2.8 (0.26)
CTR3410	1.8 (0.17)	3.4 (0.32)
CTR4010	2.2 (0.20)	4.0 (0.37)
CTR4810	2.6 (0.24)	4.7 (0.44)
CTR6010	3.4 (0.32)	6.0 (0.56)
PTR3010	1.6 (0.15)	3.0 (0.28)
PTR3510	1.8 (0.17)	3.4 (0.32)
PTR4010	2.2 (0.20)	4.0 (0.37)
PTR4510	2.4 (0.22)	4.4 (0.41)
PTR5010	2.8 (0.26)	5.0 (0.46)
PTR5510	3.0 (0.28)	5.4 (0.50)
PTR6010	3.4 (0.32)	6.0 (0.56)

**Picture Window Area Specifications**

Window Number	Glass Area Sq. Ft./ (m <sup>2</sup> )	Overall Window Area Sq. Ft./ (m <sup>2</sup> )
P3030	6.8 (0.63)	9.0 (0.84)
P3035	7.8 (0.72)	10.2 (0.95)
P3040	9.4 (0.87)	12.0 (1.11)
P3045	10.4 (0.97)	13.2 (1.23)
P3050	12.0 (1.11)	14.9 (1.38)
P3055	13.0 (1.21)	16.2 (1.50)
P3060	14.6 (1.36)	17.9 (1.66)
P3530	7.8 (0.72)	10.2 (0.95)
P3535	9.0 (0.84)	11.6 (1.08)
P3540	10.8 (1.00)	13.6 (1.26)
P3545	12.1 (1.12)	15.0 (1.39)
P3550	13.8 (1.28)	17.0 (1.58)
P3555	15.1 (1.40)	18.4 (1.71)
P3560	16.8 (1.56)	20.4 (1.90)
P4030	9.4 (0.87)	12.0 (1.11)
P4035	10.8 (1.00)	13.6 (1.26)
P4040	13.0 (1.21)	16.0 (1.49)
P4045	14.5 (1.35)	17.6 (1.64)
P4050	16.6 (1.54)	20.0 (1.86)
P4055	18.1 (1.68)	21.6 (2.01)
P4060	20.2 (1.88)	24.0 (2.23)
P4530	10.4 (0.97)	13.2 (1.23)
P4535	12.1 (1.12)	15.0 (1.39)
P4540	14.5 (1.35)	17.6 (1.64)

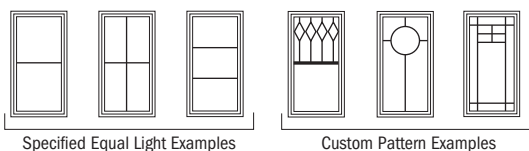
Window Number	Glass Area Sq. Ft./ (m <sup>2</sup> )	Overall Window Area Sq. Ft./ (m <sup>2</sup> )
P4545	16.1 (1.50)	19.4 (1.80)
P4550	18.4 (1.71)	22.0 (2.04)
P4555	20.1 (1.87)	23.8 (2.21)
P4560	22.4 (2.08)	26.4 (2.45)
P5030	12.0 (1.11)	14.9 (1.38)
P5035	13.8 (1.28)	17.0 (1.58)
P5040	16.6 (1.54)	20.0 (1.86)
P5045	18.4 (1.71)	22.0 (2.04)
P5050	21.1 (1.96)	24.9 (2.31)
P5055	23.0 (2.14)	26.9 (2.50)
P5060	25.7 (2.39)	29.9 (2.78)
P5530	13.0 (1.21)	16.2 (1.50)
P5535	15.1 (1.40)	18.4 (1.71)
P5540	18.1 (1.68)	21.6 (2.01)
P5545	20.1 (1.87)	23.8 (2.21)
P5550	23.0 (2.14)	26.9 (2.50)
P6030	14.6 (1.36)	17.9 (1.66)
P6035	16.8 (1.56)	20.4 (1.90)
P6040	20.2 (1.88)	24.0 (2.23)
P6045	22.4 (2.08)	26.4 (2.45)
P6050	25.7 (2.39)	29.9 (2.78)

• Dimensions in parentheses are in square meters.

**Grille Patterns**

	Diamond*	Prairie A	Specified Equal Light with Check Rail (Simulated Check Rail)	Colonial	Modified** Colonial	Modified** Colonial SCR (Simulated Check Rail)	Tall Fractional	Tall Fractional SCR (Simulated Check Rail)	Short Fractional	Short Fractional SCR (Simulated Check Rail)	Victorian
<b>Casement</b>											
<b>Awning</b>											
<b>Picture</b>											
<b>Transom</b>											

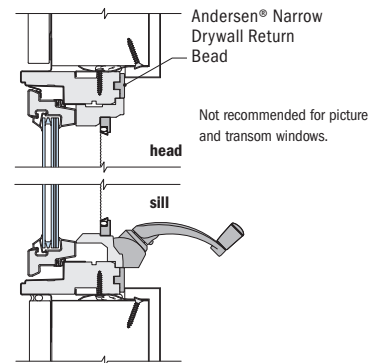
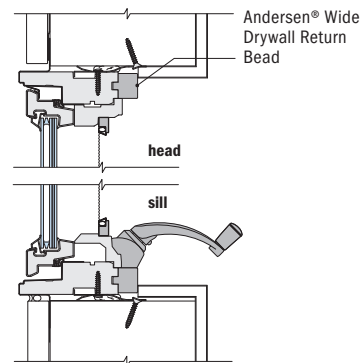
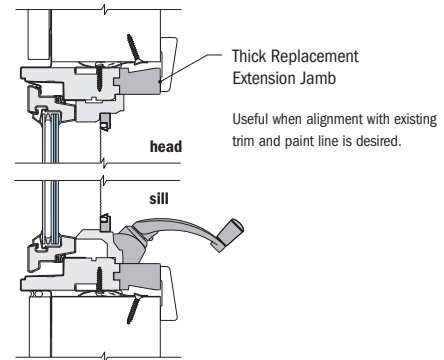
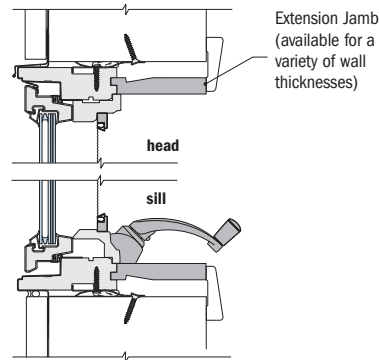
• Andersen® Finelight™ grilles available in 3/4" (19) profile only.  
 \*Available only in Simulated Divided Light (SDL) configuration and only in 3/4" (19) and 7/8" (22) widths.  
 \*\*Location from top of window to bottom of divided light pattern is available at 8" (203), 10" (254), 12" (305), center and custom dimensions.



**Number of lights and overall pattern varies with window size. Patterns shown may not be available for all sizes.** Specified equal light and custom patterns are also available. For more information on divided light see page 147 or visit [andersenwindows.com/grilles](http://andersenwindows.com/grilles).

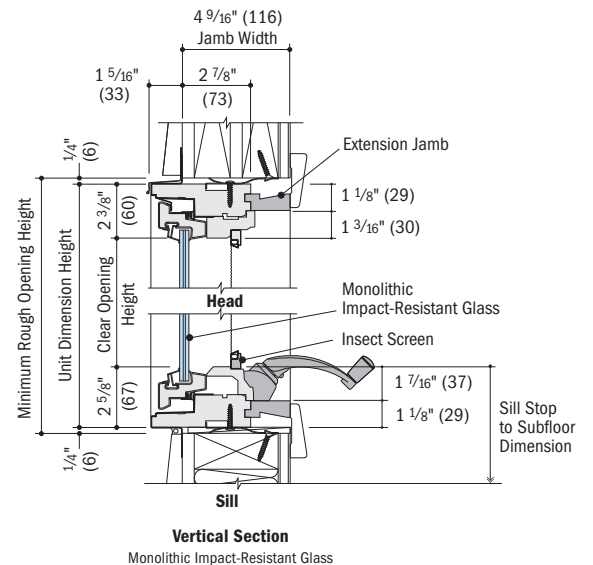
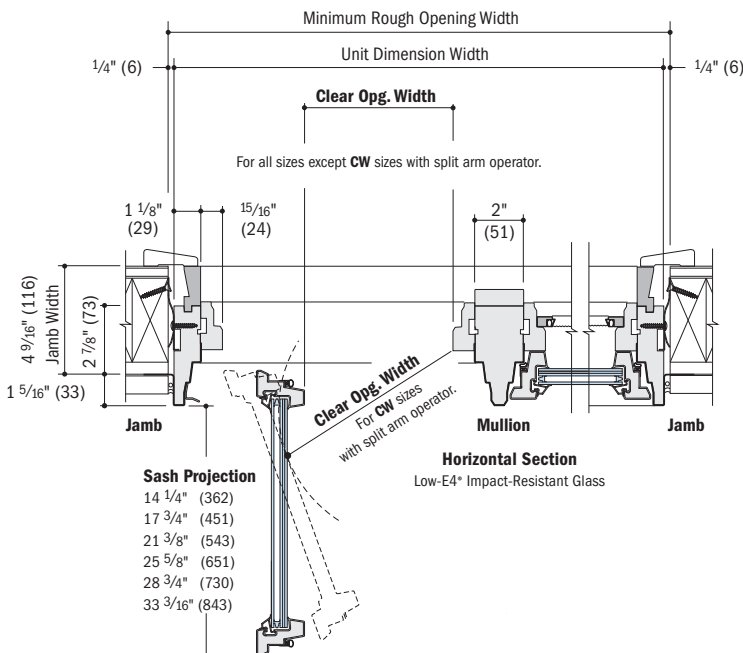
## Interior Trim Options

Extension jamb and drywall return bead applications shown. See page 153 for more information.



## Casement Window Details

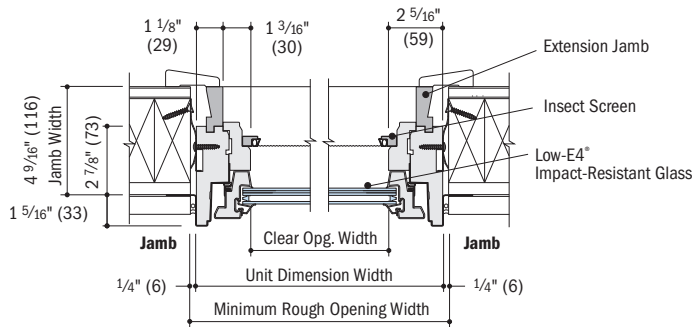
Scale 1 1/2" (38) = 1'-0" (305) – 1:8



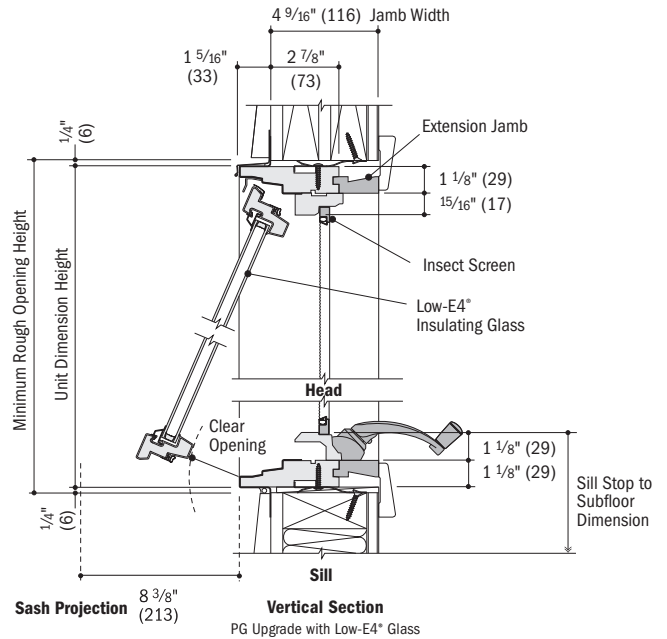
- 4 9/16" (116) jamb width measurement is from backside of installation flange.
- Light-colored areas are parts included with window. Dark-colored areas are additional Andersen® parts required to complete window assembly as shown.
- Dimensions in parentheses are in millimeters.
- **Rough openings may need to be increased to allow for use of building wraps, flashing, sill panning, brackets, fasteners or other items. See installation information on page 217.**
- Details are for illustration only and are not intended to represent product installation methods or materials. Refer to product installation guides at andersenwindows.com.

**Awning Window Details**

Scale 1 1/2" (38) = 1'-0" (305) – 1:8



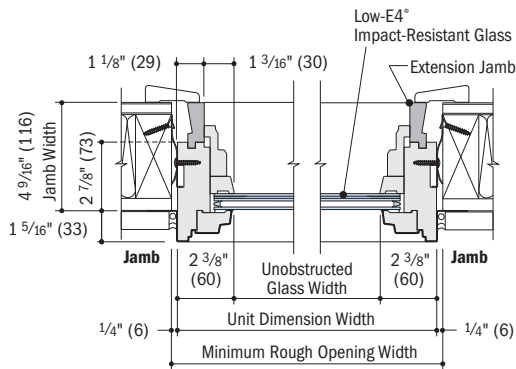
**Horizontal Section**  
Low-E4\* Impact-Resistant Glass



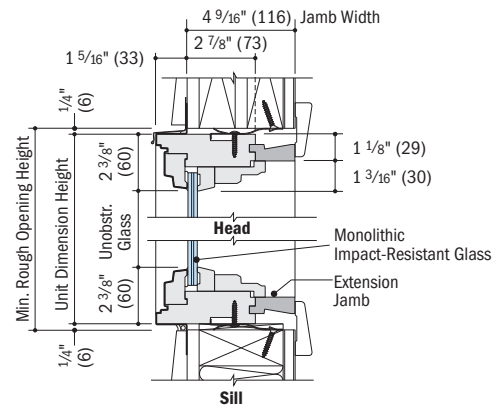
**Vertical Section**  
PG Upgrade with Low-E4\* Glass

**Picture and Transom Window Details**

Scale 1 1/2" (38) = 1'-0" (305) – 1:8



**Horizontal Section**  
Low-E4\* Impact-Resistant Glass



**Vertical Section**  
Monolithic Impact-Resistant Glass

- 4 9/16" (116) jamb width measurement is from backside of installation flange.
- Light-colored areas are parts included with window. Dark-colored areas are additional Andersen® parts required to complete window assembly as shown.
- Dimensions in parentheses are in millimeters.
- **Rough openings may need to be increased to allow for use of building wraps, flashing, sill panning, brackets, fasteners or other items. See installation information on page 217.**
- Details are for illustration only and are not intended to represent product installation methods or materials. Refer to product installation guides at [andersenwindows.com](http://andersenwindows.com).

## Vertical (ribbon) Joining Details

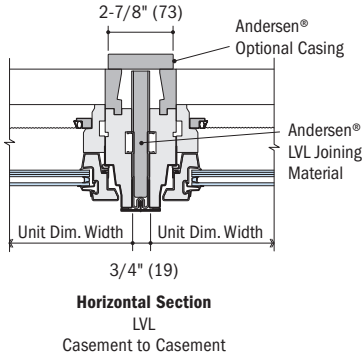
Scale 1<sup>1</sup>/<sub>2</sub>" (38) = 1'-0" (305) – 1:8

### Overall Window Dimension Width

Sum of individual window widths plus 3/4" (19) for each join.

### Overall Minimum Rough Opening Width

Overall window dimension width plus 1/2" (13).

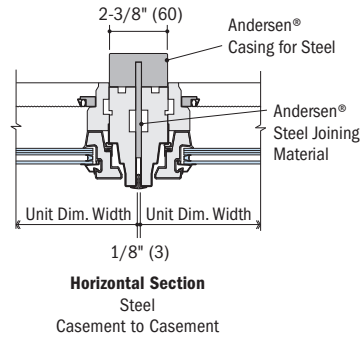


### Overall Window Dimension Width

Sum of individual window widths plus 1/8" (3) for each join.

### Overall Minimum Rough Opening Width

Overall window dimension width plus 1/2" (13).

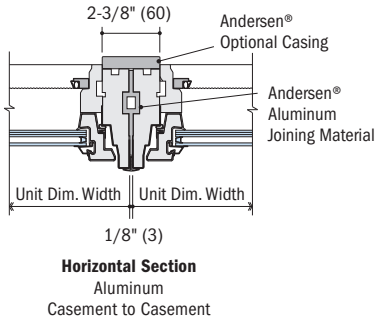


### Overall Window Dimension Width

Sum of individual window widths plus 1/8" (3) for each join.

### Overall Minimum Rough Opening Width

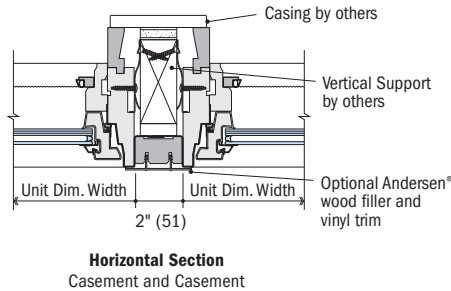
Overall window dimension width plus 1/2" (13).



## Separate Rough Openings Detail

Scale 1<sup>1</sup>/<sub>2</sub>" (38) = 1'-0" (305) – 1:8

To meet structural requirements or to achieve a wider joined appearance, windows may be installed into separate rough openings having vertical support (by others) in combination with Andersen® exterior filler and exterior vinyl trim strip.



**For more information on vertical or horizontal joining refer to the combination designs section starting on page 193.**

- 4 9/16" (116) jamb width measurement is from backside of installation flange.
- Light-colored areas are parts included with window. Dark-colored areas are additional Andersen® parts required to complete window assembly as shown.
- Dimensions in parentheses are in millimeters.
- **Rough openings may need to be increased to allow for use of building wraps, flashing, sill panning, brackets, fasteners or other items. See installation information on page 217.**
- Details are for illustration only and are not intended to represent product installation methods or materials. Refer to product installation guides at andersenwindows.com.
- Consult with an architect or structural engineer regarding minimum requirements for structural support members between adjacent rough openings.



Custom Sizes & Specifications

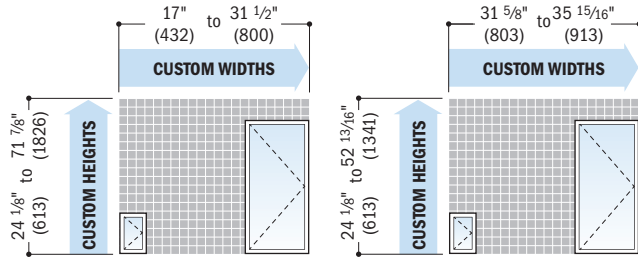


Available in 1/8" (3) increments between minimum and maximum widths and heights. Windows can also be custom sized to match standard sizes ending in a sixteenth of an inch. Some restrictions apply, contact your Andersen supplier.

Custom sizing is available for single windows only. To achieve custom-size double or triple combinations, join custom-size single windows. For minimum rough opening dimensions for joined windows see specific joining instruction guides.

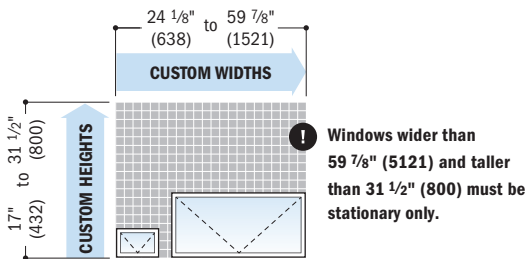
**Measurement guide** for custom sized windows can be found at [andersenwindows.com/measure](http://andersenwindows.com/measure).

Casement Windows



	<b>Clear Opg.</b> Width = window width - 5.81" (148) = (window width - 9.66" (245)) X 1.07 = window width - 9.70" (246)  Height = window height - 4.43" (113) = window height - 4.85" (123)	Width $\geq 24 \frac{1}{8}"$ (613) with straight arm operator Width $\geq 28 \frac{3}{8}"$ (721) with straight arm operator & control bracket Width $\geq 17"$ (432) with split arm operator  Height $\geq 40 \frac{13}{16}"$ (1037) and $< 48"$ (1219); Width $\geq 28 \frac{3}{8}"$ (721) and $< 31 \frac{1}{2}"$ (800) All other window heights		<b>Min. R.O.</b> Width = window width + 1/2" (13) Height = window height + 1/2" (13)
	<b>Vent Opg.</b> Width = window width - 5.81" (148) = window width - 6.10" (155)  Height = window height - 4.43" (113) = window height - 4.85" (123)	Width $\geq 24 \frac{1}{8}"$ (613) with straight arm operator Width $\geq 17"$ (432) with split arm operator  Height $\geq 40 \frac{13}{16}"$ (1037) and $< 48"$ (1219); Width $\geq 28 \frac{3}{8}"$ (721) and $< 31 \frac{1}{2}"$ (800) All other window heights		

Awning Windows



	<b>Clear Opg.</b> Width = window width - 4.53" (115)  Height = 6.38" (162) = 6.44" (164) = 6.50" (165)	Height $\geq 17"$ (432) and $< 20 \frac{1}{2}"$ (521) Height $\geq 20 \frac{1}{2}"$ (521) and $< 24 \frac{1}{8}"$ (613) All other window heights		<b>Min. R.O.</b> Width = window width + 1/2" (13) Height = window height + 1/2" (13)
	<b>Vent Opg.</b> Width = window width - 4.53" (115)  Height = 6.38" (162) = 6.44" (164) = 6.50" (165)	Height $\geq 17"$ (432) and $< 20 \frac{1}{2}"$ (521) Height $\geq 20 \frac{1}{2}"$ (521) and $< 24 \frac{1}{8}"$ (613) All other window heights		

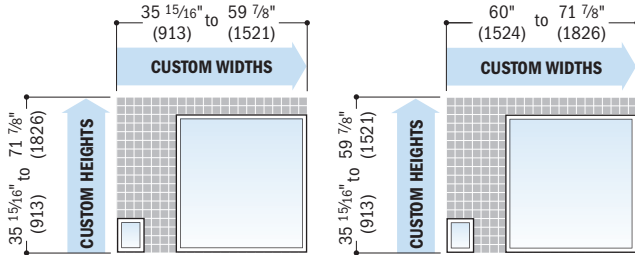
• Dimensions in parentheses are in millimeters.  
 • Refer to [andersenwindows.com/measure](http://andersenwindows.com/measure) for detailed instructions on how to properly measure for custom-size windows.

## Custom Sizes & Specifications



Available in 1/8" (3) increments between minimum and maximum widths and heights. Windows can also be custom sized to match standard sizes ending in a sixteenth of an inch. Some restrictions apply, contact your Andersen supplier.

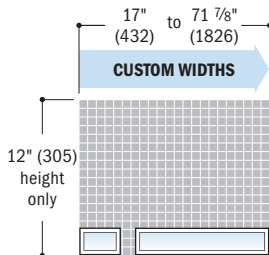
### Casement/Awning Picture Windows



**Measurement guide** for custom sized windows can be found at [andersenwindows.com/measure](http://andersenwindows.com/measure).

<b>Minimum R.O.</b>  Width = window width + 1/2" (13) Height = window height + 1/2" (13)		<b>Unobstr. Glass</b>  Width = window width - 4.80" (122) Height = window height - 4.80" (122)	
---	--	---	--

### Casement/Awning Transom Windows



<b>Minimum R.O.</b>  Width = window width + 1/2" (13) Height = window height + 1/2" (13)		<b>Unobstr. Glass</b>  Width = window width - 4.80" (122) Height = window height - 4.80" (122)	
---	--	---	--

• Dimensions in parentheses are in millimeters.  
 • Refer to [andersenwindows.com/measure](http://andersenwindows.com/measure) for detailed instructions on how to properly measure for custom-size windows.

# TILT-WASH DOUBLE-HUNG WINDOWS

400 Series  
Tilt-Wash  
Double-Hung Windows



## SECTION REFERENCE

Table of Sizes.....	172-174
Specifications .....	175-176
Grille Patterns .....	177
Window Details .....	177-178
Joining Details.....	178
Art Glass Options .....	149
Combination Designs .....	193-202
Performance Data.....	203-215
Warranty.....	221



Lighthouse icon indicates differences from standard unit.

## FEATURES

### Frame

- A** Exterior outer frame members are covered with a Perma-Shield® rigid vinyl cladding, minimizing maintenance and providing an attractive appearance.
- B** For exceptionally long-lasting\* performance, sill members are constructed with a wood core and a Fibrex® composite material exterior. Sill ends are protected and sealed with weather-resistant covers.
- C** Wood stops are made of treated pine that can be finished to match the interior décor. On White prefinished interior units the stops are white vinyl.

For additional protection from air and water infiltration, the sill stop is 1 1/2" (38) high\*\* [standard sill stop height is 1 3/8" (21)]. Interior wood stops are secured to the frame using 1 1/2" (38) 16-gauge crown staples instead of nails.

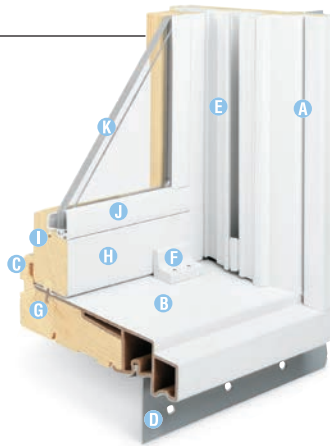
**D** A factory-applied rigid vinyl flange on the head, sill and side of the outer frame helps seal the unit to the structure.

**E** An extruded rigid vinyl jamb liner and fin provide a protective seal against the outer frame members. Exclusive slide wash assists make it easy to tilt sash into wash mode position.

**F** Exterior frame and sill brackets provide structural support for the sash during high winds. Brackets are the same color as the exterior of unit.

**G** Weatherstripping throughout the unit provides a long-lasting\* energy-efficient, weather-resistant seal. For the top and bottom rails, an encased foam material is used. The head jamb liner and sill have a rigid vinyl rib that the weatherstripping material compresses against. At the check rail, compressible vinyl bulb material is used. Side jamb liners use leaf-type weatherstripping with foam inserts.

Unique block-and-tackle counterbalances feature sized-to-the-unit, rust-resistant springs that require no adjustment. Glass-reinforced nylon balancer shoes provide smooth, reliable sash operation. They automatically lock the balancer into position when sash are tilted into wash mode.



### Sash

**H** A polyester-stabilized coat with a Flexacron® finish is electrostatically applied to penetrate all exterior surfaces for maximum protection and a lustrous finish.

**I** Wood sash members are treated with a water-repellent preservative for long-lasting\* protection and performance. Interior surfaces are unfinished pine. Low-maintenance painted White interiors are also available.

### Glass

**J** A rigid vinyl glazing bead with flexible lip, combined with structural silicone glazing, provides superior weathertightness and durability.

**K** Consult local building codes for glass most suitable to your area. High-performance glass options include:

- Low-E4® glass (PG Upgrade)
- Low-E4 SmartSun glass (PG Upgrade)
- Low-E4 Sun glass (PG Upgrade)
- Low-E4 impact-resistant glass
- Low-E4 SmartSun™ impact-resistant glass
- Low-E4 Sun impact-resistant glass
- Low-E4 tempered impact-resistant glass options available
- Impact-resistant Monolithic Clear glass
- Impact-resistant Monolithic Gray glass

A removable translucent film helps shield the glass from damage during delivery and construction and simplifies finishing at the jobsite.

\*Visit andersenwindows.com/warranty or contact your Andersen supplier for details on the 400 Series with Stormwatch® protection and impact-resistant glass Limited Warranty.

\*\*Infringes on the overall net clear opening. Unit clear openable area may not meet egress requirements. See your local code official for more information.

†PG upgrade units only.

“Flexacron” is a registered trademark of PPG Industries, Inc.

Dimensions in parentheses are in millimeters.

Distressed Bronze and Oil Rubbed Bronze are “living” finishes that will change with time and use. Printing limitations prevent exact duplication of colors and finishes. See your Andersen supplier for actual color and finish samples.

### Sash Options



Cottage Style (select sizes)

### EXTERIOR



White Canvas Sandtone Terratone



Forest Green Dark Bronze

### INTERIOR



Pine White

Naturally occurring variations in grain, color and texture of wood make each window one of a kind. All wood interiors are unfinished unless prefinished White is specified.

### HARDWARE FINISHES



Antique Brass† Black Bright Brass† Brushed Chrome† Distressed Bronze† Distressed Nickel†



Gold Dust Oil Rubbed Bronze Polished Chrome† Satin Nickel Stone White

### DOUBLE-HUNG HARDWARE



Black | Gold Dust | Oil Rubbed Bronze  
Satin Nickel | **Stone** | White

*Bold name denotes finish shown.*

A metal lock & keeper creates a strong, secure engagement. Two locks are applied for added protection.

### OPTIONAL DOUBLE-HUNG HARDWARE

(PG UPGRADE UNITS ONLY)

#### ESTATE™

Lock & Keeper



Antique Brass | **Bright Brass**  
Brushed Chrome | Distressed Bronze  
Distressed Nickel | Oil Rubbed Bronze  
Polished Chrome | Satin Nickel

#### STANDARD


Lock & Keeper



Black | Gold Dust  
**Stone** | White


*Bold name denotes finish shown.*

## Installation System

 The installation system includes 1 ½" (38) by 3" (76) stainless steel installation clips for additional reinforcement. The installation clips are screwed to the frame and fastened to the rough opening for secure installation. Optional 6" (152) clips are available for use with factory-applied or preapplied extension jambs.



## Retractable Interior Bracket

 Interior brackets provide additional structural support for the sash and frame. The brackets retract out of sight when not in use. Available with a Stone finish or a White finish with White interior units. Brackets must be engaged to meet structural requirements.

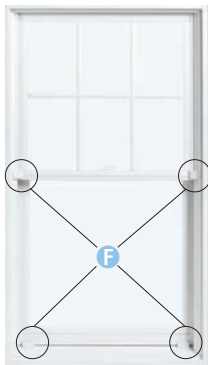


Retracted



Engaged

## Exterior Brackets



## ACCESSORIES

### Frame

#### Extension Jambs



Standard jamb depth is 4 ½" (114). Jamb depth can be 4 ⅞" (105) if installation flange is reversed. Extension jambs are available in unfinished pine or prefinished White. Some sizes may be veneered.

#### Factory-Applied Extension Jambs

Available in 6 ⅞" (167) size. Extension jambs can be factory applied to either three sides (stool and apron application) or four sides (picture frame casing).

#### Non-Applied Extension Jambs

Non-applied extension jambs are available for the following wall depths:

- 5 ¼" (133)
- 6 ⅞" (167)
- 7 ⅞" (181)

#### Pine Stool



A clear pine stool is available and ready for finishing. The tilt-wash stool is available in 4 ¾" (116) for use in wall depths up to 5 ¼" (133), and 6 ⅞" (167) for use in wall depths up to 7 ⅞" (181). Works with 2 ¼" (57) and 2 ½" (64) wide casings.

### Glass

#### Andersen® Art Glass

Available for tilt-wash transom and picture units. Andersen art glass panels come in a variety of original patterns, including four Frank Lloyd Wright® Series designs. See page 149 for details on Andersen art glass. Visit [andersenwindows.com/artglass](http://andersenwindows.com/artglass) for details and pattern information.

### Insect Screens

#### TruScene® Insect Screen



Exclusive Andersen® TruScene® insect screens provide over 50% more clarity than our conventional insect screens for a beautiful unobstructed view. And they allow more fresh air and sunlight, while doing a better job of keeping out small insects. Choose full insect screen or half insect screen. Frame colors match product exteriors.

#### Conventional Insect Screen

Conventional insect screens have charcoal powder-coated aluminum screen cloth.

### Hardware

#### Opening Control Device Kit



A Window Opening Control Device Kit is available, which limits raising the sash to less than 4" (102) when the window is first opened. Available in Stone and White.

### Grilles

Grilles are available in a variety of configurations and widths. For tilt-wash grille patterns see page 177.

### Exterior Trim

This product is available with Andersen® Exterior Trim. See pages 129–136 for details.

### Performance Grade (PG) Upgrade

A high inside sill stop\* and interior/exterior brackets are available to provide additional structural support for Andersen® tilt-wash units, allowing standard glass units to achieve a higher PG rating.\*\* Performance Grade Ratings replace Design Pressure Ratings for measuring product performance. For up-to-date performance information of individual products please visit [andersenwindows.com](http://andersenwindows.com). Use of this package will subtract ⅝" (16) from clear opening height. PG Upgrade not available for 72" (1829) and 76" (1930) heights.

### Woodwright® Double-Hung Windows

PG Upgrades\*\* are also available for select Woodwright® sizes. Ask your Andersen supplier for details.

#### CAUTION:

- Painting and staining may cause damage to rigid vinyl.
- 400 Series windows in Terratone color may be painted any color lighter than Terratone color using quality oil-base or latex paint. Submit color samples to Andersen for approval when painting Terratone any color darker than Terratone.
- Do not paint 400 Series windows with White, Canvas, Sandtone, Forest Green or Dark Bronze exterior colors.
- Creosote-based stains should not come in contact with Andersen products.
- Do not paint weatherstripping.
- Abrasive cleaners or solutions containing corrosive solvents should not be used on Andersen products.
- For vinyl painting instructions and preparation, contact your Andersen supplier.
- Andersen does not warrant the adhesion or performance of homeowner-applied paint over vinyl or other factory-coated surfaces.

\*Infringes on the overall net clear opening. Unit clear openable area may not meet egress requirements. See your local code official for more information.

\*\*For up-to-date performance information of individual products please visit [andersenwindows.com](http://andersenwindows.com). Dimensions in parentheses are in millimeters.

"Frank Lloyd Wright" is a registered trademark of the Frank Lloyd Wright Foundation.



# TILT-WASH DOUBLE-HUNG WINDOWS

**Table of Tilt-Wash Double-Hung Window Sizes**

Scale 1/8" (3) = 1'-0" (305) – 1:96

Window Dimension	1'-9 5/8" (549)	2'-1 5/8" (651)	2'-5 5/8" (752)	2'-7 5/8" (803)	2'-9 5/8" (854)	2'-11 5/8" (905)	3'-1 5/8" (956)	3'-5 5/8" (1057)	3'-9 5/8" (1159)
<b>Minimum Rough Opening</b>	1'-10 1/8" (562)	2'-2 1/8" (664)	2'-6 1/8" (765)	2'-8 1/8" (816)	2'-10 1/8" (867)	3'-0 1/8" (917)	3'-2 1/8" (968)	3'-6 1/8" (1070)	3'-10 1/8" (1172)
Unobstructed Glass (lower sash only)	15" (381)	19" (483)	23" (584)	25" (635)	27" (686)	29" (737)	31" (787)	35" (889)	39" (991)
3'-0 7/8" (937)									
3'-4 7/8" (1038)									
3'-8 7/8" (1140)									
4'-0 7/8" (1241)									
4'-4 7/8" (1343)									
4'-8 7/8" (1445)									
5'-0 7/8" (1546)									
5'-4 7/8" (1648)									
5'-8 7/8" (1749)									
6'-0 7/8" (1851)									
6'-4 7/8" (1953)									

Grille patterns shown on page 177.

Cottage sash are available for these heights and in all widths.



- "Window Dimension" always refers to outside frame to frame dimension.
- "Minimum Rough Opening" dimensions may need to be increased to allow for use of building wraps, flashing, sill panning, brackets, fasteners or other items. See installation information on page 217.
- Dimensions in parentheses are in millimeters.
- ◊ Meet or exceed clear opening area of 5.7 sq.ft. or 0.53 m<sup>2</sup>, clear opening width of 20" (508) and clear opening height of 24" (610). See tables on pages 175-176.

**Table of Tilt-Wash Transom Window Sizes**

Scale 1/8" (3) = 1'-0" (305) – 1:96

Window Dimension	1'-9 5/8" (549)	2'-1 5/8" (651)	2'-5 5/8" (752)	2'-7 5/8" (803)	2'-9 5/8" (854)	2'-11 5/8" (905)	3'-1 5/8" (956)	3'-5 5/8" (1057)	3'-9 5/8" (1159)
<b>Minimum Rough Opening</b>	1'-10 1/8" (562)	2'-2 1/8" (664)	2'-6 1/8" (765)	2'-8 1/8" (816)	2'-10 1/8" (867)	3'-0 1/8" (917)	3'-2 1/8" (968)	3'-6 1/8" (1070)	3'-10 1/8" (1172)
Unobstructed Glass	15" (380)	19" (482)	23" (583)	25" (635)	27" (685)	29" (737)	31" (787)	35" (888)	39" (990)

1'-0" (305)	1'-0 1/2" (318)	5 3/8" (136)									
1'-7 5/16" (491)	1'-7 7/8" (504)	12 11/16" (321)									
1'-9 5/16" (541)	1'-9 7/8" (555)	14 11/16" (372)									
2'-1 5/16" (643)	2'-1 7/8" (657)	18 11/16" (474)									
2'-3 5/16" (694)	2'-3 7/8" (707)	20 11/16" (525)									
2'-5 5/16" (745)	2'-5 7/8" (758)	22 11/16" (575)									
2'-9 5/16" (846)	2'-9 7/8" (860)	26 11/16" (677)									
3'-3 5/16" (999)	3'-3 7/8" (1012)	32 11/16" (829)									

Grille patterns shown on page 177.

400 Series  
Tilt-Wash  
Double-Hung Windows

- "Window Dimension" always refers to outside frame to frame dimension.
- "Minimum Rough Opening" dimensions may need to be increased to allow for use of building wraps, flashing, sill panning, brackets, fasteners or other items. See installation information on page 217.
- Dimensions in parentheses are in millimeters.

# TILT-WASH DOUBLE-HUNG WINDOWS

**Table of Tilt-Wash Picture Window Sizes**

Scale 1/8" (3) = 1'-0" (305) – 1:96

Window Dimension	1'-0" (305)	3'-1 5/8" (956)	3'-5 5/8" (1057)	3'-11 5/16" (1202)	4'-3 5/16" (1303)	4'-11 5/16" (1507)	5'-7 5/16" (1710)
<b>Minimum Rough Opening</b>	1'-0 1/2" (318)	3'-2 1/8" (968)	3'-6 1/8" (1070)	3'-11 7/8" (1216)	4'-3 7/8" (1318)	4'-11 7/8" (1521)	5'-7 7/8" (1724)
Unobstructed Glass	7 1/16" (179)	32 11/16" (830)	36 11/16" (932)	42 3/8" (1076)	46 3/8" (1178)	54 3/8" (1381)	62 3/8" (1584)
4'-0 7/8" (1241)							
	DHP10310	DHP30310	DHP34310	DHP310310	DHP42310	DHP410310	DHP56310
4'-4 7/8" (1343)							
	DHP1042	DHP3042	DHP3442	DHP31042	DHP4242	DHP41042	DHP5642
4'-8 7/8" (1445)							
	DHP1046	DHP3046	DHP3446	DHP31046	DHP4246	DHP41046	DHP5646
5'-0 7/8" (1547)							
	DHP10410	DHP30410	DHP34410	DHP310410	DHP42410	DHP410410	DHP56410
5'-4 7/8" (1648)							
	DHP1052	DHP3052	DHP3452	DHP31052	DHP4252	DHP41052	DHP5652
5'-8 7/8" (1749)							
	DHP1056	DHP3056	DHP3456	DHP31056	DHP4256	DHP41056	DHP5656
6'-0 7/8" (1851)							
	DHP10510	DHP30510	DHP34510	DHP310510	DHP42510	DHP410510	DHP56510
6'-4 7/8" (1953)							
	DHP1062	DHP3062	DHP3462	DHP31062	DHP4262	DHP41062	DHP5662

Picture windows are not available with Monolithic Impact-Resistant Glass.

Grille patterns shown on page 177.

- "Window Dimension" always refers to outside frame to frame dimension.
- "Minimum Rough Opening" dimensions may need to be increased to allow for use of building wraps, flashing, sill panning, brackets, fasteners or other items. See installation information on page 217.
- Dimensions in parentheses are in millimeters.

**Tilt-Wash Double-Hung Window Opening and Area Specifications**

Window Number	Clear Opening Sq. Ft./ (m <sup>2</sup> )	Clear Opening in Full Open Position		Glass Area Sq. Ft./ (m <sup>2</sup> )	Vent Sq. Ft./ (m <sup>2</sup> )	Top of Subfloor to Top of Inside Sill Stop Inches/ (mm)	Overall Window Area Sq. Ft./ (m <sup>2</sup> )
		Width Inches/ (mm)	Height Inches/ (mm)				
TW18210	1.64 (0.15)	17 7/8" (454)	13 3/16" (335)	2.90 (0.27)	1.69 (0.16)	49 3/4" (1264)	5.53 (0.51)
TW1832	1.89 (0.18)	17 7/8" (454)	15 3/16" (386)	3.32 (0.31)	1.94 (0.18)	45 3/4" (1162)	6.14 (0.57)
TW1836	2.13 (0.20)	17 7/8" (454)	17 3/16" (437)	3.74 (0.35)	2.19 (0.20)	41 3/4" (1060)	6.74 (0.63)
TW18310	2.38 (0.22)	17 7/8" (454)	19 3/16" (487)	4.15 (0.39)	2.44 (0.23)	37 3/4" (959)	7.34 (0.68)
TW1842	2.63 (0.24)	17 7/8" (454)	21 3/16" (538)	4.57 (0.43)	2.68 (0.25)	33 3/4" (857)	7.94 (0.74)
TW1846	2.88 (0.27)	17 7/8" (454)	23 3/16" (589)	4.98 (0.46)	2.93 (0.27)	29 3/4" (756)	8.54 (0.79)
TW18410	3.13 (0.29)	17 7/8" (454)	25 3/16" (640)	5.40 (0.50)	3.18 (0.30)	25 3/4" (654)	9.14 (0.85)
TW1852	3.38 (0.31)	17 7/8" (454)	27 3/16" (691)	5.81 (0.54)	3.43 (0.32)	21 3/4" (552)	9.74 (0.91)
TW1856	3.62 (0.34)	17 7/8" (454)	29 3/16" (741)	6.23 (0.58)	3.68 (0.34)	17 3/4" (451)	10.34 (0.96)
TW18510	3.87 (0.36)	17 7/8" (454)	31 3/16" (792)	6.65 (0.62)	3.93 (0.37)	13 3/4" (349)	10.94 (1.02)
TW1862	4.12 (0.38)	17 7/8" (454)	33 3/16" (843)	7.06 (0.66)	4.17 (0.39)	9 3/4" (248)	11.54 (1.07)
TW20210	2.00 (0.19)	21 7/8" (556)	13 3/16" (335)	3.68 (0.34)	2.07 (0.19)	49 3/4" (1264)	6.56 (0.61)
TW2032	2.31 (0.21)	21 7/8" (556)	15 3/16" (386)	4.21 (0.39)	2.37 (0.22)	45 3/4" (1162)	7.27 (0.68)
TW2036	2.61 (0.24)	21 7/8" (556)	17 3/16" (437)	4.73 (0.44)	2.68 (0.25)	41 3/4" (1060)	7.98 (0.74)
TW20310	2.92 (0.27)	21 7/8" (556)	19 3/16" (487)	5.26 (0.49)	2.98 (0.28)	37 3/4" (959)	8.69 (0.81)
TW2042	3.22 (0.30)	21 7/8" (556)	21 3/16" (538)	5.79 (0.54)	3.28 (0.31)	33 3/4" (857)	9.41 (0.87)
TW2046	3.52 (0.33)	21 7/8" (556)	23 3/16" (589)	6.31 (0.59)	3.59 (0.33)	2 3/4" (756)	10.12 (0.94)
TW20410	3.83 (0.36)	21 7/8" (556)	25 3/16" (640)	6.84 (0.64)	3.89 (0.36)	2 3/4" (654)	10.83 (1.01)
TW2052	4.13 (0.38)	21 7/8" (556)	27 3/16" (691)	7.37 (0.69)	4.20 (0.39)	21-3/4" (552)	11.54 (1.07)
TW2056	4.43 (0.41)	21 7/8" (556)	29 3/16" (741)	7.89 (0.73)	4.50 (0.42)	17 3/4" (451)	12.25 (1.14)
TW20510	4.74 (0.44)	21 7/8" (556)	31 3/16" (792)	8.42 (0.78)	4.80 (0.45)	13 3/4" (349)	12.96 (1.20)
TW2062	5.04 (0.47)	21 7/8" (556)	33 3/16" (843)	8.95 (0.83)	5.11 (0.48)	9 3/4" (248)	13.68 (1.27)
TW24210	2.37 (0.22)	25 7/8" (657)	13 3/16" (335)	4.46 (0.41)	2.45 (0.23)	49 3/4" (1264)	7.58 (0.70)
TW2432	2.73 (0.25)	25 7/8" (657)	15 3/16" (386)	5.09 (0.47)	2.81 (0.26)	45 3/4" (1162)	8.40 (0.78)
TW2436	3.09 (0.29)	25 7/8" (657)	17 3/16" (437)	5.73 (0.53)	3.17 (0.29)	41 3/4" (1060)	9.23 (0.86)
TW24310	3.45 (0.32)	25 7/8" (657)	19 3/16" (487)	6.37 (0.59)	3.53 (0.33)	37 3/4" (959)	10.05 (0.93)
TW2442	3.81 (0.35)	25 7/8" (657)	21 3/16" (538)	7.01 (0.65)	3.89 (0.36)	33 3/4" (857)	10.87 (1.01)
TW2446	4.17 (0.39)	25 7/8" (657)	23 3/16" (589)	7.65 (0.71)	4.24 (0.39)	26 3/4" (756)	11.70 (1.09)
TW24410	4.53 (0.42)	25 7/8" (657)	25 3/16" (640)	8.28 (0.77)	4.60 (0.43)	25 3/4" (654)	12.52 (1.16)
TW2452	4.89 (0.45)	25 7/8" (657)	27 3/16" (691)	8.92 (0.83)	4.96 (0.46)	21 3/4" (552)	13.34 (1.24)
TW2456	5.25 (0.49)	25 7/8" (657)	29 3/16" (741)	9.56 (0.89)	5.32 (0.49)	17 3/4" (451)	14.17 (1.32)
TW24510	5.60 (0.52)	25 7/8" (657)	31 3/16" (792)	10.20 (0.95)	5.68 (0.53)	13 3/4" (349)	14.99 (1.39)
TW2462 ◊	5.96 (0.55)	25 7/8" (657)	33 3/16" (843)	10.84 (1.01)	6.04 (0.56)	9 3/4" (248)	15.81 (1.47)
TW26210	2.55 (0.24)	27 7/8" (708)	13 3/16" (335)	4.84 (0.45)	2.64 (0.25)	49 3/4" (1264)	8.09 (0.75)
TW2632	2.94 (0.27)	27 7/8" (708)	15 3/16" (386)	5.54 (0.52)	3.02 (0.28)	45 3/4" (1162)	8.97 (0.83)
TW2636	3.33 (0.31)	27 7/8" (708)	17 3/16" (437)	6.23 (0.58)	3.41 (0.32)	41 3/4" (1060)	9.85 (0.92)
TW26310	3.71 (0.35)	27 7/8" (708)	19 3/16" (487)	6.92 (0.64)	3.80 (0.35)	37 3/4" (959)	10.73 (1.00)
TW2642	4.10 (0.38)	27 7/8" (708)	21 3/16" (538)	7.62 (0.71)	4.19 (0.39)	33 3/4" (857)	11.61 (1.08)
TW2646	4.49 (0.42)	27 7/8" (708)	23 3/16" (589)	8.31 (0.77)	4.57 (0.43)	29 3/4" (756)	12.49 (1.16)
TW26410	4.88 (0.45)	27 7/8" (708)	25 3/16" (640)	9.01 (0.84)	4.96 (0.46)	25 3/4" (654)	13.36 (1.24)
TW2652	5.26 (0.49)	27 7/8" (708)	27 3/16" (691)	9.70 (0.90)	5.35 (0.50)	21 3/4" (552)	14.24 (1.32)
TW2656	5.65 (0.53)	27 7/8" (708)	29 3/16" (741)	10.39 (0.96)	5.73 (0.53)	17 3/4" (451)	15.12 (1.41)
TW26510 ◊	6.04 (0.56)	27 7/8" (708)	31 3/16" (792)	11.09 (1.03)	6.12 (0.57)	13 3/4" (349)	16.00 (1.49)
TW2662 ◊	6.42 (0.60)	27 7/8" (708)	33 3/16" (843)	11.78 (1.09)	6.51 (0.61)	9 3/4" (248)	16.88 (1.57)
TW28210	2.74 (0.25)	29 7/8" (759)	13 3/16" (335)	5.23 (0.49)	2.83 (0.26)	49 3/4" (1264)	8.61 (0.80)
TW2832	3.15 (0.29)	29 7/8" (759)	15 3/16" (386)	5.98 (0.56)	3.24 (0.30)	45 3/4" (1162)	9.54 (0.89)
TW2836	3.57 (0.33)	29 7/8" (759)	17 3/16" (437)	6.73 (0.63)	3.66 (0.34)	41 3/4" (1060)	10.47 (0.97)
TW28310	3.98 (0.37)	29 7/8" (759)	19 3/16" (487)	7.48 (0.70)	4.07 (0.38)	37 3/4" (959)	11.41 (1.06)
TW2842	4.40 (0.41)	29 7/8" (759)	21 3/16" (538)	8.23 (0.77)	4.49 (0.42)	33 3/4" (857)	12.34 (1.15)
TW2846	4.81 (0.45)	29 7/8" (759)	23 3/16" (589)	8.98 (0.83)	4.90 (0.46)	29 3/4" (756)	13.28 (1.23)
TW28410	5.23 (0.49)	29 7/8" (759)	25 3/16" (640)	9.73 (0.90)	5.32 (0.49)	25 3/4" (654)	14.21 (1.32)
TW2852	5.64 (0.52)	29 7/8" (759)	27 3/16" (691)	10.48 (0.97)	5.73 (0.53)	21 3/4" (552)	15.14 (1.41)
TW2856 ◊	6.06 (0.56)	29 7/8" (759)	29 3/16" (741)	11.22 (1.04)	6.15 (0.57)	17 3/4" (451)	16.08 (1.49)
TW28510 ◊	6.47 (0.60)	29 7/8" (759)	31 3/16" (792)	11.97 (1.11)	6.56 (0.61)	13 3/4" (349)	17.01 (1.58)
TW2862 ◊	6.89 (0.64)	29 7/8" (759)	33 3/16" (843)	12.72 (1.18)	6.98 (0.65)	9 3/4" (248)	17.95 (1.67)
TW210210	2.92 (0.27)	31 7/8" (809)	13 3/16" (335)	5.62 (0.52)	3.02 (0.28)	49 3/4" (1264)	9.12 (0.85)
TW21032	3.36 (0.31)	31 7/8" (809)	15 3/16" (386)	6.42 (0.60)	3.46 (0.32)	45 3/4" (1162)	10.11 (0.94)
TW21036	3.81 (0.35)	31 7/8" (809)	17 3/16" (437)	7.23 (0.67)	3.90 (0.36)	41 3/4" (1060)	11.10 (1.03)
TW210310	4.25 (0.40)	31 7/8" (809)	19 3/16" (487)	8.03 (0.75)	4.34 (0.40)	37 3/4" (959)	12.09 (1.12)
TW21042	4.69 (0.44)	31 7/8" (809)	21 3/16" (538)	8.84 (0.82)	4.79 (0.45)	33 3/4" (857)	13.08 (1.22)
TW21046	5.13 (0.48)	31 7/8" (809)	23 3/16" (589)	9.64 (0.90)	5.23 (0.49)	29 3/4" (756)	14.07 (1.31)

For cottage sash window opening specifications contact your Andersen supplier.

- "Top of Subfloor to Top of Inside Sill Stop" is calculated based upon a structural header height of 6'-10 1/2" (2096).
- Dimensions in parentheses are in millimeters or square meters.
- ◊ Meet or exceed clear opening area of 5.7 sq.ft. or 0.53 m<sup>2</sup>, clear opening width of 20" (508) and clear opening height of 24" (610).

**Tilt-Wash Transom Window Area Specifications**

Window Number	Glass Area Sq. Ft./ (m <sup>2</sup> )	Overall Window Area Sq. Ft./ (m <sup>2</sup> )
TWT1810	0.56 (0.05)	1.80 (0.17)
TWT1815	1.32 (0.12)	2.90 (0.27)
TWT1817	1.52 (0.14)	3.20 (0.30)
TWT18111	1.94 (0.18)	3.80 (0.35)
TWT1821	2.15 (0.20)	4.10 (0.38)
TWT1823	2.35 (0.22)	4.40 (0.41)
TWT1827	2.77 (0.26)	5.00 (0.47)
TWT1831	3.39 (0.32)	5.90 (0.55)
TWT2010	0.70 (0.07)	2.14 (0.20)
TWT2015	1.67 (0.16)	3.44 (0.32)
TWT2017	1.93 (0.18)	3.79 (0.35)
TWT20111	2.46 (0.23)	4.50 (0.42)
TWT2021	2.72 (0.25)	4.86 (0.45)
TWT2023	2.98 (0.28)	5.22 (0.49)
TWT2027	3.51 (0.33)	5.93 (0.55)
TWT2031	4.30 (0.40)	7.00 (0.65)
TWT2410	0.85 (0.08)	2.47 (0.23)
TWT2415	2.02 (0.19)	3.97 (0.37)
TWT2417	2.34 (0.22)	4.38 (0.41)
TWT24111	2.98 (0.28)	5.21 (0.48)
TWT2421	3.29 (0.31)	5.62 (0.52)
TWT2423	3.61 (0.34)	6.03 (0.56)
TWT2427	4.25 (0.40)	6.85 (0.64)
TWT2431	5.21 (0.48)	8.09 (0.75)
TWT2610	0.93 (0.09)	2.64 (0.25)
TWT2615	2.19 (0.20)	4.24 (0.39)
TWT2617	2.54 (0.24)	4.68 (0.44)
TWT26111	3.23 (0.30)	5.56 (0.52)
TWT2621	3.58 (0.33)	6.00 (0.56)
TWT2623	3.93 (0.37)	6.44 (0.60)
TWT2627	4.62 (0.43)	7.32 (0.68)
TWT2631	5.66 (0.53)	8.63 (0.80)
TWT2810	1.00 (0.09)	2.80 (0.26)
TWT2815	2.37 (0.22)	4.51 (0.42)
TWT2817	2.74 (0.26)	4.98 (0.46)
TWT28111	3.49 (0.32)	5.91 (0.55)
TWT2821	3.87 (0.36)	6.38 (0.59)
TWT2823	4.24 (0.39)	6.84 (0.64)

• Dimensions in parentheses are in square meters.

continued on next page

continued on next page

400 Series Tilt-Wash Double-Hung Windows

## Tilt-Wash Double-Hung Window Opening and Area Specifications *(continued)*

See double-hung notes on page 175.

Window Number	Clear Opening		Clear Opening in Full Open Position		Glass Area Sq. Ft./ (m <sup>2</sup> )	Vent Sq. Ft./ (m <sup>2</sup> )	Top of Subfloor to Top of Inside Sill Stop Inches/ (mm)	Overall Window Area Sq. Ft./ (m <sup>2</sup> )
	Sq. Ft./ (m <sup>2</sup> )	Width Inches/ (mm)	Height Inches/ (mm)	Width Inches/ (mm)				
TW210410	5.58 (0.52)	31 7/8" (809)	25 3/16" (640)	10.45 (0.97)	5.67 (0.53)	25 3/4" (654)	15.05 (1.40)	
TW210520	6.02 (0.56)	31 7/8" (809)	27 3/16" (691)	11.25 (1.05)	6.11 (0.57)	21 3/4" (552)	16.04 (1.49)	
TW210560	6.46 (0.60)	31 7/8" (809)	29 3/16" (741)	12.06 (1.12)	6.56 (0.61)	17 3/4" (451)	17.03 (1.59)	
TW210510	6.90 (0.64)	31 7/8" (809)	31 3/16" (792)	12.86 (1.20)	7.00 (0.65)	13 3/4" (349)	18.02 (1.67)	
TW210620	7.35 (0.68)	31 7/8" (809)	33 3/16" (843)	13.67 (1.27)	7.44 (0.69)	9 3/4" (248)	19.01 (1.77)	
TW30210	3.10 (0.29)	33 7/8" (860)	13 3/16" (335)	6.01 (0.56)	3.20 (0.30)	49 3/4" (1264)	9.63 (0.90)	
TW3032	3.57 (0.33)	33 7/8" (860)	15 3/16" (386)	6.87 (0.64)	3.67 (0.34)	45 3/4" (1162)	10.67 (0.99)	
TW3036	4.04 (0.38)	33 7/8" (860)	17 3/16" (437)	7.73 (0.72)	4.15 (0.39)	41 3/4" (1060)	11.72 (1.09)	
TW30310	4.51 (0.42)	33 7/8" (860)	19 3/16" (487)	8.59 (0.80)	4.62 (0.43)	37 3/4" (959)	12.76 (1.19)	
TW3042	4.99 (0.46)	33 7/8" (860)	21 3/16" (538)	9.45 (0.88)	5.09 (0.47)	33 3/4" (857)	13.81 (1.28)	
TW3046	5.46 (0.51)	33 7/8" (860)	23 3/16" (589)	10.31 (0.96)	5.56 (0.52)	29 3/4" (756)	14.85 (1.38)	
TW30410	5.93 (0.55)	33 7/8" (860)	25 3/16" (640)	11.17 (1.04)	6.03 (0.56)	25 3/4" (654)	15.90 (1.48)	
TW30520	6.40 (0.59)	33 7/8" (860)	27 3/16" (691)	12.03 (1.12)	6.50 (0.60)	21 3/4" (552)	16.95 (1.58)	
TW30560	6.87 (0.64)	33 7/8" (860)	29 3/16" (741)	12.89 (1.20)	6.97 (0.65)	17 3/4" (451)	17.99 (1.67)	
TW30510	7.34 (0.68)	33 7/8" (860)	31 3/16" (792)	13.75 (1.28)	7.44 (0.69)	13 3/4" (349)	19.04 (1.77)	
TW30620	7.81 (0.73)	33 7/8" (860)	33 3/16" (843)	14.61 (1.36)	7.91 (0.74)	9 3/4" (248)	20.08 (1.87)	
TW34210	3.47 (0.32)	37 7/8" (962)	13 3/16" (335)	6.79 (0.63)	3.58 (0.33)	49 3/4" (1264)	10.65 (0.99)	
TW3432	4.00 (0.37)	37 7/8" (962)	15 3/16" (386)	7.76 (0.72)	4.11 (0.38)	45 3/4" (1162)	11.81 (1.10)	
TW3436	4.52 (0.42)	37 7/8" (962)	17 3/16" (437)	8.73 (0.81)	4.63 (0.43)	41 3/4" (1060)	12.97 (1.21)	
TW34310	5.05 (0.47)	37 7/8" (962)	19 3/16" (487)	9.70 (0.90)	5.16 (0.48)	37 3/4" (959)	14.12 (1.31)	
TW3442	5.57 (0.52)	37 7/8" (962)	21 3/16" (538)	10.67 (0.99)	5.69 (0.53)	33 3/4" (857)	15.28 (1.42)	
TW3446	6.10 (0.57)	37 7/8" (962)	23 3/16" (589)	11.64 (1.08)	6.21 (0.58)	29 3/4" (756)	16.43 (1.53)	
TW34410	6.63 (0.62)	37 7/8" (962)	25 3/16" (640)	12.61 (1.17)	6.74 (0.63)	25 3/4" (654)	17.59 (1.63)	
TW34520	7.15 (0.66)	37 7/8" (962)	27 3/16" (691)	13.58 (1.26)	7.27 (0.68)	21 3/4" (552)	18.75 (1.74)	
TW34560	7.68 (0.71)	37 7/8" (962)	29 3/16" (741)	14.55 (1.35)	7.79 (0.72)	17 3/4" (451)	19.90 (1.85)	
TW34510	8.20 (0.76)	37 7/8" (962)	31 3/16" (792)	15.53 (1.44)	8.32 (0.77)	13 3/4" (349)	21.06 (1.96)	
TW34620	8.73 (0.81)	37 7/8" (962)	33 3/16" (843)	16.50 (1.53)	8.84 (0.82)	9 3/4" (248)	22.22 (2.06)	
TW38210	3.84 (0.36)	41 7/8" (1064)	13 3/16" (335)	7.56 (0.70)	3.96 (0.37)	49 3/4" (1264)	11.68 (1.09)	
TW3832	4.42 (0.41)	41 7/8" (1064)	15 3/16" (386)	8.64 (0.80)	4.54 (0.42)	45 3/4" (1162)	12.94 (1.20)	
TW3836	5.00 (0.46)	41 7/8" (1064)	17 3/16" (437)	9.72 (0.90)	5.12 (0.48)	41 3/4" (1060)	14.21 (1.32)	
TW38310	5.58 (0.52)	41 7/8" (1064)	19 3/16" (487)	10.81 (1.00)	5.71 (0.53)	37 3/4" (959)	15.48 (1.44)	
TW3842	6.16 (0.57)	41 7/8" (1064)	21 3/16" (538)	11.89 (1.11)	6.29 (0.58)	33 3/4" (857)	16.75 (1.56)	
TW3846	6.74 (0.63)	41 7/8" (1064)	23 3/16" (589)	12.97 (1.21)	6.87 (0.64)	29 3/4" (756)	18.01 (1.67)	
TW38410	7.33 (0.68)	41 7/8" (1064)	25 3/16" (640)	14.05 (1.31)	7.45 (0.69)	25 3/4" (654)	19.28 (1.79)	
TW38520	7.91 (0.74)	41 7/8" (1064)	27 3/16" (691)	15.14 (1.41)	8.03 (0.75)	21 3/4" (552)	20.55 (1.91)	
TW38560	8.49 (0.79)	41 7/8" (1064)	29 3/16" (741)	16.22 (1.51)	8.61 (0.80)	17 3/4" (451)	21.62 (2.01)	
TW38510	9.07 (0.84)	41 7/8" (1064)	31 3/16" (792)	17.30 (1.61)	9.20 (0.85)	13 3/4" (349)	23.08 (2.14)	
TW38620	9.65 (0.90)	41 7/8" (1064)	33 3/16" (843)	18.38 (1.71)	9.78 (0.91)	9 3/4" (248)	24.35 (2.26)	

## Tilt-Wash Transom Window Area Specifications *(continued)*

Window Number	Glass Area Sq. Ft./ (m <sup>2</sup> )	Overall Window Area Sq. Ft./ (m <sup>2</sup> )
TWT2827	4.99 (0.46)	7.78 (0.72)
TWT2831	6.12 (0.57)	9.18 (0.85)
TWT21010	1.07 (0.10)	2.97 (0.28)
TWT21015	2.55 (0.24)	4.78 (0.44)
TWT21017	2.95 (0.27)	5.27 (0.49)
TWT210111	3.75 (0.35)	6.26 (0.58)
TWT21021	4.15 (0.39)	6.76 (0.63)
TWT21023	4.56 (0.42)	7.25 (0.67)
TWT21027	5.36 (0.50)	8.24 (0.77)
TWT21031	6.57 (0.61)	9.73 (0.90)
TWT3010	1.15 (0.11)	3.14 (0.29)
TWT3015	2.72 (0.25)	5.05 (0.47)
TWT3017	3.15 (0.29)	5.57 (0.52)
TWT30111	4.01 (0.37)	6.61 (0.61)
TWT3021	4.44 (0.41)	7.14 (0.66)
TWT3023	4.87 (0.45)	7.66 (0.71)
TWT3027	5.73 (0.53)	8.70 (0.81)
TWT3031	7.02 (0.65)	10.27 (0.95)
TWT3410	1.30 (0.12)	3.47 (0.32)
TWT3415	3.07 (0.29)	5.58 (0.52)
TWT3417	3.56 (0.33)	6.16 (0.57)
TWT34111	4.53 (0.42)	7.32 (0.68)
TWT3421	5.02 (0.47)	7.89 (0.73)
TWT3423	5.50 (0.51)	8.47 (0.79)
TWT3427	6.47 (0.60)	9.63 (0.90)
TWT3431	7.93 (0.74)	11.36 (1.06)
TWT3810	1.45 (0.14)	3.80 (0.35)
TWT3815	3.42 (0.32)	6.12 (0.57)
TWT3817	3.97 (0.37)	6.75 (0.63)
TWT38111	5.05 (0.47)	8.02 (0.75)
TWT3821	5.59 (0.52)	8.65 (0.80)
TWT3823	6.13 (0.57)	9.29 (0.86)
TWT3827	7.21 (0.67)	10.55 (0.98)
TWT3831	8.84 (0.82)	12.46 (1.16)

• Dimensions in parentheses are in square meters.

## Tilt-Wash Picture Window Area Specifications

Window Number	Glass Area Sq. Ft./ (m <sup>2</sup> )	Overall Window Area Sq. Ft./ (m <sup>2</sup> )
DHP10310	2.03 (0.19)	4.07 (0.38)
DHP1042	2.22 (0.21)	4.41 (0.41)
DHP1046	2.42 (0.23)	4.74 (0.44)
DHP10410	2.61 (0.24)	5.07 (0.47)
DHP1052	2.81 (0.26)	5.41 (0.50)
DHP1056	3.01 (0.28)	5.74 (0.53)
DHP10510	3.20 (0.30)	6.07 (0.56)
DHP1062	3.40 (0.32)	6.41 (0.60)
DHP30310	9.38 (0.87)	12.77 (1.19)
DHP3042	10.29 (0.96)	13.82 (1.28)
DHP3046	11.19 (1.04)	14.86 (1.38)
DHP30410	12.10 (1.12)	15.91 (1.48)
DHP3052	13.01 (1.21)	16.95 (1.58)
DHP3056	13.92 (1.29)	18.00 (1.67)
DHP30510	14.83 (1.38)	19.04 (1.77)
DHP3062	15.73 (1.46)	20.09 (1.87)
DHP34310	10.53 (0.98)	14.13 (1.31)
DHP3442	11.54 (1.07)	15.28 (1.42)
DHP3446	12.56 (1.17)	16.44 (1.53)







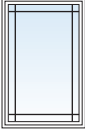
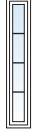
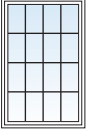

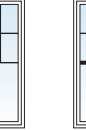





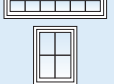
Window Number	Glass Area Sq. Ft./ (m <sup>2</sup> )	Overall Window Area Sq. Ft./ (m <sup>2</sup> )
DHP34410	13.58 (1.26)	17.60 (1.64)
DHP3452	14.60 (1.36)	18.75 (1.74)
DHP3456	15.62 (1.45)	19.91 (1.85)
DHP34510	16.64 (1.55)	21.07 (1.96)
DHP3462	17.66 (1.64)	22.22 (2.06)
DHP310310	12.16 (1.13)	16.06 (1.49)
DHP31042	13.33 (1.24)	17.37 (1.61)
DHP31046	14.51 (1.35)	18.69 (1.74)
DHP310410	15.69 (1.46)	20.00 (1.86)
DHP31052	16.87 (1.57)	21.32 (1.98)
DHP31056	18.04 (1.68)	22.63 (2.10)
DHP310510	19.22 (1.79)	23.94 (2.22)
DHP31062	20.40 (1.90)	25.26 (2.35)
DHP42310	13.30 (1.24)	17.42 (1.62)
DHP4246	15.88 (1.48)	20.27 (1.88)
DHP42410	17.17 (1.60)	21.69 (2.02)
DHP4252	18.46 (1.72)	23.12 (2.15)
DHP4256	19.75 (1.84)	24.54 (2.28)
DHP42510	21.03 (1.95)	25.97 (2.41)

Window Number	Glass Area Sq. Ft./ (m <sup>2</sup> )	Overall Window Area Sq. Ft./ (m <sup>2</sup> )
DHP4262	22.32 (2.07)	27.39 (2.55)
DHP410310	15.60 (1.45)	20.13 (1.87)
DHP41042	17.11 (1.59)	21.78 (2.02)
DHP41046	18.62 (1.73)	23.43 (2.18)
DHP410410	20.13 (1.87)	25.07 (2.33)
DHP41052	21.64 (2.01)	26.72 (2.48)
DHP41056	23.15 (2.15)	28.37 (2.64)
DHP410510	24.66 (2.29)	30.02 (2.79)
DHP41062	26.17 (2.43)	31.66 (2.94)
DHP56310	17.89 (1.66)	22.85 (2.12)
DHP5642	19.63 (1.82)	24.72 (2.30)
DHP5646	21.36 (1.98)	26.59 (2.47)
DHP56410	23.09 (2.15)	28.46 (2.64)
DHP5652	24.83 (2.31)	30.33 (2.82)
DHP5656	26.56 (2.47)	32.20 (2.99)
DHP56510	28.29 (2.63)	34.07 (3.17)
DHP5662	30.02 (2.79)	35.93 (3.34)

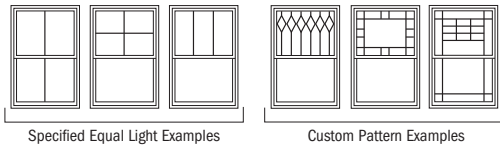
• Dimensions in parentheses are in square meters.



**Grille Patterns**

	Prairie A	6-Light Prairie	Colonial										
<b>Tilt-Wash Double-Hung</b>	 Equal Sash	 Cottage Sash	 Equal Sash	 Cottage Sash	 Equal Sash	 Cottage Sash							
	Prairie A	Colonial	Modified* Colonial	Modified* Colonial SCR (Simulated Check Rail)	Tall Fractional	Tall Fractional SCR (Simulated Check Rail)	Short Fractional	Short Fractional SCR (Simulated Check Rail)	Victorian				
<b>Tilt-Wash Picture</b>													
<b>Tilt-Wash Transom</b>													

• Andersen® Finelight™ grilles available in 3/4" (19) profile only.  
\*Location from top of window to bottom of divided light pattern is available at 8" (203), 10" (254), 12" (305), center and custom dimensions.



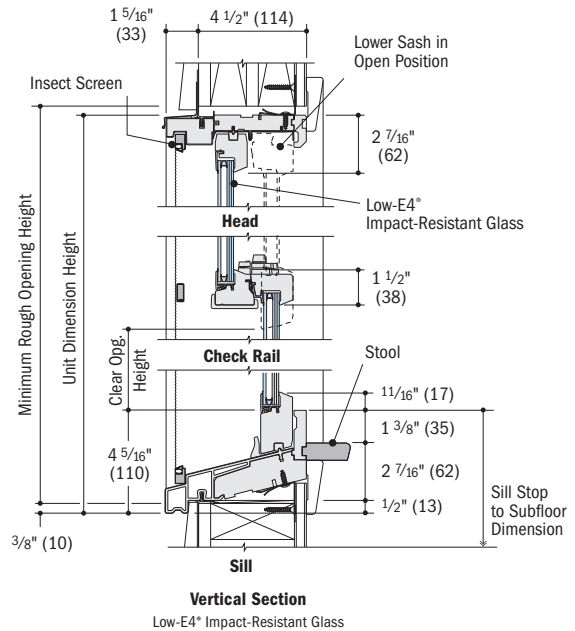
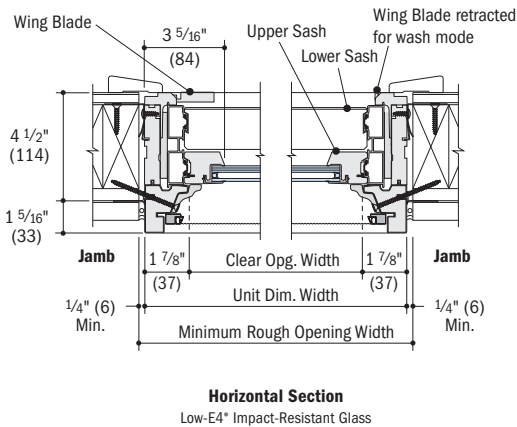
**Number of lights and overall pattern varies with window size.**

**Patterns shown may not be available for all sizes.**

Specified equal light and custom patterns are also available. Some restrictions apply. For more information on divided light see page 147.

**Tilt-Wash Double-Hung Window Details**

Scale 1 1/2" (38) = 1'-0" (305) – 1:8

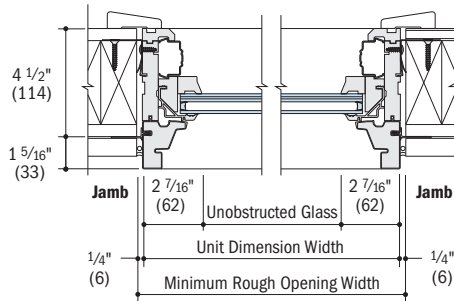


- Light-colored areas are parts included with window. Dark-colored areas are additional Andersen® parts required to complete window assembly as shown.
- Dimensions in parentheses are in millimeters.
- Rough openings may need to be increased to allow for use of building wraps, flashing, sill panning, brackets, fasteners or other items. See installation information on page 217.
- Details are for illustration only and are not intended to represent product installation methods or materials. Refer to product installation guides at andersenwindows.com.

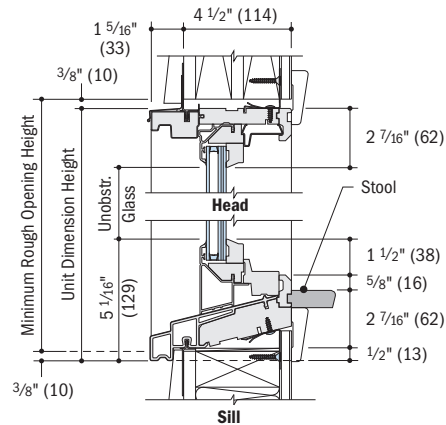
400 Series  
Tilt-Wash  
Double-Hung Windows

## Tilt-Wash Picture Window Details

Scale 1 1/2" (38) = 1'-0" (305) – 1:8



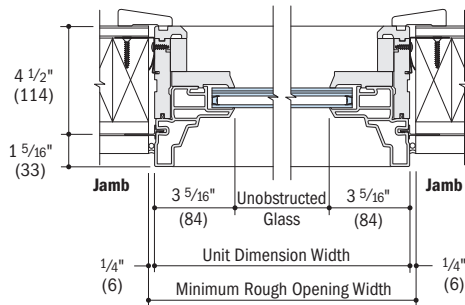
**Horizontal Section**  
Low-E4\* Impact-Resistant Glass



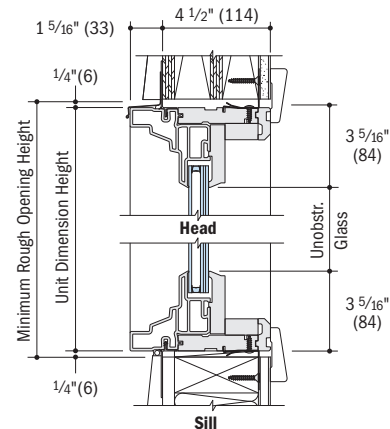
**Vertical Section**  
Low-E4\* Impact-Resistant Glass

## Tilt-Wash Transom Window Details

Scale 1 1/2" (38) = 1'-0" (305) – 1:8



**Horizontal Section**  
Low-E4\* Impact-Resistant Glass



**Vertical Section**  
Low-E4\* Impact-Resistant Glass

## Vertical (ribbon) Joining Details

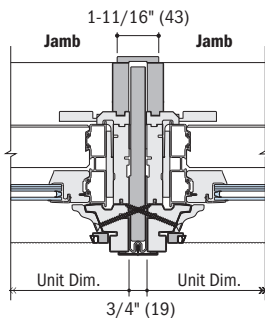
Scale 1 1/2" (38) = 1'-0" (305) – 1:8

### Overall Window Dimension Width

Sum of individual window widths plus 3/4" (19) for each join.

### Overall Minimum Rough Opening Width

Overall window dimension width plus 1/2" (13).



**Horizontal Section**  
LVL

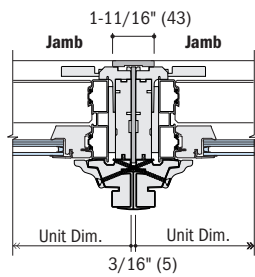
Tilt-Wash Double-Hung to Tilt-Wash Double-Hung

### Overall Window Dimension Width

Sum of individual window widths plus 3/16" (5) for each join.

### Overall Minimum Rough Opening Width

Overall window dimension width plus 1/2" (13).



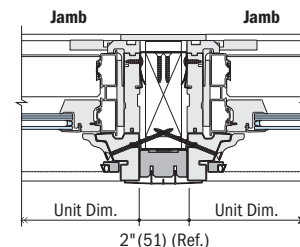
**Horizontal Section**  
Steel

Tilt-Wash Double-Hung to Tilt-Wash Double-Hung

## Separate Rough Openings Detail

Scale 1 1/2" (38) = 1'-0" (305) – 1:8

To meet structural requirements or to achieve a wider joined appearance, windows may be installed into separate rough openings having vertical support (by others) in combination with Andersen® exterior filler and exterior vinyl trim strip.



**Horizontal Section**  
Tilt-Wash Double-Hung and Tilt-Wash Double-Hung

- Light-colored areas are parts included with window. Dark-colored areas are additional Andersen® parts required to complete window assembly as shown.
- Dimensions in parentheses are in millimeters.
- **Rough openings may need to be increased to allow for use of building wraps, flashing, sill panning, brackets, fasteners or other items. See installation information on page 217.**
- Details are for illustration only and are not intended to represent product installation methods or materials. Refer to product installation guides at andersenwindows.com.
- Consult with an architect or structural engineer regarding minimum requirements for structural support members between adjacent rough openings.

For more joining information see the combination designs section starting on page 193.

# SPECIALTY WINDOWS

**CUSTOM SIZING!**  
in 1/8" (3) increments



400 Series  
Specialty Windows

## SECTION REFERENCE

**Half Circle, Quarter Circle,  
Elliptical, Eyebrow, Circle, Oval,  
Gothic, Octagon, Monumental  
Circle & Quarter Circle**

Table of Sizes.....	182-184
Specifications .....	182-183
Grille Patterns .....	185
Window Details .....	185

**Custom Arch** ..... 187

**Arch, Springline™ &  
Springline™ Flanker**

Table of Sizes.....	186-191
Specifications .....	189
Grille Patterns .....	190
Window Details .....	191

**Flexiframe®** ..... 192

Art Glass Options .....	149
Combination Designs .....	193-202
Performance Data.....	203-215
Warranty.....	221

Dimensions in parentheses are in millimeters.



Lighthouse icon indicates differences from standard unit.

## FEATURES

### Frame

**A** Wood frame members are treated with a water-repellent preservative for long-lasting\* protection and performance. Radii are made of laminated select hardwood, offering improved strength and appearance.

**B** The lineal sections of the jamb and sill on Andersen® Flexiframe®, custom arch, arch and enhancement windows are covered with a low-maintenance, fiberglass-reinforced composite. The arched head members and Springline™ units are covered with stretch-formed aluminum.

**C** The vinyl flange on Flexiframe®, custom arch, arch, Springline™ and enhancement units extends 1 ¼" (32) around the entire perimeter of the unit. It helps seal the unit to the structure.

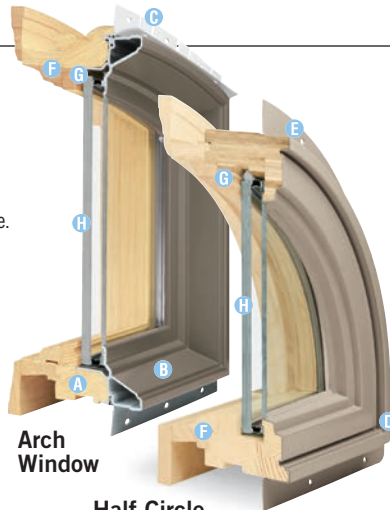
**D** Andersen® half circle, quarter round, circle and oval windows are covered with a rigid vinyl cladding. Low-maintenance exterior cladding provides long-lasting\* beauty.

**E** Rigid vinyl cladding on the Andersen half circle, quarter round, circle and oval window frames forms a full-perimeter flange for sealing the unit to the structure. It also helps maintain an attractive appearance while minimizing maintenance.

**F** Inside trim stop is made of unfinished pine. Arched trim stops are made with quality, full-length, select hardwood laminations. Units are shipped with the trim stops tacked on, so removal is easy — expediting finishing and joining procedures.

**G** Unfinished interior wood glazing stops help secure the glass in place. Arched glazing stops are made with full-length select hardwood laminations.

Interior wood stops are secured to frame using 1 ½" (38) 16-gauge crown staples instead of nails.



**Arch Window**

**Half Circle Window**

### Glass

**H** Consult local building codes for glass most suitable to your area. High-performance glass options include:

- Low-E4® impact-resistant glass\*\*
- Low-E4 SmartSun™ impact-resistant glass\*\*
- Low-E4 Sun impact-resistant glass\*\*
- Low-E4 tempered impact-resistant glass options available
- Impact-resistant Monolithic Clear glass†
- Impact-resistant Monolithic Gray glass†

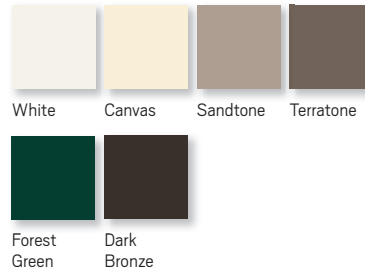
A removable translucent film helps shield the glass from damage during delivery and construction and simplifies finishing at the jobsite.

### Installation System

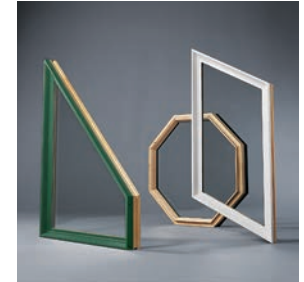
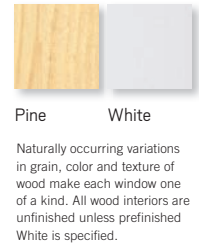
The installation system includes 1 ½" (38) by 3" (76) stainless steel installation clips for additional reinforcement. The installation clips are screwed to the frame and fastened to the rough opening for secure installation. Optional 6" (152) clips are available for use with factory-applied or preapplied extension jambs. Springline™ units are fastened through jambs.



## EXTERIOR



## INTERIOR



**Flexiframe® Window**



**Springline™ Window**



**Circle/Oval Window**

\*Visit [andersenwindows.com/warranty](http://andersenwindows.com/warranty) or contact your Andersen supplier for details on the 400 Series with Stormwatch® protection and impact-resistant glass Limited Warranty.

\*\*On units up to 50 sq. ft.

†On units up to 30 sq. ft.

Dimensions in parentheses are in millimeters.

Printing limitations prevent exact duplication of colors and finishes. See your Andersen supplier for actual color and finish samples.

## ACCESSORIES

### Frame

#### Extension Jamb

Specify extension jamba when ordering.

Standard unit jamb depth is 2 7/8" (73), except for double-hung half circle units, which are 4 1/2" (114).

Pine extension jamba are available for the following wall thicknesses:

- 4 1/16" (116)
- 5 1/4" (133)
- 6 3/16" (167)
- 7 1/8" (181)

Some sizes may be pine veneer.

Springline™ window extension jamba and transition pieces are applied when ordered with the unit (key component block is also applied to units with a 48" (1219) radius).

#### Extension Jamb Alignment for Joined Combinations

When joining 400 Series arch, Springline or Flexiframe® over casement or when joining arch, Springline or Flexiframe alongside awning, use Method A or Method B for extension jamb alignment. See page 190 for details.

#### Method A: Individually Framed

Specify Andersen® auxiliary extension jamba. Available for the following wall thicknesses:

- 4 1/16" (116)
- 5 1/4" (133)
- 6 3/16" (167)
- 7 1/8" (181)

#### Method B: Perimeter Framed

Specify 1/4" (6) filler in pine or white.

Requires modification of extension jamba.

#### Interior Arch Casing

Available in Colonial or Ranch styles. Two transition blocks come with each arch casing. Arch window casings come with plinth blocks. The 16' (4880) casing for custom arch comes with two plinth blocks and a key block. For easy integration and consistency, casing dimensions are consistent with Wood Moulding and Millwork Producers Association specifications.



2 1/4" (57) Colonial style in pine, maple or oak. WM366.



2 1/2" (64) Colonial style in pine, maple or oak. WM351.



3 1/2" (89) Colonial style in pine, maple or oak. WM444.



2 1/4" (57) Ranch style in pine, maple or oak. WM324.

2 1/2" (64) Ranch style in pine, maple or oak. WM315.

#### Plinth Blocks

For enhancing casing transitions. Decorated with a radial sunburst, or use the reverse side flush face.



For arch windows: 2 7/8" (73) x 4" (102) size for use with 2 1/4" (57) and 2 1/2" (64) casing, 3 7/8" (98) x 5 1/4" (133) size for use with 3 1/2" (89) casing.



For half circle, circle and oval windows: 2 7/8" (73) size for use with 2 1/4" (57) and 2 1/2" (64) casing, 3 7/8" (98) size for use with 3 1/2" (89) casing.

#### Key Block



Excellent for creating unique trim designs or accents at arch casing transitions. A key block is an option for Andersen circle and oval windows. Not available on units with Monolithic glass.

#### Transition Piece



Two transition pieces come with the interior arch casing extension jamba, providing a beautiful accent for circle and oval windows.

### Glass

#### Andersen® Art Glass

Andersen art glass panels come in 11 original patterns, including four Frank Lloyd Wright® Series designs. See page 149 for details on Andersen art glass. Visit [andersenwindows.com/artglass](http://andersenwindows.com/artglass) for details and pattern information.

#### Grilles

Grilles are available in a variety of configurations and widths. For specialty grille patterns see pages 185 and 190.

#### Exterior Trim

Select specialty windows are now available with Andersen Exterior Trim. Contact your Andersen supplier for details.

#### CAUTION:

- Painting and staining may cause damage to rigid vinyl.
- 400 Series windows in Terratone color may be painted any color lighter than Terratone color using quality oil-base or latex paint. Submit color samples to Andersen for approval when painting Terratone any color darker than Terratone.
- Do not paint 400 Series windows with White, Canvas, Sandtone, Forest Green or Dark Bronze exterior colors.
- Creosote-based stains should not come in contact with Andersen products.
- Do not paint weatherstripping.
- Abrasive cleaners or solutions containing corrosive solvents should not be used on Andersen products.
- For vinyl painting instructions and preparation, contact your Andersen supplier.
- Andersen does not warrant the adhesion or performance of homeowner-applied paint over vinyl or other factory-coated surfaces.



## Table of Half Circle and Eyebrow Window Sizes – Double-Hung

Scale 1/8" (3) = 1'-0" (305) – 1:96

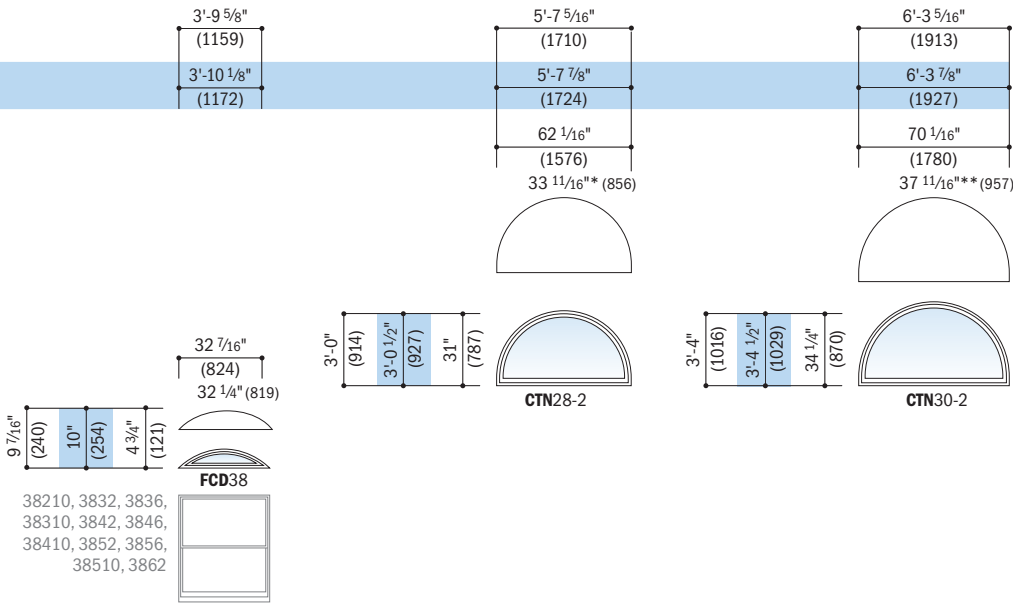
Window Dimension	2'-1 5/8" (651)	2'-5 5/8" (752)	2'-9 5/8" (854)	3'-1 5/8" (956)	3'-5 5/8" (1057)	
<b>Minimum Rough Opening</b>	2'-2 1/8" (664)	2'-6 1/8" (765)	2'-10 1/8" (867)	3'-2 1/8" (968)	3'-6 1/8" (1070)	
Unobstructed Glass (Half Circle)	20 3/8" (518)	24 3/8" (619)	28 3/8" (721)	32 3/8" (822)	36 3/8" (924)	
Radius	12 13/16" (325)	14 13/16" (376)	16 13/16" (427)	18 13/16" (478)	20 13/16" (529)	
Window Models	<p><b>CTN20</b></p>	<p><b>CTN24</b></p>	<p><b>CTN28</b></p>	<p><b>CTN30</b></p>	<p><b>CTN34</b></p>	
Window Models	<p><b>FCD28</b></p>	<p><b>FCD30</b></p>	<p><b>FCD34</b></p>			
Product Numbers	20210, 2032, 2036, 20310, 2042, 2046, 20410, 2052, 2056, 20510, 2062	24210, 2432, 2436, 24310, 2442, 2446, 24410, 2452, 2456, 24510, 2462	28210, 2832, 2836, 28310, 2842, 2846, 28410, 2852, 2856, 28510, 2862	30210, 3032, 3036, 30310, 3042, 3046, 30410, 3052, 3056, 30510, 3062	34210, 3432, 3436, 34310, 3442, 3446, 34410, 3452, 3456, 34510, 3462	

## Table of Half Circle, Quarter Circle and Eyebrow Window Sizes – Casement/Awning

Scale 1/8" (3) = 1'-0" (305) – 1:96

Window Dimension	2'-0 1/8" (613)	2'-4 3/8" (721)	2'-7 1/2" (800)	2'-11 15/16" (913)	4'-0" (1219)	
<b>Minimum Rough Opening</b>	2'-0 5/8" (625)	2'-4 7/8" (733)	2'-8" (813)	3'-0 1/2" (927)	4'-0 1/2" (1232)	
Unobstructed Glass (Half & Quarter Circle)	19 1/2" (495)	23 3/4" (603)	26 7/8" (683)	31 5/16" (795)	43 3/8" (1102)	
Radius	12 1/16" (306)	14 3/16" (360)	15 3/4" (400)	18"* (457)	24" (610)	
Window Models	<p><b>CTC1</b></p>	<p><b>CTCW1</b></p>	<p><b>CTCX1</b></p>	<p><b>CTCXW1</b></p>	<p><b>CTC2</b></p>	
Radius	24" (610)	28 1/4" (718)	31 3/8" (797)	35 13/16" (910)		
Window Models	<p><b>CTQC1</b></p>	<p><b>CTQCW1</b></p>	<p><b>CTQCX1</b></p>	<p><b>CTQA3</b></p>		
Product Numbers	C12, C125, C13, C135, C14, C145, C15, C155, C16, CTR2010, AR21, AN21, A21, AW21, A212, A213	CW12, CW125, CW13, CW135, CW14, CW145, CW15, CW155, CW16, CTR2410, AR251, AN251, A251, AW251, AX251	CX125, CX13, CX135, CX14, CX145, CX15, CX155, CX16, CTR2810, AR281, AN281, A281, AW281, AX281	Unobstructed Glass (Eyebrow) 28 15/16" (735) Radius 18 3/4" (476)	<p><b>FCCXW3</b></p>	<p><b>FCC2</b></p>
Product Numbers				CXW13, CXW135, CXW14, CXW145, P3030, P3035, P3040, P3045, P3050, P3055, P3060, AR31, AN31, A31, AW31, AX31, A312, A313, CTR3010, PTR3010	CTR4010, CTR22010, C22, C225, C23, C235, C24, C245, C25, C26, C255, AR41, AN41, A41, AW41, AX41, AR221, AN221, A221, AW221, P4030, P4035, P4040, P4045, P4050, P4055, P4060, PTR4010	

\*"Window Dimension" always refers to outside frame to frame dimension.  
 • "Minimum Rough Opening" dimensions may need to be increased to allow for use of building wraps, flashing, sill panning, brackets, fasteners or other items. See page 217 for more details.  
 • Dimensions in parentheses are in millimeters.  
 \*Actual radius of 17 31/32" (456).



Compatible double-hung window sizes are shown below specialty windows.

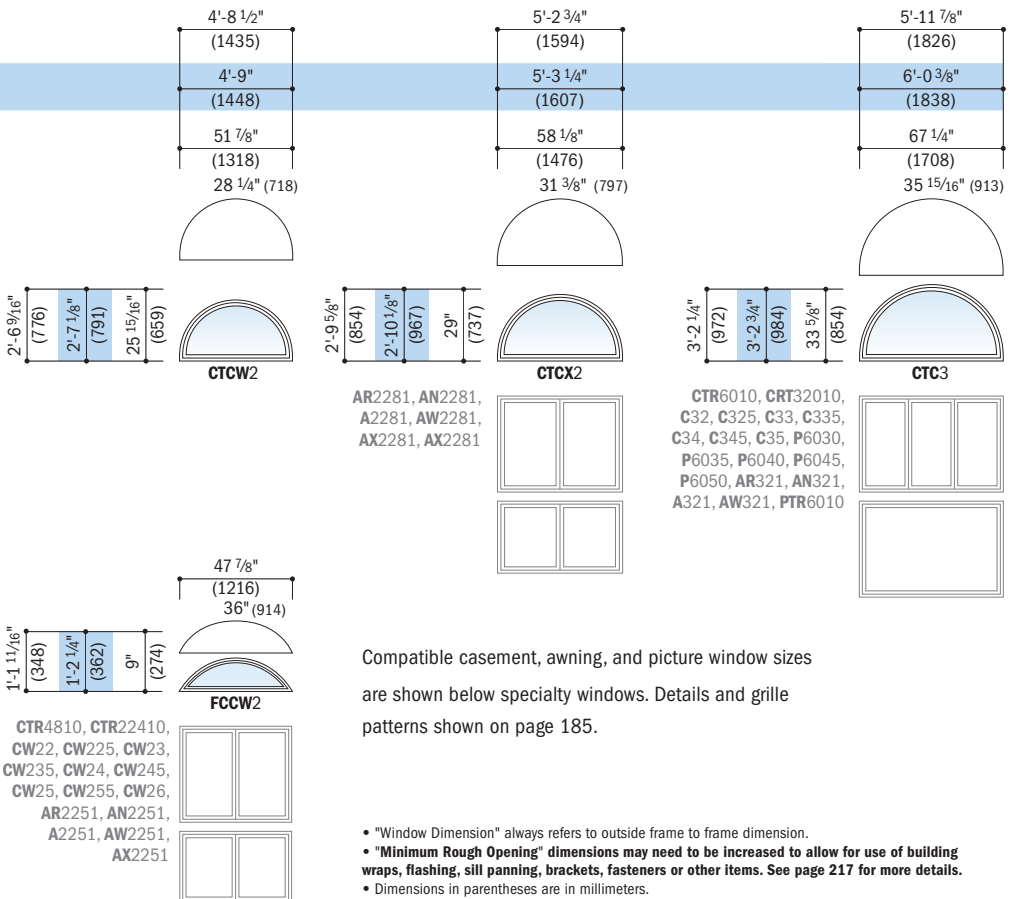
Details and grille patterns shown on page 185.

### Half Circle – Double-Hung Window Area Specifications

Window Number	Glass Area Sq. Ft./ (m <sup>2</sup> )
<b>CTN20</b>	1.1 (0.10)
<b>CTN24</b>	1.6 (0.15)
<b>CTN28</b>	2.2 (0.20)
<b>CTN30</b>	2.8 (0.26)
<b>CTN34</b>	3.6 (0.34)
<b>CTN28-2</b>	10.5 (0.98)
<b>CTN30-2</b>	13.4 (1.25)

### Eyebrow Window Area Specifications

Window Number	Glass Area Sq. Ft./ (m <sup>2</sup> )
<b>FCD28</b>	0.69 (0.06)
<b>FCD30</b>	0.54 (0.05)
<b>FCD34</b>	1.15 (0.11)
<b>FCD38</b>	0.84 (0.08)
<b>FCCXW3</b>	1.24 (0.12)
<b>FCC2</b>	1.02 (0.09)
<b>FCCW2</b>	2.78 (0.26)



Compatible casement, awning, and picture window sizes are shown below specialty windows. Details and grille patterns shown on page 185.

- "Window Dimension" always refers to outside frame to frame dimension.
- "Minimum Rough Opening" dimensions may need to be increased to allow for use of building wraps, flashing, sill panning, brackets, fasteners or other items. See page 217 for more details.
- Dimensions in parentheses are in millimeters.
- \*Actual radius of 33 21/32" (855).
- \*\*Actual radius of 37 21/32" (956).

### Half Circle – Casement/Awning Window Area Specifications

Window Number	Glass Area Sq. Ft./ (m <sup>2</sup> )
<b>CTC1</b>	1.0 (0.09)
<b>CTCW1</b>	1.5 (0.14)
<b>CTCXW1</b>	2.7 (0.25)
<b>CTC2</b>	5.1 (0.47)
<b>CTCW2</b>	7.3 (0.68)
<b>CTC3</b>	12.3 (1.14)
<b>CTCX1</b>	2.0 (0.19)
<b>CTCX2</b>	9.3 (0.86)

### Quarter Circle – Casement/Awning Window Area Specifications

Window Number	Glass Area Sq. Ft./ (m <sup>2</sup> )
<b>CTQC1</b>	1.9 (0.18)
<b>CTQCW1</b>	3.0 (0.28)
<b>CTQA3</b>	5.2 (0.48)
<b>CTQCX1</b>	3.8 (0.35)

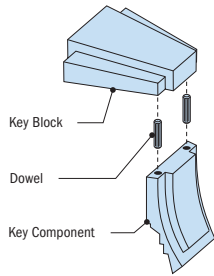
• Dimensions in parentheses are in square meters.

400 Series  
Specialty Windows

## Table of Circle Window Sizes

Scale 1/8" (3) = 1'-0" (305) – 1:96

Window Dimension	2'-0 1/8" (613)	2'-4 3/8" (721)	2'-11 15/16" (913)
<b>Minimum Rough Opening</b>	2'-0 5/8" (625)	2'-4 7/8" (733)	3'-0 1/2" (927)
Unobstructed Glass	19 3/4" (502)	24" (610)	31 9/16" (802)

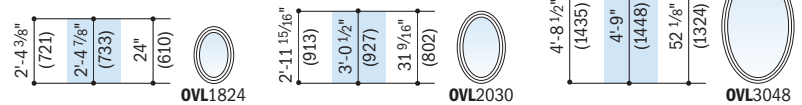


Typical Andersen® key block kit installation. Key block kit is not available for windows with Monolithic impact-resistant glass.

## Table of Oval Window Sizes

Scale 1/8" (3) = 1'-0" (305) – 1:96

Window Dimension	1'-7 3/4" (502)	2'-0" (610)	3'-0" (914)
<b>Minimum Rough Opening</b>	1'-8 1/4" (514)	2'-0 1/2" (622)	3'-0 1/2" (927)
Unobstructed Glass	15 3/8" (391)	19 3/8" (492)	31 3/8" (797)



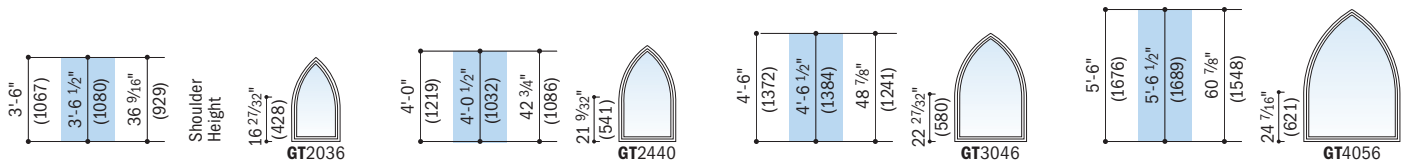
Oval windows can be installed either vertically or horizontally.

Details and grille patterns shown on page 185.

## Table of Gothic Window Sizes

Scale 1/8" (3) = 1'-0" (305) – 1:96

Window Dimension	2'-0 1/8" (613)	2'-4 3/8" (721)	2'-11 15/16" (913)	4'-0" (1219)
<b>Minimum Rough Opening</b>	2'-0 5/8" (625)	2'-4 7/8" (733)	3'-0 1/2" (927)	4'-0 1/2" (1232)
Unobstructed Glass	19 7/16" (495)	23 11/16" (602)	31 1/4" (794)	43 5/16" (110)
Radius	32 1/4" (819)	32 1/4" (819)	36" (914)	48" (1219)



## Table of Octagon Window Sizes

Scale 1/8" (3) = 1'-0" (305) – 1:96

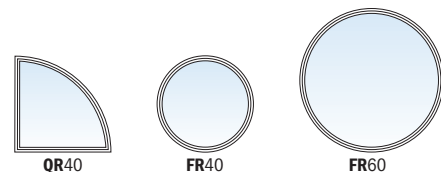
Window Dimension	2'-0" (610)	2'-4" (711)	3'-0" (914)
<b>Minimum Rough Opening</b>	2'-0 1/2" (622)	2'-4 1/2" (724)	3'-0 1/2" (927)
Unobstructed Glass	19 5/16" (491)	23 5/16" (592)	31 5/16" (795)



## Table of Monumental Quarter Circle & Circle Window Sizes

Scale 1/8" (3) = 1'-0" (305) – 1:96

Window Dimension	4'-0" (1219)	4'-0" (1219)	6'-0" (1829)
<b>Minimum Rough Opening</b>	4'-0 1/2" (1232)	4'-0 1/2" (1232)	6'-0 1/2" (1842)
Unobstructed Glass	43 1/4" (1099)	43 5/16" (1100)	67 5/16" (1710)
Radius	48" (1219)	24" (610)	36" (914)

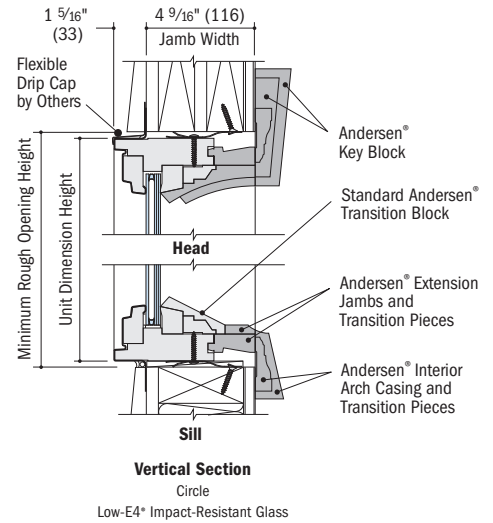
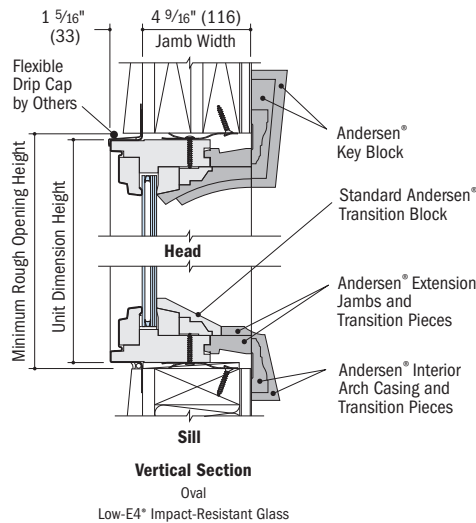
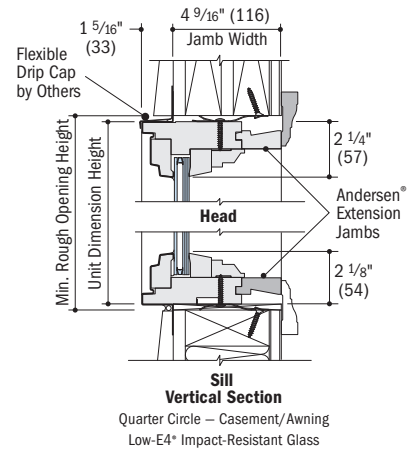
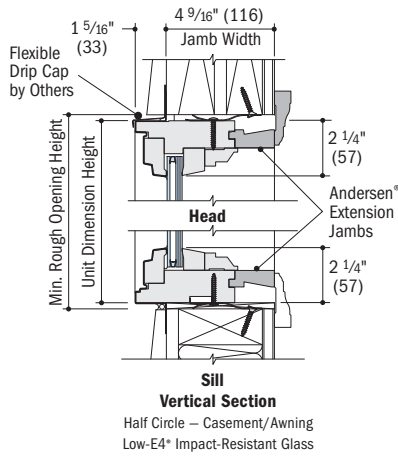
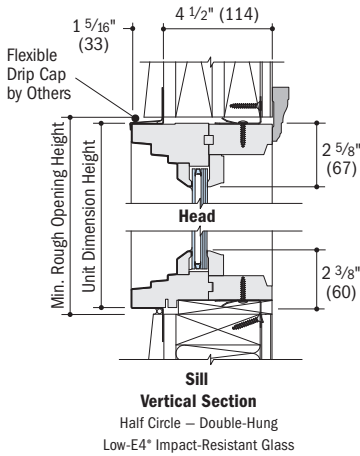


Details and grille patterns shown on page 185.

- "Window Dimension" always refers to outside frame to frame dimension.
- "Minimum Rough Opening" dimensions may need to be increased to allow for use of building wraps, flashing, sill panning, brackets, fasteners or other items. See page 217 for more details.
- Dimensions in parentheses are in millimeters.

**Specialty Window Details**

Scale 1 1/2" (38) = 1'-0" (305) – 1:8



- Light-colored areas are parts included with window. Dark-colored areas are additional Andersen® parts required to complete window assembly as shown.
- Dimensions in parentheses are in millimeters.
- **Rough openings may need to be increased to allow for use of building wraps, flashing, sill panning, brackets, fasteners or other items. See installation information on page 217.**
- Details are for illustration only and are not intended to represent product installation methods or materials. Refer to product installation guides at andersenwindows.com.

**Circle & Oval Window Area Specifications**

Window Number	Glass Area Sq. Ft./ (m²)
CIR20	2.1 (0.20)
CIR24	3.0 (0.28)
CIR30	5.2 (0.48)
OVL1824	1.9 (0.18)
OVL2030	3.2 (0.30)
OVL3048	8.7 (0.81)

**Gothic, Octagon, Monumental Quarter Circle & Monumental Circle Window Area Specifications**

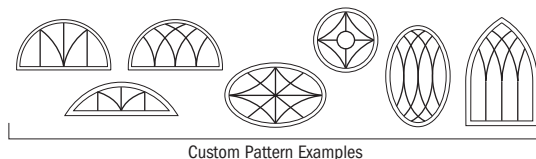
Window Number	Glass Area Sq. Ft./ (m²)
GT2036	4.01 (0.37)
GT2440	5.84 (0.54)
GT3046	8.78 (0.82)
GT4056	14.88 (1.38)
OC20	2.14 (0.20)
OC24	3.12 (0.29)
OC30	5.63 (0.52)
QR40	9.91 (0.92)
FR40	10.22 (0.95)
FR60	24.69 (2.29)

• Dimensions in parentheses are in square meters.

**Grille Patterns**

	Renaissance	Colonial	Renaissance	Sunburst
<b>Half Circle</b>				
<b>Quarter Circle</b>				
<b>Monumental Quarter Circle</b>				
<b>Monumental Circle</b>				

• Andersen® Finelight™ grilles available in 3/4" (19) profile only.



**Number of lights and overall pattern varies with window size. Patterns shown may not be available for all shapes in all sizes.**

Specialty window patterns may not align with picture windows patterns when horizontally joined.

Specified equal light and custom patterns are also available. For more information on divided light see page 147 or visit andersenwindows.com/grilles.

## Table of Arch Window Sizes

Scale 1/8" (3) = 1'-0" (305) – 1:96

Notes on the next page also apply to this page.

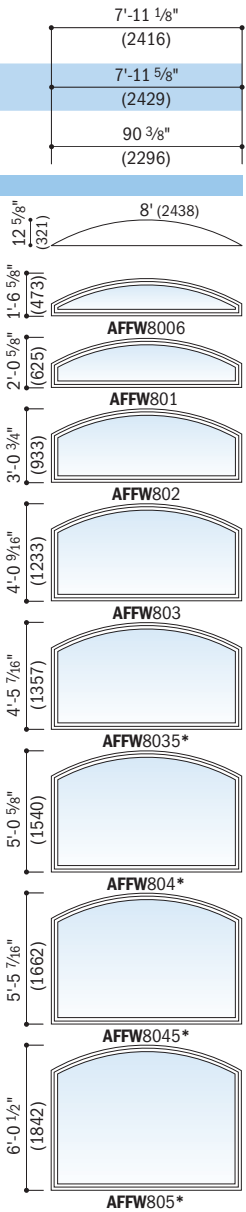
Window Width Dimension	2'-0 1/8" (613)	2'-4 3/8" (721)	2'-11 15/16" (913)	4'-0" (1219)	4'-8 1/2" (1435)	4'-11 1/4" (1505)	5'-11 1/4" (1810)
Minimum Rough Opening	2'-0 5/8" (625)	2'-4 7/8" (733)	3'-0 1/2" (927)	4'-0 1/2" (1232)	4'-9" (1448)	4'-11 3/4" (1518)	5'-11 3/4" (1822)
Unobstructed Glass	19 3/8" (492)	23 5/8" (600)	31 3/16" (792)	43 1/4" (1099)	51 3/4" (1314)	54 1/2" (1384)	66 1/2" (1689)

Minimum Rough Opening = window height + 1/2" (13)

Unobstructed Glass = window height - 4 3/4" (121)

CUSTOM SIZES AVAILABLE		CUSTOM SIZES AVAILABLE								
Window Height	Radius	Chord Height	Shoulder Height	2' (610)	2' (610)	3' (914)	4' (1219)	5' (1524)	5' (1524)	6' (1829)
6" (152)	3 1/4" (83)	9 1/4" (235)	1 1/4" (387)	AFC106	AFCW106	AFCP3006	AFC206	AFCW206	AFFW5006	AFFW6006
12" (305)	1'-3 1/4" (387)	10 2 1/32" (271)	1'-4 2 1/32" (423)	AFC11	AFCW11	AFCP301	AFC21	AFCW21	AFFW501	AFFW601
1'-0 1/8" (613)	2'-4 2 5/32" (731)	10 13/16" (275)	1'-4 13/16" (427)	AFC12	AFCW12	AFCP302	AFC22	AFCW22	AFFW502	AFFW602
2'-0 1/8" (613)	2'-3 3/8" (695)	2'-4 15/16" (735)	2'-4 9/16" (735)	AFC13	AFCW13	AFCP303	AFC23	AFCW23	AFFW503	AFFW603
2'-11 15/16" (913)	3'-3 3/8" (995)	3'-4 3/4" (1035)	3'-4 3/4" (1035)	AFC135	AFCW135	AFCP3035	AFC235	AFCW235	AFFW5035	AFFW6035
3'-4 13/16" (1037)	3'-8 1/16" (1119)	3'-9 5/8" (1159)	3'-9 5/8" (1159)	AFC14	AFCW14	AFCP304	AFC24	AFCW24	AFFW504	AFFW604
4'-0" (1219)	4'-3 1/4" (1302)	4'-4 13/16" (1341)	4'-4 13/16" (1341)	AFC145	AFCW145	AFCP3045	AFC245	AFCW245	AFFW5045	AFFW6045
4'-4 13/16" (1341)	4'-8 1/16" (1424)	4'-9 5/8" (1464)	4'-11 7/8" (1521)	AFC15	AFCW15	AFCP305	AFC25	AFCW25	AFFW505	AFFW605*
4'-11 7/8" (1521)	5'-3 1/8" (1603)	5'-4 17/32" (1639)	5'-4 17/32" (1639)	AFC155	AFCW155	AFCP3055	AFC255	AFCW255	AFFW5055*	AFFW6055*
5'-4 13/16" (1646)	5'-8 1/16" (1729)	5'-9 5/8" (1768)	5'-11 7/8" (1826)	AFC16	AFCW16	AFCP306	AFC26	AFCW26	AFFW506*	AFFW606*
5'-11 7/8" (1826)	6'-3 1/8" (1908)	6'-4 11/16" (1948)	6'-6 5/16" (1989)	AFC18	AFCW18	AFCP308	AFC28*	AFCW28*	AFFW508*	AFFW608*
8'-0 1/8" (2442)	8'-3 3/8" (2524)	8'-4 25/32" (2560)	8'-6 5/16" (2605)							



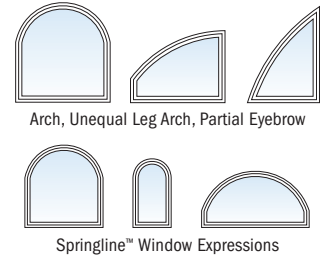


Custom-size windows are available in 1/8" (3) increments. For more information contact your Andersen supplier.

Details on page 191. Grille patterns shown on page 190.

**Custom Arch Windows**

Andersen offers even greater design flexibility with custom-dimensioned equal leg arches, unequal leg arches and partial eyebrow. Custom arch windows can be designed using one of 9 standard radii, further expanding the existing line of 85 standard sizes of Andersen arch windows. Custom arch shapes and sizes are constructed to be used in combination with other Andersen® windows.



**Design Criteria**

Listed below are some factors that must be considered when deciding on a custom arch size and shape. For specific design criteria, joining guidelines and order information, contact your Andersen supplier.

**Do all calculations in inches to 3 decimal places**

**Order extension jambs along with window for correct sizing**

**All units are stationary**

**MAXIMUM GLASS AREA**

- 50 sq. ft. or 4.65 m<sup>2</sup> glass dimension for Low-E4\* Tempered Impact-Resistant Glass
- 30 sq. ft. or 2.79 m<sup>2</sup> glass dimension for Monolithic Impact-Resistant Glass

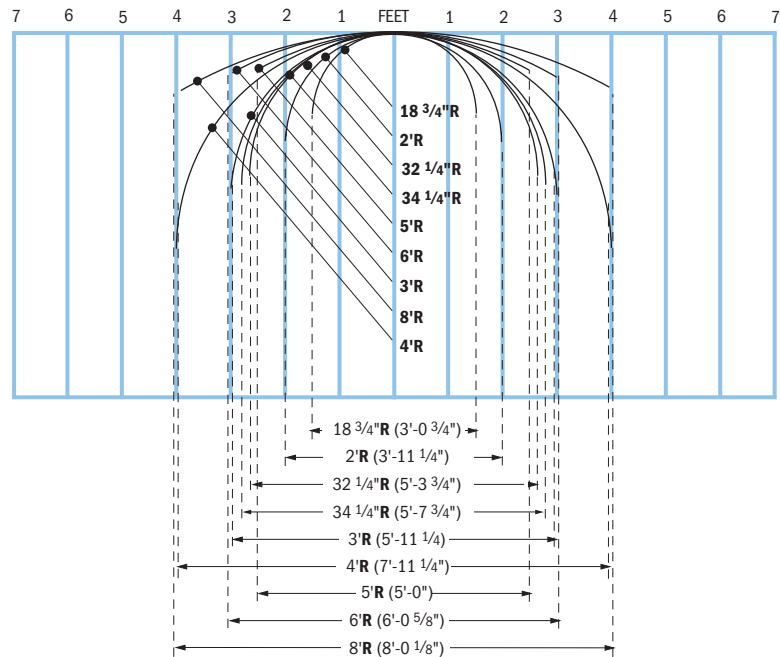
**9 standard radii:** 18 3/4" (476), 2' (610), 32 1/4" (819), 34 1/4" (870), 3' (914), 4' (1219), 5' (1524), 6' (1829), 8' (2438)

Maximum single window width is based on available radius piece length, contact supplier for specific information.

- **Maximum equal leg width:** 36 3/4" (933) for 18 3/4" (476) radius, below
- **Maximum unequal leg width:** 18 3/4" (476) for 18 3/4" (476) radius
- **Maximum partial eyebrow width:** 18 3/4" (476) for 18 3/4" (476) radius

**Only one dimension, height or width, can exceed 7'-0" (2134)**

**No leg dimension less than 9" (229)**



**Standard Radii for Custom Arch  
Maximum Width for Equal Leg Arch**

• "Window Dimension" always refers to outside frame to frame dimension.  
• "Minimum Rough Opening" dimensions may need to be increased to allow for use of building wraps, flashing, sill panning, brackets, fasteners or other items. See installation information on page 217.  
• Dimensions in parentheses are in millimeters.  
\*Available only with Low-E4\* impact-resistant glass.

**Table of Springline™ Window Sizes**

Notes on the next page also apply to this page. Springline™ sizes on pages 188-190.

Scale 1/8" (3) = 1'-0" (305) – 1:96

Window Width Dimension	3'-1 1/2" (953)	4'-0" (1219)	5'-4 1/2" (1638)	5'-8 1/2" (1740)	5'-11 1/4" (1810)	6'-0" (1829)
<b>Minimum Rough Opening</b>	3'-2" (965)	4'-0 1/2" (1232)	5'-5" (1651)	5'-9" (1753)	5'-11 3/4" (1822)	6'-0 1/2" (1842)
Unobstructed Glass	32 3/4" (832)	43 1/4" (1099)	59 3/4" (1518)	63 3/4" (1619)	66 1/2" (1689)	67 1/4" (1708)

**CUSTOM SIZES AVAILABLE**

Window height shown in table

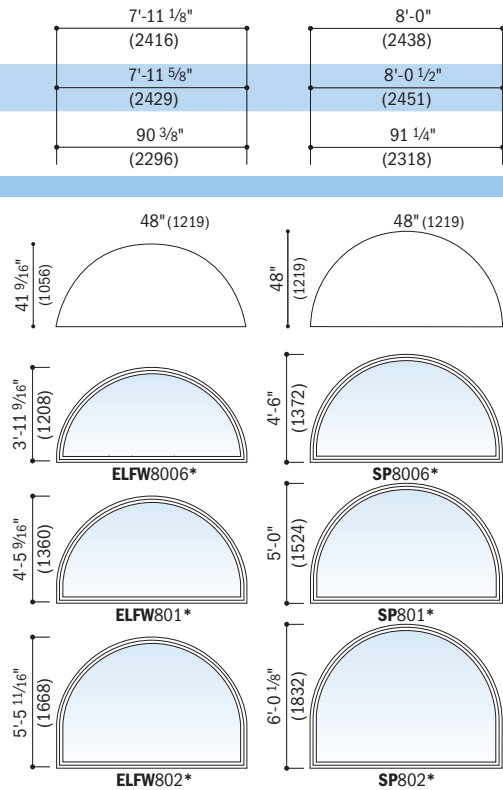
Radius	18 3/4" (476)	24" (610)	32 1/4" (819)	34 1/4" (870)	36" (914)	36" (914)
Chord Height	18 3/4" (476)	24" (610)	32 1/4" (819)	34 1/4" (870)	30 13/16" (783)	36" (914)
Shoulder Height	6" (152)	2'-0 3/4" (629)	3'-2 1/4" (972)	3'-4 1/4" (1022)	3'-0 13/16" (935)	3'-6" (1067)
12" (305)	2'-6 3/4" (781)	3'-8 1/4" (1124)	3'-10 1/4" (1175)	3'-6 13/16" (1087)	4'-0" (1219)	4'-0" (1219)
2'-0 1/8" (613)	3'-6 7/8" (1089)	4'-0 1/8" (1222)	4'-8 3/8" (1432)	4'-10 3/8" (1483)	4'-6 15/16" (1395)	5'-0 1/8" (1527)
2'-11 15/16" (913)	4'-6 11/16" (1389)	4'-11 15/16" (1522)	5'-8 3/16" (1732)	5'-10 3/16" (1783)	5'-11 15/16" (1827)	5'-11 15/16" (1827)
3'-4 13/16" (1037)	4'-11 9/16" (1513)	5'-4 13/16" (1646)	6'-1 1/16" (1856)	6'-3 1/16" (1907)	6'-4 13/16" (1951)	6'-4 13/16" (1951)
4'-0" (1219)	5'-6 3/4" (1695)	6'-0" (1829)	6'-8 1/4" (2038)	6'-10 1/4" (2089)	7'-0" (2134)	7'-0" (2134)
4'-4 13/16" (1341)	5'-11 9/16" (1818)	6'-4 13/16" (1951)	7'-1 1/16" (2161)	7'-3 1/16" (2211)	7'-4 13/16" (2256)	7'-4 13/16" (2256)
4'-11 7/8" (1521)	6'-6 5/8" (1997)	6'-11 7/8" (2130)	7'-8 1/8" (2340)	7'-10 1/8" (2391)	7'-11 7/8" (2435)	7'-11 7/8" (2435)

**Minimum Rough Opening = window height + 1/2" (13)**

Unobstructed Glass = window height - 4 3/4" (121)

**CUSTOM SIZES AVAILABLE**

**Springline™ Window Area Specifications**



Custom-size windows are available in 1/8" (3) increments. For more information contact your Andersen supplier.

Extension jambs are available factory-applied when ordered at the same time as Springline™ windows.

Details on page 191. Grille patterns shown on page 190.

- "Window Dimension" always refers to outside frame to frame dimension.
- "Minimum Rough Opening" dimensions may need to be increased to allow for use of building wraps, flashing, sill panning, brackets, fasteners or other items. See installation information on page 217.
- Dimensions in parentheses are in millimeters.
- \*Available only with Low-E4\* impact-resistant glass.

*continued on next page*

Window Number	Glass Area Sq. Ft./ (m <sup>2</sup> )	Window Number	Glass Area Sq. Ft./ (m <sup>2</sup> )
SE3106	3.74 (0.35)	SE5855	38.70 (3.60)
SE311	5.10 (0.47)	SE586	41.82 (3.89)
SE312	7.86 (0.73)	SE6006	14.01 (1.30)
SE313	10.54 (0.98)	SE601	16.81 (1.56)
SE3135	11.65 (1.08)	SE602	22.47 (2.09)
SE314	13.28 (1.23)	SE603	27.98 (2.60)
SE3145	14.38 (1.34)	SE6035	30.26 (2.81)
SE315	15.98 (1.49)	SE604	33.61 (3.12)
SE3155	17.10 (1.59)	SE6045	35.86 (3.33)
SE316	18.71 (1.74)	SE605	39.16 (3.64)
SE5406	11.22 (1.04)	SE6055	41.46 (3.85)
SE541	13.71 (1.27)	SP402	11.62 (1.08)
SE542	18.74 (1.74)	SP403	15.16 (1.41)
SE543	23.64 (2.20)	SP4035	16.63 (1.55)
SE5435	25.66 (2.38)	SP404	18.78 (1.75)
SE544	28.64 (2.66)	SP4045	20.23 (1.88)
SE5445	30.64 (2.85)	SP405	22.35 (2.08)
SE545	33.57 (3.12)	SP4055	23.83 (2.21)
SE5455	35.61 (3.31)	SP406	25.95 (2.41)
SE546	38.54 (3.58)	SP8006	24.98 (2.32)
SE5806	12.67 (1.18)	SP801	28.79 (2.67)
SE581	15.33 (1.42)	SP802	36.46 (3.39)
SE582	20.69 (1.92)	ELFW6006	11.58 (1.08)
SE583	25.92 (2.41)	ELFW601	14.35 (1.33)
SE5835	28.08 (2.61)	ELFW602	19.95 (1.85)
SE584	31.26 (2.90)	ELFW8006	20.88 (1.94)
SE5845	33.39 (3.10)	ELFW801	24.64 (2.29)
SE585	36.51 (3.39)	ELFW802	32.25 (3.00)

• Dimensions in parentheses are in square meters.

400 Series  
Specialty Windows

**Arch Window Area Specifications**

Window Number	Glass Area Sq. Ft./ (m <sup>2</sup> )	Window Number	Glass Area Sq. Ft./ (m <sup>2</sup> )	Window Number	Glass Area Sq. Ft./ (m <sup>2</sup> )	Window Number	Glass Area Sq. Ft./ (m <sup>2</sup> )
AFC106	0.7 (0.07)	AFCP3006	1.4 (0.13)	AFCW206	2.8 (0.26)	AFFW6006	4.4 (0.41)
AFC11	1.6 (0.15)	AFCP301	2.8 (0.26)	AFCW21	5.1 (0.47)	AFFW601	7.2 (0.67)
AFC12	3.4 (0.32)	AFCP302	5.5 (0.51)	AFCW22	9.5 (0.88)	AFFW602	12.9 (1.20)
AFC13	5.1 (0.47)	AFCP303	8.2 (0.76)	AFCW23	13.9 (1.29)	AFFW603	18.5 (1.72)
AFC135	5.8 (0.54)	AFCP3035	9.3 (0.86)	AFCW235	15.7 (1.46)	AFFW6035	20.8 (1.93)
AFC14	6.8 (0.63)	AFCP304	10.9 (1.01)	AFCW24	18.3 (1.70)	AFFW604	24.2 (2.25)
AFC145	7.5 (0.70)	AFCP3045	12.0 (1.12)	AFCW245	20.1 (1.87)	AFFW6045	26.5 (2.46)
AFC15	8.5 (0.79)	AFCP305	13.6 (1.26)	AFCW25	22.7 (2.11)	AFFW605	29.8 (2.77)
AFC155	9.2 (0.86)	AFCP3055	14.7 (1.37)	AFCW255	24.6 (2.29)	AFFW6055	32.1 (2.98)
AFC16	10.3 (0.96)	AFCP306	16.3 (1.51)	AFCW26	27.2 (2.53)	AFFW606	35.5 (3.30)
AFC18	13.8 (1.28)	AFCP308	21.8 (2.03)	AFCW28	36.1 (3.35)	AFFW608	46.9 (4.36)
AFCW106	1.1 (0.10)	AFC206	2.2 (0.20)	AFFW5006	3.2 (0.30)	AFFW8006	7.3 (0.68)
AFCW11	2.1 (0.20)	AFC21	4.1 (0.38)	AFFW501	5.5 (0.51)	AFFW801	11.1 (1.03)
AFCW12	4.2 (0.39)	AFC22	7.8 (0.73)	AFFW502	10.3 (0.96)	AFFW802	18.8 (1.75)
AFCW13	6.3 (0.59)	AFC23	11.5 (1.07)	AFFW503	14.8 (1.38)	AFFW803	26.4 (2.45)
AFCW135	7.1 (0.66)	AFC235	13.0 (1.21)	AFFW5035	16.7 (1.55)	AFFW8035	29.5 (2.74)
AFCW14	8.4 (0.78)	AFC24	15.2 (1.41)	AFFW504	19.5 (1.81)	AFFW804	34.1 (3.17)
AFCW145	9.2 (0.86)	AFC245	16.7 (1.55)	AFFW5045	21.4 (1.99)	AFFW8045	37.1 (3.45)
AFCW15	10.4 (0.97)	AFC25	18.9 (1.76)	AFFW505	24.1 (2.24)	AFFW805	41.6 (3.87)
AFCW155	11.3 (1.05)	AFC255	20.4 (1.90)	AFFW5055	26.1 (2.43)		
AFCW16	12.5 (1.16)	AFC26	22.6 (2.10)	AFFW506	28.8 (2.68)		
AFCW18	16.8 (1.56)	AFC28	30.2 (2.81)	AFFW508	38.2 (3.55)		

• Dimensions in parentheses are in square meters.

**Table of Springline™ Window Sizes** (continued)

Scale 1/8" (3) = 1'-0" (305) – 1:96

Springline™ sizes on pages 188-190.

Window Width Dimension	3'-1 1/2" (953)	4'-0" (1219)	5'-4 1/2" (1638)	5'-8 1/2" (1740)	6'-0" (1829)
<b>Minimum Rough Opening</b>	3'-2" (965)	4'-0 1/2" (1232)	5'-5" (1651)	5'-9" (1753)	6'-0 1/2" (1842)
Unobstructed Glass	32 3/4" (832)	43 1/4" (1099)	59 3/4" (1518)	63 3/4" (1619)	67 1/4" (1708)

**CUSTOM SIZES AVAILABLE**

Radius	18 3/4" (476)	24" (610)	32 1/4" (819)	34 1/4" (870)	36" (914)
Chord Height	18 3/4" (476)	24" (610)	32 1/4" (819)	34 1/4" (870)	36" (914)
Window height shown in table					

**CUSTOM SIZES AVAILABLE**

Shoulder Height	5'-4 13/16" (1646)	6'-11 9/16" (2122)	7'-4 13/16" (2256)	8'-1 1/16" (2465)	8'-3 1/16" (2515)	8'-4 13/16" (2561)
Unobstructed Glass = window height - 4 3/4" (121)	5'-11 7/8" (1826)	7'-6 5/8" (2302)	7'-11 7/8" (2435)	8'-8 1/8" (2645)	8'-10 5/8" (2708)	
Model	SE3155	SP4055	SE5455*	SE5855*		SE6055*
Model	SE316	SP406*	SE546*	SE586*		



Custom-size windows are available in 1/8" (3) increments. For more information contact your Andersen supplier.

Extension jambs are available factory-applied when ordered at the same time as Springline™ windows. Details on page 191. Grille patterns shown below.

- \* "Window Dimension" always refers to outside frame to frame dimension.
- \* "Minimum Rough Opening" dimensions may need to be increased to allow for use of building wraps, flashing, sill panning, brackets, fasteners or other items. See installation information on page 217.
- \* Dimensions in parentheses are in millimeters.
- \* Available only with Low-E4\* impact-resistant glass.

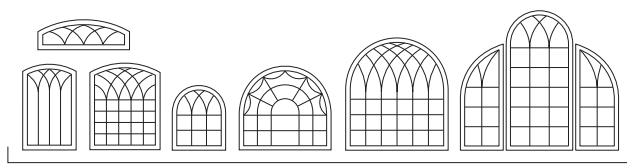
**Grille Patterns**

	Colonial	Renaissance	Sunburst
<b>Arch</b>			
<b>Springline™</b>			
<b>Springline™ Flanker</b>			

**Number of lights and overall pattern varies with window size. Patterns shown may not be available for all shapes in all sizes.**

Specified equal light and custom patterns are also available. For more information on divided light see page 147.

\* Andersen® Finelight™ grilles available in 3/4" (19) profile only.

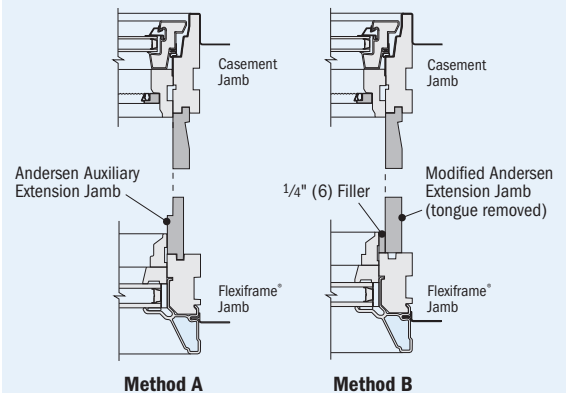


Custom Pattern Examples

**Extension Jamb Alignment**

For these joined 400 Series window combinations only:

- Arch, Springline™ or Flexiframe® over Casement
- Arch, Springline™ or Flexiframe® alongside Awning



**Method A: Individually Framed** Use optional Andersen auxiliary extension jambs for individual picture frame trimming.

**Method B: Perimeter Framed** For continuous perimeter trimming, remove tongue and use 1/4" (6) thick filler between Arch, Springline™ or Flexiframe® trim stop and extension jamb.

**Table of Springline™ Flanker Window Sizes**

Scale 1/8" (3) = 1'-0" (305) – 1:96

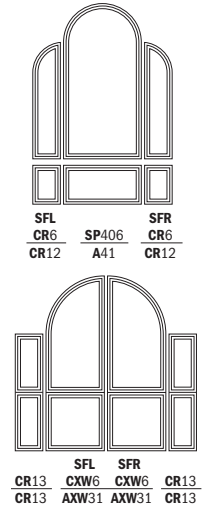
Window Dimension	1'-5"	1'-5"	1'-8 1/2"	1'-8 1/2"	2'-0 1/8"	2'-0 1/8"	2'-4 3/8"	2'-4 3/8"	2'-11 15/16"	2'-11 15/16"
	(432)	(432)	(521)	(521)	(613)	(613)	(721)	(721)	(913)	(913)
<b>Minimum Rough Opening</b>	1'-5 1/2"	1'-5 1/2"	1'-9"	1'-9"	2'-0 5/8"	2'-0 5/8"	2'-4 7/8"	2'-4 7/8"	3'-0 1/2"	3'-0 1/2"
	(445)	(445)	(533)	(533)	(625)	(625)	(733)	(733)	(927)	(927)
Unobstructed Glass	12 3/4"	12 3/4"	15 3/4"	15 3/4"	19 3/8"	19 3/8"	23 5/8"	23 5/8"	31 3/16"	31 3/16"
	(324)	(324)	(400)	(400)	(492)	(492)	(600)	(600)	(792)	(792)
	<b>CR</b>		<b>CN</b>		<b>C</b>		<b>CW</b>		<b>CXW</b>	
Radius	18 3/4" (476)		24" (610)		32 1/4" (819)		32 1/4" (819)		36" (914)	
Chord Height	18 5/8" (473)		23 11/16" (584)		31 3/16" (792)		32" (813)		36" (914)	
	<b>C3</b>		<b>C35</b>		<b>C4</b>		<b>C5</b>		<b>C6</b>	
Shoulder Height	2'-11 15/16" (913)		3'-4 13/16" (1037)		4'-0" (1219)		4'-11 7/8" (1521)		5'-11 7/8" (1826)	
	3'-0 1/2" (927)		3'-5 3/8" (1051)		4'-0 1/2" (1232)		5'-0 3/8" (1534)		6'-0 3/8" (1838)	
	31 3/16" (792)		38 13/16" (986)		43 1/4" (1099)		55 1/8" (1400)		67 1/4" (1708)	
	17 5/16" (440)		22 3/4" (564)		29 3/8" (721)		41 1/4" (1048)		53 1/4" (1353)	
	12 1/4" (311)		17 1/8" (435)		24 5/16" (618)		36 3/16" (919)		48 3/16" (1353)	
	9 5/8" (244)		9 5/8" (244)		16 13/16" (427)		28 11/16" (729)		40 11/16" (1033)	
	8 13/16" (234)		8 13/16" (234)		16" (406)		27 7/8" (708)		39 7/8" (1013)	
	12" (305)		12" (305)		23 7/8" (606)		23 7/8" (606)		35 7/8" (911)	



To order Springline™ flanker windows contact your Andersen supplier.

Custom window dimensions shown in table are compatible with standard casement window widths (**CR, CN, C, CW, CXW**) and heights (**C3, C35, C4, C5, C6**). Grille patterns shown on page 190.

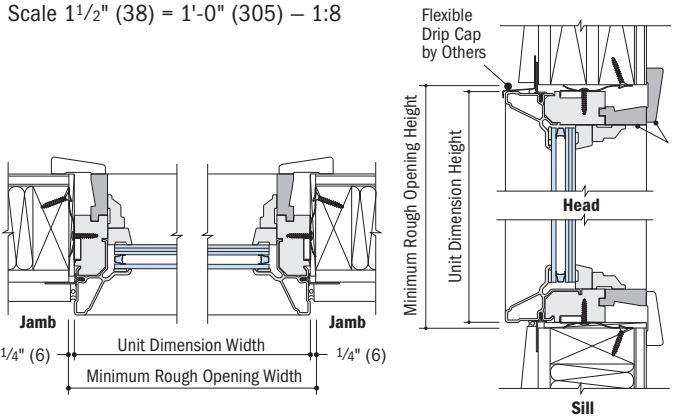
Examples:



- "Window Dimension" always refers to outside frame dimension.
- "Minimum Rough Opening" dimensions may need to be increased to allow for use of building wraps, flashing, sill panning, brackets, fasteners or other items. See installation information on page 217.
- Dimensions in parentheses are in millimeters.

**Arch Window Details**

Scale 1 1/2" (38) = 1'-0" (305) – 1:8

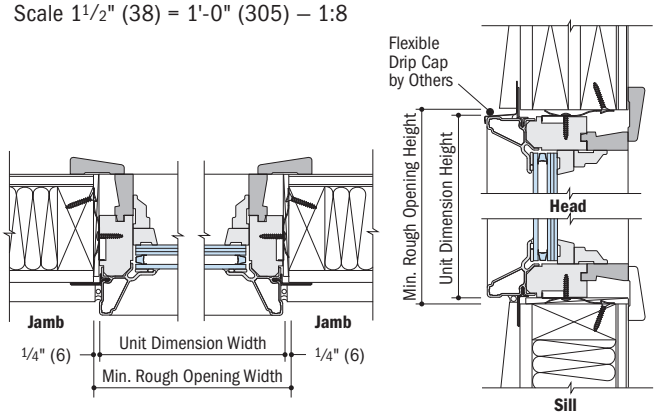


**Horizontal Section**  
Low-E4\* Impact-Resistant Glass

**Vertical Section**  
Low-E4\* Impact-Resistant Glass

**Springline™ Window Details**

Scale 1 1/2" (38) = 1'-0" (305) – 1:8



**Horizontal Section**  
Low-E4\* Impact-Resistant Glass

**Vertical Section**  
Low-E4\* Impact-Resistant Glass

- Light-colored areas are parts included with window. Dark-colored areas are additional Andersen® parts required to complete window assembly as shown.
- Dimensions in parentheses are in millimeters.
- **Rough openings may need to be increased to allow for use of building wraps, flashing, sill panning, brackets, fasteners or other items. See installation information on page 217.**
- Details are for illustration only and are not intended to represent product installation methods or materials. Refer to product installation guides at andersenwindows.com.

400 Series  
Specialty Windows



## Flexiframe® Window Shapes and Design Criteria

### Minimum and Maximum Limits

Flexiframe® windows may be assembled in almost any shape or size with these limitations:

**MAXIMUM GLASS AREA 50 sq. ft. or 4.65 m<sup>2</sup> glass dimension for Low-E4® Tempered Impact-Resistant Glass**

**MAXIMUM GLASS AREA 30 sq. ft. or 2.79 m<sup>2</sup> glass dimension for Monolithic Impact-Resistant Glass**

**Square footage is based on a square or rectangular shape**

**No angle may be less than 14°**

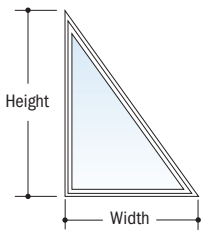
**No leg may be less than 6" (152) or greater than 120" (3048) glass dimension**

**No short leg may be greater than 84" (2134) glass dimension**

**One leg must be less than 72" (1829) glass dimension**

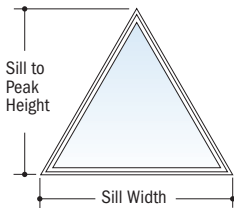
**See product information below for additional limitations based on specific shapes**

### Triangle



**Right Triangles** contain one 90° corner.

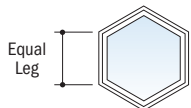
Specify length of both legs extending from the 90° corner.



**Isosceles Triangles** contain two sides of equal length and equal angle.

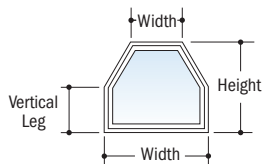
Specify length of leg at sill and window height (sill to peak).

### Hexagon



**Equilateral Hexagons** contain six equal angles and sides.

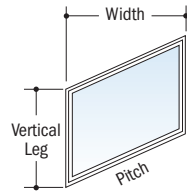
Specify length of one leg.



**Unequal Hexagons** contain three pairs of angles and two sets of equal length legs. Unequal leg at head of unit is parallel to and is centered over unequal leg at sill.

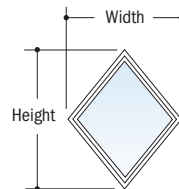
Specify width of leg at sill and head, one vertical leg and window height.

### Parallelogram



**Horizontal/Vertical Parallelograms** contain two pairs of parallel sides.

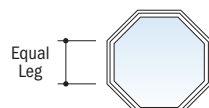
Specify length of vertical leg, window width and pitch.



**Diamonds** contain two pairs of parallel and equal length sides.

Specify by window width and window height.

### Octagon

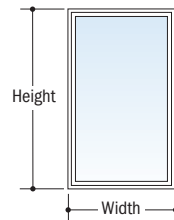
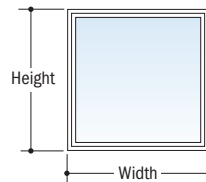


**Equilateral Octagons** contain eight equal angles and sides.

Specify length of one leg.

Standard octagons are available in 2' (610), 2'-4" (711) and 3' (914). See page 184.

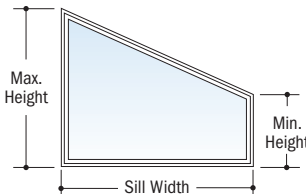
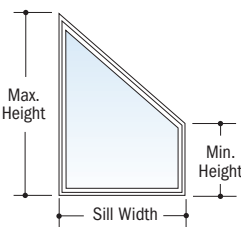
### Rectangle



**Rectangles** contain four equal angles and either two or four equal sides. Include both squares and rectangles.

Specify window width and height.

### Trapezoid

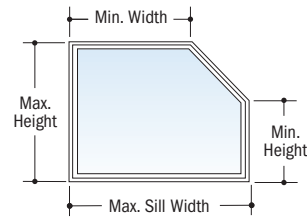


**Sloped to Left or Sloped to Right** contain angle face cut to left or right.

Specify window width at sill, window height, and length of short side.

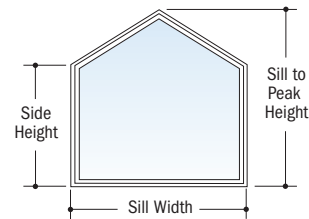
Slope is often designed to match a roof's slope.

### Pentagon



**Angled Pentagons** contain an angle cut, or a "cut-off corner" sloping to left or right.

Specify width at head, width at sill, height on short side and height on long side.

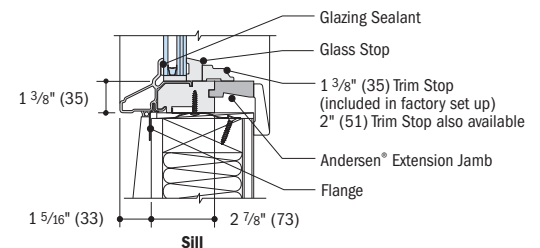


**Peaked Pentagons** contain sides of equal length, extending at right angles from the sill, and two angled sides, of equal length, that peak above center of sill.

Specify window width at sill, height of one vertical leg, and window height from sill to peak.

### Flexiframe® Window Detail

Scale 1 1/2" (38) = 1'-0" (305) – 1:8



**Horizontal Section**

Low-E4® Impact-Resistant Glass

**For joining information see the combination designs section starting on page 193.**

- Light-colored areas are parts included with window. Dark-colored areas are additional Andersen® parts required to complete window assembly as shown.
- **Rough openings may need to be increased to allow for use of building wraps, flashing, sill panning, brackets, fasteners or other items. See installation information on page 217.**
- Dimensions in parentheses are in millimeters.
- Details are for illustration only and are not intended to represent product installation methods or materials. Refer to product installation guides at andersenwindows.com.

# Andersen® windows and patio doors make it easy to create a wide variety of combination designs.

## Combination Types

### Ribbon Combinations

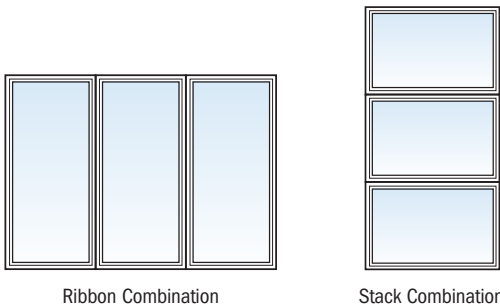
Ribbons are horizontal window combinations (vertical joins) where opposite ends (head and sill) of individual windows are fastened to the building structure.

### Stack Combinations

Stacks are vertical window combinations (horizontal joins) where opposite sides (both side jambs) of individual windows are fastened to the building structure.

Two basic configurations are used in combination designs; 1-way configurations or 2-way configurations.

### 1-Way



Ribbon Combination

Stack Combination

### 2-Way



Multiple Ribbon/Stack Combination

2-way combinations exist when multiple vertical stacks and horizontal ribbons are joined together. Unlike 1-way combinations, the opposite ends/sides (head and sill, or both side jambs) of individual units are not necessarily fastened directly to the building structure. 2-way combinations are joined with both vertical and horizontal joining material and may require reinforced joining materials depending on the local building code requirement for design wind load (measured in pounds per square foot, PSF).

## Determining Design Wind Load Performance

Proper combination design in conformance with local wind load requirements is vital to the success of your project. To make sure a combination is safe and that it complies with local building codes, the combination design wind load performance capacity must be determined.

Correctly determining this performance capacity involves the following three steps:

### STEP 1

#### Determine Building Code Requirement

Make sure that you have the proper local codes and have identified specified compliance values. This calculated value (PSF) will be used to determine if the combination will be acceptable (STEP 3).



### STEP 2

#### Determine Product Performance

Compare product Performance Grade Rating data to the local building code (PSF) requirement. This will show whether the individual units in a combination design are acceptable.

Performance Grade Ratings replaces Design Pressure Ratings for measuring product performance. See page 203 for further information.



### STEP 3

#### Determine Combination Performance

This step helps determine whether a given product, size, configuration and joining material type will meet the local building code design wind load requirement. To determine what joining material type to use (wood, clips, LVL, steel or aluminum), compare the local building code design wind load requirement to the Design Wind Load Table value for a particular joining material on the following pages.

## Andersen® Joining Materials and Installation Accessories

For a successful installation, designed to provide the required design pressure, it is important that Andersen joining materials and installation accessories be specified by a project architect or contractor. Andersen offers several types of joining materials. Each creates a joining system that maintains the look of Andersen® products. Choose the type appropriate for your combination design.

The addition of joining materials will affect the overall rough opening dimension. **Read and follow instruction guides in their entirety. Instruction guides are available from your Andersen supplier or by visiting andersenwindows.com.**

Components used with each joining system will vary depending on products being joined. Check with your Andersen supplier for more information.

**Andersen Exterior Trim Strips** - A variety of trim strips for finishing the join between joined products are available in colors to match Andersen windows and doors.

**Andersen Interior Wood Casing** - Available in several wood types, pre-finished options, sizes and style options including laminated arch casings, decorative plinth and key blocks.

## Reinforced Joining Materials

Materials vary depending on wind load requirements. The structural performance of any combination is only as high as the lowest structural performance rating of any individual window or material in the combination. Reinforced joining materials are used to create product alignment, positive joining and load transfer between the Andersen windows and doors and the rough opening. They provide added strength capable of withstanding a variety of wind load pressures. See joining instructions for specific joining and anchoring components.

**Laminated Veneer Lumber (LVL) Joining** - LVL joining material is available for A-Series windows and patio doors and 400 Series windows. Both 4 <sup>9</sup>/<sub>16</sub>" (116) x <sup>3</sup>/<sub>4</sub>" (19) LVL and 6 <sup>9</sup>/<sub>16</sub>" (167) x <sup>3</sup>/<sub>4</sub>" (19) LVL are available and include an aluminum exterior trim retainer. LVL materials are available in a variety of lengths up to 10' (3048).

**Steel Joining** - Steel joining material is available for 400 Series windows in 8'-0 <sup>1</sup>/<sub>4</sub>" (2445), 9'-6" (2896) and 12'-6" (3810) lengths. Treated for corrosion resistance, the 4" (102) width material provides strength and rigidity. Adjacent windows attach to the steel joining with screws provided in the kit.

**Aluminum Joining** - Aluminum joining material is available for 400 Series windows in 6'-0 <sup>3</sup>/<sub>32</sub>" (1831) and 7'-8" (2337) lengths. High-quality aluminum provides increased stiffness and is anodized for corrosion resistance. Aluminum joining stays within the basic jamb of the window so interior casing can be used without extension jambs. Adjacent windows attach to aluminum joining with screws provided in the kit.

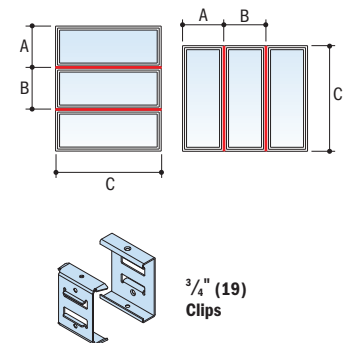
## Non-Reinforced Joining Materials

Materials vary depending on type of windows being joined and wind load requirements. Narrow joining materials are used to create alignment and positive joining between windows. Joining materials are not connected to the rough opening structure. Joining material is contained within the basic jambs so Andersen interior casing can be applied without the use of extension jambs. See joining instructions for specific joining and anchoring components.

## 1-Way Clip Joining

### A-Series: Casement, Awning, Double-Hung, Picture, Transom and Specialty Windows

Average Adjacent Window Dimension	(A + B) ÷ 2 = <b>10'-0"</b> (3048)	63	42	32				
	(A + B) ÷ 2 = <b>9'-6"</b> (2896)	63	42	32				
	(A + B) ÷ 2 = <b>9'-0"</b> (2743)	63	42	32				
	(A + B) ÷ 2 = <b>8'-6"</b> (2591)	63	42	32				
	(A + B) ÷ 2 = <b>8'-0"</b> (2438)	63	42	32				
	(A + B) ÷ 2 = <b>7'-6"</b> (2286)	63	42	32				
	(A + B) ÷ 2 = <b>7'-0"</b> (2134)	63	42	32				
	(A + B) ÷ 2 = <b>6'-6"</b> (1981)	63	42	32				
	(A + B) ÷ 2 = <b>6'-0"</b> (1829)	63	42	32				
	(A + B) ÷ 2 = <b>5'-6"</b> (1676)	63	42	33				
	(A + B) ÷ 2 = <b>5'-0"</b> (1524)	63	43	34				
	(A + B) ÷ 2 = <b>4'-6"</b> (1372)	65	45	35				
	(A + B) ÷ 2 = <b>4'-0"</b> (1219)	67	47	37				
	(A + B) ÷ 2 = <b>3'-6"</b> (1067)	70	51	41	31			
	(A + B) ÷ 2 = <b>3'-0"</b> (914)	70	55	44	33			
	(A + B) ÷ 2 = <b>2'-6"</b> (762)	70	64	52	39	33		
	(A + B) ÷ 2 = <b>2'-0"</b> (610)	70	70	60	45	38	30	
	(A + B) ÷ 2 = <b>1'-6"</b> (457)	70	70	70	60	50	40	34
	<b>C = (length of join)</b>	<b>5'-6"</b> (1676)	<b>6'-0"</b> (1829)	<b>6'-6"</b> (1981)	<b>7'-0"</b> (2134)	<b>7'-6"</b> (2286)	<b>8'-0"</b> (2438)	<b>8'-6"</b> (2591)

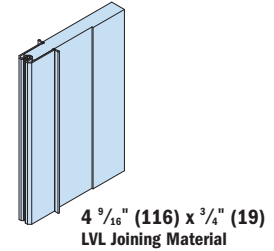
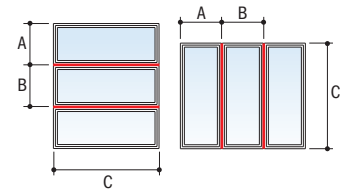


- Numerical values in charts represent structural pressure only.
- Dimensions in parentheses are in millimeters.
- Structural performance of any combination is only as high as the lowest structural performance of any individual unit or joining material in the combination.
- Andersen® products must be installed and anchored properly according to joining and installation guides to meet rated structural performance. Refer to product joining and installation guides at andersenwindows.com.

**1-Way LVL Joining**

**A-Series: Casement, Awning, Double-Hung, Picture, Transom and Specialty Windows**

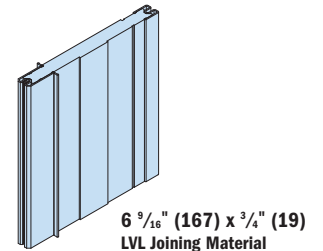
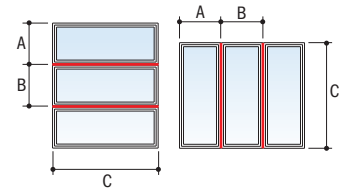
<b>4 9/16" (116) LVL</b>	<b>Average Adjacent Window Dimension</b>	(A + B) + 2 = <b>10'-0"</b> (3048)	70	70	70	55	44					
		(A + B) + 2 = <b>9'-6"</b> (2896)	70	70	70	55	44					
		(A + B) + 2 = <b>9'-0"</b> (2743)	70	70	70	55	44					
		(A + B) + 2 = <b>8'-6"</b> (2591)	70	70	70	55	44					
		(A + B) + 2 = <b>8'-0"</b> (2438)	70	70	70	55	44					
		(A + B) + 2 = <b>7'-6"</b> (2286)	70	70	70	55	44					
		(A + B) + 2 = <b>7'-0"</b> (2134)	70	70	70	55	44					
		(A + B) + 2 = <b>6'-6"</b> (1981)	70	70	70	56	45					
		(A + B) + 2 = <b>6'-0"</b> (1829)	70	70	70	56	45					
		(A + B) + 2 = <b>5'-6"</b> (1676)	70	70	70	58	47					
		(A + B) + 2 = <b>5'-0"</b> (1524)	70	70	70	60	49					
		(A + B) + 2 = <b>4'-6"</b> (1372)	70	70	70	64	52	40				
		(A + B) + 2 = <b>4'-0"</b> (1219)	70	70	70	67	55	43				
		(A + B) + 2 = <b>3'-6"</b> (1067)	70	70	70	70	61	48	41			
		(A + B) + 2 = <b>3'-0"</b> (914)	70	70	70	70	67	53	45			
		(A + B) + 2 = <b>2'-6"</b> (762)	70	70	70	70	70	62	53	43		
		(A + B) + 2 = <b>2'-0"</b> (610)	70	70	70	70	70	70	62	50	44	
		(A + B) + 2 = <b>1'-6"</b> (457)	70	70	70	70	70	70	70	67	59	
		<b>C = (length of join)</b>	<b>5'-6"</b> (1676)	<b>6'-0"</b> (1829)	<b>6'-6"</b> (1981)	<b>7'-0"</b> (2134)	<b>7'-6"</b> (2286)	<b>8'-0"</b> (2438)	<b>8'-6"</b> (2591)	<b>9'-0"</b> (2743)	<b>9'-6"</b> (2896)	



**1-Way LVL Joining**

**A-Series: Casement, Awning, Double-Hung, Picture, Transom and Specialty Windows**

<b>6 9/16" (167) LVL</b>	<b>Average Adjacent Window Dimension</b>	(A + B) + 2 = <b>10'-0"</b> (3048)	70	70	70	70	66	54	42			
		(A + B) + 2 = <b>9'-6"</b> (2896)	70	70	70	70	70	66	54	42		
		(A + B) + 2 = <b>9'-0"</b> (2743)	70	70	70	70	70	66	54	42		
		(A + B) + 2 = <b>8'-6"</b> (2591)	70	70	70	70	70	66	54	42		
		(A + B) + 2 = <b>8'-0"</b> (2438)	70	70	70	70	70	66	54	42		
		(A + B) + 2 = <b>7'-6"</b> (2286)	70	70	70	70	70	67	55	43		
		(A + B) + 2 = <b>7'-0"</b> (2134)	70	70	70	70	70	67	56	44		
		(A + B) + 2 = <b>6'-6"</b> (1981)	70	70	70	70	70	69	57	45		
		(A + B) + 2 = <b>6'-0"</b> (1829)	70	70	70	70	70	70	59	47	40	
		(A + B) + 2 = <b>5'-6"</b> (1676)	70	70	70	70	70	70	62	49	42	
		(A + B) + 2 = <b>5'-0"</b> (1524)	70	70	70	70	70	70	65	52	44	
		(A + B) + 2 = <b>4'-6"</b> (1372)	70	70	70	70	70	70	70	56	48	40
		(A + B) + 2 = <b>4'-0"</b> (1219)	70	70	70	70	70	70	70	60	52	42
		(A + B) + 2 = <b>3'-6"</b> (1067)	70	70	70	70	70	70	70	67	58	48
		(A + B) + 2 = <b>3'-0"</b> (914)	70	70	70	70	70	70	70	70	64	53
		(A + B) + 2 = <b>2'-6"</b> (762)	70	70	70	70	70	70	70	70	70	63
		(A + B) + 2 = <b>2'-0"</b> (610)	70	70	70	70	70	70	70	70	70	70
		(A + B) + 2 = <b>1'-6"</b> (457)	70	70	70	70	70	70	70	70	70	70
		<b>C = (length of join)</b>	<b>5'-6"</b> (1676)	<b>6'-0"</b> (1829)	<b>6'-6"</b> (1981)	<b>7'-0"</b> (2134)	<b>7'-6"</b> (2286)	<b>8'-0"</b> (2438)	<b>8'-6"</b> (2591)	<b>9'-0"</b> (2743)	<b>9'-6"</b> (2896)	<b>10'-0"</b> (3048)



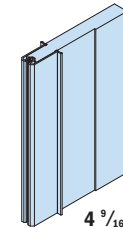
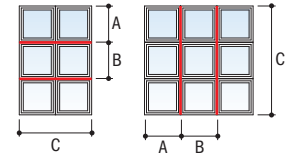
- Numerical values in charts represent structural pressure only.
- Dimensions in parentheses are in millimeters.
- Structural performance of any combination is only as high as the lowest structural performance of any individual unit or joining material in the combination.
- Andersen® products must be installed and anchored properly according to joining and installation guides to meet rated structural performance. Refer to product joining and installation guides at andersenwindows.com.

Combination Designs & Product Performance

## 2-Way LVL Joining

### A-Series: Casement, Awning, Double-Hung, Picture, Transom and Specialty Windows

<b>4 9/16" (116) LVL</b>	(A + B) + 2 = <b>6'-6"</b> (1981)	42																	
	(A + B) + 2 = <b>6'-0"</b> (1829)	45																	
	(A + B) + 2 = <b>5'-6"</b> (1676)	50																	
	(A + B) + 2 = <b>5'-0"</b> (1524)	54	40																
	(A + B) + 2 = <b>4'-6"</b> (1372)	61	45																
	(A + B) + 2 = <b>4'-0"</b> (1219)	67	49	40															
	(A + B) + 2 = <b>3'-6"</b> (1067)	70	58	47															
	(A + B) + 2 = <b>3'-0"</b> (914)	70	65	54	41														
	(A + B) + 2 = <b>2'-6"</b> (762)	70	70	66	51	43													
	(A + B) + 2 = <b>2'-0"</b> (610)	70	70	70	61	52	41												
	(A + B) + 2 = <b>1'-6"</b> (457)	70	70	70	70	70	57	49	40										
	<b>C = (length of join)</b>	<b>5'-6"</b> (1676)	<b>6'-0"</b> (1829)	<b>6'-6"</b> (1981)	<b>7'-0"</b> (2134)	<b>7'-6"</b> (2286)	<b>8'-0"</b> (2438)	<b>8'-6"</b> (2591)	<b>9'-0"</b> (2743)										

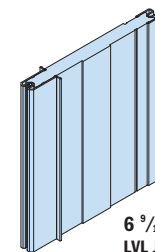
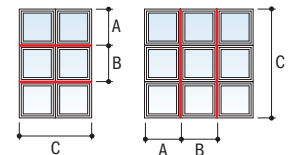


**4 9/16" (116) x 3/4" (19) LVL Joining Material**

## 2-Way LVL Joining

### A-Series: Casement, Awning, Double-Hung, Picture, Transom and Specialty Windows

<b>6 9/16" (167) LVL</b>	(A + B) + 2 = <b>10'-0"</b> (3048)	69	49	40															
	(A + B) + 2 = <b>9'-6"</b> (2896)	70	52	42															
	(A + B) + 2 = <b>9'-0"</b> (2743)	70	54	44															
	(A + B) + 2 = <b>8'-6"</b> (2591)	70	58	47															
	(A + B) + 2 = <b>8'-0"</b> (2438)	70	61	50															
	(A + B) + 2 = <b>7'-6"</b> (2286)	70	65	54	41														
	(A + B) + 2 = <b>7'-0"</b> (2134)	70	69	57	44														
	(A + B) + 2 = <b>6'-6"</b> (1981)	70	70	62	48	40													
	(A + B) + 2 = <b>6'-0"</b> (1829)	70	70	66	51	43													
	(A + B) + 2 = <b>5'-6"</b> (1676)	70	70	70	56	48													
	(A + B) + 2 = <b>5'-0"</b> (1524)	70	70	70	61	51	41												
	(A + B) + 2 = <b>4'-6"</b> (1372)	70	70	70	69	58	46	40											
	(A + B) + 2 = <b>4'-0"</b> (1219)	70	70	70	70	64	51	44											
	(A + B) + 2 = <b>3'-6"</b> (1067)	70	70	70	70	70	59	51	42										
	(A + B) + 2 = <b>3'-0"</b> (914)	70	70	70	70	70	67	58	48	42									
	(A + B) + 2 = <b>2'-6"</b> (762)	70	70	70	70	70	80	71	59	51	43								
	(A + B) + 2 = <b>2'-0"</b> (610)	70	70	70	70	70	80	80	70	62	52								
	(A + B) + 2 = <b>1'-6"</b> (457)	70	70	70	70	70	80	80	80	70	70								
	<b>C = (length of join)</b>	<b>5'-6"</b> (1676)	<b>6'-0"</b> (1829)	<b>6'-6"</b> (1981)	<b>7'-0"</b> (2134)	<b>7'-6"</b> (2286)	<b>8'-0"</b> (2438)	<b>8'-6"</b> (2591)	<b>9'-0"</b> (2743)	<b>9'-6"</b> (2896)	<b>10'-0"</b> (3048)								



**6 9/16" (167) x 3/4" (19) LVL Joining Material**

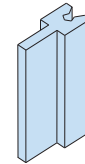
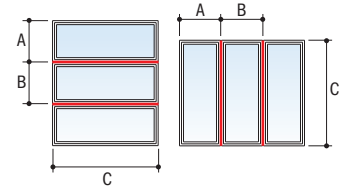
- Numerical values in charts represent structural pressure only.
- Dimensions in parentheses are in millimeters.
- Structural performance of any combination is only as high as the lowest structural performance of any individual unit or joining material in the combination.
- Andersen® products must be installed and anchored properly according to joining and installation guides to meet rated structural performance. Refer to product joining and installation guides at andersenwindows.com.



### 1-Way Wood Joining

#### 400 Series: PG Upgrade Casement, Awning and Flexiframe® Windows

Average Adjacent Window Dimension	(A + B) ÷ 2 = <b>12'-6"</b> (3810)	70	60	43				
	(A + B) ÷ 2 = <b>12'-0"</b> (3658)	70	60	43				
	(A + B) ÷ 2 = <b>11'-6"</b> (3505)	70	60	43				
	(A + B) ÷ 2 = <b>11'-0"</b> (3353)	70	60	43				
	(A + B) ÷ 2 = <b>10'-6"</b> (3200)	70	60	43				
	(A + B) ÷ 2 = <b>10'-0"</b> (3048)	70	60	43				
	(A + B) ÷ 2 = <b>9'-6"</b> (2896)	70	60	43				
	(A + B) ÷ 2 = <b>9'-0"</b> (2743)	70	60	43				
	(A + B) ÷ 2 = <b>8'-6"</b> (2591)	70	60	43				
	(A + B) ÷ 2 = <b>8'-0"</b> (2438)	70	60	43				
	(A + B) ÷ 2 = <b>7'-6"</b> (2286)	70	60	43				
	(A + B) ÷ 2 = <b>7'-0"</b> (2134)	70	60	43				
	(A + B) ÷ 2 = <b>6'-6"</b> (1981)	70	60	43				
	(A + B) ÷ 2 = <b>6'-0"</b> (1829)	70	60	43				
	(A + B) ÷ 2 = <b>5'-6"</b> (1676)	70	60	43				
	(A + B) ÷ 2 = <b>5'-0"</b> (1524)	70	60	43				
	(A + B) ÷ 2 = <b>4'-6"</b> (1372)	70	60	43				
	(A + B) ÷ 2 = <b>4'-0"</b> (1219)	70	60	44				
	(A + B) ÷ 2 = <b>3'-6"</b> (1067)	70	62	46				
	(A + B) ÷ 2 = <b>3'-0"</b> (914)	70	67	50	40			
(A + B) ÷ 2 = <b>2'-6"</b> (762)	70	70	57	45				
(A + B) ÷ 2 = <b>2'-0"</b> (610)	70	70	69	55	45			
(A + B) ÷ 2 = <b>1'-6"</b> (457)	70	70	70	70	59	49	40	
<b>C = (length of join)</b>	<b>3'-6"</b> (1067)	<b>4'-0"</b> (1219)	<b>4'-6"</b> (1372)	<b>5'-0"</b> (1524)	<b>5'-6"</b> (1676)	<b>6'-0"</b> (1829)	<b>6'-6"</b> (1981)	



**PG Upgrade Only**  
Wood Joining Material

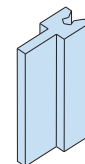
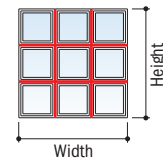
**Note:** Stacking of windows is allowed to a maximum height of 12'-6" (3810). Contact your Andersen supplier for information about taller combination heights.

Combination Designs & Product Performance

### 2-Way Wood Joining

#### 400 Series: PG Upgrade Casement, Awning and Flexiframe® Windows

Average Adjacent Window Dimension	(A + B) ÷ 2 = <b>7'-0"</b> (2134)	41							
	(A + B) ÷ 2 = <b>6'-6"</b> (1981)	45							
	(A + B) ÷ 2 = <b>6'-0"</b> (1829)	48							
	(A + B) ÷ 2 = <b>5'-6"</b> (1676)	53							
	(A + B) ÷ 2 = <b>5'-0"</b> (1524)	58	42						
	(A + B) ÷ 2 = <b>4'-6"</b> (1372)	64	47						
	(A + B) ÷ 2 = <b>4'-0"</b> (1219)	70	53	41					
	(A + B) ÷ 2 = <b>3'-6"</b> (1067)	70	60	46					
	(A + B) ÷ 2 = <b>3'-0"</b> (914)	70	70	54	43				
	(A + B) ÷ 2 = <b>2'-6"</b> (762)	70	70	65	52	42			
	(A + B) ÷ 2 = <b>2'-0"</b> (610)	70	70	70	64	52	43		
	(A + B) ÷ 2 = <b>1'-6"</b> (457)	70	70	70	70	70	57	48	41
	<b>C = (length of join)</b>	<b>3'-0"</b> (914)	<b>3'-6"</b> (1067)	<b>4'-0"</b> (1219)	<b>4'-6"</b> (1372)	<b>5'-0"</b> (1524)	<b>5'-6"</b> (1676)	<b>6'-0"</b> (1829)	<b>6'-6"</b> (1981)



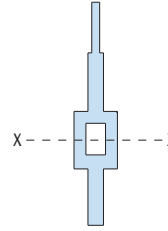
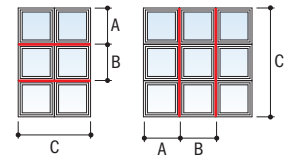
**PG Upgrade Only**  
Wood Joining Material

- Numerical values in charts represent structural pressure only.
- Dimensions in parentheses are in millimeters.
- Structural performance of any combination is only as high as the lowest structural performance of any individual unit or joining material in the combination.
- Andersen® products must be installed and anchored properly according to joining and installation guides to meet rated structural performance. Refer to product joining and installation guides at andersenwindows.com.

## 1-Way or 2-Way Aluminum Joining

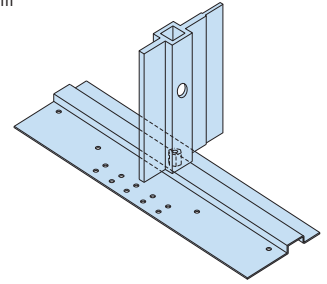
### 400 Series: Casement, Awning and Flexiframe® Windows

$(A+B) \div 2 = 9'-0"$ (2743)	70	56	41												
$(A+B) \div 2 = 8'-6"$ (2591)	70	60	43												
$(A+B) \div 2 = 8'-0"$ (2438)	70	63	46												
$(A+B) \div 2 = 7'-6"$ (2286)	70	67	49												
$(A+B) \div 2 = 7'-0"$ (2134)	70	70	52												
$(A+B) \div 2 = 6'-6"$ (1981)	70	70	56	42											
$(A+B) \div 2 = 6'-0"$ (1829)	70	70	60	45											
$(A+B) \div 2 = 5'-6"$ (1676)	70	70	66	49											
$(A+B) \div 2 = 5'-0"$ (1524)	70	70	70	54	41										
$(A+B) \div 2 = 4'-6"$ (1372)	70	70	70	59	45										
$(A+B) \div 2 = 4'-0"$ (1219)	70	70	70	66	50										
$(A+B) \div 2 = 3'-6"$ (1067)	70	70	70	70	57	44									
$(A+B) \div 2 = 3'-0"$ (914)	70	70	70	70	65	51	40								
$(A+B) \div 2 = 2'-6"$ (762)	70	70	70	70	70	60	48								
$(A+B) \div 2 = 2'-0"$ (610)	70	70	70	70	70	70	59	48							
$(A+B) \div 2 = 1'-6"$ (457)	70	70	70	70	70	70	70	63							
<b>C = (length of join)</b>	<b>4'-0"</b> (1219)	<b>4'-6"</b> (1372)	<b>5'-0"</b> (1524)	<b>5'-6"</b> (1676)	<b>6'-0"</b> (1829)	<b>6'-6"</b> (1981)	<b>7'-0"</b> (2134)	<b>7'-6"</b> (2286)							



#### Aluminum Joining Material

$E = 10 \times 10^6$  psi,  $I$  (AXIS  $x-x$ ) = .59 in<sup>4</sup>  
6061-T6 Aluminum



For a joint with a continuous jamb on one side, multiply PSF by 1.2.

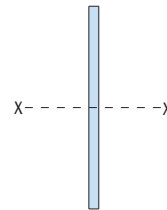
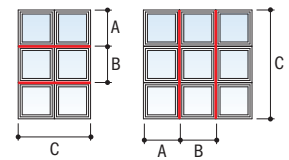


For a joint with a continuous jamb on both sides, multiply PSF by 1.4.

## 1-Way or 2-Way Steel Joining

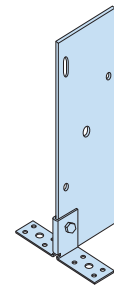
### 400 Series: Casement, Awning and Flexiframe® Windows

$(A+B) \div 2 = 12'-6"$ (3810)	50																										
$(A+B) \div 2 = 12'-0"$ (3658)	52																										
$(A+B) \div 2 = 11'-6"$ (3505)	54	40																									
$(A+B) \div 2 = 11'-0"$ (3353)	57	42																									
$(A+B) \div 2 = 10'-6"$ (3200)	59	44																									
$(A+B) \div 2 = 10'-0"$ (3048)	62	46																									
$(A+B) \div 2 = 9'-6"$ (2896)	66	48																									
$(A+B) \div 2 = 9'-0"$ (2743)	69	51																									
$(A+B) \div 2 = 8'-6"$ (2591)	70	54	41																								
$(A+B) \div 2 = 8'-0"$ (2438)	70	57	44																								
$(A+B) \div 2 = 7'-6"$ (2286)	70	61	47																								
$(A+B) \div 2 = 7'-0"$ (2134)	70	66	50	40																							
$(A+B) \div 2 = 6'-6"$ (1981)	70	70	54	43																							
$(A+B) \div 2 = 6'-0"$ (1829)	70	70	58	46																							
$(A+B) \div 2 = 5'-6"$ (1676)	70	70	64	50	41																						
$(A+B) \div 2 = 5'-0"$ (1524)	70	70	70	55	45																						
$(A+B) \div 2 = 4'-6"$ (1372)	70	70	70	62	50	41																					
$(A+B) \div 2 = 4'-0"$ (1219)	70	70	70	69	56	46																					
$(A+B) \div 2 = 3'-6"$ (1067)	70	70	70	70	64	53	45																				
$(A+B) \div 2 = 3'-0"$ (914)	70	70	70	70	70	62	52	44																			
$(A+B) \div 2 = 2'-6"$ (762)	70	70	70	70	70	70	62	53	46	40																	
$(A+B) \div 2 = 2'-0"$ (610)	70	70	70	70	70	70	70	66	57	50	44																
$(A+B) \div 2 = 1'-6"$ (457)	70	70	70	70	70	70	70	70	70	66	58	52	46	42													
<b>C = (length of join)</b>	<b>3'-0"</b> (914)	<b>3'-6"</b> (1067)	<b>4'-0"</b> (1219)	<b>4'-6"</b> (1372)	<b>5'-0"</b> (1524)	<b>5'-6"</b> (1676)	<b>6'-0"</b> (1829)	<b>6'-6"</b> (1981)	<b>7'-0"</b> (2134)	<b>7'-6"</b> (2286)	<b>8'-0"</b> (2438)	<b>8'-6"</b> (2591)	<b>9'-0"</b> (2743)	<b>9'-6"</b> (2896)													



#### 4" (102) x 3/16" (5) Steel Joining Material

$E = 29 \times 10^6$  psi,  $I$  (AXIS  $x-x$ ) = 1.0 in<sup>4</sup>  
A36 hot rolled steel



For a joint with a continuous jamb on one side, multiply PSF by 1.2.



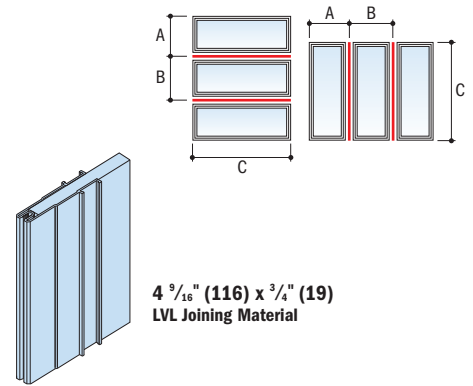
For a joint with a continuous jamb on both sides, multiply PSF by 1.4.

- Numerical values in charts represent structural pressure only.
- Dimensions in parentheses are in millimeters.
- Structural performance of any combination is only as high as the lowest structural performance of any individual unit or joining material in the combination.
- Andersen® products must be installed and anchored properly according to joining and installation guides to meet rated structural performance. Refer to product joining and installation guides at andersenwindows.com.

**1-Way LVL Joining**

**400 Series: Casement, Awning and Flexiframe® Windows**

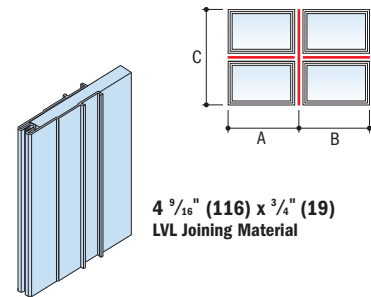
Average Adjacent Window Dimension	(A + B) ÷ 2 = <b>6'-0"</b> (1829)	82	70
	(A + B) ÷ 2 = <b>5'-6"</b> (1676)	82	71
	(A + B) ÷ 2 = <b>5'-0"</b> (1524)	82	72
	(A + B) ÷ 2 = <b>4'-6"</b> (1372)	82	75
	(A + B) ÷ 2 = <b>4'-0"</b> (1219)	82	79
	(A + B) ÷ 2 = <b>3'-6"</b> (1067)	82	82
	(A + B) ÷ 2 = <b>3'-0"</b> (914)	82	82
	(A + B) ÷ 2 = <b>2'-6"</b> (762)	82	82
	(A + B) ÷ 2 = <b>2'-0"</b> (610)	82	82
	(A + B) ÷ 2 = <b>1'-6"</b> (457)	82	82
<b>C = (length of join)</b>	<b>5'-6"</b> (1676) or less	<b>6'-0"</b> (1829)	



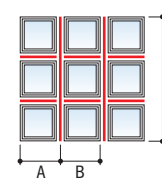
**2-Way LVL Joining**

**400 Series: Casement, Awning and Flexiframe® Windows**

4 9/16" (116) LVL	Average Adjacent Window Dim.	(A + B) ÷ 2 = <b>6'-0"</b> (1829)	65	51	41				
		(A + B) ÷ 2 = <b>5'-6"</b> (1676)	70	56	45				
		(A + B) ÷ 2 = <b>5'-0"</b> (1524)	70	62	50	41			
		(A + B) ÷ 2 = <b>4'-6"</b> (1372)	70	68	55	46			
		(A + B) ÷ 2 = <b>4'-0"</b> (1219)	70	70	62	51	43		
		(A + B) ÷ 2 = <b>3'-6"</b> (1067)	70	70	70	59	49	42	
		(A + B) ÷ 2 = <b>3'-0"</b> (914)	70	70	70	69	58	49	42
		(A + B) ÷ 2 = <b>2'-6"</b> (762)	70	70	70	70	69	59	51
		<b>C = (length of join)</b>	<b>4'-0"</b> (1219) or less	<b>4'-6"</b> (1372)	<b>5'-0"</b> (1524)	<b>5'-6"</b> (1676)	<b>6'-0"</b> (1829)	<b>6'-6"</b> (1981)	<b>7'-0"</b> (2134)



6 9/16" (167) LVL	Average Adjacent Window Dimension	(A + B) ÷ 2 = <b>10'-0"</b> (3048)	82	75	63	56	48	44			
		(A + B) ÷ 2 = <b>9'-6"</b> (2896)	82	75	63	56	48	44			
		(A + B) ÷ 2 = <b>9'-0"</b> (2743)	82	75	63	56	48	44			
		(A + B) ÷ 2 = <b>8'-6"</b> (2591)	82	75	63	56	48	44			
		(A + B) ÷ 2 = <b>8'-0"</b> (2438)	82	75	63	56	48	44			
		(A + B) ÷ 2 = <b>7'-6"</b> (2286)	82	75	63	56	48	44			
		(A + B) ÷ 2 = <b>7'-0"</b> (2134)	82	75	63	56	49	45			
		(A + B) ÷ 2 = <b>6'-6"</b> (1981)	82	75	63	57	50	46	40		
		(A + B) ÷ 2 = <b>6'-0"</b> (1829)	82	75	64	58	51	47	41		
		(A + B) ÷ 2 = <b>5'-6"</b> (1676)	82	77	66	60	54	50	44		
		(A + B) ÷ 2 = <b>5'-0"</b> (1524)	82	79	68	63	56	52	46		
		(A + B) ÷ 2 = <b>4'-6"</b> (1372)	82	82	73	67	60	56	50	43	
		(A + B) ÷ 2 = <b>4'-0"</b> (1219)	82	82	77	71	64	60	53	46	
		(A + B) ÷ 2 = <b>3'-6"</b> (1067)	82	82	82	79	71	67	60	52	42
		(A + B) ÷ 2 = <b>3'-0"</b> (914)	82	82	82	82	78	74	66	57	47
		(A + B) ÷ 2 = <b>2'-6"</b> (762)	82	82	82	82	82	82	78	68	56
		(A + B) ÷ 2 = <b>2'-0"</b> (610)	82	82	82	82	82	82	82	79	66
		(A + B) ÷ 2 = <b>1'-6"</b> (457)	82	82	82	82	82	82	82	82	82
		<b>C = (length of join)</b>	<b>6'-0"</b> (1829) or less	<b>6'-6"</b> (1981)	<b>7'-0"</b> (2134)	<b>7'-6"</b> (2286)	<b>8'-0"</b> (2438)	<b>8'-6"</b> (2591)	<b>9'-0"</b> (2743)	<b>9'-6"</b> (2896)	<b>10'-0"</b> (3048)



2-way joining must be assembled on the jobsite within the rough opening.

- Numerical values in charts represent structural pressure only.
- Dimensions in parentheses are in millimeters.
- Structural performance of any combination is only as high as the lowest structural performance of any individual unit or joining material in the combination.
- Andersen® products must be installed and anchored properly according to joining and installation guides to meet rated structural performance. Refer to product joining and installation guides at andersenwindows.com.

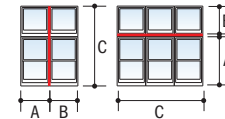
Combination  
Designs & Product  
Performance

## 1-Way or 2-Way Steel Joining

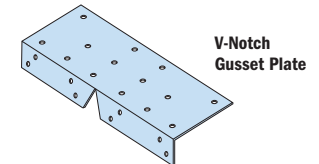
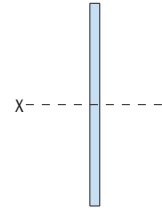
### 400 Series: Tilt-Wash Double-Hung Windows

Average Adjacent Window Dimension	(A + B) + 2 = <b>7'-6"</b> (2286)	43	36	30						
	(A + B) + 2 = <b>7'-0"</b> (2134)	45	38	33						
	(A + B) + 2 = <b>6'-6"</b> (1981)	49	40	35	30					
	(A + B) + 2 = <b>6'-0"</b> (1829)	50	45	38	30					
	(A + B) + 2 = <b>5'-6"</b> (1676)	50	49	42	35	30				
	(A + B) + 2 = <b>5'-0"</b> (1524)	50	50	45	39	34	30			
	(A + B) + 2 = <b>4'-6"</b> (1372)	50	50	50	44	38	33			
	(A + B) + 2 = <b>4'-0"</b> (1219)	50	50	50	49	40	37	30		
	(A + B) + 2 = <b>3'-6"</b> (1067)	50	50	50	50	49	40	34		
	(A + B) + 2 = <b>3'-0"</b> (914)	50	50	50	50	50	48	39	33	
	(A + B) + 2 = <b>2'-6"</b> (762)	50	50	50	50	50	50	47	39	33
	(A + B) + 2 = <b>2'-0"</b> (610)	50	50	50	50	50	50	50	49	41
<b>C = (length of join)</b>	<b>5'-6"</b> (1676) or less	<b>6'-0"</b> (1829)	<b>6'-6"</b> (1981)	<b>7'-0"</b> (2134)	<b>7'-6"</b> (2286)	<b>8'-0"</b> (2438)	<b>8'-6"</b> (2591)	<b>9'-0"</b> (2743)	<b>9'-6"</b> (2896)	

**4" (102) x 3/16" (5) Steel Joining Material**  
 E = 29 x 10<sup>6</sup> psi, I (AXIS x - x) = 1.0 in<sup>4</sup>  
 A36 hot rolled steel



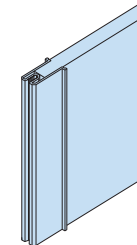
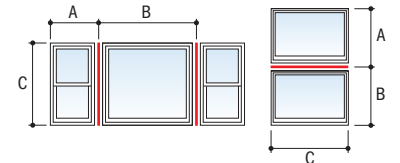
This table shows value up to 50 PSF to accommodate combinations of PG Upgrade windows. The rating of a combination cannot exceed the lowest rating of the individual windows used.



## 1-Way LVL Joining

### 400 Series: Tilt-Wash Double-Hung, Picture and Transom Windows

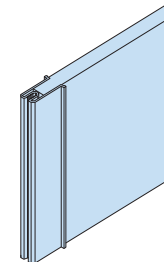
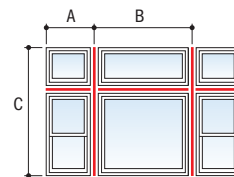
4 9/16" (116) LVL	Average Adjacent Window Dimension	(A + B) + 2 = <b>6'-0"</b> (1829)	82	70	62	50	40	
		(A + B) + 2 = <b>5'-6"</b> (1676)	82	71	63	51	42	
		(A + B) + 2 = <b>5'-0"</b> (1524)	82	72	64	53	43	
		(A + B) + 2 = <b>4'-6"</b> (1372)	82	75	68	56	46	
		(A + B) + 2 = <b>4'-0"</b> (1219)	82	79	71	59	49	
		(A + B) + 2 = <b>3'-6"</b> (1067)	82	82	78	65	54	44
		(A + B) + 2 = <b>3'-0"</b> (914)	82	82	82	72	59	48
		(A + B) + 2 = <b>2'-6"</b> (762)	82	82	82	82	70	57
		(A + B) + 2 = <b>2'-0"</b> (610)	82	82	82	82	81	66
		(A + B) + 2 = <b>1'-6"</b> (457)	82	82	82	82	82	82
		(A + B) + 2 = <b>1'-0"</b> (457)	82	82	82	82	82	82
		<b>C = (length of join)</b>	<b>5'-6"</b> (1676) or less	<b>6'-0"</b> (1829)	<b>6'-6"</b> (1981)	<b>7'-0"</b> (2134)	<b>7'-6"</b> (2286)	<b>8'-0"</b> (2438)



**4 9/16" (116) x 3/4" (19) LVL Joining Material**

6 9/16" (167) LVL	Average Adjacent Window Dimension	(A + B) + 2 = <b>10'-0"</b> (3048)	82	75	63	56	48	44			
		(A + B) + 2 = <b>9'-6"</b> (2896)	82	75	63	56	48	44			
		(A + B) + 2 = <b>9'-0"</b> (2743)	82	75	63	56	48	44			
		(A + B) + 2 = <b>8'-6"</b> (2591)	82	75	63	56	48	44			
		(A + B) + 2 = <b>8'-0"</b> (2438)	82	75	63	56	48	44			
		(A + B) + 2 = <b>7'-6"</b> (2286)	82	75	63	56	48	44			
		(A + B) + 2 = <b>7'-0"</b> (2134)	82	75	63	56	49	45			
		(A + B) + 2 = <b>6'-6"</b> (1981)	82	75	63	57	50	46	40		
		(A + B) + 2 = <b>6'-0"</b> (1829)	82	75	64	58	51	47	41		
		(A + B) + 2 = <b>5'-6"</b> (1676)	82	77	66	60	54	50	44		
		(A + B) + 2 = <b>5'-0"</b> (1524)	82	79	68	63	56	52	46		
		(A + B) + 2 = <b>4'-6"</b> (1372)	82	82	73	67	60	56	50	43	
		(A + B) + 2 = <b>4'-0"</b> (1219)	82	82	77	71	64	60	53	46	
		(A + B) + 2 = <b>3'-6"</b> (1067)	82	82	82	79	71	67	60	52	42
		(A + B) + 2 = <b>3'-0"</b> (914)	82	82	82	82	78	74	66	57	47
		(A + B) + 2 = <b>2'-6"</b> (762)	82	82	82	82	82	82	78	68	56
		(A + B) + 2 = <b>2'-0"</b> (610)	82	82	82	82	82	82	82	79	66
		(A + B) + 2 = <b>1'-6"</b> (457)	82	82	82	82	82	82	82	82	82
		<b>C = (length of join)</b>	<b>6'-0"</b> (1829) or less	<b>6'-6"</b> (1981)	<b>7'-0"</b> (2134)	<b>7'-6"</b> (2286)	<b>8'-0"</b> (2438)	<b>8'-6"</b> (2591)	<b>9'-0"</b> (2743)	<b>9'-6"</b> (2896)	<b>10'-0"</b> (3048)

Note: 2-way joining must be assembled on the jobsite within the rough opening. When creating 2-way combinations 6 9/16" (167) minimum wall thickness, 6 9/16" (167) LVL joining material is required.



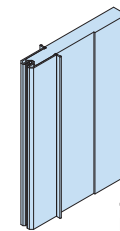
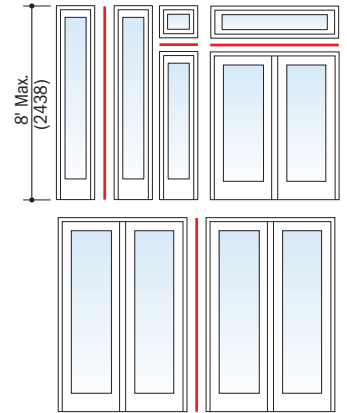
**6 9/16" (167) x 3/4" (19) LVL Joining Material**

- Numerical values in charts represent structural pressure only.
- Dimensions in parentheses are in millimeters.
- Structural performance of any combination is only as high as the lowest structural performance of any individual unit or joining material in the combination.
- Andersen® products must be installed and anchored properly according to joining and installation guides to meet rated structural performance. Refer to product joining and installation guides at andersenwindows.com.

**1-Way LVL Joining**

**A-Series Frenchwood® Patio Doors: Gliding, Hinged Inswing, Hinged Outswing, Transoms and Sidelights**

<b>4 9/16" (116) LVL</b>	Average Adjacent Door/Transom/Sidelight Dimension	(A + B) + 2 = <b>10'-0"</b> (3048)	80	80	80	80	75	56	46			
		(A + B) + 2 = <b>9'-6"</b> (2896)	80	80	80	80	75	56	46			
		(A + B) + 2 = <b>9'-0"</b> (2743)	80	80	80	80	75	56	46			
		(A + B) + 2 = <b>8'-6"</b> (2591)	80	80	80	80	75	56	46			
		(A + B) + 2 = <b>8'-0"</b> (2438)	80	80	80	80	75	56	46			
		(A + B) + 2 = <b>7'-6"</b> (2286)	80	80	80	80	75	56	46			
		(A + B) + 2 = <b>7'-0"</b> (2134)	80	80	80	80	76	57	47			
		(A + B) + 2 = <b>6'-6"</b> (1981)	80	80	80	80	77	58	48			
		(A + B) + 2 = <b>6'-0"</b> (1829)	80	80	80	80	78	60	50			
		(A + B) + 2 = <b>5'-6"</b> (1676)	80	80	80	80	80	62	52	42		
		(A + B) + 2 = <b>5'-0"</b> (1524)	80	80	80	80	80	65	55	43		
		(A + B) + 2 = <b>4'-6"</b> (1372)	80	80	80	80	80	70	59	47	41	
		(A + B) + 2 = <b>4'-0"</b> (1219)	80	80	80	80	80	74	63	50	43	
		(A + B) + 2 = <b>3'-6"</b> (1067)	80	80	80	80	80	80	70	56	49	40
		(A + B) + 2 = <b>3'-0"</b> (914)	80	80	80	80	80	80	77	62	54	45
		(A + B) + 2 = <b>2'-6"</b> (762)	80	80	80	80	80	80	80	74	64	53
		(A + B) + 2 = <b>2'-0"</b> (610)	80	80	80	80	80	80	80	80	75	62
		(A + B) + 2 = <b>1'-6"</b> (457)	80	80	80	80	80	80	80	80	80	80
		<b>C = (length of join)</b>	<b>5'-6"</b> (1676)	<b>6'-0"</b> (1829)	<b>6'-6"</b> (1981)	<b>7'-0"</b> (2134)	<b>7'-6"</b> (2286)	<b>8'-0"</b> (2438)	<b>8'-6"</b> (2591)	<b>9'-0"</b> (2743)	<b>9'-6"</b> (2896)	<b>10'-0"</b> (3048)



When joining hinged inswing or outswing patio doors do not join hinge jamb to hinge jamb.

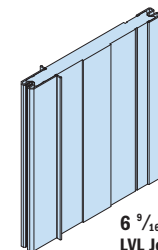
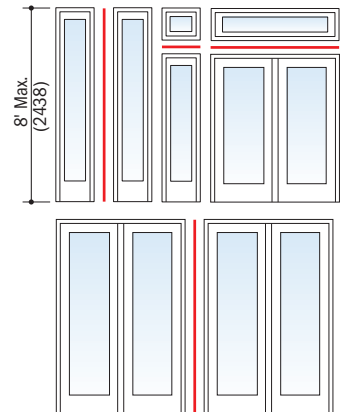
**4 9/16" (116) x 3/4" (19) LVL Joining Material**

Combination Designs & Product Performance

**1-Way LVL Joining**

**A-Series Frenchwood® Patio Doors: Gliding, Hinged Inswing, Hinged Outswing, Transoms and Sidelights**

<b>6 9/16" (167) LVL</b>	Average Adjacent Door/Transom/Sidelight Dimension	(A + B) + 2 = <b>10'-0"</b> (3048)	80	80	80	80	80	80	77	64	51	
		(A + B) + 2 = <b>9'-6"</b> (2896)	80	80	80	80	80	80	80	77	64	51
		(A + B) + 2 = <b>9'-0"</b> (2743)	80	80	80	80	80	80	80	77	65	51
		(A + B) + 2 = <b>8'-6"</b> (2591)	80	80	80	80	80	80	80	77	65	52
		(A + B) + 2 = <b>8'-0"</b> (2438)	80	80	80	80	80	80	80	78	66	53
		(A + B) + 2 = <b>7'-6"</b> (2286)	80	80	80	80	80	80	80	80	67	54
		(A + B) + 2 = <b>7'-0"</b> (2134)	80	80	80	80	80	80	80	80	69	56
		(A + B) + 2 = <b>6'-6"</b> (1981)	80	80	80	80	80	80	80	80	72	58
		(A + B) + 2 = <b>6'-0"</b> (1829)	80	80	80	80	80	80	80	80	75	61
		(A + B) + 2 = <b>5'-6"</b> (1676)	80	80	80	80	80	80	80	80	78	64
		(A + B) + 2 = <b>5'-0"</b> (1524)	80	80	80	80	80	80	80	80	80	68
		(A + B) + 2 = <b>4'-6"</b> (1372)	80	80	80	80	80	80	80	80	80	73
		(A + B) + 2 = <b>4'-0"</b> (1219)	80	80	80	80	80	80	80	80	80	79
		(A + B) + 2 = <b>3'-6"</b> (1067)	80	80	80	80	80	80	80	80	80	80
		(A + B) + 2 = <b>3'-0"</b> (914)	80	80	80	80	80	80	80	80	80	80
		(A + B) + 2 = <b>2'-6"</b> (762)	80	80	80	80	80	80	80	80	80	80
		(A + B) + 2 = <b>2'-0"</b> (610)	80	80	80	80	80	80	80	80	80	80
		(A + B) + 2 = <b>1'-6"</b> (457)	80	80	80	80	80	80	80	80	80	80
		<b>C = (length of join)</b>	<b>5'-6"</b> (1676)	<b>6'-0"</b> (1829)	<b>6'-6"</b> (1981)	<b>7'-0"</b> (2134)	<b>7'-6"</b> (2286)	<b>8'-0"</b> (2438)	<b>8'-6"</b> (2591)	<b>9'-0"</b> (2743)	<b>9'-6"</b> (2896)	<b>10'-0"</b> (3048)



When joining hinged inswing or outswing patio doors do not join hinge jamb to hinge jamb.

**6 9/16" (167) x 3/4" (19) LVL Joining Material**

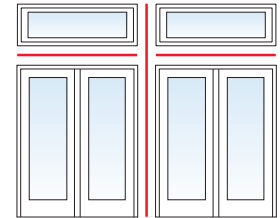
- Numerical values in charts represent structural pressure only.
- Dimensions in parentheses are in millimeters.
- Structural performance of any combination is only as high as the lowest structural performance of any individual unit or joining material in the combination.
- Andersen® products must be installed and anchored properly according to joining and installation guides to meet rated structural performance. Refer to product joining and installation guides at andersenwindows.com.



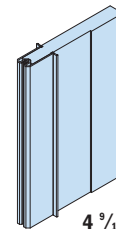
## 2-Way LVL Joining

### A-Series Frenchwood® Patio Doors: Gliding, Hinged Inswing, Hinged Outswing, Transoms and Sidelights

<b>4 9/16" (116) LVL</b>	Average Adjacent Door/Transom/Sidelight Dimension	(A + B) + 2 = <b>10'-0"</b> (3048)	57	42																	
		(A + B) + 2 = <b>9'-6"</b> (2896)	60	45																	
		(A + B) + 2 = <b>9'-0"</b> (2743)	63	47																	
		(A + B) + 2 = <b>8'-6"</b> (2591)	67	50	41																
		(A + B) + 2 = <b>8'-0"</b> (2438)	71	52	43																
		(A + B) + 2 = <b>7'-6"</b> (2286)	76	57	46																
		(A + B) + 2 = <b>7'-0"</b> (2134)	80	60	49																
		(A + B) + 2 = <b>6'-6"</b> (1981)	80	65	53	41															
		(A + B) + 2 = <b>6'-0"</b> (1829)	80	70	57	44															
		(A + B) + 2 = <b>5'-6"</b> (1676)	80	77	63	49	41														
		(A + B) + 2 = <b>5'-0"</b> (1524)	80	80	68	53	45														
		(A + B) + 2 = <b>4'-6"</b> (1372)	80	80	77	60	50	40													
		(A + B) + 2 = <b>4'-0"</b> (1219)	80	80	80	66	55	44													
		(A + B) + 2 = <b>3'-6"</b> (1067)	80	80	80	77	65	52	44												
		(A + B) + 2 = <b>3'-0"</b> (914)	80	80	80	80	73	59	50	41											
		(A + B) + 2 = <b>2'-6"</b> (762)	80	80	80	80	80	72	62	51	45										
		(A + B) + 2 = <b>2'-0"</b> (610)	80	80	80	80	80	80	75	61	53	45									
(A + B) + 2 = <b>1'-6"</b> (457)	80	80	80	80	80	80	80	80	74	62											
<b>C = (length of join)</b>	<b>5'-6"</b> (1676)	<b>6'-0"</b> (1829)	<b>6'-6"</b> (1981)	<b>7'-0"</b> (2134)	<b>7'-6"</b> (2286)	<b>8'-0"</b> (2438)	<b>8'-6"</b> (2591)	<b>9'-0"</b> (2743)	<b>9'-6"</b> (2896)	<b>10'-0"</b> (3048)											



When joining hinged inswing or outswing patio doors do not join hinge jamb to hinge jamb.

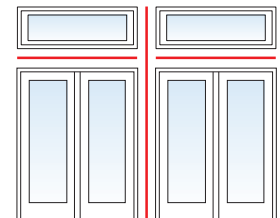


**4 9/16" (116) x 3/4" (19) LVL Joining Material**

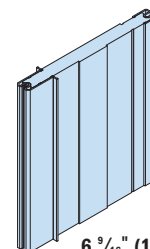
## 2-Way LVL Joining

### A-Series Frenchwood® Patio Doors: Gliding, Hinged Inswing, Hinged Outswing, Transoms and Sidelights

<b>6 9/16" (167) LVL</b>	Average Adjacent Door/Transom/Sidelight Dimension	(A + B) + 2 = <b>10'-0"</b> (3048)	80	80	79	61	52	41													
		(A + B) + 2 = <b>9'-6"</b> (2896)	80	80	80	65	55	44													
		(A + B) + 2 = <b>9'-0"</b> (2743)	80	80	80	68	57	46													
		(A + B) + 2 = <b>8'-6"</b> (2591)	80	80	80	73	61	49	42												
		(A + B) + 2 = <b>8'-0"</b> (2438)	80	80	80	76	64	51	44												
		(A + B) + 2 = <b>7'-6"</b> (2286)	80	80	80	80	69	55	48												
		(A + B) + 2 = <b>7'-0"</b> (2134)	80	80	80	80	73	59	50	41											
		(A + B) + 2 = <b>6'-6"</b> (1981)	80	80	80	80	80	64	55	45											
		(A + B) + 2 = <b>6'-0"</b> (1829)	80	80	80	80	80	68	59	48	42										
		(A + B) + 2 = <b>5'-6"</b> (1676)	80	80	80	80	80	76	65	53	47										
		(A + B) + 2 = <b>5'-0"</b> (1524)	80	80	80	80	80	80	70	58	50	42									
		(A + B) + 2 = <b>4'-6"</b> (1372)	80	80	80	80	80	80	79	65	57	48									
		(A + B) + 2 = <b>4'-0"</b> (1219)	80	80	80	80	80	80	80	72	63	52									
		(A + B) + 2 = <b>3'-6"</b> (1067)	80	80	80	80	80	80	80	80	73	61									
		(A + B) + 2 = <b>3'-0"</b> (914)	80	80	80	80	80	80	80	80	80	69									
		(A + B) + 2 = <b>2'-6"</b> (762)	80	80	80	80	80	80	80	80	80	80									
		(A + B) + 2 = <b>2'-0"</b> (610)	80	80	80	80	80	80	80	80	80	80									
(A + B) + 2 = <b>1'-6"</b> (457)	80	80	80	80	80	80	80	80	80	80											
<b>C = (length of join)</b>	<b>5'-6"</b> (1676)	<b>6'-0"</b> (1829)	<b>6'-6"</b> (1981)	<b>7'-0"</b> (2134)	<b>7'-6"</b> (2286)	<b>8'-0"</b> (2438)	<b>8'-6"</b> (2591)	<b>9'-0"</b> (2743)	<b>9'-6"</b> (2896)	<b>10'-0"</b> (3048)											



When joining hinged inswing or outswing patio doors do not join hinge jamb to hinge jamb.



**6 9/16" (167) x 3/4" (19) LVL Joining Material**

- Numerical values in charts represent structural pressure only.
- Dimensions in parentheses are in millimeters.
- Structural performance of any combination is only as high as the lowest structural performance of any individual unit or joining material in the combination.
- Andersen® products must be installed and anchored properly according to joining and installation guides to meet rated structural performance. Refer to product joining and installation guides at andersenwindows.com.

## Performance Standards

The Window and Door Manufacturers Association (WDMA), The American Architectural Manufacturers Association (AAMA) and the Canadian Standards Association (CSA) have jointly released AAMA/WDMA/CSA 101/I.S.2/A440-08; North American Fenestration Standard/Specification for Windows, Doors and Skylights, which calls for using "Performance Grade" as the new rating to describe products that comply to the standard. This new version dated "-08" has been adopted by the 2009 International Building Code (IBC) and the International Residential Code (IRC).

Performance Grade ratings are being used to replace Design Pressure Ratings as the preferred method of measuring product performance throughout the window, door and skylight industry to define products that comply with all of the requirements of the 101/I.S.2/A440 standard.

A product only achieves a "Performance Grade" or "PG" rating if that product complies with not only the structural loading requirement, but all other performance requirements such as air infiltration resistance, water penetration resistance, ease of operation and resistance to forced entry. A "Design Pressure Rating" or "DP" rating will now describe a product rating that has only been tested to structural loading and not air infiltration, water testing or other requirements for Performance Grade.

### Performance Classes

This Standard/Specification defines requirements for four performance classes. The performance classes are designated R, LC, CW, and AW. This classification system provides for several levels of performance. Product selection is always based on the performance requirements of the particular project.

### Elements of Performance Grade (PG) Designations

In order to qualify for a given performance grade (PG), test specimens need to pass all required performance tests for the following, in addition to all required auxiliary (durability) tests (not shown here) for the applicable product type and desired performance class:

**(a) Operating force (if applicable):** minimum and maximum operating force vary by product type and performance class.

**(b) Air leakage resistance:** tested in accordance with ASTM E283 at a test pressure of 1.57 PSF. The allowable air infiltration for R, LC & CW is 0.3 cubic feet per minute per square foot of frame (cfm/ft<sup>2</sup>).

**(c) Water penetration resistance:** tested in accordance with ASTM E547 with the specified test pressure applied per AAMA/WDMA/CSA 101/I.S.2/A440-08. The test consists of four cycles. Each cycle consists of five minutes with pressure applied and one minute with the pressure released, during which the water spray is continuously applied. The water spray shall be uniformly applied at a constant rate of 5.0 U.S. gal/ft<sup>2</sup> · hr.

**(d) Uniform load deflection test:** tested in accordance with ASTM E330 for both positive and negative pressure (pressure defined by AAMA/WDMA/CSA 101/I.S.2/A440-08) with the load maintained for a period of 60 seconds. After loads are removed there shall be no more permanent deformation in excess of 0.4% of its span and no damage to the unit which would make it inoperable.

**Starting with the 2008 specification, design pressure (DP) will only represent the "uniform load deflection test."**

**(e) Uniform load structural test:** tested in accordance with ASTM E330 for both positive and negative pressure (pressure defined by AAMA/WDMA/CSA 101/I.S.2/A440-08) with the load maintained for a period of 10 seconds. After loads are removed there shall be no damage to the unit which would make it inoperable.

**(f) Forced-entry resistance (if applicable):** tested in accordance with ASTM F588 (Windows), F476 (Swinging Doors) and F842 (Sliding Doors) at a performance level 10 rating.

### Maximum Size Tested (MST)

Test size is a factor in determining compliance with this Standard/Specification. Each product type and class has a defined minimum set of requirements. The minimum test size increases with each class (i.e. R, LC, CW or AW).

### Minimum Requirements

The minimum requirements to obtain a Performance Grade (PG) are listed below:

Product Performance Class	Minimum Performance Grade (PG) (PSF)	Minimum Design Pressure (DP) (PSF)	Minimum Structural Test Pressure (STP) (PSF)	Minimum Water Penetration Test Pressure (WTP) (PSF)
<b>Windows and Doors</b>				
<b>R</b>	15	15	22.5	2.25
<b>LC</b>	25	25	37.5	3.75
<b>CW</b>	30	30	45.0	4.50
<b>AW</b>	40	40	60.0	6.00

- "Structural Test Pressure (STP)" is 150% of the Performance Grade (PG) for windows and doors.
- "Water Penetration Test Pressure (WTP)" is 15% of the Performance Grade (PG).

### Optional Higher Performance Grades (PG) & Corresponding Test Pressures (PSF)

	PG20	PG25	PG30	PG35	PG40	PG45	PG50	PG55	PG60
<b>WTP</b>	3.00	3.75	4.50	5.25	6.00	6.75	7.50	8.25	9.00
<b>DP</b>	20	25	30	35	40	45	50	55	60
<b>STP</b>	30.0	37.5	45.0	52.5	60.0	67.5	75.0	82.5	90.0
<b>Air</b>	0.3	0.3	0.3	0.3	0.3	0.3	0.3	0.3	0.3


- Forced Entry Resistance (FER) is always a performance level 10 regardless of Performance Grade (PG).
- Minimum and maximum Operating Force varies by product type.

## Hallmark Certification

The Window and Door Manufacturers Association (WDMA) sponsored Hallmark Certification Program is designed to provide builders, architects, specifiers and consumers with an easily recognizable means of identifying products that have been manufactured in accordance with the appropriate WDMA and other referenced performance standards. Conformance is determined by periodic in-plant inspections by a third party administrator. The inspections include auditing licensee quality control procedures and processes, and a review to confirm products are manufactured in accordance with the appropriate performance standards. Periodic testing of representative product constructions and components by a third party testing laboratory is also required. When all of the program requirements are met, the licensee is authorized to use the WDMA Hallmark registered logo on the Certification Label as a means of identifying products.

Products successfully obtaining Hallmark Certification will be labeled with a 3-part code, which includes performance class, performance grade and maximum size tested.

Below is a sample certification label:

	Andersen Corporation 400 SERIES CASEMENT WINDOW Manufacturer Stipulates Conformance as indicated below
	<b>RATING</b>
<b>STANDARD</b>	CLASS LC <sup>(1)</sup> - PG70 <sup>(2)</sup> - SIZE TESTED 31.5 X 71.9 in. <sup>(3)</sup> DP+70/-70 <sup>(4)</sup>
AAMA/WDMA/CSA 101/I.S.2/A440-08	C-LC70 DP + 70/-70
AAMA/WDMA/CSA 101/I.S.2/A440-05	Wind Zone 4, Missile Level D, Design Pressure 70/70 psf
ASTM E1886-02 / ASTM E1996-02	

- (1) - Performance Class
- (2) - Performance Grade
- (3) - Size Tested
- (4) - Design Pressure

In the example above, the performance class is LC, the performance grade (PG) is 70 PSF and the size tested is 31.5" x 71.9". What this means to the specifier is, based on the optional higher performance grade chart, the laboratory tested air infiltration was less than 0.3 cfm/ft<sup>2</sup> (test pressure is always 1.57 PSF and the allowable airflow is 0.3 cfm/ft<sup>2</sup>), the product tested successfully resisted a laboratory water penetration test at a test pressure of 10.5 PSF (test pressure equals 15% of PG), the product tested successfully withstood a laboratory positive and negative structural test at a pressure of 105 PSF (test pressure equals 150% of performance grade) in both the positive and negative directions and the product tested passed the laboratory requirements for operational force and forced entry resistance. Based on this test, all products smaller in both width and height can be labeled with this product performance rating.

## Important

Building codes prescribe Performance Grade (PG) based on a variety of criteria (i.e. windspeed zone, building height, etc.), therefore structural test pressures should **not** be used for code compliance. In the example above, a PG 70 performance grade rating, which passes a 70 PSF design pressure, should be used for determining code compliance, not the structural test pressure of 105 PSF.

If you need further details about how Andersen® products perform to this standard, contact your Andersen supplier.

If you need further information about the AAMA/WDMA/CSA 101/I.S.2/A440-08 standard or the Hallmark Certification Program please contact: WDMA, 401 N. Michigan Avenue, Suite 2200 Chicago, IL 60611 Phone: 312-321-6802 Web: wdma.com

Where designated, Andersen products are tested, certified and labeled to the requirements of the Hallmark Certification Program. Actual performance may vary based on variations in manufacturing, shipping, installation, environmental conditions and conditions of use.

## Performance Grade, Air Infiltration and Sound Transmission Ratings

### A-Series Windows with Low-E4® Impact-Resistant Glass

For current performance information please visit [andersenwindows.com](http://andersenwindows.com).

Andersen® Product	AAMA/WDMA/CSA 101/IS2/A440 Performance Grade (PG)	Corresponding Design Pressure (DP)	MIAMI-DADE COUNTY TAS201, 202, 203	Sound Transmission Class (STC)	Outdoor/Indoor Transmission Class (OITC)	Air Infiltration CFM/FT <sup>2</sup>
<b>Casement</b>	Class LC-PG70 Size Tested 35.3" x 71.3"	70/70	70/70	33	24	<0.3
<b>Awning</b>	Class LC-PG70 Size Tested 59.3" x 31.3"	70/70	70/70	33	30	<0.3
<b>Double-Hung</b>	Class LC-PG70 Size Tested 47.3" x 95.3"	70/70	70/70	32	29	< 0.3
<b>Picture</b>	Class LC -PG70 Size Tested 71.3" x 79.3"	70/70	70/70	34	31	< 0.3
<b>Picture</b>	Class LC -PG65 Size Tested 71.3" x 95.3"	65/65	65/65	34	31	< 0.3
<b>Stationary Transom</b>	Class R -PG70 Size Tested 55.3" x 55.3"	70/70	70/70	33	29	< 0.3
<b>Venting Transom</b>	Class R-PG70 Size Tested 59.3" x 31.3"	70/70	70/70	33	29	< 0.3
<b>Direct-Set Specialty</b>						
<b>Springline™</b> (up to 50 sq. ft.)	Class LC-PG70 Size Tested 60" x 120"	70/80	70/80	37	31	< 0.3
<b>Springline™</b> (up to 36 sq. ft.)	Class LC-PG70 Size Tested 54" x 96"	70/70	70/70	36	31	< 0.3
<b>Springline™</b> (up to 15 sq. ft.)	Class LC-PG70 Size Tested 36" x 60"	70/70	70/70	35	30	< 0.3
<b>Arch</b> (up to 50 sq. ft.)	Class LC-PG70 Size Tested 60" x 120"	70/80	70/80	37	31	< 0.3
<b>Arch</b> (up to 36 sq. ft.)	Class LC-PG70 Size Tested 54" x 96"	70/70	70/70	36	31	< 0.3
<b>Arch</b> (up to 15 sq. ft.)	Class LC-PG70 Size Tested 36" x 60"	70/70	70/70	35	30	< 0.3
<b>Sash-Set Specialty</b>						
<b>Springline™</b> (up to 50 sq. ft.)	Class LC-PG70 Size Tested 60" x 120"	70/80	70/80	37	34	< 0.3
<b>Springline™</b> (up to 36 sq. ft.)	Class LC-PG70 Size Tested 54" x 96"	70/70	70/70	37	34	< 0.3
<b>Springline™</b> (up to 15 sq. ft.)	Class LC-PG70 Size Tested 36" x 96"	70/70	70/70	36	32	< 0.3
<b>Arch</b> (up to 50 sq. ft.)	Class LC-PG70 Size Tested 60" x 120"	70/80	70/80	37	34	< 0.3
<b>Arch</b> (up to 36 sq. ft.)	Class LC-PG70 Size Tested 54" x 96"	70/70	70/70	37	34	< 0.3
<b>Arch</b> (up to 15 sq. ft.)	Class LC-PG70 Size Tested 36" x 96"	70/70	70/70	36	32	< 0.3

- "Performance Grade (PG)" ratings may vary from tested performance rating for larger or smaller units of a particular type.
- "Sound Transmission Class (STC)" & "Outdoor/Indoor Transmission Class (OITC)" ratings are for individual units based on independent tests and represent entire unit.
- This data is accurate as of October, 2013. Due to ongoing product changes, updated test results, or new industry standards, this data may change over time.
- Where designated, Andersen products are certified and labeled to the requirements of the Hallmark Certification Program. Actual performance may vary based on variations in manufacturing, shipping, installation, environmental conditions and conditions of use.
- Contact your Andersen supplier for more information.
- All impact-resistant glass units tested to Large Missile D, Wind Zone 4 and High Velocity Hurricane Zone (HVHZ) requirements of Florida.

## Performance Grade, Air Infiltration and Sound Transmission Ratings

### 400 Series Windows with Low-E4® Impact-Resistant Glass and Performance Upgrades

For current performance information please visit [andersenwindows.com](http://andersenwindows.com).

Andersen® Product	AAMA/WDMA/CSA 101/IS2/A440 Performance Grade (PG)	Corresponding Design Pressure (DP)	MIAMI-DADE COUNTY TAS201, 202, 203	Sound Transmission Class (STC)	Outdoor/Indoor Transmission Class (OITC)	Air Infiltration CFM/FT <sup>2</sup>
<b>Windows</b>						
<b>Casement</b>	Class LC-PG70 Size Tested 31.5" x 71.9"	70/70	–	30	26	< 0.3
<b>Casement Transom</b>	Class LC-PG70 Size Tested 56.5" x 12"	70/70	–	35	30	< 0.3
<b>Casement, PG Upgrade</b>	Class LC-PG70 Size Tested 31.5" x 71.9"	70/70	–	26	22	< 0.3
<b>Casement, PG Upgrade</b>	Class LC-PG70 Size Tested 71.9" x 59.9"	70/70	–	26	22	< 0.3
<b>Casement Stationary, PG Upgrade</b>	Class LC-PG70 Size Tested 35.9" x 71.9"	70/70	–	26	22	< 0.3
<b>Awning</b>	Class LC-PG60 Size Tested 84.5" x 31.5"	60/65	–	30	26	< 0.3
<b>Awning, PG Upgrade</b>	Class LC-PG60 Size Tested 84.5" x 31.5"	60/65	–	26	21	< 0.3

continued on next page

**Performance Grade, Air Infiltration and Sound Transmission Ratings** *(continued)*

400 Series Windows with Low-E4<sup>®</sup> Impact-Resistant Glass and Performance Upgrades

For current performance information please visit [andersenwindows.com](http://andersenwindows.com).

Andersen <sup>®</sup> Product	AAMA/WDMA/CSA 101/IS2/A440 Performance Grade (PG)	Corresponding Design Pressure (DP)	MIAMI-DADE COUNTY TAS201, 202, 203	Sound Transmission Class (STC)	Outdoor/Indoor Transmission Class (OITC)	Air Infiltration CFM/FT <sup>2</sup>
Case ment/Awning Picture	Class LC-PG70 Size Tested 71.5" x 59.9"	70/70	–	35	30	< 0.3
Tilt-Wash Double-Hung	Class LC-PG50 Size Tested 45.6" x 76.9"	50/65	–	32	28	< 0.3
Tilt-Wash Double-Hung, PG Upgrade	Class LC-PG50 Size Tested 45.6" x 76.9"	50/55	–	26	23	< 0.3
Tilt-Wash Double-Hung, PG Upgrade	Class LC-PG50 Size Tested 37.6" x 76.9"	50/65	–	26	23	< 0.3
Tilt-Wash Double-Hung, PG Upgrade	Class LC-PG50 Size Tested 45.6" x 64.9"	50/65	–	26	23	< 0.3
Tilt-Wash Transom	Class LC-PG50 Size Tested 45.5" x 39.3"	50/65	–	33	28	< 0.3
Tilt-Wash Picture	Class LC-PG50 Size Tested 67.3" x 76.9"	50/65	–	33	29	< 0.3
Half Circle – Double-Hung	Class SP-PG50 Size Tested 75.4" x 40.0"	50/65	–	–	–	< 0.3
Oval & Half Circle – Casement/Awning	Class LC-PG70 Size Tested 71.5" x 59.9"	70/70	–	35	30	< 0.3
Springline™	Class LC-PG70 Size Tested 96" x 72"	70/70	–	–	–	< 0.3
Flexiframe <sup>®</sup>	Class LC-PG70 Size Tested 120" x 60"	70/70	–	35	29	< 0.3
Flexiframe <sup>®</sup>	Class LC-PG70 Size Tested 72" x 84"	70/70	–	35	29	< 0.3

- "Performance Grade (PG)" ratings may vary from tested performance rating for larger or smaller units of a particular type.
- "Sound Transmission Class (STC)" & "Outdoor/Indoor Transmission Class (OITC)" ratings are for individual units based on independent tests and represent entire unit.
- This data is accurate as of October, 2013. Due to ongoing product changes, updated test results, or new industry standards, this data may change over time.
- Where designated, Andersen products are certified and labeled to the requirements of the Hallmark Certification Program. Actual performance may vary based on variations in manufacturing, shipping, installation, environmental conditions and conditions of use.
- Contact your Andersen supplier for more information.
- All impact-resistant glass units, except Tilt-Wash, tested to Large Missile D, Wind Zone 4.

Combination  
Designs & Product  
Performance

**Performance Grade, Air Infiltration and Sound Transmission Ratings**

400 Series Windows with Monolithic Impact-Resistant Glass

For current performance information please visit [andersenwindows.com](http://andersenwindows.com).

Andersen <sup>®</sup> Product	AAMA/WDMA/CSA 101/IS2/A440 Performance Grade (PG)	Corresponding Design Pressure (DP)	MIAMI-DADE COUNTY TAS201, 202, 203	Sound Transmission Class (STC)	Outdoor/Indoor Transmission Class (OITC)	Air Infiltration CFM/FT <sup>2</sup>
<b>Windows</b>						
Case ment (CW25)	Class LC-PG70 Size Tested 56.5" x 59.8"	70/70	60/64	34	29	< 0.3
Case ment (C35)	Class LC-PG70 Size Tested 71.9" x 59.9"	70/70	60/64	34	29	< 0.3
Case ment (CXW145)	Class LC-PG70 Size Tested 35.9" x 52.8"	70/70	60/65	34	29	< 0.3
Case ment (CX16)	Class LC-PG70 Size Tested 31.5" x 71.9"	70/70	50/65	34	29	< 0.3
Awning (A313)	Class LC-PG60 Size Tested 35" x 71"	60/65	–	34	31	< 0.3
Awning (AX3251)	Class LC-PG60 Size Tested 84" x 31"	60/65	–	34	31	< 0.3
Awning (AW51)	–	–	67/82	34	31	< 0.3
Awning (AX51)	–	–	60/65	34	31	< 0.3
Case ment/Awning Picture	Class LC-PG70 Size Tested 59.9" x 71.9"	70/70	60/65	37	34	< 0.3
Tilt-Wash Double-Hung (TW3862)	Class LC-PG50 Size Tested 45.8" x 76.9"	50/65	–	–	–	< 0.3
Half Circle – Casement/Awning	Class LC-PG70 Size Tested 71.9" x 38.3"	70/70	–	37	34	< 0.3
Springline™	–	–	67/70	36	32	< 0.3
Flexiframe <sup>®</sup>	–	–	67/71	36	32	< 0.3

- "Performance Grade (PG)" ratings may vary from tested performance rating for larger or smaller units of a particular type.
- "Sound Transmission Class (STC)" & "Outdoor/Indoor Transmission Class (OITC)" ratings are for individual units based on independent tests and represent entire unit.
- This data is accurate as of October, 2013. Due to ongoing product changes, updated test results, or new industry standards, this data may change over time.
- Where designated, Andersen products are certified and labeled to the requirements of the Hallmark Certification Program. Actual performance may vary based on variations in manufacturing, shipping, installation, environmental conditions and conditions of use.
- Contact your Andersen supplier for more information.
- All impact-resistant glass units, except Tilt-Wash, tested to Large Missile D, Wind Zone 4 and/or High Velocity Hurricane Zone (HVHZ) requirements of Florida.

## Performance Grade, Air Infiltration and Sound Transmission Ratings

### A-Series Frenchwood® Patio Doors with Low-E4® Impact-Resistant Glass with Performance Upgrades

For current performance information please visit [andersenwindows.com](http://andersenwindows.com).

Andersen® Product	AAMA/WDMA/CSA 101/IS2/A440 Performance Grade (PG)	Corresponding Design Pressure (DP)	MIAMI-DADE COUNTY TAS201, 202, 203	Sound Transmission Class (STC)	Outdoor/Indoor Transmission Class (OITC)	Air Infiltration CFM/FT <sup>2</sup>
<b>Frenchwood® Gliding Patio Door</b>						
<b>Single, Stationary</b> (611, 80)	Class LC-PG70 Size Tested 50.4" x 95.5"	70/80	65/80	36	31	< 0.3
<b>Two-Panel</b> (611)	Class LC-PG70 Size Tested 95.3" x 82.5"	70/80	70/80	31	29	< 0.3
<b>Two-Panel</b> (80)	Class LC-PG70 Size Tested 95.3" x 95.5"	70/70	70/70	31	29	< 0.3
<b>Three-Panel</b> (611)	Class LC-PG60 Size Tested 141.0" x 82.5"	60/70	65/70	†	†	< 0.3
<b>Three-Panel</b> (80)	Class LC-PG50 Size Tested 141.0" x 95.5"	50/50	50/50	†	†	< 0.3
<b>Four-Panel</b> (611)	Class LC-PG65 Size Tested 189.0" x 82.4"	65/70	65/70	†	†	< 0.3
<b>Four-Panel</b> (80)	Class LC-PG50 Size Tested 189.0" x 95.5"	50/50	50/50	†	†	< 0.3
<b>Frenchwood® Hinged Inswing Patio Door</b>						
<b>Single, Stationary</b> (611)	Class LC-PG65 Size Tested 38.0" x 82.5"	65/80	65/80	34	30	< 0.3
<b>Single, Stationary</b> (80)	Class LC-PG65 Size Tested 38.0" x 95.5"	65/70	65/70	34	30	< 0.3
<b>Single, Active</b> (611)	Class LC-PG65 Size Tested 38.0" x 82.5"	65/80	65/80	34	30	< 0.3
<b>Single, Active</b> (80)	Class LC-PG65 Size Tested 38.0" x 95.5"	65/70	65/70	34	30	< 0.3
<b>Two-Panel, AP/PA</b> (611)	Class LC-PG65 Size Tested 75.3" x 82.5"	65/80	65/80	33	30	< 0.3
<b>Two-Panel, AP/PA</b> (80)	Class LC-PG65 Size Tested 75.3" x 95.5"	65/70	65/70	33	30	< 0.3
<b>Two-Panel, AS/SA/SS</b> (611)	Class LC-PG65 Size Tested 75.3" x 82.5"	65/80	–	33	30	< 0.3
<b>Two-Panel, AS/SA/SS</b> (80)	Class LC-PG65 Size Tested 75.3" x 95.5"	65/70	–	33	30	< 0.3
<b>Frenchwood® Hinged Outswing Patio Door</b>						
<b>Single, Stationary</b> (611, 80)	Class LC-PG65 Size Tested 38.0" x 95.5"	65/80	65/80	35	30	< 0.3
<b>Single, Active</b> (611)	Class R-PG65 Size Tested 38.0" x 82.5"	65/80	65/80	35	30	< 0.3
<b>Single, Active</b> (80)	Class R-PG65 Size Tested 38.0" x 95.3"	65/70	65/70	35	30	< 0.3
<b>Two-Panel</b> (611)	Class LC-PG65 Size Tested 75.3" x 82.5"	65/80	65/80	34	30	< 0.3
<b>Two-Panel</b> (80)	Class LC-PG65 Size Tested 75.3" x 95.5"	65/70	65/70	34	30	< 0.3
<b>Frenchwood® Patio Door Sidelights &amp; Transoms</b>						
<b>Transom</b>	Class LC-PG70 Size Tested 112.0" x 27.0"	70/80	70/80	†	†	< 0.3
<b>Sidelight Transom</b>	Class LC-PG70 Size Tested 18.0" x 27.0"	70/80	70/80	†	†	< 0.3
<b>Sidelight</b> (611, 80)	Class LC-PG65 Size Tested 18.0" x 95.5"	65/80	65/80	†	†	< 0.3

- "Performance Grade (PG)" ratings may vary from tested performance rating for larger or smaller units of a particular type.
- "Sound Transmission Class (STC)" & "Outdoor/Indoor Transmission Class (OITC)" ratings are for individual units based on independent tests and represent entire unit.
- This data is accurate as of October, 2013. Due to ongoing product changes, updated test results, or new industry standards, this data may change over time.
- Where designated, Andersen products are certified and labeled to the requirements of the Hallmark Certification Program. Actual performance may vary based on variations in manufacturing, shipping, installation, environmental conditions and conditions of use.
- Contact your Andersen supplier for more information.
- All impact-resistant glass units, except Sidelight Transom, tested to Large Missile D, Wind Zone 4 and High Velocity Hurricane Zone (HVHZ) requirements of Florida.
- † Information not available at time of printing.



**Performance Grade, Air Infiltration and Sound Transmission Ratings**

A-Series Frenchwood® Patio Doors with Monolithic Impact-Resistant Glass

For current performance information please visit [andersenwindows.com](http://andersenwindows.com).

Andersen® Product	AAMA/WDMA/CSA 101/IS2/A440 Performance Grade (PG)	Corresponding Design Pressure (DP)	MIAMI-DADE COUNTY TAS201, 202, 203	Sound Transmission Class (STC)	Outdoor/Indoor Transmission Class (OITC)	Air Infiltration CFM/FT <sup>2</sup>
<b>Frenchwood® Gliding Patio Door</b>						
Single, Stationary (611, 80)	–	–	65/80	–	–	< 0.3
Two-Panel (611)	–	–	70/80	–	–	< 0.3
Two-Panel (80)	–	–	70/70	–	–	< 0.3
Three-Panel (611)	–	–	65/70	–	–	< 0.3
Three-Panel (80)	–	–	50/50	–	–	< 0.3
Four-Panel (611)	–	–	65/70	–	–	< 0.3
Four-Panel (80)	–	–	50/50	–	–	< 0.3
<b>Frenchwood® Hinged Inswing Patio Door</b>						
Single, Stationary (611)	–	–	65/80	–	–	< 0.3
Single, Stationary (80)	–	–	65/70	–	–	< 0.3
Single, Active (611)	–	–	65/80	–	–	< 0.3
Single, Active (80)	–	–	65/70	–	–	< 0.3
Two-Panel, AP/PA (611)	–	–	65/80	–	–	< 0.3
Two-Panel, AP/PA (80)	–	–	65/70	–	–	< 0.3
Two-Panel, AS/SA/SS (611)	–	–	–	–	–	–
Two-Panel, AS/SA/SS (80)	–	–	–	–	–	–
<b>Frenchwood® Hinged Outswing Patio Door</b>						
Single, Stationary (611, 80)	–	–	65/80	–	–	< 0.3
Single, Active (611)	–	–	65/80	–	–	< 0.3
Single, Active (80)	–	–	65/70	–	–	< 0.3
Two-Panel (611)	–	–	65/80	–	–	< 0.3
Two-Panel (80)	–	–	65/70	–	–	< 0.3
<b>Frenchwood® Patio Door Sidelights &amp; Transoms</b>						
Transom	–	–	70/80	–	–	< 0.3
Sidelight Transom	–	–	70/80	–	–	< 0.3
Sidelight (611, 80)	–	–	65/80	–	–	< 0.3
Venting Transom	–	–	50/50	–	–	< 0.3

- "Performance Grade (PG)" ratings may vary from tested performance rating for larger or smaller units of a particular type.
- "Sound Transmission Class (STC)" & "Outdoor/Indoor Transmission Class (OITC)" ratings are for individual units based on independent tests and represent entire unit.
- This data is accurate as of October, 2013. Due to ongoing product changes, updated test results, or new industry standards, this data may change over time.
- Where designated, Andersen products are certified and labeled to the requirements of the Hallmark Certification Program. Actual performance may vary based on variations in manufacturing, shipping, installation, environmental conditions and conditions of use.
- Contact your Andersen supplier for more information.
- All impact-resistant glass units tested to High Velocity Hurricane Zone (HVHZ) requirements of Florida.

Combination  
Designs & Product  
Performance

## Center of Glass Performance Data for products with Low-E4® Impact-Resistant Glass

For current performance information please visit [andersenwindows.com](http://andersenwindows.com).

Andersen® Product	Visible Light <sup>1</sup>	SC <sup>2</sup>	SHGC <sup>3</sup>	RHG <sup>4</sup>	Fading		%RH @ center <sup>7</sup>	IGST <sup>8</sup>
					Tuv <sup>5</sup>	Tdw <sup>6</sup>		
<b>A-Series Windows</b>								
Caseмент	70%	0.47	0.40	97	< 1%	21%	55%	53°F
Awning	70%	0.47	0.40	97	< 1%	21%	55%	53°F
Double-Hung	70%	0.47	0.40	97	< 1%	21%	55%	53°F
Stationary Transom	70%	0.47	0.40	97	< 1%	21%	55%	53°F
Venting Transom	70%	0.47	0.40	97	< 1%	21%	55%	53°F
Picture	70%	0.47	0.40	97	< 1%	21%	55%	53°F
Specialty	70%	0.47	0.40	97	< 1%	21%	55%	53°F
<b>400 Series Windows</b>								
Caseмент, Awning	71%	0.47	0.41	99	< 1%	21%	51%	51°F
Caseмент/Awning Picture	68%	0.47	0.41	96	< 1%	22%	62%	56°F
Tilt-Wash Double-Hung	71%	0.47	0.41	99	< 1%	21%	51%	51°F
Tilt-Wash Transom	70%	0.46	0.40	96	< 1%	21%	59%	55°F
Tilt-Wash Picture	70%	0.47	0.41	97	< 1%	22%	57%	54°F
Circle, Half Circle, Oval	71%	0.47	0.41	96	< 1%	22%	62%	56°F
Springline™	67%	0.45	0.39	93	< 1%	21%	62%	56°F
Arch, Flexframe®	67%	0.45	0.39	93	< 1%	21%	62%	56°F
<b>A-Series Frenchwood® Patio Doors, Patio Door Transoms &amp; Sidelights and Venting Transom Windows</b>								
Gliding	69%	0.46	0.40	97	< 1%	17%	57%	54°F
Hinged Inswing	70%	0.47	0.40	97	< 1%	21%	55%	53°F
Hinged Outswing	70%	0.47	0.40	97	< 1%	21%	55%	53°F
Transom	70%	0.47	0.40	97	< 1%	21%	55%	53°F
Sidelight	70%	0.47	0.40	97	< 1%	21%	55%	53°F
Venting Transom	70%	0.47	0.40	97	< 1%	21%	55%	53°F

• "Low-E4", "Low-E4 SmartSun™" and "Low-E4 Sun" are Andersen trademarks for "Low-E" glass.

• Based on NFRC testing/simulation conditions using Windows 5.2 and NFRC validated spectral data. 0°F outside temperature, 70°F inside temperature and a 15 mph wind.

1 Visible Transmittance (VT) measures how much light comes through the glass. The higher the value, from 0 to 1, the more daylight the glass lets in. Visible Transmittance is measured over the 380 to 760 nanometer portion of the solar spectrum.

2 Shading Coefficient defines the amount of heat gain through the glass compared to a single lite of clear 1/8" (3 mm) glass.

3 Solar Heat Gain Coefficient (SHGC) defines the fraction of solar radiation admitted through the glass both directly transmitted and absorbed and subsequently released inward. The lower the value, the less heat is transmitted through the glass.

4 Relative Heat Gain is the amount of heat gain through a glazing incorporating U-Factor and Solar Heat Gain Coefficient.

5 Transmission Ultra-Violet Energy (TUV). The transmission of short wave energy in the 300-380 nanometer portion of the solar spectrum. The energy can cause fabric fading.

6 Transmission Damage Function (TDW). The transmission of UV and visible light energy in the 300-600 nanometer portion of the solar spectrum. The value includes both the UV and visible light energy that can cause fabric fading. This rating has also been referred to as the Krockmann Damage Function. This rating better predicts fading potential than UV transmission alone. The lower the Damage Function rating, the less transmission of short wave energy through the glass that can potentially cause fabric fading. Fabric type is also a key component of fading potential.

7 Percent relative humidity before condensation occurs at the center of glass, taken using center of glass temperature.

8 Inside glass surface temperatures are taken at the center of glass.

• This data is accurate as of October, 2013. Due to ongoing product changes, updated test results, or new industry standards, this data may change over time. Contact your Andersen supplier for current performance information or upgrade options.

**Center of Glass Performance Data** for products with **Low-E4<sup>®</sup> SmartSun Impact-Resistant Glass**

For current performance information please visit [andersenwindows.com](http://andersenwindows.com).

Andersen <sup>®</sup> Product	Visible Light <sup>1</sup>	SC <sup>2</sup>	SHGC <sup>3</sup>	RHG <sup>4</sup>	Fading		%RH @ center <sup>7</sup>	IGST <sup>8</sup>
					Tuv <sup>5</sup>	Tdw <sup>6</sup>		
<b>A-Series Windows</b>								
Caseмент	63%	0.32	0.27	67	< 1%	16%	57%	54°F
Awning	63%	0.32	0.27	67	< 1%	16%	57%	54°F
Double-Hung	63%	0.32	0.27	67	< 1%	16%	57%	54°F
Stationary Transom	63%	0.32	0.27	67	< 1%	16%	57%	54°F
Venting Transom	63%	0.32	0.27	67	< 1%	16%	57%	54°F
Picture	63%	0.32	0.27	67	< 1%	16%	57%	54°F
Specialty	63%	0.32	0.27	67	< 1%	16%	57%	54°F
<b>400 Series Windows</b>								
Caseмент, Awning	64%	0.32	0.28	68	< 1%	16%	53%	52°F
Caseмент/Awning Picture	62%	0.31	0.27	65	< 1%	16%	62%	56°F
Tilt-Wash Double-Hung	64%	0.32	0.28	68	< 1%	16%	53%	52°F
Tilt-Wash Transom	63%	0.31	0.27	66	< 1%	16%	62%	56°F
Tilt-Wash Picture	63%	0.32	0.28	67	< 1%	17%	57%	54°F
Circle, Half Circle, Oval	62%	0.31	0.27	65	< 1%	16%	62%	56°F
Springline™	61%	0.31	0.27	64	< 1%	16%	62%	56°F
Arch, Flexframe™	61%	0.31	0.27	64	< 1%	16%	62%	56°F
<b>A-Series Frenchwood<sup>®</sup> Patio Doors, Patio Door Transoms &amp; Sidelights and Venting Transom Windows</b>								
Gliding	63%	0.32	0.27	67	< 1%	14%	57%	54°F
Hinged Inswing	63%	0.32	0.27	67	< 1%	16%	57%	54°F
Hinged Outswing	63%	0.32	0.27	67	< 1%	16%	57%	54°F
Transom	63%	0.32	0.27	67	< 1%	16%	57%	54°F
Sidelight	63%	0.32	0.27	67	< 1%	16%	57%	54°F
Venting Transom	63%	0.32	0.27	67	< 1%	16%	57%	54°F

• "Low-E4<sup>®</sup>", "Low-E4<sup>®</sup> SmartSun™" and "Low-E4<sup>®</sup> Sun" are Andersen trademarks for "Low-E" glass.

• Based on NFRC testing/simulation conditions using Windows 5.2 and NFRC validated spectral data. 0°F outside temperature, 70°F inside temperature and a 15 mph wind.

1 Visible Transmittance (VT) measures how much light comes through the glass. The higher the value, from 0 to 1, the more daylight the glass lets in. Visible Transmittance is measured over the 380 to 760 nanometer portion of the solar spectrum.

2 Shading Coefficient defines the amount of heat gain through the glass compared to a single lite of clear 1/8" (3 mm) glass.

3 Solar Heat Gain Coefficient (SHGC) defines the fraction of solar radiation admitted through the glass both directly transmitted and absorbed and subsequently released inward. The lower the value, the less heat is transmitted through the glass.

4 Relative Heat Gain is the amount of heat gain through a glazing incorporating U-Factor and Solar Heat Gain Coefficient.

5 Transmission Ultra-Violet Energy (TUV). The transmission of short wave energy in the 300-380 nanometer portion of the solar spectrum. The energy can cause fabric fading.

6 Transmission Damage Function (TDW). The transmission of UV and visible light energy in the 300-600 nanometer portion of the solar spectrum. The value includes both the UV and visible light energy that can cause fabric fading. This rating has also been referred to as the Krochmann Damage Function. This rating better predicts fading potential than UV transmission alone. The lower the Damage Function rating, the less transmission of short wave energy through the glass that can potentially cause fabric fading. Fabric type is also a key component of fading potential.

7 Percent relative humidity before condensation occurs at the center of glass, taken using center of glass temperature.

8 Inside glass surface temperatures are taken at the center of glass.

• This data is accurate as of October, 2013. Due to ongoing product changes, updated test results, or new industry standards, this data may change over time. Contact your Andersen supplier for current performance information or upgrade options.

## Center of Glass Performance Data for products with Low-E4® Sun Impact-Resistant Glass

For current performance information please visit [andersenwindows.com](http://andersenwindows.com).

Andersen® Product	Visible Light <sup>1</sup>	SC <sup>2</sup>	SHGC <sup>3</sup>	RHG <sup>4</sup>	Fading		%RH @ center <sup>7</sup>	IGST <sup>8</sup>
					Tuv <sup>5</sup>	Tdw <sup>6</sup>		
<b>A-Series Windows</b>								
Caseмент	38%	0.29	0.25	62	< 1%	13%	55%	53°F
Awning	38%	0.29	0.25	62	< 1%	13%	55%	53°F
Double-Hung	38%	0.29	0.25	62	< 1%	13%	55%	53°F
Stationary Transom	38%	0.29	0.25	62	< 1%	13%	55%	53°F
Venting Transom	38%	0.29	0.25	62	< 1%	13%	55%	53°F
Picture	38%	0.29	0.25	62	< 1%	13%	55%	53°F
Specialty	38%	0.29	0.25	62	< 1%	13%	55%	53°F
<b>400 Series Windows</b>								
Caseмент, Awning	39%	0.30	0.26	64	< 1%	13%	51%	51°F
Caseмент/Awning Picture	38%	0.28	0.25	60	< 1%	14%	59%	55°F
Tilt-Wash Double-Hung	39%	0.30	0.26	64	< 1%	13%	51%	51°F
Tilt-Wash Transom	38%	0.28	0.25	60	< 1%	13%	59%	55°F
Tilt-Wash Picture	38%	0.29	0.25	62	< 1%	14%	55%	53°F
Circle, Half Circle, Oval	38%	0.28	0.25	60	< 1%	14%	59%	55°F
Springline™	36%	0.27	0.24	57	< 1%	13%	59%	55°F
Arch, Flexframe®	36%	0.27	0.24	57	< 1%	13%	59%	55°F
<b>A-Series Frenchwood® Patio Doors, Patio Door Transoms &amp; Sidelights and Venting Transom Windows</b>								
Gliding	38%	0.29	0.25	61	< 1%	11%	55%	53°F
Hinged Inswing	38%	0.29	0.25	62	< 1%	13%	55%	53°F
Hinged Outswing	38%	0.29	0.25	62	< 1%	13%	55%	53°F
Transom	38%	0.29	0.25	62	< 1%	13%	55%	53°F
Sidelight	38%	0.29	0.25	62	< 1%	13%	55%	53°F
Venting Transom	38%	0.29	0.25	62	< 1%	13%	55%	53°F

• "Low-E4", "Low-E4 SmartSun™" and "Low-E4 Sun" are Andersen trademarks for "Low-E" glass.

• Based on NFRC testing/simulation conditions using Windows 5.2 and NFRC validated spectral data. 0°F outside temperature, 70°F inside temperature and a 15 mph wind.

1 Visible Transmittance (VT) measures how much light comes through the glass. The higher the value, from 0 to 1, the more daylight the glass lets in. Visible Transmittance is measured over the 380 to 760 nanometer portion of the solar spectrum.

2 Shading Coefficient defines the amount of heat gain through the glass compared to a single lite of clear 1/8" (3 mm) glass.

3 Solar Heat Gain Coefficient (SHGC) defines the fraction of solar radiation admitted through the glass both directly transmitted and absorbed and subsequently released inward. The lower the value, the less heat is transmitted through the glass.

4 Relative Heat Gain is the amount of heat gain through a glazing incorporating U-Factor and Solar Heat Gain Coefficient.

5 Transmission Ultra-Violet Energy (TUV). The transmission of short wave energy in the 300-380 nanometer portion of the solar spectrum. The energy can cause fabric fading.

6 Transmission Damage Function (TDW). The transmission of UV and visible light energy in the 300-600 nanometer portion of the solar spectrum. The value includes both the UV and visible light energy that can cause fabric fading. This rating has also been referred to as the Krockmann Damage Function. This rating better predicts fading potential than UV transmission alone. The lower the Damage Function rating, the less transmission of short wave energy through the glass that can potentially cause fabric fading. Fabric type is also a key component of fading potential.

7 Percent relative humidity before condensation occurs at the center of glass, taken using center of glass temperature.

8 Inside glass surface temperatures are taken at the center of glass.

• This data is accurate as of October, 2013. Due to ongoing product changes, updated test results, or new industry standards, this data may change over time. Contact your Andersen supplier for current performance information or upgrade options.

**Center of Glass Performance Data** for products with **Monolithic Impact-Resistant Glass - Clear**

For current performance information please visit [andersenwindows.com](http://andersenwindows.com).

Andersen <sup>®</sup> Product	Visible Light <sup>1</sup>	SC <sup>2</sup>	SHGC <sup>3</sup>	RHG <sup>4</sup>	Fading		%RH @ center <sup>7</sup>	IGST <sup>8</sup>
					Tuv <sup>5</sup>	Tdw <sup>6</sup>		
<b>400 Series Windows</b>								
Caseмент, Awning	88%	0.87	0.75	185	< 1%	23%	14%	19°F
Caseмент/Awning Picture	86%	0.82	0.72	176	< 1%	22%	15%	20°F
Circle, Half Circle, Oval	86%	0.82	0.72	176	< 1%	22%	15%	20°F
Springline <sup>™</sup> , Arch, Flexframe <sup>®</sup>	86%	0.82	0.72	176	< 1%	22%	15%	20°F
<b>A-Series Frenchwood<sup>®</sup> Patio Doors, Patio Door Transoms &amp; Sidelights</b>								
Gliding	86%	0.82	0.72	176	< 1%	22%	15%	20°F
Hinged Inswing	86%	0.82	0.72	176	< 1%	22%	15%	20°F
Hinged Outswing	86%	0.82	0.72	176	< 1%	22%	15%	20°F
Transom	86%	0.82	0.72	176	< 1%	22%	15%	20°F
Sidelight	86%	0.82	0.72	176	< 1%	22%	15%	20°F

**Center of Glass Performance Data** for products with **Monolithic Impact-Resistant Glass - Gray**

For current performance information please visit [andersenwindows.com](http://andersenwindows.com).

Andersen <sup>®</sup> Product	Visible Light <sup>1</sup>	SC <sup>2</sup>	SHGC <sup>3</sup>	RHG <sup>4</sup>	Fading		%RH @ center <sup>7</sup>	IGST <sup>8</sup>
					Tuv <sup>5</sup>	Tdw <sup>6</sup>		
<b>400 Series Windows</b>								
Caseмент, Awning	44%	0.70	0.61	151	< 1%	17%	14%	19°F
Caseмент/Awning Picture	44%	0.67	0.58	145	< 1%	17%	15%	20°F
Circle, Half Circle, Oval	44%	0.67	0.58	145	< 1%	17%	15%	20°F
Springline <sup>™</sup> , Arch, Flexframe <sup>®</sup>	44%	0.67	0.58	145	< 1%	17%	15%	20°F
<b>A-Series Frenchwood<sup>®</sup> Patio Doors, Patio Door Transoms &amp; Sidelights</b>								
Gliding	44%	0.67	0.58	145	< 1%	17%	15%	20°F
Hinged Inswing	44%	0.67	0.58	145	< 1%	17%	15%	20°F
Hinged Outswing	44%	0.67	0.58	145	< 1%	17%	15%	20°F
Transom	44%	0.67	0.58	145	< 1%	17%	15%	20°F
Sidelight	44%	0.67	0.58	145	< 1%	17%	15%	20°F

- "Low-E4<sup>™</sup>", "Low-E4<sup>®</sup> SmartSun<sup>™</sup>" and "Low-E4<sup>®</sup> Sun" are Andersen trademarks for "Low-E" glass.
- Based on NFRC testing/simulation conditions using Windows 5.2 and NFRC validated spectral data. 0°F outside temperature, 70°F inside temperature and a 15 mph wind.
- 1 Visible Transmittance (VT) measures how much light comes through the glass. The higher the value, from 0 to 1, the more daylight the glass lets in. Visible Transmittance is measured over the 380 to 760 nanometer portion of the solar spectrum.
- 2 Shading Coefficient defines the amount of heat gain through the glass compared to a single lite of clear 1/8" (3 mm) glass.
- 3 Solar Heat Gain Coefficient (SHGC) defines the fraction of solar radiation admitted through the glass both directly transmitted and absorbed and subsequently released inward. The lower the value, the less heat is transmitted through the glass.
- 4 Relative Heat Gain is the amount of heat gain through a glazing incorporating U-Factor and Solar Heat Gain Coefficient.
- 5 Transmission Ultra-Violet Energy (TUV). The transmission of short wave energy in the 300-380 nanometer portion of the solar spectrum. The energy can cause fabric fading.
- 6 Transmission Damage Function (TDW). The transmission of UV and visible light energy in the 300-600 nanometer portion of the solar spectrum. The value includes both the UV and visible light energy that can cause fabric fading. This rating has also been referred to as the Krockmann Damage Function. This rating better predicts fading potential than UV transmission alone. The lower the Damage Function rating, the less transmission of short wave energy through the glass that can potentially cause fabric fading. Fabric type is also a key component of fading potential.
- 7 Percent relative humidity before condensation occurs at the center of glass, taken using center of glass temperature.
- 8 Inside glass surface temperatures are taken at the center of glass.
- This data is accurate as of October, 2013. Due to ongoing product changes, updated test results, or new industry standards, this data may change over time. Contact your Andersen supplier for current performance information or upgrade options.

Combination Designs & Product Performance



## Andersen® NFRC Certified Total Unit Performance A-Series Windows

For current performance information please visit [andersenwindows.com](http://andersenwindows.com).

Andersen® Product	Glass Type		U-Factor <sup>1</sup>	SHGC <sup>2</sup>	VT <sup>3</sup>		
<b>A-Series Casement Windows</b> AND-N-86	IMPACT-RESISTANT	Low-E4*	Without Grilles	0.30	0.26	0.45	
			Simulated Divided Light Grilles	0.31	0.24	0.40	
			Finelight™ Light Grilles	0.30	0.24	0.40	
		Low-E4* Sun	Without Grilles	0.30	0.17	0.24	
			Simulated Divided Light Grilles	0.30	0.15	0.22	
			Finelight Light Grilles	0.31	0.15	0.22	
	Low-E4* SmartSun™	Without Grilles	0.29	0.18	0.40		
		Simulated Divided Light Grilles	0.29	0.17	0.36		
		Finelight Light Grilles	0.30	0.17	0.36		
	<b>A-Series Awning Windows</b> AND-N-87	IMPACT-RESISTANT	Low-E4*	Without Grilles	0.30	0.26	0.43
				Simulated Divided Light Grilles	0.30	0.23	0.39
				Finelight™ Light Grilles	0.30	0.23	0.39
Low-E4* Sun			Without Grilles	0.30	0.16	0.24	
			Simulated Divided Light Grilles	0.30	0.15	0.21	
			Finelight Light Grilles	0.31	0.15	0.21	
Low-E4* SmartSun™		Without Grilles	0.29	0.18	0.39		
		Simulated Divided Light Grilles	0.29	0.16	0.35		
		Finelight Light Grilles	0.30	0.16	0.35		
<b>A-Series Double-Hung Windows</b> AND-N-91		IMPACT-RESISTANT	Low-E4*	Without Grilles	0.31	0.30	0.51
				Simulated Divided Light Grilles	0.31	0.27	0.45
				Finelight™ Light Grilles	0.32	0.27	0.45
	Low-E4* Sun		Without Grilles	0.32	0.19	0.28	
			Simulated Divided Light Grilles	0.32	0.17	0.25	
			Finelight Light Grilles	0.32	0.17	0.25	
	Low-E4* SmartSun™	Without Grilles	0.31	0.20	0.46		
		Simulated Divided Light Grilles	0.31	0.18	0.41		
		Finelight Light Grilles	0.32	0.18	0.41		
	<b>A-Series Picture Windows</b> AND-N-88	IMPACT-RESISTANT	Low-E4*	Without Grilles	0.29	0.31	0.53
				Simulated Divided Light Grilles	0.29	0.28	0.47
				Finelight™ Light Grilles	0.30	0.28	0.47
Low-E4* Sun			Without Grilles	0.30	0.19	0.29	
			Simulated Divided Light Grilles	0.30	0.17	0.25	
			Finelight Light Grilles	0.31	0.17	0.25	
Low-E4* SmartSun™		Without Grilles	0.29	0.21	0.47		
		Simulated Divided Light Grilles	0.29	0.19	0.42		
		Finelight Light Grilles	0.30	0.19	0.42		
<b>A-Series Stationary Transom Windows</b> AND-N-89		IMPACT-RESISTANT	Low-E4*	Without Grilles	0.30	0.31	0.53
				Simulated Divided Light Grilles	0.30	0.28	0.47
				Finelight™ Light Grilles	0.30	0.28	0.47
	Low-E4* Sun		Without Grilles	0.30	0.20	0.29	
			Simulated Divided Light Grilles	0.30	0.18	0.26	
			Finelight Light Grilles	0.31	0.18	0.26	
	Low-E4* SmartSun™	Without Grilles	0.29	0.21	0.48		
		Simulated Divided Light Grilles	0.29	0.19	0.43		
		Finelight Light Grilles	0.30	0.19	0.43		
	<b>A-Series Venting Transom Windows</b> AND-N-90	IMPACT-RESISTANT	Low-E4*	Without Grilles	0.30	0.27	0.45
				Simulated Divided Light Grilles	0.30	0.24	0.41
				Finelight™ Light Grilles	0.30	0.24	0.41
Low-E4* Sun			Without Grilles	0.30	0.17	0.25	
			Simulated Divided Light Grilles	0.30	0.15	0.22	
			Finelight Light Grilles	0.31	0.15	0.22	
Low-E4* SmartSun™		Without Grilles	0.29	0.18	0.41		
		Simulated Divided Light Grilles	0.29	0.17	0.37		
		Finelight Light Grilles	0.30	0.17	0.37		
Low-E4* SmartSun™		Without Grilles	0.29	0.17	0.37		
		Simulated Divided Light Grilles	0.29	0.17	0.37		
		Finelight Light Grilles	0.30	0.17	0.37		

Notes on the next page also apply to this page.

Andersen® Product	Glass Type		U-Factor <sup>1</sup>	SHGC <sup>2</sup>	VT <sup>3</sup>		
<b>A-Series Direct-Set Specialty Windows</b> ( > 36 sq.ft. to 50 sq.ft. or 3.34 m <sup>2</sup> to 4.65 m <sup>2</sup> ) AND-N-126	IMPACT-RESISTANT	Low-E4*	Without Grilles	0.28	0.34	0.56	
			Simulated Divided Light Grilles	0.28	0.31	0.51	
			Finelight™ Light Grilles	0.30	0.31	0.51	
		Low-E4* Sun	Without Grilles	0.29	0.21	0.30	
			Simulated Divided Light Grilles	0.29	0.19	0.27	
			Finelight Light Grilles	0.29	0.19	0.27	
	Low-E4* SmartSun™	Without Grilles	0.30	0.19	0.27		
		Simulated Divided Light Grilles	0.28	0.21	0.45		
		Finelight Light Grilles	0.28	0.21	0.45		
	<b>A-Series Sash-Set Specialty Windows</b> ( > 36 sq.ft. to 50 sq.ft. or 3.34 m <sup>2</sup> to 4.65 m <sup>2</sup> ) AND-N-128	IMPACT-RESISTANT	Low-E4*	Without Grilles	0.35	0.31	0.51
				Simulated Divided Light Grilles	0.35	0.28	0.45
				Finelight™ Light Grilles	0.36	0.28	0.45
Low-E4* Sun			Without Grilles	0.37	0.28	0.45	
			Simulated Divided Light Grilles	0.35	0.20	0.27	
			Finelight Light Grilles	0.35	0.18	0.24	
Low-E4* SmartSun™		Without Grilles	0.36	0.18	0.24		
		Simulated Divided Light Grilles	0.37	0.18	0.24		
		Finelight Light Grilles	0.37	0.18	0.24		
IMPACT-RESISTANT		Low-E4*	Without Grilles	0.34	0.22	0.46	
			Simulated Divided Light Grilles	0.34	0.20	0.41	
			Finelight Light Grilles	0.36	0.20	0.41	
	Low-E4* SmartSun™	Without Grilles	0.36	0.20	0.41		
		Simulated Divided Light Grilles	0.36	0.20	0.41		
		Finelight Light Grilles	0.36	0.20	0.41		

## Andersen® NFRC Certified Total Unit Performance 400 Series Windows

For current performance information please visit [andersenwindows.com](http://andersenwindows.com).

Andersen® Product	Glass Type		U-Factor <sup>1</sup>	SHGC <sup>2</sup>	VT <sup>3</sup>	
<b>400 Series Casement Windows</b> AND-N-1	IMPACT-RESISTANT	Low-E4*	Without Grilles	0.33	0.31	0.53
			Simulated Divided Light Grilles	0.33	0.29	0.48
			Finelight™ Light Grilles	0.34	0.29	0.48
		Low-E4* Sun	Without Grilles	0.34	0.29	0.48
			Simulated Divided Light Grilles	0.33	0.18	0.27
			Finelight Light Grilles	0.34	0.18	0.27
	Low-E4* SmartSun™	Without Grilles	0.34	0.18	0.27	
		Simulated Divided Light Grilles	0.33	0.20	0.43	
		Finelight Light Grilles	0.34	0.20	0.43	
	IMPACT-RESISTANT	Monolithic GRAY   CLEAR	Without Grilles	0.33	0.21	0.48
			Simulated Divided Light Grilles	0.33	0.20	0.43
			Finelight Light Grilles	0.34	0.20	0.43
Monolithic GRAY   CLEAR		Without Grilles	0.79	0.58	0.66	
		Simulated Divided Light Grilles	0.79	0.53	0.60	
		Without Grilles	0.79	0.45	0.39	
<b>400 Series Awning Windows</b> AND-N-2	IMPACT-RESISTANT	Low-E4*	Without Grilles	0.33	0.31	0.52
			Simulated Divided Light Grilles	0.33	0.28	0.47
			Finelight™ Light Grilles	0.34	0.28	0.47
		Low-E4* Sun	Without Grilles	0.33	0.28	0.47
			Simulated Divided Light Grilles	0.34	0.20	0.29
			Finelight Light Grilles	0.34	0.18	0.26
	Low-E4* SmartSun™	Without Grilles	0.34	0.18	0.26	
		Simulated Divided Light Grilles	0.34	0.18	0.26	
		Finelight Light Grilles	0.34	0.18	0.26	
	IMPACT-RESISTANT	Low-E4* SmartSun™	Without Grilles	0.33	0.21	0.47
			Simulated Divided Light Grilles	0.33	0.19	0.42
			Finelight Light Grilles	0.33	0.19	0.42
Monolithic GRAY   CLEAR		Without Grilles	0.33	0.19	0.42	
		Simulated Divided Light Grilles	0.33	0.19	0.42	
		Without Grilles	0.83	0.57	0.65	
Monolithic GRAY   CLEAR	Without Grilles	0.83	0.52	0.59		
	Without Grilles	0.83	0.44	0.39		
	Simulated Divided Light Grilles	0.83	0.40	0.35		

continued on next page

**Andersen® NFRC Certified Total Unit Performance** (continued)  
400 Series Windows

For current performance information please visit [andersenwindows.com](http://andersenwindows.com).

Andersen® Product	Glass Type		U-Factor <sup>1</sup>	SHGC <sup>2</sup>	VT <sup>3</sup>	
<b>400 Series Casement/Awning Picture Windows</b> AND-N-54	IMPACT-RESISTANT	Low-E4®	Without Grilles	0.26	0.34	0.57
			Simulated Divided Light Grilles	0.26	0.31	0.51
			Finelight™ Light Grilles	0.26	0.31	0.51
		Low-E4® Sun	Without Grilles	0.26	0.21	0.32
			Simulated Divided Light Grilles	0.26	0.19	0.28
			Finelight Light Grilles	0.26	0.19	0.28
	Low-E4® SmartSun™	Without Grilles	0.25	0.23	0.51	
		Simulated Divided Light Grilles	0.25	0.21	0.46	
		Finelight Light Grilles	0.25	0.21	0.46	
	Monolithic GRAY CLEAR	Without Grilles	0.82	0.59	0.71	
		Simulated Divided Light Grilles	0.82	0.53	0.64	
		Without Grilles	0.82	0.48	0.36	
<b>400 Series Tilt-Wash Double-Hung Windows</b> AND-N-24	IMPACT-RESISTANT	Low-E4®	Without Grilles	0.34	0.31	0.53
			Simulated Divided Light Grilles	0.34	0.28	0.47
			Finelight™ Light Grilles	0.36	0.28	0.47
		Low-E4® Sun	Without Grilles	0.35	0.20	0.29
			Simulated Divided Light Grilles	0.35	0.18	0.26
			Finelight Light Grilles	0.36	0.18	0.26
	Low-E4® SmartSun™	Without Grilles	0.34	0.21	0.47	
		Simulated Divided Light Grilles	0.34	0.19	0.42	
		Finelight Light Grilles	0.35	0.19	0.42	
	Monolithic GRAY CLEAR	Without Grilles	0.81	0.57	0.65	
		Simulated Divided Light Grilles	n/a	n/a	n/a	
		Without Grilles	0.81	0.44	0.39	
<b>400 Series Tilt-Wash Transom Windows</b> AND-N-76	IMPACT-RESISTANT	Low-E4®	Without Grilles	0.26	0.31	0.54
			Simulated Divided Light Grilles	0.26	0.28	0.48
			Finelight™ Light Grilles	0.26	0.28	0.48
		Low-E4® Sun	Without Grilles	0.27	0.19	0.30
			Simulated Divided Light Grilles	0.27	0.17	0.26
			Finelight Light Grilles	0.27	0.17	0.26
	Low-E4® SmartSun™	Without Grilles	0.26	0.21	0.49	
		Simulated Divided Light Grilles	0.26	0.19	0.44	
		Finelight Light Grilles	0.26	0.19	0.44	
	Monolithic GRAY CLEAR	Without Grilles	0.79	0.58	0.67	
		Simulated Divided Light Grilles	0.79	0.52	0.60	
		Without Grilles	0.79	0.46	0.34	
<b>400 Series Tilt-Wash Picture Windows</b> AND-N-27	IMPACT-RESISTANT	Low-E4®	Without Grilles	0.32	0.33	0.55
			Simulated Divided Light Grilles	0.32	0.29	0.49
			Finelight™ Light Grilles	0.33	0.29	0.49
		Low-E4® Sun	Without Grilles	0.32	0.20	0.30
			Simulated Divided Light Grilles	0.32	0.18	0.27
			Finelight Light Grilles	0.34	0.18	0.27
	Low-E4® SmartSun™	Without Grilles	0.31	0.22	0.49	
		Simulated Divided Light Grilles	0.31	0.20	0.44	
		Finelight Light Grilles	0.33	0.20	0.44	
	Monolithic GRAY CLEAR	Without Grilles	n/a	n/a	n/a	
		Simulated Divided Light Grilles	n/a	n/a	n/a	
		Without Grilles	n/a	n/a	n/a	
<b>400 Series Half Circle - Casement/Awning, Circle &amp; Oval Windows</b> AND-N-54	IMPACT-RESISTANT	Low-E4®	Without Grilles	0.26	0.34	0.57
			Simulated Divided Light Grilles	0.26	0.31	0.51
			Finelight™ Light Grilles	0.26	0.31	0.51
		Low-E4® Sun	Without Grilles	0.26	0.21	0.32
			Simulated Divided Light Grilles	0.26	0.19	0.28
			Finelight Light Grilles	0.26	0.19	0.28
	Low-E4® SmartSun™	Without Grilles	0.25	0.23	0.51	
		Simulated Divided Light Grilles	0.25	0.21	0.46	
		Finelight Light Grilles	0.25	0.21	0.46	
	Monolithic GRAY CLEAR	Without Grilles	0.82	0.59	0.71	
		Simulated Divided Light Grilles	0.82	0.53	0.64	
		Without Grilles	0.82	0.48	0.36	
<b>400 Series Half Circle - Double-Hung Windows</b> AND-N-7	IMPACT-RESISTANT	Low-E4®	Without Grilles	0.27	0.33	0.56
			Simulated Divided Light Grilles	0.27	0.30	0.50
			Finelight™ Light Grilles	0.28	0.30	0.50
		Low-E4® Sun	Without Grilles	0.27	0.21	0.31
			Simulated Divided Light Grilles	0.27	0.19	0.28
			Finelight Light Grilles	0.28	0.19	0.28
	Low-E4® SmartSun™	Without Grilles	0.26	0.22	0.50	
		Simulated Divided Light Grilles	0.26	0.20	0.45	
		Finelight Light Grilles	0.27	0.20	0.45	
	Monolithic GRAY CLEAR	Without Grilles	0.81	0.58	0.70	
		Simulated Divided Light Grilles	n/a	n/a	n/a	
		Without Grilles	0.81	0.47	0.36	
<b>400 Series Arch Windows</b> AND-N-18	IMPACT-RESISTANT	Low-E4®	Without Grilles	0.27	0.33	0.56
			Simulated Divided Light Grilles	0.27	0.30	0.50
			Finelight™ Light Grilles	0.29	0.30	0.50
		Low-E4® Sun	Without Grilles	0.28	0.20	0.30
			Simulated Divided Light Grilles	0.28	0.18	0.27
			Finelight Light Grilles	0.29	0.18	0.27
	Low-E4® SmartSun™	Without Grilles	0.27	0.23	0.50	
		Simulated Divided Light Grilles	0.27	0.20	0.45	
		Finelight Light Grilles	0.28	0.20	0.45	
	Monolithic GRAY CLEAR	Without Grilles	0.83	0.59	0.71	
		Simulated Divided Light Grilles	0.83	0.53	0.64	
		Without Grilles	0.83	0.48	0.36	
<b>400 Series Springline™ Windows</b> AND-N-25	IMPACT-RESISTANT	Low-E4®	Without Grilles	0.30	0.33	0.56
			Simulated Divided Light Grilles	0.30	0.30	0.50
			Finelight™ Light Grilles	0.32	0.30	0.50
		Low-E4® Sun	Without Grilles	0.31	0.20	0.30
			Simulated Divided Light Grilles	0.31	0.18	0.27
			Finelight Light Grilles	0.32	0.18	0.27
	Low-E4® SmartSun™	Without Grilles	0.30	0.23	0.50	
		Simulated Divided Light Grilles	0.30	0.21	0.45	
		Finelight Light Grilles	0.31	0.21	0.45	
	Monolithic GRAY CLEAR	Without Grilles	0.85	0.59	0.71	
		Simulated Divided Light Grilles	0.85	0.54	0.64	
		Without Grilles	0.85	0.48	0.36	

Andersen® Product	Glass Type		U-Factor <sup>1</sup>	SHGC <sup>2</sup>	VT <sup>3</sup>	
<b>400 Series Tilt-Wash Double-Hung Windows</b> AND-N-7	IMPACT-RESISTANT	Low-E4®	Without Grilles	0.27	0.33	0.56
			Simulated Divided Light Grilles	0.27	0.30	0.50
			Finelight™ Light Grilles	0.28	0.30	0.50
		Low-E4® Sun	Without Grilles	0.27	0.21	0.31
			Simulated Divided Light Grilles	0.27	0.19	0.28
			Finelight Light Grilles	0.28	0.19	0.28
	Low-E4® SmartSun™	Without Grilles	0.26	0.22	0.50	
		Simulated Divided Light Grilles	0.26	0.20	0.45	
		Finelight Light Grilles	0.27	0.20	0.45	
	Monolithic GRAY CLEAR	Without Grilles	0.81	0.58	0.70	
		Simulated Divided Light Grilles	n/a	n/a	n/a	
		Without Grilles	0.81	0.47	0.36	
<b>400 Series Arch Windows</b> AND-N-18	IMPACT-RESISTANT	Low-E4®	Without Grilles	0.27	0.33	0.56
			Simulated Divided Light Grilles	0.27	0.30	0.50
			Finelight™ Light Grilles	0.29	0.30	0.50
		Low-E4® Sun	Without Grilles	0.28	0.20	0.30
			Simulated Divided Light Grilles	0.28	0.18	0.27
			Finelight Light Grilles	0.29	0.18	0.27
	Low-E4® SmartSun™	Without Grilles	0.27	0.23	0.50	
		Simulated Divided Light Grilles	0.27	0.20	0.45	
		Finelight Light Grilles	0.28	0.20	0.45	
	Monolithic GRAY CLEAR	Without Grilles	0.83	0.59	0.71	
		Simulated Divided Light Grilles	0.83	0.53	0.64	
		Without Grilles	0.83	0.48	0.36	
<b>400 Series Springline™ Windows</b> AND-N-25	IMPACT-RESISTANT	Low-E4®	Without Grilles	0.30	0.33	0.56
			Simulated Divided Light Grilles	0.30	0.30	0.50
			Finelight™ Light Grilles	0.32	0.30	0.50
		Low-E4® Sun	Without Grilles	0.31	0.20	0.30
			Simulated Divided Light Grilles	0.31	0.18	0.27
			Finelight Light Grilles	0.32	0.18	0.27
	Low-E4® SmartSun™	Without Grilles	0.30	0.23	0.50	
		Simulated Divided Light Grilles	0.30	0.21	0.45	
		Finelight Light Grilles	0.31	0.21	0.45	
	Monolithic GRAY CLEAR	Without Grilles	0.85	0.59	0.71	
		Simulated Divided Light Grilles	0.85	0.54	0.64	
		Without Grilles	0.85	0.48	0.36	

continued on next page

• "Low-E4" SmartSun™, "Low-E4"™ and "Low-E4" Sun are Andersen trademarks for "Low-E" glass.

1) U-Factor defines the amount of heat loss through the total unit in BTU/hr/ft<sup>2</sup>·°F. The lower the value, the less heat is lost through the entire product. Window values represent non-tempered glass. Use of tempered glass can increase U-Factor ratings. See [andersenwindows.com/nfrc](http://andersenwindows.com/nfrc) for specific performance values. Door values represent tempered glass. 2) Solar Heat Gain Coefficient (SHGC) defines the fraction of solar radiation admitted through the glass both directly transmitted and absorbed and subsequently released inward. The lower the value, the less heat is transmitted through the product. 3) Visible Transmittance (VT) measures how much light comes through a product (glass and frame). The higher the value, from 0 to 1, the more daylight the product lets in over the product's total unit area. Visible Transmittance is measured over the 380 to 760 nanometer portion of the solar spectrum.

• NFRC ratings are based on modeling by a third party agency as validated by an independent test lab in compliance with NFRC program and procedural requirements.

• This data is accurate as of October, 2013. Due to ongoing product changes, updated test results, or new industry standards or requirements, this data may change over time. Ratings are for sizes specified by NFRC for testing and certification. Ratings may vary depending on use of tempered glass, different grille options, glass for high altitudes, etc.

Combination Designs & Product Performance

# PRODUCT PERFORMANCE



## Andersen® NFRC Certified Total Unit Performance *(continued)* 400 Series Windows

For current performance information please visit [andersenwindows.com](http://andersenwindows.com).

Andersen® Product	Glass Type		U-Factor <sup>1</sup>	SHGC <sup>2</sup>	VT <sup>3</sup>	
400 Series Flexiframe® Windows AND-N-17	IMPACT-RESISTANT	Low-E4®	Without Grilles	0.27	0.33	0.56
			Simulated Divided Light Grilles	0.27	0.30	0.50
			Finelight™ Light Grilles	0.28	0.30	0.50
			Full Divided Light Grilles	0.28	0.30	0.50
	IMPACT-RESISTANT	Low-E4® Sun	Without Grilles	0.27	0.20	0.30
			Simulated Divided Light Grilles	0.27	0.18	0.27
			Finelight Light Grilles	0.28	0.18	0.27
			Full Divided Light Grilles	0.28	0.18	0.27
	IMPACT-RESISTANT	Low-E4® SmartSun™	Without Grilles	0.26	0.22	0.50
			Simulated Divided Light Grilles	0.26	0.20	0.45
			Finelight Light Grilles	0.27	0.20	0.45
			Full Divided Light Grilles	0.27	0.20	0.45
Monolithic GRAY   CLEAR		Without Grilles	0.82	0.59	0.71	
		Simulated Divided Light Grilles	0.82	0.53	0.63	
		Without Grilles	0.82	0.48	0.36	
		Simulated Divided Light Grilles	0.82	0.43	0.32	

## Andersen® NFRC Certified Total Unit Performance A-Series Patio Doors

For current performance information please visit [andersenwindows.com](http://andersenwindows.com).

Andersen® Product	Glass Type		U-Factor <sup>1</sup>	SHGC <sup>2</sup>	VT <sup>3</sup>	
A-Series Frenchwood® Gliding Patio Doors AND-N-99	IMPACT-RESISTANT	Low-E4®	Without Grilles	0.32	0.26	0.44
			Simulated Divided Light Grilles	0.32	0.23	0.38
			Finelight™ Light Grilles	0.33	0.23	0.38
			Full Divided Light Grilles	0.33	0.23	0.38
	IMPACT-RESISTANT	Low-E4® Sun	Without Grilles	0.32	0.16	0.24
			Simulated Divided Light Grilles	0.32	0.15	0.21
			Finelight Light Grilles	0.34	0.15	0.21
			Full Divided Light Grilles	0.33	0.15	0.21
	IMPACT-RESISTANT	Low-E4® SmartSun™	Without Grilles	0.31	0.18	0.40
			Simulated Divided Light Grilles	0.31	0.16	0.34
			Finelight Light Grilles	0.33	0.16	0.34
			Full Divided Light Grilles	0.32	0.16	0.34
Monolithic GRAY   CLEAR		Without Grilles	0.70	0.46	0.54	
		SmartSun™	0.70	0.40	0.46	
		Without Grilles	0.70	0.34	0.27	
		Simulated Divided Light Grilles	0.70	0.29	0.23	
A-Series Frenchwood® Hinged Inswing Patio Doors AND-N-92	IMPACT-RESISTANT	Low-E4®	Without Grilles	0.32	0.24	0.40
			Simulated Divided Light Grilles	0.32	0.21	0.34
			Finelight™ Light Grilles	0.33	0.21	0.34
			Full Divided Light Grilles	0.33	0.21	0.34
	IMPACT-RESISTANT	Low-E4® Sun	Without Grilles	0.32	0.15	0.22
			Simulated Divided Light Grilles	0.32	0.13	0.19
			Finelight Light Grilles	0.34	0.13	0.19
			Full Divided Light Grilles	0.33	0.13	0.19
	IMPACT-RESISTANT	Low-E4® SmartSun™	Without Grilles	0.31	0.16	0.36
			Simulated Divided Light Grilles	0.31	0.14	0.31
			Finelight Light Grilles	0.33	0.14	0.31
			Full Divided Light Grilles	0.32	0.14	0.31
Monolithic GRAY   CLEAR		Without Grilles	0.67	0.41	0.49	
		Simulated Divided Light Grilles	n/a	n/a	n/a	
		Without Grilles	0.67	0.34	0.25	
		Simulated Divided Light Grilles	n/a	n/a	n/a	
A-Series Frenchwood® Hinged Outswing Patio Doors AND-N-93	IMPACT-RESISTANT	Low-E4®	Without Grilles	0.31	0.24	0.40
			Simulated Divided Light Grilles	0.31	0.21	0.34
			Finelight™ Light Grilles	0.33	0.21	0.34
			Full Divided Light Grilles	0.32	0.21	0.34
	IMPACT-RESISTANT	Low-E4® Sun	Without Grilles	0.32	0.15	0.22
			Simulated Divided Light Grilles	0.32	0.13	0.19
			Finelight Light Grilles	0.33	0.13	0.19
			Full Divided Light Grilles	0.33	0.13	0.19
	IMPACT-RESISTANT	Low-E4® SmartSun™	Without Grilles	0.31	0.17	0.36
			Simulated Divided Light Grilles	0.31	0.15	0.31
			Finelight Light Grilles	0.33	0.15	0.31
			Full Divided Light Grilles	0.32	0.15	0.31
Monolithic GRAY   CLEAR		Without Grilles	0.67	0.42	0.49	
		Simulated Divided Light Grilles	n/a	n/a	n/a	
		Without Grilles	0.67	0.34	0.25	
		Simulated Divided Light Grilles	n/a	n/a	n/a	

Andersen® Product	Glass Type		U-Factor <sup>1</sup>	SHGC <sup>2</sup>	VT <sup>3</sup>	
A-Series Frenchwood® Patio Door Sash-Set Transoms & Sidelight Transoms AND-N-95	IMPACT-RESISTANT	Low-E4®	Without Grilles	0.31	0.25	0.42
			Simulated Divided Light Grilles	0.31	0.23	0.38
			Finelight™ Light Grilles	0.32	0.23	0.38
			Full Divided Light Grilles	0.32	0.23	0.38
	IMPACT-RESISTANT	Low-E4® Sun	Without Grilles	0.31	0.16	0.23
			Simulated Divided Light Grilles	0.31	0.14	0.21
			Finelight Light Grilles	0.32	0.14	0.21
			Full Divided Light Grilles	0.32	0.14	0.21
	IMPACT-RESISTANT	Low-E4® SmartSun™	Without Grilles	0.31	0.17	0.38
			Simulated Divided Light Grilles	0.31	0.16	0.34
			Finelight Light Grilles	0.32	0.16	0.34
			Full Divided Light Grilles	0.31	0.16	0.34
Monolithic GRAY   CLEAR		Without Grilles	0.70	0.42	0.49	
		Simulated Divided Light Grilles	0.70	0.38	0.44	
		Without Grilles	0.70	0.31	0.25	
		Simulated Divided Light Grilles	0.70	0.28	0.22	
A-Series Frenchwood® Patio Door Direct-Set Transoms & Sidelight Transoms AND-N-96	IMPACT-RESISTANT	Low-E4®	Without Grilles	0.30	0.33	0.57
			Simulated Divided Light Grilles	0.30	0.30	0.51
			Finelight™ Light Grilles	0.30	0.30	0.51
			Full Divided Light Grilles	0.31	0.30	0.51
	IMPACT-RESISTANT	Low-E4® Sun	Without Grilles	0.30	0.21	0.31
			Simulated Divided Light Grilles	0.30	0.19	0.28
			Finelight Light Grilles	0.31	0.19	0.28
			Full Divided Light Grilles	0.31	0.19	0.28
	IMPACT-RESISTANT	Low-E4® SmartSun™	Without Grilles	0.29	0.23	0.51
			Simulated Divided Light Grilles	0.29	0.21	0.46
			Finelight Light Grilles	0.30	0.21	0.46
			Full Divided Light Grilles	0.30	0.21	0.46
Monolithic GRAY   CLEAR		Without Grilles	0.84	0.58	0.69	
		Simulated Divided Light Grilles	0.84	0.53	0.63	
		Without Grilles	0.84	0.43	0.35	
		Simulated Divided Light Grilles	0.84	0.39	0.31	
A-Series Frenchwood® Patio Door Sidelights AND-N-94	IMPACT-RESISTANT	Low-E4®	Without Grilles	0.31	0.23	0.37
			Simulated Divided Light Grilles	0.31	0.20	0.33
			Finelight™ Light Grilles	0.33	0.20	0.33
			Full Divided Light Grilles	0.32	0.20	0.33
	IMPACT-RESISTANT	Low-E4® Sun	Without Grilles	0.32	0.14	0.20
			Simulated Divided Light Grilles	0.32	0.13	0.18
			Finelight Light Grilles	0.33	0.13	0.18
			Full Divided Light Grilles	0.32	0.13	0.18
	IMPACT-RESISTANT	Low-E4® SmartSun™	Without Grilles	0.31	0.16	0.34
			Simulated Divided Light Grilles	0.31	0.14	0.30
			Finelight Light Grilles	0.32	0.14	0.30
			Full Divided Light Grilles	0.32	0.14	0.30
Monolithic GRAY   CLEAR		Without Grilles	0.65	0.39	0.46	
		Simulated Divided Light Grilles	n/a	n/a	n/a	
		Without Grilles	0.65	0.32	0.23	
		Simulated Divided Light Grilles	n/a	n/a	n/a	

- "Low-E4" SmartSun™, "Low-E4"™ and "Low-E4" Sun are Andersen trademarks for "Low-E" glass.
- 1) U-Factor defines the amount of heat loss through the total unit in BTU/hr/ft<sup>2</sup> °F. The lower the value, the less heat is lost through the entire product. Window values represent non-tempered glass. Use of tempered glass can increase U-Factor ratings. See [andersenwindows.com/nfrc](http://andersenwindows.com/nfrc) for specific performance values. Door values represent tempered glass.
- 2) Solar Heat Gain Coefficient (SHGC) defines the fraction of solar radiation admitted through the glass both directly transmitted and absorbed and subsequently released inward. The lower the value, the less heat is transmitted through the product.
- 3) Visible Transmittance (VT) measures how much light comes through a product (glass and frame). The higher the value, from 0 to 1, the more daylight the product lets in over the product's total unit area. Visible Transmittance is measured over the 380 to 760 nanometer portion of the solar spectrum.
- NFRC ratings are based on modeling by a third party agency as validated by an independent test lab in compliance with NFRC program and procedural requirements.
- This data is accurate as of October, 2013. Due to ongoing product changes, updated test results, or new industry standards or requirements, this data may change over time. Ratings are for sizes specified by NFRC for testing and certification. Ratings may vary depending on use of tempered glass, different grille options, glass for high altitudes, etc.

**About the NFRC**

The National Fenestration Rating Council (NFRC) is a nonpartisan coalition of professionals whose purpose is to provide fair, accurate and credible energy performance ratings for fenestration products. NFRC's membership includes manufacturers, suppliers, designers, specifiers, utility companies, government agencies and other building industry representatives.

Andersen Corporation is a founding member of the NFRC and continues to support its work by providing fair, accurate and credible energy performance ratings to consumers and the building industry. If you have any questions about the NFRC, its program or energy performance ratings, write them at: NFRC, 6305 Ivy Lane, Suite 140, Greenbelt, MD 20770, Tel: (301) 589-1776 Website: www.nfrc.org

**About the Label**

Look for this certification label on every window and patio door you buy. The NFRC section was designed by the National Fenestration Rating Council to provide accurate information that helps you promote the energy efficiency of the homes you build. These ratings allow you - and your customers - to measure and compare the energy performance of similar products. If the product does not have this label, the NFRC has not verified its claims.

**Energy Rating (ER)** represents "Energy Rating" and is a rating used in Canada for product comparison purposes (the higher the ER number, the more energy saved during the heating season).

**U-Factor** indicates how well a product prevents heat from escaping (the lower the number, the better).

**Visible Transmittance** refers to how much visible light comes through a product (the closer to 1.0, the more light is transmitted).

**WDMA Hallmark Certification** verifies the performance ratings of this product were tested by a third party testing laboratory.

**Test Standards**

**Florida Product Approval Number, Miami-Dade County Notice of Acceptance (NOA) Number or Texas Department of Insurance (TDI) Number**

**ENERGY STAR Climate Zone Map**

is based on U-factor and solar heat gain coefficient criteria for specific ENERGY STAR climate zones within the United States and Canada. The shading of the map shows which climate zone(s) a particular product and glass type is ENERGY STAR qualified in.

**Solar Heat Gain Coefficient** measures how well a product blocks heat caused by sunlight (the lower the number, the more it will help reduce the use of air conditioning and as a result reduce electrical bills and energy use).

**Performance Grade (PG) and Design Pressure (DP) Ratings**

**Impact-Resistant Glass Construction**

Do not remove until final code inspection. Save label for future reference.

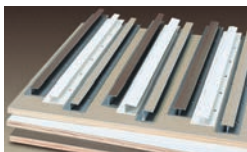
CSA A440.2 Energy Rating Rendement Énergétique	<b>18</b>	Qualified for highlighted area. Répond aux exigences pour les régions indiquées.	
	Canada 1 800 387-2000 energystar.gc.ca  ENERGY STAR U.S. / É.U. 1 888 782-7937 energystar.gov		
		Andersen Casement Picture Window AND-N-54 01190-00001 Vinyl-Clad Wood Frame, Dual-Pane Low-E Impact Resistant Glazing with Argon Product Type: Fixed	
<b>ENERGY PERFORMANCE RATINGS</b>			
U-Factor <b>0.26</b> (U.S./I-P)		Solar Heat Gain Coefficient <b>0.34</b>	1.5 (Metric/SI)
<b>ADDITIONAL PERFORMANCE RATINGS</b>			
Visible Transmittance <b>0.57</b>		■	
<small>Manufacturer stipulates that these ratings conform to applicable NFRC procedures for determining whole product performance. NFRC ratings are determined for a fixed set of environmental conditions and a specific product size. NFRC does not recommend any product and does not warrant the suitability of any product for specific use. Consult manufacturer's literature for other product performance information. www.nfrc.org</small>			
<b>WDMA HALLMARK CERTIFIED</b>			
WINDOW AND DOOR MANUFACTURERS ASSOCIATION www.wdma.com			
CCL# 129-H-774 ANDERSEN CORPORATION: 400 SERIES CASEMENT PICTURE WINDOW Manufacturer Stipulates Conformance to the following standards.			
<b>STANDARD</b>		<b>RATING</b>	
AAMA/WDMA/CSA 101/1.S.2/A440-08		CLASS LC-PG50 SIZE TESTED 60" x 72" DP=50/65	
AAMA/WDMA/CSA 101/1.S.2/A440-05		PW-C50 SIZE TESTED 60" x 72" DP=50/65	
ASTM E1886-02 & E1996-02		Windone 4, Missile Level D Cycle Pressure +50/-65	
FL 1092			
Glazing: 4.0mm AN outer/11.7mm LG (4.7mm AN/4.7mm AN) inner Laminator: Cardinal Interlayer: Dupont SentryGlasPlus (0.090 M)			
		This product meets Green Seal's environmental standards governing energy efficiency, heavy metals in the frame and sash materials, packaging, and consumer education materials.	
		Complies with HUD UM Bulletin 111 701608063PKU-1	
Meets or exceeds M.E.C., C.E.C., & I.E.C.C. Air Infiltration Requirements WDMA Hallmark Certification Program			

• NFRC ratings are based on modeling by a third party agency as validated by an independent test lab in compliance with NFRC program and procedural requirements.



# INSTALLATION ACCESSORIES

We have listed optional accessories below that complement the units featured in this product guide. You'll also find key considerations regarding the use and installation of every Andersen® product. Keep the instruction guidelines and safety information in mind when considering the installation and use of any Andersen product. Should you have any questions, contact your local Andersen supplier. Thank you for considering and using Andersen products.



## VINYL CHANNELS AND LAMINATED BOARD

Rigid vinyl "J," "h" and "H" channel and vinyl laminated board.



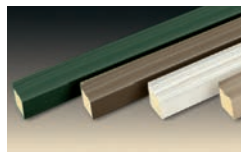
## EXTENSION JAMBS

Available for most Andersen products. See individual sections for details.



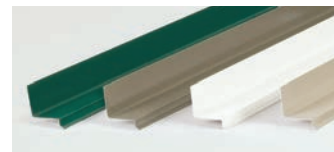
## FIBREX® TRIM BOARD

Andersen offers a 3 1/2" (89) wide by 3/4" (19) thick cellular Fibrex® trim board in 10' (3048) lengths. Available in the same 11 colors as the exterior trim system, this solid trim board can be cut or ripped to size and can be fastened using nails or screws.



## AUXILIARY CASING

Auxiliary casings consist of a wood core treated with water-repellent preservative and sheathed in rigid vinyl. They are available in White, Canvas, Sandtone, Terratone, Forest Green and Dark Bronze colors. The dimensions are 1 3/16" (30) by 1 3/16" (30) in 150" (3810) lengths.



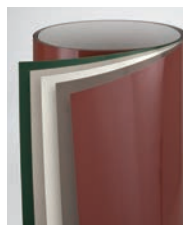
## CONTINUOUS DRIP CAP

- Included on 400 Series with side-by-side (vertical) joints
- Available in any of the 11 trim colors
- Heavy 24-gauge corrosion-resistant aluminum construction
- Available in 6' (1829), 10' (3048) and 12'-7 1/2" (3848) lengths

	COLOR	LENGTH	DEPTH	WIDTH
Auxiliary Trim Board	6 colors	150" (3810)	1 3/16" (19)	1 3/16" (19)
Fibrex Trim Board	11 colors	120" (3048)	3/4" (19)	3 1/2" (89)
Vinyl Laminated Board	W,S,T	96" (2438)	1/2" (13)	24" (610)
	W	96" (2438)	1/2" (13)	48" (1219)
	W	120" (3048)	1/2" (13)	48" (1219)
Rigid Vinyl "H" Channel	W	84" & 150" (2134 & 3810)	3/4" (19)	1" (25)
	S,T	84" & 150" (2134 & 3810)	3/4" (19)	3/4" (19)
Rigid Vinyl "h" Channel	W,S,T	150" (3810)	1/2" (13)	1" (25)
Rigid Vinyl "J" Channel	W,S,T	150" (3810)	1/2" (13)	3/4" (19)

## COLOR-MATCHED SEALANT

Color-matched sealant is available in Andersen exterior colors. This high-quality sealant can be used during the installation of all Andersen products.



## COIL STOCK

Andersen aluminum coil stock can be ordered to match any of our 11 trim colors. Made from .019-gauge aluminum, Andersen coil stock is available in 24" x 50" (610 x 1270) rolls. Color-matched 1 1/4" (32) stainless steel trim nails are also available and can be ordered in 1 lb. or .454 kg boxes.

# INSTALLATION

## GENERAL NOTES

When ordering, make certain you specify, then verify, the exact product, unit dimensions, configuration requirements, color and options you desire on each window or patio door. Before installing the product, we suggest you verify that it includes the features and options you ordered. Visit [andersenwindows.com](http://andersenwindows.com) for product installation and joining guides. Printing limitations prohibit exact color duplication of products. View actual samples for building specifications.

Andersen Corporation reserves the right to change details, specifications or sizes without notice. The customer assumes all risk of alterations made to Andersen products.

## IMPORTANCE OF PROPER INSTALLATION

Proper installation and maintenance of Andersen products is essential to attain optimum performance and operation. Written installation instructions that provide guidelines for proper installation are typically provided with Andersen products. They are also available from your local Andersen supplier or by visiting [andersenwindows.com](http://andersenwindows.com). Remember that every installation is different, and Andersen strongly recommends consultation with the local supplier or an experienced contractor, architect or structural engineer prior to the installation of any Andersen product. The method of attachment for Andersen products, fastener selection and code compliance is the responsibility of the architect, building owner, contractor, installer and/or consumer.

For more complete installation details, visit [andersenwindows.com](http://andersenwindows.com) or see your Andersen supplier.

## CODES

Appropriate selection of Andersen products that conform to all applicable laws, ordinances, building codes and safety requirements is the sole responsibility of the architect, designer, building owner and/or contractor. Check with your local building code officials for specific information. Unit wind load, performance grade and energy performance information is provided on pages 193-214. For up-to-date product performance information, visit [andersenwindows.com](http://andersenwindows.com).

The performance of any building system depends on the design and construction of the building system in its entirety, which should meet building code requirements, as well as address product and material limitations and local environment and climate.

## DRIP CAPS

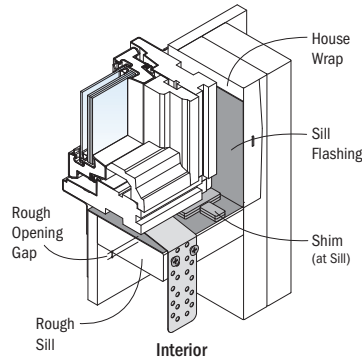
Drip caps are a specific type of flashing or trim that is used at the head of a window or door to direct water from the drainage plane out beyond the face of the unit.

Dimensions in parentheses are in millimeters.

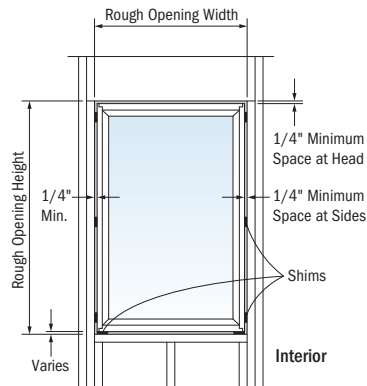
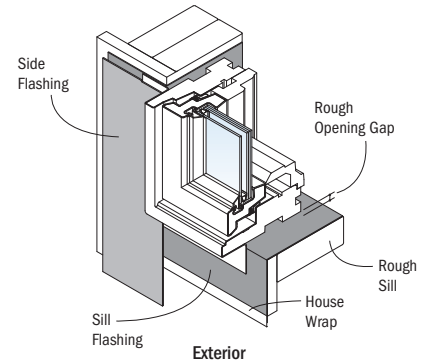


## ROUGH OPENINGS

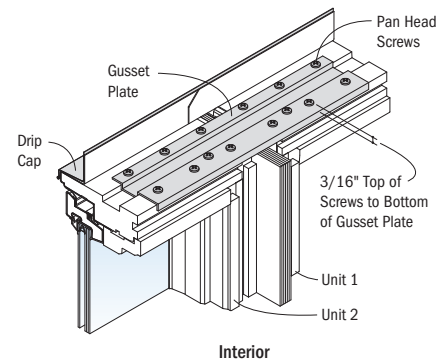
The purpose of a rough opening is to allow for proper spacing between the window or patio door unit and the building structure. The space is required for locating, leveling and squaring the unit during installation and to provide an area for insulation. A rough opening that is incorrectly sized may affect unit operation and may not allow for adequate fastening of the unit to the building structure. Andersen rough opening dimensions are provided as a guideline to help determine the minimum amount of space needed between the window or patio door and the building structure. See appropriate product sections for rough opening guidelines for each product.



Example of sill flashing in a membrane drainage system.



Example of window unit installed using Andersen published minimum rough opening dimensions.



Example of two units joined together with the use of gusset plates and pan head screws that will require additional rough opening space.

Keep in mind that rough opening dimensions may need to be altered from published guidelines, depending on installation methods, joining methods, replacement methods, etc. For example, flashing systems can reduce the amount of available rough opening space and should be factored in when calculating rough opening dimensions. The use of support or joining materials will encroach on the rough opening and may require additional rough opening space between the unit and the building

structure, depending on the thickness of the flashing system and joining materials used. To facilitate drainage, the sill plate should never slope toward the interior. For challenging environments and other information, refer to EEBA's (Energy and Environmental Building Association) Water Management Guide ([www.eeba.org](http://www.eeba.org)).

## INFORMATION

### FLASHING

Flashing is an important element in a building's water management system. It is used to shed and direct water to the building exterior or to the drainage plane. Flashing materials are typically applied starting from the bottom and working upward, with each successive layer overlapping the previous one in shingle fashion. Water infiltration problems in any type of building can be reduced by properly flashing and/or sealing around all building openings, including windows and doors.

### SEALANTS

Sealants are elastic materials used to block the passage of water and/or air while allowing movement between the two sides of the joint. A sealant should bond tightly and be able to expand and contract to accommodate joint movement without cracking or tearing away from the substrate. Surfaces must be clean, dry and sound for adequate sealant adhesion. Choose a sealant that is compatible with, and that will adhere adequately to, all building materials used in the window area.

Proper sealant joint design is based upon the expected movement of adjacent materials and the movement capability of the sealant. A general rule of thumb is that the depth of the sealant joint should be equal to half the width ( $D = W/2$ ), but generally not less than  $1/4$ " (6) or more than  $1/2$ " (13). Foam-plastic backer rod can be used to limit the depth of the sealant joint, to provide a backstop for tooling the sealant without damage to the bond. It also acts as a bond breaker to help minimize stress in the sealant.

### USE OF SHIMS

Shims are often used along the side jambs of windows and doors to center the unit in the rough opening and to position it plumb, level and square. In addition, shims are always required under the sill at the side jambs to lift it off the rough sill. Shims also enable a straight frame for proper weatherstrip contact and unit operation. If not placed properly, unit performance and operation can be affected. Use waterproof shims capable of supporting the weight of the product. When using tapered shims, use them in pairs with the tapers opposing each other to avoid tilting the unit or twisting (rotating) of the jambs.

Dimensions in parentheses are in millimeters.

# INSTALLATION ACCESSORIES

## GENERAL INSTALLATION GUIDELINES

1. Read and follow the installation guide in its entirety.
2. Decide whether you are integrating to a surface barrier or a membrane drainage system before installing the product. The appropriate method for your installation may vary based on building design, application and industry practices.
3. Make certain the drainage plane is continuous (proper overlaps to shed water, taped seams, etc.).
4. Andersen® products should be installed only in the vertical position.
5. Check the rough opening to make sure it is sized properly, is square and is level.
6. Install the window plumb.
7. Install the window level.
8. Install the window square (diagonal measurements should be within  $\frac{1}{8}$ " (3)).
9. Follow installation instructions to properly locate shims and to make sure that units are plumb, level and square. Shims are always required under the window jambs at the sill and along the jambs on the sides.
10. Check for squareness of unit before final anchoring of the product into the wall.
11. Anchor the window properly with appropriate fasteners as directed.
12. Integrate the window into the drainage plane of the wall using quality flashing and sealing materials. All flashing materials should be properly overlapped to shed water.
13. Allow  $\frac{1}{4}$ " (6) minimum space for a sealant joint around perimeter of unit between exterior finish materials and unit.
14. Insulate and seal the interior cavity between the window frame and the rough opening.
15. Check unit operation before application of interior trim.
16. Stain and/or seal all unfinished wood surfaces promptly to minimize moisture absorption.

## SAFETY GLASS

Unless specifically ordered, Andersen® windows with Low-E4® impact-resistant glass are not made with safety glass on the outside light, and, if broken, the glass could fragment, causing injury. Andersen windows may be ordered with tempered glass, which may reduce the likelihood of injury when broken. All Andersen patio doors are made with tempered or tempered laminated glass. Differences in appearance between tempered and non-tempered glass can be expected. Slight visual distortions may be noticeable and occur normally as a result of the tempering process. Building codes require safety glass in locations adjacent to or near doors or at other locations.

## WINDOW AND PATIO DOOR SAFETY

Windows may provide a secondary avenue of escape or rescue in an emergency, such as a fire. Every family should develop an escape plan and make sure family members know how to escape from the home in an emergency. In your plan, include two ways to escape from every room in case one way is blocked by fire or smoke, and make sure you have a designated meeting place outside. A window or a door is an alternate means of escape or rescue. Practice your plan until each member of the family understands it and is able to escape without assistance. Remember, you may not be able to reach children during a fire emergency. Teach children – even very young children – that they must escape from a fire in the home and never hide from the fire or from emergency personnel.

The Consumer Product Safety Commission has said: "Keep children away from open windows to prevent falls. Don't depend on insect screens to keep the child from falling out of the window. They are designed to keep insects out, not children in. Avoid placing furniture near windows to keep children from climbing to a window seat or sill."

In an effort to educate consumers about the potential for child falls from windows, Andersen Corporation created the LookOut For Kids® Program. It combines a window and door safety brochure and specific product instructions to help make window and door safety an important priority for consumers. For more information on child safety, write:

Andersen Corporation  
LookOut For Kids® Program  
100 Fourth Avenue North  
Bayport, MN 55003  
Call 1-800-313-8889 or email  
us at: lofk@andersencorp.com



## IMPACT GLASS UNITS NOTICE

Please note that Andersen® Stormwatch® products with impact-resistant glass are not hurricane- or shatter-proof. However, Andersen products with Stormwatch® protection glazed with impact-resistant glass are less susceptible to object penetration when broken than units glazed with other types of glass. Coastal products are tested to the impact performance requirements of The Large Missile Test of ASTM E1996/E1886 and/or Miami-Dade TAS201, 202, 203. Coastal products with impact-resistant glass have been tested for air, water and structural performance based on the requirements of a specific product performance rating. However, when these units are subjected to intense storms or extreme conditions, which exceed the intended product performance rating, air and water infiltration and flying debris penetration may occur.

In the event of an intense storm or extreme weather conditions, DO NOT stand in front of windows and doors. Make sure all windows and doors are closed, locked and any auxiliary hardware (tilt-wash retractable brackets) are engaged. Remove all window and door accessories such as grilles, art glass panels and insect screens. Seek safety at approved evacuation locations. If none are available, follow your community's predetermined evacuation route to a safe location.

## EXTERIOR PAINTING/SEALING OF ANDERSEN® PRODUCTS

The exterior of some Andersen products may be painted or stained. However, improper painting and staining may cause damage to vinyl, aluminum and other exterior materials. Please refer to the individual product sections for details on painting Andersen product exteriors.

## CAUTIONS

1. Do not apply any type of film to insulating glass. Thermal stress and glass damage can result. Andersen Corporation is not responsible for product performance when films are applied to Andersen products.
2. The use of removable insulating materials such as insulated window coverings, shutters and other shading devices may also cause thermal stress conditions and/or deformation of protective vinyl. In addition, excessive condensation may result, which can have a deteriorating effect on the window or patio door unit(s) involved. Andersen Corporation is not responsible for product performance when these kinds of materials or devices are applied to or used in conjunction with Andersen products.
3. In wall construction utilizing brick facades, leave adequate clearance between sill, jambs and brick for sealing and dimensional change of framework.
4. Acid solutions commonly used to wash brick and other masonry materials will damage glass, fasteners, hardware and metal flashing. Protect unit and follow cleaning product instructions carefully. Damage caused by acid solution is not covered under the Andersen limited warranty.
5. Andersen windows may be combined in almost unlimited ribbons or stacks if each unit is positively secured to structural elements on opposing sides and if the proper joining system is used. See page 193 for more information.

# Andersen® windows and doors can make significant contributions to the success of sustainable design strategies.

There are a number of recognized rating systems that identify and credit decisions that improve the environmental impact of building projects, including the U. S. Green Building Council (USGBC) Leadership in Energy and Environmental Design (LEED) Green Building Rating System for New Construction, the USGBC LEED Homes Rating System, and the National Association of Home Builders (NAHB) National Green Building Standard. The following sections examine the categories where Andersen products align with these key rating systems.

## USGBC LEED-NEW CONSTRUCTION v3

USGBC LEED-New Construction (NC) v3 is a comprehensive green building rating system for commercial projects covering six categories. Each category contains multiple credit point guidelines for a project team to consider during design, construction, and operation of the building. The credit points are then totaled to achieve one of four levels of certification: Certified, Silver, Gold or Platinum. Andersen® windows and patio doors may assist your project strategy in the following USGBC LEED-NC credits:

### Sustainable Sites

### Water Efficiency

### Energy & Atmosphere

- Minimum level of energy efficiency for building and systems
- Achieve levels of energy efficiency above prerequisite baseline
- Encourage on-site renewable energy
- Encourage the use of grid-source, renewable energy

### Materials & Resources

- Recyclable packaging
- Materials with recycled content
- Materials of regional origin\*
- Forest Stewardship Council (FSC) wood-based materials

### Indoor Environmental Quality

- Minimum indoor air quality – naturally vented
- Improve indoor air quality – naturally vented
- Low VOC emitting adhesives and sealants
- Low VOC emitting paints and coatings
- Composite wood contains no urea-formaldehyde
- Provide thermal comfort for spaces
- Provide daylight for spaces
- Provide exterior views for spaces

## USGBC LEED-HOMES V2008

USGBC LEED-Homes v2008 is a comprehensive green building rating system for residential projects covering eight categories. Each category contains multiple credit point guidelines for a project team to consider during design, construction, and function of the building. The credit points are then totaled to achieve one of four levels of certification: Certified, Silver, Gold or Platinum. Andersen windows and patio doors may assist your project strategy in the following USGBC LEED-Homes credits:

### Innovation & Design

- Wall openings incorporating air and water management systems

### Location & Linkages

### Sustainable Sites

### Water Efficiency

### Energy & Atmosphere

- Meet requirements of ENERGY STAR for homes
- Exceed requirements of ENERGY STAR for homes
- Meet requirements of ENERGY STAR for air leakage
- Exceed requirements of ENERGY STAR for air leakage
- Meet requirements of ENERGY STAR labeled windows
- Exceed requirements of ENERGY STAR labeled windows

### Materials & Resources

- Environmentally preferable products; recycled content
- Environmentally preferable products; FSC-certified
- Waste reduction; recyclable packaging

### Indoor Environmental Air Quality

- Pre-occupancy flush of home with fresh air through windows

### Awareness & Education

- Guidance for cleaning and maintenance of doors and windows
- Provide information to home owner of LEED features
- Provide information for public awareness of LEED features
- Provide information to building manager of LEED features

## NAHB NATIONAL GREEN BUILDING STANDARD

The NAHB National Green Building Standard is now called the ICC 700-2008 National Green Building Standard, is ANSI (American National Standards Institute) approved, and was written in collaboration with the International Code Council, and is a comprehensive green building rating system. Each category contains multiple credit point standards for a project team to consider during design, construction, and function of the building. The credit points are then compiled in order to achieve one of four levels of certification: Bronze, Silver, Gold or Emerald. Andersen windows and patio doors may assist your project strategy in the following NAHB National Green Building Standard credits:

### Site Design & Development

### Lot Design, Preparation & Development

### Resource Efficiency

- Windows and doors not requiring paint or stain
- Flashing details
- Construction materials recycled off-site
- Wood-based products from certified forestry
- Innovative practices

### Energy Efficiency

- Minimum energy requirements (mandatory)
- Fenestration (mandatory)
- Better energy requirements - performance path
- Better fenestration
- Additional practices - daylighting through roof
- Additional practices - renewable energy

### Water Efficiency

### Indoor Environmental Quality

- Pollutant source control - formaldehyde
- Pollutant source control - interior architectural coatings
- Pollutant source control - interior adhesives and sealants

### Operation, Maintenance & Building Owner Education

- Homeowner's binder
- Building construction manual

Based on ICC 700-2008 National Green Building Standard.

\*For projects within 500 mile radius of Bayport, Minnesota.

# Limited Warranty



**A-SERIES**

**owner2owner**  
 LIMITED WARRANTY

## Twenty (20) Year Transferable Limited Warranty Glass

The glass in Andersen® factory glazed A-Series window and door units (including dual-pane glass, High-Performance Low-E4® glass, High-Performance Low-E4® Sun glass, High-Performance Low-E4® SmartSun glass, High-Performance Low-E4® PassiveSun glass, Low-E glass, patterned glass (including: obscure, pebble, fern, reed and cascade designs), Finelight™ grilles, divided light grilles and tempered versions of these glass options) is warranted to be free from defects in manufacturing, materials and workmanship for twenty (20) years from the date of purchase from the retailer/dealer. It is also warranted not to develop, under normal conditions, any material obstruction of vision resulting from manufacturing defects or as a result of premature failure of the glass or organic seal for twenty (20) years from the date of purchase from the retailer/dealer. Patterned glass (including obscure, pebble, fern, reed and cascade designs) is warranted not to develop, under normal conditions, any material change in appearance resulting from manufacturing defects or as a result of premature failure of the glass or organic seal for twenty (20) years from the date of purchase from the retailer/dealer. This limited warranty on glass does not apply to special order glazings, Andersen® art glass, insulated art glass, impact-resistant glass or glass that is not factory installed by Andersen.

In the event a glass failure occurs as a result of a defect in manufacturing, materials or workmanship within the limited warranty period, Andersen, at its option, will: (1) provide the appropriate replacement glass product to the Andersen retailer/dealer you specify — labor is not included; or (2) provide a factory-authorized repair to the existing glass at no cost to you; or (3) refund the purchase price or the retailer's/dealer's price at the time of the original purchase, whichever is less. Such replacement or repair is warranted for the remainder of the original limited warranty period.

## Ten (10) Year Transferable Limited Warranty Components Other Than Glass

Non-glass portions of Andersen® A-Series windows and doors (including non-electric operators, locks, lifts, balance systems, hinges, handles, insect screens, weatherstripping, exterior trim, sash and frame members) are warranted to be free from defects in manufacturing, materials and workmanship for a period of ten (10) years from the date of purchase from the retailer/dealer. This limited warranty does not apply to Andersen electric window operators, retractable insect screens or finishes on bright brass and satin nickel door hardware.

In the event a component other than glass fails as a result of a defect in manufacturing, materials or workmanship within the limited warranty period, Andersen, at its option, will: (1) provide replacement parts to the Andersen retailer/dealer you specify — labor is not included; or (2) provide a factory-authorized repair to the existing component at no cost to you; or (3) refund the original purchase price or retailer's/dealer's price at the time of the original purchase, whichever is less. Such replacement parts or repairs are warranted for the remainder of the original limited warranty period.

### Corrosion-Resistant Hardware

Corrosion-resistant hardware (includes lock mechanism for inswing and outswing patio doors and outswing patio door corrosion-resistant hinges) is warranted to be free from mechanical failure due to corrosion caused by an electrolytic chemical reaction involving atmospheric salts, such as what may occur in coastal applications for a period of ten (10) years from the date of purchase from the retailer/dealer.

What is not covered by this corrosion-resistant hardware warranty: any and all aesthetic discoloration or pitting that may occur due to environmental conditions. Minimum maintenance such as cleaning with a mild detergent on a regular basis may be necessary to maintain the original hardware appearance.

### Finish on Corrosion-Resistant Hinges

The finish on corrosion-resistant outswing patio door hinges is warranted to be free from defects in manufacturing, materials and workmanship and warranted not to tarnish, peel, pit, flake, discolor or corrode for a period of ten (10) years from the date of purchase from the retailer/dealer.

In the event there is a mechanical failure of the lock mechanism for inswing or outswing patio doors or the interior hinges of an outswing hinged patio door or there is a defect in the finish on corrosion-resistant hinges or the finish on corrosion-resistant hardware within the limited warranty period, Andersen, at its option, will: (1) provide replacement parts to the Andersen retailer/dealer you specify - installation labor is not included; or (2) refund the original purchase price or retailer's/dealer's price at the time of the original purchase, whichever is less. Replacement parts are warranted for the remainder of the limited warranty period.

## Transferable Limited Warranty for Exterior Coatings

The coatings and exterior components (frame, sash, panel, window sills, patio door sills, grilles and exterior trim) on casement, awning, double-hung, picture, and transom windows, patio doors (inswing outswing, gliding) and sidelights are warranted not to develop corrosion caused by an electrolytic chemical reaction involving atmospheric salts, such as what may occur in coastal applications, for as long as the product is installed in its original structure.

What is not covered by this exterior coatings warranty: A-Series specialty windows and complementary patio doors; accessories and hardware such as insect screens, coil stock, hinges, handle trim sets and lock components.

In the event there is a defect covered by this limited warranty for exterior coatings within the limited warranty period, Andersen, at its option will: 1) refinish the product — labor is included (the finish will be applied with standard commercial refinishing techniques and may not be the same finish as originally applied to the product), 2) repair the product, 3) provide replacement part(s) or product(s) to the Andersen retailer/dealer you specify — labor is not included or 4) refund the purchase price or the retailer's/dealer's price at the time of the original purchase, whichever is less.

## Transferable Limited Warranty for Exterior Color Finish

The color finish on the exterior components (frame, sash, panel, window sills and grilles) on Andersen® A-Series casement, awning, double-hung, picture, transom windows, specialty windows, complementary windows, patio doors (inswing, outswing, gliding and sidelights) and complementary patio doors is warranted not to blister, crack, peel or lose adhesion for a period of twenty (20) years from the date of purchase from the retailer/dealer.

The color finish on the exterior components (frame, sash, panel, window sills and grilles) on Andersen® A-Series casement, awning, double-hung, picture, transom windows, specialty windows, complementary windows, patio doors (inswing, outswing, gliding and sidelights) and complementary patio doors is warranted to be free from manufacturing defects resulting in color fade greater than 5 delta E\* (when measured in accordance with ASTM D2244) for a period of ten (10) years from the date of purchase from the retailer/dealer.

What is not covered by this exterior color finish warranty: accessories and hardware, including insect screen frames, patio door sills, hinges, handles, trim sets and lock components, exterior trim profiles, exterior aluminum coil stock and complementary patio door insert panels.

In the event there is a defect covered by this limited warranty for exterior color finish within the limited warranty period, Andersen, at its option, will: 1) refinish the product — labor is included (the finish will be applied with standard commercial refinishing techniques and may not be the same finish as originally applied to the product), 2) repair the product, 3) provide replacement part(s) or product(s) to the Andersen retailer/dealer you specify - labor is not included or 4) refund the purchase price or the retailer's/dealer's price at the time of the original purchase, whichever is less.

\*Technical measurement of color fade

## Limited Warranty for A-Series Products with Stormwatch® Protection (Glazed with Impact Resistant Glass)

Andersen® A-Series window and door units glazed with impact-resistant glass are warranted to be free from defects in manufacturing, materials and workmanship for ten (10) years from the date of purchase from the retailer/dealer. They are also warranted not to develop, under normal conditions, any material obstruction of vision resulting from manufacturing defects or as a result of premature failure of the glass or organic seal for ten (10) years from the date of purchase from the retailer/dealer. This limited warranty does not apply to special glazings, Andersen art glass, insulated art glass, glass that is not factory installed by Andersen, Andersen electric window operators, retractable insect screens and the finish on bright brass or satin nickel door hardware.

In the event a component fails as a result of a defect in manufacturing, materials or workmanship within the limited warranty period, Andersen, at its option, will: (1) provide replacement parts to the Andersen retailer/dealer you specify — installation labor is not included; or (2) provide a factory authorized repair to the existing component at no cost to you; or (3) refund the original purchase price or retailer's/dealer's price at the time of the original purchase, whichever is less. Such replacement parts or repairs are warranted for the remainder of the original limited warranty period.

### General Conditions and Exclusions

The limited warranty set forth in this document is the only express warranty (whether written or oral) applicable to Andersen® A-Series windows and doors, and no one is authorized to modify or expand this limited warranty. All warranty claims must be made during the applicable warranty period.

**ALL IMPLIED WARRANTIES INCLUDING MERCHANTABILITY AND FITNESS FOR A PARTICULAR PURPOSE ARE LIMITED TO THE APPLICABLE STATUTE OF LIMITATION, BUT IN NO CASE WILL EXTEND BEYOND THE TERM OF THE LIMITED WARRANTIES SET FORTH ABOVE. ANDERSEN EXCLUDES AND WILL NOT PAY FOR INCIDENTAL OR CONSEQUENTIAL DAMAGES, WHETHER ARISING OUT OF CONTRACT, TORT OR OTHERWISE, AND ITS LIABILITY WILL IN ALL INSTANCES BE LIMITED TO THE REPAIR, REPLACEMENT OR REFUND OF THE ACTUAL PURCHASE PRICE OF THE DEFECTIVE PRODUCT.**

Some states do not allow the exclusion or limitation of incidental or consequential damages or limitation of the duration of an implied warranty, so the above limitations or exclusions may not apply to you.

This limited warranty is only applicable in the U.S.A. (i.e. the fifty states and the District of Columbia). This limited warranty gives you specific legal rights, and you may also have other rights which may vary from state to state.

### What is NOT covered by this limited warranty

#### Product failure or damage due to improper installation or modification including:

- Adjustments or corrections due to improper installation.
- Failures due to product modifications or glass shading devices (e.g., glass tinting, security systems, improper painting or staining, insulated coverings, etc.).
- Units improperly assembled or improperly mulled by others.
- Failure due to the application of non-Andersen hardware (e.g., locksets, trim sets, hinges, panic hardware, closers, etc.).
- Failure to properly install Andersen hardware and/or exterior trim.

#### Damage caused by the following:

- Improper installation or use, including use of a non-commercial door as a main entrance or exit door for a building other than a single-family residential unit or re-installing an Andersen window or door after it has been removed from a building and re-sold and/or re-installed in a different building.
- Exposure to conditions beyond published performance specifications.
- Water infiltration other than as a result of a defect in manufacturing, materials or workmanship.
- Condensation.
- Improper maintenance, such as use of brick wash, razor blades, sealants, sanding or improper washing.
- Failing to properly seal the exposed wood portions of a product. This includes, but is not limited to, the exposed wood on all sides of a door panel (e.g., exterior, interior, top, bottom, and both sides), a door frame and wood grilles.
- Chemicals or airborne pollutants.
- Delivery by others. • Accidents. • Acts of God. • Normal wear and tear.

#### Additional items excluded from this limited warranty:

- Labor to replace sash or door panels, glass or other components.
- Labor and other costs related to the removal and disposal of defective product.
- Labor and materials to paint or stain any repaired or replaced product, component, trim or other carpentry work that may be required.
- Products not manufactured by Andersen.
- The performance of the low-maintenance exterior glass coating on products with High-Performance Low-E4® glass. Performance will vary depending on environmental conditions.
- Slight glass curvature, minor scratches or other imperfections in the glass that do not impair structural integrity or significantly obscure normal vision.
- Rattling of grille bars within an air space.
- Tarnish or corrosion to hardware finishes, except on outswing patio door corrosion-resistant hinges.
- Special glazings. Contact us concerning the limited warranty on special glazings.
- Labor and window operators, retractable insect screens and bright brass and satin nickel finishes on door hardware. Contact us or refer to the specific limited warranties for these products.
- Andersen® 400 Series, 200 Series, 100 Series, 400 Series complementary windows and doors, folding patio doors, lift and slide patio doors and entranceways, Andersen® 400 Series windows with Stormwatch® protection and with impact-resistant glass, storm doors, Renewal by Andersen® windows, E-Series/Eagle® windows and doors, Silver Line® windows and doors, American Craftsman® windows and doors and Andersen® art glass and insulated art glass have their own limited warranties and are not covered by this limited warranty.
- Service trips to provide instruction on product use.

### How to register your Owner-To-Owner® limited warranty

Andersen offers quick, easy warranty registration on our website. Just go to [www.andersenwindows.com/warranty](http://www.andersenwindows.com/warranty) and submit your warranty information online. All warranty information is treated confidentially and will not be sold or traded to any person or organization outside of Andersen and the Andersen Dealer Network.



### How to get help

For further information or to make a claim within the applicable limited warranty periods, please contact the Andersen retailer/dealer who supplied you with your Andersen® product. If unavailable or unknown to you, you may contact us at:

Andersen Windows, Inc. / Andersen Service Center  
 100 Fourth Avenue North  
 Bayport, MN 55003-1096

You may also contact us using the Service section of our web site at [www.andersenwindows.com](http://www.andersenwindows.com) or reach us by phone at 1-888-888-7020.

### You can help us serve you faster by providing the following important information:

- Description of the product such as the exterior color, unit type and size and inside visible glass measurements.
- Glass logo information etched in the inside corner of the glass.
- Description of product concerns.
- Documentation of the purchase date, if available.
- Your name, address (with zip code) where the product is installed and telephone numbers.

If the limited warranty period has expired or for repairs not covered by the limited warranty, many replacement parts are available for purchase. When warranty coverage is unclear, Andersen may charge an inspection fee for any on-site product inspection. If the inspector determines the Andersen® product has a defect covered by this limited warranty, the inspection fee will be waived.

For specific warranty information outside the United States, please contact your local distributor or write to:

Andersen Corporation / International Division  
 100 Fourth Avenue North  
 Bayport, MN 55003-1096 USA

"Andersen" and all other marks where denoted are trademarks of Andersen Corporation and its subsidiaries. ©2014 Andersen Corporation. All rights reserved. Printed and effective as of January 2014.



# Limited Warranty

**400 SERIES**

Windows with Stormwatch® Protection

**owner2owner**  
 LIMITED WARRANTY

Andersen® 400 Series windows with Stormwatch® protection (High-Performance™ Low-E4® impact-resistant glass, High-Performance™ Low-E4® SmartSun™ impact-resistant glass, High-Performance™ Low-E4® Sun impact-resistant glass and Monolithic impact-resistant glass) are warranted to be free from defects in manufacturing, materials and workmanship for ten (10) years from the date of purchase from the retailer/dealer. They are also warranted not to develop, under normal conditions, any material obstruction of vision resulting from manufacturing defects or as a result of premature failure of the glass or organic seal for ten (10) years from the date of purchase from the retailer/dealer. This limited warranty does not apply to special glazings, Andersen® art glass, glass that is not factory installed by Andersen, Andersen electric window operators, retractable insect screens and the finish on bright brass or satin nickel door hardware.

The glass in Andersen® 400 Series windows with Stormwatch® protection (Performance Grade upgrade with standard High-Performance™ Low-E4® glass) is warranted to be free from defects in manufacturing, materials and workmanship for twenty (20) years from the date of purchase from the retailer/dealer. It is also warranted not to develop, under normal conditions, any material obstruction of vision resulting from manufacturing defects or as a result of premature failure of the glass or organic seal for twenty (20) years from the date of purchase from the retailer/dealer. This limited warranty does not apply to special glazings, Andersen® art glass, glass that is not factory installed by Andersen, Andersen electric window operators, retractable insect screens and the finish on bright brass or satin nickel door hardware.

In the event a component fails as a result of a defect in manufacturing, materials or workmanship within the limited warranty periods specified above, Andersen, at its option, will: (1) provide replacement parts to the Andersen retailer/dealer you specify — installation labor is not included; (2) provide a factory authorized repair to the existing component at no cost to you; or (3) refund the original purchase price or retailer's/dealer's price at the time of the original purchase, whichever is less. Such replacement parts or repairs are warranted for the remainder of the original limited warranty period.

## General Conditions and Exclusions

The limited warranty set forth in this document is the only express warranty (whether written or oral) applicable to Andersen® 400 Series windows with Stormwatch® protection and no one is authorized to modify or expand this limited warranty. All warranty claims must be made during the applicable warranty period.

**ALL IMPLIED WARRANTIES INCLUDING MERCHANTABILITY AND FITNESS FOR A PARTICULAR PURPOSE ARE LIMITED TO THE APPLICABLE STATUTE OF LIMITATION, BUT IN NO CASE WILL EXTEND BEYOND THE TERM OF THE LIMITED WARRANTIES SET FORTH ABOVE. ANDERSEN EXCLUDES AND WILL NOT PAY FOR INCIDENTAL OR CONSEQUENTIAL DAMAGES, WHETHER ARISING OUT OF CONTRACT, TORT OR OTHERWISE, AND ITS LIABILITY WILL IN ALL INSTANCES BE LIMITED TO REPAIR OR REPLACEMENT OR REFUND OF THE ACTUAL PURCHASE PRICE OF THE DEFECTIVE PRODUCT.**

Some states do not allow the exclusion or limitation of incidental or consequential damages or limitation of the duration of an implied warranty, so the above limitations or exclusions may not apply to you. This limited warranty is only applicable in the U.S.A. This limited warranty gives you specific legal rights, and you may also have other rights which may vary from state to state.

## What is NOT covered by this limited warranty:

### Product failure or damage due to improper installation or modification including:

- Adjustments or corrections due to improper installation.
- Failures due to product modifications or application of glass shading devices, glass tinting, or insulated coverings, installation of security systems or improper painting or staining.
- Units improperly assembled or improperly milled by others.
- Failure due to the application of non-Andersen hardware (e.g., locksets, trim sets, hinges, panic hardware, closers, etc.) or other non-Andersen components or accessories.
- Failure to properly install Andersen hardware and/or exterior trim.
- Installing a storm door over or with a patio door

### Damage caused by the following:

- Improper installation or use, including use of a non-commercial door as a main entrance or exit door for a building other than a single-family residential unit or re-installing an Andersen window after it has been removed from a building and re-sold and/or re-installed into a different building.
- Exposure to conditions beyond published performance specifications.
- Water infiltration.
- Condensation.
- Improper maintenance, such as use of brick wash, razor blades, sealants, sanding or improper washing.
- Failing to properly seal the exposed wood portions of a product. This includes, but is not limited to wood grilles.
- Chemicals or airborne pollutants, such as salt or acid rain.

## What is NOT covered by this limited warranty, continued:

- Delivery by others.
- Accidents.
- Acts of God.
- Normal wear and tear.

## Additional items excluded from this limited warranty:

- Labor to replace sash, glass or other components.
- Labor and other costs related to the removal and disposal of defective product.
- Labor and materials to paint or stain any repaired or replaced product, component, trim or other carpentry work that may be required.
- Products not manufactured by Andersen.
- The performance of the low-maintenance exterior glass coating on products with High-Performance™ Low-E4® glass and High-Performance Low-E4 impact-resistant glass. Performance will vary depending on environmental conditions.
- Slight glass curvature, minor scratches or other imperfections in the glass that do not impair structural integrity or significantly obscure normal vision.
- Rattling of grille bars within an air space.
- Tarnish or corrosion to hardware finishes.
- Stress cracks and broken glass.
- Special glazings. Contact us concerning the limited warranty on special glazings.
- Andersen® art glass, decorative insulated art glass and electric window operators. Contact us or refer to the specific limited warranties for these products.
- Andersen® A-Series, 200 and 400 Series windows and doors without Stormwatch® protection (impact-resistant glass and windows with performance grade upgrade), storm doors, Renewal by Andersen® products, Eagle® windows and doors, Silver Line® windows and doors and American Craftsman® windows and doors have their own limited warranties and are not covered by this limited warranty. For information on warranty coverage for these products, please refer to the specific limited warranties for these products. They are available from your dealer or at [www.andersenwindows.com/warranty](http://www.andersenwindows.com/warranty).
- Service trips to provide instruction on product use.

## How to register your limited warranty

Andersen offers quick, easy warranty registration on our website. Just go to [www.andersenwindows.com/warranty](http://www.andersenwindows.com/warranty) and submit your warranty information online. By registering, you will expedite any warranty service you may have in the future. In addition, you can receive product information updates, safety notices and special offers regarding new products, as well as information regarding enhancements for the windows and doors you've registered.



All warranty information is treated confidentially and will not be sold or traded to any person or organization outside of Andersen and the Andersen Dealer Network.

## How to get help

For further information or to make a claim within this limited warranty period, please contact the Andersen retailer/dealer who supplied you with your Andersen product. If unavailable or unknown to you, you may contact us at:

Andersen Windows, Inc./Andersen Service Center  
 100 Fourth Avenue North  
 Bayport, MN 55003-1096

You may also contact us using the Customer Care section of our web site at: [www.andersenwindows.com](http://www.andersenwindows.com) or reach us by phone at 1-888-888-7020.

## You can help us serve you faster by collecting and including the following important information:

- Description of the product such as the window type, exterior color, unit size and inside visible glass measurements.
- Glass logo information etched in the inside corner of the glass.
- Description of product concerns.
- Documentation of the purchase date, if available.
- Your name, address (with zip code) where the product is installed and telephone numbers.

If the limited warranty period has expired or for repairs not covered by the limited warranty, many replacement parts are available for purchase. When warranty coverage is unclear, Andersen may charge an inspection fee for any on-site product inspections. If the inspector determines the Andersen product has a defect covered by this limited warranty, the inspection fee will be waived.

For specific warranty information outside the United States, please contact your local distributor or write to:

Andersen Corporation  
 International Division  
 100 Fourth Avenue North  
 Bayport, MN 55003-1096 USA



# QUICK REFERENCE CHART

SERIES	PRODUCT	EXTERIOR COLORS										WOOD SPECIES					PAINTED			
		WHITE	CANVAS	SANDTONE	PRAIRIE GRASS	TERRATONE	FOREST GREEN	DOVE GRAY	DARK BRONZE	COCOA BEAN	RED ROCK	BLACK	PINE	OAK	MAPLE	CHERRY	MAHOGANY*	VERTICAL GRAIN DOUGLAS FIR	WHITE	BIRCH BARK
	WINDOWS / PATIO DOORS / SPECIALTY																			
A-Series Windows with Stormwatch® protection	Casement Window	●	●	●	●	●	●	●	●	●	●	●	●	●	●	●	●	●	●	●
	Awning Window	●	●	●	●	●	●	●	●	●	●	●	●	●	●	●	●	●	●	●
	Double-Hung Window	●	●	●	●	●	●	●	●	●	●	●	●	●	●	●	●	●	●	●
	Picture Window	●	●	●	●	●	●	●	●	●	●	●	●	●	●	●	●	●	●	●
	Venting Transom Window	●	●	●	●	●	●	●	●	●	●	●	●	●	●	●	●	●	●	●
	Stationary Transom Window	●	●	●	●	●	●	●	●	●	●	●	●	●	●	●	●	●	●	●
400 Series Windows with Stormwatch® protection	Casement Window	●	●	●	●	●	●	●	●	●	●	●	●	●	●	●	●	●	●	●
	Awning Window	●	●	●	●	●	●	●	●	●	●	●	●	●	●	●	●	●	●	●
	Double-Hung Window	●	●	●	●	●	●	●	●	●	●	●	●	●	●	●	●	●	●	●
	Picture Window	●	●	●	●	●	●	●	●	●	●	●	●	●	●	●	●	●	●	●
	Stationary Transom Window	●	●	●	●	●	●	●	●	●	●	●	●	●	●	●	●	●	●	●
A-Series Specialty Windows with Stormwatch® protection	Specialty Window	●	●	●	●	●	●	●	●	●	●	●	●	●	●	●	●	●	●	●
400 Series Specialty Windows with Stormwatch® protection	Specialty Window	●	●	●	●	●	●	●	●	●	●	●	●	●	●	●	●	●	●	●
A-Series Patio Doors with Stormwatch® protection	Frenchwood® Gliding Patio Door	●	●	●	●	●	●	●	●	●	●	●	●	●	●	●	●	●	●	●
	Frenchwood® Hinged Inswing Patio Door	●	●	●	●	●	●	●	●	●	●	●	●	●	●	●	●	●	●	●
	Frenchwood® Hinged Outswing Patio Door	●	●	●	●	●	●	●	●	●	●	●	●	●	●	●	●	●	●	●
	Frenchwood® Patio Door Transom	●	●	●	●	●	●	●	●	●	●	●	●	●	●	●	●	●	●	●
	Frenchwood® Patio Door Sidelight	●	●	●	●	●	●	●	●	●	●	●	●	●	●	●	●	●	●	●

Printing limitations prevent exact color duplication. See your Andersen supplier for actual color samples.

PREFINISHED INTERIORS						HARDWARE FINISHES											GLASS						
CLEAR COAT	HONEY	CINNAMON	RUSSET	MOCHA	ESPRESSO	ANTIQUE BRASS	BLACK	BRIGHT BRASS	BRUSHED CHROME	DISTRESSED BRONZE	DISTRESSED NICKEL	GOLD DUST	OIL RUBBED BRONZE	POLISHED CHROME	SATIN NICKEL	STONE	WHITE	LOW-E4® IMPACT-RESISTANT GLASS	LOW-E4® SMARTSUNT™ IMPACT-RESISTANT GLASS	LOW-E4® SUN IMPACT-RESISTANT GLASS	GRAY MONOLITHIC IMPACT-RESISTANT GLASS	CLEAR MONOLITHIC IMPACT-RESISTANT GLASS	
•	•	•	•	•	•	•	•	•	•		•	•		•	•	•	•	•	•				
•	•	•	•	•	•	•	•	•	•		•	•		•	•	•	•	•	•				
•	•	•	•	•	•	•		•	•			•		•	•	•	•	•	•				
•	•	•	•	•	•							•		•	•	•	•	•	•				
•	•	•	•	•	•	•	•	•	•			•		•	•	•	•	•	•				
•	•	•	•	•	•													•	•	•			
						•	•	•	•	•	•	•	•	•	•	•	•	•	•	•	•	•	•
						•	•	•	•	•	•	•	•	•	•	•	•	•	•	•	•	•	•
						•	•	•	•	•	•	•	•	•	•	•	•	•	•	•	•	•	•
																		•	•	•			
																		•	•	•			
•	•	•	•	•	•													•	•	•			
																		•	•	•	•	•	•
•	•	•	•	•	•	•	•	•	•	•	•	•	•	•	•	•	•	•	•				
•	•	•	•	•	•	•	•	•	•	•	•	•	•	•	•	•	•	•	•				
•	•	•	•	•	•	•	•	•	•	•	•	•	•	•	•	•	•	•	•				
•	•	•	•	•	•													•	•	•			

\*Actual wood is Sapele, a non-endangered species of mahogany grown in Africa, with color and characteristics similar to American mahogonies.

\*\*PG upgrade units only on 400 Series double-hung windows.

21	A-Series Windows Overview	95	A-Series Frenchwood® Patio Doors Overview	151	400 Series Casement & Awning Windows
25	A-Series Casement & Awning Windows	102	A-Series Frenchwood® Gliding Patio Doors	169	400 Series Tilt-Wash Double-Hung Windows
31	A-Series Double-Hung Windows	106	A-Series Frenchwood® Hinged Inswing Patio Doors	179	400 Series Specialty Windows
36	A-Series Picture Windows	112	A-Series Frenchwood® Hinged Outswing Patio Doors	193	Combination Designs & Product Performance
42	A-Series Transom Windows	116	A-Series Frenchwood® Patio Door Sidelights & Transoms		
49	A-Series Window Joining Details	123	A-Series Frenchwood® Patio Door Joining Details		
52	A-Series Window Custom Sizes	127	A-Series Frenchwood® Patio Door Custom Sizes		
55	A-Series Specialty Windows	129	A-Series & 400 Series Exterior Trim		



# THE ENVIRONMENT HAS A BUSINESS PARTNER

Respect for the environment is nothing new at Andersen. For more than a century, it's been part of who we are. Our commitment to recycle and reclaim materials began simply because it was good business. Now it's part of our commitment to sustainability and responsible stewardship of all our resources. Andersen is committed to providing you with long-lasting, energy-efficient windows and doors. Visit [andersencorporation.com/sustainability](http://andersencorporation.com/sustainability) for more information.



Andersen Corporation has earned the U.S. Environmental Protection Agency's 2013 ENERGY STAR® Partner of the Year – Sustained Excellence Award. This award recognizes manufacturers for delivering ENERGY STAR® qualified products that help customers reduce energy costs, and for reducing emissions during manufacturing. Visit [andersenwindows.com/energystar](http://andersenwindows.com/energystar) for more information.



The Window & Door Manufacturers Association (WDMA) Hallmark Certification program includes product testing and quality control process audits to verify that Andersen® windows and doors are produced in conformance with the industry standards for air, water resistance and structural performance.



Andersen has received Forest Stewardship Council (FSC®) Chain of Custody certification. Among the first of its kind in the window and door industry, this certification is awarded by Scientific Certification Systems to companies that meet stringent standards for traceability in their wood supply chain. This helps you gain important USGBC LEED Materials & Resources credits.

©1996 Forest Stewardship Council A.C. SCS-COC-001337

All FSC certified wood projects are subject to review and approval.



Andersen products are certified under the National Fenestration Rating Council's voluntary third-party certification program designed to ensure accurate energy performance ratings and labeling.





## PDF NAVIGATION TIPS

Welcome to an overview of the enhanced navigation tools available in this PDF. Here are some simple tips on PDF navigation. Before you begin be sure you are using the latest version of Adobe Acrobat Reader DC, available at – <https://get.adobe.com/reader/>

To watch a 3-minute tutorial on navigating catalog PDFs, go to: <https://youtu.be/sWWnYn6ON3Y>

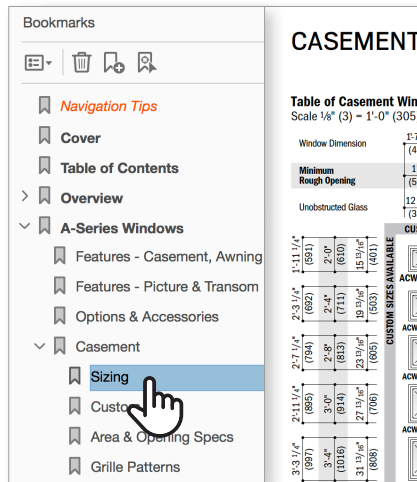
### BOOKMARK NAVIGATION

①

Acrobat will display the bookmarks panel when you open the PDF.

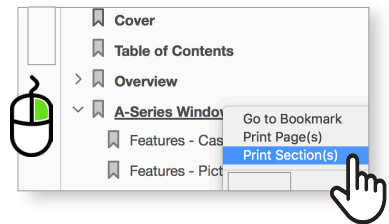
**Bookmarks** are the easiest way to find specific product information.

Select a topic and that page will be displayed.



②

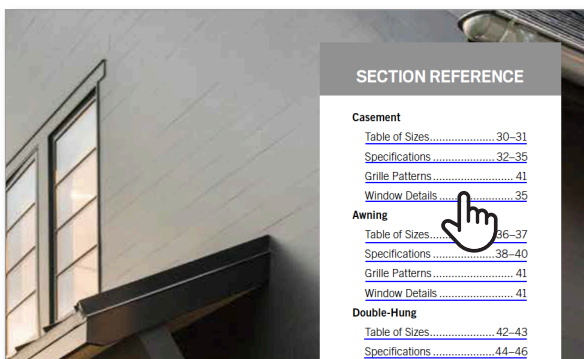
If you need to print a specific section, **right click on that section** within in the bookmarks panel and choose “**Print Section.**”



### LINKS AND URL NAVIGATION

①

You can also use the **embedded links** to navigate between sections. All links are underlined in blue.




②

Website links automatically open in your web browser.

### Beauty in the Details.

The hardware for our A-Series windows is created exclusively for Andersen and is made of forged metal for added strength. A range of available finishes makes it easy for customers to coordinate their window hardware with their cabinet hardware, faucets and other room décor.

Also available with VeriLock® Security Sensors, one of the most advanced technologies in the industry. For more information, see [pages 16-17](#) or visit [andersenwindows.com/connect](https://andersenwindows.com/connect).



*The tilt-in feature of A-Series allows one-hand operation*





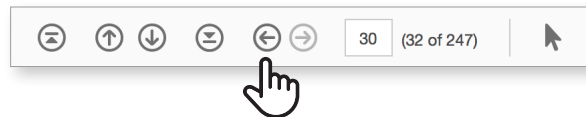
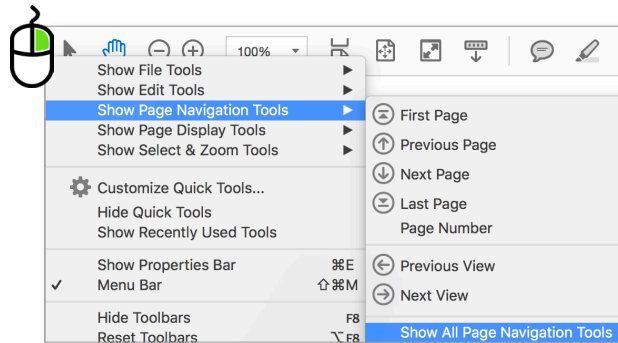
Add additional navigation tools by adjusting the default settings in Acrobat.

## TOOL BAR NAVIGATION

1

To add a **“Jump Back” Button** to your tool bar, **right click on tool bar**, select **Show Page Navigation Tools** and choose **Show All Page Navigation Tools**.

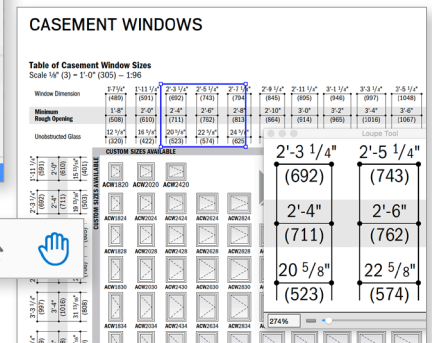
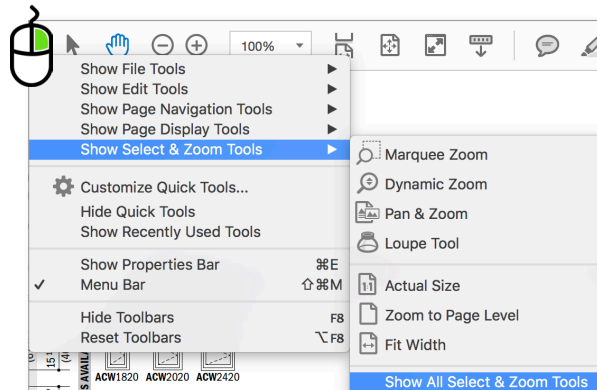
Right and left facing arrows are added to the tool bar allowing you to go back or forward to the last page you viewed.



2

Another helpful tool is the **Loupe Tool**. It allows you to zoom in on the page without having to increase the page size.

To add a **Loupe Tool** to your tool bar, **right click on tool bar**, select **Show Select & Zoom Tools** and then choose **Show All Select & Zoom Tools**.



3

You can also use the **commenting tools**. Add a post-it-note with your comments or highlight important information.

Be sure to save the file.



To watch a 3-minute tutorial on navigating catalog PDFs, go to: <https://youtu.be/sWWnYn60N3Y>

We are always looking for ways to improve.  
Please send feedback to [webmarketing@andersencorp.com](mailto:webmarketing@andersencorp.com).