



Architectural Authenticity.
Unparalleled Performance.



CONTENTS

A-SERIES

Product Overview	2
A-Series Windows	25
A-Series Specialty Windows	71
A-Series Complementary Casement Windows	117
A-Series Frenchwood® Patio Doors	123
A-Series Complementary Curved Top Patio Doors	163
Exterior Trim	173
<hr/>	
Folding Doors	179
Entranceways	185
<hr/>	
Combination Designs	206
Product Performance	214
Sustainability	234
Installation Accessories	236
Warranties	238–240



America's MOST RECOGNIZED & TRUSTED*
brand of windows and patio doors



Hanley Wood Builder Use
Study 1998-2017, Windows –
Wood & Clad-Wood Category



Awarded Most Environmentally
Friendly Windows 6 years
running 2011-2017.

Andersen Corporation, including its subsidiaries, has been named a 2018 ENERGY STAR® Partner of the Year – Sustained Excellence Award winner, the highest honor given by ENERGY STAR for continued leadership in protecting the environment through superior energy efficiency achievements.**

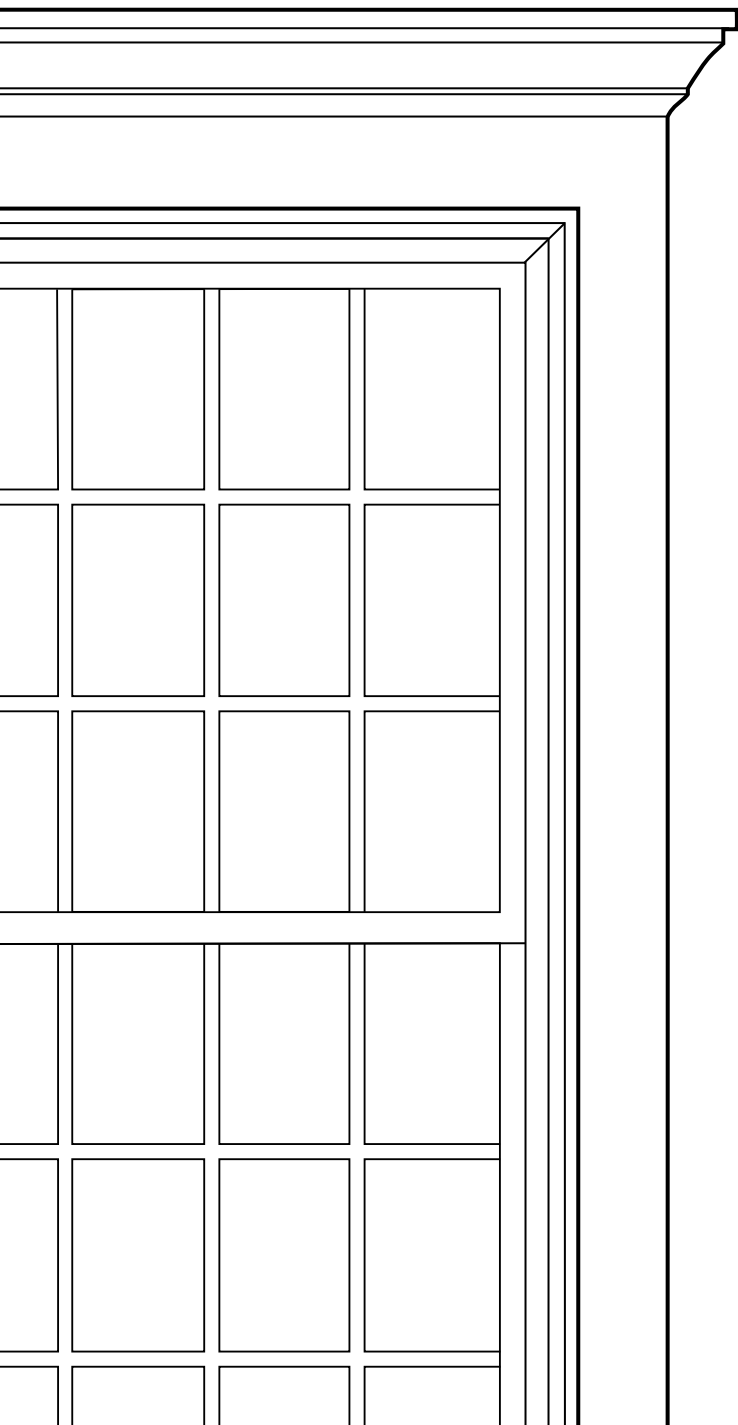


*Based on 2016 homeowner brand survey and 2016 survey of trade contractors; Andersen family of brands aggregated.
**"ENERGY STAR" is a registered trademark of the U.S. Environmental Protection Agency.

Andersen®
ARCHITECTURAL
COLLECTION



A-SERIES
WINDOWS & DOORS



Create Distinction.

Whether you're looking for traditional or contemporary style, performance or innovation, you'll find it in the Andersen® Architectural Collection.

Our A-Series windows and doors, as part of the Architectural Collection, were designed in tandem with architects to provide authentic architectural style. They share features such as sight lines, glass setback, interfaces and size grid, so they're easy to work with and easy to specify. And you can do so knowing you're choosing the best-performing, most energy-efficient windows and doors Andersen has ever offered.

For more information, visit andersenwindows.com/a-series.



Unparalleled Performance

Our Best-Performing, Most Energy-Efficient Products.

The beauty of A-Series products goes beyond their looks and authentic architectural style. They're also the best-performing, most energy-efficient windows and doors we've ever offered. At Andersen, we believe our job is to do more than just make windows and doors. It's also to make you look good to your customers today and for years to come.

ENERGY-SAVING GLASS AND DESIGN

Andersen makes windows and doors with options that make them ENERGY STAR® v. 6.0 certified throughout the United States.

Visit andersenwindows.com/energystar for more information and to verify that the product with glass option is ENERGY STAR certified in your area.



RIGOROUSLY TESTED

A-Series products have withstood testing that has taken them from temperatures as cold as Alaskan winters to the heat of Death Valley summers. They've stood up to hurricane-force winds and prolonged exposure to sea air.*

A-Series products feature the following ratings:

(Ratings vary by product performance and unit size. See the performance section for specific unit performance. For up-to-date performance values, visit andersenwindows.com.)

Windows	PG50 (DP50)
Gliding Patio Doors	PG50 (DP50)**
Hinged Patio Doors	PG45 (DP45)



FWHID33100HP +50/-50
(AAMA/WDMA/CSA 101/I.S.2/A440-08 & -11)

BUILT STRONG

We use solid wood in interior door panels and window sash and frames, plus fiberglass on outer door frames and window sash exteriors, to provide an unmatched combination of strength, insulation, versatility and beauty. Additionally, our Fibrex® composite material used in window frames and trim components delivers twice the strength and rigidity of vinyl.



VIRTUALLY MAINTENANCE-FREE EXTERIORS

Exteriors of A-Series windows and doors never need painting. They won't flake, rot, blister, peel, pit or corrode.†† Plus they're **warranted against corrosion for the life of the products,‡ with no washing or waxing required.††**



WATER MANAGEMENT THAT WORKS

These features work together to direct water away from buildings:

- Hermetically sealed corner keys keep frames tight
- Sloped sill on double-hung windows
- Sill on patio doors channels water away from the home
- Innovative trim attachment flange secures trim independent of the window or door's water management system



Andersen A-Series products are available with impact-resistant glass and structural upgrades to meet the tough building codes of coastal areas. Visit andersenwindows.com/coastal or refer to the *Andersen® Coastal Product Guide* for more information. See your local building code official for specific requirements.



FWHID33100HP Impact DPUP +65/-70
(AAMA/WDMA/CSA 101/I.S.2/A440-08 & -11)

OWNER2OWNER® LIMITED WARRANTY

Our renowned Owner-2-Owner® limited warranty is fully transferrable and not prorated, making it one of the best coverage plans available — which means it can add resale value for your customers. It's also supported by the industry's largest service network.††

SEALS OUT THE WEATHER

Weather-resistant seals stand up to eight inches of rain per hour and hurricane-force winds.* Double-hung windows feature a dual-bulb seal, and casement windows use refrigerator-type gaskets to help keep air and water out.

FIBERGLASS JOINING SYSTEM

Reinforced joining options using innovative 4 3/16" fiberglass joining plates, provide enhanced performance, design flexibility and the ultimate in job site conveniences. See page 24 to learn more.

* Tested to AAMA/WDMA/CSA 101/I.S.2/A440-08 & -11 PG50.

** Three- and four-panel gliding doors 8' height units PG40.

† FWHID33100HP +50/-50 (AAMA/WDMA/CSA 101/I.S.2/A440-08 & -11). For more information, visit andersenwindows.com/a-series.

†† Visit andersenwindows.com/warranty for details.

‡ Hardware excluded.

‡ ‡ FWHID33100HP Impact DPUP +65/-70 (AAMA/WDMA/CSA 101/I.S.2/A440-08 & -11). For more information, visit andersenwindows.com/coastal.



CRAFTSMAN BUNGALOW

Shown with quintessential Andersen® A-Series window and door combinations.

An Authentic Innovation for Authentic Style.

For a home to be authentic to an architectural style, its windows and doors must be authentic to the style as well. Not only the type of windows and doors, but also their exterior trim, color palettes, grille patterns, hardware, wood species and interior finish.

That's why Andersen has created the Home Style Library. A first in the industry, the style library shows how easily you can use A-Series products and their innovative system of options to make architectural authenticity not only possible, but also easy to achieve.



Industrial Modern

THE HOME STYLE LIBRARY

Years of research have culminated in a powerful tool we call our Home Style Library that makes it easier than ever for you to create homes in a wide variety of architectural styles.

CREATING A COMMON LANGUAGE WITH HOMEOWNERS

Our Home Style Library gives you, your clients and your customers a shared vocabulary that makes it easy to discuss style preferences and architectural details.

THE ELEMENTS OF STYLE

Each home featured in our Home Style Library contains suggested combinations of Andersen® A-Series windows, doors, hardware, exterior trim and color palettes that are authentic to that home's architectural style.

The A-Series product combinations shown here were selected with the help of leading architects to create the Craftsman Bungalow home shown to the left.



Tall fractional with simulated check rail grille pattern

A-Series casement window: Dark Bronze

Flat exterior trim with extended sill nose: Prairie Grass

A-SERIES STYLE RECOMMENDATIONS

EXTERIOR COLOR



Prairie Grass/Dark Bronze

INTERIOR STAIN



Espresso

HARDWARE



Window: Traditional Folding Handle

Patio Door: Albany

Finish: Black

HOME STYLE LIBRARY PREVIEW

The Home Style Library includes classically recognized architectural styles. To view our complete Home Style Library, or to share it with your customers, visit andersenwindows.com/stylelibrary.



French Eclectic



American Farmhouse



Georgian/Federal



Cape Cod



Tudor



Queen Anne



Prairie



Exterior Options to Match Any Style.

A-Series products are available in a wide range of exterior colors and exterior trim choices. Even in harsh conditions, they're virtually maintenance-free, hold their original vibrant colors, never need painting and won't flake, rot, blister, peel, pit or corrode.*

EXTERIOR TRIM

- Trim is available to complement a wide range of architectural styles
- Trim can be ordered as pre-assembled surrounds, in precut kits or as individual components
- Innovative trim attachment flange on A-Series windows allows pre-assembled exterior trim surrounds to be installed in seconds
- Installed independent of the window or door's water management system

See trim installation video at andersenwindows.com/exteriortrim.

EXTERIOR COLORS

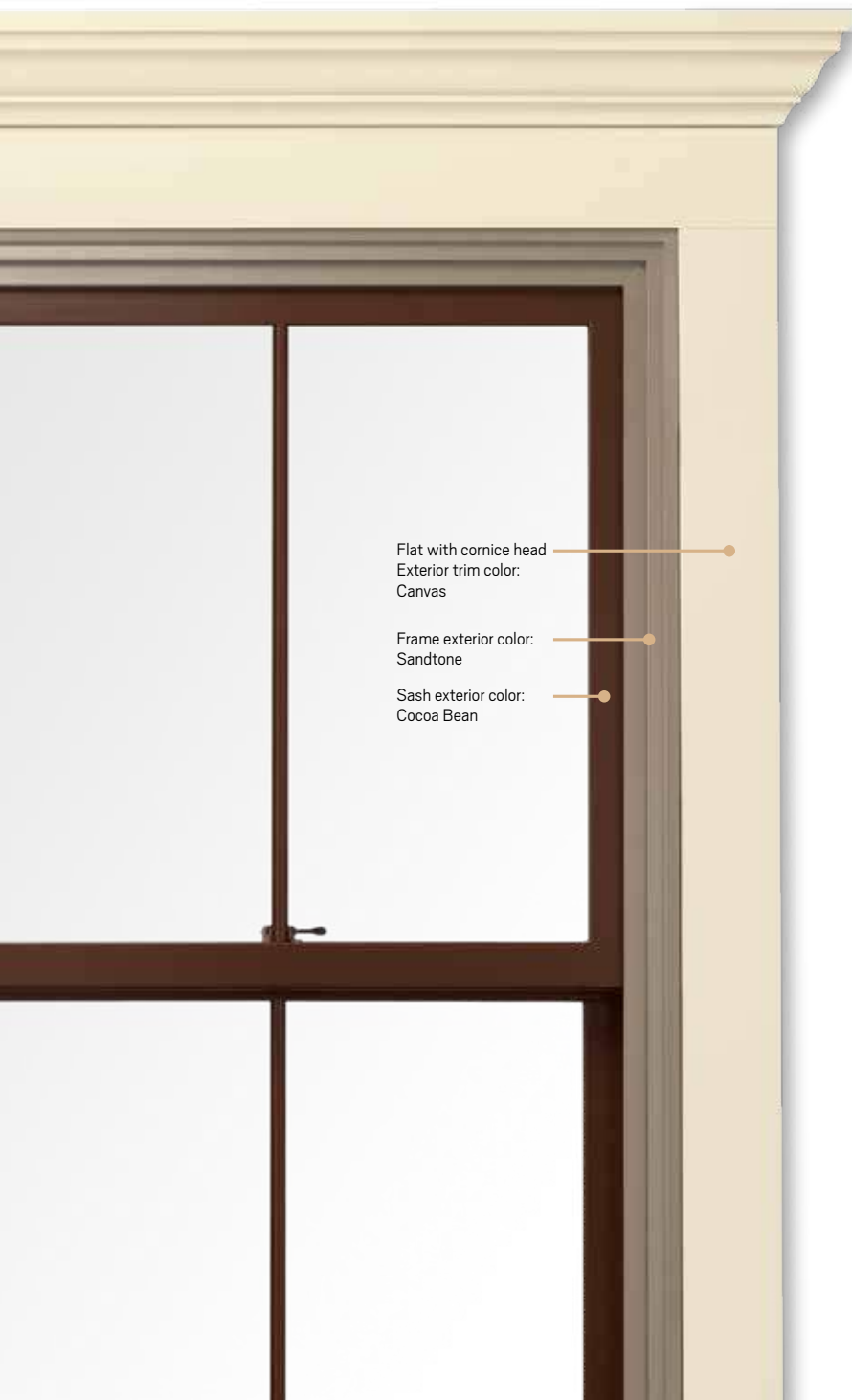


Select any combination of colors shown here for your exterior frame, sash and trim.

* Visit andersenwindows.com/warranty for details. Printing limitations prevent exact duplication of colors and finishes. See your Andersen supplier for actual color and finish samples.

EXTERIOR TRIM THAT FITS WINDOWS, PATIO DOORS AND YOUR VISION

Exterior trim adds a finishing touch to your windows or doors and is often essential in achieving authentic architectural style. You can match the color of your windows or doors or complement them with a different color. Durable A-Series exterior trim is low-maintenance and never needs painting.



- Flat with cornice head
Exterior trim color:
Canvas
- Frame exterior color:
Sandtone
- Sash exterior color:
Cocoa Bean

EXTERIOR TRIM STYLE OPTIONS



2" (51) Brick Mould
shown in Canvas



3 1/2" (89) or 4 1/2" (114) Flat
shown in Terratone



3 1/2" (89) or 4 1/2" (114) Flat with extended head
shown in Red Rock



3 1/2" (89) or 4 1/2" (114) Flat with decorative drip cap
shown in Forest Green



3 1/2" (89) or 4 1/2" (114) Flat with 2" (51) cornice head
shown in Prairie Grass



3 1/2" (89) or 4 1/2" (114) Flat with 3 5/8" (92) cornice head
shown in White

EXTERIOR TRIM SILL OPTIONS



2" (51) Brick Mould with extended sill nose
shown in Terratone



3 1/2" (89) or 4 1/2" (114) Flat
shown in Sandtone



3 1/2" (89) or 4 1/2" (114) Flat with extended sill
shown in White



3 1/2" (89) or 4 1/2" (114) Flat with extended sill nose
shown in Prairie Grass

Dimensions in parentheses are in millimeters.
Printing limitations prevent exact color duplication.
See your Andersen supplier for actual color samples.



Interior Options to Match Any Vision.

With six natural wood species, a variety of painted interiors and six, rich factory-finished stain options, the A-Series products provide the flexibility you need to create interiors that please both you and your customers.

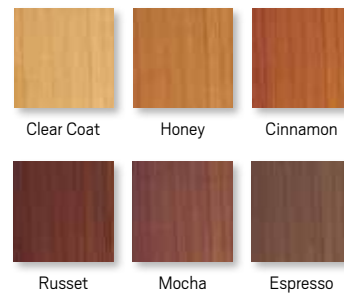
INTERIOR WOOD SPECIES OPTIONS



* Actual wood is Sapele, a non-endangered species of mahogany grown in Africa, with color and characteristics similar to American mahoganies. Naturally occurring variations in grain, color and texture of wood make each window one of a kind. We cannot guarantee consistency in wood grain and/or color within a particular species, product or project. Printing limitations prevent exact duplication of colors and finishes. See your Andersen supplier for actual color and finish samples.

STAINED INTERIOR OPTIONS

Shown on pine. Available on pine, maple and oak only.



PAINTED INTERIOR OPTIONS

Available on pine.



Additional colors to match all 11 exterior colors are also available, contact your Andersen supplier.

Beauty in the Details.

The hardware for our A-Series windows is created exclusively for Andersen and is made of forged metal for added strength. A range of available finishes makes it easy for customers to coordinate their window hardware with their cabinet hardware, faucets and other room décor.

Also available with VeriLock® Security Sensors, one of the most advanced technologies in the industry. For more information, see pages 16-17 or visit andersenwindows.com/connect.



The tilt-in feature of A-Series double-hung windows allows one-hand operation for easier cleaning.

DOUBLE-HUNG HARDWARE

TRADITIONAL

Lock & Keeper



Hand Lift



Bar Lift



Finger Lift



Bold name denotes finish shown.

- Antique Brass
- Black
- Bright Brass
- Brushed Chrome
- Distressed Bronze
- Distressed Nickel

- Gold Dust
- Oil Rubbed Bronze
- Polished Chrome
- Satin Nickel**
- Stone
- White

CASEMENT AND AWNING HARDWARE

TRADITIONAL FOLDING



CONTEMPORARY FOLDING

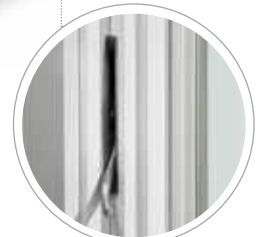


Bold name denotes finish shown.

- Antique Brass**
- Black
- Bright Brass
- Brushed Chrome
- Distressed Bronze
- Distressed Nickel
- Gold Dust
- Oil Rubbed Bronze
- Polished Chrome
- Satin Nickel
- Stone
- White

- Black**
- Bright Brass
- Gold Dust
- Oil Rubbed Bronze
- Satin Nickel
- Stone
- White

Folding handle avoids interference with window treatments.



Casement locking mechanism

WINDOW HARDWARE FINISH OPTIONS



Hardware sold separately except double-hung lock and keeper. Distressed bronze and oil rubbed bronze are "living" finishes that will change with time and use. Printing limitations prevent exact duplication of colors and finishes. See your Andersen supplier for actual color and finish samples.

• DOOR HARDWARE •

Bold name denotes finish shown.

Hardware for Every Door. Styles for Every Person.



YUMA®

Distressed Bronze | **Distressed Nickel**

ENCINO®

Distressed Bronze | Distressed Nickel

ANVERS®

Bright Brass | Oil Rubbed Bronze
Satin Nickel

NEWBURY®

Antique Brass | Bright Brass
Brushed Chrome
Oil Rubbed Bronze
Polished Chrome | Satin Nickel

FSB® HINGED PATIO DOOR HARDWARE

NEW!

Durable, stainless steel FSB® hinged door hardware features clean lines and a sleek satin finish for a thoroughly modern look. Choose from four handle styles.



Satin Stainless Steel



1035

1075

1076

1102

Hardware sold separately. "FSB" is a registered trademark of Franz Schneider Brakel GmbH & Co.

A-Series patio door hardware is available in a variety of different designs to match virtually any style. Yuma®, Encino®, Anvers®, Newbury®, Covington™ and Whitmore® hardware options each feature solid, drop-forged brass for added strength, while Albany and Tribeca® hardware options are made of diecast zinc with durable powder-coated finishes. Additional hardware options such as exterior keyed locks, matching hinge finishes and more are also available. See pages 16-17 for information on the Yale® Assure Lock® and other Smart Home Solutions.



COVINGTON™
Antique Brass | **Bright Brass**
Oil Rubbed Bronze



WHITMORE®
Antique Brass | Bright Brass
Oil Rubbed Bronze | Satin Nickel



ALBANY
Black | **Gold Dust**
Stone | White



TRIBECA®
Stone | **White**



A-Series hinged inswing door
with FSB® 1075 hardware

DOOR HARDWARE FINISH OPTIONS



Hardware sold separately.
Matching hinges available in most hardware finishes for inswing patio doors.
Distressed bronze and oil rubbed bronze are “living” finishes that will change with time and use.
Bright brass and satin nickel finishes on patio door hardware feature a 10-year limited warranty.
Printing limitations prevent exact finish replication. See your Andersen supplier for actual finish samples.

• GRILLES •

A-Series Grilles for Every Home.

Andersen® A-Series windows and doors offer a variety of architecturally authentic grille types and standard grille patterns. We'll also work with you to provide your customers with custom grille designs for a signature look.



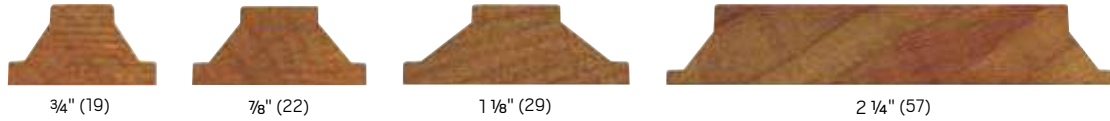
To see all the standard patterns available for a specific window or door, refer to the detailed sections of this book for each product or contact your Andersen supplier.

Diamond	Queen Anne	Colonial	Modified Colonial	Modified Colonial with 2 1/4" (57) rail*
Tall Fractional	Tall Fractional with 2 1/4" (57) rail*	Short Fractional	Short Fractional with 2 1/4" (57) rail*	Prairie A
Simulated Double-Hung Our 2 1/4-inch-wide grille can make a casement window look like a double-hung.	2x2	1x4	Specified Equal Light**	
			Custom Patterns	

* Simulated check rails are also available in 7/8" (22) and 1 1/8" (29) widths.
 ** Specify number of same-size rectangles wide or high. Some restrictions may apply.
 Some grille patterns not available in all configurations and products. Dimensions in parentheses are in millimeters.

GRILLE WIDTHS (ACTUAL SIZE SHOWN)

Shown: Cross sections of grilles showing standard widths and profiles

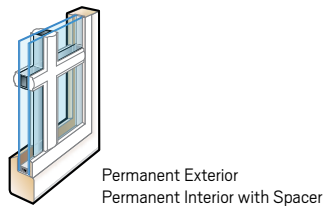


Our 2 1/4\"(57) width grille can be positioned horizontally across the center of a casement window to simulate the look of a double-hung window.

GRILLE CONFIGURATIONS

FULL DIVIDED LIGHT

For an authentic look, Full Divided Light grilles are permanently applied to the interior and the exterior of the window with a spacer between the glass.

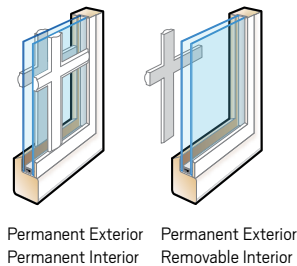


Spacer Option for Greater Energy Efficiency

The Energy Spacer option is available to help A-Series products with full divided lights and SmartSun™ glass be ENERGY STAR® certified in the Northern climate zone. Its narrow design creates a 3-millimeter gap around the spacer, helping to lower U-Factor values.

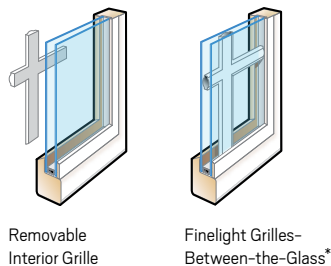
SIMULATED DIVIDED LIGHT

Simulated Divided Light offers permanent grilles on the exterior and interior with no spacer between the glass. We also offer permanent exterior grilles with removable interior grilles, available in natural wood or prefinished white.



CONVENIENT CLEANING OPTIONS

Removable interior grilles come off for easy cleaning. Andersen® Finelight™ grilles are installed between the glass panes and feature a contoured 1\"(25) or 3/4\"(19) profile.



* 7/8\"(22), 1 1/8\"(29) and 2 1/4\"(57) not available in Finelight grilles-between-the-glass. Dimensions in parentheses are in millimeters.

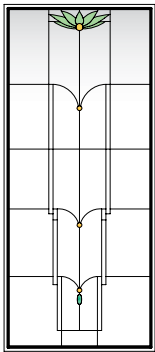
• ART GLASS •

Between-the-Glass Art Glass. Statements in Beauty, Style and Color.

A-Series products are available with between-the-glass art glass, which places the decorative panel between the glass panes, providing superior protection for the art glass and making it easy to keep clean. Contact your Andersen supplier for availability.

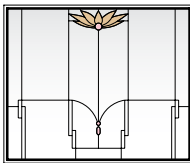


HISTORIC AND CLASSIC SERIES*



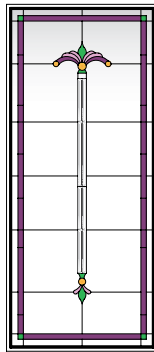
LOTUS

Light Green, Amber jewels and Green jewels



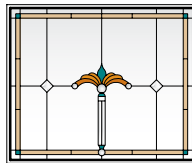
LOTUS

Sand, Pink jewels



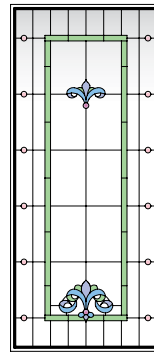
REGENCY

Deep Rose, Deep Green, Rose, and Opal Amber jewels



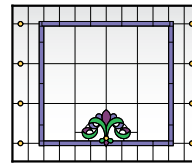
REGENCY

Sand, Deep Teal, Topaz, Copper and Smoke jewels



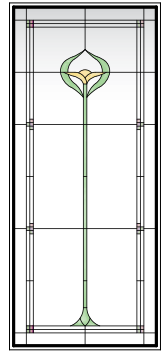
VICTORIA

Light Green, Lilac, Light Blue, Pink jewels and Lilac jewels



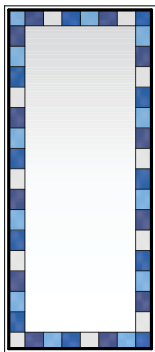
VICTORIA

Violet, Deep Rose, Deep Green and Amber jewels



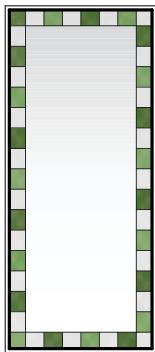
ARTS & CRAFTS

Olive Green, Pale Amber, Clear Waterglass and Avocado and Tangerine tiles



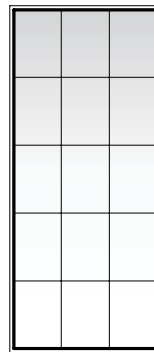
QUEEN ANNE

Pale Blue, Navy Blue, Clear Waterglass, Dark Blue, Clear

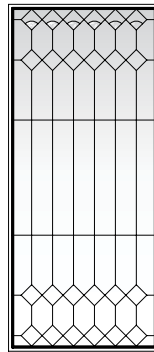


QUEEN ANNE

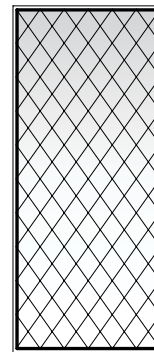
Olive Green, Clear Waterglass, Moss Green, Clear



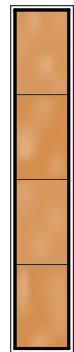
RECTANGULAR GRID



DIAMOND LIGHTS



DIAMOND GRID



AMBER

* Classic Series art glass patterns are available with semi-privacy glass or clear antique glass in place of colored glass. Additional color palettes are available. Patterns will vary based on product size and shape. Illustrations (except Amber) depict patterns for 6068 patio door panel.



QUEEN ANNE DESIGN



VICTORIA DESIGN



ARTS & CRAFTS DESIGN

ART GLASS COLOR OPTIONS

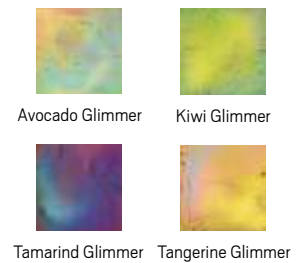
You can order Andersen® art glass designs in standard color palettes or create custom combinations. Color palettes and accent jewels for custom combinations are predetermined by style of art glass. In addition to the colored glass shown below, Clear, Clear Antique, Clear Waterglass, along with textured Semi-privacy (double glue chip) and Light Restoration glass, is also available. For more on custom capabilities, contact your Andersen supplier.



ACCENT JEWELS



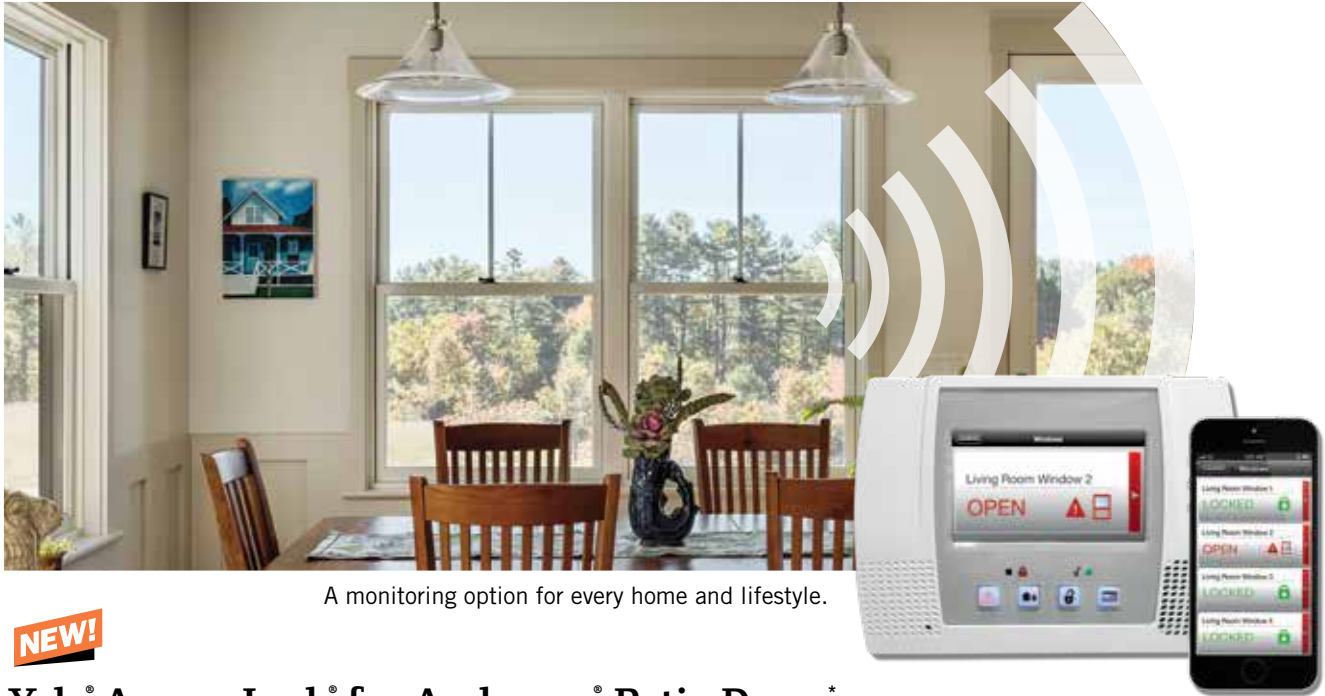
IRIDESCENT ACCENT TILES



Art glass changes appearance greatly based on lighting in its environment, making it beautiful to look at yet difficult to represent accurately in print. Printing limitations prevent exact color replication. Andersen art glass panel patterns vary based on window size and shape. Colors in the Classic Series and Historic Series may also vary. Contact your Andersen supplier for more information.

The Smartest Technology for the Smartest Homes

Andersen® A-Series products can now be part of today's connected home. Homeowners can manage the status of their windows and patio doors anytime and from anywhere and with our new Yale® Assure Lock® remotely lock or unlock their hinged patio doors. Learn more about managing security and the convenience and peace of mind Andersen smart home products offer at andersenwindows.com/connect.



A monitoring option for every home and lifestyle.

NEW!

Yale® Assure Lock® for Andersen® Patio Doors*

Never worry about carrying or losing keys again. Monitor, lock and unlock from anywhere with the Yale Assure Lock. The sleek key free lock includes Bluetooth® for keyless unlocking and is compatible with Z-Wave® for integration with a wide range of smart home platforms.



Yale Assure Lock shown on A-Series Frenchwood® hinged patio door.

FEATURES/BENEFITS

- **One-Touch Locking**
Lock up without the hassle of keys by simply tapping the keypad.
- **Key Free**
No cylinder means no lost keys and no pick and bump break-ins.
- **Battery Back-Up**
Never lose power, the lock can be energized with a 9V battery.
- **VeriLock® Security Sensors**
Know whether your doors are open, closed, locked or unlocked.**
- **Smart Home Integration**
Monitor, lock and unlock from anywhere.



Satin Nickel

Yale Assure Lock is available with Anvers® hardware in a Satin Nickel finish. For additional finish options, please see your Andersen supplier.

* Available on select Andersen hinged patio doors, see your Andersen supplier for details.
 ** When properly configured and maintained with a professionally installed security system and/or self-monitoring system compatible with Honeywell® 5800 controls. See your dealer for more information. All marks where denoted are trademarks of their respective owners. Yale manufactures and supports the limited warranty for Yale Assure Lock for Andersen patio doors.

Wireless Open/Closed Sensors

These wireless sensors provide the peace of mind of knowing whether windows and patio doors are open or closed.*



Open/closed sensors shown on A-Series double-hung window.

FEATURES/BENEFITS

- Easy Installation**
 No tools are required to install our sensors. Simply place the sensor on a window or patio door and line up the magnet with the sensor until the LED glows blue.**
- Maintains Warranty**
 No drilling required which can void warranties.
- Compact Design**
 Sleek, compact design for a clean appearance, available in a variety of colors to blend in with the window or patio door.

COLORS



White Canvas Sandtone Dark Bronze

VeriLock® Security Sensors

With the most advanced technology in the industry, VeriLock® security sensors not only indicate whether windows and patio doors are open or closed, they even tell you if they are locked or unlocked.† No other sensor can do that.



White VeriLock sensor shown on A-Series Frenchwood® hinged inswing patio door with Satin Nickel hardware.

FEATURES/BENEFITS

- Maintains Warranty**
 No drilling required which can void warranties.
- Helps Maximize Energy Efficiency**
 Windows that are closed, but unlocked, lose air at a rate up to 3X that of a closed and locked window.† VeriLock sensors tell you which windows and patio doors are open or unlocked† so you can help manage air loss.**
- Preserves Beauty**
 Available in a variety of colors to complement many Andersen hardware or interior finishes.

COLORS



White Gold Dust Taupe Gray Stone Black

* When properly configured and maintained with a professionally installed security system and/or self-monitoring system compatible with Honeywell® 5800 controls. See your Andersen supplier for more information.

** Based on testing of thirty-two (32) A-Series double-hung windows. Air loss through unlocked windows will vary based on window type and age, pressure differential, temperatures inside and outside the home, altitude and application.

• GLASS •



Best-in-Class Glass.

Choose from a variety of high-performance glass options, including new triple-pane glass and HeatLock® technology for even greater energy efficiency.

TRIPLE-PANE GLASS

Three panes of glass combine with either argon gas blend or air and Low-E coatings to provide enhanced energy performance. Adding triple-pane glass to one of our windows or doors results in a lower U-Factor value than using regular dual-pane glass.

HEATLOCK® TECHNOLOGY

Our HeatLock coating can increase the energy efficiency of any A-Series window or door with Low-E4® or SmartSun™ glass. Applied to the room-side glass surface, it reflects heat back into the home for improved performance.

Additional glass options are also available. Visit andersenwindows.com or see your Andersen supplier. See your local supplier for actual glass samples.



LOW-E4® SMARTSUN™ GLASS

It helps shield your home from the sun's heat, filtering out 95% of harmful UV rays while letting sunlight shine through, plus it provides all the benefits of Low-E4 glass.



LOW-E4 GLASS

Outstanding thermal performance for climates where both heating and cooling costs are a concern. It comes standard on all A-Series products and is up to 57% more energy efficient than ordinary dual-pane glass.*



LOW-E4 SUN GLASS

Outstanding thermal performance in southern climates where less solar heat gain is desired. It's tinted for maximum protection from the effects of intense sunlight while providing all the benefits of Low-E4 glass.

PERFORMANCE COMPARISON OF ANDERSEN® A-SERIES GLASS OPTIONS

GLASS	ENERGY		LIGHT	
	U-FACTOR	SOLAR HEAT GAIN COEFFICIENT	VISIBLE LIGHT TRANSMITTANCE	UV PROTECTION
	How well a product prevents heat from escaping.	How well a product blocks heat caused by sunlight.	How much visible light comes through a product.	How well a product blocks ultraviolet rays.
SmartSun	● ● ● ○	● ● ● ●	● ● ● ○	● ● ● ●
SmartSun with HeatLock® Coating	● ● ● ●	● ● ● ●	● ● ○ ○	● ● ● ●
Low-E4	● ● ● ○	● ● ● ○	● ● ● ○	● ● ● ○
Low-E4 with HeatLock® Coating	● ● ● ●	● ● ● ○	● ● ● ○	● ● ● ○
Sun	● ● ● ○	● ● ● ●	● ○ ○ ○	● ● ● ○
PassiveSun®	● ● ● ○	● ○ ○ ○	● ● ● ○	● ● ● ○
Triple-Pane with Low-E coatings on two surfaces	● ● ● ●	● ● ● ○	● ● ● ○	● ● ● ●
Clear Dual-Pane	● ○ ○ ○	○ ○ ○ ○	● ● ● ●	○ ○ ○ ○

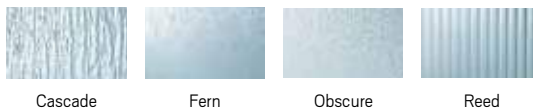
Center of glass performance only. Ratings based on glass options as of January 2018. Visit andersenwindows.com/energystar for ENERGY STAR® map and NFRC total unit performance data.

TIME-SAVING TRANSLUCENT FILM

We help protect all of our products during delivery and construction with a translucent film on the glass. It also minimizes time spent masking on the job site, then peels away for a virtually spotless window. For details, contact your Andersen supplier.

PATTERNED GLASS

Patterned glass lets in light while obscuring vision and adds a unique decorative touch to your home.



Cascade and Reed patterns can be ordered with either a vertical or horizontal orientation.

* Summer values are based on comparison of Andersen A-Series double-hung window SHGC to the SHGC for clear dual-pane glass non-metal frame default values from the 2006, 2009, 2012, 2015 and 2018 International Energy Conservation Code "Glazed Fenestration" Default Tables.

*ENERGY STAR® is a registered trademark of the U.S. Environmental Protection Agency.

Our Insect Screens Come in Different Types. Just Like Insects Do.



Optional insect screens are available for all A-Series products. Patio doors feature Andersen® fiberglass insect screens. For windows, choose aluminum insect screens or TruScene® insect screens for a more unobstructed view.

TRUSCENE® INSECT SCREENS

Made with a micro-fine stainless steel mesh, exclusive Andersen TruScene insect screens provide 50% greater clarity than our conventional insect screens. They let more fresh air and sunlight in, while doing a better job of keeping out small insects. Exterior TruScene insect screen frames are available in all standard colors. Interior insect screens are available with prefinished wood veneer frames as well as all interior painted options.

TruScene insect screens are not available on patio doors. All comparisons are made to Andersen aluminum-mesh insect screens.



PREFINISHED WOOD FRAME OPTIONS

Casement and awning frames with TruScene insect screens are available in six wood veneers and six stain colors to match the interior finish. Pine frame with clear finish is shown.



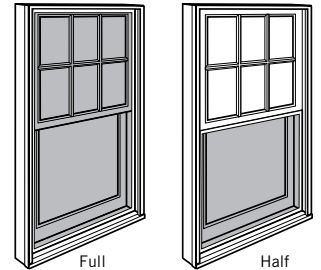
FRAME OPTIONS FOR ALUMINUM INSECT SCREENS

For casement and awning windows, aluminum insect screen frames are available in Stone, White or Gold Dust, shown below from the interior, as well as all interior painted options — Sandtone, Canvas, Dark Bronze and Black. Insect screen frames for all other windows are installed on the exterior of the window and match the unit's exterior color.



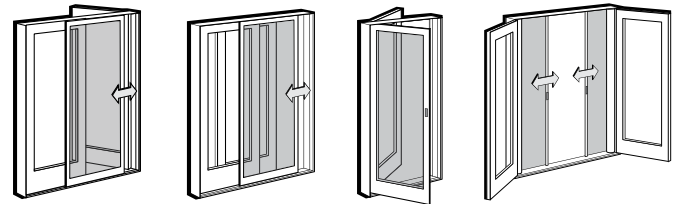
WINDOW CONFIGURATIONS

Full insect screens are available for all operating A-Series windows. Our double-hung windows also have the option of insect screens that cover only the lower sash.



PATIO DOOR INSECT SCREEN CONFIGURATIONS

A-Series patio door insect screens are available in several styles, including a premium top-hung gliding design for gliding and hinged doors.



Premium top-hung gliding design allows for smooth and effortless operation without the interference of dust and debris. Shown on an inswing door and also available for two- and four-panel gliding doors.

Conventional gliding shown on gliding door, has bottom rollers with self-contained leveling adjusters. Also available for four-panel gliding and two-panel inswing doors.

Hinged shown on inswing door. Also available for two-panel inswing doors.

Retractable shown on outswing door neatly retracts into small canister. Also available for single-panel door. Retractable also available for gliding doors.

Additional Andersen® Products

Windows in dramatic sizes and extraordinary shapes, plus handcrafted entranceways and patio doors, are available to complement A-Series products.

Selection includes specialty shaped casement windows, curved top patio doors, hinged inswing and outswing entry doors and folding outswing doors. Choose from 11 standard A-Series colors. Custom colors, sizes and shapes are also available.



ENTRANCEWAYS

Andersen® entranceways combine performance, exceptional beauty and detail with dramatic sizes and shapes to turn ordinary entranceways into grand statements. For more information, see page 187.

The very finest grades of oak, maple, cherry, pine, mahogany,* alder, vertical grain douglas fir, walnut, hickory and mixed grain douglas fir. Other wood species are available through special order.

Divided light grilles in standard and custom patterns.

Sidelights and transoms give you increased design flexibility.

Optional hardware comes in a variety of styles and finishes.

A wide variety of glass options offer energy efficiency and beauty. Decorative glass options also available.

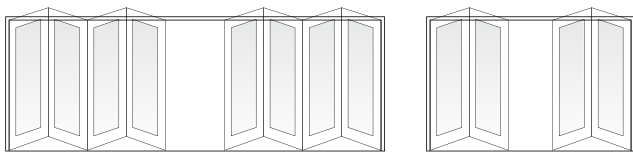


* Actual wood is Sapele, a non-endangered species of mahogany grown in Africa, with color and characteristics similar to American mahogonies.



FOLDING DOORS

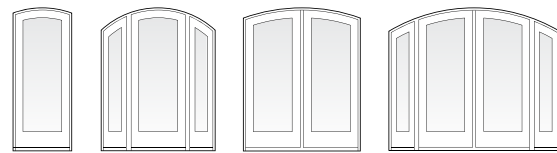
When closed, these folding outswing doors are a stately wall of light. When open, they fold virtually out of sight. Choose from configurations up to 48' (14630) wide and 10' (3048) high, with operating modes that allow the patio doors to open from the left, right or center. Available in traditional or contemporary panel styles. For more information, see page 179.



Illustrations shown as viewed from interior.

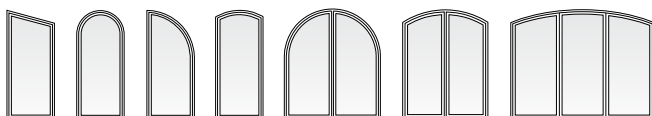
COMPLEMENTARY CURVED TOP PATIO DOORS

With features like Romanesque arches, towering transoms and insulated decorative glass, nothing else quite matches the grandeur Andersen® complementary curved top patio doors can bring to a home. For more information, see page 163.



COMPLEMENTARY CASEMENT WINDOWS

Andersen complementary casement windows offer easy operation along with old-world style. They include French casements — twin sash inside one frame with no mullion post between them like ordinary casements — that give you a totally unobstructed view. Complementary casement windows are available in rectangles, trapezoids and a variety of arched shapes. For more information, see page 117.



Dimensions in parentheses are in millimeters.



COMMON SIZE GRID

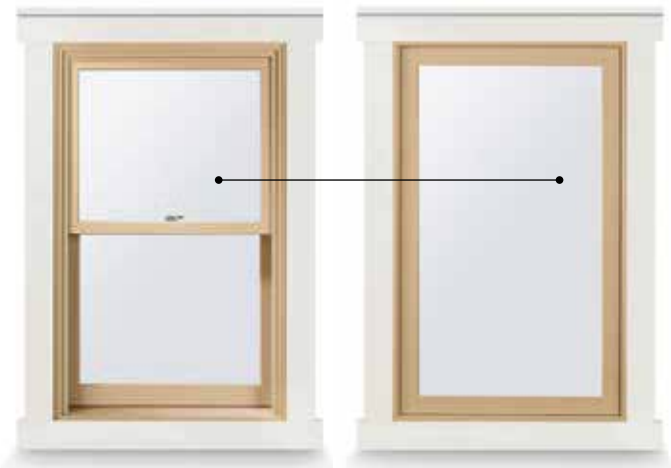
Common sizes in four-inch increments are based on the rough opening to simplify framing and specifying. Even-inch sizes eliminate fractions and reduce jobsite errors. A $\frac{3}{4}$ -inch (19) gap horizontally and vertically leaves room for shims, insulation and sill flashing.

CUSTOM SIZING

All Andersen® A-Series windows and doors can be ordered in $\frac{1}{8}$ -inch (3) increments, providing flexibility for replacement, remodeling, new construction or light commercial projects.

COMMON GLASS SETBACK

A common glass setback on A-Series windows and patio doors delivers noticeably clean shadow lines both inside and out.



The upper sash of double-hung windows align perfectly with casement windows, awning windows, picture windows, patio doors and transoms.

COMPLETE ALIGNMENT

Common sight lines allow you to specify any combination of window styles and still have them match and align perfectly.



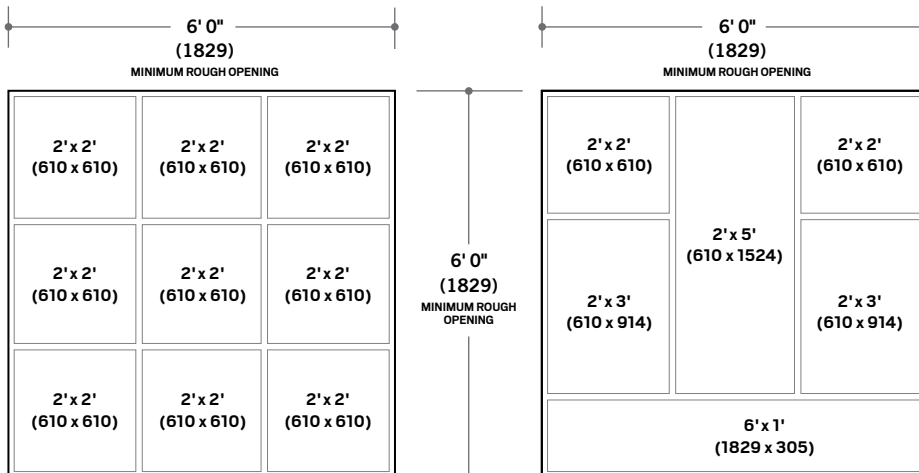
Windows share the same sash design, grille profiles and frame depth for consistent beauty with classic appeal.



EASY MATH

The A-Series window and door system simplifies selection and installation of multiple windows within a single rough opening. 3/4-inch (19) horizontal and vertical joints keep sizing consistent no matter how many or what size windows you combine.

The spacing in these illustrations is exaggerated for demonstration purposes.

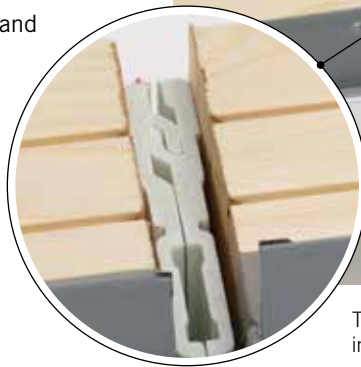
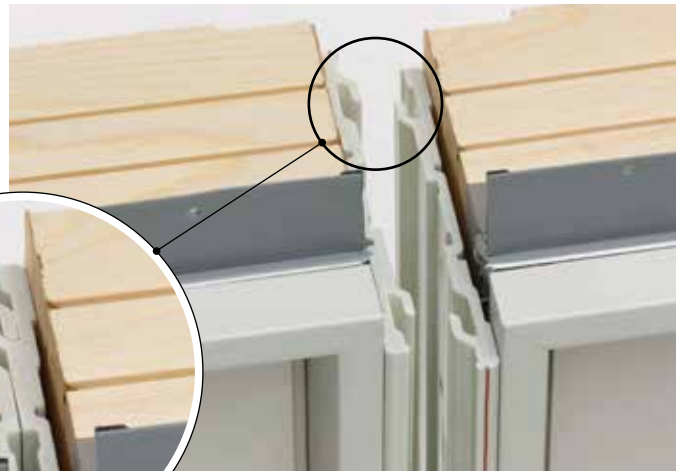


Dimensions in parentheses are in millimeters.

Window Combinations Your Way*

Introducing Andersen® Reinforced Joining options that provide enhanced performance as well as the ultimate in jobsite conveniences.

Choose from three joining options to achieve the monumental window combinations that homeowners desire. These joining options utilize the strength and durability of fiberglass construction and offer the design flexibility of achieving both one-way and two-way combinations.

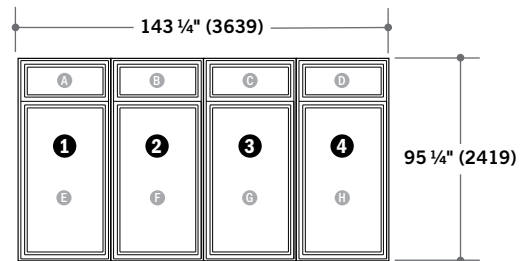


This innovative patented system utilizes 4 9/16" (116) interlocking fiberglass joining plates.



4 groups, 1 over 1 combination

Weight of each combination shown with Low-E4® glass is approximately 135 lbs or 61.235 kg



1 group, 4 over 4 combination

Combination weight shown with Low-E4 glass is approximately 540 lbs or 244.94 kg

NEW!

EASY CONNECT JOINING SYSTEM

Receive lighter, easier-to-handle, pre-assembled smaller combinations that join together as you install them into the rough opening, making it easier to install large combinations.

In fact, most contractors surveyed said they could **reduce the number of installers by 50% using the Andersen Easy Connect Joining System.****

FULLY JOINED COMBINATION

Eliminate the need for job site assembly and receive fully joined, factory-assembled window combinations to fit rough openings up to 12' x 8' or 8' x 12'.

	EASY CONNECT JOINING SYSTEM	FULLY JOINED COMBINATION	EASY CONNECT JOINING KITS
ASSEMBLY	IN THE OPENING	FACTORY	JOBSITE
READY TO INSTALL in the opening	●	●	
NUMBER OF INSTALLERS NEEDED**	FEWER	MORE	MORE
HALLMARK CERTIFIED for Air, Water & Structural Performance†	●	●	●
Tested to AAMA 450	●	●	●
HIGH VELOCITY HURRICANE ZONE (HVHZ) Approved	●	●	●
COMBINATION SIZE LIMITATION	Rough Opening Maximum of 12' (3658) in one direction, no maximum in the other direction	Rough Opening Maximum of 12' x 8' or 8' x 12' (3658 x 2438 or 2438 x 3658)	Rough Opening Maximum of 12' (3658) in one direction, no maximum in the other direction

* Available on select windows, see your Andersen supplier for details.
 ** 69% of 156 builders/general contractors in a 2018 survey said they could reduce the number of installers by half using the Easy Connect Joining System when comparing the installation of a 12' wide x 8' high pre-assembled window combination unit with four 3' wide x 8' high window combination units.

† When installed according to Andersen installation instructions. Dimensions in parentheses are in millimeters.

WINDOWS

CUSTOM SIZING
in 1/8" (3) increments



SECTION REFERENCE

Casement

Table of Sizes..... 30–31
Specifications 32–35
Grille Patterns..... 41
Window Details 35

Awning

Table of Sizes..... 36–37
Specifications 38–40
Grille Patterns..... 41
Window Details 41

Double-Hung

Table of Sizes..... 42–43
Specifications 44–46
Grille Patterns..... 47
Window Details 47

Picture

Table of Sizes..... 48–52
Specifications 53–55
Grille Patterns..... 50
Window Details 55

Transom

Table of Sizes..... 56–60
Specifications 58–62
Grille Patterns..... 62
Window Details 63

Joining Details..... 64–66
Custom Sizing..... 67–69
Combination Designs 206
Product Performance..... 214
Warranty..... 238–240

Dimensions in parentheses are in millimeters.

WINDOWS

FEATURES

CASEMENT & AWNING

Frame

A Frame constructed with a wood core and a Fibrex® composite material exterior. This construction produces a rigid frame and a low-maintenance, durable exterior.

B Wood members are treated with a water-repellent preservative for long-lasting* protection and performance.

C The weatherstripping system combines an exterior watershed design and a foam weatherstrip seal between the sash and frame, providing a long-lasting, energy-efficient barrier against wind, water and dust.

D A factory-applied rigid vinyl flange helps seal the unit to the structure. Available in a standard design or in a trim flange design (shown). The trim flange allows for Andersen® exterior trim surrounds to be applied in seconds after window installation.

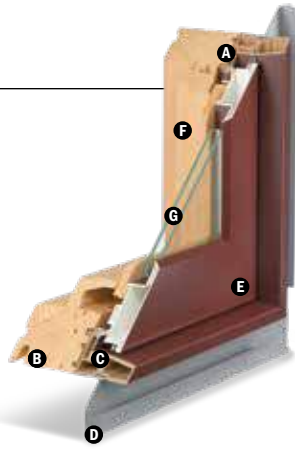
Sash

E Fiberglass construction provides durable, strong and long-lasting* performance. Finished with a Flexacron® paint system. This stabilized polyester paint is electrostatically applied for maximum protection and a lustrous, low-maintenance finish.

Traditional architectural style:

- Classic chamfer detailing
- The look of mortise-and-tenon joinery
- Tall bottom rail on casement window aligns with double-hung and picture windows for common sight lines

F Natural wood interiors are treated with a water-repellent preservative for long-lasting* protection and performance. Interior stops are fastened using a compression fit system so there are no nail holes to fill.



G Glass

See page 27 for details.

Hardware

Smooth Control Hardware System

Smooth operation provided by a worm gear drive design makes opening and closing almost effortless regardless of unit size. Also available with an optional split-arm operator that moves the sash away from the frame for easier glass cleaning (not available on all sizes). Hardware option and finish must be specified. Operator handle and cover sold separately.

Single-Action Casement Lock



Single-action lock easily releases all locking points on casement sash while the reach-out action eliminates binding when closing. The lock handle is offered in finishes that coordinate with your specified hardware option.

Awning Sash Lock

Awning windows feature dual sash locks. Hardware style and finish options are compatible with Andersen casement windows to ensure consistency in appearance when used in combination designs.

DOUBLE-HUNG

Frame

A Frame constructed with a wood core and a Fibrex composite material exterior. This construction produces a rigid frame and a low-maintenance, durable exterior.

B Wood members are treated with a water-repellent preservative for long-lasting* protection and performance.

C The dual weatherstripping system utilizes a double foam-filled design that creates a pressure equalization chamber, knocking down driving rain and delivering a long-lasting, energy-efficient barrier against wind, water and dust.

D Traditional sloped sill design.

E For units with White exterior, exterior jamb liner is White. For all other exterior colors, the exterior jamb liner is Sandtone. All double-hung windows include lower jamb liner cover/inserts that match the window exterior color.

F A factory-applied rigid vinyl flange helps seal the unit to the structure. Available in a standard design or in a trim flange design (shown). The trim flange allows for Andersen exterior trim surrounds to be applied in seconds after window installation.

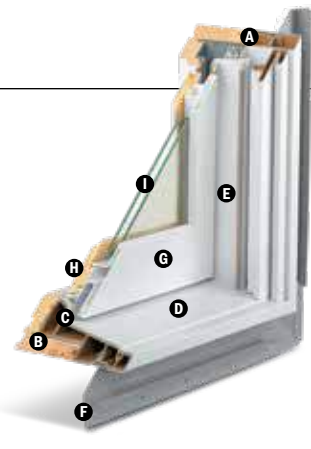
Sash

G Fiberglass construction provides durable, strong and long-lasting* performance. Finished with a Flexacron paint system. This stabilized polyester paint is electrostatically applied for maximum protection and a lustrous, low-maintenance finish.

Traditional architectural style:

- Classic chamfer detailing
- The look of mortise-and-tenon joinery
- Tall bottom rail on double-hung window aligns with casement and picture windows for common sight lines

H Natural wood interiors are treated with a water-repellent preservative for long-lasting* protection and performance. Interior stops are fastened from behind so there are no nail holes to fill.



I Glass

See page 27 for details.

Hardware

Sash Lock



Traditional spoon lock design has an integrated *Tilt to Clean* feature.

Sash Options**



Cottage Style

Reverse Cottage Style

* Visit andersenwindows.com/warranty for details.

** Shown on 400 Series Tilt-Wash double-hung full-frame windows.

"Flexacron" is a registered trademark of PPG Industries, Inc.

PICTURE & FIXED TRANSOM

Frame

Frame constructed with a wood core and fiberglass exterior. This construction produces a rigid frame and a low-maintenance, durable exterior.

Wood members are treated with a water-repellent preservative for long-lasting* protection and performance.

A factory-applied rigid vinyl flange helps seal the unit to the structure. Available in a standard design or in a trim flange design. The trim flange allows for Andersen® exterior trim surrounds to be applied in seconds after window installation.

Fiberglass construction provides durable, strong and long-lasting* performance. Finished with a Flexacron® paint system. This stabilized polyester paint is electrostatically applied for maximum protection and a lustrous, low-maintenance finish.

Traditional architectural style:

- Classic chamfer detailing
- The look of mortise-and-tenon joinery
- Tall bottom rail on picture window aligns with casement and double-hung windows for common sight lines
- Shorter bottom rail on fixed transom provides an attractive sight line when joined above other A-Series windows or patio doors

Interior stops are fastened using a compression fit system so there are no nail holes to fill.

Glass

See this page.

VENTING TRANSOM

Frame

Frame constructed with a wood core and a Fibrex® composite material exterior. This construction produces a rigid frame and a low-maintenance, durable exterior.

Wood members are treated with a water-repellent preservative for long-lasting* protection and performance.

The weatherstripping system combines an exterior watershed design and a foam weatherstrip seal between the sash and frame, providing a long-lasting,* energy-efficient barrier against wind, water and dust.

A factory-applied rigid vinyl flange helps seal the unit to the structure. Available in a standard design or in a trim flange design. The trim flange allows for Andersen exterior trim surrounds to be applied in seconds after window installation.

Sash

Fiberglass construction provides durable, strong and long-lasting* performance. Finished with a Flexacron paint system. This stabilized polyester paint is electrostatically applied for maximum protection and a lustrous, low-maintenance finish.

Traditional architectural style:

- Classic chamfer detailing
- The look of mortise-and-tenon joinery
- Shorter bottom rail provides an attractive sight line when joined above other A-Series windows or patio doors

Natural wood interiors are treated with a water-repellent preservative for long-lasting* protection and performance. Interior stops are fastened using a compression fit system so there are no nail holes to fill.

Glass

See this page.

Hardware

Smooth operation provided by a worm gear drive design makes opening and closing almost effortless regardless of unit size.

Venting transoms feature dual sash locks. Hardware style and finish options are compatible with Andersen casement windows to ensure consistency in appearance when used in combination designs.

COMMON FEATURES

Glass

¾" (19) dual-pane glass construction provides exceptional energy performance.

High-Performance glass options include:

- Low-E4® glass
- Low-E4 HeatLock® glass
- Low-E4 Sun glass
- Low-E4 SmartSun™ glass
- Low-E4 SmartSun HeatLock glass

For even greater energy performance, 1" (25) triple-pane glass is available in these options:

- Low-E4 glass
- Low-E4 Enhanced glass
- Low-E4 Enhanced HeatLock glass
- Low-E4 SmartSun glass
- Low-E4 SmartSun Enhanced glass
- Low-E4 SmartSun Enhanced HeatLock glass

Tempered glass and other glass options are available. Contact your Andersen supplier.

A removable translucent film helps shield the glass from damage during delivery and construction and also simplifies finishing at the jobsite.

Patterned Glass

Patterned glass options are available. See page 18 for more details.

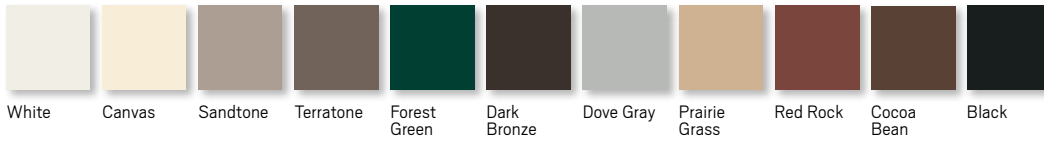


A-Series windows are available with Stormwatch® protection. For a copy of the Andersen® Coastal Product Guide, go to andersenwindows.com/coastal or contact your Andersen supplier.

* Visit andersenwindows.com/warranty for details.
"Flexacron" is a registered trademark of PPG Industries, Inc.
Dimensions in parentheses are in millimeters.

WINDOWS

EXTERIOR



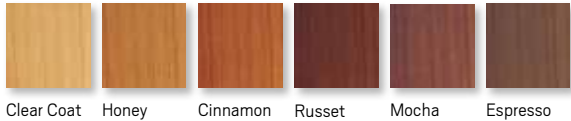
INTERIOR

WOOD SPECIES



FACTORY-FINISHED INTERIORS

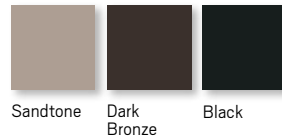
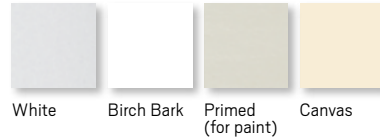
Shown on pine. Available on pine, maple and oak only.



Naturally occurring variations in grain, color and texture of wood make each window one of a kind. All wood interiors are unfinished unless a finish is specified.

PAINTED OPTIONS

Available on pine.



Additional colors to match all 11 exterior colors are also available, contact your Andersen supplier.

HARDWARE FINISHES



Distressed bronze and oil rubbed bronze are "living" finishes that will change with time and use.

HARDWARE

Casement, Awning & Venting Transom Options**

TRADITIONAL FOLDING



Antique Brass | Black | Bright Brass | Brushed Chrome
Distressed Bronze | Distressed Nickel | Gold Dust
Oil Rubbed Bronze | Polished Chrome | Satin Nickel
Stone | White

CONTEMPORARY FOLDING



Black | Bright Brass | Gold Dust
Oil Rubbed Bronze | Satin Nickel | Stone | White

Folding handle avoids interference with window treatments.

Bold name denotes finish shown.

Double-Hung

TRADITIONAL

Lock & Keeper



Double-Hung Lift Options**

Bar Lift

Hand Lift

Finger Lift



Antique Brass | Black | Bright Brass | Brushed Chrome
Distressed Bronze | Distressed Nickel | Gold Dust | Oil Rubbed Bronze
Polished Chrome | **Satin Nickel** | Stone | White

Bold name denotes finish shown.

* Actual wood is Sapele, a non-endangered species of mahogany grown in Africa, with color and characteristics similar to American mahoganies.

** Hardware sold separately.

Printing limitations prevent exact duplication of colors and finishes. See your Andersen supplier for actual color and finish samples.

ACCESSORIES Sold Separately

Frame

Extension Jamb



Extension jambs are available in pine, maple, oak, cherry, mahogany* and vertical grain douglas fir, precut to fit your unit. Available in 1/16" (1.5) increments up to 7 1/8" (181) and can be prefinished in six stain colors as well as all interior painted options to match the interior of the unit. This option is also available factory applied.

Stools for Double-Hung Windows

Available in all six wood species and all prefinished options. Stools are available for 4 9/16" (116), 5 1/4" (133), 6 9/16" (167) and 7 1/8" (181) wall depths.

Hardware

Corrosion-Resistant Components



Corrosion-resistant hinge and operator arm hardware on casement, awning and venting transom windows is designed for applications in harsh and corrosive environments such as heavy industrial or coastal areas.** Shown on a 400 Series casement window.

Window Opening Control Device Kit



A Window Opening Control Device Kit is available for all A-Series venting windows, which limits opening the sash to less than 4" (102) when the window is first opened. Available factory-applied, check with your Andersen supplier. Shown on a 400 Series awning window.

Vent Limiter

A vent limiter is available for most A-Series venting windows, which prevents opening the sash more than 4" (102).

Power Operator for Awning Windows



Awning windows can now be ordered with an operator enhanced by PowerAssist™ technology that opens and closes the window with the touch of a button. Easy to install, the 24-volt system features a concealed window power drive, battery back-up in case of a power outage and a moisture sensor that automatically closes the window when it rains. A wireless remote is sold separately.

The PowerAssist system is controlled by a wall-mounted console, which includes a power box, battery, touch pad and mounting bracket. Windows can be ordered factory-prepped to save time or ordered as a field kit. Power driver requires field installation.

PowerAssist technology eliminates the need for sash locks. Available for windows up to five feet wide. Not available with Stormwatch® protection or PG upgrades.

Glass

Andersen® Art Glass

Andersen art glass panels come in a variety of original patterns. See pages 14-15 for details on Andersen art glass. Visit andersenwindows.com/artglass for details and pattern information.

Security Sensors

VeriLock® Sensors

VeriLock sensors are available in five colors. See page 16-17 for details.

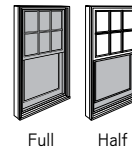
Open/Closed Sensors

Wireless open/closed sensors are available in four colors. See page 16-17 for details.

Insect Screens

Full or Half Window Insect Screens

Full insect screens are available for all venting windows. Andersen also offers the option of half insect screens for the lower sash of our double-hung windows.



Conventional Insect Screens

Aluminum insect screens are available with frames finished in White, Stone, Gold Dust and in all interior painted options for casement, awning and venting transom windows. Insect screens for double-hung windows match product exterior.

TruScene® Insect Screen



Exclusive Andersen TruScene® insect screens provide over 50% more clarity than our conventional insect screens for a beautiful unobstructed view. They allow more fresh air and sunlight in, while doing a better job of keeping out small insects. For casement, awning and venting transom windows, frames are available in White, Stone or Gold Dust as well as all interior painted options, six wood veneers and six stain colors to match the interior finish. Insect screens for double-hung windows are installed on the exterior of the window and frames match product exterior.

Grilles

Grilles are available in a variety of configurations and widths. See pages 12-13 for details.

Exterior Trim

This product is available with Andersen Exterior Trim. See pages 173-178 for details.

* Actual wood is Sapele, a non-endangered species of mahogany grown in Africa, with color and characteristics similar to American mahoganies.

** Visit andersenwindows.com/warranty for details. Dimensions in parentheses are in millimeters.

CASEMENT WINDOWS

Table of Casement Window Sizes

Scale 1/8" (3) = 1'-0" (305) – 1:96

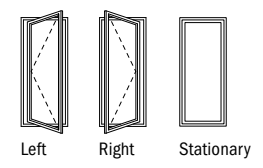
Window Dimension	1'-7 1/4" (489)	1'-11 1/4" (591)	2'-3 1/4" (692)	2'-5 1/4" (743)	2'-7 1/4" (794)	2'-9 1/4" (845)	2'-11 1/4" (895)	3'-1 1/4" (946)	3'-3 1/4" (997)	3'-5 1/4" (1048)	3'-7 1/4" (1099)	3'-9 1/4" (1149)	3'-11 1/4" (1200)
Minimum Rough Opening	1'-8" (508)	2'-0" (610)	2'-4" (711)	2'-6" (762)	2'-8" (813)	2'-10" (864)	3'-0" (914)	3'-2" (965)	3'-4" (1016)	3'-6" (1067)	3'-8" (1118)	3'-10" (1168)	4'-0" (1219)
Unobstructed Glass	12 5/8" (320)	16 5/8" (422)	20 5/8" (523)	22 5/8" (574)	24 5/8" (625)	26 5/8" (676)	28 5/8" (726)	30 5/8" (777)	32 5/8" (828)	34 5/8" (879)	36 5/8" (930)	38 5/8" (981)	40 5/8" (1032)

CUSTOM SIZES AVAILABLE

Window Dimension	1'-11 1/4" (591)	2'-3 1/4" (692)	2'-7 1/4" (794)	2'-11 1/4" (895)	3'-3 1/4" (997)	3'-7 1/4" (1099)	3'-11 1/4" (1200)	4'-3 1/4" (1302)	4'-7 1/4" (1403)	4'-11 1/4" (1505)	5'-3 1/4" (1607)	5'-7 1/4" (1708)	
1'-11 1/4" (591)	ACW1820	ACW2020	ACW2420										
2'-3 1/4" (692)	ACW1824	ACW2024	ACW2424	ACW2624	ACW2824								
2'-7 1/4" (794)	ACW1828	ACW2028	ACW2428	ACW2628	ACW2828	ACW21028	ACW3028						
2'-11 1/4" (895)	ACW1830	ACW2030	ACW2430	ACW2630	ACW2830	ACW21030	ACW3030	ACW3230*†	ACW3430*†				
3'-3 1/4" (997)	ACW1834	ACW2034	ACW2434	ACW2634	ACW2834	ACW21034	ACW3034	ACW3234*†	ACW3434*†	ACW3634*†	ACW3834*†		
3'-7 1/4" (1099)	ACW1838	ACW2038	ACW2438	ACW2638*	ACW2838*	ACW21038	ACW3038	ACW3238*††	ACW3438*††	ACW3638*††	ACW3838*††	ACW31038*††	ACW4038*††
3'-11 1/4" (1200)	ACW1840	ACW2040	ACW2440*	ACW2640*	ACW2840	ACW21040	ACW3040	ACW3240*††	ACW3440*††	ACW3640*††	ACW3840*††	ACW31040*††	ACW4040*††
4'-3 1/4" (1302)	ACW1844	ACW2044	ACW2444*	ACW2644*	ACW2844	ACW21044	ACW3044	ACW3244*††	ACW3444*††	ACW3644*††	ACW3844*††	ACW31044*††	ACW4044*††
4'-7 1/4" (1403)	ACW1848	ACW2048	ACW2448*	ACW2648*	ACW2848	ACW21048	ACW3048	ACW3248*††	ACW3448*††	ACW3648*††	ACW3848*††	ACW31048*††	ACW4048*††
4'-11 1/4" (1505)	ACW1850	ACW2050	ACW2450*	ACW2650*	ACW2850	ACW21050	ACW3050	ACW3250*††	ACW3450*††	ACW3650*††	ACW3850*††	ACW31050*††	ACW4050*††
5'-3 1/4" (1607)	ACW1854	ACW2054	ACW2454*	ACW2654*	ACW2854	ACW21054	ACW3054	ACW3254*††	ACW3454*††	ACW3654*††	ACW3854*††	ACW31054*††	ACW4054*††
5'-7 1/4" (1708)	ACW1858	ACW2058	ACW2458*	ACW2658*	ACW2858	ACW21058	ACW3058	ACW3258*††	ACW3458*††	ACW3658*††	ACW3858*††	ACW31058*††	ACW4058*††



Custom-size windows are available in 1/8" (3) increments. See page 67 for custom sizes and specifications.



Choose left, right or stationary as viewed from the exterior. Grille patterns shown on page 41.

• "Window Dimension" always refers to outside frame to frame dimension.
 • "Minimum Rough Opening" dimensions may need to be increased to allow for use of building wraps, flashing, sill panning, brackets, fasteners or other items. See pages 236-237 for more details.
 • Dimensions in parentheses are in millimeters.
 †Meet or exceed clear opening area of 5.7 sq.ft. or 0.53 m², clear opening width of 20" (508) and clear opening height of 24" (610). See tables on pages 32-35.
 *Available with straight-arm operators only; all other sizes have split-arm operators only.
 †Not available with triple-pane annealed glass.
 ††Not available with triple-pane annealed or tempered glass.

continued on next page

Table of Casement Window Sizes (continued)

Notes on the previous page also apply to this page.

Scale 1/8" (3) = 1'-0" (305) – 1:96

Window Dimension	1'-7 1/4" (489)	1'-11 1/4" (591)	2'-3 1/4" (692)	2'-5 1/4" (743)	2'-7 1/4" (794)	2'-9 1/4" (845)	2'-11 1/4" (895)	3'-1 1/4" (946)	3'-3 1/4" (997)	3'-5 1/4" (1048)	3'-7 1/4" (1099)	3'-9 1/4" (1149)	3'-11 1/4" (1200)
Minimum Rough Opening	1'-8" (508)	2'-0" (610)	2'-4" (711)	2'-6" (762)	2'-8" (813)	2'-10" (864)	3'-0" (914)	3'-2" (965)	3'-4" (1016)	3'-6" (1067)	3'-8" (1118)	3'-10" (1168)	4'-0" (1219)
Unobstructed Glass	12 5/8" (320)	16 5/8" (422)	20 5/8" (523)	22 5/8" (574)	24 5/8" (625)	26 5/8" (676)	28 5/8" (726)	30 5/8" (777)	32 5/8" (828)	34 5/8" (879)	36 5/8" (930)	38 5/8" (981)	40 5/8" (1032)

CUSTOM SIZES AVAILABLE

Window Dimension	1'-7 1/4" (489)	1'-11 1/4" (591)	2'-3 1/4" (692)	2'-5 1/4" (743)	2'-7 1/4" (794)	2'-9 1/4" (845)	2'-11 1/4" (895)	3'-1 1/4" (946)	3'-3 1/4" (997)	3'-5 1/4" (1048)	3'-7 1/4" (1099)	3'-9 1/4" (1149)	3'-11 1/4" (1200)
5'-11 1/4" (1810)	ACW1860†	ACW2060†	ACW2460*†	ACW2660*†	ACW2860†	ACW21060†	ACW3060†	ACW3260**†	ACW3460**†	ACW3660**†	ACW3860**†	ACW31060**†	ACW4060**†
6'-3 1/4" (1911)	ACW1864†	ACW2064†	ACW2464**†	ACW2664**†	ACW2864**†	ACW21064**†	ACW3064**†	ACW3264**†	ACW3464**†	ACW3664**†	ACW3864**†	ACW31064**†	ACW4064**†
6'-7 1/4" (2013)	ACW1868†	ACW2068†	ACW2468**†	ACW2668**†	ACW2868**†	ACW21068**†	ACW3068**†	ACW3268**†	ACW3468**†	ACW3668**†	ACW3868**†	ACW31068**†	ACW4068**†
6'-11 1/4" (2115)	ACW1870†	ACW2070†	ACW2470**†	ACW2670**†	ACW2870**†	ACW21070**†	ACW3070**†	ACW3270**†	ACW3470**†	ACW3670**†	ACW3870**†	ACW31070**†	ACW4070**†
7'-3 1/4" (2216)	ACW1874†	ACW2074†	ACW2474**†	ACW2674**†	ACW2874**†	ACW21074**†	ACW3074**†	ACW3274**†	ACW3474**†	ACW3674**†	ACW3874**†	ACW31074**†	ACW4074**†
7'-7 1/4" (2318)	ACW1878†	ACW2078†	ACW2478**†	ACW2678**†	ACW2878**†	ACW21078**†	ACW3078**†	ACW3278**†	ACW3478**†	ACW3678**†	ACW3878**†	ACW31078**†	ACW4078**†
7'-11 1/4" (2419)	ACW1880†	ACW2080†	ACW2480**†	ACW2680**†	ACW2880**†	ACW21080**†	ACW3080**†	ACW3280**†	ACW3480**†	ACW3680**†	ACW3880**†	ACW31080**†	ACW4080**†

A-Series
Casement & Awning
Windows

- "Window Dimension" always refers to outside frame to frame dimension.
- "Minimum Rough Opening" dimensions may need to be increased to allow for use of building wraps, flashing, sill panning, brackets, fasteners or other items. See pages 236-237 for more details.
- Dimensions in parentheses are in millimeters.
- ◊Meet or exceed clear opening area of 5.7 sq.ft. or 0.53 m², clear opening width of 20" (508) and clear opening height of 24" (610). See tables on pages 32-35.
- ◆Meet or exceed clear opening area of 5.7 sq.ft. or 0.53 m², clear opening width of 20" (508) and clear opening height of 24" (610) with a limited sash opening. See tables on pages 32-35.
- *Available with straight-arm operators only; all other sizes have split-arm operators only.
- †Not available with triple-pane annealed glass.
- ††Not available with triple-pane annealed or tempered glass.

CASEMENT WINDOWS

Casement Window Opening and Area Specifications

Window Number	Clear Opening Area Sq. Ft./ (m ²)	Clear Opening in Full Open Position		Glass Area Sq. Ft./ (m ²)	Vent Area Sq. Ft./ (m ²)	Top of Subfloor to Top of Inside Sill Stop Inches/(mm)	Overall Window Area Sq. Ft./ (m ²)
		Width Inches/(mm)	Height Inches/(mm)				
ACW1820	1.20 (0.11)	9 13/16" (250)	17 5/8" (447)	1.38 (0.13)	1.55 (0.14)	62 1/16" (1576)	3.11 (0.29)
ACW1824	1.48 (0.14)	9 13/16" (250)	21 5/8" (549)	1.73 (0.16)	1.91 (0.18)	58 1/16" (1475)	3.64 (0.34)
ACW1828	1.75 (0.16)	9 13/16" (250)	25 5/8" (650)	2.08 (0.19)	2.26 (0.21)	54 1/16" (1373)	4.18 (0.39)
ACW1830	2.02 (0.19)	9 13/16" (250)	29 5/8" (752)	2.43 (0.23)	2.61 (0.24)	50 1/16" (1271)	4.71 (0.44)
ACW1834	2.29 (0.21)	9 13/16" (250)	33 5/8" (853)	2.78 (0.26)	2.97 (0.28)	46 1/16" (1170)	5.25 (0.49)
ACW1838	2.57 (0.24)	9 13/16" (250)	37 5/8" (955)	3.13 (0.29)	3.32 (0.31)	42 1/16" (1068)	5.78 (0.54)
ACW1840	2.84 (0.26)	9 13/16" (250)	41 5/8" (1057)	3.48 (0.32)	3.67 (0.34)	38 1/16" (967)	6.32 (0.59)
ACW1844	3.11 (0.29)	9 13/16" (250)	45 5/8" (1159)	3.83 (0.36)	4.03 (0.37)	34 1/16" (865)	6.85 (0.64)
ACW1848	3.39 (0.31)	9 13/16" (250)	49 5/8" (1260)	4.18 (0.39)	4.38 (0.41)	30 1/16" (763)	7.39 (0.69)
ACW1850	3.66 (0.34)	9 13/16" (250)	53 5/8" (1362)	4.53 (0.42)	4.73 (0.44)	26 1/16" (662)	7.92 (0.74)
ACW1854	3.93 (0.37)	9 13/16" (250)	57 5/8" (1464)	4.88 (0.45)	5.09 (0.47)	22 1/16" (560)	8.46 (0.79)
ACW1858	3.55 (0.33)	8 5/16" (211)	61 5/8" (1565)	5.23 (0.49)	5.44 (0.51)	18 1/16" (459)	8.99 (0.84)
ACW1860	3.78 (0.35)	8 5/16" (211)	65 5/8" (1667)	5.58 (0.52)	5.79 (0.54)	14 1/16" (357)	9.52 (0.88)
ACW1864 †	4.68 (0.43)	9 11/16" (246)	69 5/8" (1768)	5.93 (0.55)	6.15 (0.57)	10 1/16" (256)	10.06 (0.93)
ACW1868 †	4.95 (0.46)	9 11/16" (246)	73 5/8" (1870)	6.28 (0.58)	6.50 (0.60)	6 1/16" (154)	10.59 (0.98)
ACW1870 †	5.22 (0.48)	9 11/16" (246)	77 5/8" (1972)	6.63 (0.62)	6.85 (0.64)	15 9/16" (395)	11.13 (1.03)
ACW1874 ††	5.49 (0.51)	9 11/16" (246)	81 5/8" (2073)	6.98 (0.65)	7.20 (0.67)	11 9/16" (294)	11.66 (1.08)
ACW1878 ††	5.76 (0.54)	9 11/16" (246)	85 5/8" (2175)	7.33 (0.68)	7.56 (0.70)	7 9/16" (192)	12.20 (1.13)
ACW1880 ††	6.03 (0.56)	9 11/16" (246)	89 5/8" (2276)	7.68 (0.71)	7.91 (0.73)	3 9/16" (90)	12.73 (1.18)
ACW2020	1.69 (0.16)	13 13/16" (351)	17 5/8" (447)	1.82 (0.17)	2.04 (0.19)	62 1/16" (1576)	3.75 (0.35)
ACW2024	2.08 (0.19)	13 13/16" (351)	21 5/8" (549)	2.28 (0.21)	2.51 (0.23)	58 1/16" (1475)	4.40 (0.41)
ACW2028	2.46 (0.23)	13 13/16" (351)	25 5/8" (650)	2.74 (0.25)	2.97 (0.28)	54 1/16" (1373)	5.05 (0.47)
ACW2030	2.84 (0.26)	13 13/16" (351)	29 5/8" (752)	3.20 (0.30)	3.44 (0.32)	50 1/16" (1271)	5.69 (0.53)
ACW2034	3.23 (0.30)	13 13/16" (351)	33 5/8" (853)	3.67 (0.34)	3.90 (0.36)	46 1/16" (1170)	6.34 (0.59)
ACW2038	3.61 (0.34)	13 13/16" (351)	37 5/8" (955)	4.13 (0.38)	4.36 (0.41)	42 1/16" (1068)	6.98 (0.65)
ACW2040	4.00 (0.37)	13 13/16" (351)	41 5/8" (1057)	4.59 (0.43)	4.83 (0.45)	38 1/16" (967)	7.63 (0.71)
ACW2044	4.38 (0.41)	13 13/16" (351)	45 5/8" (1159)	5.05 (0.47)	5.29 (0.49)	34 1/16" (865)	8.27 (0.77)
ACW2048	4.24 (0.39)	12 5/16" (313)	49 5/8" (1260)	5.51 (0.51)	5.76 (0.54)	30 1/16" (763)	8.92 (0.83)
ACW2050	4.58 (0.43)	12 5/16" (313)	53 5/8" (1362)	5.97 (0.55)	6.22 (0.58)	26 1/16" (662)	9.57 (0.89)
ACW2054	4.92 (0.46)	12 5/16" (313)	57 5/8" (1464)	6.43 (0.60)	6.69 (0.62)	22 1/16" (560)	10.21 (0.95)
ACW2058	5.26 (0.49)	12 5/16" (313)	61 5/8" (1565)	6.89 (0.64)	7.15 (0.66)	18 1/16" (459)	10.86 (1.01)
ACW2060	5.61 (0.52)	12 5/16" (313)	65 5/8" (1667)	7.35 (0.68)	7.61 (0.71)	14 1/16" (357)	11.50 (1.07)
ACW2064 †	6.52 (0.61)	13 1/2" (343)	69 5/8" (1768)	7.82 (0.73)	8.08 (0.75)	10 1/16" (256)	12.15 (1.13)
ACW2068 †	6.89 (0.64)	13 1/2" (343)	73 5/8" (1870)	8.28 (0.77)	8.54 (0.79)	6 1/16" (154)	12.80 (1.19)
ACW2070 †	7.27 (0.68)	13 1/2" (343)	77 5/8" (1972)	8.74 (0.81)	9.01 (0.84)	15 9/16" (395)	13.44 (1.25)
ACW2074 ††	7.64 (0.71)	13 1/2" (343)	81 5/8" (2073)	9.20 (0.85)	9.47 (0.88)	11 9/16" (294)	14.09 (1.31)
ACW2078 ††	8.02 (0.75)	13 1/2" (343)	85 5/8" (2175)	9.66 (0.90)	9.94 (0.92)	7 9/16" (192)	14.73 (1.37)
ACW2080 ††	8.39 (0.78)	13 1/2" (343)	89 5/8" (2276)	10.12 (0.94)	10.40 (0.97)	3 9/16" (90)	15.38 (1.43)
ACW2420	1.99 (0.18)	16 5/16" (414)	17 5/8" (447)	2.26 (0.21)	2.53 (0.24)	62 1/16" (1576)	4.40 (0.41)
ACW2424	2.45 (0.23)	16 5/16" (414)	21 5/8" (549)	2.83 (0.26)	3.11 (0.29)	58 1/16" (1475)	5.16 (0.48)
ACW2428	2.90 (0.27)	16 5/16" (414)	25 5/8" (650)	3.40 (0.32)	3.68 (0.34)	54 1/16" (1373)	5.91 (0.55)
ACW2430	3.35 (0.31)	16 5/16" (414)	29 5/8" (752)	3.98 (0.37)	4.28 (0.40)	50 1/16" (1271)	6.67 (0.62)
ACW2434	3.80 (0.35)	16 5/16" (414)	33 5/8" (853)	4.55 (0.42)	4.83 (0.45)	46 1/16" (1170)	7.43 (0.69)
ACW2438	4.26 (0.40)	16 5/16" (414)	37 5/8" (955)	5.12 (0.48)	5.41 (0.50)	42 1/16" (1068)	8.18 (0.76)
ACW2440 ◊*	5.92 (0.55)	20 1/2" (521)	41 5/8" (1057)	5.69 (0.53)	5.98 (0.56)	38 1/16" (967)	8.94 (0.83)
ACW2444 ◊*	6.49 (0.60)	20 1/2" (521)	45 5/8" (1159)	6.27 (0.58)	6.56 (0.61)	34 1/16" (865)	9.70 (0.90)
ACW2448 ◊*	7.06 (0.66)	20 1/2" (521)	49 5/8" (1260)	6.84 (0.64)	7.13 (0.66)	30 1/16" (763)	10.46 (0.97)
ACW2450 ◊*	7.63 (0.71)	20 1/2" (521)	53 5/8" (1362)	7.41 (0.69)	7.71 (0.72)	26 1/16" (662)	11.21 (1.04)
ACW2454 ◊*	8.20 (0.76)	20 1/2" (521)	57 5/8" (1464)	7.98 (0.74)	8.29 (0.77)	22 1/16" (560)	11.97 (1.11)
ACW2458 ◊*	8.77 (0.81)	20 1/2" (521)	61 5/8" (1565)	8.55 (0.79)	8.86 (0.82)	18 1/16" (459)	12.73 (1.18)
ACW2460 ◊*	9.34 (0.87)	20 1/2" (521)	65 5/8" (1667)	9.13 (0.85)	9.44 (0.88)	14 1/16" (357)	13.48 (1.25)
ACW2464 ◊††	9.95 (0.92)	20 5/8" (524)	69 5/8" (1768)	9.70 (0.90)	10.01 (0.93)	10 1/16" (256)	14.24 (1.32)
ACW2468 ◊††	10.52 (0.98)	20 5/8" (524)	73 5/8" (1870)	10.27 (0.95)	10.59 (0.98)	6 1/16" (154)	15.00 (1.39)
ACW2470 ◊††	11.09 (1.03)	20 5/8" (524)	77 5/8" (1972)	10.84 (1.01)	11.16 (1.04)	15 9/16" (395)	15.75 (1.46)
ACW2474 ◊††	11.66 (1.08)	20 5/8" (524)	81 5/8" (2073)	11.42 (1.06)	11.74 (1.09)	11 9/16" (294)	16.51 (1.53)
ACW2478 ◊††	12.23 (1.14)	20 5/8" (524)	85 5/8" (2175)	11.99 (1.11)	12.31 (1.14)	7 9/16" (192)	17.27 (1.60)
ACW2480 ◊††	12.80 (1.19)	20 5/8" (524)	89 5/8" (2276)	12.56 (1.17)	12.89 (1.20)	3 9/16" (90)	18.02 (1.67)
ACW2624	2.75 (0.26)	18 5/16" (465)	21 5/8" (549)	3.11 (0.29)	3.41 (0.32)	58 1/16" (1475)	5.54 (0.51)
ACW2628	3.25 (0.30)	18 5/16" (465)	25 5/8" (650)	3.74 (0.35)	4.04 (0.38)	54 1/16" (1373)	6.35 (0.59)
ACW2630	3.76 (0.35)	18 5/16" (465)	29 5/8" (752)	4.36 (0.41)	4.67 (0.43)	50 1/16" (1271)	7.16 (0.67)
ACW2634	4.27 (0.40)	18 5/16" (465)	33 5/8" (853)	4.99 (0.46)	5.30 (0.49)	46 1/16" (1170)	7.97 (0.74)
ACW2638 ◊*	5.88 (0.55)	22 1/2" (572)	37 5/8" (955)	5.62 (0.52)	5.93 (0.55)	42 1/16" (1068)	8.79 (0.82)

• "Top of Subfloor to Top of Inside Sill Stop" is calculated based upon a structural header height of 6'-10 1/2" (2096).
 • Dimensions in parentheses are in millimeters or square meters.
 ◊ Meet or exceed clear opening area of 5.7 sq.ft. or 0.53 m², clear opening width of 20" (508) and clear opening height of 24" (610).
 ◊ Meet or exceed clear opening area of 5.7 sq.ft. or 0.53 m², clear opening width of 20" (508) and clear opening height of 24" (610) with a limited sash opening.
 * Available with straight-arm operators only. All other sizes have split-arm operators only.
 † Not available with triple-pane annealed glass.
 †† Not available with triple-pane annealed or tempered glass.



Casement Window Opening and Area Specifications *(continued)*

Window Number	Clear Opening Area Sq. Ft./ (m ²)	Clear Opening in Full Open Position		Glass Area Sq. Ft./ (m ²)	Vent Area Sq. Ft./ (m ²)	Top of Subfloor to Top of Inside Sill Stop Inches/ (mm)	Overall Window Area Sq. Ft./ (m ²)
		Width Inches/ (mm)	Height Inches/ (mm)				
ACW2640 ◊*	6.50 (0.60)	22 1/2" (572)	41 5/8" (1057)	6.25 (0.58)	6.56 (0.61)	38 1/16" (967)	9.60 (0.89)
ACW2644 ◊*	7.13 (0.66)	22 1/2" (572)	45 5/8" (1159)	6.87 (0.64)	7.19 (0.67)	34 1/16" (865)	10.41 (0.97)
ACW2648 ◊*	7.75 (0.72)	22 1/2" (572)	49 5/8" (1260)	7.50 (0.70)	7.82 (0.73)	30 1/16" (763)	11.22 (1.04)
ACW2650 ◊*	8.38 (0.78)	22 1/2" (572)	53 5/8" (1362)	8.13 (0.76)	8.45 (0.79)	26 1/16" (662)	12.04 (1.12)
ACW2654 ◊*	9.01 (0.84)	22 1/2" (572)	57 5/8" (1464)	8.76 (0.81)	9.09 (0.84)	22 1/16" (560)	12.85 (1.19)
ACW2658 ◊*	9.63 (0.89)	22 1/2" (572)	61 5/8" (1565)	9.39 (0.87)	9.72 (0.90)	18 1/16" (459)	13.66 (1.27)
ACW2660 ◊*	10.26 (0.95)	22 1/2" (572)	65 5/8" (1667)	10.01 (0.93)	10.35 (0.96)	14 1/16" (357)	14.47 (1.34)
ACW2664 ◊**	10.91 (1.01)	22 5/8" (575)	69 5/8" (1768)	10.64 (0.99)	10.98 (1.02)	10 1/16" (256)	15.29 (1.42)
ACW2668 ◊**	11.54 (1.07)	22 5/8" (575)	73 5/8" (1870)	11.27 (1.05)	11.61 (1.08)	6 1/16" (154)	16.10 (1.50)
ACW2670 ◊**	12.17 (1.13)	22 5/8" (575)	77 5/8" (1972)	11.90 (1.11)	12.24 (1.14)	15 9/16" (395)	16.91 (1.57)
ACW2674 ◊***	12.79 (1.19)	22 5/8" (575)	81 5/8" (2073)	12.52 (1.16)	12.87 (1.20)	11 9/16" (294)	17.72 (1.65)
ACW2678 ◊***	13.42 (1.25)	22 5/8" (575)	85 5/8" (2175)	13.15 (1.22)	13.50 (1.25)	7 9/16" (192)	18.54 (1.72)
ACW2680 ◊***	14.05 (1.31)	22 5/8" (575)	89 5/8" (2276)	13.78 (1.28)	14.13 (1.31)	3 9/16" (90)	19.35 (1.80)
ACW2824	3.05 (0.28)	20 5/16" (516)	21 5/8" (549)	3.38 (0.31)	3.71 (0.34)	58 1/16" (1475)	5.91 (0.55)
ACW2828	3.61 (0.34)	20 5/16" (516)	25 5/8" (650)	4.07 (0.38)	4.39 (0.41)	54 1/16" (1373)	6.78 (0.63)
ACW2830	4.17 (0.39)	20 5/16" (516)	29 5/8" (752)	4.75 (0.44)	5.08 (0.47)	50 1/16" (1271)	7.65 (0.71)
ACW2834	4.74 (0.44)	20 5/16" (516)	33 5/8" (853)	5.43 (0.50)	5.77 (0.54)	46 1/16" (1170)	8.52 (0.79)
ACW2838 ◊*	6.40 (0.59)	24 1/2" (623)	37 5/8" (955)	6.12 (0.57)	6.45 (0.60)	42 1/16" (1068)	9.39 (0.87)
ACW2840 ◊	5.87 (0.55)	20 5/16" (516)	41 5/8" (1057)	6.80 (0.63)	7.14 (0.66)	38 1/16" (967)	10.25 (0.95)
ACW2844 ◊	6.43 (0.60)	20 5/16" (516)	45 5/8" (1159)	7.48 (0.69)	7.83 (0.73)	34 1/16" (865)	11.12 (1.03)
ACW2848 ◊	6.99 (0.65)	20 5/16" (516)	49 5/8" (1260)	8.17 (0.76)	8.51 (0.79)	30 1/16" (763)	11.99 (1.11)
ACW2850 ◊	7.56 (0.70)	20 5/16" (516)	53 5/8" (1362)	8.85 (0.82)	9.20 (0.85)	26 1/16" (662)	12.86 (1.19)
ACW2854 ◊	9.44 (0.88)	23 19/32" (599)	57 5/8" (1464)	9.53 (0.89)	9.89 (0.92)	22 1/16" (560)	13.73 (1.28)
ACW2858 ◊	10.09 (0.94)	23 19/32" (599)	61 5/8" (1565)	10.22 (0.95)	10.57 (0.98)	18 1/16" (459)	14.59 (1.36)
ACW2860 ◊†	10.75 (1.00)	23 19/32" (599)	65 5/8" (1667)	10.90 (1.01)	11.26 (1.05)	14 1/16" (357)	15.46 (1.44)
ACW2864 ◊**	9.95 (0.92)	20 9/16" (522)	69 5/8" (1768)	11.58 (1.08)	11.95 (1.11)	10 1/16" (256)	16.33 (1.52)
ACW2868 ◊**	10.52 (0.98)	20 9/16" (522)	73 5/8" (1870)	12.27 (1.14)	12.63 (1.17)	6 1/16" (154)	17.20 (1.60)
ACW2870 ◊**	11.09 (1.03)	20 9/16" (522)	77 5/8" (1972)	12.95 (1.20)	13.32 (1.24)	15 9/16" (395)	18.07 (1.68)
ACW2874 ◊***	11.66 (1.08)	20 9/16" (522)	81 5/8" (2073)	13.63 (1.27)	14.00 (1.30)	11 9/16" (294)	18.93 (1.76)
ACW2878 ◊***	12.23 (1.14)	20 9/16" (522)	85 5/8" (2175)	14.32 (1.33)	14.69 (1.36)	7 9/16" (192)	19.80 (1.84)
ACW2880 ◊***	12.81 (1.19)	20 9/16" (522)	89 5/8" (2276)	15.00 (1.39)	15.38 (1.43)	3 9/16" (90)	20.67 (1.92)
ACW21028	3.97 (0.37)	22 5/16" (567)	25 5/8" (650)	4.40 (0.41)	4.75 (0.44)	54 1/16" (1373)	7.22 (0.67)
ACW21030	4.58 (0.43)	22 5/16" (567)	29 5/8" (752)	5.14 (0.48)	5.49 (0.51)	50 1/16" (1271)	8.14 (0.76)
ACW21034	5.20 (0.48)	22 5/16" (567)	33 5/8" (853)	5.87 (0.55)	6.23 (0.58)	46 1/16" (1170)	9.06 (0.84)
ACW21038 ◊	5.82 (0.54)	22 5/16" (567)	37 5/8" (955)	6.61 (0.61)	6.98 (0.65)	42 1/16" (1068)	9.99 (0.93)
ACW21040 ◊	6.44 (0.60)	22 5/16" (567)	41 5/8" (1057)	7.35 (0.68)	7.72 (0.72)	38 1/16" (967)	10.91 (1.01)
ACW21044 ◊	7.06 (0.66)	22 5/16" (567)	45 5/8" (1159)	8.09 (0.75)	8.46 (0.79)	34 1/16" (865)	11.83 (1.10)
ACW21048 ◊	8.78 (0.82)	25 1/2" (648)	49 5/8" (1260)	8.83 (0.82)	9.20 (0.85)	30 1/16" (763)	12.76 (1.19)
ACW21050 ◊	9.49 (0.88)	25 1/2" (648)	53 5/8" (1362)	9.57 (0.89)	9.94 (0.92)	26 1/16" (662)	13.68 (1.27)
ACW21054 ◊	10.20 (0.95)	25 1/2" (648)	57 5/8" (1464)	10.31 (0.96)	10.69 (0.99)	22 1/16" (560)	14.60 (1.36)
ACW21058 ◊	10.91 (1.01)	25 1/2" (648)	61 5/8" (1565)	11.05 (1.03)	11.43 (1.06)	18 1/16" (459)	15.53 (1.44)
ACW21060 ◊†	11.61 (1.08)	25 1/2" (648)	65 5/8" (1667)	11.79 (1.10)	12.17 (1.13)	14 1/16" (357)	16.45 (1.53)
ACW21064 ◊**	10.71 (0.99)	22 1/8" (562)	69 5/8" (1768)	12.52 (1.16)	12.91 (1.20)	10 1/16" (256)	17.38 (1.61)
ACW21068 ◊**	11.32 (1.05)	22 1/8" (562)	73 5/8" (1870)	13.26 (1.23)	13.65 (1.27)	6 1/16" (154)	18.30 (1.70)
ACW21070 ◊**	11.94 (1.11)	22 1/8" (562)	77 5/8" (1972)	14.00 (1.30)	14.40 (1.34)	15 9/16" (395)	19.22 (1.79)
ACW21074 ◊***	12.56 (1.17)	22 1/8" (562)	81 5/8" (2073)	14.74 (1.37)	15.14 (1.41)	11 9/16" (294)	20.15 (1.87)
ACW21078 ◊***	13.17 (1.22)	22 1/8" (562)	85 5/8" (2175)	15.48 (1.44)	15.88 (1.48)	7 9/16" (192)	21.07 (1.96)
ACW21080 ◊***	13.77 (1.28)	22 1/8" (562)	89 5/8" (2276)	16.22 (1.51)	16.62 (1.54)	3 9/16" (90)	21.99 (2.04)
ACW3028	4.32 (0.40)	24 5/16" (617)	25 5/8" (650)	4.73 (0.44)	5.10 (0.47)	54 1/16" (1373)	7.65 (0.71)
ACW3030	5.00 (0.46)	24 5/16" (617)	29 5/8" (752)	5.52 (0.51)	5.90 (0.55)	50 1/16" (1271)	8.63 (0.80)
ACW3034	5.67 (0.53)	24 5/16" (617)	33 5/8" (853)	6.32 (0.59)	6.70 (0.62)	46 1/16" (1170)	9.61 (0.89)
ACW3038 ◊	6.35 (0.59)	24 5/16" (617)	37 5/8" (955)	7.11 (0.66)	7.50 (0.70)	42 1/16" (1068)	10.59 (0.98)
ACW3040 ◊	7.91 (0.73)	27 1/16" (696)	41 5/8" (1057)	7.90 (0.73)	8.30 (0.77)	38 1/16" (967)	11.57 (1.07)
ACW3044 ◊	8.68 (0.81)	27 1/16" (696)	45 5/8" (1159)	8.70 (0.81)	9.09 (0.84)	34 1/16" (865)	12.55 (1.17)
ACW3048 ◊	9.44 (0.88)	27 1/16" (696)	49 5/8" (1260)	9.49 (0.88)	9.89 (0.92)	30 1/16" (763)	13.52 (1.26)
ACW3050 ◊	10.20 (0.95)	27 1/16" (696)	53 5/8" (1362)	10.29 (0.96)	10.69 (0.99)	26 1/16" (662)	14.50 (1.35)
ACW3054 ◊	10.96 (1.02)	27 1/16" (696)	57 5/8" (1464)	11.08 (1.03)	11.49 (1.07)	22 1/16" (560)	15.48 (1.44)
ACW3058 ◊	11.72 (1.09)	27 1/16" (696)	61 5/8" (1565)	11.88 (1.10)	12.28 (1.14)	18 1/16" (459)	16.46 (1.53)
ACW3060 ◊†	12.48 (1.16)	27 1/16" (696)	65 5/8" (1667)	12.67 (1.18)	13.08 (1.22)	14 1/16" (357)	17.44 (1.62)
ACW3064 ◊**	10.77 (1.00)	22 3/4" (565)	69 5/8" (1768)	13.47 (1.25)	13.88 (1.29)	10 1/16" (256)	18.42 (1.71)
ACW3068 ◊**	11.39 (1.06)	22 3/4" (565)	73 5/8" (1870)	14.26 (1.32)	14.68 (1.36)	6 1/16" (154)	19.40 (1.80)
ACW3070 ◊**	12.01 (1.12)	22 3/4" (565)	77 5/8" (1972)	15.05 (1.40)	15.47 (1.44)	15 9/16" (395)	20.38 (1.89)

• "Top of Subfloor to Top of Inside Sill Stop" is calculated based upon a structural header height of 6'-10 1/2" (2096).
• Dimensions in parentheses are in millimeters or square meters.
◊Meet or exceed clear opening area of 5.7 sq.ft. or 0.53 m², clear opening width of 20" (508) and clear opening height of 24" (610).
◊Meet or exceed clear opening area of 5.7 sq.ft. or 0.53 m², clear opening width of 20" (508) and clear opening height of 24" (610) with a limited sash opening.
*Available with straight-arm operators only. All other sizes have split-arm operators only.
†Not available with triple-pane annealed glass.
‡Not available with triple-pane annealed or tempered glass.

continued on next page

CASEMENT WINDOWS

Casement Window Opening and Area Specifications (continued)

Window Number	Clear Opening Area Sq. Ft./ (m ²)	Clear Opening in Full Open Position		Glass Area Sq. Ft./ (m ²)	Vent Area Sq. Ft./ (m ²)	Top of Subfloor to Top of Inside Sill Stop Inches/ (mm)	Overall Window Area Sq. Ft./ (m ²)
		Width Inches/ (mm)	Height Inches/ (mm)				
ACW3074 ♦♦††	12.63 (1.17)	22 1/4" (565)	81 5/8" (2073)	15.85 (1.47)	16.27 (1.51)	11 9/16" (294)	21.36 (1.98)
ACW3078 ♦♦††	13.25 (1.23)	22 1/4" (565)	85 5/8" (2175)	16.64 (1.55)	17.07 (1.59)	7 9/16" (192)	22.34 (2.08)
ACW3080 ♦♦††	13.87 (1.29)	22 1/4" (565)	89 5/8" (2276)	17.44 (1.62)	17.87 (1.66)	3 9/16" (90)	23.32 (2.17)
ACW3230 *†	4.78 (0.44)	23 1/4" (591)	29 5/8" (752)	5.91 (0.55)	6.31 (0.59)	50 1/16" (1271)	9.12 (0.85)
ACW3234 *†	5.43 (0.50)	23 1/4" (591)	33 5/8" (853)	6.76 (0.63)	7.17 (0.67)	46 1/16" (1170)	10.15 (0.94)
ACW3238 ♦*†	6.07 (0.56)	23 1/4" (591)	37 5/8" (955)	7.61 (0.71)	8.02 (0.75)	42 1/16" (1068)	11.19 (1.04)
ACW3240 ♦*†	6.72 (0.62)	23 1/4" (591)	41 5/8" (1057)	8.46 (0.79)	8.87 (0.82)	38 1/16" (967)	12.22 (1.14)
ACW3244 ♦*†	7.36 (0.68)	23 1/4" (591)	45 5/8" (1159)	9.31 (0.86)	9.73 (0.90)	34 1/16" (865)	13.26 (1.23)
ACW3248 ♦*†	8.01 (0.74)	23 1/4" (591)	49 5/8" (1260)	10.16 (0.94)	10.58 (0.98)	30 1/16" (763)	14.29 (1.33)
ACW3250 ♦*†	8.65 (0.80)	23 1/4" (591)	53 5/8" (1362)	11.01 (1.02)	11.43 (1.06)	26 1/16" (662)	15.33 (1.42)
ACW3254 ♦*†	9.30 (0.86)	23 1/4" (591)	57 5/8" (1464)	11.86 (1.10)	12.29 (1.14)	22 1/16" (560)	16.36 (1.52)
ACW3258 ♦*†	9.95 (0.92)	23 1/4" (591)	61 5/8" (1565)	12.71 (1.18)	13.14 (1.22)	18 1/16" (459)	17.40 (1.62)
ACW3260 ♦*†	10.59 (0.98)	23 1/4" (591)	65 5/8" (1667)	13.56 (1.26)	13.99 (1.30)	14 1/16" (357)	18.43 (1.71)
ACW3264 ♦*†	11.24 (1.04)	23 1/4" (591)	69 5/8" (1768)	14.41 (1.34)	14.85 (1.38)	10 1/16" (256)	19.47 (1.81)
ACW3268 ♦*†	11.88 (1.10)	23 1/4" (591)	73 5/8" (1870)	15.26 (1.42)	15.70 (1.46)	6 1/16" (154)	20.50 (1.90)
ACW3270 ♦*†	12.53 (1.16)	23 1/4" (591)	77 5/8" (1972)	16.11 (1.50)	16.55 (1.54)	15 9/16" (395)	21.54 (2.00)
ACW3274 ♦♦††	13.18 (1.22)	23 1/4" (591)	81 5/8" (2073)	16.96 (1.58)	17.40 (1.62)	11 9/16" (294)	22.57 (2.10)
ACW3278 ♦♦††	13.82 (1.28)	23 1/4" (591)	85 5/8" (2175)	17.81 (1.65)	18.26 (1.70)	7 9/16" (192)	23.60 (2.19)
ACW3280 ♦♦††	14.47 (1.34)	23 1/4" (591)	89 5/8" (2276)	18.66 (1.73)	19.11 (1.78)	3 9/16" (90)	24.64 (2.29)
ACW3430 *†	4.72 (0.44)	23" (584)	29 5/8" (752)	6.29 (0.58)	6.72 (0.62)	50 1/16" (1271)	9.61 (0.89)
ACW3434 *†	5.36 (0.50)	23" (584)	33 5/8" (853)	7.20 (0.67)	7.63 (0.71)	46 1/16" (1170)	10.70 (0.99)
ACW3438 ♦*†	6.00 (0.56)	23" (584)	37 5/8" (955)	8.10 (0.75)	8.54 (0.79)	42 1/16" (1068)	11.79 (1.10)
ACW3440 ♦*†	6.64 (0.62)	23" (584)	41 5/8" (1057)	9.01 (0.84)	9.45 (0.88)	38 1/16" (967)	12.88 (1.20)
ACW3444 ♦*†	7.27 (0.68)	23" (584)	45 5/8" (1159)	9.92 (0.92)	10.36 (0.96)	34 1/16" (865)	13.97 (1.30)
ACW3448 ♦*†	7.91 (0.73)	23" (584)	49 5/8" (1260)	10.82 (1.01)	11.27 (1.05)	30 1/16" (763)	15.06 (1.40)
ACW3450 ♦*†	8.55 (0.79)	23" (584)	53 5/8" (1362)	11.73 (1.09)	12.18 (1.13)	26 1/16" (662)	16.15 (1.50)
ACW3454 ♦*†	9.19 (0.85)	23" (584)	57 5/8" (1464)	12.63 (1.17)	13.09 (1.22)	22 1/16" (560)	17.24 (1.60)
ACW3458 ♦*†	9.83 (0.91)	23" (584)	61 5/8" (1565)	13.54 (1.26)	13.99 (1.30)	18 1/16" (459)	18.33 (1.70)
ACW3460 ♦*†	10.46 (0.97)	23" (584)	65 5/8" (1667)	14.44 (1.34)	14.90 (1.38)	14 1/16" (357)	19.42 (1.80)
ACW3464 ♦*†	11.10 (1.03)	23" (584)	69 5/8" (1768)	15.35 (1.43)	15.81 (1.47)	10 1/16" (256)	20.51 (1.91)
ACW3468 ♦*†	11.74 (1.09)	23" (584)	73 5/8" (1870)	16.25 (1.51)	16.72 (1.55)	6 1/16" (154)	21.60 (2.01)
ACW3470 ♦*†	12.38 (1.15)	23" (584)	77 5/8" (1972)	17.16 (1.59)	17.63 (1.64)	15 9/16" (395)	22.69 (2.11)
ACW3474 ♦♦††	13.02 (1.21)	23" (584)	81 5/8" (2073)	18.07 (1.68)	18.54 (1.72)	11 9/16" (294)	23.78 (2.21)
ACW3478 ♦♦††	13.66 (1.27)	23" (584)	85 5/8" (2175)	18.97 (1.76)	19.45 (1.81)	7 9/16" (192)	24.87 (2.31)
ACW3480 ♦♦††	14.29 (1.33)	23" (584)	89 5/8" (2276)	19.88 (1.85)	20.36 (1.89)	3 9/16" (90)	25.96 (2.41)
ACW3634 *†	5.27 (0.49)	22 9/16" (573)	33 5/8" (853)	7.64 (0.71)	8.10 (0.75)	46 1/16" (1170)	11.24 (1.04)
ACW3638 ♦*†	5.90 (0.55)	22 9/16" (573)	37 5/8" (955)	8.60 (0.80)	9.06 (0.84)	42 1/16" (1068)	12.39 (1.15)
ACW3640 ♦*†	6.53 (0.61)	22 9/16" (573)	41 5/8" (1057)	9.56 (0.89)	10.03 (0.93)	38 1/16" (967)	13.54 (1.26)
ACW3644 ♦*†	7.15 (0.66)	22 9/16" (573)	45 5/8" (1159)	10.52 (0.98)	10.99 (1.02)	34 1/16" (865)	14.68 (1.36)
ACW3648 ♦*†	7.78 (0.72)	22 9/16" (573)	49 5/8" (1260)	11.49 (1.07)	11.96 (1.11)	30 1/16" (763)	15.83 (1.47)
ACW3650 ♦*†	8.41 (0.78)	22 9/16" (573)	53 5/8" (1362)	12.45 (1.16)	12.92 (1.20)	26 1/16" (662)	16.97 (1.58)
ACW3654 ♦*†	9.03 (0.84)	22 9/16" (573)	57 5/8" (1464)	13.41 (1.25)	13.89 (1.29)	22 1/16" (560)	18.12 (1.68)
ACW3658 ♦*†	9.66 (0.90)	22 9/16" (573)	61 5/8" (1565)	14.37 (1.34)	14.85 (1.38)	18 1/16" (459)	19.26 (1.79)
ACW3660 ♦*†	10.29 (0.96)	22 9/16" (573)	65 5/8" (1667)	15.33 (1.42)	15.81 (1.47)	14 1/16" (357)	20.41 (1.90)
ACW3664 ♦*†	10.92 (1.01)	22 9/16" (573)	69 5/8" (1768)	16.29 (1.51)	16.78 (1.56)	10 1/16" (256)	21.56 (2.00)
ACW3668 ♦*†	11.54 (1.07)	22 9/16" (573)	73 5/8" (1870)	17.25 (1.60)	17.74 (1.65)	6 1/16" (154)	22.70 (2.11)
ACW3670 ♦*†	12.17 (1.13)	22 9/16" (573)	77 5/8" (1972)	18.21 (1.69)	18.71 (1.74)	15 9/16" (395)	23.85 (2.22)
ACW3674 ♦♦††	12.80 (1.19)	22 9/16" (573)	81 5/8" (2073)	19.17 (1.78)	19.67 (1.83)	11 9/16" (294)	24.99 (2.32)
ACW3678 ♦♦††	13.43 (1.25)	22 9/16" (573)	85 5/8" (2175)	20.14 (1.87)	20.64 (1.92)	7 9/16" (192)	26.14 (2.43)
ACW3680 ♦♦††	14.05 (1.31)	22 9/16" (573)	89 5/8" (2276)	21.10 (1.96)	21.60 (2.01)	3 9/16" (90)	27.29 (2.54)
ACW3834 *††	5.18 (0.48)	22 1/4" (565)	33 5/8" (853)	8.08 (0.75)	8.57 (0.80)	46 1/16" (1170)	11.79 (1.10)
ACW3838 ♦*††	5.80 (0.54)	22 1/4" (565)	37 5/8" (955)	9.10 (0.85)	9.59 (0.89)	42 1/16" (1068)	12.99 (1.21)
ACW3840 ♦*††	6.42 (0.60)	22 1/4" (565)	41 5/8" (1057)	10.12 (0.94)	10.61 (0.99)	38 1/16" (967)	14.19 (1.32)
ACW3844 ♦*††	7.04 (0.65)	22 1/4" (565)	45 5/8" (1159)	11.13 (1.03)	11.63 (1.08)	34 1/16" (865)	15.39 (1.43)
ACW3848 ♦*††	7.65 (0.71)	22 1/4" (565)	49 5/8" (1260)	12.15 (1.13)	12.65 (1.18)	30 1/16" (763)	16.59 (1.54)
ACW3850 ♦*††	8.27 (0.77)	22 1/4" (565)	53 5/8" (1362)	13.17 (1.22)	13.67 (1.27)	26 1/16" (662)	17.80 (1.65)
ACW3854 ♦*††	8.89 (0.83)	22 1/4" (565)	57 5/8" (1464)	14.18 (1.32)	14.69 (1.36)	22 1/16" (560)	19.00 (1.77)
ACW3858 ♦*††	9.50 (0.88)	22 1/4" (565)	61 5/8" (1565)	15.20 (1.41)	15.71 (1.46)	18 1/16" (459)	20.20 (1.88)
ACW3860 ♦*††	10.12 (0.94)	22 1/4" (565)	65 5/8" (1667)	16.22 (1.51)	16.73 (1.55)	14 1/16" (357)	21.40 (1.99)
ACW3864 ♦*††	10.74 (1.00)	22 1/4" (565)	69 5/8" (1768)	17.23 (1.60)	17.75 (1.65)	10 1/16" (256)	22.60 (2.10)
ACW3868 ♦*††	11.36 (1.06)	22 1/4" (565)	73 5/8" (1870)	18.25 (1.70)	18.76 (1.74)	6 1/16" (154)	23.80 (2.21)
ACW3870 ♦*††	11.97 (1.11)	22 1/4" (565)	77 5/8" (1972)	19.27 (1.79)	19.78 (1.84)	15 9/16" (395)	25.00 (2.32)

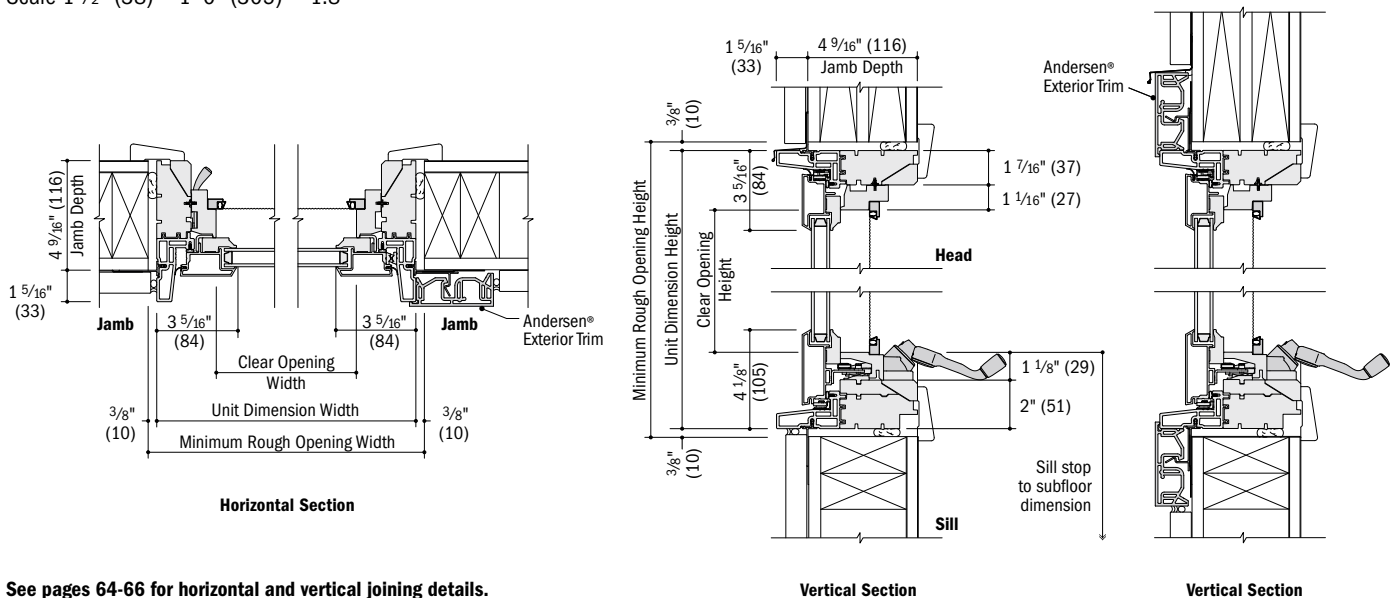
- "Top of Subfloor to Top of Inside Sill Stop" is calculated based upon a structural header height of 6'-10 1/2" (2096).
- Dimensions in parentheses are in millimeters or square meters.
- ♦ Meet or exceed clear opening area of 5.7 sq.ft. or 0.53 m², clear opening width of 20" (508) and clear opening height of 24" (610).
- ◇ Meet or exceed clear opening area of 5.7 sq.ft. or 0.53 m², clear opening width of 20" (508) and clear opening height of 24" (610) with a limited sash opening.
- * Available with straight-arm operators only. All other sizes have split-arm operators only.
- † Not available with triple-pane annealed glass.
- †† Not available with triple-pane annealed or tempered glass.

Casement Window Opening and Area Specifications (continued)

Window Number	Clear Opening Area Sq. Ft./ (m ²)	Clear Opening in Full Open Position		Glass Area Sq. Ft./ (m ²)	Vent Area Sq. Ft./ (m ²)	Top of Subfloor to Top of Inside Sill Stop Inches/ (mm)	Overall Window Area Sq. Ft./ (m ²)
		Width Inches/ (mm)	Height Inches/ (mm)				
ACW3874 ♦♦†	12.59 (1.17)	22 1/4" (565)	81 5/8" (2073)	20.28 (1.88)	20.80 (1.93)	11 9/16" (294)	26.21 (2.43)
ACW3878 ♦♦††	13.21 (1.23)	22 1/4" (565)	85 5/8" (2175)	21.30 (1.98)	21.82 (2.03)	7 9/16" (192)	27.41 (2.55)
ACW3880 ♦♦††	13.82 (1.28)	22 1/4" (565)	89 5/8" (2276)	22.32 (2.07)	22.84 (2.12)	3 9/16" (90)	28.61 (2.66)
ACW31038 ♦♦††	5.68 (0.53)	21 3/4" (552)	37 5/8" (955)	9.60 (0.89)	10.11 (0.94)	42 1/16" (1068)	13.59 (1.26)
ACW31040 ♦♦††	6.28 (0.58)	21 3/4" (552)	41 5/8" (1057)	10.67 (0.99)	11.18 (1.04)	38 1/16" (967)	14.85 (1.38)
ACW31044 ♦♦††	6.89 (0.64)	21 3/4" (552)	45 5/8" (1159)	11.74 (1.09)	12.26 (1.14)	34 1/16" (865)	16.10 (1.50)
ACW31048 ♦♦††	7.49 (0.70)	21 3/4" (552)	49 5/8" (1260)	12.81 (1.19)	13.33 (1.24)	30 1/16" (763)	17.36 (1.61)
ACW31050 ♦♦††	8.09 (0.75)	21 3/4" (552)	53 5/8" (1362)	13.89 (1.29)	14.41 (1.34)	26 1/16" (662)	18.62 (1.73)
ACW31054 ♦♦††	8.70 (0.81)	21 3/4" (552)	57 5/8" (1464)	14.96 (1.39)	15.49 (1.44)	22 1/16" (560)	19.88 (1.85)
ACW31058 ♦♦††	9.30 (0.86)	21 3/4" (552)	61 5/8" (1565)	16.03 (1.49)	16.56 (1.54)	18 1/16" (459)	21.13 (1.96)
ACW31060 ♦♦†	9.91 (0.92)	21 3/4" (552)	65 5/8" (1667)	17.10 (1.59)	17.64 (1.64)	14 1/16" (357)	22.39 (2.08)
ACW31064 ♦♦†	10.51 (0.98)	21 3/4" (552)	69 5/8" (1768)	18.17 (1.69)	18.71 (1.74)	10 1/16" (256)	23.65 (2.20)
ACW31068 ♦♦†	11.11 (1.03)	21 3/4" (552)	73 5/8" (1870)	19.25 (1.79)	19.79 (1.84)	6 1/16" (154)	24.90 (2.31)
ACW31070 ♦♦†	11.72 (1.09)	21 3/4" (552)	77 5/8" (1972)	20.32 (1.89)	20.86 (1.94)	15 9/16" (395)	26.16 (2.43)
ACW31074 ♦♦††	12.32 (1.14)	21 3/4" (552)	81 5/8" (2073)	21.39 (1.99)	21.94 (2.04)	11 9/16" (294)	27.42 (2.55)
ACW31078 ♦♦††	12.93 (1.20)	21 3/4" (552)	85 5/8" (2175)	22.46 (2.09)	23.01 (2.14)	7 9/16" (192)	28.67 (2.66)
ACW31080 ♦♦††	13.53 (1.26)	21 3/4" (552)	89 5/8" (2276)	23.54 (2.19)	24.09 (2.24)	3 9/16" (90)	29.93 (2.78)
ACW4038 ♦♦††	5.53 (0.51)	21 3/16" (538)	37 5/8" (955)	10.09 (0.94)	10.63 (0.99)	42 1/16" (1068)	14.19 (1.32)
ACW4040 ♦♦††	6.12 (0.57)	21 3/16" (538)	41 5/8" (1057)	11.22 (1.04)	11.76 (1.09)	38 1/16" (967)	15.50 (1.44)
ACW4044 ♦♦††	6.71 (0.62)	21 3/16" (538)	45 5/8" (1159)	12.35 (1.15)	12.89 (1.20)	34 1/16" (865)	16.82 (1.56)
ACW4048 ♦♦††	7.30 (0.68)	21 3/16" (538)	49 5/8" (1260)	13.48 (1.25)	14.02 (1.30)	30 1/16" (763)	18.13 (1.68)
ACW4050 ♦♦††	7.89 (0.73)	21 3/16" (538)	53 5/8" (1362)	14.60 (1.36)	15.15 (1.41)	26 1/16" (662)	19.44 (1.81)
ACW4054 ♦♦††	8.48 (0.79)	21 3/16" (538)	57 5/8" (1464)	15.73 (1.46)	16.29 (1.51)	22 1/16" (560)	20.75 (1.93)
ACW4058 ♦♦††	9.07 (0.84)	21 3/16" (538)	61 5/8" (1565)	16.86 (1.57)	17.42 (1.62)	18 1/16" (459)	22.07 (2.05)
ACW4060 ♦♦†	9.66 (0.90)	21 3/16" (538)	65 5/8" (1667)	17.99 (1.67)	18.55 (1.72)	14 1/16" (357)	23.38 (2.17)
ACW4064 ♦♦†	10.24 (0.95)	21 3/16" (538)	69 5/8" (1768)	19.12 (1.78)	19.68 (1.83)	10 1/16" (256)	24.69 (2.29)
ACW4068 ♦♦†	10.83 (1.01)	21 3/16" (538)	73 5/8" (1870)	20.24 (1.88)	20.81 (1.93)	6 1/16" (154)	26.00 (2.42)
ACW4070 ♦♦†	11.42 (1.06)	21 3/16" (538)	77 5/8" (1972)	21.37 (1.99)	21.94 (2.04)	15 9/16" (395)	27.32 (2.54)
ACW4074 ♦♦††	12.01 (1.12)	21 3/16" (538)	81 5/8" (2073)	22.50 (2.09)	23.07 (2.14)	11 9/16" (294)	28.63 (2.66)
ACW4078 ♦♦††	12.60 (1.17)	21 3/16" (538)	85 5/8" (2175)	23.63 (2.20)	24.20 (2.25)	7 9/16" (192)	29.94 (2.78)
ACW4080 ♦♦††	13.19 (1.23)	21 3/16" (538)	89 5/8" (2276)	24.75 (2.30)	25.33 (2.35)	3 9/16" (90)	31.25 (2.90)

- "Top of Subfloor to Top of Inside Sill Stop" is calculated based upon a structural header height of 6'-10 1/2" (2096).
- Dimensions in parentheses are in millimeters or square meters.
- ♦ Meet or exceed clear opening area of 5.7 sq.ft. or 0.53 m², clear opening width of 20" (508) and clear opening height of 24" (610).
- ◊ Meet or exceed clear opening area of 5.7 sq.ft. or 0.53 m², clear opening width of 20" (508) and clear opening height of 24" (610) with a limited sash opening.
- * Available with straight-arm operators only. All other sizes have split-arm operators only.
- † Not available with triple-pane annealed glass.
- †† Not available with triple-pane annealed or tempered glass.

Casement Window Details
Scale 1 1/2" (38) = 1'-0" (305) – 1:8



See pages 64-66 for horizontal and vertical joining details.

- 4 9/16" (116) jamb depth measurement is from back side of installation flange.
- Light-colored areas are parts included with window. Dark-colored areas are additional Andersen® parts required to complete window assembly as shown.
- Dimensions in parentheses are in millimeters.
- Rough openings may need to be increased to allow for use of building wraps, flashing, sill panning, brackets, fasteners or other items. See installation information on pages 236-237.
- Details are for illustration only and are not intended to represent product installation methods or materials. Refer to product installation guides at andersenwindows.com.

AWNING WINDOWS

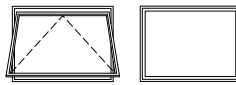
Table of Awning Window Sizes

Scale 1/8" (3) = 1'-0" (305) – 1:96

Window Dimension	1'-7 1/4"	1'-11 1/4"	2'-3 1/4"	2'-5 1/4"	2'-7 1/4"	2'-9 1/4"	2'-11 1/4"	3'-1 1/4"	3'-3 1/4"	3'-7 1/4"	3'-11 1/4"	4'-3 1/4"
	(489)	(591)	(692)	(743)	(794)	(845)	(895)	(946)	(997)	(1099)	(1200)	(1302)
Minimum Rough Opening	1'-8"	2'-0"	2'-4"	2'-6"	2'-8"	2'-10"	3'-0"	3'-2"	3'-4"	3'-8"	4'-0"	4'-4"
	(508)	(610)	(711)	(762)	(813)	(864)	(914)	(965)	(1016)	(1118)	(1219)	(1321)
Unobstructed Glass	12 5/8"	16 5/8"	20 5/8"	22 5/8"	24 5/8"	26 5/8"	28 5/8"	30 5/8"	32 5/8"	36 5/8"	40 5/8"	44 5/8"
	(320)	(422)	(523)	(574)	(625)	(676)	(726)	(777)	(828)	(930)	(1031)	(1133)

CUSTOM SIZES AVAILABLE

Window Dimension	1'-3 1/4"	1'-7 1/4"	1'-9 1/4"	1'-11 1/4"	2'-3 1/4"	2'-7 1/4"	2'-11 1/4"	3'-3 1/4"	3'-7 1/4"	3'-11 1/4"	4'-3 1/4"	
	(387)	(489)	(540)	(591)	(692)	(794)	(895)	(997)	(1099)	(1200)	(1302)	
	1'-4"	1'-8"	1'-10"	2'-0"	2'-4"	2'-8"	3'-0"	3'-4"	3'-8"	4'-0"	4'-4"	
	(406)	(508)	(559)	(610)	(711)	(813)	(914)	(1016)	(1118)	(1219)	(1321)	
	7 13/16"	11 13/16"	13 13/16"	15 13/16"	19 13/16"	23 13/16"	27 13/16"	31 13/16"	35 13/16"	39 13/16"	44 5/8"	
	(198)	(300)	(351)	(401)	(503)	(605)	(706)	(808)	(909)	(1011)	(1133)	
CUSTOM SIZES AVAILABLE												
	AAN1814	AAN2014	AAN2414	AAN2614	AAN2814	AAN21014	AAN3014	AAN3214	AAN3414	AAN3814	AAN4014	AAN4414
	AAN1818	AAN2018	AAN2418	AAN2618	AAN2818	AAN21018	AAN3018	AAN3218	AAN3418	AAN3818	AAN4018	AAN4418
	AAN18110	AAN20110	AAN24110	AAN26110	AAN28110	AAN210110	AAN30110	AAN32110	AAN34110	AAN38110	AAN40110	AAN44110
	AAN1820	AAN2020	AAN2420	AAN2620	AAN2820	AAN21020	AAN3020	AAN3220	AAN3420	AAN3820	AAN4020	AAN4420
	AAN1824	AAN2024	AAN2424	AAN2624	AAN2824	AAN21024	AAN3024	AAN3224	AAN3424	AAN3824	AAN4024	AAN4424
	AAN1828	AAN2028	AAN2428	AAN2628	AAN2828	AAN21028	AAN3028	AAN3228	AAN3428	AAN3828	AAN4028	AAN4428
	AAN1830*	AAN2030*	AAN2430*	AAN2630*	AAN2830*	AAN21030*	AAN3030*	AAN3230*	AAN3430*	AAN3830*	AAN4030*	AAN4430*
	AAN1834**†	AAN2034**†	AAN2434**†	AAN2634**†	AAN2834**†	AAN21034**†	AAN3034**†	AAN3234**†	AAN3434**†	AAN3834**†	AAN4034**†	AAN4434**†
	AAN1838**†	AAN2038**†	AAN2438**†	AAN2638**†	AAN2838**†	AAN21038**†	AAN3038**†	AAN3238**†	AAN3438**†	AAN3838**†	AAN4038**†	AAN4438**†
	AAN1840**††	AAN2040**††	AAN2440**††	AAN2640**††	AAN2840**††	AAN21040**††	AAN3040**††	AAN3240**††	AAN3440**††	AAN3840**††	AAN4040**††	AAN4440**††



Venting Stationary

Custom-size windows are available in 1/8" (3) increments.

See page 67 for custom sizes and specifications.


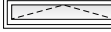

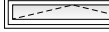



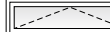












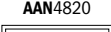

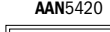







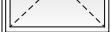
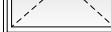
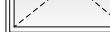
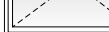
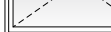
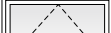
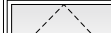



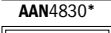


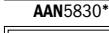

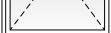
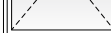
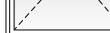
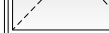

Choose venting or stationary.

Awning window must be installed to vent as shown and should not be rotated and used as a hopper.

Grille patterns shown on page 41.

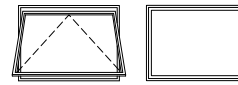
• "Window Dimension" always refers to outside frame to frame dimension.
 • "Minimum Rough Opening" dimensions may need to be increased to allow for use of building wraps, flashing, sill panning, brackets, fasteners or other items. See pages 236-237 for more details.
 • Dimensions in parentheses are in millimeters.
 *Tandem locks are standard.
 †Not available with triple-pane annealed glass.
 ††Not available with triple-pane annealed or tempered glass.

4'-7 1/4" (1403)	4'-11 1/4" (1505)	5'-3 1/4" (1607)	5'-7 1/4" (1708)	5'-11 1/4" (1810)
4'-8" (1422)	5'-0" (1524)	5'-4" (1626)	5'-8" (1727)	6'-0" (1829)
48 5/8" (1234)	52 5/8" (1336)	56 5/8" (1438)	60 5/8" (1539)	64 5/8" (1641)

 AAN4814	 AAN5014	 AAN5414	 AAN5814	 AAN6014
 AAN4818	 AAN5018	 AAN5418	 AAN5818	 AAN6018
 AAN48110	 AAN50110	 AAN54110	 AAN58110	 AAN60110
 AAN4820	 AAN5020	 AAN5420	 AAN5820	 AAN6020
 AAN4824	 AAN5024	 AAN5424	 AAN5824	 AAN6024
 AAN4828	 AAN5028	 AAN5428	 AAN5828	 AAN6028
 AAN4830*	 AAN5030*	 AAN5430*	 AAN5830*	 AAN6030*
 AAN4834*†	 AAN5034*†	 AAN5434*†	 AAN5834*†	 AAN6034*†
 AAN4838*††	 AAN5038*††	 AAN5438*††	 AAN5838*††	 AAN6038*††
 AAN4840*††	 AAN5040*††	 AAN5440*††	 AAN5840*††	 AAN6040*††



Custom-size windows are available in 1/8" (3) increments. See page 67 for custom sizes and specifications.



Venting Stationary

Choose venting or stationary.

Awning window must be installed to vent as shown and should not be rotated and used as a hopper.

Grille patterns shown on page 41.

- * "Window Dimension" always refers to outside frame to frame dimension.
- * "Minimum Rough Opening" dimensions may need to be increased to allow for use of building wraps, flashing, sill panning, brackets, fasteners or other items. See pages 236-237 for more details.
- Dimensions in parentheses are in millimeters.
- *Tandem locks are standard.
- †Not available with triple-pane annealed glass.
- ††Not available with triple-pane annealed or tempered glass.

AWNING WINDOWS

Awning Window Opening and Area Specifications

Window Number	Clear Opening Area Sq. Ft./ (m ²)	Clear Opening in Full Open Position		Glass Area Sq. Ft./ (m ²)	Vent Area Sq. Ft./ (m ²)	Top of Subfloor to Top of Inside Sill Stop Inches/(mm)	Overall Window Area Sq. Ft./ (m ²)
		Width Inches/(mm)	Depth Inches/(mm)				
AAN1814	0.59 (0.05)	14 5/16" (364)	5 7/8" (150)	0.68 (0.06)	0.59 (0.05)	70 1/16" (1779)	2.04 (0.19)
AAN1818	0.59 (0.05)	14 5/16" (364)	5 7/8" (150)	1.03 (0.10)	0.59 (0.05)	66 1/16" (1678)	2.57 (0.24)
AAN18110	0.59 (0.05)	14 5/16" (364)	5 7/8" (150)	1.21 (0.11)	0.59 (0.05)	64 1/16" (1627)	2.84 (0.26)
AAN1820	0.59 (0.05)	14 5/16" (364)	5 7/8" (150)	1.38 (0.13)	0.59 (0.05)	62 1/16" (1576)	3.11 (0.29)
AAN1824	0.59 (0.05)	14 5/16" (364)	5 7/8" (150)	1.73 (0.16)	0.59 (0.05)	58 1/16" (1475)	3.64 (0.34)
AAN1828	0.59 (0.05)	14 5/16" (364)	5 7/8" (150)	2.08 (0.19)	0.59 (0.05)	54 1/16" (1373)	4.18 (0.39)
AAN1830	0.59 (0.05)	14 5/16" (364)	5 7/8" (150)	2.43 (0.23)	0.59 (0.05)	50 1/16" (1271)	4.71 (0.44)
AAN1834 †	0.59 (0.05)	14 5/16" (364)	5 7/8" (150)	2.78 (0.26)	0.59 (0.05)	46 1/16" (1170)	5.25 (0.49)
AAN1838 †	0.59 (0.05)	14 5/16" (364)	5 7/8" (150)	3.13 (0.29)	0.59 (0.05)	42 1/16" (1068)	5.78 (0.54)
AAN1840 †	0.59 (0.05)	14 5/16" (364)	5 7/8" (150)	3.48 (0.32)	0.59 (0.05)	38 1/16" (967)	6.32 (0.59)
AAN2014	0.75 (0.07)	18 5/16" (465)	5 7/8" (150)	0.90 (0.08)	0.75 (0.07)	70 1/16" (1779)	2.46 (0.23)
AAN2018	0.75 (0.07)	18 5/16" (465)	5 7/8" (150)	1.36 (0.13)	0.75 (0.07)	66 1/16" (1678)	3.11 (0.29)
AAN20110	0.75 (0.07)	18 5/16" (465)	5 7/8" (150)	1.59 (0.15)	0.75 (0.07)	64 1/16" (1627)	3.43 (0.32)
AAN2020	0.75 (0.07)	18 5/16" (465)	5 7/8" (150)	1.82 (0.17)	0.75 (0.07)	62 1/16" (1576)	3.75 (0.35)
AAN2024	0.75 (0.07)	18 5/16" (465)	5 7/8" (150)	2.28 (0.21)	0.75 (0.07)	58 1/16" (1475)	4.40 (0.41)
AAN2028	0.75 (0.07)	18 5/16" (465)	5 7/8" (150)	2.74 (0.25)	0.75 (0.07)	54 1/16" (1373)	5.05 (0.47)
AAN2030	0.75 (0.07)	18 5/16" (465)	5 7/8" (150)	3.21 (0.30)	0.75 (0.07)	50 1/16" (1271)	5.69 (0.53)
AAN2034 †	0.75 (0.07)	18 5/16" (465)	5 7/8" (150)	3.67 (0.34)	0.75 (0.07)	46 1/16" (1170)	6.34 (0.59)
AAN2038 †	0.75 (0.07)	18 5/16" (465)	5 7/8" (150)	4.13 (0.38)	0.75 (0.07)	42 1/16" (1068)	6.98 (0.65)
AAN2040 †	0.75 (0.07)	18 5/16" (465)	5 7/8" (150)	4.59 (0.43)	0.75 (0.07)	38 1/16" (967)	7.63 (0.71)
AAN2414	0.91 (0.08)	22 5/16" (567)	5 7/8" (150)	1.12 (0.10)	0.91 (0.08)	70 1/16" (1779)	2.89 (0.27)
AAN2418	0.91 (0.08)	22 5/16" (567)	5 7/8" (150)	1.69 (0.16)	0.91 (0.08)	66 1/16" (1678)	3.64 (0.34)
AAN24110	0.91 (0.08)	22 5/16" (567)	5 7/8" (150)	1.97 (0.18)	0.91 (0.08)	64 1/16" (1627)	4.02 (0.37)
AAN2420	0.91 (0.08)	22 5/16" (567)	5 7/8" (150)	2.26 (0.21)	0.91 (0.08)	62 1/16" (1576)	4.40 (0.41)
AAN2424	0.91 (0.08)	22 5/16" (567)	5 7/8" (150)	2.83 (0.26)	0.91 (0.08)	58 1/16" (1475)	5.16 (0.48)
AAN2428	0.91 (0.08)	22 5/16" (567)	5 7/8" (150)	3.41 (0.32)	0.91 (0.08)	54 1/16" (1373)	5.91 (0.55)
AAN2430	0.91 (0.08)	22 5/16" (567)	5 7/8" (150)	3.98 (0.37)	0.91 (0.08)	50 1/16" (1271)	6.67 (0.62)
AAN2434 †	0.91 (0.08)	22 5/16" (567)	5 7/8" (150)	4.55 (0.42)	0.91 (0.08)	46 1/16" (1170)	7.43 (0.69)
AAN2438 †	0.91 (0.08)	22 5/16" (567)	5 7/8" (150)	5.12 (0.48)	0.91 (0.08)	42 1/16" (1068)	8.18 (0.76)
AAN2440 †	0.91 (0.08)	22 5/16" (567)	5 7/8" (150)	5.69 (0.53)	0.91 (0.08)	38 1/16" (967)	8.94 (0.83)
AAN2614	0.99 (0.09)	24 5/16" (618)	5 7/8" (150)	1.22 (0.11)	0.99 (0.09)	70 1/16" (1779)	3.10 (0.29)
AAN2618	0.99 (0.09)	24 5/16" (618)	5 7/8" (150)	1.85 (0.17)	0.99 (0.09)	66 1/16" (1678)	3.91 (0.36)
AAN26110	0.99 (0.09)	24 5/16" (618)	5 7/8" (150)	2.17 (0.20)	0.99 (0.09)	64 1/16" (1627)	4.32 (0.40)
AAN2620	0.99 (0.09)	24 5/16" (618)	5 7/8" (150)	2.48 (0.23)	0.99 (0.09)	62 1/16" (1576)	4.72 (0.44)
AAN2624	0.99 (0.09)	24 5/16" (618)	5 7/8" (150)	3.11 (0.29)	0.99 (0.09)	58 1/16" (1475)	5.54 (0.51)
AAN2628	0.99 (0.09)	24 5/16" (618)	5 7/8" (150)	3.75 (0.35)	0.99 (0.09)	54 1/16" (1373)	6.35 (0.59)
AAN2630	0.99 (0.09)	24 5/16" (618)	5 7/8" (150)	4.36 (0.41)	0.99 (0.09)	50 1/16" (1271)	7.16 (0.67)
AAN2634 †	0.99 (0.09)	24 5/16" (618)	5 7/8" (150)	4.99 (0.46)	0.99 (0.09)	46 1/16" (1170)	7.97 (0.74)
AAN2638 †	0.99 (0.09)	24 5/16" (618)	5 7/8" (150)	5.62 (0.52)	0.99 (0.09)	42 1/16" (1068)	8.79 (0.82)
AAN2640 †	0.99 (0.09)	24 5/16" (618)	5 7/8" (150)	6.25 (0.58)	0.99 (0.09)	38 1/16" (967)	9.60 (0.89)
AAN2814	1.08 (0.10)	26 5/16" (668)	5 7/8" (150)	1.33 (0.12)	1.08 (0.10)	70 1/16" (1779)	3.31 (0.31)
AAN2818	1.08 (0.10)	26 5/16" (668)	5 7/8" (150)	2.02 (0.19)	1.08 (0.10)	66 1/16" (1678)	4.18 (0.39)
AAN28110	1.08 (0.10)	26 5/16" (668)	5 7/8" (150)	2.36 (0.22)	1.08 (0.10)	64 1/16" (1627)	4.61 (0.43)
AAN2820	1.08 (0.10)	26 5/16" (668)	5 7/8" (150)	2.70 (0.25)	1.08 (0.10)	62 1/16" (1576)	5.05 (0.47)
AAN2824	1.08 (0.10)	26 5/16" (668)	5 7/8" (150)	3.38 (0.31)	1.08 (0.10)	58 1/16" (1475)	5.91 (0.55)
AAN2828	1.08 (0.10)	26 5/16" (668)	5 7/8" (150)	4.07 (0.38)	1.08 (0.10)	54 1/16" (1373)	6.78 (0.63)
AAN2830	1.08 (0.10)	26 5/16" (668)	5 7/8" (150)	4.75 (0.44)	1.08 (0.10)	50 1/16" (1271)	7.65 (0.71)
AAN2834 †	1.08 (0.10)	26 5/16" (668)	5 7/8" (150)	5.43 (0.50)	1.08 (0.10)	46 1/16" (1170)	8.52 (0.79)
AAN2838 †	1.08 (0.10)	26 5/16" (668)	5 7/8" (150)	6.11 (0.57)	1.08 (0.10)	42 1/16" (1068)	9.39 (0.87)
AAN2840 †	1.08 (0.10)	26 5/16" (668)	5 7/8" (150)	6.80 (0.63)	1.08 (0.10)	38 1/16" (967)	10.25 (0.95)
AAN21014	1.16 (0.11)	28 5/16" (719)	5 7/8" (150)	1.44 (0.13)	1.16 (0.11)	70 1/16" (1779)	3.52 (0.33)
AAN21018	1.16 (0.11)	28 5/16" (719)	5 7/8" (150)	2.18 (0.20)	1.16 (0.11)	66 1/16" (1678)	4.45 (0.41)
AAN210110	1.16 (0.11)	28 5/16" (719)	5 7/8" (150)	2.55 (0.24)	1.16 (0.11)	64 1/16" (1627)	4.91 (0.46)
AAN21020	1.16 (0.11)	28 5/16" (719)	5 7/8" (150)	2.92 (0.27)	1.16 (0.11)	62 1/16" (1576)	5.37 (0.50)
AAN21024	1.16 (0.11)	28 5/16" (719)	5 7/8" (150)	3.66 (0.34)	1.16 (0.11)	58 1/16" (1475)	6.29 (0.58)
AAN21028	1.16 (0.11)	28 5/16" (719)	5 7/8" (150)	4.40 (0.41)	1.16 (0.11)	54 1/16" (1373)	7.22 (0.67)
AAN21030	1.16 (0.11)	28 5/16" (719)	5 7/8" (150)	5.14 (0.48)	1.16 (0.11)	50 1/16" (1271)	8.14 (0.76)
AAN21034 †	1.16 (0.11)	28 5/16" (719)	5 7/8" (150)	5.87 (0.55)	1.16 (0.11)	46 1/16" (1170)	9.06 (0.84)
AAN21038 †	1.16 (0.11)	28 5/16" (719)	5 7/8" (150)	6.61 (0.61)	1.16 (0.11)	42 1/16" (1068)	9.99 (0.93)

* "Top of Subfloor to Top of Inside Sill Stop" is calculated based upon a structural header height of 6'-10 1/2" (2096).

continued on next page

• Dimensions in parentheses are in millimeters or square meters.

† Not available with triple-pane annealed glass.

†† Not available with triple-pane annealed or tempered glass.

Awning Window Opening and Area Specifications *(continued)*

Window Number	Clear Opening Area Sq. Ft./ (m ²)	Clear Opening in Full Open Position		Glass Area Sq. Ft./ (m ²)	Vent Area Sq. Ft./ (m ²)	Top of Subfloor to Top of Inside Sill Stop Inches/ (mm)	Overall Window Area Sq. Ft./ (m ²)
		Width Inches/ (mm)	Depth Inches/ (mm)				
AAN21040 †	1.16 (0.11)	28 5/16" (719)	5 7/8" (150)	7.35 (0.68)	1.16 (0.11)	38 1/16" (967)	10.91 (1.01)
AAN3014	1.24 (0.12)	30 5/16" (770)	5 7/8" (150)	1.55 (0.14)	1.24 (0.12)	70 1/16" (1779)	3.73 (0.35)
AAN3018	1.24 (0.12)	30 5/16" (770)	5 7/8" (150)	2.34 (0.22)	1.24 (0.12)	66 1/16" (1678)	4.71 (0.44)
AAN30110	1.24 (0.12)	30 5/16" (770)	5 7/8" (150)	2.74 (0.25)	1.24 (0.12)	64 1/16" (1627)	5.20 (0.48)
AAN3020	1.24 (0.12)	30 5/16" (770)	5 7/8" (150)	3.14 (0.29)	1.24 (0.12)	62 1/16" (1576)	5.69 (0.53)
AAN3024	1.24 (0.12)	30 5/16" (770)	5 7/8" (150)	3.93 (0.37)	1.24 (0.12)	58 1/16" (1475)	6.67 (0.62)
AAN3028	1.24 (0.12)	30 5/16" (770)	5 7/8" (150)	4.73 (0.44)	1.24 (0.12)	54 1/16" (1373)	7.56 (0.70)
AAN3030	1.24 (0.12)	30 5/16" (770)	5 7/8" (150)	5.52 (0.51)	1.24 (0.12)	50 1/16" (1271)	8.63 (0.80)
AAN3034 †	1.24 (0.12)	30 5/16" (770)	5 7/8" (150)	6.32 (0.59)	1.24 (0.12)	46 1/16" (1170)	9.61 (0.89)
AAN3038 †	1.24 (0.12)	30 5/16" (770)	5 7/8" (150)	7.11 (0.66)	1.24 (0.12)	42 1/16" (1068)	10.59 (0.98)
AAN3040 †	1.24 (0.12)	30 5/16" (770)	5 7/8" (150)	7.90 (0.73)	1.24 (0.12)	38 1/16" (967)	11.57 (1.07)
AAN3214	1.32 (0.12)	32 5/16" (821)	5 7/8" (150)	1.66 (0.15)	1.32 (0.12)	70 1/16" (1779)	3.95 (0.37)
AAN3218	1.32 (0.12)	32 5/16" (821)	5 7/8" (150)	2.51 (0.23)	1.32 (0.12)	66 1/16" (1678)	4.98 (0.46)
AAN32110	1.32 (0.12)	32 5/16" (821)	5 7/8" (150)	2.93 (0.27)	1.32 (0.12)	64 1/16" (1627)	5.50 (0.51)
AAN3220	1.32 (0.12)	32 5/16" (821)	5 7/8" (150)	3.36 (0.31)	1.32 (0.12)	62 1/16" (1576)	6.01 (0.56)
AAN3224	1.32 (0.12)	32 5/16" (821)	5 7/8" (150)	4.21 (0.39)	1.32 (0.12)	58 1/16" (1475)	7.05 (0.65)
AAN3228	1.32 (0.12)	32 5/16" (821)	5 7/8" (150)	5.06 (0.47)	1.32 (0.12)	54 1/16" (1373)	8.08 (0.75)
AAN3230	1.32 (0.12)	32 5/16" (821)	5 7/8" (150)	5.91 (0.55)	1.32 (0.12)	50 1/16" (1271)	9.12 (0.85)
AAN3234 †	1.32 (0.12)	32 5/16" (821)	5 7/8" (150)	6.76 (0.63)	1.32 (0.12)	46 1/16" (1170)	10.15 (0.94)
AAN3238 †	1.32 (0.12)	32 5/16" (821)	5 7/8" (150)	7.61 (0.71)	1.32 (0.12)	42 1/16" (1068)	11.19 (1.04)
AAN3240 †	1.32 (0.12)	32 5/16" (821)	5 7/8" (150)	8.46 (0.79)	1.32 (0.12)	38 1/16" (967)	12.22 (1.14)
AAN3414	1.40 (0.13)	34 5/16" (872)	5 7/8" (150)	1.77 (0.16)	1.40 (0.13)	70 1/16" (1779)	4.16 (0.39)
AAN3418	1.40 (0.13)	34 5/16" (872)	5 7/8" (150)	2.67 (0.25)	1.40 (0.13)	66 1/16" (1678)	5.25 (0.49)
AAN34110	1.40 (0.13)	34 5/16" (872)	5 7/8" (150)	3.12 (0.29)	1.40 (0.13)	64 1/16" (1627)	5.79 (0.54)
AAN3420	1.40 (0.13)	34 5/16" (872)	5 7/8" (150)	3.58 (0.33)	1.40 (0.13)	62 1/16" (1576)	6.34 (0.59)
AAN3424	1.40 (0.13)	34 5/16" (872)	5 7/8" (150)	4.48 (0.42)	1.40 (0.13)	58 1/16" (1475)	7.43 (0.69)
AAN3428	1.40 (0.13)	34 5/16" (872)	5 7/8" (150)	5.39 (0.50)	1.40 (0.13)	54 1/16" (1373)	8.52 (0.79)
AAN3430	1.40 (0.13)	34 5/16" (872)	5 7/8" (150)	6.29 (0.58)	1.40 (0.13)	50 1/16" (1271)	9.61 (0.89)
AAN3434 †	1.40 (0.13)	34 5/16" (872)	5 7/8" (150)	7.20 (0.67)	1.40 (0.13)	46 1/16" (1170)	10.70 (0.99)
AAN3438 †	1.40 (0.13)	34 5/16" (872)	5 7/8" (150)	8.10 (0.75)	1.40 (0.13)	42 1/16" (1068)	11.79 (1.10)
AAN3440 †	1.40 (0.13)	34 5/16" (872)	5 7/8" (150)	9.01 (0.84)	1.40 (0.13)	38 1/16" (967)	12.88 (1.20)
AAN3814	1.57 (0.15)	38 5/16" (973)	5 7/8" (150)	1.98 (0.18)	1.57 (0.15)	70 1/16" (1779)	4.58 (0.43)
AAN3818	1.57 (0.15)	38 5/16" (973)	5 7/8" (150)	3.00 (0.28)	1.57 (0.15)	66 1/16" (1678)	5.78 (0.54)
AAN38110	1.57 (0.15)	38 5/16" (973)	5 7/8" (150)	3.51 (0.33)	1.57 (0.15)	64 1/16" (1627)	6.38 (0.59)
AAN3820	1.57 (0.15)	38 5/16" (973)	5 7/8" (150)	4.02 (0.37)	1.57 (0.15)	62 1/16" (1576)	6.98 (0.65)
AAN3824	1.57 (0.15)	38 5/16" (973)	5 7/8" (150)	5.03 (0.47)	1.57 (0.15)	58 1/16" (1475)	8.18 (0.76)
AAN3828	1.57 (0.15)	38 5/16" (973)	5 7/8" (150)	6.05 (0.56)	1.57 (0.15)	54 1/16" (1373)	9.39 (0.87)
AAN3830	1.57 (0.15)	38 5/16" (973)	5 7/8" (150)	7.07 (0.66)	1.57 (0.15)	50 1/16" (1271)	10.59 (0.98)
AAN3834 †	1.57 (0.15)	38 5/16" (973)	5 7/8" (150)	8.08 (0.75)	1.57 (0.15)	46 1/16" (1170)	11.79 (1.10)
AAN3838 ††	1.57 (0.15)	38 5/16" (973)	5 7/8" (150)	9.10 (0.85)	1.57 (0.15)	42 1/16" (1068)	12.99 (1.21)
AAN3840 ††	1.57 (0.15)	38 5/16" (973)	5 7/8" (150)	10.12 (0.94)	1.57 (0.15)	38 1/16" (967)	14.19 (1.32)
AAN4014	1.73 (0.16)	42 5/16" (1075)	5 7/8" (150)	2.20 (0.20)	1.73 (0.16)	70 1/16" (1779)	5.00 (0.46)
AAN4018	1.73 (0.16)	42 5/16" (1075)	5 7/8" (150)	3.33 (0.31)	1.73 (0.16)	66 1/16" (1678)	6.32 (0.59)
AAN40110	1.73 (0.16)	42 5/16" (1075)	5 7/8" (150)	3.89 (0.36)	1.73 (0.16)	64 1/16" (1627)	6.97 (0.65)
AAN4020	1.73 (0.16)	42 5/16" (1075)	5 7/8" (150)	4.46 (0.41)	1.73 (0.16)	62 1/16" (1576)	7.63 (0.71)
AAN4024	1.73 (0.16)	42 5/16" (1075)	5 7/8" (150)	5.58 (0.52)	1.73 (0.16)	58 1/16" (1475)	8.94 (0.83)
AAN4028	1.73 (0.16)	42 5/16" (1075)	5 7/8" (150)	6.71 (0.62)	1.73 (0.16)	54 1/16" (1373)	10.25 (0.95)
AAN4030	1.73 (0.16)	42 5/16" (1075)	5 7/8" (150)	7.84 (0.73)	1.73 (0.16)	50 1/16" (1271)	11.57 (1.07)
AAN4034 †	1.73 (0.16)	42 5/16" (1075)	5 7/8" (150)	8.97 (0.83)	1.73 (0.16)	46 1/16" (1170)	12.88 (1.20)
AAN4038 ††	1.73 (0.16)	42 5/16" (1075)	5 7/8" (150)	10.09 (0.94)	1.73 (0.16)	42 1/16" (1068)	14.19 (1.32)
AAN4040 ††	1.73 (0.16)	42 5/16" (1075)	5 7/8" (150)	11.22 (1.04)	1.73 (0.16)	38 1/16" (967)	15.50 (1.44)
AAN4414	1.90 (0.18)	46 5/16" (1176)	5 7/8" (150)	2.42 (0.22)	1.90 (0.18)	70 1/16" (1779)	5.43 (0.50)
AAN4418	1.90 (0.18)	46 5/16" (1176)	5 7/8" (150)	3.66 (0.34)	1.90 (0.18)	66 1/16" (1678)	6.85 (0.64)
AAN44110	1.90 (0.18)	46 5/16" (1176)	5 7/8" (150)	4.27 (0.40)	1.90 (0.18)	64 1/16" (1627)	7.56 (0.70)
AAN4420	1.90 (0.18)	46 5/16" (1176)	5 7/8" (150)	4.89 (0.45)	1.90 (0.18)	62 1/16" (1576)	8.28 (0.77)
AAN4424	1.90 (0.18)	46 5/16" (1176)	5 7/8" (150)	6.13 (0.57)	1.90 (0.18)	58 1/16" (1475)	9.70 (0.90)
AAN4428	1.90 (0.18)	46 5/16" (1176)	5 7/8" (150)	7.37 (0.68)	1.90 (0.18)	54 1/16" (1373)	11.12 (1.03)
AAN4430	1.90 (0.18)	46 5/16" (1176)	5 7/8" (150)	8.61 (0.80)	1.90 (0.18)	50 1/16" (1271)	12.55 (1.17)
AAN4434 †	1.90 (0.18)	46 5/16" (1176)	5 7/8" (150)	9.85 (0.92)	1.90 (0.18)	46 1/16" (1170)	13.97 (1.30)

• "Top of Subfloor to Top of Inside Sill Stop" is calculated based upon a structural header height of 6'-10 1/2" (2096).
 • Dimensions in parentheses are in millimeters or square meters.
 †Not available with triple-pane annealed glass.
 ††Not available with triple-pane annealed or tempered glass.

continued on next page

AWNING WINDOWS

Awning Window Opening and Area Specifications (continued)

Window Number	Clear Opening Area Sq. Ft./ (m ²)	Clear Opening in Full Open Position		Glass Area Sq. Ft./ (m ²)	Vent Area Sq. Ft./ (m ²)	Top of Subfloor to Top of Inside Sill Stop Inches/(mm)	Overall Window Area Sq. Ft./ (m ²)
		Width Inches/(mm)	Depth Inches/(mm)				
AAN4438 ††	1.90 (0.18)	46 5/16" (1176)	5 7/8" (150)	11.09 (1.03)	1.90 (0.18)	42 1/16" (1068)	15.39 (1.43)
AAN4440 ††	1.90 (0.18)	46 5/16" (1176)	5 7/8" (150)	12.33 (1.15)	1.90 (0.18)	38 1/16" (967)	16.82 (1.56)
AAN4814	2.06 (0.19)	50 5/16" (1278)	5 7/8" (150)	2.63 (0.24)	2.06 (0.19)	70 1/16" (1779)	5.85 (0.54)
AAN4818	2.06 (0.19)	50 5/16" (1278)	5 7/8" (150)	3.98 (0.37)	2.06 (0.19)	66 1/16" (1678)	7.39 (0.69)
AAN48110	2.06 (0.19)	50 5/16" (1278)	5 7/8" (150)	4.66 (0.43)	2.06 (0.19)	64 1/16" (1627)	8.15 (0.76)
AAN4820	2.06 (0.19)	50 5/16" (1278)	5 7/8" (150)	5.33 (0.50)	2.06 (0.19)	62 1/16" (1576)	8.92 (0.83)
AAN4824	2.06 (0.19)	50 5/16" (1278)	5 7/8" (150)	6.68 (0.62)	2.06 (0.19)	58 1/16" (1475)	10.46 (0.97)
AAN4828	2.06 (0.19)	50 5/16" (1278)	5 7/8" (150)	8.03 (0.75)	2.06 (0.19)	54 1/16" (1373)	11.99 (1.11)
AAN4830	2.06 (0.19)	50 5/16" (1278)	5 7/8" (150)	9.38 (0.87)	2.06 (0.19)	50 1/16" (1271)	13.53 (1.26)
AAN4834 †	2.06 (0.19)	50 5/16" (1278)	5 7/8" (150)	10.73 (1.00)	2.06 (0.19)	46 1/16" (1170)	15.06 (1.40)
AAN4838 ††	2.06 (0.19)	50 5/16" (1278)	5 7/8" (150)	12.08 (1.12)	2.06 (0.19)	42 1/16" (1068)	16.59 (1.54)
AAN4840 ††	2.06 (0.19)	50 5/16" (1278)	5 7/8" (150)	13.43 (1.25)	2.06 (0.19)	38 1/16" (967)	18.13 (1.68)
AAN5014	2.22 (0.21)	54 5/16" (1380)	5 7/8" (150)	2.85 (0.26)	2.22 (0.21)	70 1/16" (1779)	6.28 (0.58)
AAN5018	2.22 (0.21)	54 5/16" (1380)	5 7/8" (150)	4.31 (0.40)	2.22 (0.21)	66 1/16" (1678)	7.92 (0.74)
AAN50110	2.22 (0.21)	54 5/16" (1380)	5 7/8" (150)	5.04 (0.47)	2.22 (0.21)	64 1/16" (1627)	8.74 (0.81)
AAN5020	2.22 (0.21)	54 5/16" (1380)	5 7/8" (150)	5.77 (0.54)	2.22 (0.21)	62 1/16" (1576)	9.57 (0.89)
AAN5024	2.22 (0.21)	54 5/16" (1380)	5 7/8" (150)	7.23 (0.67)	2.22 (0.21)	58 1/16" (1475)	11.21 (1.04)
AAN5428	2.39 (0.22)	54 5/16" (1380)	5 7/8" (150)	9.36 (0.87)	2.39 (0.22)	54 1/16" (1373)	13.73 (1.28)
AAN5030	2.22 (0.21)	54 5/16" (1380)	5 7/8" (150)	10.16 (0.94)	2.22 (0.21)	50 1/16" (1271)	14.50 (1.35)
AAN5034 †	2.05 (0.19)	54 5/16" (1380)	5 7/8" (150)	11.62 (1.08)	2.05 (0.19)	46 1/16" (1170)	16.15 (1.50)
AAN5038 ††	1.88 (0.17)	54 5/16" (1380)	5 7/8" (150)	13.08 (1.22)	1.88 (0.17)	42 1/16" (1068)	17.80 (1.65)
AAN5040 ††	1.71 (0.16)	54 5/16" (1380)	5 7/8" (150)	14.54 (1.35)	1.71 (0.16)	38 1/16" (967)	19.44 (1.81)
AAN5414	2.39 (0.22)	58 5/16" (1481)	5 7/8" (150)	3.07 (0.29)	2.39 (0.22)	70 1/16" (1779)	6.70 (0.62)
AAN5418	2.39 (0.22)	58 5/16" (1481)	5 7/8" (150)	4.64 (0.43)	2.39 (0.22)	66 1/16" (1678)	8.46 (0.79)
AAN54110	2.39 (0.22)	58 5/16" (1481)	5 7/8" (150)	5.42 (0.50)	2.39 (0.22)	64 1/16" (1627)	9.33 (0.87)
AAN5420	2.39 (0.22)	58 5/16" (1481)	5 7/8" (150)	6.21 (0.58)	2.39 (0.22)	62 1/16" (1576)	10.21 (0.95)
AAN5424	2.39 (0.22)	58 5/16" (1481)	5 7/8" (150)	7.78 (0.72)	2.39 (0.22)	58 1/16" (1475)	11.97 (1.11)
AAN5028	2.22 (0.21)	58 5/16" (1481)	5 7/8" (150)	8.69 (0.81)	2.22 (0.21)	54 1/16" (1373)	12.86 (1.19)
AAN5430	2.39 (0.22)	58 5/16" (1481)	5 7/8" (150)	10.93 (1.02)	2.39 (0.22)	50 1/16" (1271)	15.48 (1.44)
AAN5434 †	2.56 (0.24)	58 5/16" (1481)	5 7/8" (150)	12.50 (1.16)	2.56 (0.24)	46 1/16" (1170)	17.24 (1.60)
AAN5438 ††	2.73 (0.25)	58 5/16" (1481)	5 7/8" (150)	14.07 (1.31)	2.73 (0.25)	42 1/16" (1068)	19.00 (1.77)
AAN5440 ††	2.90 (0.27)	58 5/16" (1481)	5 7/8" (150)	15.64 (1.45)	2.90 (0.27)	38 1/16" (967)	20.75 (1.93)
AAN5814	2.55 (0.24)	62 5/16" (1583)	5 7/8" (150)	3.28 (0.30)	2.55 (0.24)	70 1/16" (1779)	7.12 (0.66)
AAN5818	2.55 (0.24)	62 5/16" (1583)	5 7/8" (150)	4.97 (0.46)	2.55 (0.24)	66 1/16" (1678)	8.99 (0.84)
AAN58110	2.55 (0.24)	62 5/16" (1583)	5 7/8" (150)	5.81 (0.54)	2.55 (0.24)	64 1/16" (1627)	9.92 (0.92)
AAN5820	2.55 (0.24)	62 5/16" (1583)	5 7/8" (150)	6.65 (0.62)	2.55 (0.24)	62 1/16" (1576)	10.86 (1.01)
AAN5824	2.55 (0.24)	62 5/16" (1583)	5 7/8" (150)	8.33 (0.77)	2.55 (0.24)	58 1/16" (1475)	12.73 (1.18)
AAN5828	2.55 (0.24)	62 5/16" (1583)	5 7/8" (150)	10.02 (0.93)	2.55 (0.24)	54 1/16" (1373)	14.59 (1.36)
AAN5830	2.55 (0.24)	62 5/16" (1583)	5 7/8" (150)	11.70 (1.09)	2.55 (0.24)	50 1/16" (1271)	16.46 (1.53)
AAN5834 †	2.55 (0.24)	62 5/16" (1583)	5 7/8" (150)	13.38 (1.24)	2.55 (0.24)	46 1/16" (1170)	18.33 (1.70)
AAN5838 ††	2.55 (0.24)	62 5/16" (1583)	5 7/8" (150)	15.07 (1.40)	2.55 (0.24)	42 1/16" (1068)	20.20 (1.88)
AAN5840 ††	2.55 (0.24)	62 5/16" (1583)	5 7/8" (150)	16.75 (1.56)	2.55 (0.24)	38 1/16" (967)	22.07 (2.05)
AAN6014	2.71 (0.25)	66 5/16" (1684)	5 7/8" (150)	3.50 (0.33)	2.71 (0.25)	70 1/16" (1779)	7.55 (0.70)
AAN6018	2.71 (0.25)	66 5/16" (1684)	5 7/8" (150)	5.29 (0.49)	2.71 (0.25)	66 1/16" (1678)	9.53 (0.89)
AAN60110	2.71 (0.25)	66 5/16" (1684)	5 7/8" (150)	6.19 (0.58)	2.71 (0.25)	64 1/16" (1627)	10.51 (0.98)
AAN6020	2.71 (0.25)	66 5/16" (1684)	5 7/8" (150)	7.09 (0.66)	2.71 (0.25)	62 1/16" (1576)	11.50 (1.07)
AAN6024	2.71 (0.25)	66 5/16" (1684)	5 7/8" (150)	8.88 (0.82)	2.71 (0.25)	58 1/16" (1475)	13.48 (1.25)
AAN6028	2.71 (0.25)	66 5/16" (1684)	5 7/8" (150)	10.68 (0.99)	2.71 (0.25)	54 1/16" (1373)	15.46 (1.44)
AAN6030	2.71 (0.25)	66 5/16" (1684)	5 7/8" (150)	12.47 (1.16)	2.71 (0.25)	50 1/16" (1271)	17.44 (1.62)
AAN6034 †	2.71 (0.25)	66 5/16" (1684)	5 7/8" (150)	14.27 (1.33)	2.71 (0.25)	46 1/16" (1170)	19.42 (1.80)
AAN6038 ††	2.71 (0.25)	66 5/16" (1684)	5 7/8" (150)	16.06 (1.49)	2.71 (0.25)	42 1/16" (1068)	21.40 (1.99)
AAN6040 ††	2.71 (0.25)	66 5/16" (1684)	5 7/8" (150)	17.85 (1.66)	2.71 (0.25)	38 1/16" (967)	23.38 (2.17)

• "Top of Subfloor to Top of Inside Sill Stop" is calculated based upon a structural header height of 6'-10 1/2" (2096).

• Dimensions in parentheses are in millimeters or square meters.

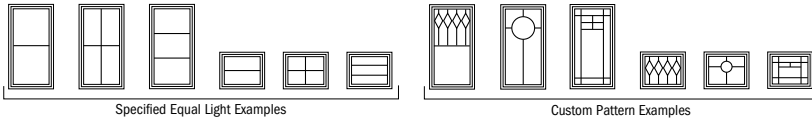
†Not available with triple-pane annealed glass.

††Not available with triple-pane annealed or tempered glass.

Grille Patterns

	Queen Anne	Diamond	Prairie A	Specified Equal Light with Simulated Check Rail	Colonial	Modified* Colonial	Modified* Colonial with Simulated Check Rail	Tall Fractional	Tall Fractional with Simulated Check Rail	Short Fractional	Short Fractional with Simulated Check Rail
Casement											
Awning											

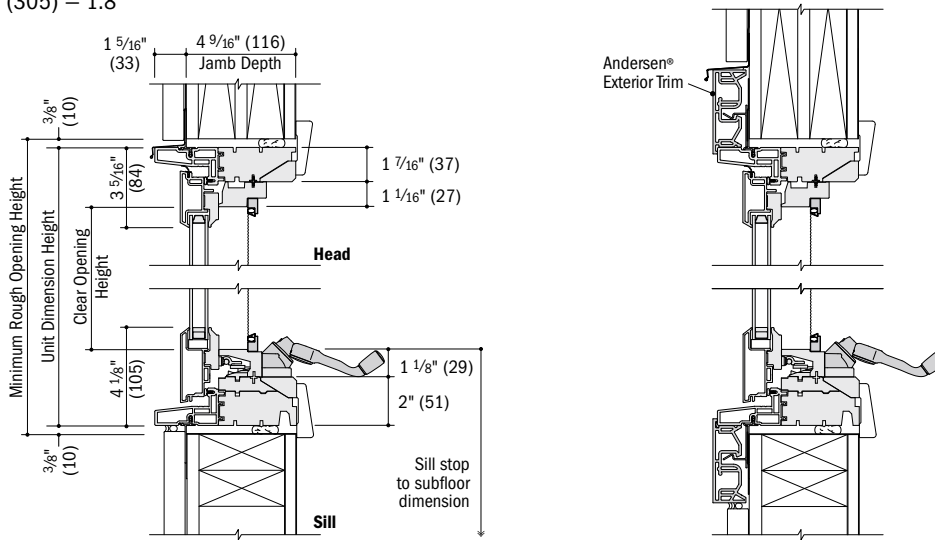
*Location from top of window to bottom of divided light pattern is available at 8" (203)- 10" (254), 12" (305), center and at custom dimensions.



Number of lights and overall pattern varies with window size. Patterns shown may not be available for all sizes. Specified equal light and custom patterns are also available. For more information on divided light, see pages 12-13 or visit andersenwindows.com/grilles.

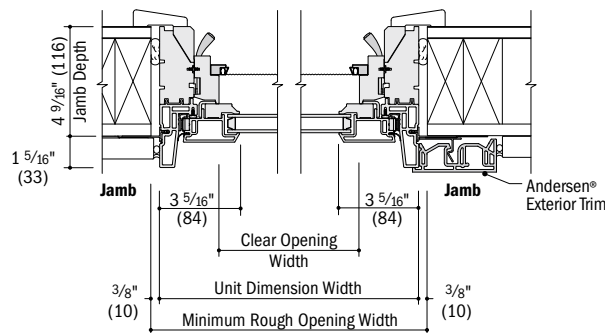
Awning Window Details

Scale 1 1/2" (38) = 1'-0" (305) – 1:8



Vertical Section

Vertical Section



Horizontal Section

See pages 64-66 for horizontal and vertical joining details.

- 4 9/16" (116) jamb depth measurement is from backside of installation flange.
- Light-colored areas are parts included with window. Dark-colored areas are additional Andersen® parts required to complete window assembly as shown.
- Dimensions in parentheses are in millimeters.
- Rough openings may need to be increased to allow for use of building wraps, flashing, sill panning, brackets, fasteners or other items. See installation information on pages 236-237.
- Details are for illustration only and are not intended to represent product installation methods or materials. Refer to product installation guides at andersenwindows.com.

DOUBLE-HUNG WINDOWS

Table of Double-Hung Window Sizes

Scale 1/8" (3) = 1'-0" (305) – 1:96

Notes on the next page also apply to this page.

Unit Dimension	1'-7 1/4"	1'-11 1/4"	2'-3 1/4"	2'-5 1/4"	2'-7 1/4"	2'-9 1/4"	2'-11 1/4"	3'-1 1/4"	3'-3 1/4"	3'-7 1/4"	3'-11 1/4"
	(489)	(591)	(692)	(743)	(794)	(845)	(895)	(946)	(997)	(1099)	(1200)
Minimum Rough Opening	1'-8"	2'-0"	2'-4"	2'-6"	2'-8"	2'-10"	3'-0"	3'-2"	3'-4"	3'-8"	4'-0"
	(508)	(610)	(711)	(762)	(813)	(864)	(914)	(965)	(1016)	(1118)	(1219)
Unobstructed Glass (lower sash only)	12 5/8"	16 5/8"	20 5/8"	22 5/8"	24 5/8"	26 5/8"	28 5/8"	30 5/8"	32 5/8"	36 5/8"	40 5/8"
	(321)	(422)	(524)	(575)	(625)	(676)	(727)	(778)	(829)	(930)	(1032)

2:3 cottage or 3:2 reverse cottage sash ratio available for all standard widths and heights up to 6'-7 1/4" (2013).
CUSTOM WIDTHS – 15 1/4" to 47 1/4"
CUSTOM HEIGHTS – 31 1/4" to 80 1/4"

CUSTOM WIDTHS – 15 1/4" to 47 1/4"																
CUSTOM HEIGHTS – 27 1/4" to 95 1/4"	CUSTOM WIDTHS – 15 1/4" to 47 1/4"										Cottage Reverse Cottage					
	15 1/4"	17 1/4"	19 1/4"	21 1/4"	23 1/4"	25 1/4"	27 1/4"	29 1/4"	31 1/4"	33 1/4"	35 1/4"	37 1/4"	39 1/4"	41 1/4"	43 1/4"	45 1/4"
2'-11 1/4" (895)	ADH1830	ADH2030	ADH2430	ADH2630	ADH2830	ADH21030	ADH3030	ADH3230	ADH3430	ADH3830*	ADH4030*					
3'-3 1/4" (997)	ADH1834	ADH2034	ADH2434	ADH2634	ADH2834	ADH21034	ADH3034	ADH3234	ADH3434	ADH3834*	ADH4034*					
3'-7 1/4" (1099)	ADH1838	ADH2038	ADH2438	ADH2638	ADH2838	ADH21038	ADH3038	ADH3238	ADH3438	ADH3838*	ADH4038*					
3'-11 1/4" (1200)	ADH1840	ADH2040	ADH2440	ADH2640	ADH2840	ADH21040	ADH3040	ADH3240	ADH3440	ADH3840*	ADH4040*					
4'-3 1/4" (1302)	ADH1844	ADH2044	ADH2444	ADH2644	ADH2844	ADH21044	ADH3044	ADH3244	ADH3444	ADH3844*	ADH4044*					
4'-7 1/4" (1403)	ADH1848	ADH2048	ADH2448	ADH2648	ADH2848	ADH21048	ADH3048	ADH3248	ADH3448	ADH3848*	ADH4048*					
4'-11 1/4" (1505)	ADH1850	ADH2050	ADH2450	ADH2650	ADH2850	ADH21050	ADH3050	ADH3250 ^o	ADH3450 ^o	ADH3850 ^{o*}	ADH4050 ^{o*}					
5'-3 1/4" (1607)	ADH1854	ADH2054	ADH2454	ADH2654	ADH2854	ADH21054	ADH3054 ^o	ADH3254 ^o	ADH3454 ^o	ADH3854 ^{o*}	ADH4054 ^{o*}					
5'-7 1/4" (1708)	ADH1858	ADH2058	ADH2458	ADH2658	ADH2858	ADH21058 ^o	ADH3058 ^o	ADH3258 ^o	ADH3458 ^o	ADH3858 ^{o*}	ADH4058 ^{o*}					
5'-11 1/4" (1810)	ADH1860	ADH2060	ADH2460	ADH2660	ADH2860 ^o	ADH21060 ^o	ADH3060 ^o	ADH3260 ^o	ADH3460 ^o	ADH3860 ^{o*}	ADH4060 ^{o*}					
6'-3 1/4" (1911)	ADH1864	ADH2064	ADH2464	ADH2664 ^o	ADH2864 ^o	ADH21064 ^o	ADH3064 ^o	ADH3264 ^o	ADH3464 ^o	ADH3864 ^{o*}	ADH4064 ^{o*}					

continued on next page

Table of Double-Hung Window Sizes (continued)

Scale 1/8" (3) = 1'-0" (305) – 1:96

Unit Dimension	1'-7 1/4" (489)	1'-11 1/4" (591)	2'-3 1/4" (692)	2'-5 1/4" (743)	2'-7 1/4" (794)	2'-9 1/4" (845)	2'-11 1/4" (895)	3'-1 1/4" (946)	3'-3 1/4" (997)	3'-7 1/4" (1099)	3'-11 1/4" (1200)
Minimum Rough Opening	1'-8" (508)	2'-0" (610)	2'-4" (711)	2'-6" (762)	2'-8" (813)	2'-10" (864)	3'-0" (914)	3'-2" (965)	3'-4" (1016)	3'-8" (1118)	4'-0" (1219)
Unobstructed Glass (lower sash only)	12 5/8" (321)	16 5/8" (422)	20 5/8" (524)	22 5/8" (575)	24 5/8" (625)	26 5/8" (676)	28 5/8" (727)	30 5/8" (778)	32 5/8" (829)	36 5/8" (930)	40 5/8" (1031)

2:3 cottage or 3:2 reverse cottage sash ratio available for all standard widths and heights up to 6'-7 1/4" (2013).
CUSTOM WIDTHS – 15 1/4" to 47 1/4"
CUSTOM HEIGHTS – 31 3/4" to 80 1/8"

CUSTOM WIDTHS – 15 1/4" to 47 1/4"

CUSTOM HEIGHTS – 27 1/4" to 95 1/4"

6'-7 1/4" (2013)
6'-8" (2032)
34 13/16" (884)

7'-3 1/4" (2216)
7'-4" (2235)
38 13/16" (986)

7'-11 1/4" (2419)
8'-0" (2438)
42 13/16" (1087)

ADH1868 ADH2068 ADH2468 ADH2668⁰ ADH2868⁰ ADH21068⁰ ADH3068⁰ ADH3268⁰ ADH3468⁰ ADH3868^{0**} ADH4068^{0**}

ADH1874 ADH2074 ADH2474⁰ ADH2674⁰ ADH2874⁰ ADH21074⁰ ADH3074⁰ ADH3274⁰ ADH3474^{0*} ADH3874^{0**} ADH4074^{0**}

ADH1880 ADH2080 ADH2480⁰ ADH2680⁰ ADH2880⁰ ADH21080⁰ ADH3080^{0*} ADH3280^{0*} ADH3480^{0*} ADH3880^{0**} ADH4080^{0**}

Cottage Reverse Cottage

A-Series
Double-Hung Windows



Custom-size windows are available in 1/8" (3) increments. See pages 68 for custom sizes and specifications including windows with cottage and reverse cottage sash.

For windows with dual-pane glass, two locks are standard on windows wider than 3'-3 1/4" (997). For windows with triple-pane glass or Andersen® art glass, two locks are standard on sizes wider than 1'-7 1/8" (486) (all sizes shown).

- "Window Dimension" always refers to outside frame to frame dimension.
- "Minimum Rough Opening" dimensions may need to be increased to allow for use of building wraps, flashing, sill panning, brackets, fasteners or other items. See pages 236-237 for more details.
- Dimensions in parentheses are in millimeters.
- Two locks are standard for windows with triple-pane glass or Andersen® art glass on sizes wider than 1'-7 1/8" (486) (all sizes shown).
- Meet or exceed clear opening area of 5.7 sq.ft. or 0.53 m², clear opening width of 20" (508) and clear opening height of 24" (610). See tables on pages 44-46.
- Limited sash travel for windows with triple-pane glass or art glass. Sizes 3880 and 4080 are not available with art glass.
- Two locks are standard for windows with dual-pane glass on sizes wider than 3'-3 1/4" (997).

DOUBLE-HUNG WINDOWS

Double-Hung Window Opening and Area Specifications

Window Number	Clear Opening Area Sq. Ft./ (m ²)	Clear Opening in Full Open Position		Glass Area Sq. Ft./ (m ²)	Vent Area Sq. Ft./ (m ²)	Top of Subfloor to Top of Inside Sill Stop Inches/(mm)	Overall Window Area Sq. Ft./ (m ²)
		Width Inches/(mm)	Height Inches/(mm)				
ADH1830	1.37 (0.13)	15 3/16" (386)	13" (330)	2.24 (0.21)	1.46 (0.14)	48 7/8" (1242)	4.71 (0.44)
ADH1834	1.58 (0.15)	15 3/16" (386)	15" (380)	2.59 (0.24)	1.67 (0.16)	44 7/8" (1140)	5.25 (0.49)
ADH1838	1.79 (0.17)	15 3/16" (386)	17" (431)	2.94 (0.27)	1.88 (0.17)	40 7/8" (1039)	5.78 (0.54)
ADH1840	2.00 (0.19)	15 3/16" (386)	19" (482)	3.29 (0.31)	2.09 (0.19)	36 7/8" (937)	6.32 (0.59)
ADH1844	2.21 (0.21)	15 3/16" (386)	21" (533)	3.64 (0.34)	2.30 (0.21)	32 7/8" (836)	6.85 (0.64)
ADH1848	2.42 (0.23)	15 3/16" (386)	23" (584)	3.99 (0.37)	2.51 (0.23)	28 7/8" (734)	7.39 (0.69)
ADH1850	2.64 (0.24)	15 3/16" (386)	25" (634)	4.34 (0.40)	2.72 (0.25)	24 7/8" (632)	7.92 (0.74)
ADH1854	2.85 (0.26)	15 3/16" (386)	27" (685)	4.69 (0.44)	2.94 (0.27)	20 7/8" (531)	8.46 (0.79)
ADH1858	3.06 (0.28)	15 3/16" (386)	29" (736)	5.04 (0.47)	3.15 (0.29)	16 7/8" (429)	8.99 (0.84)
ADH1860	3.27 (0.30)	15 3/16" (386)	31" (787)	5.39 (0.50)	3.36 (0.31)	12 7/8" (328)	9.52 (0.88)
ADH1864	3.48 (0.32)	15 3/16" (386)	33" (838)	5.74 (0.53)	3.56 (0.33)	8 7/8" (226)	10.06 (0.93)
ADH1868	3.69 (0.34)	15 3/16" (386)	35" (889)	6.09 (0.57)	3.78 (0.35)	* *	10.59 (0.98)
ADH1874	4.11 (0.38)	15 3/16" (386)	39" (991)	6.79 (0.63)	4.20 (0.39)	* *	11.66 (1.08)
ADH1880	4.53 (0.42)	15 3/16" (386)	43" (1092)	7.49 (0.70)	4.62 (0.43)	* *	12.73 (1.18)
ADH2030	1.73 (0.16)	19 3/16" (488)	13" (330)	2.95 (0.27)	1.84 (0.17)	48 7/8" (1242)	5.69 (0.53)
ADH2034	2.00 (0.19)	19 3/16" (488)	15" (380)	3.41 (0.32)	2.11 (0.20)	44 7/8" (1140)	6.34 (0.59)
ADH2038	2.26 (0.21)	19 3/16" (488)	17" (431)	3.87 (0.36)	2.38 (0.22)	40 7/8" (1039)	6.98 (0.65)
ADH2040	2.53 (0.24)	19 3/16" (488)	19" (482)	4.33 (0.40)	2.64 (0.25)	36 7/8" (937)	7.63 (0.71)
ADH2044	2.80 (0.26)	19 3/16" (488)	21" (533)	4.80 (0.45)	2.91 (0.27)	32 7/8" (836)	8.27 (0.77)
ADH2048	3.06 (0.28)	19 3/16" (488)	23" (584)	5.26 (0.49)	3.18 (0.29)	28 7/8" (734)	8.92 (0.83)
ADH2050	3.33 (0.31)	19 3/16" (488)	25" (634)	5.72 (0.53)	3.44 (0.32)	24 7/8" (632)	9.57 (0.89)
ADH2054	3.60 (0.33)	19 3/16" (488)	27" (685)	6.18 (0.57)	3.71 (0.34)	20 7/8" (531)	10.21 (0.95)
ADH2058	3.86 (0.36)	19 3/16" (488)	29" (736)	6.64 (0.62)	3.98 (0.37)	16 7/8" (429)	10.86 (1.01)
ADH2060	4.13 (0.38)	19 3/16" (488)	31" (787)	7.10 (0.66)	4.24 (0.39)	12 7/8" (328)	11.50 (1.07)
ADH2064	4.40 (0.41)	19 3/16" (488)	33" (838)	7.56 (0.70)	4.50 (0.42)	8 7/8" (226)	12.15 (1.13)
ADH2068	4.66 (0.43)	19 3/16" (488)	35" (889)	8.02 (0.75)	4.77 (0.44)	* *	12.80 (1.19)
ADH2074	5.20 (0.48)	19 3/16" (488)	39" (991)	8.95 (0.83)	5.30 (0.49)	* *	14.09 (1.31)
ADH2080	5.73 (0.53)	19 3/16" (488)	43" (1092)	9.87 (0.92)	5.84 (0.54)	* *	15.38 (1.43)
ADH2430	2.09 (0.19)	23 3/16" (589)	13" (330)	3.66 (0.34)	2.23 (0.21)	48 7/8" (1242)	6.67 (0.62)
ADH2434	2.41 (0.22)	23 3/16" (589)	15" (380)	4.24 (0.39)	2.55 (0.24)	44 7/8" (1140)	7.43 (0.69)
ADH2438	2.73 (0.25)	23 3/16" (589)	17" (431)	4.81 (0.45)	2.87 (0.27)	40 7/8" (1039)	8.18 (0.76)
ADH2440	3.06 (0.28)	23 3/16" (589)	19" (482)	5.38 (0.50)	3.19 (0.30)	36 7/8" (937)	8.94 (0.83)
ADH2444	3.38 (0.31)	23 3/16" (589)	21" (533)	5.95 (0.55)	3.51 (0.33)	32 7/8" (836)	9.70 (0.90)
ADH2448	3.70 (0.34)	23 3/16" (589)	23" (584)	6.52 (0.61)	3.84 (0.36)	28 7/8" (734)	10.46 (0.97)
ADH2450	4.02 (0.37)	23 3/16" (589)	25" (634)	7.10 (0.66)	4.16 (0.39)	24 7/8" (632)	11.21 (1.04)
ADH2454	4.35 (0.40)	23 3/16" (589)	27" (685)	7.67 (0.71)	4.48 (0.42)	20 7/8" (531)	11.97 (1.11)
ADH2458	4.67 (0.43)	23 3/16" (589)	29" (736)	8.24 (0.77)	4.80 (0.45)	16 7/8" (429)	12.73 (1.18)
ADH2460	4.99 (0.46)	23 3/16" (589)	31" (787)	8.81 (0.82)	5.13 (0.48)	12 7/8" (328)	13.48 (1.25)
ADH2464	5.31 (0.49)	23 3/16" (589)	33" (838)	9.39 (0.87)	5.44 (0.51)	8 7/8" (226)	14.24 (1.32)
ADH2468	5.63 (0.52)	23 3/16" (589)	35" (889)	9.96 (0.93)	5.76 (0.54)	* *	15.00 (1.39)
ADH2474 ◊	6.28 (0.58)	23 3/16" (589)	39" (991)	11.10 (1.03)	6.41 (0.60)	* *	16.51 (1.53)
ADH2480 ◊	6.92 (0.64)	23 3/16" (589)	43" (1092)	12.25 (1.14)	7.05 (0.66)	* *	18.02 (1.67)
ADH2630	2.27 (0.21)	25 3/16" (640)	13" (330)	4.02 (0.37)	2.42 (0.22)	48 7/8" (1242)	7.16 (0.67)
ADH2634	2.62 (0.24)	25 3/16" (640)	15" (380)	4.65 (0.43)	2.77 (0.26)	44 7/8" (1140)	7.97 (0.74)
ADH2638	2.97 (0.28)	25 3/16" (640)	17" (431)	5.27 (0.49)	3.12 (0.29)	40 7/8" (1039)	8.79 (0.82)
ADH2640	3.32 (0.31)	25 3/16" (640)	19" (482)	5.90 (0.55)	3.47 (0.32)	36 7/8" (937)	9.60 (0.89)
ADH2644	3.67 (0.34)	25 3/16" (640)	21" (533)	6.53 (0.61)	3.82 (0.35)	32 7/8" (836)	10.41 (0.97)
ADH2648	4.02 (0.37)	25 3/16" (640)	23" (584)	7.16 (0.66)	4.17 (0.39)	28 7/8" (734)	11.22 (1.04)
ADH2650	4.37 (0.41)	25 3/16" (640)	25" (634)	7.79 (0.72)	4.52 (0.42)	24 7/8" (632)	12.04 (1.12)
ADH2654	4.72 (0.44)	25 3/16" (640)	27" (685)	8.41 (0.78)	4.87 (0.45)	20 7/8" (531)	12.85 (1.19)
ADH2658	5.07 (0.47)	25 3/16" (640)	29" (736)	9.04 (0.84)	5.22 (0.48)	16 7/8" (429)	13.66 (1.27)
ADH2660	5.42 (0.50)	25 3/16" (640)	31" (787)	9.67 (0.90)	5.57 (0.52)	12 7/8" (328)	14.47 (1.34)
ADH2664 ◊	5.77 (0.54)	25 3/16" (640)	33" (838)	10.30 (0.96)	5.91 (0.55)	8 7/8" (226)	15.29 (1.42)
ADH2668 ◊	6.12 (0.57)	25 3/16" (640)	35" (889)	10.92 (1.01)	6.26 (0.58)	* *	16.10 (1.50)
ADH2674 ◊	6.82 (0.63)	25 3/16" (640)	39" (991)	12.18 (1.13)	6.96 (0.65)	* *	17.72 (1.65)
ADH2680 ◊	7.52 (0.70)	25 3/16" (640)	43" (1092)	13.44 (1.25)	7.66 (0.71)	* *	19.35 (1.80)
ADH2830	2.45 (0.23)	27 3/16" (691)	13" (330)	4.37 (0.41)	2.61 (0.24)	48 7/8" (1242)	7.65 (0.71)
ADH2834	2.83 (0.26)	27 3/16" (691)	15" (380)	5.06 (0.47)	2.99 (0.28)	44 7/8" (1140)	8.52 (0.79)

For cottage and reverse cottage sash opening specifications, visit andersenwindows.com/openingspecs.

• "Top of Subfloor to Top of Inside Sill Stop" is calculated based upon a structural header height of 6'-10 1/2" (2096).
 ◊ Meet or exceed clear opening area of 5.7 sq.ft. or 0.53 m², clear opening width of 20" (508) and clear opening height of 24" (610).
 *Dimension varies depending on header height.

continued on next page

Double-Hung Window Opening and Area Specifications *(continued)*

Window Number	Clear Opening Area Sq. Ft./ (m ²)		Clear Opening in Full Open Position		Glass Area Sq. Ft./ (m ²)	Vent Area Sq. Ft./ (m ²)	Top of Subfloor to Top of Inside Sill Stop Inches/(mm)	Overall Window Area Sq. Ft./ (m ²)
			Width Inches/(mm)	Height Inches/(mm)				
ADH2838	3.21	(0.30)	27 3/16" (691)	17" (431)	5.74 (0.53)	3.37 (0.31)	40 7/8" (1039)	9.39 (0.87)
ADH2840	3.58	(0.33)	27 3/16" (691)	19" (482)	6.42 (0.60)	3.74 (0.35)	36 7/8" (937)	10.25 (0.95)
ADH2844	3.96	(0.37)	27 3/16" (691)	21" (533)	7.11 (0.66)	4.12 (0.38)	32 7/8" (836)	11.12 (1.03)
ADH2848	4.34	(0.40)	27 3/16" (691)	23" (584)	7.79 (0.72)	4.50 (0.42)	28 7/8" (734)	11.99 (1.11)
ADH2850	4.72	(0.44)	27 3/16" (691)	25" (634)	8.47 (0.79)	4.88 (0.45)	24 7/8" (632)	12.86 (1.19)
ADH2854	5.10	(0.47)	27 3/16" (691)	27" (685)	9.16 (0.85)	5.25 (0.49)	20 7/8" (531)	13.73 (1.28)
ADH2858	5.47	(0.51)	27 3/16" (691)	29" (736)	9.84 (0.91)	5.63 (0.52)	16 7/8" (429)	14.59 (1.36)
ADH2860 ◊	5.85	(0.54)	27 3/16" (691)	31" (787)	10.52 (0.98)	6.01 (0.56)	12 7/8" (328)	15.46 (1.44)
ADH2864 ◊	6.23	(0.58)	27 3/16" (691)	33" (838)	11.21 (1.04)	6.38 (0.59)	8 7/8" (226)	16.33 (1.52)
ADH2868 ◊	6.61	(0.61)	27 3/16" (691)	35" (889)	11.89 (1.10)	6.76 (0.63)	* *	17.20 (1.60)
ADH2874 ◊	7.36	(0.68)	27 3/16" (691)	39" (991)	13.26 (1.23)	7.51 (0.70)	* *	18.93 (1.76)
ADH2880 ◊	8.12	(0.75)	27 3/16" (691)	43" (1092)	14.62 (1.36)	8.27 (0.77)	* *	20.67 (1.92)
ADH21030	2.63	(0.24)	29 3/16" (742)	13" (330)	4.73 (0.44)	2.80 (0.26)	48 7/8" (1242)	8.14 (0.76)
ADH21034	3.04	(0.28)	29 3/16" (742)	15" (380)	5.47 (0.51)	3.21 (0.30)	44 7/8" (1140)	9.06 (0.84)
ADH21038	3.44	(0.32)	29 3/16" (742)	17" (431)	6.21 (0.58)	3.61 (0.34)	40 7/8" (1039)	9.99 (0.93)
ADH21040	3.85	(0.36)	29 3/16" (742)	19" (482)	6.95 (0.65)	4.02 (0.37)	36 7/8" (937)	10.91 (1.01)
ADH21044	4.25	(0.40)	29 3/16" (742)	21" (533)	7.69 (0.71)	4.42 (0.41)	32 7/8" (836)	11.83 (1.10)
ADH21048	4.66	(0.43)	29 3/16" (742)	23" (584)	8.42 (0.78)	4.83 (0.45)	28 7/8" (734)	12.76 (1.19)
ADH21050	5.06	(0.47)	29 3/16" (742)	25" (634)	9.16 (0.85)	5.24 (0.49)	24 7/8" (632)	13.68 (1.27)
ADH21054	5.47	(0.51)	29 3/16" (742)	27" (685)	9.90 (0.92)	5.64 (0.52)	20 7/8" (531)	14.60 (1.36)
ADH21058 ◊	5.88	(0.55)	29 3/16" (742)	29" (736)	10.64 (0.99)	6.05 (0.56)	16 7/8" (429)	15.53 (1.44)
ADH21060 ◊	6.28	(0.58)	29 3/16" (742)	31" (787)	11.38 (1.06)	6.45 (0.60)	12 7/8" (328)	16.45 (1.53)
ADH21064 ◊	6.69	(0.62)	29 3/16" (742)	33" (838)	12.12 (1.13)	6.85 (0.64)	8 7/8" (226)	17.38 (1.61)
ADH21068 ◊	7.09	(0.66)	29 3/16" (742)	35" (889)	12.86 (1.19)	7.25 (0.67)	* *	18.30 (1.70)
ADH21074 ◊	7.90	(0.73)	29 3/16" (742)	39" (991)	14.34 (1.33)	8.07 (0.75)	* *	20.15 (1.87)
ADH21080 ◊	8.71	(0.81)	29 3/16" (742)	43" (1092)	15.81 (1.47)	8.88 (0.82)	* *	21.99 (2.04)
ADH3030	2.81	(0.26)	31 3/16" (792)	13" (330)	5.09 (0.47)	2.99 (0.28)	48 7/8" (1242)	8.63 (0.80)
ADH3034	3.25	(0.30)	31 3/16" (792)	15" (380)	5.88 (0.55)	3.43 (0.32)	44 7/8" (1140)	9.61 (0.89)
ADH3038	3.68	(0.34)	31 3/16" (792)	17" (431)	6.67 (0.62)	3.86 (0.36)	40 7/8" (1039)	10.59 (0.98)
ADH3040	4.11	(0.38)	31 3/16" (792)	19" (482)	7.47 (0.69)	4.29 (0.40)	36 7/8" (937)	11.57 (1.07)
ADH3044	4.54	(0.42)	31 3/16" (792)	21" (533)	8.26 (0.77)	4.73 (0.44)	32 7/8" (836)	12.55 (1.17)
ADH3048	4.98	(0.46)	31 3/16" (792)	23" (584)	9.06 (0.84)	5.16 (0.48)	28 7/8" (734)	13.52 (1.26)
ADH3050	5.41	(0.50)	31 3/16" (792)	25" (634)	9.85 (0.92)	5.59 (0.52)	24 7/8" (632)	14.50 (1.35)
ADH3054 ◊	5.84	(0.54)	31 3/16" (792)	27" (685)	10.65 (0.99)	6.03 (0.56)	20 7/8" (531)	15.48 (1.44)
ADH3058 ◊	6.28	(0.58)	31 3/16" (792)	29" (736)	11.44 (1.06)	6.46 (0.60)	16 7/8" (429)	16.46 (1.53)
ADH3060 ◊	6.71	(0.62)	31 3/16" (792)	31" (787)	12.24 (1.14)	6.89 (0.64)	12 7/8" (328)	17.44 (1.62)
ADH3064 ◊	7.14	(0.66)	31 3/16" (792)	33" (838)	13.03 (1.21)	7.32 (0.68)	8 7/8" (226)	18.42 (1.71)
ADH3068 ◊	7.58	(0.70)	31 3/16" (792)	35" (889)	13.82 (1.28)	7.75 (0.72)	* *	19.40 (1.80)
ADH3074 ◊	8.44	(0.78)	31 3/16" (792)	39" (991)	15.41 (1.43)	8.62 (0.80)	* *	21.36 (1.98)
ADH3080 ◊	9.31	(0.86)	31 3/16" (792)	43" (1092)	17.00 (1.58)	9.48 (0.88)	* *	23.32 (2.17)
ADH3230	2.99	(0.28)	33 3/16" (843)	13" (330)	5.44 (0.51)	3.19 (0.30)	48 7/8" (1242)	9.12 (0.85)
ADH3234	3.45	(0.32)	33 3/16" (843)	15" (380)	6.29 (0.58)	3.65 (0.34)	44 7/8" (1140)	10.15 (0.94)
ADH3238	3.91	(0.36)	33 3/16" (843)	17" (431)	7.14 (0.66)	4.11 (0.38)	40 7/8" (1039)	11.19 (1.04)
ADH3240	4.38	(0.41)	33 3/16" (843)	19" (482)	7.99 (0.74)	4.57 (0.42)	36 7/8" (937)	12.22 (1.14)
ADH3244	4.84	(0.45)	33 3/16" (843)	21" (533)	8.84 (0.82)	5.03 (0.47)	32 7/8" (836)	13.26 (1.23)
ADH3248	5.30	(0.49)	33 3/16" (843)	23" (584)	9.69 (0.90)	5.49 (0.51)	28 7/8" (734)	14.29 (1.33)
ADH3250 ◊	5.76	(0.53)	33 3/16" (843)	25" (634)	10.54 (0.98)	5.95 (0.55)	24 7/8" (632)	15.33 (1.42)
ADH3254 ◊	6.22	(0.58)	33 3/16" (843)	27" (685)	11.39 (1.06)	6.41 (0.60)	20 7/8" (531)	16.36 (1.52)
ADH3258 ◊	6.68	(0.62)	33 3/16" (843)	29" (736)	12.24 (1.14)	6.87 (0.64)	16 7/8" (429)	17.40 (1.62)
ADH3260 ◊	7.14	(0.66)	33 3/16" (843)	31" (787)	13.09 (1.22)	7.34 (0.68)	12 7/8" (328)	18.43 (1.71)
ADH3264 ◊	7.60	(0.71)	33 3/16" (843)	33" (838)	13.94 (1.30)	7.79 (0.72)	8 7/8" (226)	19.47 (1.81)
ADH3268 ◊	8.06	(0.75)	33 3/16" (843)	35" (889)	14.79 (1.37)	8.25 (0.77)	* *	20.50 (1.90)
ADH3274 ◊	8.99	(0.83)	33 3/16" (843)	39" (991)	16.49 (1.53)	9.17 (0.85)	* *	22.57 (2.10)
ADH3280 ◊	9.91	(0.92)	33 3/16" (843)	43" (1092)	18.19 (1.69)	10.09 (0.94)	* *	24.64 (2.29)
ADH3430	3.17	(0.29)	35 3/16" (894)	13" (330)	5.80 (0.54)	3.38 (0.31)	48 7/8" (1242)	9.61 (0.89)
ADH3434	3.66	(0.34)	35 3/16" (894)	15" (380)	6.70 (0.62)	3.87 (0.36)	44 7/8" (1140)	10.70 (0.99)
ADH3438	4.15	(0.39)	35 3/16" (894)	17" (431)	7.61 (0.71)	4.36 (0.40)	40 7/8" (1039)	11.79 (1.10)
ADH3440	4.64	(0.43)	35 3/16" (894)	19" (482)	8.51 (0.79)	4.84 (0.45)	36 7/8" (937)	12.88 (1.20)

For cottage and reverse cottage sash opening specifications, visit andersenwindows.com/openingspecs.

• "Top of Subfloor to Top of Inside Sill Stop" is calculated based upon a structural header height of 6'-10 1/2" (2096).
 • Dimensions in parentheses are in millimeters or square meters.
 ◊ Meet or exceed clear opening area of 5.7 sq.ft. or 0.53 m², clear opening width of 20" (508) and clear opening height of 24" (610).
 * Dimension varies depending on header height.

continued on next page

DOUBLE-HUNG WINDOWS

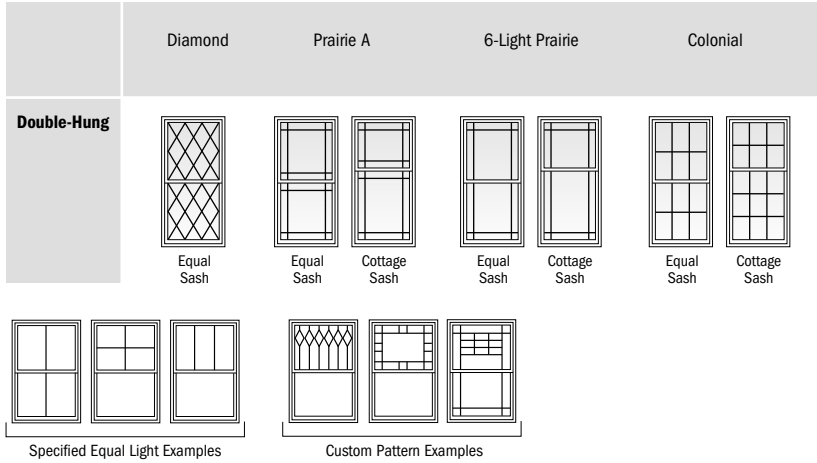
Double-Hung Window Opening and Area Specifications (continued)

Window Number	Clear Opening Area Sq. Ft./ (m ²)	Clear Opening in Full Open Position		Glass Area Sq. Ft./ (m ²)	Vent Area Sq. Ft./ (m ²)	Top of Subfloor to Top of Inside Sill Stop Inches/ (mm)	Overall Window Area Sq. Ft./ (m ²)
		Width Inches/ (mm)	Height Inches/ (mm)				
ADH3444	5.13 (0.48)	35 3/16" (894)	21" (533)	9.42 (0.87)	5.33 (0.50)	32 7/8" (836)	13.97 (1.30)
ADH3448	5.62 (0.52)	35 3/16" (894)	23" (584)	10.32 (0.96)	5.82 (0.54)	28 7/8" (734)	15.06 (1.40)
ADH3450 ◊	6.11 (0.57)	35 3/16" (894)	25" (634)	11.23 (1.04)	6.31 (0.59)	24 7/8" (632)	16.15 (1.50)
ADH3454 ◊	6.59 (0.61)	35 3/16" (894)	27" (685)	12.14 (1.13)	6.80 (0.63)	20 7/8" (531)	17.24 (1.60)
ADH3458 ◊	7.08 (0.66)	35 3/16" (894)	29" (736)	13.04 (1.21)	7.29 (0.68)	16 7/8" (429)	18.33 (1.70)
ADH3460 ◊	7.57 (0.70)	35 3/16" (894)	31" (787)	13.95 (1.30)	7.78 (0.72)	12 7/8" (328)	19.42 (1.80)
ADH3464 ◊	8.06 (0.75)	35 3/16" (894)	33" (838)	14.85 (1.38)	8.26 (0.77)	8 7/8" (226)	20.51 (1.91)
ADH3468 ◊	8.55 (0.79)	35 3/16" (894)	35" (889)	15.76 (1.46)	8.74 (0.81)	* *	21.60 (2.01)
ADH3474 ◊	9.53 (0.89)	35 3/16" (894)	39" (991)	17.57 (1.63)	9.72 (0.90)	* *	23.78 (2.21)
ADH3480 ◊	10.50 (0.98)	35 3/16" (894)	43" (1092)	19.38 (1.80)	10.70 (0.99)	* *	25.96 (2.41)
ADH3830	3.53 (0.33)	39 3/16" (996)	13" (330)	6.51 (0.60)	3.76 (0.35)	48 7/8" (1242)	10.59 (0.98)
ADH3834	4.08 (0.38)	39 3/16" (996)	15" (380)	7.52 (0.70)	4.31 (0.40)	44 7/8" (1140)	11.79 (1.10)
ADH3838	4.62 (0.43)	39 3/16" (996)	17" (431)	8.54 (0.79)	4.85 (0.45)	40 7/8" (1039)	12.99 (1.21)
ADH3840	5.17 (0.48)	39 3/16" (996)	19" (482)	9.56 (0.89)	5.40 (0.50)	36 7/8" (937)	14.19 (1.32)
ADH3844	5.71 (0.53)	39 3/16" (996)	21" (533)	10.57 (0.98)	5.94 (0.55)	32 7/8" (836)	15.39 (1.43)
ADH3848	6.25 (0.58)	39 3/16" (996)	23" (584)	11.59 (1.08)	6.48 (0.60)	28 7/8" (734)	16.59 (1.54)
ADH3850 ◊	6.80 (0.63)	39 3/16" (996)	25" (634)	12.61 (1.17)	7.03 (0.65)	24 7/8" (632)	17.80 (1.65)
ADH3854 ◊	7.34 (0.68)	39 3/16" (996)	27" (685)	13.62 (1.27)	7.57 (0.70)	20 7/8" (531)	19.00 (1.76)
ADH3858 ◊	7.89 (0.73)	39 3/16" (996)	29" (736)	14.64 (1.36)	8.12 (0.75)	16 7/8" (429)	20.20 (1.88)
ADH3860 ◊	8.43 (0.78)	39 3/16" (996)	31" (787)	15.66 (1.45)	8.66 (0.80)	12 7/8" (328)	21.40 (1.99)
ADH3864 ◊	8.98 (0.83)	39 3/16" (996)	33" (838)	16.67 (1.55)	9.19 (0.85)	8 7/8" (226)	22.60 (2.10)
ADH3868 ◊	9.52 (0.88)	39 3/16" (996)	35" (889)	17.69 (1.64)	9.74 (0.90)	* *	23.80 (2.21)
ADH3874 ◊	10.61 (0.99)	39 3/16" (996)	39" (991)	19.72 (1.83)	10.83 (1.01)	* *	26.21 (2.43)
ADH3880 ◊	11.70 (1.09)	39 3/16" (996)	43" (1092)	21.76 (2.02)	11.92 (1.11)	* *	28.61 (2.66)
ADH4030	3.89 (0.36)	43 3/16" (1097)	13" (330)	7.22 (0.67)	4.15 (0.39)	48 7/8" (1242)	11.57 (1.07)
ADH4034	4.49 (0.42)	43 3/16" (1097)	15" (380)	8.35 (0.78)	4.75 (0.44)	44 7/8" (1140)	12.88 (1.20)
ADH4038	5.09 (0.47)	43 3/16" (1097)	17" (431)	9.47 (0.88)	5.35 (0.50)	40 7/8" (1039)	14.19 (1.32)
ADH4040	5.69 (0.53)	43 3/16" (1097)	19" (482)	10.60 (0.98)	5.95 (0.55)	36 7/8" (937)	15.50 (1.44)
ADH4044	6.29 (0.58)	43 3/16" (1097)	21" (533)	11.73 (1.09)	6.55 (0.61)	32 7/8" (836)	16.82 (1.56)
ADH4048	6.89 (0.64)	43 3/16" (1097)	23" (584)	12.86 (1.19)	7.15 (0.66)	28 7/8" (734)	18.13 (1.68)
ADH4050 ◊	7.49 (0.70)	43 3/16" (1097)	25" (634)	13.99 (1.30)	7.75 (0.72)	24 7/8" (632)	19.44 (1.81)
ADH4054 ◊	8.09 (0.75)	43 3/16" (1097)	27" (685)	15.11 (1.40)	8.35 (0.78)	20 7/8" (531)	20.75 (1.93)
ADH4058 ◊	8.69 (0.81)	43 3/16" (1097)	29" (736)	16.24 (1.51)	8.95 (0.83)	16 7/8" (429)	22.07 (2.05)
ADH4060 ◊	9.29 (0.86)	43 3/16" (1097)	31" (787)	17.37 (1.61)	9.55 (0.89)	12 7/8" (328)	23.38 (2.17)
ADH4064 ◊	9.89 (0.92)	43 3/16" (1097)	33" (838)	18.50 (1.72)	10.13 (0.94)	8 7/8" (226)	24.96 (2.29)
ADH4068 ◊	10.49 (0.97)	43 3/16" (1097)	35" (889)	19.62 (1.82)	10.73 (1.00)	* *	26.00 (2.42)
ADH4074 ◊	11.69 (1.09)	43 3/16" (1097)	39" (991)	21.88 (2.03)	11.93 (1.11)	* *	28.63 (2.66)
ADH4080 ◊	12.89 (1.20)	43 3/16" (1097)	43" (1092)	24.14 (2.24)	13.13 (1.22)	* *	31.25 (2.90)

For cottage and reverse cottage sash opening specifications, visit andersenwindows.com/openingspecs.

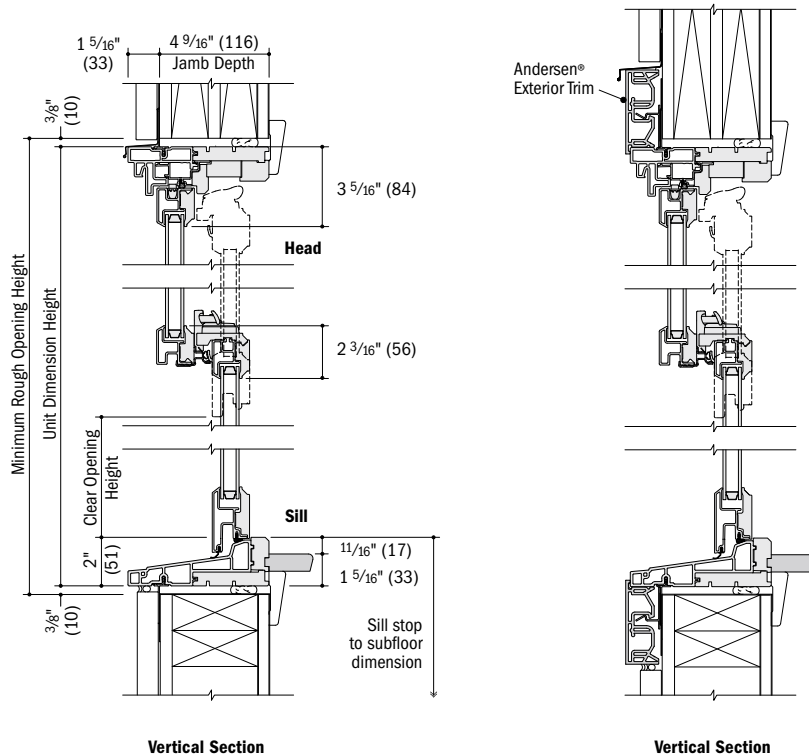
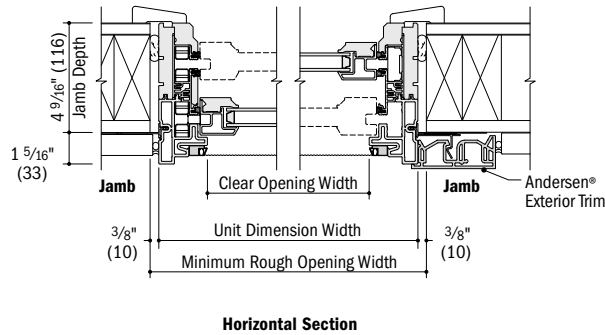
- * "Top of Subfloor to Top of Inside Sill Stop" is calculated based upon a structural header height of 6'-10 1/2" (2096).
- Dimensions in parentheses are in millimeters or square meters.
- ◊ Meet or exceed clear opening area of 5.7 sq.ft. or 0.53 m², clear opening width of 20" (508) and clear opening height of 24" (610).
- * Dimension varies depending on header height.

Grille Patterns



Double-hung window patterns are also available in Upper Sash Only (USO) configurations. For picture window patterns that require alignment with double-hung patterns, identify the double-hung sash style (equal, cottage, reverse cottage) when ordering. **Number of lights and overall pattern varies with window size. Patterns shown may not be available for all sizes.** Specified equal light and custom patterns are also available. Some restrictions apply. For more information on divided light, see pages 12-13 or visit andersenwindows.com/grilles.

Double-Hung Window Details
Scale 1 1/2" (38) = 1'-0" (305) – 1:8



See pages 64-66 for horizontal and vertical joining details.

- 4 9/16" (116) jamb depth measurement is from back side of installation flange.
- Light-colored areas are parts included with window. Dark-colored areas are additional Andersen® parts required to complete window assembly as shown.
- Dimensions in parentheses are in millimeters.
- **Rough openings may need to be increased to allow for use of building wraps, flashing, sill panning, brackets, fasteners or other items. See installation information on pages 236-237.**
- Details are for illustration only and are not intended to represent product installation methods or materials. Refer to product installation guides at andersenwindows.com.

PICTURE WINDOWS

Table of Picture Window Sizes

Scale 1/8" (3) = 1'-0" (305) – 1:96

Notes on the next page also apply to this page.

Window Dimension	1'-3 1/4"	1'-7 1/4"	1'-11 1/4"	2'-3 1/4"	2'-5 1/4"	2'-7 1/4"	2'-9 1/4"	2'-11 1/4"	3'-1 1/4"	3'-3 1/4"	3'-7 1/4"	3'-11 1/4"
	(387)	(489)	(591)	(692)	(743)	(794)	(845)	(895)	(946)	(997)	(1099)	(1200)
Minimum Rough Opening	1'-4"	1'-8"	2'-0"	2'-4"	2'-6"	2'-8"	2'-10"	3'-0"	3'-2"	3'-4"	3'-8"	4'-0"
	(406)	(508)	(610)	(711)	(762)	(813)	(864)	(914)	(965)	(1016)	(1118)	(1219)
Unobstructed Glass	8 5/8"	12 5/8"	16 5/8"	20 5/8"	22 5/8"	24 5/8"	26 5/8"	28 5/8"	30 5/8"	32 5/8"	36 5/8"	40 5/8"
	(219)	(321)	(422)	(524)	(575)	(625)	(676)	(727)	(778)	(829)	(930)	(1032)

CUSTOM WIDTHS – 15 1/4" to 95 1/4"

Window Dimension	CUSTOM HEIGHTS – 21 1/4" to 95 1/4"											
	APW1420	APW1820	APW2020	APW2420	APW2620	APW2820	APW21020	APW3020	APW3220	APW3420	APW3820	APW4020
1'-11 1/4"	(591)	(610)	(604)	(604)	(604)	(604)	(604)	(604)	(604)	(604)	(604)	(604)
2'-3 1/4"	(692)	(711)	(704)	(704)	(704)	(704)	(704)	(704)	(704)	(704)	(704)	(704)
2'-7 1/4"	(794)	(813)	(804)	(804)	(804)	(804)	(804)	(804)	(804)	(804)	(804)	(804)
2'-11 1/4"	(895)	(914)	(904)	(904)	(904)	(904)	(904)	(904)	(904)	(904)	(904)	(904)
3'-3 1/4"	(997)	(1016)	(1004)	(1004)	(1004)	(1004)	(1004)	(1004)	(1004)	(1004)	(1004)	(1004)
3'-7 1/4"	(1099)	(1118)	(1104)	(1104)	(1104)	(1104)	(1104)	(1104)	(1104)	(1104)	(1104)	(1104)
3'-11 1/4"	(1200)	(1219)	(1204)	(1204)	(1204)	(1204)	(1204)	(1204)	(1204)	(1204)	(1204)	(1204)
4'-3 1/4"	(1302)	(1321)	(1304)	(1304)	(1304)	(1304)	(1304)	(1304)	(1304)	(1304)	(1304)	(1304)
4'-7 1/4"	(1403)	(1422)	(1404)	(1404)	(1404)	(1404)	(1404)	(1404)	(1404)	(1404)	(1404)	(1404)
4'-11 1/4"	(1505)	(1524)	(1504)	(1504)	(1504)	(1504)	(1504)	(1504)	(1504)	(1504)	(1504)	(1504)
5'-3 1/4"	(1607)	(1626)	(1604)	(1604)	(1604)	(1604)	(1604)	(1604)	(1604)	(1604)	(1604)	(1604)
5'-7 1/4"	(1708)	(1727)	(1704)	(1704)	(1704)	(1704)	(1704)	(1704)	(1704)	(1704)	(1704)	(1704)
5'-11 1/4"	(1810)	(1829)	(1804)	(1804)	(1804)	(1804)	(1804)	(1804)	(1804)	(1804)	(1804)	(1804)
	APW1460	APW1860	APW2060	APW2460	APW2660	APW2860	APW21060	APW3060	APW3260	APW3460	APW3860	APW4060

Picture sizes on pages 48-52.

4'-3 1/4" (1302)	4'-7 1/4" (1403)	4'-11 1/4" (1505)	5'-3 1/4" (1607)	5'-7 1/4" (1708)	5'-11 1/4" (1810)	6'-3 1/4" (1911)
4'-4" (1321)	4'-8" (1422)	5'-0" (1524)	5'-4" (1626)	5'-8" (1727)	6'-0" (1829)	6'-4" (1930)
44 5/8" (1133)	48 5/8" (1335)	52 5/8" (1337)	56 5/8" (1438)	60 5/8" (1540)	64 5/8" (1641)	68 5/8" (1743)

 APW4420	 APW4820	 APW5020	 APW5420	 APW5820	 APW6020	 APW6420
 APW4424	 APW4824	 APW5024	 APW5424	 APW5824	 APW6024	 APW6424
 APW4428	 APW4828	 APW5028	 APW5428	 APW5828	 APW6028	 APW6428
 APW4430	 APW4830	 APW5030	 APW5430	 APW5830	 APW6030	 APW6430
 APW4434	 APW4834	 APW5034	 APW5434	 APW5834	 APW6034	 APW6434
 APW4438	 APW4838	 APW5038	 APW5438	 APW5838	 APW6038	 APW6438
 APW4440	 APW4840	 APW5040	 APW5440	 APW5840	 APW6040	 APW6440
 APW4444	 APW4844	 APW5044	 APW5444	 APW5844	 APW6044	 APW6444
 APW4448	 APW4848	 APW5048	 APW5448	 APW5848	 APW6048	 APW6448
 APW4450	 APW4850	 APW5050	 APW5450	 APW5850	 APW6050	 APW6450
 APW4454	 APW4854	 APW5054	 APW5454	 APW5854	 APW6054	 APW6454
 APW4458	 APW4858	 APW5058	 APW5458	 APW5858	 APW6058	 APW6458
 APW4460	 APW4860	 APW5060	 APW5460	 APW5860	 APW6060	 APW6460



Custom-size windows are available in 1/8" (3) increments. See page 69 for custom sizes and specifications.

Picture window must be installed as shown and should not be rotated. Tall bottom rail is designed to align with bottom rail of double-hung and casement windows.

Details shown on page 55.
Grille patterns shown on page 50.

- "Window Dimension" always refers to outside frame to frame dimension.
- "Minimum Rough Opening" dimensions may need to be increased to allow for use of building wraps, flashing, sill panning, brackets, fasteners or other items. See pages 236-237 for more details.
- Dimensions in parentheses are in millimeters.

continued on next page

PICTURE WINDOWS

Table of Picture Window Sizes (continued)

Notes on the next page also apply to this page.

Scale 1/8" (3) = 1'-0" (305) – 1:96

Window Dimension	1'-3 1/4" (387)	1'-7 1/4" (489)	1'-11 1/4" (591)	2'-3 1/4" (692)	2'-5 1/4" (743)	2'-7 1/4" (794)	2'-9 1/4" (845)	2'-11 1/4" (895)	3'-1 1/4" (946)	3'-3 1/4" (997)	3'-7 1/4" (1099)	3'-11 1/4" (1200)
Minimum Rough Opening	1'-4" (406)	1'-8" (508)	2'-0" (610)	2'-4" (711)	2'-6" (762)	2'-8" (813)	2'-10" (864)	3'-0" (914)	3'-2" (965)	3'-4" (1016)	3'-8" (1118)	4'-0" (1219)
Unobstructed Glass	8 5/8" (219)	12 5/8" (321)	16 5/8" (422)	20 5/8" (524)	22 5/8" (575)	24 5/8" (625)	26 5/8" (676)	28 5/8" (727)	30 5/8" (778)	32 5/8" (829)	36 5/8" (930)	40 5/8" (1032)

CUSTOM WIDTHS – 15 1/4" to 95 1/4"

CUSTOM HEIGHTS – 21 1/4" to 95 1/4"

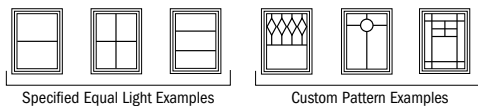
6'-3 1/4" (1911)	6'-4" (1930)	6'-7 1/4" (2013)	6'-8" (2032)	7'-3 1/4" (2216)	7'-4" (2235)	7'-11 1/4" (2419)	8'-0" (2438)	APW1464	APW1864	APW2064	APW2464	APW2664	APW2864	APW21064	APW3064	APW3264	APW3464	APW3864	APW4064
6'-7 1/4" (2013)	6'-8" (2032)	7'-3 1/4" (2216)	7'-4" (2235)	7'-11 1/4" (2419)	8'-0" (2438)	APW1468	APW1868	APW2068	APW2468	APW2668	APW2868	APW21068	APW3068	APW3268	APW3468	APW3868	APW4068		
7'-3 1/4" (2216)	7'-4" (2235)	7'-11 1/4" (2419)	8'-0" (2438)	APW1474	APW1874	APW2074	APW2474	APW2674	APW2874	APW21074	APW3074	APW3274	APW3474	APW3874	APW4074				
7'-11 1/4" (2419)	8'-0" (2438)	APW1480	APW1880	APW2080	APW2480	APW2680	APW2880	APW21080	APW3080	APW3280	APW3480	APW3880	APW4080						

- "Window Dimension" always refers to outside frame to frame dimension.
- "Minimum Rough Opening" dimensions may need to be increased to allow for use of building wraps, flashing, sill panning, brackets, fasteners or other items. See pages 236-237 for more details.
- Dimensions in parentheses are in millimeters.

Grille Patterns

	Queen Anne	Diamond	Prairie A	Specified Equal Light with Simulated Check Rail	Colonial	Modified* Colonial	Modified* Colonial with Simulated Check Rail	Tall Fractional	Tall Fractional with Simulated Check Rail	Short Fractional	Short Fractional with Simulated Check Rail
Picture											

*Location from top of window to bottom of divided light pattern is available at 8" (203), 10" (254), 12" (305), center and custom dimensions.

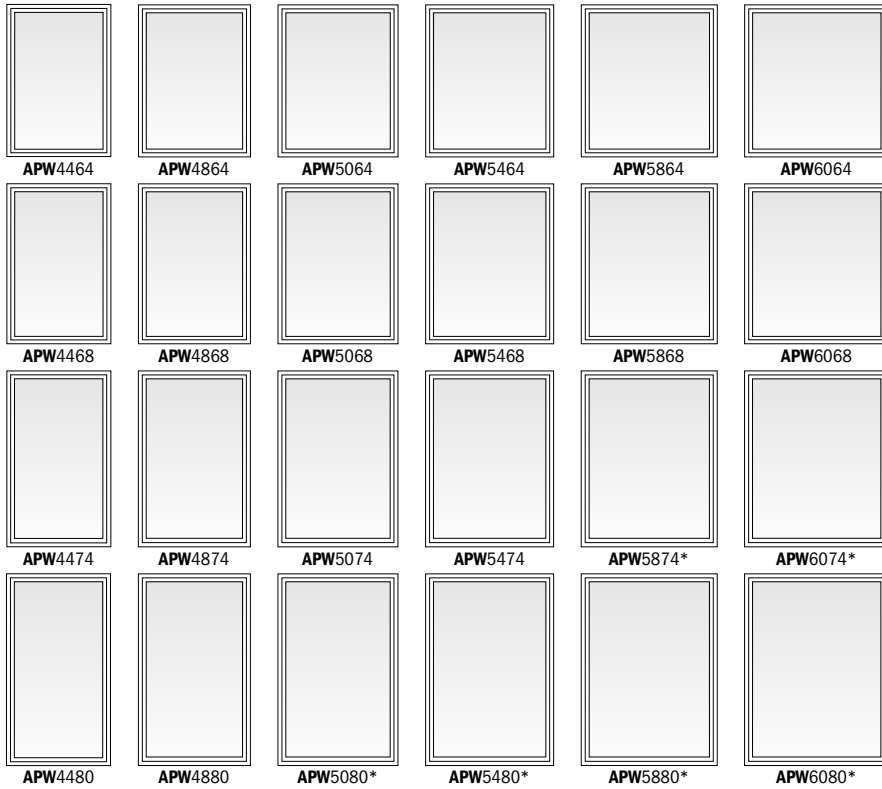


For picture window patterns that require alignment with double-hung patterns, identify the double-hung sash style (equal, cottage, reverse cottage) when ordering. **Number of lights and overall pattern varies with window size. Patterns shown may not be available for all sizes.**

Specified equal light and custom patterns are also available. For more information on divided light, see pages 12-13 or visit andersenwindows.com/grilles.

Picture sizes on pages 48-52.

4'-3 1/4" (1302)	4'-7 1/4" (1403)	4'-11 1/4" (1505)	5'-3 1/4" (1607)	5'-7 1/4" (1708)	5'-11 1/4" (1810)
4'-4" (1321)	4'-8" (1422)	5'-0" (1524)	5'-4" (1626)	5'-8" (1727)	6'-0" (1829)
44 5/8" (1133)	48 5/8" (1335)	52 5/8" (1337)	56 5/8" (1438)	60 5/8" (1540)	64 5/8" (1641)



continued on next page



Custom-size windows are available in 1/8" (3) increments. See page 69 for custom sizes and specifications.

Picture window must be installed as shown and should not be rotated.

Tall bottom rail is designed to align with bottom rail of double-hung and casement windows.

Details shown on page 55.

Grille patterns shown on page 50.

- "Window Dimension" always refers to outside frame to frame dimension.
- "Minimum Rough Opening" dimensions may need to be increased to allow for use of building wraps, flashing, sill panning, brackets, fasteners or other items. See pages 236-237 for more details.
- Dimensions in parentheses are in millimeters.
- *Tempered glass required. Some visual distortion may occur.

PICTURE WINDOWS

Table of Picture Window Sizes (continued)

Picture sizes on pages 48-52.

Scale 1/8" (3) = 1'-0" (305) – 1:96

Window Dimension	6'-7 1/4" (2013)	6'-11 1/4" (2115)	7'-3 1/4" (2216)	7'-7 1/4" (2318)	7'-11 1/4" (2419)
Minimum Rough Opening	6'-8" (2032)	7'-0" (2133)	7'-4" (2235)	7'-8" (2336)	8'-0" (2438)
Unobstructed Glass	72 5/8" (1845)	76 5/8" (1946)	80 5/8" (2048)	84 5/8" (2149)	88 5/8" (2251)

CUSTOM WIDTHS – 15 1/4" to 95 1/4"					
1'-11 1/4" (591)	2'-3 1/4" (692)	2'-7 1/4" (794)	2'-11 1/4" (895)	3'-3 1/4" (997)	3'-7 1/4" (1099)
2'-3 1/4" (692)	2'-4" (711)	2'-8" (813)	3'-0" (914)	3'-4" (1016)	3'-8" (1118)
2'-7 1/4" (794)	2'-8" (813)	2'-11 1/4" (895)	3'-0" (914)	3'-4" (1016)	3'-8" (1118)
2'-11 1/4" (895)	3'-0" (914)	3'-4" (1016)	3'-8" (1118)	4'-0" (1219)	4'-4" (1321)
3'-3 1/4" (997)	3'-4" (1016)	3'-8" (1118)	4'-0" (1219)	4'-4" (1321)	4'-8" (1422)
3'-7 1/4" (1099)	3'-8" (1118)	4'-0" (1219)	4'-4" (1321)	4'-8" (1422)	5'-0" (1524)
3'-11 1/4" (1200)	4'-0" (1219)	4'-4" (1321)	4'-8" (1422)	5'-0" (1524)	5'-4" (1626)
4'-3 1/4" (1302)	4'-4" (1321)	4'-8" (1422)	5'-0" (1524)	5'-4" (1626)	5'-8" (1727)
4'-7 1/4" (1403)	4'-8" (1422)	5'-0" (1524)	5'-4" (1626)	5'-8" (1727)	6'-0" (1829)
4'-11 1/4" (1505)	5'-0" (1524)	5'-4" (1626)	5'-8" (1727)	6'-0" (1829)	6'-4" (1931)
5'-3 1/4" (1607)	5'-4" (1626)	5'-8" (1727)	6'-0" (1829)	6'-4" (1931)	6'-8" (2033)
5'-7 1/4" (1708)	5'-8" (1727)	6'-0" (1829)	6'-4" (1931)	6'-8" (2033)	7'-0" (2133)
5'-11 1/4" (1810)	6'-0" (1829)	6'-4" (1931)	6'-8" (2033)	7'-0" (2133)	7'-4" (2235)

CUSTOM HEIGHTS – 21 1/4" to 95 1/4"

APW6820	APW7020	APW7420	APW7820	APW8020
APW6824	APW7024	APW7424	APW7824	APW8024
APW6828	APW7028	APW7428	APW7828	APW8028
APW6830	APW7030	APW7430	APW7830	APW8030
APW6834	APW7034	APW7434	APW7834	APW8034
APW6838	APW7038	APW7438	APW7838	APW8038
APW6840	APW7040	APW7440	APW7840	APW8040
APW6844	APW7044	APW7444	APW7844	APW8044
APW6848	APW7048	APW7448	APW7848	APW8048
APW6850	APW7050	APW7450	APW7850	APW8050*
APW6854	APW7054	APW7454	APW7854*	APW8054*
APW6858	APW7058	APW7458*	APW7858*	APW8058*
APW6860	APW7060*	APW7460*	APW7860*	APW8060*



Custom-size windows are available in 1/8" (3) increments. See page 69 for custom sizes and specifications.

Picture window must be installed as shown and should not be rotated.

Tall bottom rail is designed to align with bottom rail of double-hung and casement windows.

Details shown on page 55. Grille patterns shown on page 50.

- "Window Dimension" always refers to outside frame to frame dimension.
- "Minimum Rough Opening" dimensions may need to be increased to allow for use of building wraps, flashing, sill panning, brackets, fasteners or other items. See pages 236-237 for more details.
- Dimensions in parentheses are in millimeters.
- *Tempered glass required. Some visual distortion may occur.

Picture Window Area Specifications

Window Number	Glass Area Sq. Ft./ (m ²)	Overall Window Area Sq. Ft./ (m ²)
APW1420	0.94 (0.09)	2.46 (0.23)
APW1424	1.18 (0.11)	2.89 (0.27)
APW1428	1.42 (0.13)	3.31 (0.31)
APW1430	1.66 (0.15)	3.73 (0.35)
APW1434	1.90 (0.18)	4.16 (0.39)
APW1438	2.14 (0.20)	4.58 (0.43)
APW1440	2.38 (0.22)	5.00 (0.46)
APW1444	2.62 (0.24)	5.43 (0.50)
APW1448	2.85 (0.26)	5.85 (0.54)
APW1450	3.09 (0.29)	6.27 (0.58)
APW1454	3.33 (0.31)	6.70 (0.62)
APW1458	3.57 (0.33)	7.12 (0.66)
APW1460	3.81 (0.35)	7.55 (0.70)
APW1464	4.05 (0.38)	7.97 (0.74)
APW1468	4.29 (0.40)	8.39 (0.78)
APW1474	4.77 (0.44)	9.24 (0.86)
APW1480	5.24 (0.49)	10.09 (0.94)
APW1820	1.38 (0.13)	3.11 (0.29)
APW1824	1.73 (0.16)	3.64 (0.34)
APW1828	2.08 (0.19)	4.18 (0.39)
APW1830	2.43 (0.23)	4.71 (0.44)
APW1834	2.78 (0.26)	5.25 (0.49)
APW1838	3.13 (0.29)	5.78 (0.54)
APW1840	3.48 (0.32)	6.32 (0.59)
APW1844	3.83 (0.36)	6.85 (0.64)
APW1848	4.18 (0.39)	7.39 (0.69)
APW1850	4.53 (0.42)	7.92 (0.74)
APW1854	4.88 (0.45)	8.46 (0.79)
APW1858	5.23 (0.49)	8.99 (0.84)
APW1860	5.58 (0.52)	9.52 (0.88)
APW1864	5.93 (0.55)	10.06 (0.93)
APW1868	6.28 (0.58)	10.59 (0.98)
APW1874	6.98 (0.65)	11.66 (1.08)
APW1880	7.68 (0.71)	12.73 (1.18)
APW2020	1.82 (0.17)	3.75 (0.35)
APW2024	2.28 (0.21)	4.40 (0.41)
APW2028	2.74 (0.25)	5.05 (0.47)
APW2030	3.20 (0.30)	5.69 (0.53)
APW2034	3.67 (0.34)	6.34 (0.59)
APW2038	4.13 (0.38)	6.98 (0.65)
APW2040	4.59 (0.43)	7.63 (0.71)
APW2044	5.05 (0.47)	8.27 (0.77)
APW2048	5.51 (0.51)	8.92 (0.83)
APW2050	5.97 (0.55)	9.57 (0.89)
APW2054	6.43 (0.60)	10.21 (0.95)
APW2058	6.89 (0.64)	10.86 (1.01)
APW2060	7.35 (0.68)	11.50 (1.07)
APW2064	7.82 (0.73)	12.15 (1.13)
APW2068	8.28 (0.77)	12.80 (1.19)
APW2074	9.20 (0.85)	14.09 (1.31)
APW2080	10.12 (0.94)	15.38 (1.43)
APW2420	2.26 (0.21)	4.40 (0.41)
APW2424	2.83 (0.26)	5.16 (0.48)
APW2428	3.40 (0.32)	5.91 (0.55)
APW2430	3.98 (0.37)	6.67 (0.62)
APW2434	4.55 (0.42)	7.43 (0.69)
APW2438	5.12 (0.48)	8.18 (0.76)
APW2440	5.69 (0.53)	8.94 (0.83)
APW2444	6.27 (0.58)	9.70 (0.90)
APW2448	6.84 (0.64)	10.46 (0.97)
APW2450	7.41 (0.69)	11.21 (1.04)

Window Number	Glass Area Sq. Ft./ (m ²)	Overall Window Area Sq. Ft./ (m ²)
APW2454	7.98 (0.74)	11.97 (1.11)
APW2458	8.55 (0.79)	12.73 (1.18)
APW2460	9.13 (0.85)	13.48 (1.25)
APW2464	9.70 (0.90)	14.24 (1.32)
APW2468	10.27 (0.95)	15.00 (1.39)
APW2474	11.42 (1.06)	16.51 (1.53)
APW2480	12.56 (1.17)	18.02 (1.67)
APW2620	2.48 (0.23)	4.72 (0.44)
APW2624	3.11 (0.29)	5.54 (0.51)
APW2628	3.74 (0.35)	6.35 (0.59)
APW2630	4.36 (0.41)	7.16 (0.67)
APW2634	4.99 (0.46)	7.97 (0.74)
APW2638	5.62 (0.52)	8.79 (0.82)
APW2640	6.25 (0.58)	9.60 (0.89)
APW2644	6.87 (0.64)	10.41 (0.97)
APW2648	7.50 (0.70)	11.22 (1.04)
APW2650	8.13 (0.76)	12.04 (1.12)
APW2654	8.76 (0.81)	12.85 (1.19)
APW2658	9.39 (0.87)	13.66 (1.27)
APW2660	10.01 (0.93)	14.47 (1.34)
APW2664	10.64 (0.99)	15.29 (1.42)
APW2668	11.27 (1.05)	16.10 (1.50)
APW2674	12.52 (1.16)	17.72 (1.65)
APW2680	13.78 (1.28)	19.35 (1.80)
APW2820	2.70 (0.25)	5.05 (0.47)
APW2824	3.38 (0.31)	5.91 (0.55)
APW2828	4.07 (0.38)	6.78 (0.63)
APW2830	4.75 (0.44)	7.65 (0.71)
APW2834	5.43 (0.50)	8.52 (0.79)
APW2838	6.12 (0.57)	9.39 (0.87)
APW2840	6.80 (0.63)	10.25 (0.95)
APW2844	7.48 (0.69)	11.12 (1.03)
APW2848	8.17 (0.76)	11.99 (1.11)
APW2850	8.85 (0.82)	12.86 (1.19)
APW2854	9.53 (0.89)	13.73 (1.28)
APW2858	10.22 (0.95)	14.59 (1.36)
APW2860	10.90 (1.01)	15.46 (1.44)
APW2864	11.58 (1.08)	16.33 (1.52)
APW2868	12.27 (1.14)	17.20 (1.60)
APW2874	13.63 (1.27)	18.93 (1.76)
APW2880	15.00 (1.39)	20.67 (1.92)
APW21020	2.92 (0.27)	5.37 (0.50)
APW21024	3.66 (0.34)	6.29 (0.58)
APW21024	3.66 (0.34)	6.29 (0.58)
APW21028	4.40 (0.41)	7.22 (0.67)
APW21030	5.14 (0.48)	8.14 (0.76)
APW21034	5.87 (0.55)	9.06 (0.84)
APW21038	6.61 (0.61)	9.99 (0.93)
APW21040	7.35 (0.68)	10.91 (1.01)
APW21044	8.09 (0.75)	11.83 (1.10)
APW21048	8.83 (0.82)	12.76 (1.19)
APW21050	9.57 (0.89)	13.68 (1.27)
APW21054	10.31 (0.96)	14.60 (1.36)
APW21058	11.05 (1.03)	15.53 (1.44)
APW21060	11.79 (1.10)	16.45 (1.53)
APW21064	12.52 (1.16)	17.38 (1.61)
APW21068	13.26 (1.23)	18.30 (1.70)
APW21074	14.74 (1.37)	20.15 (1.87)
APW21080	16.22 (1.51)	21.99 (2.04)
APW3020	3.14 (0.29)	5.69 (0.53)
APW3024	3.93 (0.37)	6.67 (0.62)

Window Number	Glass Area Sq. Ft./ (m ²)	Overall Window Area Sq. Ft./ (m ²)
APW3028	4.73 (0.44)	7.65 (0.71)
APW3030	5.52 (0.51)	8.63 (0.80)
APW3034	6.32 (0.59)	9.61 (0.89)
APW3038	7.11 (0.66)	10.59 (0.98)
APW3040	7.90 (0.73)	11.57 (1.07)
APW3044	8.70 (0.81)	12.55 (1.17)
APW3044	8.70 (0.81)	12.55 (1.17)
APW3048	9.49 (0.88)	13.52 (1.26)
APW3050	10.29 (0.96)	14.50 (1.35)
APW3054	11.08 (1.03)	15.48 (1.44)
APW3058	11.88 (1.10)	16.46 (1.53)
APW3060	12.67 (1.18)	17.44 (1.62)
APW3064	13.47 (1.25)	18.42 (1.71)
APW3068	14.26 (1.32)	19.40 (1.80)
APW3074	15.85 (1.47)	21.36 (1.98)
APW3080	17.44 (1.62)	23.32 (2.17)
APW3220	3.36 (0.31)	6.01 (0.56)
APW3224	4.21 (0.39)	7.05 (0.65)
APW3228	5.06 (0.47)	8.08 (0.75)
APW3230	5.91 (0.55)	9.12 (0.85)
APW3234	6.76 (0.63)	10.15 (0.94)
APW3238	7.61 (0.71)	11.19 (1.04)
APW3240	8.46 (0.79)	12.22 (1.14)
APW3244	9.31 (0.86)	13.26 (1.23)
APW3248	10.16 (0.94)	14.29 (1.33)
APW3250	11.01 (1.02)	15.33 (1.42)
APW3254	11.86 (1.10)	16.36 (1.52)
APW3258	12.71 (1.18)	17.40 (1.62)
APW3260	13.56 (1.26)	18.43 (1.71)
APW3264	14.41 (1.34)	19.47 (1.81)
APW3268	15.26 (1.42)	20.50 (1.90)
APW3274	16.96 (1.58)	22.57 (2.10)
APW3280	18.66 (1.73)	24.64 (2.29)
APW3420	3.58 (0.33)	6.34 (0.59)
APW3424	4.48 (0.42)	7.43 (0.69)
APW3428	5.39 (0.50)	8.52 (0.79)
APW3430	6.29 (0.58)	9.61 (0.89)
APW3434	7.20 (0.67)	10.70 (0.99)
APW3438	8.10 (0.75)	11.79 (1.10)
APW3440	9.01 (0.84)	12.88 (1.20)
APW3444	9.92 (0.92)	13.97 (1.30)
APW3448	10.82 (1.01)	15.06 (1.40)
APW3450	11.73 (1.09)	16.15 (1.50)
APW3454	12.63 (1.17)	17.24 (1.60)
APW3458	13.54 (1.26)	18.33 (1.70)
APW3460	14.44 (1.34)	19.42 (1.80)
APW3464	15.35 (1.43)	20.51 (1.91)
APW3468	16.25 (1.51)	21.60 (2.01)
APW3474	18.07 (1.68)	23.78 (2.21)
APW3480	19.88 (1.85)	25.96 (2.41)
APW3820	4.02 (0.37)	6.98 (0.65)
APW3824	5.03 (0.47)	8.18 (0.76)
APW3828	6.05 (0.56)	9.39 (0.87)
APW3830	7.07 (0.66)	10.59 (0.98)
APW3834	8.08 (0.75)	11.79 (1.10)
APW3838	9.10 (0.85)	12.99 (1.21)
APW3840	10.12 (0.94)	14.19 (1.32)
APW3844	11.13 (1.03)	15.39 (1.43)
APW3848	12.15 (1.13)	16.59 (1.54)
APW3850	13.17 (1.22)	17.80 (1.65)

• Dimensions in parentheses are in square meters.

continued on next page

A-Series
Picture Windows

PICTURE WINDOWS

Picture Window Area Specifications *(continued)*

Window Number	Glass Area Sq. Ft./ <i>(m</i> ² <i>)</i>	Overall Window Area Sq. Ft./ <i>(m</i> ² <i>)</i>
APW3854	14.18 (1.32)	19.00 (1.77)
APW3858	15.20 (1.41)	20.20 (1.88)
APW3860	16.22 (1.51)	21.40 (1.99)
APW3864	17.23 (1.60)	22.60 (2.10)
APW3868	18.25 (1.70)	23.80 (2.21)
APW3874	20.28 (1.88)	26.21 (2.43)
APW3880	22.32 (2.07)	28.61 (2.66)
APW4020	4.45 (0.41)	7.63 (0.71)
APW4024	5.58 (0.52)	8.94 (0.83)
APW4028	6.71 (0.62)	10.25 (0.95)
APW4030	7.84 (0.73)	11.57 (1.07)
APW4034	8.97 (0.83)	12.88 (1.20)
APW4038	10.09 (0.94)	14.19 (1.32)
APW4040	11.22 (1.04)	15.50 (1.44)
APW4044	12.35 (1.15)	16.82 (1.56)
APW4048	13.48 (1.25)	18.13 (1.68)
APW4050	14.60 (1.36)	19.44 (1.81)
APW4054	15.73 (1.46)	20.75 (1.93)
APW4058	16.86 (1.57)	22.07 (2.05)
APW4060	17.99 (1.67)	23.38 (2.17)
APW4064	19.12 (1.78)	24.69 (2.29)
APW4068	20.24 (1.88)	26.00 (2.42)
APW4074	22.50 (2.09)	28.63 (2.66)
APW4080	24.75 (2.30)	31.25 (2.90)
APW4420	4.89 (0.45)	8.27 (0.77)
APW4424	6.13 (0.57)	9.70 (0.90)
APW4428	7.37 (0.68)	11.12 (1.03)
APW4430	8.61 (0.80)	12.55 (1.17)
APW4434	9.85 (0.92)	13.97 (1.30)
APW4438	11.09 (1.03)	15.39 (1.43)
APW4440	12.33 (1.15)	16.82 (1.56)
APW4444	13.57 (1.26)	18.24 (1.69)
APW4448	14.80 (1.37)	19.66 (1.83)
APW4450	16.04 (1.49)	21.09 (1.96)
APW4454	17.28 (1.61)	22.51 (2.09)
APW4458	18.52 (1.72)	23.93 (2.22)
APW4460	19.76 (1.84)	25.36 (2.36)
APW4464	21.00 (1.95)	26.78 (2.49)
APW4468	22.24 (2.07)	28.21 (2.62)
APW4474	24.72 (2.30)	31.05 (2.88)
APW4480	27.19 (2.53)	33.90 (3.15)
APW4820	5.33 (0.50)	8.92 (0.83)
APW4824	6.68 (0.62)	10.46 (0.97)
APW4828	8.03 (0.75)	11.99 (1.11)
APW4830	9.38 (0.87)	13.52 (1.26)
APW4834	10.73 (1.00)	15.06 (1.40)
APW4838	12.08 (1.12)	16.59 (1.54)
APW4840	13.43 (1.25)	18.13 (1.68)
APW4844	14.78 (1.37)	19.66 (1.83)
APW4848	16.13 (1.50)	21.20 (1.97)
APW4850	17.48 (1.62)	22.73 (2.11)
APW4854	18.83 (1.75)	24.27 (2.25)
APW4858	20.18 (1.87)	25.80 (2.40)
APW4860	21.53 (2.00)	27.34 (2.54)
APW4864	22.88 (2.13)	28.87 (2.68)
APW4868	24.23 (2.25)	30.41 (2.83)
APW4874	26.93 (2.50)	33.48 (3.11)
APW4880	29.63 (2.75)	36.55 (3.40)
APW5020	5.77 (0.54)	9.57 (0.89)
APW5024	7.23 (0.67)	11.21 (1.04)
APW5028	8.69 (0.81)	12.86 (1.19)

Window Number	Glass Area Sq. Ft./ <i>(m</i> ² <i>)</i>	Overall Window Area Sq. Ft./ <i>(m</i> ² <i>)</i>
APW5030	10.15 (0.94)	14.50 (1.35)
APW5034	11.62 (1.08)	16.15 (1.50)
APW5038	13.08 (1.22)	17.80 (1.65)
APW5040	14.54 (1.35)	19.44 (1.81)
APW5044	16.00 (1.49)	21.09 (1.96)
APW5048	17.46 (1.62)	22.73 (2.11)
APW5050	18.92 (1.76)	24.38 (2.26)
APW5054	20.38 (1.89)	26.02 (2.42)
APW5058	21.84 (2.03)	27.67 (2.57)
APW5060	23.30 (2.16)	29.32 (2.72)
APW5064	24.77 (2.30)	30.96 (2.88)
APW5068	26.23 (2.44)	32.61 (3.03)
APW5074	29.15 (2.71)	35.90 (3.34)
APW5080	32.07 (2.98)	39.19 (3.64)
APW5420	6.21 (0.58)	10.21 (0.95)
APW5424	7.78 (0.72)	11.97 (1.11)
APW5428	9.35 (0.87)	13.73 (1.28)
APW5430	10.93 (1.02)	15.48 (1.44)
APW5434	12.50 (1.16)	17.24 (1.60)
APW5438	14.07 (1.31)	19.00 (1.77)
APW5440	15.64 (1.45)	20.75 (1.93)
APW5444	17.22 (1.60)	22.51 (2.09)
APW5448	18.79 (1.75)	24.27 (2.25)
APW5450	20.36 (1.89)	26.02 (2.42)
APW5454	21.93 (2.04)	27.78 (2.58)
APW5458	23.50 (2.18)	29.54 (2.74)
APW5460	25.08 (2.33)	31.30 (2.91)
APW5464	26.65 (2.48)	33.05 (3.07)
APW5468	28.22 (2.62)	34.81 (3.23)
APW5474	31.37 (2.91)	38.32 (3.56)
APW5480	34.51 (3.21)	41.84 (3.89)
APW5820	6.65 (0.62)	10.86 (1.01)
APW5824	8.33 (0.77)	12.73 (1.18)
APW5828	10.02 (0.93)	14.59 (1.36)
APW5830	11.70 (1.09)	16.46 (1.53)
APW5834	13.38 (1.24)	18.33 (1.70)
APW5838	15.07 (1.40)	20.20 (1.88)
APW5840	16.75 (1.56)	22.07 (2.05)
APW5844	18.43 (1.71)	23.93 (2.22)
APW5848	20.12 (1.87)	25.80 (2.40)
APW5850	21.80 (2.03)	27.67 (2.57)
APW5854	23.48 (2.18)	29.54 (2.74)
APW5858	25.17 (2.34)	31.41 (2.92)
APW5860	26.85 (2.49)	33.27 (3.09)
APW5864	28.53 (2.65)	35.14 (3.26)
APW5868	30.22 (2.81)	37.01 (3.44)
APW5874	33.58 (3.12)	40.75 (3.79)
APW5880	36.95 (3.43)	44.48 (4.13)
APW6020	7.09 (0.66)	11.50 (1.07)
APW6024	8.88 (0.82)	13.48 (1.25)
APW6028	10.68 (0.99)	15.46 (1.44)
APW6030	12.47 (1.16)	17.44 (1.62)
APW6034	14.27 (1.33)	19.42 (1.80)
APW6038	16.06 (1.49)	21.40 (1.99)
APW6040	17.85 (1.66)	23.38 (2.17)
APW6044	19.65 (1.83)	25.36 (2.36)
APW6048	21.44 (1.99)	27.34 (2.54)
APW6050	23.24 (2.16)	29.32 (2.72)
APW6054	25.03 (2.33)	31.30 (2.91)
APW6058	26.83 (2.49)	33.27 (3.09)
APW6060	28.62 (2.66)	35.25 (3.27)

Window Number	Glass Area Sq. Ft./ <i>(m</i> ² <i>)</i>	Overall Window Area Sq. Ft./ <i>(m</i> ² <i>)</i>
APW6064	30.42 (2.83)	37.23 (3.46)
APW6068	32.21 (2.99)	39.21 (3.64)
APW6074	35.80 (3.33)	43.17 (4.01)
APW6080	39.39 (3.66)	47.13 (4.38)
APW6420	7.53 (0.70)	12.15 (1.13)
APW6424	9.43 (0.88)	14.24 (1.32)
APW6428	11.34 (1.05)	16.33 (1.52)
APW6430	13.24 (1.23)	18.42 (1.71)
APW6434	15.15 (1.41)	20.51 (1.91)
APW6438	17.05 (1.58)	22.60 (2.10)
APW6440	18.96 (1.76)	24.69 (2.29)
APW6444	20.87 (1.94)	26.78 (2.49)
APW6448	22.77 (2.12)	28.87 (2.68)
APW6450	24.68 (2.29)	30.96 (2.88)
APW6454	26.58 (2.47)	33.05 (3.07)
APW6458	28.49 (2.65)	35.14 (3.26)
APW6460	30.39 (2.82)	37.23 (3.46)
APW6820	7.97 (0.74)	12.80 (1.19)
APW6824	9.98 (0.98)	15.00 (1.39)
APW6828	12.00 (1.11)	17.20 (1.60)
APW6830	14.02 (1.30)	19.40 (1.80)
APW6834	16.03 (1.49)	21.60 (2.01)
APW6838	18.05 (1.68)	23.80 (2.21)
APW6840	20.07 (1.86)	26.00 (2.42)
APW6844	22.08 (2.05)	28.20 (2.62)
APW6848	24.10 (2.24)	30.40 (2.82)
APW6850	26.12 (2.43)	32.61 (3.03)
APW6854	28.13 (2.61)	34.81 (3.23)
APW6858	30.15 (2.80)	37.01 (3.44)
APW6860	32.17 (2.99)	39.21 (3.64)
APW7020	8.40 (0.78)	13.44 (1.25)
APW7024	10.53 (0.98)	15.75 (1.46)
APW7028	12.66 (1.18)	18.07 (1.68)
APW7030	14.79 (1.37)	20.38 (1.89)
APW7034	16.92 (1.57)	22.69 (2.11)
APW7038	19.04 (1.77)	25.00 (2.32)
APW7040	21.17 (1.97)	27.32 (2.54)
APW7044	23.30 (2.16)	29.63 (2.75)
APW7048	25.43 (2.36)	31.94 (2.97)
APW7050	27.55 (2.56)	34.25 (3.18)
APW7054	29.68 (2.76)	36.57 (3.40)
APW7058	31.81 (2.96)	38.88 (3.61)
APW7060	33.94 (3.15)	41.19 (3.83)
APW7420	8.84 (0.82)	14.09 (1.31)
APW7424	11.08 (1.03)	16.51 (1.53)
APW7428	13.32 (1.24)	18.93 (1.76)
APW7430	15.56 (1.45)	21.36 (1.98)
APW7434	17.80 (1.65)	23.78 (2.21)
APW7438	20.04 (1.86)	26.21 (2.43)
APW7440	22.28 (2.07)	28.63 (2.66)
APW7444	24.52 (2.28)	31.05 (2.88)
APW7448	26.75 (2.49)	33.48 (3.11)
APW7450	29.00 (2.69)	35.90 (3.34)
APW7454	31.23 (2.90)	38.32 (3.56)
APW7458	33.47 (3.11)	40.75 (3.79)
APW7460	35.71 (3.32)	43.17 (4.01)
APW7820	9.28 (0.86)	14.73 (1.37)
APW7824	11.63 (1.08)	17.26 (1.60)
APW7828	13.98 (1.30)	19.80 (1.84)

• Dimensions in parentheses are in square meters.

continued on next page

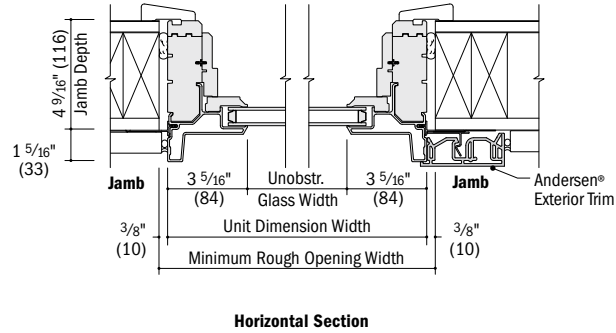
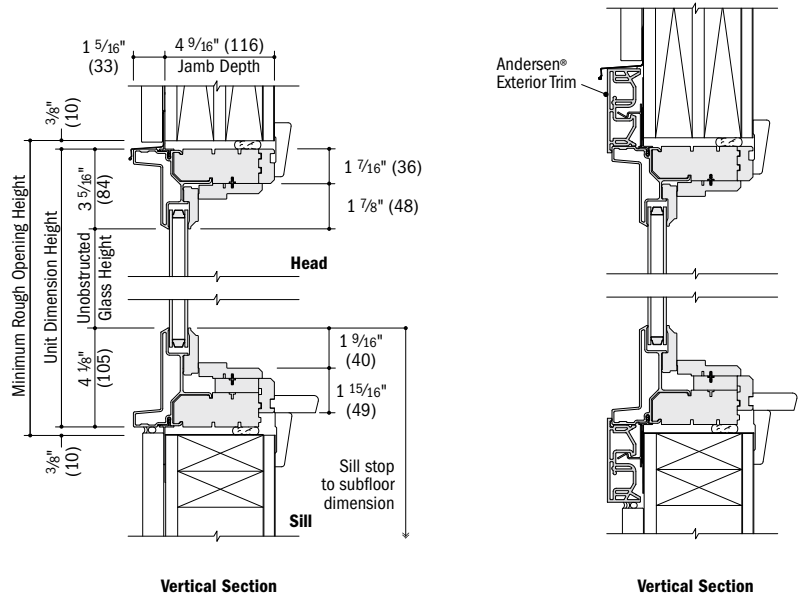
Picture Window Area Specifications (continued)

Window Number	Glass Area Sq. Ft./ (m ²)	Overall Window Area Sq. Ft./ (m ²)
APW7830	16.33 (1.52)	22.34 (2.08)
APW7834	18.68 (1.74)	24.87 (2.31)
APW7838	21.03 (1.95)	27.41 (2.55)
APW7840	23.38 (2.17)	29.94 (2.78)
APW7844	25.73 (2.39)	32.48 (3.02)
APW7848	28.08 (2.61)	35.01 (3.25)
APW7850	30.43 (2.83)	37.55 (3.49)
APW7854	32.78 (3.05)	40.08 (3.72)
APW7858	35.13 (3.26)	42.62 (3.96)
APW7860	37.48 (3.48)	45.15 (4.19)
APW8020	9.72 (0.90)	15.38 (1.43)
APW8024	12.18 (1.13)	18.02 (1.67)
APW8028	14.64 (1.36)	20.67 (1.92)
APW8030	17.10 (1.59)	23.32 (2.17)
APW8034	19.57 (1.82)	25.96 (2.41)
APW8038	22.03 (2.05)	28.61 (2.66)
APW8040	24.49 (2.28)	31.25 (2.90)
APW8044	26.95 (2.50)	33.90 (3.15)
APW8048	29.41 (2.73)	36.55 (3.40)
APW8050	31.87 (2.96)	39.19 (3.64)
APW8054	34.33 (3.19)	41.84 (3.89)
APW8058	36.79 (3.42)	44.48 (4.13)
APW8060	39.25 (3.65)	47.13 (4.38)

• Dimensions in parentheses are in square meters.

Picture Window Details

Scale 1 1/2" (38) = 1'-0" (305) – 1:8



See pages 64-66 for horizontal and vertical joining details.

- 4 9/16" (116) jamb depth measurement is from back side of installation flange.
- Light-colored areas are parts included with window. Dark-colored areas are additional Andersen® parts required to complete window assembly as shown.
- Dimensions in parentheses are in millimeters.
- Rough openings may need to be increased to allow for use of building wraps, flashing, sill panning, brackets, fasteners or other items. See installation information on pages 236-237.
- Details are for illustration only and are not intended to represent product installation methods or materials. Refer to product installation guides at andersenwindows.com.

TRANSOM WINDOWS

Table of Transom Window Sizes

Scale 1/8" (3) = 1'-0" (305) – 1:96

Notes on the next page also apply to this page.

Unit Dimension	1'-3 1/4"	1'-7 1/4"	1'-11 1/4"	2'-3 1/4"	2'-5 1/4"	2'-7 1/4"	2'-9 1/4"	2'-11 1/4"	3'-1 1/4"	3'-3 1/4"	3'-7 1/4"	3'-11 1/4"
Minimum Rough Opening	1'-4" (406)	1'-8" (508)	2'-0" (610)	2'-4" (711)	2'-6" (762)	2'-8" (813)	2'-10" (864)	3'-0" (914)	3'-2" (965)	3'-4" (1016)	3'-8" (1118)	4'-0" (1219)
Unobstructed Glass	8 5/8" (219)	12 5/8" (321)	16 5/8" (422)	20 5/8" (524)	22 5/8" (575)	24 5/8" (625)	26 5/8" (676)	28 5/8" (727)	30 5/8" (778)	32 5/8" (829)	36 5/8" (930)	40 5/8" (1032)

CUSTOM HEIGHTS – fixed 11 1/4" to 95 1/4"

11 1/4" (286)	1'-0" (305)	4 5/8" (117)
1'-3 1/4" (387)	1'-4" (406)	8 5/8" (219)
1'-5 1/4" (438)	1'-6" (457)	10 5/8" (270)
1'-7 1/4" (489)	1'-8" (508)	12 5/8" (321)
1'-9 1/4" (540)	1'-10" (559)	14 5/8" (371)
1'-11 1/4" (591)	2'-0" (610)	16 5/8" (422)
2'-1 1/4" (641)	2'-2" (660)	18 5/8" (473)
2'-3 1/4" (692)	2'-4" (711)	20 5/8" (524)
2'-5 1/4" (743)	2'-6" (762)	22 5/8" (575)
2'-7 1/4" (794)	2'-8" (813)	24 5/8" (625)

CUSTOM WIDTHS – fixed 15 1/4" to 95 1/4"

ATF1410	ATF1810	ATF2010	ATF2410	ATF2610	ATF2810	ATF21010	ATF3010	ATF3210	ATF3410	ATF3810	ATF4010
---------	---------	---------	---------	---------	---------	----------	---------	---------	---------	---------	---------

CUSTOM SIZES AVAILABLE – venting

Unit Dimension	1'-3 1/4"	1'-7 1/4"	1'-11 1/4"	2'-3 1/4"	2'-5 1/4"	2'-7 1/4"	2'-9 1/4"	2'-11 1/4"	3'-1 1/4"	3'-3 1/4"	3'-7 1/4"	3'-11 1/4"
11 1/4" (286)	ATF1414	ATF1814	ATF2014	ATF2414	ATF2614	ATF2814	ATF21014	ATF3014	ATF3214	ATF3414	ATF3814	ATF4014
1'-3 1/4" (387)	ATV1814	ATV2014	ATV2414	ATV2614	ATV2814	ATV21014	ATV3014	ATV3214	ATV3414	ATV3814	ATV4014	
1'-5 1/4" (438)	ATF1416	ATF1816	ATF2016	ATF2416	ATF2616	ATF2816	ATF21016	ATF3016	ATF3216	ATF3416	ATF3816	ATF4016
1'-7 1/4" (489)	ATV1816	ATV2016	ATV2416	ATV2616	ATV2816	ATV21016	ATV3016	ATV3216	ATV3416	ATV3816	ATV4016	
1'-9 1/4" (540)	ATF1418	ATF1818	ATF2018	ATF2418	ATF2618	ATF2818	ATF21018	ATF3018	ATF3218	ATF3418	ATF3818	ATF4018
1'-11 1/4" (591)	ATV1818	ATV2018	ATV2418	ATV2618	ATV2818	ATV21018	ATV3018	ATV3218	ATV3418	ATV3818	ATV4018	
2'-1 1/4" (641)	ATF14110	ATF18110	ATF20110	ATF24110	ATF26110	ATF28110	ATF210110	ATF30110	ATF32110	ATF34110	ATF38110	ATF40110
2'-3 1/4" (692)	ATV18110	ATV20110	ATV24110	ATV26110	ATV28110	ATV210110	ATV30110	ATV32110	ATV34110	ATV38110	ATV40110	
2'-5 1/4" (743)	ATF1420	ATF1820	ATF2020	ATF2420	ATF2620	ATF2820	ATF21020	ATF3020	ATF3220	ATF3420	ATF3820	ATF4020
2'-7 1/4" (794)	ATV1820	ATV2020	ATV2420	ATV2620	ATV2820	ATV21020	ATV3020	ATV3220	ATV3420	ATV3820	ATV4020	
2'-9 1/4" (845)	ATF1422	ATF1822	ATF2022	ATF2422	ATF2622	ATF2822	ATF21022	ATF3022	ATF3222	ATF3422	ATF3822	ATF4022
2'-11 1/4" (895)	ATV1822	ATV2022	ATV2422	ATV2622	ATV2822	ATV21022	ATV3022	ATV3222	ATV3422	ATV3822	ATV4022	
3'-1 1/4" (946)	ATF1424	ATF1824	ATF2024	ATF2424	ATF2624	ATF2824	ATF21024	ATF3024	ATF3224	ATF3424	ATF3824	ATF4024
3'-3 1/4" (997)	ATV1824	ATV2024	ATV2424	ATV2624	ATV2824	ATV21024	ATV3024	ATV3224	ATV3424	ATV3824	ATV4024	
3'-5 1/4" (1048)	ATF1426	ATF1826	ATF2026	ATF2426	ATF2626	ATF2826	ATF21026	ATF3026	ATF3226	ATF3426	ATF3826	ATF4026
3'-7 1/4" (1099)	ATV1826	ATV2026	ATV2426	ATV2626	ATV2826	ATV21026	ATV3026	ATV3226	ATV3426	ATV3826	ATV4026	
3'-9 1/4" (1150)	ATF1428	ATF1828	ATF2028	ATF2428	ATF2628	ATF2828	ATF21028	ATF3028	ATF3228	ATF3428	ATF3828	ATF4028
3'-11 1/4" (1200)	ATV1828	ATV2028	ATV2428	ATV2628	ATV2828	ATV21028	ATV3028	ATV3228	ATV3428	ATV3828	ATV4028	

Transom sizes on pages 56-60.

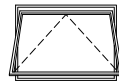
4'-3 1/4" (1302)	4'-7 1/4" (1403)	4'-11 1/4" (1505)	5'-3 1/4" (1607)	5'-7 1/4" (1708)	5'-11 1/4" (1810)
4'-4" (1321)	4'-8" (1422)	5'-0" (1524)	5'-4" (1626)	5'-8" (1727)	6'-0" (1829)
44 5/8" (1133)	48 5/8" (1335)	52 5/8" (1337)	56 5/8" (1438)	60 5/8" (1540)	64 5/8" (1641)

ATF4410	ATF4810	ATF5010	ATF5410	ATF5810	ATF6010
---------	---------	---------	---------	---------	---------

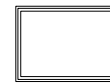
ATF4414	ATF4814	ATF5014	ATF5414	ATF5814	ATF6014
ATV4414	ATV4814	ATV5014	ATV5414	ATV5814	ATV6014
ATF4416	ATF4816	ATF5016	ATF5416	ATF5816	ATF6016
ATV4416	ATV4816	ATV5016	ATV5416	ATV5816	ATV6016
ATF4418	ATF4818	ATF5018	ATF5418	ATF5818	ATF6018
ATV4418	ATV4818	ATV5018	ATV5418	ATV5818	ATV6018
ATF44110	ATF48110	ATF50110	ATF54110	ATF58110	ATF60110
ATV44110	ATV48110	ATV50110	ATV54110	ATV58110	ATV60110
ATF4420	ATF4820	ATF5020	ATF5420	ATF5820	ATF6020
ATV4420	ATV4820	ATV5020	ATV5420	ATV5820	ATV6020
ATF4422	ATF4822	ATF5022	ATF5422	ATF5822	ATF6022
ATV4422	ATV4822	ATV5022	ATV5422	ATV5822	ATV6022
ATF4424	ATF4824	ATF5024	ATF5424	ATF5824	ATF6024
ATV4424	ATV4824	ATV5024	ATV5424	ATV5824	ATV6024
ATF4426	ATF4826	ATF5026	ATF5426	ATF5826	ATF6026
ATV4426	ATV4826	ATV5026	ATV5426	ATV5826	ATV6026
ATF4428	ATF4828	ATF5028	ATF5428	ATF5828	ATF6028
ATV4428	ATV4828	ATV5028	ATV5428	ATV5828	ATV6028



Custom-size windows are available in 1/8" (3) increments. See page 69 for custom sizes and specifications.



Venting Transom



Fixed Transom

Choose venting (ATV) or fixed (ATF).

Venting window must be installed to vent as shown and should not be rotated and used as a hopper.

Details shown on page 63. Grille patterns shown on page 62.

- "Window Dimension" always refers to outside frame to frame dimension.
- "Minimum Rough Opening" dimensions may need to be increased to allow for use of building wraps, flashing, sill panning, brackets, fasteners or other items. See pages 236-237 for more details.
- Dimensions in parentheses are in millimeters.

continued on next page

TRANSOM WINDOWS

Table of Transom Window Sizes (continued)

Scale 1/8" (3) = 1'-0" (305) – 1:96

Notes on the next page also apply to this page.

Window Dimension	1'-3 1/4" (387)	1'-7 1/4" (489)	1'-11 1/4" (591)	2'-3 1/4" (692)	2'-5 1/4" (743)	2'-7 1/4" (794)	2'-9 1/4" (845)	2'-11 1/4" (895)	3'-1 1/4" (946)	3'-3 1/4" (997)	3'-7 1/4" (1099)	3'-11 1/4" (1200)
Minimum Rough Opening	1'-4" (406)	1'-8" (508)	2'-0" (610)	2'-4" (711)	2'-6" (762)	2'-8" (813)	2'-10" (864)	3'-0" (914)	3'-2" (965)	3'-4" (1016)	3'-8" (1118)	4'-0" (1219)
Unobstructed Glass	8 5/8" (219)	12 5/8" (321)	16 5/8" (422)	20 5/8" (524)	22 5/8" (575)	24 5/8" (625)	26 5/8" (676)	28 5/8" (727)	30 5/8" (778)	32 5/8" (829)	36 5/8" (930)	40 5/8" (1032)

CUSTOM SIZES AVAILABLE

2'-11 1/4" (895)	3'-0" (914)	28 5/8" (727)	CUSTOM AVAILABLE												
ATF1430	ATF1830	ATF2030	ATF2430	ATF2630	ATF2830	ATF21030	ATF3030	ATF3230	ATF3430	ATF3830	ATF4030				
3'-3 1/4" (997)	3'-4" (1016)	32 5/8" (829)	CUSTOM AVAILABLE												
ATF1434	ATF1834	ATF2034	ATF2434	ATF2634	ATF2834	ATF21034	ATF3034	ATF3234	ATF3434	ATF3834	ATF4034				

Venting Transom Window Opening and Area Specifications

Window Number	Clear Opening in Full Open Position			Glass Area Sq. Ft./ (m ²)	Vent Sq. Ft./ (m ²)	Top of Subfloor to Top of Inside Sill Stop Inches/(mm)	Overall Window Area Sq. Ft./ (m ²)
	Clear Opening Sq. Ft./ (m ²)	Width Inches/(mm)	Depth Inches/(mm)				
ATV1814	0.59 (0.05)	14 5/16" (363)	5 7/8" (150)	0.75 (0.07)	0.59 (0.05)	69 1/2" (1764)	2.04 (0.19)
ATV2014	0.75 (0.07)	18 5/16" (465)	5 7/8" (150)	0.99 (0.09)	0.75 (0.07)	69 1/2" (1764)	2.46 (0.23)
ATV2414	0.91 (0.08)	22 5/16" (567)	5 7/8" (150)	1.23 (0.11)	0.91 (0.08)	69 1/2" (1764)	2.89 (0.27)
ATV2614	0.99 (0.09)	24 5/16" (617)	5 7/8" (150)	1.35 (0.13)	0.99 (0.09)	69 1/2" (1764)	3.10 (0.29)
ATV2814	1.08 (0.10)	26 5/16" (668)	5 7/8" (150)	1.47 (0.14)	1.08 (0.10)	69 1/2" (1764)	3.31 (0.31)
ATV21014	1.16 (0.11)	28 5/16" (719)	5 7/8" (150)	1.59 (0.15)	1.16 (0.11)	69 1/2" (1764)	3.52 (0.33)
ATV3014	1.24 (0.12)	30 5/16" (770)	5 7/8" (150)	1.71 (0.16)	1.24 (0.12)	69 1/2" (1764)	3.73 (0.35)
ATV3214	1.32 (0.12)	32 5/16" (821)	5 7/8" (150)	1.83 (0.17)	1.32 (0.12)	69 1/2" (1764)	3.95 (0.37)
ATV3414	1.40 (0.13)	34 5/16" (871)	5 7/8" (150)	1.95 (0.18)	1.40 (0.13)	69 1/2" (1764)	4.16 (0.39)
ATV3814	1.57 (0.15)	38 5/16" (973)	5 7/8" (150)	2.19 (0.20)	1.57 (0.15)	69 1/2" (1764)	4.58 (0.43)
ATV4014	1.73 (0.16)	42 5/16" (1075)	5 7/8" (150)	2.43 (0.23)	1.73 (0.16)	69 1/2" (1764)	5.00 (0.46)
ATV4414	1.90 (0.18)	46 5/16" (1176)	5 7/8" (150)	2.66 (0.25)	1.90 (0.18)	69 1/2" (1764)	5.43 (0.50)
ATV4814	2.06 (0.19)	50 5/16" (1278)	5 7/8" (150)	2.90 (0.27)	2.06 (0.19)	69 1/2" (1764)	5.85 (0.54)
ATV5014	2.22 (0.21)	54 5/16" (1379)	5 7/8" (150)	3.14 (0.29)	2.22 (0.21)	69 1/2" (1764)	6.28 (0.58)
ATV5414	2.39 (0.22)	58 5/16" (1481)	5 7/8" (150)	3.38 (0.31)	2.39 (0.22)	69 1/2" (1764)	6.70 (0.62)
ATV5814	2.55 (0.24)	62 5/16" (1583)	5 7/8" (150)	3.62 (0.34)	2.55 (0.24)	69 1/2" (1764)	7.12 (0.66)
ATV6014	2.71 (0.25)	66 5/16" (1684)	5 7/8" (150)	3.86 (0.36)	2.71 (0.25)	69 1/2" (1764)	7.55 (0.70)
ATV1816	0.59 (0.05)	14 5/16" (363)	5 7/8" (150)	0.93 (0.09)	0.59 (0.05)	67 1/2" (1714)	2.31 (0.21)
ATV2016	0.75 (0.07)	18 5/16" (465)	5 7/8" (150)	1.22 (0.11)	0.75 (0.07)	67 1/2" (1714)	2.79 (0.26)
ATV2416	0.91 (0.08)	22 5/16" (567)	5 7/8" (150)	1.52 (0.14)	0.91 (0.08)	67 1/2" (1714)	3.26 (0.30)
ATV2616	0.99 (0.09)	24 5/16" (617)	5 7/8" (150)	1.66 (0.15)	0.99 (0.09)	67 1/2" (1714)	3.50 (0.33)
ATV2816	1.08 (0.10)	26 5/16" (668)	5 7/8" (150)	1.81 (0.17)	1.08 (0.10)	67 1/2" (1714)	3.74 (0.35)
ATV21016	1.16 (0.11)	28 5/16" (719)	5 7/8" (150)	1.96 (0.18)	1.16 (0.11)	67 1/2" (1714)	3.98 (0.37)
ATV3016	1.24 (0.12)	30 5/16" (770)	5 7/8" (150)	2.11 (0.20)	1.24 (0.12)	67 1/2" (1714)	4.22 (0.39)
ATV3216	1.32 (0.12)	32 5/16" (821)	5 7/8" (150)	2.25 (0.21)	1.32 (0.12)	67 1/2" (1714)	4.46 (0.41)
ATV3416	1.40 (0.13)	34 5/16" (871)	5 7/8" (150)	2.40 (0.22)	1.40 (0.13)	67 1/2" (1714)	4.70 (0.44)
ATV3816	1.57 (0.15)	38 5/16" (973)	5 7/8" (150)	2.69 (0.25)	1.57 (0.15)	67 1/2" (1714)	5.18 (0.48)
ATV4016	1.73 (0.16)	42 5/16" (1075)	5 7/8" (150)	2.99 (0.28)	1.73 (0.16)	67 1/2" (1714)	5.66 (0.53)
ATV4416	1.90 (0.18)	46 5/16" (1176)	5 7/8" (150)	3.28 (0.30)	1.90 (0.18)	67 1/2" (1714)	6.14 (0.57)
ATV4816	2.06 (0.19)	50 5/16" (1278)	5 7/8" (150)	3.58 (0.33)	2.06 (0.19)	67 1/2" (1714)	6.62 (0.61)
ATV5016	2.22 (0.21)	54 5/16" (1379)	5 7/8" (150)	3.87 (0.36)	2.22 (0.21)	67 1/2" (1714)	7.10 (0.66)
ATV5416	2.39 (0.22)	58 5/16" (1481)	5 7/8" (150)	4.17 (0.39)	2.39 (0.22)	67 1/2" (1714)	7.58 (0.70)
ATV5816	2.55 (0.24)	62 5/16" (1583)	5 7/8" (150)	4.46 (0.41)	2.55 (0.24)	67 1/2" (1714)	8.06 (0.75)
ATV6016	2.71 (0.25)	66 5/16" (1684)	5 7/8" (150)	4.76 (0.44)	2.71 (0.25)	67 1/2" (1714)	8.54 (0.79)
ATV1818	0.59 (0.05)	14 5/16" (363)	5 7/8" (150)	1.10 (0.10)	0.59 (0.05)	65 1/2" (1663)	2.57 (0.24)
ATV2018	0.75 (0.07)	18 5/16" (465)	5 7/8" (150)	1.45 (0.13)	0.75 (0.07)	65 1/2" (1663)	3.11 (0.29)
ATV2418	0.91 (0.08)	22 5/16" (567)	5 7/8" (150)	1.80 (0.17)	0.91 (0.08)	65 1/2" (1663)	3.64 (0.34)
ATV2618	0.99 (0.09)	24 5/16" (617)	5 7/8" (150)	1.98 (0.18)	0.99 (0.09)	65 1/2" (1663)	3.91 (0.36)
ATV2818	1.08 (0.10)	26 5/16" (668)	5 7/8" (150)	2.15 (0.20)	1.08 (0.10)	65 1/2" (1663)	4.18 (0.39)
ATV21018	1.16 (0.11)	28 5/16" (719)	5 7/8" (150)	2.33 (0.22)	1.16 (0.11)	65 1/2" (1663)	4.45 (0.41)
ATV3018	1.24 (0.12)	30 5/16" (770)	5 7/8" (150)	2.50 (0.23)	1.24 (0.12)	65 1/2" (1663)	4.71 (0.44)
ATV3218	1.32 (0.12)	32 5/16" (821)	5 7/8" (150)	2.68 (0.25)	1.32 (0.12)	65 1/2" (1663)	4.98 (0.46)

Fixed Transom Window Area Specifications

Window Number	Glass Area Sq. Ft./ (m ²)	Overall Window Area Sq. Ft./ (m ²)
ATF1410	0.27 (0.03)	1.19 (0.11)
ATF1414	0.51 (0.05)	1.62 (0.15)
ATF1416	0.63 (0.06)	1.83 (0.17)
ATF1418	0.75 (0.07)	2.04 (0.19)
ATF14110	0.87 (0.08)	2.25 (0.21)
ATF1420	0.99 (0.09)	2.46 (0.23)
ATF1422	1.11 (0.10)	2.67 (0.25)
ATF1424	1.23 (0.11)	2.89 (0.27)
ATF1426	1.35 (0.13)	3.10 (0.29)
ATF1428	1.47 (0.14)	3.31 (0.31)
ATF1430	1.71 (0.16)	3.73 (0.35)
ATF1434	1.95 (0.18)	4.16 (0.39)
ATF1810	0.40 (0.04)	1.50 (0.14)
ATF1814	0.75 (0.07)	2.04 (0.19)
ATF1816	0.93 (0.09)	2.31 (0.21)
ATF1818	1.10 (0.10)	2.57 (0.24)
ATF18110	1.28 (0.12)	2.84 (0.26)
ATF1820	1.45 (0.13)	3.11 (0.29)
ATF1822	1.63 (0.15)	3.38 (0.31)
ATF1824	1.80 (0.17)	3.64 (0.34)
ATF1826	1.98 (0.18)	3.91 (0.36)
ATF1828	2.15 (0.20)	4.18 (0.39)
ATF1830	2.50 (0.23)	4.71 (0.44)
ATF1834	2.85 (0.26)	5.25 (0.49)
ATF2010	0.53 (0.05)	1.82 (0.17)
ATF2014	0.99 (0.09)	2.46 (0.23)
ATF2016	1.22 (0.11)	2.79 (0.26)
ATF2018	1.45 (0.13)	3.11 (0.29)
ATF20110	1.68 (0.16)	3.43 (0.32)
ATF2020	1.91 (0.18)	3.75 (0.35)
ATF2022	2.14 (0.20)	4.08 (0.38)
ATF2024	2.37 (0.22)	4.40 (0.41)
ATF2026	2.61 (0.24)	4.72 (0.44)
ATF2028	2.84 (0.26)	5.05 (0.47)
ATF2030	3.30 (0.31)	5.69 (0.53)
ATF2034	3.76 (0.35)	6.34 (0.59)
ATF2410	0.66 (0.06)	2.13 (0.20)
ATF2414	1.23 (0.11)	2.89 (0.27)
ATF2416	1.52 (0.14)	3.26 (0.30)
ATF2418	1.80 (0.17)	3.64 (0.34)

• Dimensions in parentheses are in square meters.

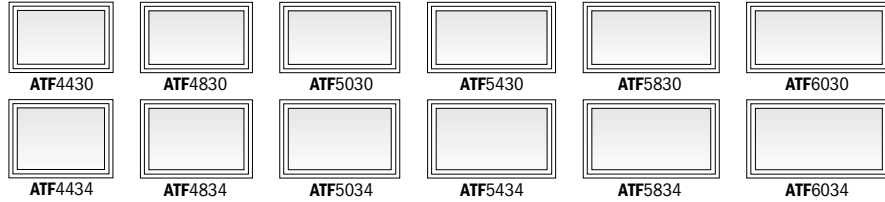
• "Top of Subfloor to Top of Inside Sill Stop" is calculated based upon a structural header height of 6'-10 1/2" (2096).
 • Dimensions in parentheses are in millimeters or square meters.

continued on next page

continued on next page

Transom sizes on pages 56-60.

4'-3 1/4" (1302)	4'-7 1/4" (1403)	4'-11 1/4" (1505)	5'-3 1/4" (1607)	5'-7 1/4" (1708)	5'-11 1/4" (1810)
4'-4" (1321)	4'-8" (1422)	5'-0" (1524)	5'-4" (1626)	5'-8" (1727)	6'-0" (1829)
44 5/8" (1133)	48 5/8" (1335)	52 5/8" (1337)	56 5/8" (1438)	60 5/8" (1540)	64 5/8" (1641)



- "Window Dimension" always refers to outside frame to frame dimension.
- "Minimum Rough Opening" dimensions may need to be increased to allow for use of building wraps, flashing, sill panning, brackets, fasteners or other items. See pages 236-237 for more details.
- Dimensions in parentheses are in millimeters.



Custom-size windows are available in 1/8" (3) increments. See page 69 for custom sizes and specifications.

Choose venting (ATV) or fixed (ATF). See pages 56-57 for venting sizes. Details and grille patterns shown on pages 62-63.

Venting Transom Window Opening and Area Specifications (continued)

Window Number	Clear Opening Sq. Ft./(m ²)	Clear Opening in Full Open Position		Glass Area Sq. Ft./(m ²)	Vent Sq. Ft./(m ²)	Top of Subfloor to Top of Inside Sill Stop Inches/(mm)	Overall Window Area Sq. Ft./(m ²)
		Width Inches/(mm)	Depth Inches/(mm)				
ATV3418	1.40 (0.13)	34 5/16" (871)	5 7/8" (150)	2.85 (0.27)	1.40 (0.13)	65 1/2" (1663)	5.25 (0.49)
ATV3818	1.57 (0.15)	38 5/16" (973)	5 7/8" (150)	3.20 (0.30)	1.57 (0.15)	65 1/2" (1663)	5.78 (0.54)
ATV4018	1.73 (0.16)	42 5/16" (1075)	5 7/8" (150)	3.55 (0.33)	1.73 (0.16)	65 1/2" (1663)	6.32 (0.59)
ATV4418	1.90 (0.18)	46 5/16" (1176)	5 7/8" (150)	3.90 (0.36)	1.90 (0.18)	65 1/2" (1663)	6.85 (0.64)
ATV4818	2.06 (0.19)	50 5/16" (1278)	5 7/8" (150)	4.25 (0.40)	2.06 (0.19)	65 1/2" (1663)	7.39 (0.69)
ATV5018	2.22 (0.21)	54 5/16" (1379)	5 7/8" (150)	4.60 (0.43)	2.22 (0.21)	65 1/2" (1663)	7.92 (0.74)
ATV5418	2.39 (0.22)	58 5/16" (1481)	5 7/8" (150)	4.95 (0.46)	2.39 (0.22)	65 1/2" (1663)	8.46 (0.79)
ATV5818	2.55 (0.24)	62 5/16" (1583)	5 7/8" (150)	5.30 (0.49)	2.55 (0.24)	65 1/2" (1663)	8.99 (0.84)
ATV6018	2.71 (0.25)	66 5/16" (1684)	5 7/8" (150)	5.65 (0.53)	2.71 (0.25)	65 1/2" (1663)	9.53 (0.88)
ATV18110	0.59 (0.05)	14 5/16" (363)	5 7/8" (150)	1.28 (0.12)	0.59 (0.05)	63 1/2" (1612)	2.84 (0.26)
ATV20110	0.75 (0.07)	18 5/16" (465)	5 7/8" (150)	1.68 (0.16)	0.75 (0.07)	63 1/2" (1612)	3.43 (0.32)
ATV24110	0.91 (0.08)	22 5/16" (567)	5 7/8" (150)	2.09 (0.19)	0.91 (0.08)	63 1/2" (1612)	4.02 (0.37)
ATV26110	0.99 (0.09)	24 5/16" (617)	5 7/8" (150)	2.29 (0.21)	0.99 (0.09)	63 1/2" (1612)	4.32 (0.40)
ATV28110	1.08 (0.10)	26 5/16" (668)	5 7/8" (150)	2.49 (0.23)	1.08 (0.10)	63 1/2" (1612)	4.61 (0.43)
ATV210110	1.16 (0.11)	28 5/16" (719)	5 7/8" (150)	2.70 (0.25)	1.16 (0.11)	63 1/2" (1612)	4.91 (0.46)
ATV30110	1.24 (0.12)	30 5/16" (770)	5 7/8" (150)	2.90 (0.27)	1.24 (0.12)	63 1/2" (1612)	5.20 (0.48)
ATV32110	1.32 (0.12)	32 5/16" (821)	5 7/8" (150)	3.10 (0.29)	1.32 (0.12)	63 1/2" (1612)	5.50 (0.51)
ATV34110	1.40 (0.13)	34 5/16" (871)	5 7/8" (150)	3.31 (0.31)	1.40 (0.13)	63 1/2" (1612)	5.79 (0.54)
ATV38110	1.57 (0.15)	38 5/16" (973)	5 7/8" (150)	3.71 (0.34)	1.57 (0.15)	63 1/2" (1612)	6.38 (0.59)
ATV40110	1.73 (0.16)	42 5/16" (1075)	5 7/8" (150)	4.12 (0.38)	1.73 (0.16)	63 1/2" (1612)	6.97 (0.65)
ATV44110	1.90 (0.18)	46 5/16" (1176)	5 7/8" (150)	4.55 (0.42)	1.90 (0.18)	63 1/2" (1612)	7.56 (0.70)
ATV48110	2.06 (0.19)	50 5/16" (1278)	5 7/8" (150)	4.93 (0.46)	2.06 (0.19)	63 1/2" (1612)	8.15 (0.76)
ATV50110	2.22 (0.21)	54 5/16" (1379)	5 7/8" (150)	5.33 (0.50)	2.22 (0.21)	63 1/2" (1612)	8.74 (0.81)
ATV54110	2.39 (0.22)	58 5/16" (1481)	5 7/8" (150)	5.74 (0.53)	2.39 (0.22)	63 1/2" (1612)	9.33 (0.87)
ATV58110	2.55 (0.24)	62 5/16" (1583)	5 7/8" (150)	6.14 (0.57)	2.55 (0.24)	63 1/2" (1612)	9.92 (0.92)
ATV60110	2.71 (0.25)	66 5/16" (1684)	5 7/8" (150)	6.55 (0.61)	2.71 (0.25)	63 1/2" (1612)	10.51 (0.98)
ATV1820	0.59 (0.05)	14 5/16" (363)	5 7/8" (150)	1.45 (0.13)	0.59 (0.05)	61 1/2" (1561)	3.11 (0.29)
ATV2020	0.75 (0.07)	18 5/16" (465)	5 7/8" (150)	1.91 (0.18)	0.75 (0.07)	61 1/2" (1561)	3.75 (0.35)
ATV2420	0.91 (0.08)	22 5/16" (567)	5 7/8" (150)	2.38 (0.22)	0.91 (0.08)	61 1/2" (1561)	4.40 (0.41)
ATV2620	0.99 (0.09)	24 5/16" (617)	5 7/8" (150)	2.61 (0.24)	0.99 (0.09)	61 1/2" (1561)	4.72 (0.44)
ATV2820	1.08 (0.10)	26 5/16" (668)	5 7/8" (150)	2.84 (0.26)	1.08 (0.10)	61 1/2" (1561)	5.05 (0.47)
ATV21020	1.16 (0.11)	28 5/16" (719)	5 7/8" (150)	3.07 (0.28)	1.16 (0.11)	61 1/2" (1561)	5.37 (0.50)
ATV3020	1.24 (0.12)	30 5/16" (770)	5 7/8" (150)	3.30 (0.31)	1.24 (0.12)	61 1/2" (1561)	5.69 (0.53)
ATV3220	1.32 (0.12)	32 5/16" (821)	5 7/8" (150)	3.53 (0.33)	1.32 (0.12)	61 1/2" (1561)	6.01 (0.56)
ATV3420	1.40 (0.13)	34 5/16" (871)	5 7/8" (150)	3.76 (0.35)	1.40 (0.13)	61 1/2" (1561)	6.34 (0.59)
ATV3820	1.57 (0.15)	38 5/16" (973)	5 7/8" (150)	4.22 (0.39)	1.57 (0.15)	61 1/2" (1561)	6.98 (0.65)
ATV4020	1.73 (0.16)	42 5/16" (1075)	5 7/8" (150)	4.68 (0.43)	1.73 (0.16)	61 1/2" (1561)	7.63 (0.71)
ATV4420	1.90 (0.18)	46 5/16" (1176)	5 7/8" (150)	5.14 (0.48)	1.90 (0.18)	61 1/2" (1561)	8.28 (0.77)

- "Top of Subfloor to Top of Inside Sill Stop" is calculated based upon a structural header height of 6'-10 1/2" (2096).
- Dimensions in parentheses are in millimeters or square meters.

continued on next page

continued on next page

Fixed Transom Window Area Specifications (continued)

Window Number	Glass Area Sq. Ft./(m ²)	Overall Window Area Sq. Ft./(m ²)
ATF24110	2.09 (0.19)	4.02 (0.37)
ATF2420	2.37 (0.22)	4.40 (0.41)
ATF2422	2.66 (0.25)	4.78 (0.44)
ATF2424	2.95 (0.27)	5.16 (0.48)
ATF2426	3.23 (0.30)	5.54 (0.51)
ATF2428	3.52 (0.33)	5.91 (0.55)
ATF2430	4.09 (0.38)	6.67 (0.62)
ATF2434	4.66 (0.43)	7.43 (0.69)
ATF2610	0.72 (0.07)	2.29 (0.21)
ATF2614	1.35 (0.13)	3.10 (0.29)
ATF2616	1.66 (0.15)	3.50 (0.33)
ATF2618	1.98 (0.18)	3.91 (0.36)
ATF26110	2.29 (0.21)	4.32 (0.40)
ATF2620	2.61 (0.24)	4.72 (0.44)
ATF2622	2.92 (0.27)	5.13 (0.48)
ATF2624	3.23 (0.30)	5.54 (0.51)
ATF2626	3.55 (0.33)	5.94 (0.55)
ATF2628	3.86 (0.36)	6.35 (0.59)
ATF2630	4.49 (0.42)	7.16 (0.67)
ATF2634	5.12 (0.48)	7.97 (0.74)
ATF2810	0.79 (0.07)	2.44 (0.23)
ATF2814	1.47 (0.14)	3.31 (0.31)
ATF2816	1.81 (0.17)	3.74 (0.35)
ATF2818	2.15 (0.20)	4.18 (0.39)
ATF28110	2.49 (0.23)	4.61 (0.43)
ATF2820	2.84 (0.26)	5.05 (0.47)
ATF2822	3.18 (0.30)	5.48 (0.51)
ATF2824	3.52 (0.33)	5.91 (0.55)
ATF2826	3.86 (0.36)	6.35 (0.59)
ATF2828	4.20 (0.39)	6.78 (0.63)
ATF2830	4.89 (0.45)	7.65 (0.71)
ATF2834	5.57 (0.52)	8.52 (0.79)
ATF21010	0.85 (0.08)	2.60 (0.24)
ATF21014	1.59 (0.15)	3.52 (0.33)
ATF21016	1.96 (0.18)	3.98 (0.37)
ATF21018	2.33 (0.22)	4.44 (0.41)

- Dimensions in parentheses are in square meters.

TRANSOM WINDOWS

Table of Transom Window Sizes (continued)

Scale 1/8" (3) = 1'-0" (305) – 1:96

Notes on page 57 also apply to this page. Transom sizes on pages 56-60.

Unit Dimension	6'-3 1/4" (1911)	6'-7 1/4" (2013)	6'-11 1/4" (2115)	7'-3 1/4" (2216)	7'-7 1/4" (2318)	7'-11 1/4" (2419)
Minimum Rough Opening	6'-4" (1930)	6'-8" (2032)	7'-0" (2133)	7'-4" (2235)	7'-8" (2336)	8'-0" (2438)
Unobstructed Glass	68 5/8" (1743)	72 5/8" (1845)	76 5/8" (1946)	80 5/8" (2048)	84 5/8" (2149)	88 5/8" (2251)

11 1/4" (286)	1'-0" (305)	4 5/8" (117)
1'-3 1/4" (387)	1'-4" (406)	8 5/8" (219)
1'-5 1/4" (438)	1'-6" (457)	10 5/8" (270)
1'-7 1/4" (489)	1'-8" (508)	12 5/8" (321)
1'-9 1/4" (540)	1'-10" (559)	14 5/8" (371)
1'-11 1/4" (591)	2'-0" (610)	16 5/8" (422)
2'-1 1/4" (641)	2'-2" (660)	18 5/8" (473)
2'-3 1/4" (692)	2'-4" (711)	20 5/8" (524)
2'-5 1/4" (743)	2'-6" (762)	22 5/8" (575)
2'-7 1/4" (794)	2'-8" (813)	24 5/8" (625)
2'-11 1/4" (895)	3'-0" (914)	28 5/8" (727)
3'-3 1/4" (997)	3'-4" (1016)	32 5/8" (829)

CUSTOM WIDTHS – fixed 15 1/4" to 95 1/4"

CUSTOM HEIGHTS – fixed 11 1/4" to 95 1/4"

ATF6410	ATF6810	ATF7010	ATF7410	ATF7810	ATF8010
ATF6414	ATF6814	ATF7014	ATF7414	ATF7814	ATF8014
ATF6416	ATF6816	ATF7016	ATF7416	ATF7816	ATF8016
ATF6418	ATF6818	ATF7018	ATF7418	ATF7818	ATF8018
ATF64110	ATF68110	ATF70110	ATF74110	ATF78110	ATF80110
ATF6420	ATF6820	ATF7020	ATF7420	ATF7820	ATF8020
ATF6422	ATF6822	ATF7022	ATF7422	ATF7822	ATF8022
ATF6424	ATF6824	ATF7024	ATF7424	ATF7824	ATF8024
ATF6426	ATF6826	ATF7026	ATF7426	ATF7826	ATF8026
ATF6428	ATF6828	ATF7028	ATF7428	ATF7828	ATF8028
ATF6430	ATF6830	ATF7030	ATF7430	ATF7830	ATF8030
ATF6434	ATF6834	ATF734	ATF7434	ATF7834	ATF8034

Venting Transom Window Opening and Area Specifications (continued)

Window Number	Clear Opening Sq. Ft./ (m ²)	Clear Opening in Full Open Position			Glass Area Sq. Ft./ (m ²)	Vent Sq. Ft./ (m ²)	Top of Subfloor to Top of Inside Sill Stop Inches/ (mm)	Overall Window Area Sq. Ft./ (m ²)
		Width Inches/ (mm)	Depth Inches/ (mm)					
ATV4820	2.06 (0.19)	50 5/16" (1278)	5 7/8" (150)	5.60 (0.52)	2.06 (0.19)	61 1/2" (1561)	8.92 (0.83)	
ATV5020	2.22 (0.21)	54 5/16" (1379)	5 7/8" (150)	6.06 (0.56)	2.22 (0.21)	61 1/2" (1561)	9.57 (0.89)	
ATV5420	2.39 (0.22)	58 5/16" (1481)	5 7/8" (150)	6.53 (0.61)	2.39 (0.22)	61 1/2" (1561)	10.21 (0.62)	
ATV5820	2.55 (0.24)	62 5/16" (1538)	5 7/8" (150)	6.99 (0.65)	2.55 (0.24)	61 1/2" (1561)	10.86 (0.66)	
ATV6020	2.71 (0.25)	66 5/16" (1684)	5 7/8" (150)	7.45 (0.69)	2.71 (0.25)	61 1/2" (1561)	11.50 (0.70)	
ATV1822	0.59 (0.05)	14 5/16" (363)	5 7/8" (150)	1.63 (0.15)	0.59 (0.05)	59 1/2" (1510)	3.38 (0.31)	
ATV2022	0.75 (0.07)	18 5/16" (465)	5 7/8" (150)	2.14 (0.20)	0.75 (0.07)	59 1/2" (1510)	4.08 (0.38)	
ATV2422	0.91 (0.08)	22 5/16" (567)	5 7/8" (150)	2.66 (0.25)	0.91 (0.08)	59 1/2" (1510)	4.78 (0.44)	
ATV2622	0.99 (0.09)	24 5/16" (617)	5 7/8" (150)	2.92 (0.27)	0.99 (0.09)	59 1/2" (1510)	5.13 (0.48)	
ATV2822	1.08 (0.10)	26 5/16" (668)	5 7/8" (150)	3.18 (0.30)	1.08 (0.10)	59 1/2" (1510)	5.48 (0.51)	
ATV21022	1.16 (0.11)	28 5/16" (719)	5 7/8" (150)	3.44 (0.32)	1.16 (0.11)	59 1/2" (1510)	5.83 (0.54)	
ATV3022	1.24 (0.12)	30 5/16" (770)	5 7/8" (150)	3.69 (0.34)	1.24 (0.12)	59 1/2" (1510)	6.18 (0.57)	
ATV3222	1.32 (0.12)	32 5/16" (821)	5 7/8" (150)	3.95 (0.37)	1.32 (0.12)	59 1/2" (1510)	6.53 (0.61)	

• "Top of Subfloor to Top of Inside Sill Stop" is calculated based upon a structural header height of 6'-10 1/2" (2096).
 • Dimensions in parentheses are in millimeters or square meters.

continued on next page

Fixed Transom Window Area Specifications (continued)

Window Number	Glass Area Sq. Ft./ (m ²)	Overall Window Area Sq. Ft./ (m ²)
ATF210110	2.70 (0.25)	4.91 (0.46)
ATF21020	3.07 (0.28)	5.37 (0.50)
ATF21022	3.44 (0.32)	5.83 (0.54)
ATF21024	3.81 (0.35)	6.29 (0.58)
ATF21026	4.17 (0.39)	6.75 (0.63)
ATF21028	4.54 (0.42)	7.22 (0.67)
ATF21030	5.28 (0.49)	8.14 (0.76)
ATF21034	6.02 (0.56)	9.06 (0.84)
ATF3010	0.91 (0.08)	2.75 (0.26)
ATF3014	1.71 (0.16)	3.73 (0.35)
ATF3016	2.11 (0.20)	4.22 (0.39)

• Dimensions in parentheses are in square meters.

continued on next page

Venting Transom Window Opening and Area Specifications *(continued)*

Window Number	Clear Opening Sq. Ft./ (m ²)		Clear Opening in Full Open Position		Glass Area Sq. Ft./ (m ²)		Vent Sq. Ft./ (m ²)		Top of Subfloor to Top of Inside Sill Stop Inches/(mm)		Overall Window Area Sq. Ft./ (m ²)	
			Width Inches/(mm)	Depth Inches/(mm)								
ATV3422	1.40	(0.13)	34 5/16" (871)	5 7/8" (150)	4.21	(0.39)	1.40	(0.13)	59 1/2" (1510)	6.88	(0.64)	
ATV3822	1.57	(0.15)	38 5/16" (973)	5 7/8" (150)	4.73	(0.44)	1.57	(0.15)	59 1/2" (1510)	7.58	(0.70)	
ATV4022	1.73	(0.16)	42 5/16" (1075)	5 7/8" (150)	5.24	(0.49)	1.73	(0.16)	59 1/2" (1510)	8.29	(0.77)	
ATV4422	1.90	(0.18)	46 5/16" (1176)	5 7/8" (150)	5.76	(0.54)	1.90	(0.18)	59 1/2" (1510)	8.99	(0.83)	
ATV4822	2.06	(0.19)	50 5/16" (1278)	5 7/8" (150)	6.28	(0.58)	2.06	(0.19)	59 1/2" (1510)	9.69	(0.90)	
ATV5022	2.22	(0.21)	54 5/16" (1379)	5 7/8" (150)	6.79	(0.63)	2.22	(0.21)	59 1/2" (1510)	10.39	(0.97)	
ATV5422	2.39	(0.22)	58 5/16" (1481)	5 7/8" (150)	7.31	(0.68)	2.39	(0.22)	59 1/2" (1510)	11.09	(1.03)	
ATV5822	2.55	(0.24)	62 5/16" (1583)	5 7/8" (150)	7.83	(0.73)	2.55	(0.24)	59 1/2" (1510)	11.79	(1.10)	
ATV6022	2.71	(0.25)	66 5/16" (1684)	5 7/8" (150)	8.34	(0.78)	2.71	(0.25)	59 1/2" (1510)	12.49	(1.16)	
ATV1824	0.59	(0.05)	14 5/16" (363)	5 7/8" (150)	1.80	(0.17)	0.59	(0.05)	57 1/2" (1460)	3.64	(0.34)	
ATV2024	0.75	(0.07)	18 5/16" (465)	5 7/8" (150)	2.38	(0.22)	0.75	(0.07)	57 1/2" (1460)	4.40	(0.41)	
ATV2424	0.91	(0.08)	22 5/16" (567)	5 7/8" (150)	2.95	(0.27)	0.91	(0.08)	57 1/2" (1460)	5.16	(0.48)	
ATV2624	0.99	(0.09)	24 5/16" (617)	5 7/8" (150)	3.23	(0.30)	0.99	(0.09)	57 1/2" (1460)	5.54	(0.51)	
ATV2824	1.08	(0.10)	26 5/16" (668)	5 7/8" (150)	3.52	(0.33)	1.08	(0.10)	57 1/2" (1460)	5.91	(0.55)	
ATV21024	1.16	(0.11)	28 5/16" (719)	5 7/8" (150)	3.81	(0.35)	1.16	(0.11)	57 1/2" (1460)	6.29	(0.58)	
ATV3024	1.24	(0.12)	30 5/16" (770)	5 7/8" (150)	4.09	(0.38)	1.24	(0.12)	57 1/2" (1460)	6.67	(0.62)	
ATV3224	1.32	(0.12)	32 5/16" (821)	5 7/8" (150)	4.38	(0.41)	1.32	(0.12)	57 1/2" (1460)	7.05	(0.65)	
ATV3424	1.40	(0.13)	34 5/16" (871)	5 7/8" (150)	4.66	(0.43)	1.40	(0.13)	57 1/2" (1460)	7.43	(0.69)	
ATV3824	1.57	(0.15)	38 5/16" (973)	5 7/8" (150)	5.24	(0.49)	1.57	(0.15)	57 1/2" (1460)	8.18	(0.76)	
ATV4034	1.73	(0.16)	42 5/16" (1075)	5 7/8" (150)	5.81	(0.54)	1.73	(0.16)	57 1/2" (1460)	8.94	(0.83)	
ATV4424	1.90	(0.18)	46 5/16" (1176)	5 7/8" (150)	6.38	(0.59)	1.90	(0.18)	57 1/2" (1460)	9.70	(0.90)	
ATV4824	2.06	(0.19)	50 5/16" (1278)	5 7/8" (150)	6.95	(0.65)	2.06	(0.19)	57 1/2" (1460)	10.46	(0.97)	
ATV5024	2.22	(0.21)	54 5/16" (1379)	5 7/8" (150)	7.53	(0.70)	2.22	(0.21)	57 1/2" (1460)	11.21	(1.04)	
ATV5424	2.39	(0.22)	58 5/16" (1481)	5 7/8" (150)	8.10	(0.75)	2.39	(0.22)	57 1/2" (1460)	11.97	(1.11)	
ATV5824	2.55	(0.24)	62 5/16" (1583)	5 7/8" (150)	8.67	(0.81)	2.55	(0.24)	57 1/2" (1460)	12.73	(1.18)	
ATV6024	2.71	(0.25)	66 5/16" (1684)	5 7/8" (150)	9.24	(0.86)	2.71	(0.25)	57 1/2" (1460)	13.48	(1.25)	
ATV1826	0.59	(0.05)	14 5/16" (363)	5 7/8" (150)	1.98	(0.18)	0.59	(0.05)	55 1/2" (1409)	3.91	(0.36)	
ATV2026	0.75	(0.07)	18 5/16" (465)	5 7/8" (150)	2.61	(0.24)	0.75	(0.07)	55 1/2" (1409)	4.72	(0.44)	
ATV2226	0.91	(0.08)	22 5/16" (567)	5 7/8" (150)	3.23	(0.30)	0.91	(0.08)	55 1/2" (1409)	5.54	(0.51)	
ATV2426	0.99	(0.09)	24 5/16" (617)	5 7/8" (150)	3.55	(0.33)	0.99	(0.09)	55 1/2" (1409)	5.94	(0.55)	
ATV2626	1.08	(0.10)	26 5/16" (668)	5 7/8" (150)	3.86	(0.36)	1.08	(0.10)	55 1/2" (1409)	6.35	(0.59)	
ATV2826	1.16	(0.11)	28 5/16" (719)	5 7/8" (150)	4.18	(0.39)	1.16	(0.11)	55 1/2" (1409)	6.75	(0.63)	
ATV3026	1.24	(0.12)	30 5/16" (770)	5 7/8" (150)	4.49	(0.42)	1.24	(0.12)	55 1/2" (1409)	7.16	(0.67)	
ATV3226	1.32	(0.12)	32 5/16" (821)	5 7/8" (150)	4.80	(0.45)	1.32	(0.12)	55 1/2" (1409)	7.57	(0.70)	
ATV3426	1.40	(0.13)	34 5/16" (871)	5 7/8" (150)	5.12	(0.48)	1.40	(0.13)	55 1/2" (1409)	7.97	(0.74)	
ATV3826	1.57	(0.15)	38 5/16" (973)	5 7/8" (150)	5.74	(0.53)	1.57	(0.15)	55 1/2" (1409)	8.79	(0.82)	
ATV4026	1.73	(0.16)	42 5/16" (1075)	5 7/8" (150)	6.37	(0.59)	1.73	(0.16)	55 1/2" (1409)	9.60	(0.89)	
ATV4426	1.90	(0.18)	46 5/16" (1176)	5 7/8" (150)	7.00	(0.65)	1.90	(0.18)	55 1/2" (1409)	10.41	(0.97)	
ATV4826	2.06	(0.19)	50 5/16" (1278)	5 7/8" (150)	7.63	(0.71)	2.06	(0.19)	55 1/2" (1409)	11.22	(1.04)	
ATV5026	2.22	(0.21)	54 5/16" (1379)	5 7/8" (150)	8.26	(0.77)	2.22	(0.21)	55 1/2" (1409)	12.04	(1.12)	
ATV5426	2.39	(0.22)	58 5/16" (1481)	5 7/8" (150)	8.88	(0.83)	2.39	(0.22)	55 1/2" (1409)	12.85	(1.19)	
ATV5826	2.55	(0.24)	62 5/16" (1583)	5 7/8" (150)	9.55	(0.89)	2.55	(0.24)	55 1/2" (1409)	13.66	(1.27)	
ATV6026	2.71	(0.25)	66 5/16" (1684)	5 7/8" (150)	10.14	(0.94)	2.71	(0.25)	55 1/2" (1409)	14.47	(1.34)	
ATV1828	0.59	(0.05)	14 5/16" (363)	5 7/8" (150)	2.15	(0.20)	0.59	(0.05)	53 1/2" (1358)	4.18	(0.39)	
ATV2028	0.75	(0.07)	18 5/16" (465)	5 7/8" (150)	2.84	(0.26)	0.75	(0.07)	53 1/2" (1358)	5.05	(0.47)	
ATV2428	0.91	(0.08)	22 5/16" (567)	5 7/8" (150)	3.52	(0.33)	0.91	(0.08)	53 1/2" (1358)	5.91	(0.55)	
ATV2628	0.99	(0.09)	24 5/16" (617)	5 7/8" (150)	3.86	(0.36)	0.99	(0.09)	53 1/2" (1358)	6.35	(0.59)	
ATV2828	1.08	(0.10)	26 5/16" (668)	5 7/8" (150)	4.20	(0.39)	1.08	(0.10)	53 1/2" (1358)	6.78	(0.63)	
ATV21028	1.16	(0.11)	28 5/16" (719)	5 7/8" (150)	4.54	(0.42)	1.16	(0.11)	53 1/2" (1358)	7.22	(0.67)	
ATV3028	1.24	(0.12)	30 5/16" (770)	5 7/8" (150)	4.89	(0.45)	1.24	(0.12)	53 1/2" (1358)	7.56	(0.70)	
ATV3228	1.32	(0.12)	32 5/16" (821)	5 7/8" (150)	5.23	(0.49)	1.32	(0.12)	53 1/2" (1358)	8.08	(0.75)	
ATV3428	1.40	(0.13)	34 5/16" (871)	5 7/8" (150)	5.57	(0.52)	1.40	(0.13)	53 1/2" (1358)	8.52	(0.79)	
ATV3828	1.57	(0.15)	38 5/16" (973)	5 7/8" (150)	6.25	(0.58)	1.57	(0.15)	53 1/2" (1358)	9.39	(0.87)	
ATV4028	1.73	(0.16)	42 5/16" (1075)	5 7/8" (150)	6.94	(0.64)	1.73	(0.16)	53 1/2" (1358)	10.25	(0.95)	
ATV4428	1.90	(0.18)	46 5/16" (1176)	5 7/8" (150)	7.62	(0.71)	1.90	(0.18)	53 1/2" (1358)	11.12	(1.03)	
ATV4828	2.06	(0.19)	50 5/16" (1278)	5 7/8" (150)	8.30	(0.77)	2.06	(0.19)	53 1/2" (1358)	11.99	(1.11)	
ATV5028	2.22	(0.21)	54 5/16" (1379)	5 7/8" (150)	8.99	(0.83)	2.22	(0.21)	53 1/2" (1358)	12.86	(1.19)	
ATV5428	2.39	(0.22)	58 5/16" (1481)	5 7/8" (150)	9.67	(0.90)	2.39	(0.22)	53 1/2" (1358)	13.73	(1.28)	
ATV5828	2.55	(0.24)	62 5/16" (1583)	5 7/8" (150)	10.35	(0.96)	2.55	(0.24)	53 1/2" (1358)	14.59	(1.36)	
ATV6028	2.71	(0.25)	66 5/16" (1684)	5 7/8" (150)	11.04	(1.03)	2.71	(0.25)	53 1/2" (1358)	15.46	(1.44)	

* "Top of Subfloor to Top of Inside Sill Stop" is calculated based upon a structural header height of 6'-10 1/2" (2096).
 • Dimensions in parentheses are in millimeters or square meters.

Fixed Transom Window Area Specifications *(continued)*

Window Number	Glass Area Sq. Ft./ (m ²)	Overall Window Area Sq. Ft./ (m ²)
ATF3018	2.50 (0.23)	4.71 (0.44)
ATF30110	2.90 (0.27)	5.20 (0.48)
ATF3020	3.30 (0.31)	5.69 (0.53)
ATF3022	3.69 (0.34)	6.18 (0.57)
ATF3024	4.09 (0.38)	6.67 (0.62)
ATF3026	4.49 (0.42)	7.16 (0.67)
ATF3028	4.89 (0.45)	7.65 (0.71)
ATF3030	5.68 (0.53)	8.63 (0.80)
ATF3034	6.47 (0.60)	9.61 (0.89)
ATF3210	0.98 (0.09)	2.91 (0.27)
ATF3214	1.83 (0.17)	3.94 (0.37)
ATF3216	2.25 (0.21)	4.46 (0.41)
ATF3218	2.68 (0.25)	4.98 (0.46)
ATF32110	3.10 (0.29)	5.50 (0.51)
ATF3220	3.53 (0.33)	6.01 (0.56)
ATF3222	3.95 (0.37)	6.53 (0.61)
ATF3224	4.38 (0.41)	7.05 (0.65)
ATF3226	4.80 (0.45)	7.57 (0.70)
ATF3228	5.23 (0.49)	8.08 (0.75)
ATF3230	6.08 (0.56)	9.12 (0.85)
ATF3234	6.93 (0.64)	10.15 (0.94)
ATF3410	1.04 (0.10)	3.07 (0.28)
ATF3414	1.95 (0.18)	4.16 (0.39)
ATF3416	2.40 (0.22)	4.70 (0.44)
ATF3418	2.85 (0.26)	5.25 (0.49)
ATF34110	3.31 (0.31)	5.79 (0.54)
ATF3420	3.76 (0.35)	6.34 (0.59)
ATF3422	4.21 (0.39)	6.88 (0.64)
ATF3424	4.66 (0.43)	7.43 (0.69)
ATF3426	5.12 (0.48)	7.97 (0.74)
ATF3428	5.57 (0.52)	8.52 (0.79)
ATF3430	6.47 (0.60)	9.61 (0.89)
ATF3434	7.38 (0.69)	10.70 (0.99)
ATF3810	1.17 (0.11)	3.38 (0.31)
ATF3814	2.19 (0.20)	4.58 (0.43)
ATF3816	2.69 (0.25)	5.18 (0.48)
ATF3818	3.20 (0.30)	5.78 (0.54)
ATF38110	3.71 (0.34)	6.38 (0.59)
ATF3820	4.22 (0.39)	6.98 (0.65)
ATF3822	4.73 (0.44)	7.58 (0.70)
ATF3824	5.24 (0.49)	8.18 (0.76)
ATF3826	5.74 (0.53)	8.79 (0.82)
ATF3828	6.25 (0.58)	9.39 (0.87)
ATF3830	7.27 (0.68)	10.59 (0.98)
ATF3834	8.29 (0.77)	11.79 (1.10)
ATF4010	1.30 (0.12)	3.69 (0.34)
ATF4014	2.42 (0.23)	5.00 (0.46)
ATF4016	2.99 (0.28)	5.66 (0.53)
ATF4018	3.55 (0.33)	6.32 (0.59)
ATF40110	4.12 (0.38)	6.97 (0.65)
ATF4020	4.68 (0.43)	7.63 (0.71)
ATF4022	5.24 (0.49)	8.29 (0.77)
ATF4024	5.81 (0.54)	8.94 (0.83)
ATF4026	6.37 (0.59)	9.60 (0.89)
ATF4028	6.94 (0.64)	10.25 (0.95)
ATF4030	8.06 (0.75)	11.57 (1.07)
ATF4034	9.19 (0.85)	12.88 (1.20)
ATF4410	1.42 (0.13)	4.00 (0.37)

• Dimensions in parentheses are in square meters.

continued on next page

A-Series Transom Windows

TRANSOM WINDOWS

Fixed Transom Window Area Specifications *(continued)*

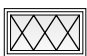

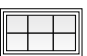
Window Number	Glass Area Sq. Ft./ (m ²)	Overall Window Area Sq. Ft./ (m ²)
ATF4414	2.66 (0.25)	5.43 (0.50)
ATF4416	3.28 (0.30)	6.14 (0.57)
ATF4418	3.90 (0.36)	6.85 (0.64)
ATF44110	4.52 (0.42)	7.56 (0.70)
ATF4420	5.14 (0.48)	8.27 (0.77)
ATF4422	5.76 (0.54)	8.99 (0.83)
ATF4424	6.38 (0.59)	9.70 (0.90)
ATF4426	7.00 (0.65)	10.41 (0.97)
ATF4428	7.62 (0.71)	11.12 (1.03)
ATF4430	8.24 (0.77)	11.83 (1.09)
ATF4434	10.10 (0.94)	13.97 (1.30)
ATF4810	1.55 (0.14)	4.32 (0.40)
ATF4814	2.90 (0.27)	5.85 (0.54)
ATF4816	3.58 (0.33)	6.62 (0.61)
ATF4818	4.25 (0.40)	7.39 (0.69)
ATF48110	4.93 (0.46)	8.15 (0.76)
ATF4820	5.60 (0.52)	8.92 (0.83)
ATF4822	6.28 (0.58)	9.69 (0.90)
ATF4824	6.95 (0.65)	10.46 (0.97)
ATF4826	7.63 (0.71)	11.22 (1.04)
ATF4828	8.30 (0.77)	11.99 (1.11)
ATF4830	9.65 (0.90)	13.52 (1.26)
ATF4834	11.00 (1.02)	15.06 (1.40)
ATF5010	1.68 (0.16)	4.63 (0.43)
ATF5014	3.14 (0.29)	6.27 (0.58)
ATF5016	3.87 (0.36)	7.10 (0.66)
ATF5018	4.60 (0.43)	7.92 (0.74)
ATF50110	5.33 (0.50)	8.74 (0.81)
ATF5020	6.06 (0.56)	9.57 (0.89)
ATF5022	6.79 (0.63)	10.39 (0.97)
ATF5024	7.52 (0.70)	11.21 (1.04)
ATF5026	8.26 (0.77)	12.04 (1.12)
ATF5028	8.99 (0.83)	12.86 (1.19)
ATF5030	10.45 (0.97)	14.50 (1.35)
ATF5034	11.91 (1.11)	16.15 (1.50)
ATF5410	1.81 (0.17)	4.94 (0.46)
ATF5414	3.38 (0.31)	6.70 (0.62)
ATF5416	4.17 (0.39)	7.58 (0.70)
ATF5418	4.95 (0.46)	8.46 (0.79)
ATF54110	5.74 (0.53)	9.33 (0.87)
ATF5420	6.52 (0.61)	10.21 (0.95)
ATF5422	7.31 (0.68)	11.09 (1.03)
ATF5424	8.10 (0.75)	11.97 (1.11)
ATF5426	8.88 (0.83)	12.85 (1.19)
ATF5428	9.67 (0.90)	13.73 (1.28)
ATF5430	11.24 (1.04)	15.48 (1.44)
ATF5434	12.81 (1.19)	17.24 (1.60)
ATF5810	1.94 (0.18)	5.25 (0.49)

Window Number	Glass Area Sq. Ft./ (m ²)	Overall Window Area Sq. Ft./ (m ²)
ATF5814	3.62 (0.34)	7.12 (0.66)
ATF5816	4.46 (0.41)	8.06 (0.75)
ATF5818	5.30 (0.49)	8.99 (0.84)
ATF58110	6.14 (0.57)	9.92 (0.92)
ATF5820	6.99 (0.65)	10.86 (1.01)
ATF5822	7.83 (0.73)	11.79 (1.10)
ATF5824	8.67 (0.81)	12.73 (1.18)
ATF5826	9.51 (0.88)	13.66 (1.27)
ATF5828	10.35 (0.96)	14.59 (1.36)
ATF5830	12.04 (1.12)	16.46 (1.53)
ATF5834	13.72 (1.27)	18.33 (1.70)
ATF6010	2.06 (0.19)	5.57 (0.52)
ATF6014	3.86 (0.36)	7.55 (0.70)
ATF6016	4.76 (0.44)	8.54 (0.79)
ATF6018	5.65 (0.53)	9.52 (0.88)
ATF60110	6.55 (0.61)	10.51 (0.98)
ATF6020	7.45 (0.69)	11.50 (1.07)
ATF6022	8.34 (0.78)	12.49 (1.16)
ATF6024	9.24 (0.86)	13.48 (1.25)
ATF6026	10.14 (0.94)	14.47 (1.34)
ATF6028	11.04 (1.03)	15.46 (1.44)
ATF6030	12.83 (1.19)	17.44 (1.62)
ATF6034	14.62 (1.36)	19.42 (1.80)
ATF6410	2.19 (0.20)	5.88 (0.55)
ATF6414	4.10 (0.38)	7.97 (0.74)
ATF6416	5.05 (0.47)	9.01 (0.84)
ATF6418	6.00 (0.56)	10.06 (0.93)
ATF64110	6.96 (0.65)	11.10 (1.03)
ATF6420	7.91 (0.73)	12.15 (1.13)
ATF6422	8.86 (0.82)	13.19 (1.23)
ATF6424	9.81 (0.91)	14.24 (1.32)
ATF6426	10.77 (1.00)	15.29 (1.42)
ATF6428	11.72 (1.09)	16.33 (1.52)
ATF6430	13.62 (1.27)	18.42 (1.71)
ATF6434	15.53 (1.44)	20.51 (1.91)
ATF6810	2.32 (0.22)	6.19 (0.58)
ATF6814	4.34 (0.40)	8.39 (0.78)
ATF6816	5.34 (0.50)	9.49 (0.88)
ATF6818	6.35 (0.59)	10.59 (0.98)
ATF68110	7.36 (0.68)	11.69 (1.09)
ATF6820	8.37 (0.78)	12.80 (1.19)
ATF6822	9.38 (0.87)	13.90 (1.29)
ATF6824	10.39 (0.97)	15.00 (1.39)
ATF6826	11.39 (1.06)	16.10 (1.50)
ATF6828	12.40 (1.15)	17.20 (1.60)
ATF6830	14.42 (1.34)	19.40 (1.80)
ATF6834	16.44 (1.53)	21.60 (2.01)
ATF7010	2.45 (0.23)	6.50 (0.60)

Window Number	Glass Area Sq. Ft./ (m ²)	Overall Window Area Sq. Ft./ (m ²)
ATF7014	4.57 (0.42)	8.82 (0.82)
ATF7016	5.64 (0.52)	9.97 (0.93)
ATF7018	6.70 (0.62)	11.13 (1.03)
ATF70110	7.77 (0.72)	12.29 (1.14)
ATF7020	8.83 (0.82)	13.44 (1.25)
ATF7022	9.89 (0.92)	14.60 (1.36)
ATF7024	10.96 (1.02)	15.75 (1.46)
ATF7026	12.02 (1.12)	16.91 (1.57)
ATF7028	13.09 (1.22)	18.07 (1.68)
ATF7030	15.21 (1.41)	20.38 (1.89)
ATF7034	17.34 (1.61)	22.69 (2.11)
ATF7410	2.57 (0.24)	6.82 (0.63)
ATF7414	4.81 (0.45)	9.24 (0.86)
ATF7416	5.93 (0.55)	10.45 (0.97)
ATF7418	7.05 (0.65)	11.66 (1.08)
ATF74110	8.17 (0.76)	12.88 (1.20)
ATF7420	9.29 (0.86)	14.09 (1.31)
ATF7422	10.41 (0.97)	15.03 (1.40)
ATF7424	11.53 (1.07)	16.51 (1.53)
ATF7426	12.65 (1.18)	17.72 (1.65)
ATF7428	13.77 (1.28)	18.93 (1.76)
ATF7430	16.01 (1.49)	21.36 (1.98)
ATF7434	18.25 (1.70)	23.78 (2.21)
ATF7810	2.70 (0.25)	7.13 (0.66)
ATF7814	5.05 (0.47)	9.66 (0.90)
ATF7816	6.23 (0.58)	10.93 (1.02)
ATF7818	7.40 (0.69)	12.20 (1.13)
ATF78110	8.58 (0.80)	13.47 (1.25)
ATF7820	9.75 (0.91)	14.73 (1.37)
ATF7822	10.93 (1.02)	16.00 (1.49)
ATF7824	12.10 (1.12)	17.27 (1.60)
ATF7826	13.28 (1.23)	18.54 (1.72)
ATF7828	14.45 (1.34)	19.80 (1.84)
ATF7830	16.80 (1.56)	22.34 (2.08)
ATF7834	19.15 (1.78)	24.87 (2.31)
ATF8010	2.83 (0.26)	7.44 (0.69)
ATF8014	5.29 (0.49)	10.09 (0.94)
ATF8016	6.52 (0.61)	11.41 (1.06)
ATF8018	7.75 (0.72)	12.73 (1.18)
ATF80110	8.98 (0.83)	14.06 (1.31)
ATF8020	10.21 (0.95)	15.38 (1.43)
ATF8022	11.44 (1.06)	16.70 (1.55)
ATF8024	12.67 (1.18)	18.02 (1.67)
ATF8026	13.91 (1.29)	19.35 (1.80)
ATF8028	15.14 (1.43)	20.67 (1.92)
ATF8030	17.60 (1.64)	23.32 (2.17)
ATF8034	20.06 (1.86)	26.96 (2.50)

• Dimensions in parentheses are in square meters.

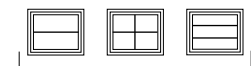
Grille Patterns

	Diamond	Prairie A	Colonial
Transom			

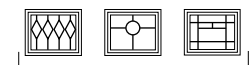
Number of lights and overall pattern varies with window size. Patterns shown may not be available for all sizes.

Specified equal light and custom patterns are also available.

For more information on divided light, see pages 12-13 or visit andersenwindows.com/grilles.



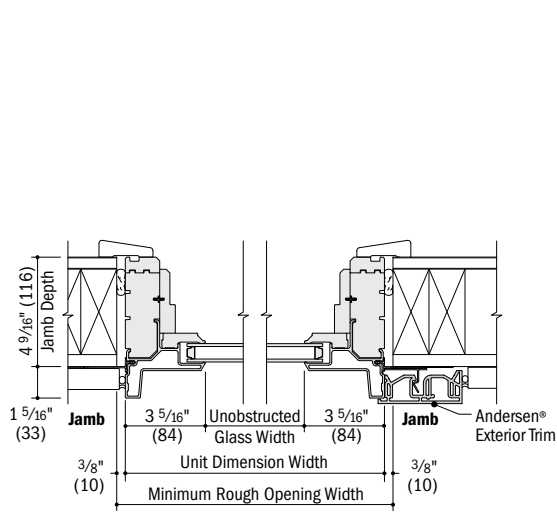
Specified Equal Light Examples



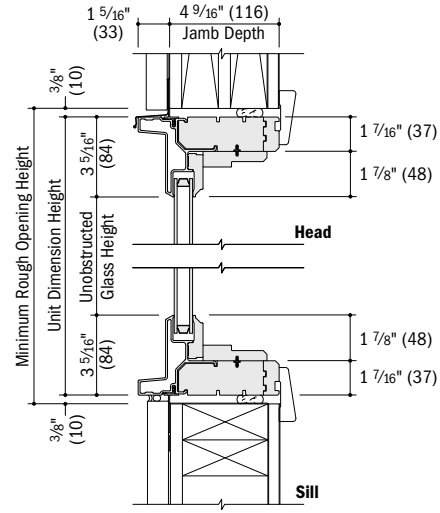
Custom Pattern Examples

Fixed Transom Window Details

Scale 1 1/2" (38) = 1'-0" (305) – 1:8



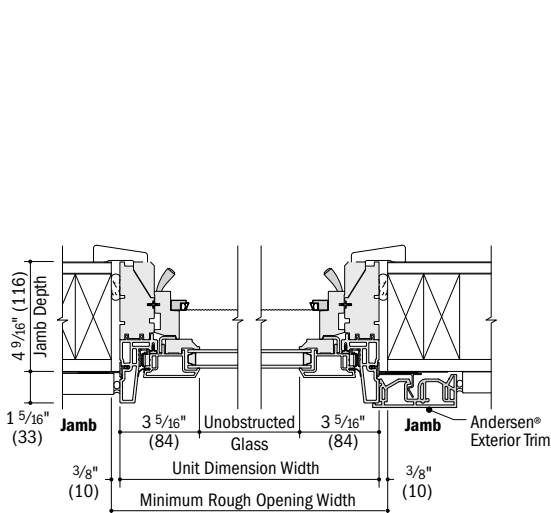
Horizontal Section



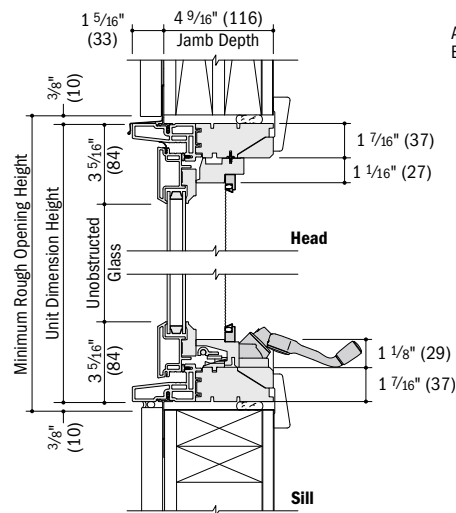
Vertical Section

Venting Transom Window Details

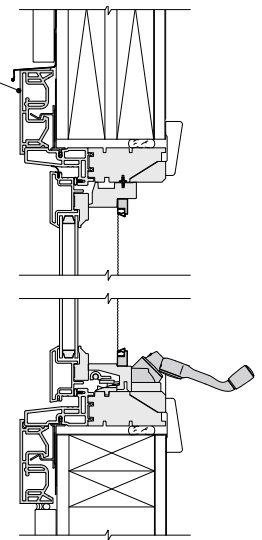
Scale 1 1/2" (38) = 1'-0" (305) – 1:8



Horizontal Section



Vertical Section



Vertical Section

A-Series
Transom Windows

See pages 64-66 for horizontal and vertical joining details.

- 4 9/16" (116) jamb depth measurement is from back side of installation flange.
- Light-colored areas are parts included with window. Dark-colored areas are additional Andersen® parts required to complete window assembly as shown.
- Dimensions in parentheses are in millimeters.
- Rough openings may need to be increased to allow for use of building wraps, flashing, sill panning, brackets, fasteners or other items. See installation information on pages 236-237.
- Details are for illustration only and are not intended to represent product installation methods or materials. Refer to product installation guides at andersenwindows.com.

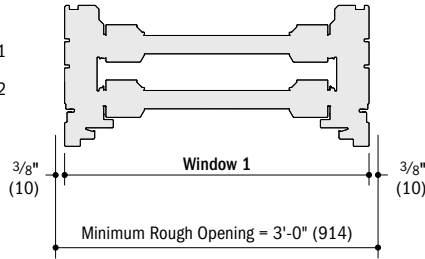
WINDOWS

Minimum Rough Opening Calculation Examples

Single Window

- 2'-11 1/4" (895) Width dimension, window 1
- + 3/8" (10) Rough opening clearance, side 1
- + 3/8" (10) Rough opening clearance, side 2

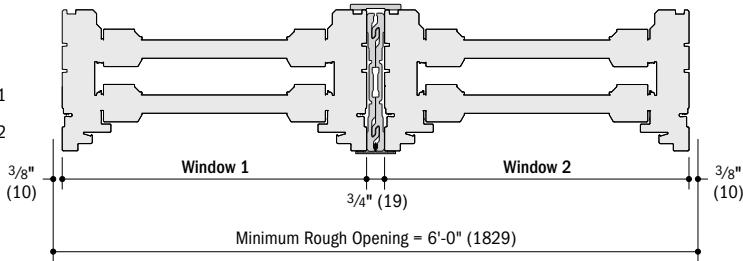
- 3'-0" (914) Total**



Two Vertical Joined Windows

- 2'-11 1/4" (895) Width dimension, window 1
- 2'-11 1/4" (895) Width dimension, window 2
- + 3/8" (10) Rough opening clearance, side 1
- + 3/8" (10) Rough opening clearance, side 2
- + 3/4" (19) Fiberglass joining material

- 6'-0" (1829) Total**

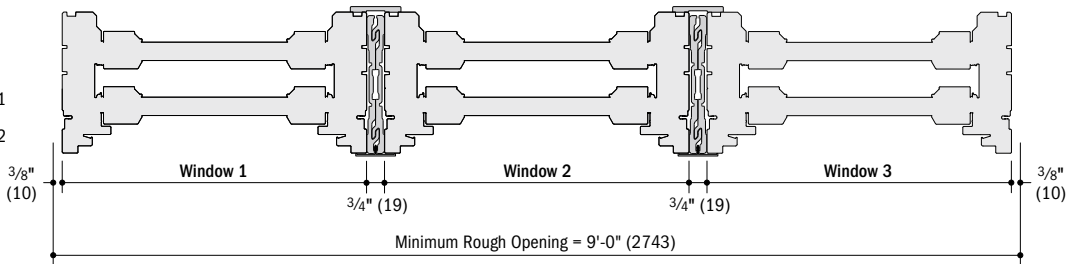


For factory-joined windows modular sizing allows for easy calculating.

Three Vertical Joined Windows

- 2'-11 1/4" (895) Width dimension, window 1
- 2'-11 1/4" (895) Width dimension, window 2
- 2'-11 1/4" (895) Width dimension, window 3
- + 3/8" (10) Rough opening clearance, side 1
- + 3/8" (10) Rough opening clearance, side 2
- + 3/4" (19) Fiberglass joining material
- + 3/4" (19) Fiberglass joining material

- 9'-0" (2743) Total**



- Dimensions in parentheses are in millimeters.
- Rough openings may need to be increased to allow for use of building wraps, flashing, sill panning, brackets, fasteners or other items.
- Details are for illustration only and are not intended to represent product installation methods or materials. Refer to product installation guides at andersenwindows.com.

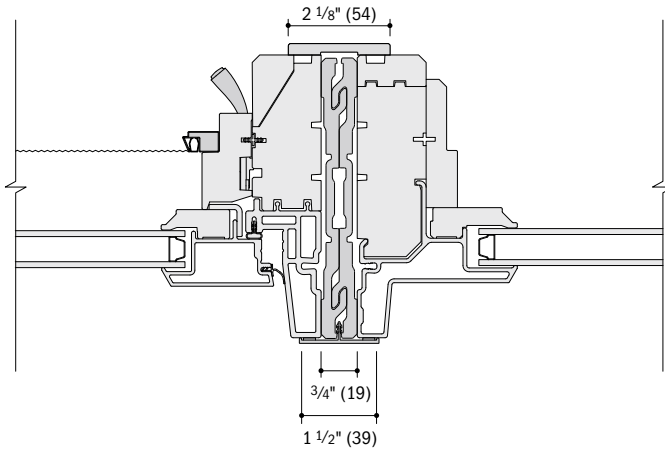
Vertical (ribbon) Joining Details

Scale 3" (76) = 1'-0" (305) – 1:4

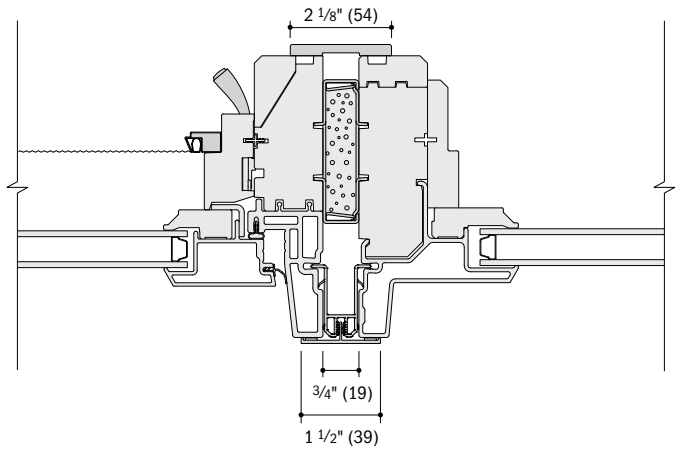
Windows can be joined to other windows using 4 9/16" (116) fiberglass or clip joining materials. See page 116 for specialty window joining details.

Overall Window Dimension Width Sum of individual window widths plus 3/4" (19).

Overall Minimum Rough Opening Width Overall window dimension width plus 3/4" (19).



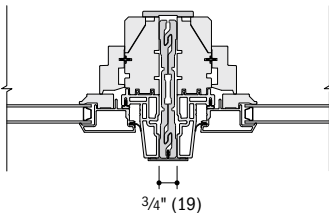
Casement to Picture
Fiberglass



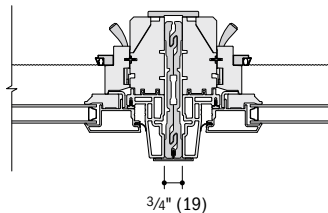
Casement to Picture
Clip

Vertical (ribbon) Fiberglass Joining Details

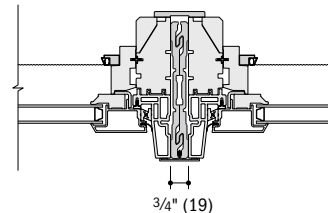
Scale 1 1/2" (38) = 1'-0" (305) – 1:8



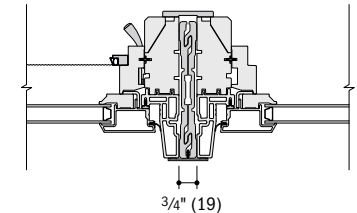
Casement to Casement
(stationary jamb to stationary jamb)



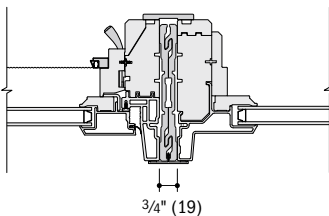
Casement to Casement
(lock jamb to lock jamb)



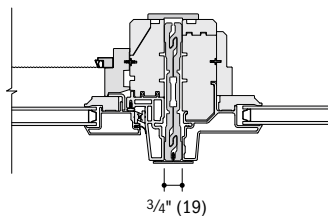
Casement to Casement
(hinge jamb to hinge jamb)



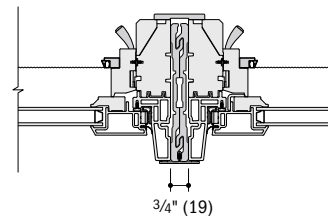
Casement to Casement
(lock jamb to stationary jamb)



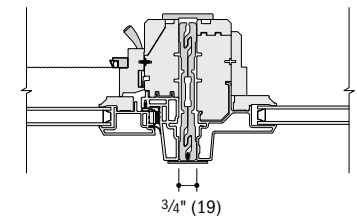
Casement to Picture
(casement lock jamb)



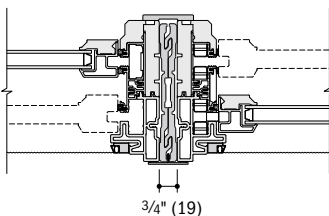
Casement to Picture
(casement hinge jamb)



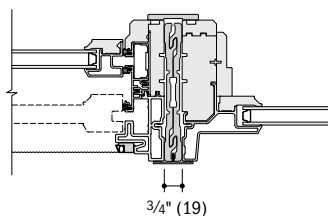
Awning to Awning



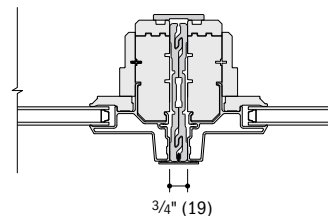
Awning to Picture



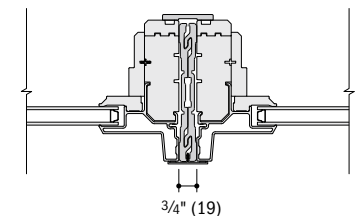
Double-Hung to Double-Hung



Double-Hung to Picture



Picture to Picture



Fixed Transom to Fixed Transom

- Light-colored areas are parts included with window. Dark-colored areas are additional Andersen® parts required to complete window assembly as shown.
- Dimensions in parentheses are in millimeters.
- **Rough openings may need to be increased to allow for use of building wraps, flashing, sill panning, brackets, fasteners or other items.**
- Details are for illustration only and are not intended to represent product installation methods or materials. Refer to product installation guides at andersenwindows.com.
- For clip joining material, structural performance of any combination is only as high as the lowest structural performance of any individual window or join in the combination.

WINDOWS

Horizontal (stack) Joining Details

Scale 3" (76) = 1'-0" (305) – 1:4

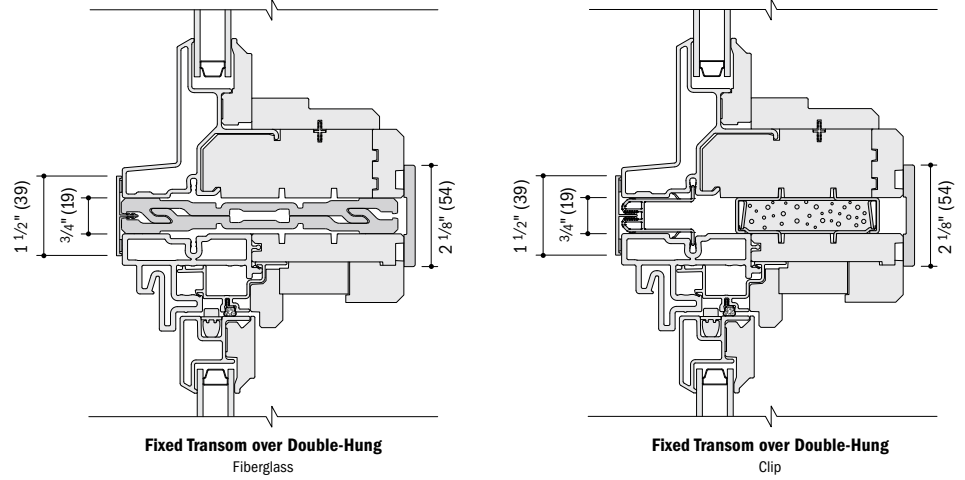
Windows can be joined to other windows using 4 9/16" (116) fiberglass or clip joining materials.
See page 116 for specialty window joining details.

Overall Window Dimension Height

Sum of individual window heights plus 3/4" (19).

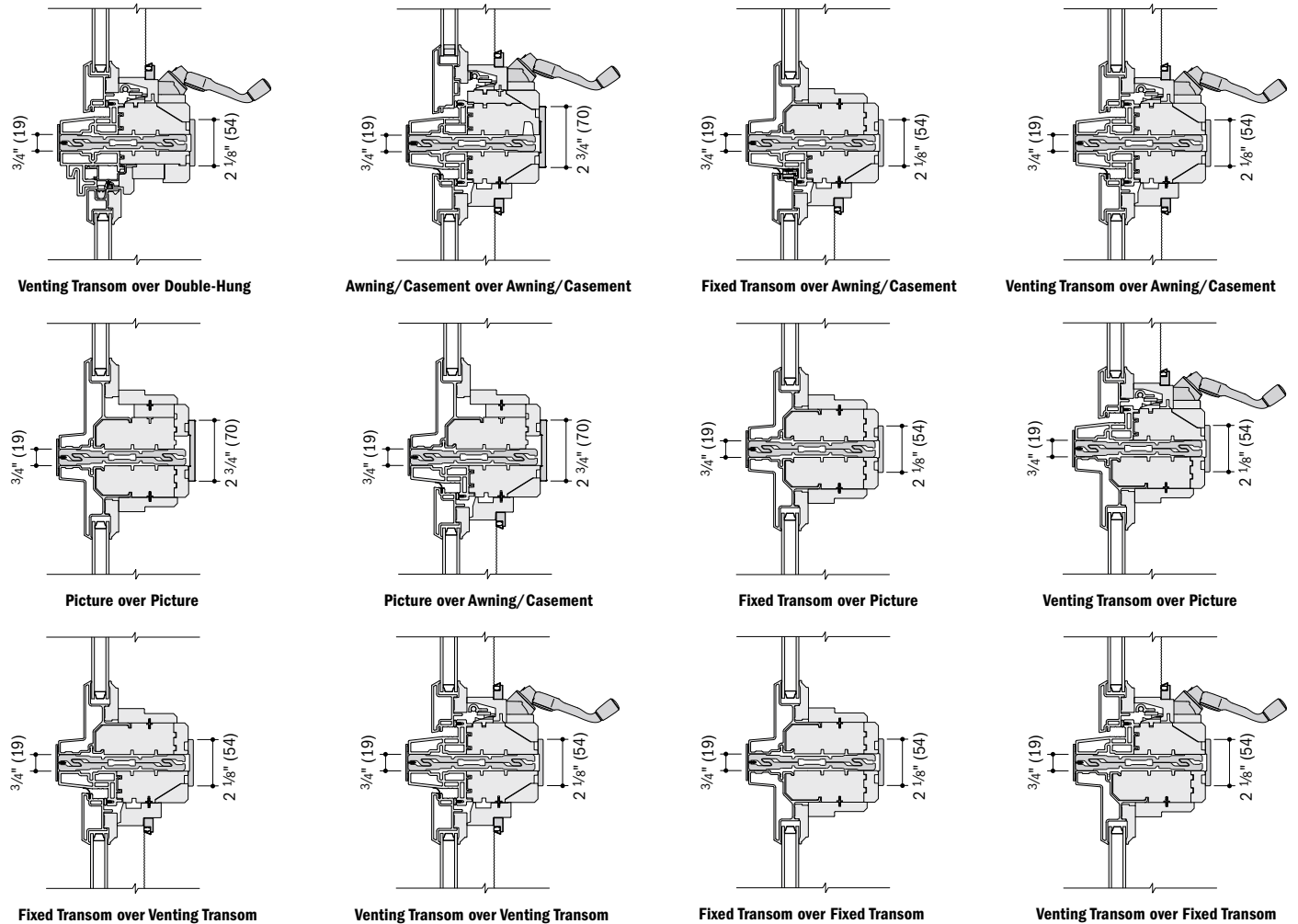
Overall Minimum Rough Opening Height

Overall window dimension height plus 3/4" (19).



Horizontal (stack) Fiberglass Joining Details

Scale 1 1/2" (38) = 1'-0" (305) – 1:8



For more information on vertical or horizontal joining, refer to the combination designs section starting on page 206.

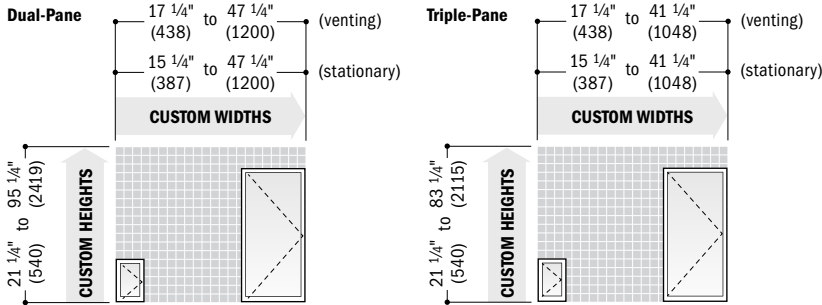
- Light-colored areas are parts included with window. Dark-colored areas are additional Andersen® parts required to complete window assembly as shown.
- Dimensions in parentheses are in millimeters.
- Rough openings may need to be increased to allow for use of building wraps, flashing, sill panning, brackets, fasteners or other items.
- Details are for illustration only and are not intended to represent product installation methods or materials. Refer to product installation guides at andersenwindows.com.
- For clip joining material, structural performance of any combination is only as high as the lowest structural performance of any individual window or join in the combination.

Custom Sizes & Specification Formulas



A-Series windows are available in 1/8" (3) increments between minimum and maximum widths and heights shown. Some restrictions apply. Contact your Andersen supplier for custom-sized specialty windows.

Casement Windows

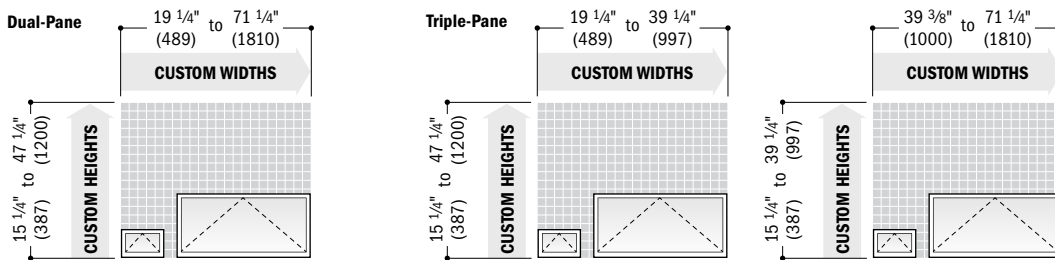


Required hinge type for casement windows is based on size and window performance. To determine which clear opening formula to use, first contact an Andersen representative to identify the required hinge type.

	Clear Opening Width = window width - 9.42" (239) = window width - 6.76" (172) = window width - 10.94" (278) = 0.95" (24) x (window width - 9.34" (237)) Height = window height - 5.65" (144)	Split-arm operator and 10" (254) standard hinge Straight-arm operator and 10" (254) egress hinge Split-arm operator and 13" (330) standard hinge Split-arm operator, 13" (330) standard hinge 72" vent limiter All units with 14" (356) operator and 13" (330) egress hinge meet the egress clear width, height and square foot requirements. Units with 12" (305) operator and 13" (330) egress hinge do not meet egress.		Minimum R.O. Width = window width + 3/4" (19) Height = window height + 3/4" (19)
	Vent Opening Width = window width - 6.54" (166) = window width - 5.65" (144)	Unobstr. Glass Height = window height - 6.65" (169) Width = window width - 7.45" (189)		

All casement windows wider than 2'-3 1/4" (692) and taller than 3'-11 1/4" (1200) meet or exceed clear opening area of 5.7 sq. ft. or .53 m², clear opening width of 20" (508) and clear opening height of 24" (610).

Awning Windows



	Clear Opening Width = window width - 4.94" (125) Height = 5.88" (149)		Minimum R.O. Width = window width + 3/4" (19) Height = window height + 3/4" (19)
	Vent Opening Width = window width - 4.94" (125) Height = 5.88" (149)		Unobstr. Glass Width = window width - 6.65" (169) Height = window height - 7.45" (189)

Awning windows do not meet clear opening area of 5.7 sq.ft. or 0.53 m², clear opening width of 20" (508) and clear opening height of 24" (610).

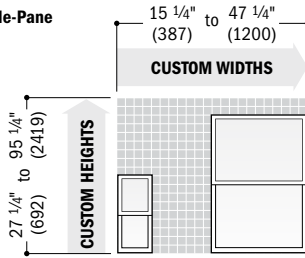
Dimensions in parentheses are in millimeters. Clear Opening formulas provide dimensions for determining area available for egress. Vent Opening formulas provide dimensions for determining area available for passage of air. Minimum R.O. (minimum rough opening) formulas provide minimum rough opening width and height dimensions. Unobstr. Glass (unobstructed glass) formulas provide dimensions for determining area available for passage of light.

WINDOWS

Double-Hung Windows

Equal Sash Ratio

Dual-Pane & Triple-Pane



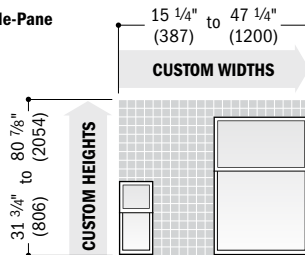
Clear Opening*	Width = window width - 4.06" (103) Height = (window height + 2) - 4.65" (118)	Minimum R.O.	Width = window width + 3/4" (19) Height = window height + 3/4" (19)
Vent Opening*	Width = window width - 4.06" (103) Height = (window height + 2) - 3.84" (98)	Unobstr. Glass	Width = window width - 6.65" (169) Single Sash Height = (window height - 9.65" (245)) + 2 Total Sash Height = window height - 9.65" (245)

- Windows wider than 3'-1 1/4" (946) and taller than 4'-11 1/4" (1505) meet or exceed clear opening area of 5.7 sq. ft. or .053 m², clear opening width of 20" (508) and clear opening height of 24" (610).
- Two locks are standard for windows with triple-pane glass or Andersen® art glass on sizes wider than 1'-7 1/8" (486).
- Two locks are standard for windows with dual-pane glass on sizes wider than 3'-3 1/4" (997).

*Windows with triple-pane or art glass wider than 2'-11 1/4" (895) and taller than 5'-11 1/4" (1810) may have limited sash travel. Contact your Andersen supplier for clear opening and vent opening specifications.

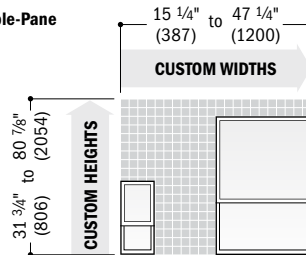
2:3 Cottage Sash Ratio

Dual-Pane & Triple-Pane



3:2 Reverse Cottage Sash Ratio

Dual-Pane & Triple-Pane

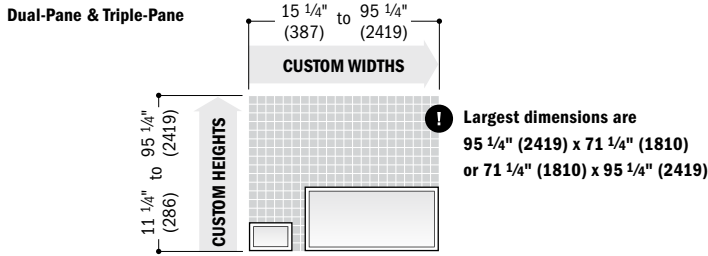


Clear Opening*	Width = window width - 4.06" (103) Height = (window height - 4.18" (106)) x 0.4 - 2.01" (51)	Minimum R.O.	Width = window width + 3/4" (19) Height = window height + 3/4" (19)
Vent Opening*	2:3 Cottage Sash Ratio Width = window width - 4.06" (103) Height = (window height - 4.18" (106)) x 0.4 - 2.01" (51) + 0.8" (20)	Unobstr. Glass	2:3 Cottage Sash Ratio Width = window width - 6.65" (169) Upper Sash Height = (window height - 9.65" (245)) x 0.4 Lower Sash Height = (window height - 9.65" (245)) x 0.6 Total Sash Height = window height - 9.65" (245)
	3:2 Reverse Cottage Sash Ratio Width = window width - 4.06" (103) Height = (window height - 4.18" (106)) x 0.4 - 2.01" (51) + 2.2" (56)		3:2 Reverse Cottage Sash Ratio Width = window width - 6.65" (169) Upper Sash Height = (window height - 9.65" (245)) x 0.6 Lower Sash Height = (window height - 9.65" (245)) x 0.4 Total Sash Height = window height - 9.65" (245)

- Two locks are standard for windows with triple-pane glass or Andersen® art glass on sizes wider than 1'-7 1/8" (486).
 - Two locks are standard for windows with dual-pane glass on sizes wider than 3'-3 1/4" (997).
- *Windows with triple-pane or art glass wider than 2'-11 1/4" (895) and taller than 4'-11 1/4" (1505) may have limited sash travel. Contact your Andersen supplier for clear opening and vent opening specifications.

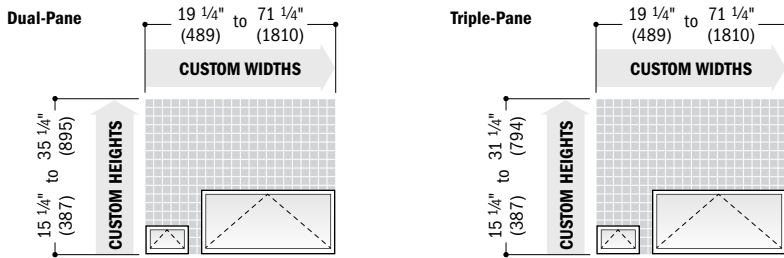
• Dimensions in parentheses are in millimeters.
• **Clear Opening** formulas provide dimensions for determining area available for egress. **Vent Opening** formulas provide dimensions for determining area available for passage of air. **Minimum R.O.** (minimum rough opening) formulas provide minimum rough opening width and height dimensions. **Unobstr. Glass** (unobstructed glass) formulas provide dimensions for determining area available for passage of light.

Fixed Transom Windows



	Minimum R.O.	Width = window width + 3/4" (19)		Unobstr. Glass	Width = window width - 6.65" (169)
		Height = window height + 3/4" (19)			Height = window height - 6.65" (169)

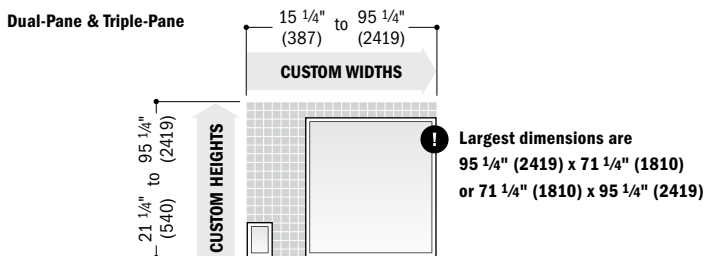
Venting Transom Windows



	Clear Opening	Width = window width - 4.94" (125)		Minimum R.O.	Width = window width + 3/4" (19)
		Height = 5.88" (149)			Height = window height + 3/4" (19)
	Vent Opening	Width = window width - 4.94" (125)		Unobstr. Glass	Height = window height - 6.65" (169)
		Height = 5.88" (149)			Width = window width - 6.65" (169)

• Venting transom windows do not meet clear opening area of 5.7 sq.ft. or 0.53 m², clear opening width of 20" (508) and clear opening height of 24" (610).

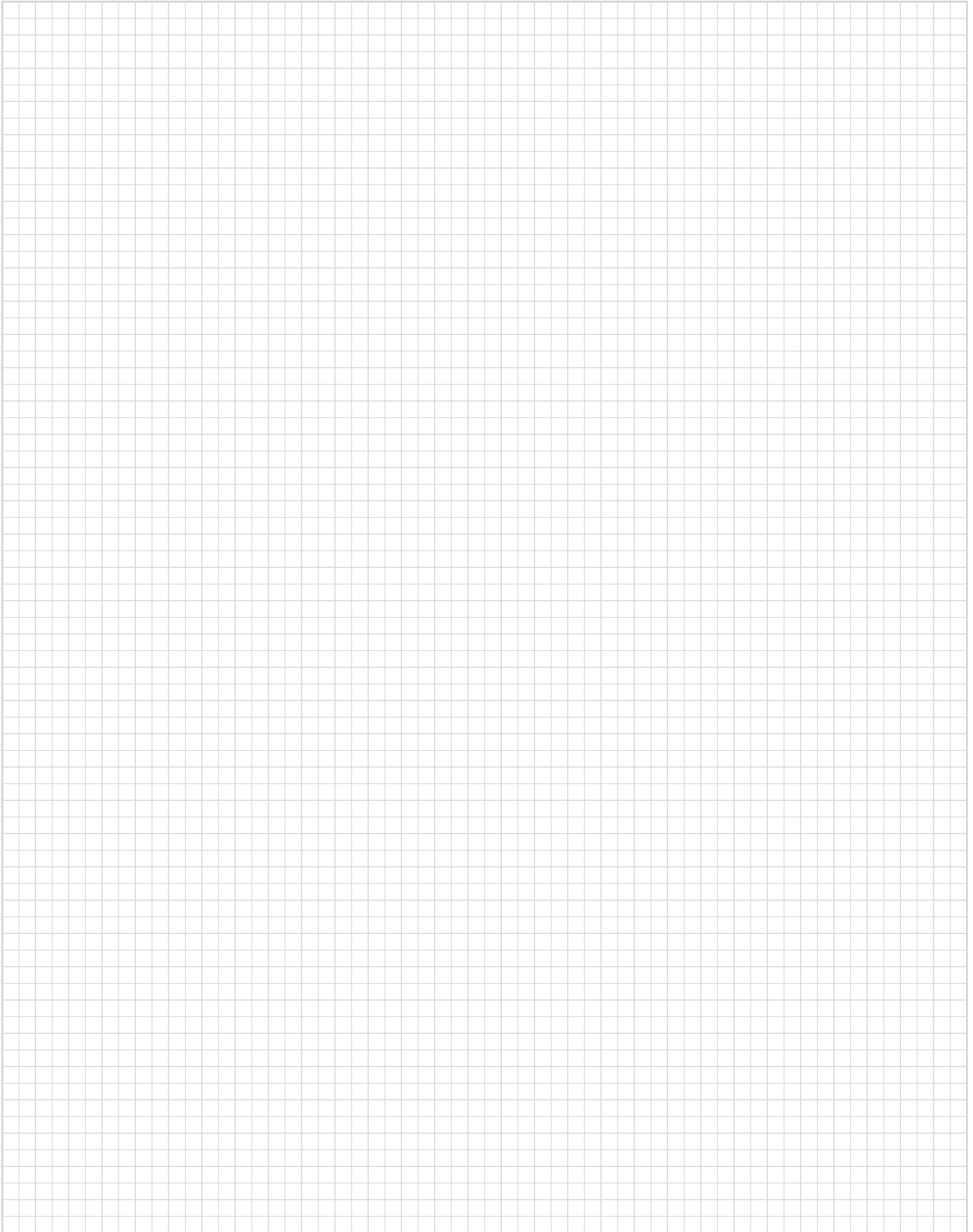
Picture Windows



	Minimum R.O.	Width = window width + 3/4" (19)		Unobstr. Glass	Width = window width - 6.65" (169)
		Height = window height + 3/4" (19)			Height = window height - 7.45" (189)

• Dimensions in parentheses are in millimeters.
• **Clear Opening** formulas provide dimensions for determining area available for egress. **Vent Opening** formulas provide dimensions for determining area available for passage of air. **Minimum R.O.** (minimum rough opening) formulas provide minimum rough opening width and height dimensions. **Unobstr. Glass** (unobstructed glass) formulas provide dimensions for determining area available for passage of light.

NOTES PAGE



SPECIALTY WINDOWS

CUSTOM SIZING
in 1/8" (3) increments



SECTION REFERENCE

Half Circle, Elliptical & Quarter Circle

Table of Sizes..... 74-77
Direct-Set Specifications 81-82
Sash-Set Specifications.....82-83
Grille Patterns 77

Unequal Leg Arch

Table of Sizes..... 78-79
Direct-Set Specifications 81-82
Sash-Set Specifications..... 82
Grille Patterns 79

Octagon, Circle & Oval

Table of Sizes..... 80
Direct-Set Specifications 81
Sash-Set Specifications..... 83
Grille Patterns 80

Trapezoid 83

Arch

Table of Sizes.....84-99
Direct-Set Specifications88-89, 94-95
Sash-Set Specifications98-101
Grille Patterns 109

Springline™

Table of Sizes..... 102-112
Direct-Set Specifications . 109-111
Sash-Set Specifications... 112-114
Grille Patterns 109

Window Details 115

Joining Details.....116

Combination Designs 206

Product Performance..... 214

Warranty.....238-240

Dimensions in parentheses are in millimeters.

SPECIALTY WINDOWS

FEATURES

Frame

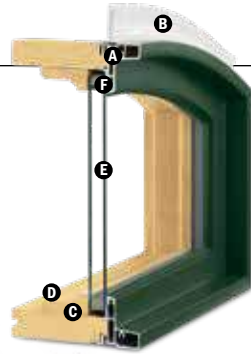
A Frame constructed with a wood core and protected with a heavy-duty extruded aluminum cladding. Standard cladding finish meets AAMA 2604. An optional finish that meets the AAMA 2605 standard is also available. This construction produces a rigid frame and a low-maintenance, durable exterior with no exposed ends.

B A vinyl installation flange extends 1 1/2" (38) around the perimeter of the unit to help properly position the unit in the opening. Installation clips are standard for increased structural anchoring to building members. Mounted around the frame perimeter, the clips rotate into position and can be bent into place against the framing members to suit all jamb conditions.

C Wood members are treated with a water-repellent preservative for long-lasting* protection and performance. Radii are made of laminated continuous veneers. Lineal components are solid or engineered wood with a pine core.

Sash

Available in direct-set or sash-set construction. Direct-set windows have glass glazed directly into the frame and maximize glass area. Sash-set windows feature a stationary sash and provide common sight lines with other A-Series operating windows. Sash constructed with a wood core and protected with a heavy-duty aluminum cladding. This construction produces a rigid sash and a low-maintenance, durable exterior.*



Direct-Set Window

Traditional architectural style:

- Classic chamfer detailing
- The look of mortise-and-tenon joinery

D Natural wood interiors are treated with a water-repellent wood preservative for long-lasting* protection and performance.

Glass

3/4" (19) dual-pane glass construction provides exceptional energy performance.

- Low-E4®
- Low-E4 HeatLock® glass
- Low-E4 Sun
- Low-E4 SmartSun™ glass
- Low-E4 SmartSun HeatLock glass

For even greater energy performance, 1" (25) triple-pane glass is available in these glass options:

- Low-E4 glass
- Low-E4 Enhanced glass
- Low-E4 Enhanced HeatLock glass
- Low-E4 SmartSun glass
- Low-E4 SmartSun Enhanced glass
- Low-E4 SmartSun Enhanced HeatLock glass

Tempered glass and other glass options are available. Contact your Andersen supplier.

F Silicone glazing fillet bead combined with two-sided silicone tape provides superior weathertightness.

A removable translucent film helps shield the glass from damage during delivery and construction and also simplifies finishing at the jobsite.

Patterned Glass

Patterned glass options are available. See page 18 for more details.



A-Series specialty windows are available with Stormwatch® protection. For a copy of the Andersen® Coastal Product Guide, go to andersenwindows.com/coastal or contact your Andersen supplier.

ACCESSORIES Sold Separately

Frame

Extension Jamb

Extension jambs are available in pine, maple, oak, cherry, mahogany** and vertical grain douglas fir, precut to fit your unit. Available in 1/16" (1.5) increments up to 7 7/8" (181) and can be prefinished in six stain colors as well as all interior painted options to match the interior of the unit. This option is also available factory applied.

Plinth Blocks

For enhancing casing transitions. Decorated with a radial sunburst, they can be reversed to reveal a flush face.



For arch windows, use 2 7/8" (73) x 4" (102) size plinth block with 2 1/4" (57) and 2 1/2" (64) casing. Use 3 7/8" (98) x 5 1/4" (133) size with 3 1/2" (89) casing.



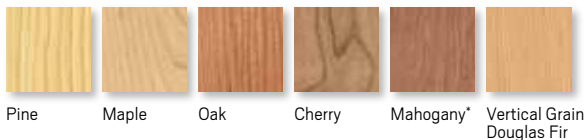
For half circle, circle, elliptical and oval windows, use 2 7/8" (73) size plinth block with 2 1/4" (57) and 2 1/2" (64) casing. Use 3 7/8" (98) size with 3 1/2" (89) casing.

EXTERIOR

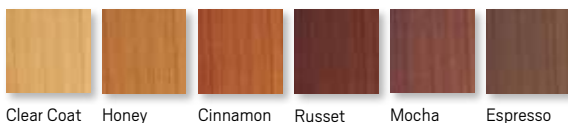


INTERIOR

WOOD SPECIES



FACTORY-FINISHED INTERIORS Shown on pine. Available on pine, maple and oak only.



Naturally occurring variations in grain, color and texture of wood make each window one of a kind. All wood interiors are unfinished unless a finish is specified.

PAINTED OPTIONS Available on pine.



Additional colors to match all 11 exterior colors are also available, contact your Andersen supplier.

* Visit andersenwindows.com/warranty for details.

** Actual wood is Sapele, a non-endangered species of mahogany grown in Africa, with color and characteristics similar to American mahoganies.

Dimensions in parentheses are in millimeters.

Printing limitations prevent exact duplication of colors and finishes. See your Andersen supplier for actual color and finish samples.

Interior Arch Casing

Available in Colonial or Ranch styles, each arch casing comes with transition blocks or plinth blocks, depending on the product. Additional profiles are also available. For easy integration and consistency, casing dimensions are consistent with Wood Moulding and Millwork Producers Association specifications. Available in pine, maple, oak, cherry, mahogany* and vertical grain douglas fir. Additional species are available.



2 ¼" (57) Colonial style. **WM366**



2 ½" (64) Colonial style. **WM351**



3 ½" (89) Colonial style. **WM444**



2 ¼" (57) Ranch style. **WM324**

2 ½" (64) Ranch style. **WM315**

Glass

Andersen® Art Glass

Andersen art glass panels come in a variety of original patterns shown on pages 14-15. See your Andersen supplier for the availability of art glass for specialty windows.

Grilles

Grilles are available in a variety of configurations and widths. See pages 12-13 for details.

Exterior Trim

This product is available with Andersen® Exterior Trim. See pages 173-178 for details.

SPECIALTY SHAPES

Andersen A-Series specialty windows are available in a variety of sizes. Profiles may vary dependent upon shape. Contact your Andersen supplier for specific sizes, details and joining information.



Arch



Half Circle



Quarter Circle



Springline™



Octagon



Trapezoid



Circle



Oval



Elliptical



Unequal Leg Arch

The additional A-Series specialty window shapes below are available by special order.



Rectangle



Right Triangle



Isosceles Triangle



Angled Pentagon



Peak Pentagon



Parallelogram



Hexagon



Diamond



Unequal Hexagon



Gothic



Springline™ Flanker



Extended Elliptical



Partial Extended Arch



Quatrefoil



Extended Gothic



Partial Arch



Partial Elliptical



Reverse Partial Eyebrow



Extended Reverse Partial Eyebrow



Extended Reverse Eyebrow



Quarter Arch



Eyebrow



Partial Eyebrow



Raised Eyebrow



Extended Raised Eyebrow

* Actual wood is Sapele, a non-endangered species of mahogany grown in Africa, with color and characteristics similar to American mahogonies. Dimensions in parentheses are in millimeters.

SPECIALTY WINDOWS

Table of Direct-Set Half Circle Window Sizes

Scale 1/8" (3) = 1'-0" (305) – 1:96

Notes on the next page also apply to this page.

Window Dimension	1'-11 1/4"	2'-0 1/8"	2'-3 1/4"	2'-5 1/4"	2'-6 1/8"
	(591)	(613)	(692)	(743)	(765)
Minimum Rough Opening	2'-0"	2'-1"	2'-4"	2'-6"	2'-7"
	(609)	(635)	(711)	(762)	(787)
Unobstructed Glass	18 7/8"	19 3/4"	22 15/16"	24 15/16"	25 13/16"
	(478)	(501)	(582)	(633)	(656)
11 5/8"	1'-0 1/16"	1'-1 5/8"	1'-2 5/8"	1'-3 1/16"	1'-3 1/16"
(295)	(306)	(346)	(371)	(383)	(383)
1'-0 3/8"	1'-0 13/16"	1'-2 3/8"	1'-3 3/8"	1'-3 13/16"	1'-3 13/16"
(314)	(325)	(365)	(391)	(402)	(402)
7 5/8"	8 1/16"	9 5/8"	10 5/8"	11 1/16"	11 1/16"
(194)	(205)	(244)	(270)	(281)	(281)
ATCTD20	ATCTD21	ATCTD24	ATCTD26	ATCTD27	
2'-7 1/4"	2'-8 1/8"	2'-8 3/8"	2'-9 1/4"	2'-11 1/4"	
(794)	(816)	(822)	(845)	(895)	
2'-8"	2'-9"	2'-9"	2'-10"	3'-0"	
(813)	(838)	(838)	(863)	(914)	
27"	27 13/16"	28 1/8"	29"	31"	
(685)	(707)	(714)	(736)	(787)	
1'-3 5/8"	1'-4 1/16"	1'-4 3/16"	1'-4 5/8"	1'-5 5/8"	
(397)	(408)	(411)	(422)	(448)	
1'-4 3/8"	1'-4 13/16"	1'-4 15/16"	1'-5 3/8"	1'-6 3/8"	
(416)	(427)	(430)	(441)	(467)	
11 5/8"	12 1/16"	12 3/16"	12 5/8"	13 5/8"	
(295)	(306)	(310)	(321)	(346)	
ATCTD28	ATCTD29	ATCTD29G*	ATCTD210	ATCTD30	
3'-0 1/8"	3'-1 1/4"	3'-2 1/8"	3'-2 3/8"	3'-3 1/4"	
(918)	(946)	(968)	(975)	(997)	
3'-1"	3'-2"	3'-3"	3'-3"	3'-4"	
(940)	(965)	(990)	(990)	(1016)	
31 7/8"	33"	33 7/8"	34 1/8"	35"	
(810)	(838)	(861)	(867)	(890)	
1'-6 1/16"	1'-6 5/8"	1'-7 1/16"	1'-7 3/16"	1'-7 5/8"	
(459)	(473)	(484)	(487)	(498)	
1'-6 13/16"	1'-7 3/8"	1'-7 13/16"	1'-7 15/16"	1'-8 3/8"	
(478)	(492)	(503)	(506)	(518)	
14 1/16"	14 5/8"	15 1/16"	15 3/16"	15 5/8"	
(357)	(371)	(383)	(386)	(397)	
ATCTD31	ATCTD32	ATCTD33	ATCTD33G*	ATCTD34	
3'-7 1/4"	3'-8 3/8"	3'-11 1/4"	4'-2 3/8"	4'-3 1/4"	
(1099)	(1127)	(1200)	(1280)	(1302)	
3'-8"	3'-9"	4'-0"	4'-3"	4'-4"	
(1117)	(1143)	(1219)	(1295)	(1321)	
39 1/16"	40 3/16"	43 1/16"	46 3/16"	47 1/8"	
(992)	(1020)	(1094)	(1174)	(1196)	
1'-9 5/8"	1'-10 3/16"	1'-11 5/8"	2'-1 3/16"	2'-1 5/8"	
(549)	(564)	(600)	(640)	(651)	
1'-10 3/8"	1'-10 15/16"	2'-0 3/8"	2'-1 15/16"	2'-2 3/8"	
(568)	(583)	(619)	(659)	(670)	
17 5/8"	18 3/16"	19 5/8"	21 3/16"	21 5/8"	
(448)	(462)	(498)	(538)	(549)	
ATCTD38	ATCTD39	ATCTD40	ATCTD43	ATCTD44	
4'-7 1/4"	4'-11 1/4"	5'-3 1/4"	5'-7 1/4"		
(1403)	(1505)	(1607)	(1708)		
4'-8"	5'-0"	5'-4"	5'-8"		
(1422)	(1524)	(1625)	(1727)		
51 1/8"	55 1/8"	59 1/8"	63 1/8"		
(1298)	(1400)	(1502)	(1603)		
2'-3 5/8"	2'-5 5/8"	2'-7 5/8"	2'-9 5/8"		
(702)	(752)	(803)	(854)		
2'-4 3/8"	2'-6 3/8"	2'-8 3/8"	2'-10 3/8"		
(721)	(772)	(822)	(873)		
23 5/8"	25 5/8"	27 5/8"	29 5/8"		
(600)	(651)	(702)	(752)		
ATCTD48	ATCTD50	ATCTD54	ATCTD58		
5'-11 1/4"	6'-3 1/4"	6'-7 1/4"	6'-11 1/4"		
(1810)	(1911)	(2013)	(2115)		
6'-0"	6'-4"	6'-8"	7'-0"		
(1829)	(1930)	(2032)	(2134)		
67 1/8"	71 1/8"	75 1/8"	79 1/8"		
(1705)	(1807)	(1909)	(2010)		
2'-11 5/8"	3'-1 5/8"	3'-3 5/8"	3'-5 5/8"		
(905)	(956)	(1006)	(1057)		
3'-0 3/8"	3'-2 3/8"	3'-4 3/8"	3'-6 3/8"		
(924)	(975)	(1026)	(1076)		
31 5/8"	33 5/8"	35 5/8"	37 5/8"		
(803)	(854)	(905)	(956)		
ATCTD60	ATCTD64	ATCTD68	ATCTD70		

• "Window Dimension" always refers to outside frame to frame dimension.
 • "Minimum Rough Opening" dimensions may need to be increased to allow for use of building wraps, flashing, sill panning, brackets, fasteners or other items. See pages 236-237 for more details.
 • Dimensions in parentheses are in millimeters.
 *Sized to fit over A-Series Frenchwood® Single-Panel Stationary Gliding Patio Door.

Table of Direct-Set Elliptical Window Sizes

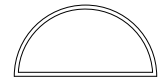
Scale 1/8" (3) = 1'-0" (305) – 1:96

Window Dimension	3'-11 1/4" (1200)	4'-3 1/4" (1302)	4'-7 1/4" (1403)
Minimum Rough Opening	4'-0" (1219)	4'-4" (1321)	4'-8" (1423)
Unobstructed Glass	41 9/16" (1056)	45 3/4" (1162)	50 3/8" (1280)
11 7/8" (302)	ATETD40	1'-0 5/8" (321)	1'-1 1/4" (337)
1'-0 5/8" (321)		1'-1 3/8" (340)	1'-2" (356)
7 7/8" (200)		8 5/8" (219)	9 1/4" (235)
4'-11 1/4" (1505)	ATETD44	5'-3 1/4" (1607)	5'-7 1/4" (1708)
5'-0" (1524)		5'-4" (1626)	5'-8" (1728)
54 11/16" (1390)		59 1/16" (1499)	63 3/16" (1604)
1'-2" (356)	ATETD50	1'-3 3/4" (375)	1'-3 1/2" (394)
1'-2 3/4" (375)		1'-3 1/2" (394)	1'-4 1/4" (413)
10" (254)		10 3/4" (273)	11 1/2" (292)
5'-11 1/4" (1810)	ATETD54	6'-3 1/4" (1911)	6'-7 1/4" (2013)
6'-0" (1828)		6'-4" (1930)	6'-8" (2033)
66 13/16" (1696)		70 13/16" (1799)	75 1/8" (1907)
1'-4 1/8" (410)	ATETD60	1'-4 7/8" (429)	1'-5 5/8" (448)
1'-4 7/8" (429)		1'-5 5/8" (448)	1'-6 3/8" (467)
12 1/8" (308)		12 7/8" (327)	13 5/8" (346)
6'-11 1/4" (2115)	ATETD64	7'-3 1/4" (2216)	7'-7 1/4" (2318)
7'-0" (2134)		7'-4" (2235)	7'-8" (2337)
79 3/16" (2011)		82 7/8" (2105)	86 1/2" (2173)
1'-6 3/8" (467)	ATETD70	1'-7" (483)	1'-7 3/4" (502)
1'-7 1/8" (486)		1'-7 3/4" (502)	1'-8 1/2" (521)
14 3/8" (365)		15" (381)	16 1/2" (419)
7'-10 7/16" (2399)	ATETD74	7'-11 1/4" (2419)	8'-0" (2438)
7'-11" (2413)		8'-0" (2438)	8'-1 1/8" (2457)
90 1/16" (2288)		90 7/8" (2309)	91 1/2" (2328)
1'-8 3/8" (518)	ATETD76	1'-9 1/8" (537)	1'-9 1/4" (540)
1'-9 1/8" (537)		1'-9 1/4" (540)	1'-10 1/8" (559)
16 3/8" (416)		16 1/2" (419)	17 1/4" (438)
8'-10 7/16" (2704)	ATETD80	8'-11" (2718)	9'-0" (2737)
8'-11" (2718)		9'-0" (2737)	9'-1 1/8" (2756)
102 1/8" (2594)		102 1/8" (2594)	102 3/4" (2638)
1'-10 1/2" (572)	ATETD81	1'-11 1/4" (591)	1'-11 1/2" (594)
1'-11 1/4" (591)		1'-11 1/2" (594)	1'-12 1/4" (613)
18 1/2" (470)		18 1/2" (470)	19 1/4" (489)

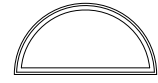


Custom-size windows are available in 1/8" (3) increments.

Contact your Andersen supplier for more information.



Direct-Set Half Circle



Sash-Set Half Circle



Direct-Set Elliptical



Sash-Set Elliptical

Direct-set half circle (ATCTD) and (ATETD) elliptical window sizes shown. Use window and minimum rough opening dimensions shown for sash-set half circle (ATCT) and elliptical (ATET) window sizes. For sash-set unobstructed glass dimensions, see page 82-83.

Details shown on page 115.

Grille patterns shown on page 77.

- "Window Dimension" always refers to outside frame to frame dimension.
- "Minimum Rough Opening" dimensions may need to be increased to allow for use of building wraps, flashing, sill panning, brackets, fasteners or other items. See pages 236-237 for more details.
- Dimensions in parentheses are in millimeters.

SPECIALTY WINDOWS

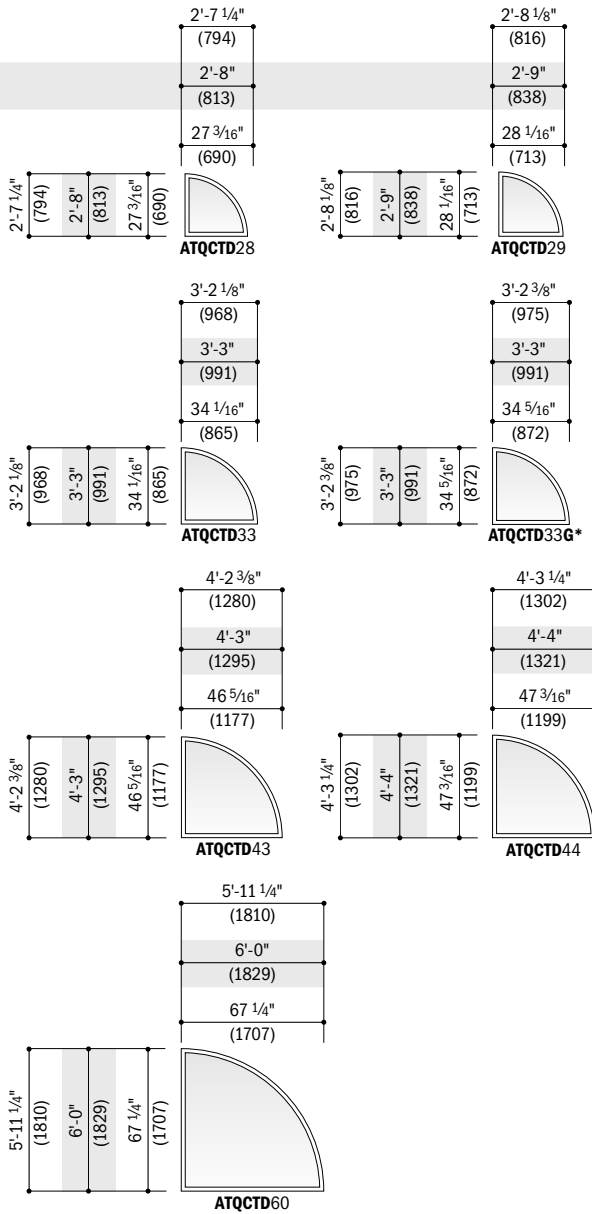
Table of Direct-Set Quarter Circle Window Sizes

Scale 1/8" (3) = 1'-0" (305) – 1:96

Notes on the next page also apply to this page.

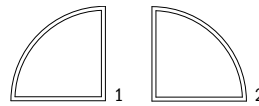
Window Dimension	1'-11 1/4"	2'-0 1/8"	2'-3 1/4"	2'-5 1/4"	2'-6 1/8"
Minimum Rough Opening	2'-0"	2'-1"	2'-4"	2'-6"	2'-7"
Unobstructed Glass	19 3/16"	20 1/16"	23 3/16"	25 3/16"	26 1/16"
	1'-11 1/4" (591)	2'-0 1/8" (613)	2'-3 1/4" (692)	2'-5 1/4" (743)	2'-6 1/8" (765)
	2'-0" (610)	2'-1" (635)	2'-4" (711)	2'-6" (762)	2'-7" (787)
	19 3/16" (487)	20 1/16" (509)	23 3/16" (589)	25 3/16" (639)	26 1/16" (662)
	ATQCTD20	ATQCTD21	ATQCTD24	ATQCTD26	ATQCTD27
	2'-8 3/8"	2'-9 1/4"	2'-11 1/4"	3'-0 1/8"	3'-1 1/4"
	2'-9"	2'-10"	3'-0"	3'-1"	3'-2"
	28 5/16"	29 3/16"	31 3/16"	32 1/16"	33 3/16"
	(719)	(741)	(792)	(814)	(843)
	ATQCTD29G*	ATQCTD210	ATQCTD30	ATQCTD31	ATQCTD32
	2'-8 3/8" (822)	2'-9 1/4" (845)	2'-11 1/4" (895)	3'-0 1/8" (918)	3'-1 1/4" (946)
	2'-9" (838)	2'-10" (864)	3'-0" (914)	3'-1" (940)	3'-2" (965)
	28 5/16" (719)	29 3/16" (741)	31 3/16" (792)	32 1/16" (814)	33 3/16" (843)
	ATQCTD29G*	ATQCTD210	ATQCTD30	ATQCTD31	ATQCTD32
	3'-3 1/4"	3'-5 1/4"	3'-7 1/4"	3'-8 3/8"	3'-11 1/4"
	3'-4"	3'-6"	3'-8"	3'-9"	4'-0"
	35 3/16"	37 3/16"	39 3/16"	40 5/16"	43 3/16"
	(894)	(945)	(996)	(1024)	(1097)
	ATQCTD34	ATQCTD36	ATQCTD38	ATQCTD39	ATQCTD40
	3'-3 1/4" (997)	3'-5 1/4" (1048)	3'-7 1/4" (1099)	3'-8 3/8" (1127)	3'-11 1/4" (1200)
	3'-4" (1016)	3'-6" (1067)	3'-8" (1118)	3'-9" (1143)	4'-0" (1219)
	35 3/16" (894)	37 3/16" (945)	39 3/16" (996)	40 5/16" (1024)	43 3/16" (1097)
	ATQCTD34	ATQCTD36	ATQCTD38	ATQCTD39	ATQCTD40
	4'-7 1/4"	4'-11 1/4"	5'-3 1/4"	5'-7 1/4"	
	4'-8"	5'-0"	5'-4"	5'-8"	
	51 1/4"	55 1/4"	59 1/4"	63 1/4"	
	(1301)	(1402)	(1504)	(1606)	
	ATQCTD48	ATQCTD50	ATQCTD54	ATQCTD58	
	4'-7 1/4" (1403)	4'-11 1/4" (1505)	5'-3 1/4" (1607)	5'-7 1/4" (1708)	
	4'-8" (1422)	5'-0" (1524)	5'-4" (1626)	5'-8" (1727)	
	51 1/4" (1301)	55 1/4" (1402)	59 1/4" (1504)	63 1/4" (1606)	
	ATQCTD48	ATQCTD50	ATQCTD54	ATQCTD58	
	6'-3 1/4"	6'-7 1/4"	6'-11 1/4"		
	6'-4"	6'-8"	7'-0"		
	71 1/4"	75 1/4"	79 1/4"		
	(1809)	(1911)	(2012)		
	ATQCTD64	ATQCTD68	ATQCTD70		
	6'-3 1/4" (1911)	6'-7 1/4" (2013)	6'-11 1/4" (2115)		
	6'-4" (1930)	6'-8" (2032)	7'-0" (2134)		
	71 1/4" (1809)	75 1/4" (1911)	79 1/4" (2012)		
	ATQCTD64	ATQCTD68	ATQCTD70		
	6'-6 1/4" (1911)	6'-8" (2032)	6'-11 1/4" (2115)		
	6'-6" (1930)	6'-8" (2032)	7'-0" (2134)		
	71 1/4" (1809)	75 1/4" (1911)	79 1/4" (2012)		
	ATQCTD64	ATQCTD68	ATQCTD70		

• "Window Dimension" always refers to outside frame to frame dimension.
 • "Minimum Rough Opening" dimensions may need to be increased to allow for use of building wraps, flashing, sill panning, brackets, fasteners or other items. See pages 236-237 for more details.
 • Dimensions in parentheses are in millimeters.
 • *Sized to fit over A-Series Frenchwood® Single-Panel Stationary Gliding Patio Door.

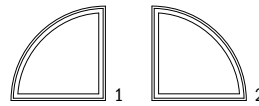


Custom-size windows are available in 1/8" (3) increments.

Contact your Andersen supplier for more information.



Direct-Set Quarter Circle



Sash-Set Quarter Circle

Direct-set (ATQCTD) window sizes shown. Choose left facing (1) or right facing (2) as viewed from the exterior.

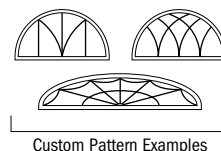
Use window and minimum rough opening dimensions shown for sash-set (**ATQCT**) window sizes. For sash-set unobstructed glass dimensions, see page 83.

Details shown on page 115.

Grille Patterns

	Colonial	Renaissance	Sunburst
Half Circle			
Quarter Circle			
Elliptical			

Number of lights and overall pattern varies with window size. Patterns are not available in all configurations. Specified equal light and custom patterns are also available. For more information on divided light, see pages 12-13 or visit andersenwindows.com/grilles.



Custom Pattern Examples

- "Window Dimension" always refers to outside frame to frame dimension.
- "Minimum Rough Opening" dimensions may need to be increased to allow for use of building wraps, flashing, sill panning, brackets, fasteners or other items. See pages 236-237 for more details.
- Dimensions in parentheses are in millimeters.
- Sized to fit over A-Series Frenchwood® Single-Panel Stationary Gliding Patio Door.

SPECIALTY WINDOWS

Table of Direct-Set Unequal Leg Arch Window Sizes

Scale 1/8" (3) = 1'-0" (305) – 1:96

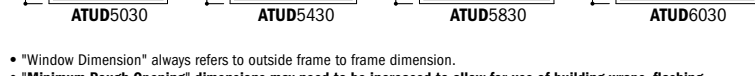
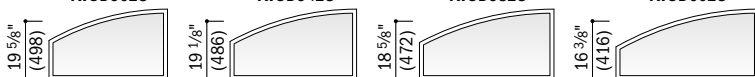
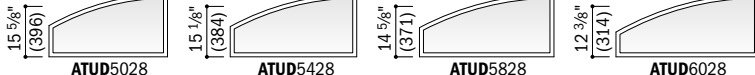
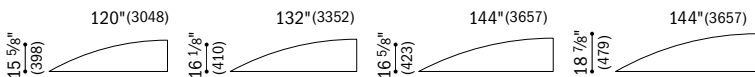
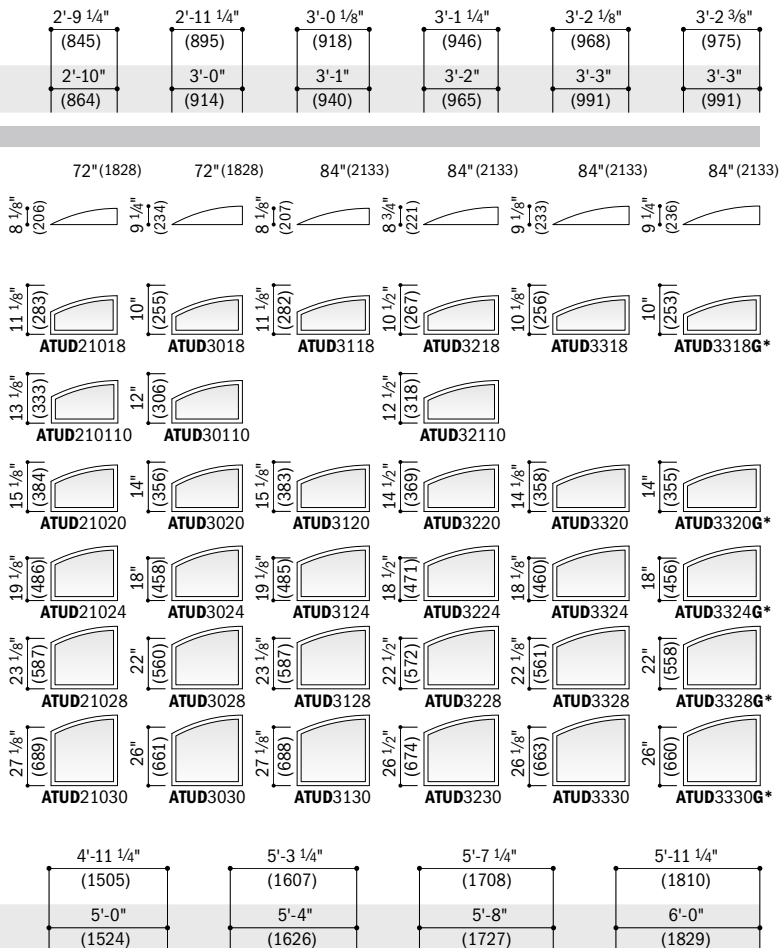
Notes on the next page also apply to this page.

Window Dimension	1'-3 1/4" (387)	1'-7 1/4" (489)	1'-11 1/4" (591)	2'-0 1/8" (613)	2'-3 1/4" (692)	2'-5 1/4" (743)	2'-6 1/8" (765)	2'-7 1/4" (794)	2'-8 1/8" (816)	2'-8 3/8" (822)
Minimum Rough Opening	1'-4" (406)	1'-8" (508)	2'-0" (610)	2'-1" (635)	2'-4" (711)	2'-6" (762)	2'-7" (787)	2'-8" (813)	2'-9" (838)	2'-9" (838)

		CUSTOM SIZES AVAILABLE										
		36" (914)	42" (1067)	48" (1219)	60" (1524)	60" (1524)	60" (1524)	66" (1676)	66" (1676)	66" (1676)	66" (1676)	
		Radius	Chord Height									
		3 3/8" (86)	4 5/8" (118)	6" (152)	5 1/16" (129)	6 1/2" (166)	7 5/8" (194)	7 1/4" (185)	7 1/8" (181)	8 3/8" (212)	8 1/2" (216)	
Window Dimension	Minimum Rough Opening	Shoulder Height										
		1'-7 1/4" (489)	1'-7 1/4" (489)	1'-8" (508)	1'-11 1/4" (591)	2'-0 1/8" (613)	2'-3 1/4" (692)	2'-5 1/4" (743)	2'-6 1/8" (765)	2'-7 1/4" (794)	2'-8 1/8" (816)	2'-8 3/8" (822)
		1'-9 1/4" (437)	1'-9 1/4" (437)	1'-10" (559)	1'-11 1/4" (591)	2'-0" (610)	2'-3 1/4" (692)	2'-4" (711)	2'-7 1/4" (794)	2'-8" (813)	2'-8 1/8" (816)	2'-8 3/8" (822)
		1'-11 1/4" (591)	1'-11 1/4" (591)	2'-0" (610)	2'-3 1/4" (692)	2'-4" (711)	2'-7 1/4" (794)	2'-8" (813)	2'-8 1/8" (816)	2'-8 3/8" (822)	2'-9" (838)	2'-9" (838)
		2'-3 1/4" (692)	2'-3 1/4" (692)	2'-4" (711)	2'-7 1/4" (794)	2'-8" (813)	2'-8 1/8" (816)	2'-8 3/8" (822)	2'-9" (838)	2'-9" (838)	2'-9" (838)	2'-9" (838)
		2'-11 1/4" (895)	2'-11 1/4" (895)	3'-0" (914)	3'-0" (914)	3'-0" (914)	3'-0" (914)	3'-0" (914)	3'-0" (914)	3'-0" (914)	3'-0" (914)	3'-0" (914)
		ATUD1418	ATUD1818	ATUD2018	ATUD2118	ATUD2418	ATUD2618	ATUD2718	ATUD2818	ATUD2918	ATUD2918G*	
		ATUD14110	ATUD18110	ATUD20110		ATUD24110	ATUD26110		ATUD28110			
		ATUD1420	ATUD1820	ATUD2020	ATUD2120	ATUD2420	ATUD2620	ATUD2720	ATUD2820	ATUD2920	ATUD2920G*	
		ATUD1424	ATUD1824	ATUD2024	ATUD2124	ATUD2424	ATUD2624	ATUD2724	ATUD2824	ATUD2924	ATUD2924G*	
		ATUD1428	ATUD1828	ATUD2028	ATUD2128	ATUD2428	ATUD2628	ATUD2728	ATUD2828	ATUD2928	ATUD2928G*	
		ATUD1430	ATUD1830	ATUD2030	ATUD2130	ATUD2430	ATUD2630	ATUD2730	ATUD2830	ATUD2930	ATUD2930G*	

		CUSTOM SIZES AVAILABLE						
		84" (2133)	96" (2438)	96" (2438)	96" (2438)	108" (2743)	108" (2743)	120" (3048)
		Radius	Chord Height					
		9 3/4" (247)	10 1/4" (261)	10 7/8" (276)	12 1/16" (316)	12 1/2" (317)	12 15/16" (329)	13 1/2" (342)
Window Dimension	Minimum Rough Opening	Shoulder Height						
		3'-3 1/4" (997)	3'-7 1/4" (1099)	3'-8 3/8" (1127)	3'-11 1/4" (1200)	4'-2 3/8" (1280)	4'-3 1/4" (1302)	4'-7 1/4" (1403)
		3'-4" (1016)	3'-4" (1016)	3'-8" (1118)	3'-9" (1143)	4'-0" (1219)	4'-3" (1295)	4'-8" (1422)
		1'-7 1/4" (489)	1'-7 1/4" (489)	1'-8" (508)	1'-11 1/4" (591)	2'-0 1/8" (613)	2'-3 1/4" (692)	2'-5 1/4" (743)
		1'-9 1/4" (437)	1'-9 1/4" (437)	1'-10" (559)	1'-11 1/4" (591)	2'-0" (610)	2'-3 1/4" (692)	2'-4" (711)
		2'-3 1/4" (692)	2'-3 1/4" (692)	2'-4" (711)	2'-7 1/4" (794)	2'-8" (813)	2'-8 1/8" (816)	2'-8 3/8" (822)
		ATUD3418	ATUD3818	ATUD3918				
		ATUD34110	ATUD38110		ATUD40110		ATUD44110	ATUD48110
		ATUD3420	ATUD3820	ATUD3920	ATUD4020	ATUD4320	ATUD4420	ATUD4820
		ATUD3424	ATUD3824	ATUD3924	ATUD4024	ATUD4324	ATUD4424	ATUD4824
		ATUD3428	ATUD3828	ATUD3928	ATUD4028	ATUD4328	ATUD4428	ATUD4828
		ATUD3430	ATUD3830	ATUD3930	ATUD4030	ATUD4330	ATUD4430	ATUD4830

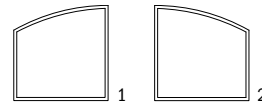
- * "Window Dimension" always refers to outside frame to frame dimension.
- * "Minimum Rough Opening" dimensions may need to be increased to allow for use of building wraps, flashing, sill panning, brackets, fasteners or other items. See pages 236-237 for more details.
- * Dimensions in parentheses are in millimeters.
- * Sized to fit over A-Series Frenchwood® Single-Panel Stationary Gliding Patio Door.



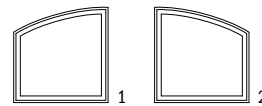
- "Window Dimension" always refers to outside frame to frame dimension.
- "Minimum Rough Opening" dimensions may need to be increased to allow for use of building wraps, flashing, sill panning, brackets, fasteners or other items. See pages 236-237 for more details.
- Dimensions in parentheses are in millimeters.
- Sized to fit over A-Series Frenchwood® Single-Panel Stationary Gliding Patio Door.



Custom-size windows are available in 1/8" (3) increments. Contact your Andersen supplier for more information.



Direct-Set Unequal Leg Arch



Sash-Set Unequal Leg Arch

Direct-set (ATUD) window sizes shown. Choose left facing (1) or right facing (2) as viewed from the exterior. Use window and minimum rough opening dimensions shown for sash-set (ATU) window sizes. For sash-set unobstructed glass dimensions, see page 82.

Details shown on page 115.

Grille Patterns

	Colonial	Renaissance	Sunburst
Unequal Leg Arch			

Number of lights and overall pattern varies with window size.

Patterns are not available in all configurations. Specified equal light and custom patterns are also available. For more information on divided light, see pages 12-13 or visit andersenwindows.com/grilles.

SPECIALTY WINDOWS

Table of Direct-Set Octagon Window Sizes

Scale 1/8" (3) = 1'-0" (305) – 1:96

Window Dimension	1'-11 1/4" (591)	2'-3 1/4" (692)	2'-11 1/4" (895)	3'-11 1/4" (1200)	5'-11 1/4" (1810)
Minimum Rough Opening	2'-0" (610)	2'-4" (711)	3'-0" (914)	4'-0" (1219)	6'-0" (1829)
Unobstructed Glass	19 1/4" (489)	23 1/4" (591)	31 1/4" (794)	43 1/4" (1099)	67 1/4" (1708)



ATOCD20



ATOCD24



ATOCD30



ATOCD40



ATOCD60



Custom-size octagon and circle windows are available in 1/8" (3) increments. Contact your Andersen supplier for more information. Oval windows are not available in custom sizes.

Table of Direct-Set Circle Window Sizes

Scale 1/8" (3) = 1'-0" (305) – 1:96

Window Dimension	1'-11 1/4" (591)	2'-3 1/4" (692)	2'-11 1/4" (895)	3'-11 1/4" (1200)	5'-11 1/4" (1810)
Minimum Rough Opening	2'-0" (610)	2'-4" (711)	3'-0" (914)	4'-0" (1219)	6'-0" (1829)
Unobstructed Glass	19 1/4" (489)	23 1/4" (591)	31 1/4" (794)	43 1/4" (1099)	67 1/4" (1708)



ACRD20



ACRD24



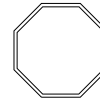
ACRD30



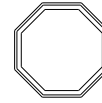
ACRD40



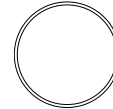
ACRD60



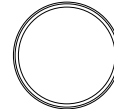
Direct-Set Octagon



Sash-Set Octagon



Direct-Set Circle



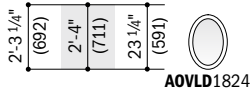
Sash-Set Circle

Direct-set octagon (ATOCD) and circle (ACRD) window sizes shown. Use window and minimum rough opening dimensions shown for sash-set octagon (ATOC) and sash-set circle (ACR) window sizes. For sash-set unobstructed glass dimensions, see page 83.

Table of Direct-Set Oval Window Sizes

Scale 1/8" (3) = 1'-0" (305) – 1:96

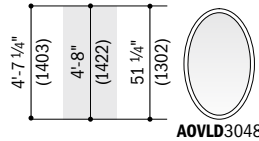
Window Dimension	1'-7 1/4" (489)	1'-11 1/4" (591)	2'-11 1/4" (895)
Minimum Rough Opening	1'-8" (508)	2'-0" (610)	3'-0" (914)
Unobstructed Glass	15 1/4" (387)	19 1/4" (489)	31 1/4" (794)



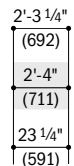
AOVLD1824



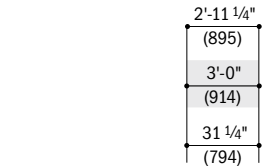
AOVLD2030



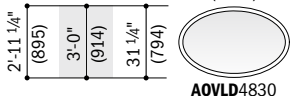
AOVLD3048



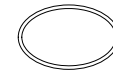
AOVLD2418



AOVLD3020



AOVLD4830

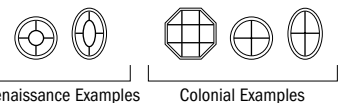


Direct-Set Oval

Oval windows are available direct-set only and can be installed either vertically or horizontally.

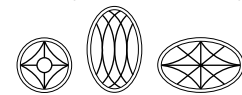
Details shown on page 115.

Grille patterns are available in Renaissance, colonial, sunburst, specified equal light and custom patterns. For more information on divided light, see pages 12-13 or visit andersenwindows.com/grilles.



Renaissance Examples

Colonial Examples



Custom Pattern Examples

- "Window Dimension" always refers to outside frame to frame dimension.
- "Minimum Rough Opening" dimensions may need to be increased to allow for use of building wraps, flashing, sill panning, brackets, fasteners or other items. See pages 236-237 for more details.
- Dimensions in parentheses are in millimeters.

Direct-Set Half Circle Window Area Specifications

Window Number	Glass Area Sq. Ft./ (m ²)
ATCTD20	0.75 (0.07)
ATCTD21	0.83 (0.08)
ATCTD24	1.15 (0.11)
ATCTD26	1.39 (0.13)
ATCTD27	1.50 (0.14)
ATCTD28	1.65 (0.15)
ATCTD29	1.77 (0.16)
ATCTD29G	1.80 (0.17)
ATCTD210	1.93 (0.18)
ATCTD30	2.23 (0.21)
ATCTD31	2.37 (0.22)
ATCTD32	2.55 (0.24)
ATCTD33	2.70 (0.25)
ATCTD33G	2.75 (0.26)
ATCTD34	2.90 (0.27)
ATCTD38	3.66 (0.34)
ATCTD39	3.89 (0.36)
ATCTD40	4.50 (0.42)
ATCTD43	5.22 (0.49)
ATCTD44	5.43 (0.50)
ATCTD48	6.45 (0.60)
ATCTD50	7.56 (0.70)
ATCTD54	8.75 (0.81)
ATCTD58	10.03 (0.93)
ATCTD60	11.40 (1.06)
ATCTD64	12.86 (1.19)
ATCTD68	14.40 (1.34)
ATCTD70	16.03 (1.49)

Direct-Set Elliptical Window Area Specifications

Window Number	Glass Area Sq. Ft./ (m ²)
ATETD40	1.69 (0.16)
ATETD44	2.01 (0.19)
ATETD48	2.57 (0.24)
ATETD50	2.86 (0.27)
ATETD54	3.41 (0.32)
ATETD58	3.98 (0.37)
ATETD60	4.27 (0.40)
ATETD64	4.82 (0.45)
ATETD68	5.60 (0.52)
ATETD70	6.26 (0.58)
ATETD74	6.62 (0.62)
ATETD711	7.92 (0.74)
ATETD80	8.00 (0.74)
ATETD811	10.13 (0.94)

Direct-Set Quarter Circle Window Area Specifications

Window Number	Glass Area Sq. Ft./ (m ²)
ATQCTD20	1.90 (0.18)
ATQCTD21	2.08 (0.19)
ATQCTD24	2.80 (0.26)
ATQCTD26	3.32 (0.31)
ATQCTD27	3.56 (0.33)
ATQCTD28	3.88 (0.36)

Window Number	Glass Area Sq. Ft./ (m ²)
ATQCTD29	4.14 (0.38)
ATQCTD29G	4.22 (0.39)
ATQCTD210	4.49 (0.42)
ATQCTD30	5.13 (0.48)
ATQCTD31	5.43 (0.50)
ATQCTD32	5.83 (0.54)
ATQCTD33	6.14 (0.57)
ATQCTD33G	6.23 (0.58)
ATQCTD34	6.56 (0.61)
ATQCTD36	7.34 (0.68)
ATQCTD38	8.16 (0.76)
ATQCTD39	8.64 (0.80)
ATQCTD40	9.94 (0.92)
ATQCTD43	11.45 (1.06)
ATQCTD44	11.89 (1.10)
ATQCTD48	14.01 (1.30)
ATQCTD50	16.31 (1.52)
ATQCTD54	18.79 (1.75)
ATQCTD58	21.44 (1.99)
ATQCTD60	24.26 (2.25)
ATQCTD64	27.26 (2.53)
ATQCTD68	30.43 (2.83)
ATQCTD70	33.78 (3.14)

Direct-Set Octagon Window Area Specifications

Window Number	Glass Area Sq. Ft./ (m ²)
ATOCD20	2.13 (0.20)
ATOCD24	3.11 (0.29)
ATOCD30	5.62 (0.52)
ATOCD40	10.76 (1.00)
ATOCD60	26.02 (2.42)

Direct-Set Circle & Oval Window Area Specifications

Window Number	Glass Area Sq. Ft./ (m ²)
ACRD20	2.02 (0.19)
ACRD24	2.95 (0.27)
ACRD30	5.33 (0.49)
ACRD40	10.20 (0.95)
ACRD60	24.67 (2.29)
AOVLD1824/AOVLD2418	1.93 (0.18)
AOVLD2030/AOVLD3020	3.27 (0.30)
AOVLD3048/AOVLD4830	8.71 (0.81)

Direct-Set Unequal Leg Arch Window Area Specifications

Window Number	Glass Area Sq. Ft./ (m ²)
ATUD1418	1.11 (0.10)
ATUD14110	1.27 (0.12)
ATUD1420	1.42 (0.13)
ATUD1424	1.74 (0.16)
ATUD1428	2.05 (0.19)
ATUD1430	2.36 (0.22)

Window Number	Glass Area Sq. Ft./ (m ²)
ATUD1818	1.46 (0.14)
ATUD18110	1.67 (0.16)
ATUD1820	1.89 (0.18)
ATUD1824	2.31 (0.21)
ATUD1828	2.73 (0.25)
ATUD1830	3.16 (0.29)
ATUD2018	1.79 (0.17)
ATUD20110	2.06 (0.19)
ATUD2020	2.32 (0.22)
ATUD2024	2.86 (0.27)
ATUD2028	3.39 (0.32)
ATUD2030	3.93 (0.36)
ATUD2118	1.91 (0.18)
ATUD2120	2.47 (0.23)
ATUD2124	3.03 (0.28)
ATUD2128	3.59 (0.33)
ATUD2130	4.15 (0.39)
ATUD2418	2.13 (0.20)
ATUD24110	2.45 (0.23)
ATUD2420	2.78 (0.26)
ATUD2424	3.42 (0.32)
ATUD2428	4.07 (0.38)
ATUD2430	4.71 (0.44)
ATUD2618	2.26 (0.21)
ATUD26110	2.61 (0.24)
ATUD2620	2.96 (0.27)
ATUD2624	3.66 (0.34)
ATUD2628	4.36 (0.41)
ATUD2630	5.06 (0.47)
ATUD2718	2.35 (0.22)
ATUD2720	3.08 (0.29)
ATUD2724	3.80 (0.35)
ATUD2728	4.53 (0.42)
ATUD2730	5.25 (0.49)
ATUD2818	2.42 (0.22)
ATUD28110	2.80 (0.26)
ATUD2820	3.18 (0.29)
ATUD2824	3.93 (0.37)
ATUD2828	4.69 (0.44)
ATUD2830	5.45 (0.51)
ATUD2918	2.47 (0.23)
ATUD2920	3.25 (0.30)
ATUD2924	4.03 (0.37)
ATUD2928	4.81 (0.45)
ATUD2930	5.59 (0.52)
ATUD2918G	2.48 (0.23)
ATUD2920G	3.27 (0.30)
ATUD2924G	4.06 (0.38)
ATUD2928G	4.84 (0.45)
ATUD2930G	5.63 (0.52)
ATUD21018	2.58 (0.24)
ATUD210110	2.98 (0.28)
ATUD21020	3.39 (0.31)
ATUD21024	4.20 (0.39)
ATUD21028	5.01 (0.47)
ATUD21030	5.83 (0.54)
ATUD3018	2.68 (0.25)
ATUD30110	3.11 (0.29)
ATUD3020	3.55 (0.33)
ATUD3024	4.42 (0.41)

Window Number	Glass Area Sq. Ft./ (m ²)
ATUD3028	5.28 (0.49)
ATUD3030	6.15 (0.57)
ATUD3118	2.83 (0.26)
ATUD3120	3.72 (0.35)
ATUD3124	4.61 (0.43)
ATUD3128	5.50 (0.51)
ATUD3130	6.40 (0.59)
ATUD3218	2.88 (0.27)
ATUD32110	3.35 (0.31)
ATUD3220	3.81 (0.35)
ATUD3224	4.73 (0.44)
ATUD3228	5.66 (0.53)
ATUD3230	6.58 (0.61)
ATUD3318	2.93 (0.27)
ATUD3320	3.88 (0.36)
ATUD3324	4.82 (0.45)
ATUD3328	5.77 (0.54)
ATUD3330	6.72 (0.62)
ATUD3318G	2.94 (0.27)
ATUD3320G	3.89 (0.36)
ATUD3324G	4.85 (0.45)
ATUD3328G	5.80 (0.54)
ATUD3330G	6.76 (0.63)
ATUD3418	2.98 (0.28)
ATUD34110	3.47 (0.32)
ATUD3420	3.96 (0.37)
ATUD3424	4.94 (0.46)
ATUD3428	5.92 (0.55)
ATUD3430	6.90 (0.64)
ATUD3818	3.27 (0.30)
ATUD38110	3.81 (0.35)
ATUD3820	4.36 (0.40)
ATUD3824	5.45 (0.51)
ATUD3828	6.54 (0.61)
ATUD3830	7.63 (0.71)
ATUAD3918	3.31 (0.31)
ATUAD3920	4.43 (0.41)
ATUAD3924	5.55 (0.52)
ATUAD3928	6.67 (0.62)
ATUAD3930	7.79 (0.72)
ATUAD40110	4.00 (0.37)
ATUAD4020	4.60 (0.43)
ATUAD4024	5.80 (0.54)
ATUAD4028	7.00 (0.65)
ATUAD4030	8.20 (0.76)
ATUAD4318	4.92 (0.46)
ATUAD4320	6.21 (0.58)
ATUAD4324	7.50 (0.70)
ATUAD4328	8.79 (0.82)
ATUAD44110	4.31 (0.40)
ATUAD4420	4.97 (0.46)
ATUAD4424	6.28 (0.58)
ATUAD4428	7.59 (0.71)
ATUAD4430	8.90 (0.83)
ATUAD48110	4.61 (0.43)
ATUAD4820	5.32 (0.49)
ATUAD4824	6.74 (0.63)
ATUAD4828	8.17 (0.76)
ATUAD4830	9.59 (0.89)

• Dimensions in parentheses are in square meters.

continued on next page

SPECIALTY WINDOWS

Direct-Set Unequal Leg Arch Window Area Specifications *(continued)*

Window Number	Glass Area Sq. Ft./ (m ²)
ATUAD5024	7.01 (0.65)
ATUAD5028	8.54 (0.79)
ATUAD5030	10.08 (0.94)
ATUAD5424	7.45 (0.69)
ATUAD5428	9.09 (0.84)
ATUAD5430	10.74 (1.00)
ATUAD5824	7.87 (0.73)
ATUAD5828	9.63 (0.89)
ATUAD5830	11.38 (1.06)
ATUAD6024	8.05 (0.75)
ATUAD6028	9.91 (0.92)
ATUAD6030	11.78 (1.09)

Window Number	Glass Area Sq. Ft./ (m ²)
ATU2128	2.80 (0.26)
ATU2130	3.28 (0.30)
ATU2418	1.51 (0.14)
ATU24110	1.80 (0.17)
ATU2420	2.09 (0.19)
ATU2424	2.66 (0.25)
ATU2428	3.23 (0.30)
ATU2430	3.80 (0.35)
ATU2618	1.61 (0.15)
ATU26110	1.92 (0.18)
ATU2620	2.24 (0.21)
ATU2624	2.86 (0.27)
ATU2628	3.49 (0.32)
ATU2630	4.12 (0.38)
ATU2718	1.69 (0.16)
ATU2720	2.34 (0.22)
ATU2724	2.99 (0.28)
ATU2728	3.64 (0.34)
ATU2730	4.30 (0.40)
ATU2818	1.74 (0.16)
ATU28110	2.08 (0.19)
ATU2820	2.42 (0.22)
ATU2824	3.10 (0.29)
ATU2828	3.79 (0.35)
ATU2830	4.47 (0.42)
ATU2918	1.77 (0.16)
ATU2920	2.48 (0.23)
ATU2924	3.19 (0.30)
ATU2928	3.89 (0.36)
ATU2930	4.60 (0.43)
ATU2918G	1.78 (0.17)
ATU2920G	2.50 (0.23)
ATU2924G	3.21 (0.30)
ATU2928G	3.92 (0.36)
ATU2930G	4.64 (0.43)
ATU21018	1.86 (0.17)
ATU210110	2.23 (0.21)
ATU21020	2.60 (0.24)
ATU21024	3.34 (0.31)

Window Number	Glass Area Sq. Ft./ (m ²)
ATU21028	4.08 (0.38)
ATU21030	4.82 (0.45)
ATU3018	1.93 (0.18)
ATU30110	2.33 (0.22)
ATU3020	2.73 (0.25)
ATU3024	3.52 (0.33)
ATU3028	4.32 (0.40)
ATU3030	5.11 (0.47)
ATU3118	2.06 (0.19)
ATU3120	2.88 (0.27)
ATU3124	3.70 (0.34)
ATU3128	4.51 (0.42)
ATU3130	5.33 (0.50)
ATU3218	2.10 (0.20)
ATU32110	2.53 (0.23)
ATU3220	2.95 (0.27)
ATU3224	3.80 (0.35)
ATU3228	4.65 (0.43)
ATU3230	5.50 (0.51)
ATU3318	2.13 (0.20)
ATU3320	3.00 (0.28)
ATU3324	3.88 (0.36)
ATU3328	4.75 (0.44)
ATU3330	5.63 (0.52)
ATU3318G	2.14 (0.20)
ATU3320G	3.02 (0.28)
ATU3324G	3.90 (0.36)
ATU3328G	4.78 (0.44)
ATU3330G	5.66 (0.53)
ATU3418	2.16 (0.20)
ATU34110	2.62 (0.24)
ATU3420	3.07 (0.29)
ATU3424	3.98 (0.37)
ATU3428	4.88 (0.45)
ATUA3430	5.79 (0.54)
ATUA3818	2.38 (0.22)
ATUA38110	2.89 (0.27)
ATUA3820	3.40 (0.32)
ATUA3824	4.42 (0.41)

Window Number	Glass Area Sq. Ft./ (m ²)
ATUA3828	5.43 (0.50)
ATUA3830	6.45 (0.60)
ATUA3918	2.41 (0.22)
ATUA3920	3.46 (0.32)
ATUA3924	4.50 (0.42)
ATUA3928	5.55 (0.52)
ATUA3930	6.60 (0.61)
ATUA40110	3.02 (0.28)
ATUA4020	3.58 (0.33)
ATUA4024	4.71 (0.44)
ATUA4028	5.84 (0.54)
ATUA4030	6.96 (0.65)
ATUA4318	3.85 (0.36)
ATUA4320	5.06 (0.47)
ATUA4324	6.28 (0.58)
ATUA4328	7.49 (0.70)
ATUA44110	3.26 (0.30)
ATUA4420	3.88 (0.36)
ATUA4424	5.12 (0.48)
ATUA4428	6.36 (0.59)
ATUA4430	7.60 (0.71)
ATUA48110	3.49 (0.32)
ATUA4820	4.17 (0.39)
ATUA4824	5.52 (0.51)
ATUA4828	6.87 (0.64)
ATUA4830	8.22 (0.76)
ATUA5024	5.72 (0.53)
ATUA5028	7.18 (0.67)
ATUA5030	8.64 (0.80)
ATUA5424	6.09 (0.57)
ATUA5428	7.66 (0.71)
ATUA5430	9.23 (0.86)
ATUA5824	6.45 (0.60)
ATUA5828	8.13 (0.76)
ATUA5830	9.81 (0.91)
ATUA6024	6.56 (0.61)
ATUA6028	8.36 (0.78)
ATUA6030	10.15 (0.94)

• Dimensions in parentheses are in square meters.

Sash-Set Unequal Leg Arch Window Area Specifications

Window Number	Glass Area Sq. Ft./ (m ²)
ATU1418	0.69 (0.06)
ATU14110	0.81 (0.08)
ATU1420	0.93 (0.09)
ATU1424	1.17 (0.11)
ATU1428	1.41 (0.13)
ATU1430	1.65 (0.15)
ATU1818	0.98 (0.09)
ATU18110	1.15 (0.11)
ATU1820	1.33 (0.12)
ATU1824	1.68 (0.16)
ATU1828	2.03 (0.19)
ATU1830	2.38 (0.22)
ATU2018	1.24 (0.12)
ATU20110	1.47 (0.14)
ATU2020	1.70 (0.16)
ATU2024	2.16 (0.20)
ATU2028	2.62 (0.24)
ATU2030	3.08 (0.29)
ATU2118	1.34 (0.12)
ATU2120	1.83 (0.17)
ATU2124	2.31 (0.21)

Sash-Set Half Circle Window Unobstructed Glass Dimensions and Area Specifications

Window Number	Unobstructed Glass Width Inches/(mm)	Unobstructed Glass Height Inches/(mm)	Glass Area Sq. Ft./ (m ²)
ATCT20	15 3/16" (386)	5" (126)	0.38 (0.04)
ATCT21	16 1/8" (410)	5 7/16" (137)	0.44 (0.04)
ATCT24	19 1/2" (495)	7" (177)	0.69 (0.06)
ATCT26	21 9/16" (548)	8" (202)	0.88 (0.08)
ATCT27	22 1/2" (572)	8 7/16" (214)	0.97 (0.09)
ATCT28	23 11/16" (601)	9" (228)	1.09 (0.10)
ATCT29	24 9/16" (624)	9 7/16" (239)	1.19 (0.11)
ATCT29G	24 13/16" (631)	9 9/16" (242)	1.22 (0.11)
ATCT210	25 1/8" (654)	10" (253)	1.32 (0.12)
ATCT30	27 13/16" (706)	11" (279)	1.57 (0.15)
ATCT31	28 11/16" (729)	11 7/16" (290)	1.69 (0.16)
ATCT32	29 7/8" (758)	12" (304)	1.85 (0.17)
ATCT33	30 3/4" (781)	12 1/16" (315)	1.98 (0.18)
ATCT33G	31" (788)	12 9/16" (318)	2.02 (0.19)

Window Number	Unobstructed Glass Width Inches/(mm)	Unobstructed Glass Height Inches/(mm)	Glass Area Sq. Ft./ (m ²)
ATCT34	31 15/16" (810)	13" (329)	2.15 (0.20)
ATCT38	36" (914)	15" (380)	2.81 (0.26)
ATCT39	37 7/8" (943)	15 9/16" (395)	3.01 (0.28)
ATCT40	40 1/16" (1017)	17" (431)	3.56 (0.33)
ATCT43	43 3/16" (1098)	18 9/16" (471)	4.21 (0.39)
ATCT44	44 1/8" (1120)	19" (482)	4.40 (0.41)
ATCT48	48 7/8" (1223)	21" (533)	5.32 (0.49)
ATCT50	52 3/16" (1325)	23" (583)	6.33 (0.59)
ATCT54	56 3/16" (1428)	25" (634)	7.43 (0.69)
ATCT58	60 1/4" (1530)	27" (685)	8.62 (0.80)
ATCT60	64 1/4" (1632)	29" (736)	9.89 (0.92)
ATCT64	68 7/8" (1734)	31" (787)	11.25 (1.04)
ATCT68	72 5/16" (1836)	33" (837)	12.70 (1.18)
ATCT70	76 3/16" (1938)	35" (888)	14.23 (1.32)

Sash-Set Elliptical Window Unobstructed Glass Dimensions and Area Specifications

Window Number	Unobstructed Glass Width Inches/(mm)	Unobstructed Glass Height Inches/(mm)	Glass Area Sq. Ft./ (m ²)
ATET40	36 1/2" (927)	5 1/4" (133)	0.94 (0.09)
ATET44	40 3/4" (1035)	6" (152)	1.18 (0.11)
ATET48	46 7/16" (1179)	6 9/8" (167)	1.63 (0.15)
ATET50	50 5/8" (1286)	7 3/8" (187)	1.84 (0.17)
ATET54	55 1/2" (1410)	8 1/8" (206)	2.30 (0.21)
ATET58	60 1/16" (1525)	8 7/8" (225)	2.78 (0.26)
ATET60	63" (1601)	9 1/2" (241)	3.01 (0.28)
ATET64	67 1/8" (1705)	10 1/4" (260)	3.48 (0.32)
ATET68	71 7/8" (1826)	11" (279)	4.17 (0.39)
ATET70	76 1/8" (1934)	11 3/4" (298)	4.74 (0.44)
ATET74	79 3/8" (2016)	12 3/8" (314)	5.05 (0.47)
ATET711	86 11/16" (2201)	13 3/4" (348)	6.20 (0.58)
ATET80	87 1/2" (2222)	13 7/8" (352)	6.27 (0.58)
ATET811	98 13/16" (2509)	15 1/8" (402)	8.18 (0.76)

• Dimensions in parentheses are in millimeters or square meters.

Sash-Set Quarter Circle Window Unobstructed Glass Dimensions and Area Specifications

Window Number	Unobstructed Glass Width Inches/mm	Unobstructed Glass Height Inches/mm	Glass Area Sq. Ft./ (m ²)
ATQCT20	16 5/16" (414)	16 5/16" (414)	1.33 (0.12)
ATQCT21	17 3/16" (437)	17 3/16" (437)	1.48 (0.14)
ATQCT24	20 3/8" (517)	20 3/8" (517)	2.10 (0.19)
ATQCT26	22 3/8" (568)	22 3/8" (568)	2.55 (0.24)
ATQCT27	23 1/4" (591)	23 1/4" (591)	2.76 (0.26)
ATQCT28	24 3/8" (620)	24 3/8" (620)	3.04 (0.28)
ATQCT29	25 1/4" (642)	25 1/4" (642)	3.27 (0.30)
ATQCT29G	25 1/2" (648)	25 1/2" (648)	3.34 (0.31)
ATQCT210	26 7/16" (671)	26 7/16" (671)	3.58 (0.33)
ATQCT30	28 7/16" (722)	28 7/16" (722)	4.16 (0.39)
ATQCT31	29 5/16" (744)	29 5/16" (744)	4.43 (0.41)
ATQCT32	30 7/16" (773)	30 7/16" (773)	4.79 (0.44)
ATQCT33	31 5/16" (795)	31 5/16" (795)	5.08 (0.47)
ATQCT33G	31 9/16" (802)	31 9/16" (802)	5.16 (0.48)
ATQCT34	32 7/16" (824)	32 7/16" (824)	5.46 (0.51)
ATQCT36	34 7/16" (875)	34 7/16" (875)	6.17 (0.57)
ATQCT38	36 7/16" (926)	36 7/16" (926)	6.93 (0.64)
ATQCT39	37 9/16" (955)	37 9/16" (955)	7.37 (0.68)
ATQCT40	40 7/16" (1028)	40 7/16" (1028)	8.57 (0.80)
ATQCT43	43 5/8" (1107)	43 5/8" (1107)	9.98 (0.93)
ATQCT44	44 1/2" (1130)	44 1/2" (1130)	10.39 (0.97)
ATQCT48	48 1/2" (1232)	48 1/2" (1232)	12.38 (1.15)
ATQCT50	52 1/2" (1333)	52 1/2" (1333)	14.55 (1.35)
ATQCT54	56 1/2" (1435)	56 1/2" (1435)	16.89 (1.57)
ATQCT58	60 1/2" (1537)	60 1/2" (1537)	19.41 (1.80)
ATQCT60	64 1/2" (1639)	64 1/2" (1639)	22.10 (2.05)
ATQCT64	68 1/2" (1740)	68 1/2" (1740)	24.97 (2.32)
ATQCT68	72 1/2" (1842)	72 1/2" (1842)	28.01 (2.60)
ATQCT70	76 1/2" (1944)	76 1/2" (1944)	31.22 (2.90)

Sash-Set Octagon & Circle Window Unobstructed Glass Dimensions and Area Specifications

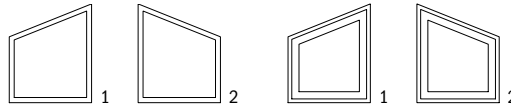
Window Number	Unobstructed Glass Width Inches/(mm)	Unobstructed Glass Height Inches/(mm)	Glass Area Sq. Ft./ (m ²)
ATOC20	16 5/8" (421)	16 5/8" (421)	1.58 (0.15)
ATOC24	20 5/8" (523)	20 5/8" (523)	2.44 (0.23)
ATOC30	28 5/8" (726)	28 5/8" (726)	4.70 (0.44)
ATOC40	40 5/8" (1031)	40 5/8" (1031)	9.48 (0.88)
ATOC60	64 5/8" (1641)	64 5/8" (1641)	24.00 (2.23)
ACR20	16 5/8" (421)	16 5/8" (421)	1.50 (0.14)
ACR24	20 5/8" (523)	20 5/8" (523)	2.31 (0.21)
ACR30	28 5/8" (726)	28 5/8" (726)	4.46 (0.41)
ACR40	40 5/8" (1031)	40 5/8" (1031)	8.99 (0.83)
ACR60	64 5/8" (1641)	64 5/8" (1641)	22.76 (2.11)

• Dimensions in parentheses are in millimeters or square meters.

Custom Trapezoid Windows



Trapezoid windows are available in custom sizes in 1/8" (3) increments.



Direct-Set Trapezoid

Sash-Set Trapezoid

Available direct-set or sash-set. Choose left facing (1) or right facing (2) as viewed from the exterior.

Design Criteria

Listed below are some factors that must be considered when deciding on a custom-size trapezoid window.

Minimum and Maximum Limits

Trapezoid windows may be assembled in custom sizes with these limitations:

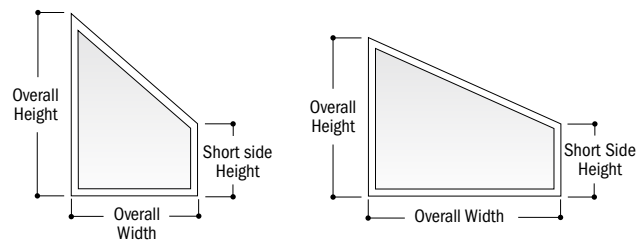
MAXIMUM FRAME AREA 65 sq. ft. or 6.04 m² for Low-E4[®] tempered glass

Square footage is based on a square or rectangular shape

For direct-set windows, no side may be less than 6" (152) and is dependent on slope

For sash-set windows, no side may be less than 8 1/2" (216) and is dependent on slope

Minimum cut angle is 12[°]



Specify overall width at sill, overall height, and short side height.

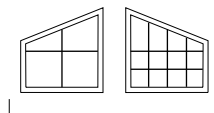
Slope is often designed to match a roof's pitch. Contact your Andersen supplier for more information.

Details shown on page 115.

Grille patterns are available in custom patterns.

For more information on divided light, see pages 12-13

or visit andersenwindows.com/grilles.



Custom Examples

SPECIALTY WINDOWS

Table of Direct-Set Arch Window Sizes

Scale 1/8" (3) = 1'-0" (305) – 1:96

Notes on page 89 also apply to this page.

Window Dimension	1'-11 1/4" (591)	2'-0 1/8" (613)	2'-3 1/4" (692)	2'-5 1/4" (743)	2'-6 1/8" (765)	2'-7 1/4" (794)	2'-8 1/8" (816)	2'-8 3/8" (822)	2'-9 1/4" (845)
Minimum Rough Opening	2'-0" (610)	2'-1" (635)	2'-4" (711)	2'-6" (762)	2'-7" (787)	2'-8" (813)	2'-9" (838)	2'-9" (838)	2'-10" (864)
Unobstructed Glass	19 1/4" (489)	20 1/8" (511)	23 1/4" (591)	25 1/4" (641)	26 1/8" (664)	27 1/4" (692)	28 1/8" (714)	28 3/8" (721)	29 1/4" (743)

CUSTOM SIZES AVAILABLE

Minimum Rough Opening = window height + 3/4" (19)

Unobstructed Glass = window height - 4" (102)

CUSTOM SIZES AVAILABLE

Window height shown in table	Radius	24" (610)	30" (762)	30" (762)	30" (762)	36" (914)	36" (914)	36" (914)	36" (914)	36" (914)
	Chord Height	3" (76)	2 17/32" (64)	3 9/32" (83)	3 13/16" (97)	3 5/16" (84)	3 9/16" (91)	3 25/32" (96)	3 27/32" (98)	4 1/16" (103)
	Shoulder Height	11 1/4" (286)	1'-1 25/32" (350)	1'-2 17/32" (369)	1'-3 1/16" (382)	1'-2 9/16" (370)	1'-2 13/16" (376)	1'-3 1/32" (382)	1'-3 3/32" (383)	1'-3 5/16" (389)
		ATAD2010	ATAD2110	ATAD2410	ATAD2610	ATAD2710	ATAD2810	ATAD2910	ATAD2910G*	ATAD21010
		23 1/4" (591)	2'-1 25/32" (655)	2'-2 17/32" (674)	2'-3 1/16" (687)	2'-2 9/16" (674)	2'-2 13/16" (681)	2'-3 1/32" (687)	2'-3 3/32" (688)	2'-3 5/16" (694)
		ATAD2020	ATAD2120	ATAD2420	ATAD2620	ATAD2720	ATAD2820	ATAD2920	ATAD2920G*	ATAD21020
		27 1/4" (692)	2'-5 25/32" (756)	2'-6 17/32" (775)	2'-7 1/16" (789)	2'-6 9/16" (776)	2'-6 13/16" (783)	2'-7 1/32" (788)	2'-7 3/32" (790)	2'-7 5/16" (795)
		ATAD2024	ATAD2124	ATAD2424	ATAD2624	ATAD2724	ATAD2824	ATAD2924	ATAD2924G*	ATAD21024
		31 1/4" (794)	2'-9 25/32" (858)	2'-10 17/32" (877)	2'-11 1/16" (890)	2'-10 9/16" (878)	2'-10 13/16" (884)	2'-11 1/32" (890)	2'-11 3/32" (891)	2'-11 5/16" (897)
		ATAD2028	ATAD2128	ATAD2428	ATAD2628	ATAD2728	ATAD2828	ATAD2928	ATAD2928G*	ATAD21028
		35 1/4" (895)	3'-1 25/32" (960)	3'-2 17/32" (978)	3'-3 1/16" (992)	3'-2 9/16" (979)	3'-2 13/16" (986)	3'-3 1/32" (991)	3'-3 3/32" (993)	3'-3 5/16" (999)
		ATAD2030	ATAD2130	ATAD2430	ATAD2630	ATAD2730	ATAD2830	ATAD2930	ATAD2930G*	ATAD21030
		39 1/4" (997)		3'-6 17/32" (1080)	3'-7 1/16" (1094)		3'-6 13/16" (1088)			3'-7 5/16" (1100)
		ATAD2034		ATAD2434	ATAD2634		ATAD2834			ATAD21034
		43 1/4" (1099)		3'-10 17/32" (1182)	3'-11 1/16" (1195)		3'-10 13/16" (1189)			3'-11 5/16" (1202)
		ATAD2038		ATAD2438	ATAD2638		ATAD2838			ATAD21038
		47 1/4" (1200)		4'-2 17/32" (1283)	4'-3 1/16" (1297)		4'-2 13/16" (1291)			4'-3 5/16" (1303)
		ATAD2040		ATAD2440	ATAD2640		ATAD2840			ATAD21040
		51 1/4" (1302)		4'-6 17/32" (1385)	4'-7 1/16" (1398)		4'-6 13/16" (1392)			4'-7 5/16" (1405)
		ATAD2044		ATAD2444	ATAD2644		ATAD2844			ATAD21044
		55 1/4" (1403)		4'-10 17/32" (1486)	4'-11 1/16" (1500)		4'-10 13/16" (1494)			4'-11 5/16" (1507)
		ATAD2048		ATAD2448	ATAD2648		ATAD2848			ATAD21048

* "Window Dimension" always refers to outside frame to frame dimension.
 * "Minimum Rough Opening" dimensions may need to be increased to allow for use of building wraps, flashing, sill panning, brackets, fasteners or other items. See pages 236-237 for more details.
 • Dimensions in parentheses are in millimeters.
 * Sized to fit over A-Series Frenchwood® Single Stationary Gliding Patio Door.



Notes on page 89 also apply to this page. Arch sizes on pages 84-99.

 2'-11 1/4" (895) 3'-0" (914) 31 1/4" (794)	 3'-0 1/8" (918) 3'-1" (940) 32 1/8" (816)	 3'-1 1/4" (946) 3'-2" (965) 33 1/4" (845)	 3'-2 1/8" (968) 3'-3" (991) 34 1/8" (867)	 3'-2 3/8" (975) 3'-3" (991) 34 3/8" (873)	 3'-3 1/4" (997) 3'-4" (1016) 35 1/4" (895)	 3'-7 1/4" (1099) 3'-8" (1118) 39 1/4" (997)	 3'-8 3/8" (1127) 3'-9" (1143) 40 3/8" (1026)	 3'-11 1/4" (1200) 4'-0" (1219) 43 1/4" (1099)	 4'-2 3/8" (1280) 4'-3" (1295) 46 3/8" (1178)
 36" (914) 4 5/8" (117) 1'-3 7/8" (403) ATAD3010	 36" (914) 4 27/32" (123) 1'-4 3/32" (409) ATAD3110	 42" (1067) 4 11/32" (111) 1'-3 19/32" (396) ATAD3210	 42" (1067) 4 9/16" (116) 1'-3 13/16" (402) ATAD3310	 42" (1067) 4 5/8" (118) 1'-3 7/8" (404) ATAD3310G*	 42" (1067) 4 7/8" (124) 1'-4 1/8" (409) ATAD3410	 48" (1219) 5 5/32" (131) 1'-4 13/32" (416) ATAD3810	 48" (1219) 5 7/16" (138) 1'-4 11/16" (424) ATAD3910	 48" (1219) 6 7/32" (168) 1'-5 15/32" (444) ATAD4010	 60" (1524) 5 17/32" (141) 1'-4 25/32" (427) ATAD4310
 2'-7 7/8" (809) 2'-8 3/32" (816) ATAD3024	 2'-8 3/32" (816) 2'-7 19/32" (803) ATAD3124	 2'-7 19/32" (803) 2'-7 13/16" (808) ATAD3224	 2'-7 13/16" (808) 2'-7 7/8" (810) ATAD3324	 2'-7 7/8" (810) 2'-8 1/8" (816) ATAD3324G*	 2'-8 1/8" (816) 2'-8 13/32" (823) ATAD3424	 2'-8 13/32" (823) 2'-8 11/16" (830) ATAD3824	 2'-8 11/16" (830) 2'-9 15/32" (850) ATAD3924	 2'-9 15/32" (850) 2'-8 25/32" (833) ATAD4024	 2'-8 25/32" (833) 2'-11 7/8" (911) ATAD4324
 2'-11 7/8" (911) 3'-0 3/32" (917) ATAD3028	 3'-0 3/32" (917) 2'-11 19/32" (904) ATAD3128	 2'-11 19/32" (904) 2'-11 13/16" (910) ATAD3228	 2'-11 13/16" (910) 2'-11 7/8" (912) ATAD3328	 2'-11 7/8" (912) 3'-0 1/8" (917) ATAD3328G*	 3'-0 1/8" (917) 3'-0 13/32" (924) ATAD3428	 3'-0 13/32" (924) 3'-0 11/16" (932) ATAD3828	 3'-0 11/16" (932) 3'-1 15/32" (952) ATAD3928	 3'-1 15/32" (952) 3'-0 25/32" (935) ATAD4028	 3'-0 25/32" (935) 3'-3 7/8" (1012) ATAD4328
 3'-3 7/8" (1012) 3'-4 3/32" (1019) ATAD3030	 3'-4 3/32" (1019) 3'-3 19/32" (1006) ATAD3130	 3'-3 19/32" (1006) 3'-3 13/16" (1012) ATAD3230	 3'-3 13/16" (1012) 3'-3 7/8" (1013) ATAD3330	 3'-3 7/8" (1013) 3'-4 1/8" (1019) ATAD3330G*	 3'-4 1/8" (1019) 3'-4 13/32" (1026) ATAD3430	 3'-4 13/32" (1026) 3'-4 11/16" (1033) ATAD3830	 3'-4 11/16" (1033) 3'-5 15/32" (1053) ATAD3930	 3'-5 15/32" (1053) 3'-4 25/32" (1036) ATAD4030	 3'-4 25/32" (1036) 3'-7 7/8" (1114) ATAD4330
 3'-7 7/8" (1114) 3'-11 7/8" (1216) ATAD3034	 3'-11 7/8" (1216) 3'-11 19/32" (1209) ATAD3134	 3'-11 19/32" (1209) 3'-7 19/32" (1108) ATAD3234	 3'-7 19/32" (1108) 4'-0 1/8" (1222) ATAD3334	 4'-0 1/8" (1222) 4'-0 13/32" (1229) ATAD3434	 4'-0 13/32" (1229) 4'-4 1/8" (1324) ATAD3834	 4'-4 1/8" (1324) 4'-4 13/32" (1331) ATAD3934	 4'-4 13/32" (1331) 4'-5 15/32" (1358) ATAD4034	 4'-5 15/32" (1358) 4'-7 7/8" (1419) ATAD4334	
 4'-3 7/8" (1317) 4'-7 7/8" (1419) ATAD3038	 4'-7 7/8" (1419) 4'-3 19/32" (1311) ATAD3138	 4'-3 19/32" (1311) 4'-7 19/32" (1412) ATAD3238	 4'-7 19/32" (1412) 4'-8 1/8" (1425) ATAD3338	 4'-8 1/8" (1425) 4'-8 13/32" (1432) ATAD3438	 4'-8 13/32" (1432) 4'-11 7/8" (1520) ATAD3838	 4'-11 7/8" (1520) 4'-11 19/32" (1514) ATAD3938	 4'-11 19/32" (1514) 5'-0 1/8" (1527) ATAD4038	 5'-0 1/8" (1527) 5'-0 13/32" (1534) ATAD4338	

continued on next page

- "Window Dimension" always refers to outside frame to frame dimension.
- "Minimum Rough Opening" dimensions may need to be increased to allow for use of building wraps, flashing, sill panning, brackets, fasteners or other items. See pages 236-237 for more details.
- Dimensions in parentheses are in millimeters.
- *Sized to fit over A-Series Frenchwood® Single Stationary Gliding Patio Door.

SPECIALTY WINDOWS

Table of Direct-Set Arch Window Sizes (continued)

Scale 1/8" (3) = 1'-0" (305) – 1:96

Notes on page 89 also apply to this page.

Window Dimension	1'-11 1/4" (591)	2'-0 1/8" (613)	2'-3 1/4" (692)	2'-5 1/4" (743)	2'-6 1/8" (765)	2'-7 1/4" (794)	2'-8 1/8" (816)	2'-8 3/8" (822)	2'-9 1/4" (845)
Minimum Rough Opening	2'-0" (610)	2'-1" (635)	2'-4" (711)	2'-6" (762)	2'-7" (787)	2'-8" (813)	2'-9" (838)	2'-9" (838)	2'-10" (864)
Unobstructed Glass	19 1/4" (489)	20 1/8" (511)	23 1/4" (591)	25 1/4" (641)	26 1/8" (664)	27 1/4" (692)	28 1/8" (714)	28 3/8" (721)	29 1/4" (743)

Window height shown in table

CUSTOM SIZES AVAILABLE

CUSTOM SIZES AVAILABLE

Minimum Rough Opening = window height + 3/4" (19)

Unobstructed Glass = window height - 4" (102)

Radius	24" (610)	30" (762)		36" (914)	
Chord Height	3" (76)	3 9/32" (88)	3 13/16" (97)	3 9/16" (91)	4 1/16" (103)
Shoulder Height	59 1/4" (1505)	5'-2 17/32" (1588)	5'-3 1/16" (1602)	5'-2 13/16" (1596)	5'-3 5/16" (1608)
ATAD2050		ATAD2450	ATAD2650	ATAD2850	ATAD21050
63 1/4" (1607)		5'-6 17/32" (1690)	5'-7 1/16" (1703)	5'-6 13/16" (1697)	5'-7 5/16" (1710)
ATAD2054		ATAD2454	ATAD2654	ATAD2854	ATAD21054
67 1/4" (1708)		5'-10 17/32" (1791)	5'-11 1/16" (1805)	5'-10 13/16" (1799)	5'-11 5/16" (1811)
ATAD2058		ATAD2458	ATAD2658	ATAD2858	ATAD21058
71 1/4" (1810)		6'-2 17/32" (1893)	6'-3 1/16" (1906)	6'-2 13/16" (1900)	6'-3 5/16" (1913)
ATAD2060		ATAD2460	ATAD2660	ATAD2860	ATAD21060
75 1/4" (1911)		6'-6 17/32" (1994)	6'-7 1/16" (2008)	6'-6 13/16" (2002)	6'-7 5/16" (2015)
ATAD2064		ATAD2464	ATAD2664	ATAD2864	ATAD21064
79 1/4" (2013)		6'-10 17/32" (2096)	6'-11 1/16" (2110)	6'-10 13/16" (2104)	6'-11 5/16" (2116)
ATAD2068		ATAD2468	ATAD2668	ATAD2868	ATAD21068
87 1/4" (2216)		7'-6 17/32" (2299)	7'-7 1/16" (2313)	7'-6 13/16" (2307)	7'-7 5/16" (2319)
ATAD2074		ATAD2474	ATAD2674	ATAD2874	ATAD21074

• "Window Dimension" always refers to outside frame to frame dimension.
 • "Minimum Rough Opening" dimensions may need to be increased to allow for use of building wraps, flashing, sill panning, brackets, fasteners or other items. See pages 236-237 for more details.
 • Dimensions in parentheses are in millimeters.



Notes on page 89 also apply to this page. Arch sizes on pages 84-99.

2'-11 1/4" (895)	3'-0 1/8" (918)	3'-1 1/4" (946)	3'-2 1/8" (968)	3'-2 3/8" (975)	3'-3 1/4" (997)	3'-7 1/4" (1099)	3'-8 3/8" (1127)	3'-11 1/4" (1200)	4'-2 3/8" (1280)
3'-0" (914)	3'-1" (940)	3'-2" (965)	3'-3" (991)	3'-3" (991)	3'-4" (1016)	3'-8" (1118)	3'-9" (1143)	4'-0" (1219)	4'-3" (1295)
31 1/4" (794)	32 1/8" (816)	33 1/4" (845)	34 1/8" (867)	34 3/8" (873)	35 1/4" (895)	39 1/4" (997)	40 3/8" (1026)	43 1/4" (1099)	46 3/8" (1178)

36"(914)	42"(1067)	42"(1067)	48"(1219)	48"(1219)
4 5/8" (117)	4 11/32" (111)	4 7/8" (124)	5 5/32" (131)	6 7/32" (158)
5'-3 7/8" (1622)	5'-3 19/32" (1616)	5'-4 1/8" (1629)	5'-4 13/32" (1636)	5'-5 15/32" (1663)
ATAD3050	ATAD3250	ATAD3450	ATAD3850	ATAD4050
5'-7 7/8" (1724)	5'-7 19/32" (1717)	5'-8 1/8" (1730)	5'-8 13/32" (1737)	5'-9 15/32" (1764)
ATAD3054	ATAD3254	ATAD3454	ATAD3854	ATAD4054
5'-11 7/8" (1825)	5'-11 19/32" (1819)	6'-0 1/8" (1832)	6'-0 13/32" (1839)	6'-1 15/32" (1866)
ATAD3058	ATAD3258	ATAD3458	ATAD3858	ATAD4058
6'-3 7/8" (1927)	6'-3 19/32" (1920)	6'-4 1/8" (1933)	6'-4 13/32" (1940)	6'-5 15/32" (1968)
ATAD3060	ATAD3260	ATAD3460	ATAD3860	ATAD4060
6'-7 7/8" (2028)	6'-7 19/32" (2022)	6'-8 1/8" (2035)	6'-8 13/32" (2042)	6'-9 15/32" (2069)
ATAD3064	ATAD3264	ATAD3464	ATAD3864	ATAD4064
6'-11 7/8" (2130)	6'-11 19/32" (2124)	7'-0 1/8" (2137)	7'-0 13/32" (2144)	7'-1 15/32" (2171)
ATAD3068	ATAD3268	ATAD3468	ATAD3868	ATAD4068
7'-7 7/8" (2333)	7'-7 19/32" (2327)	7'-8 1/8" (2340)	7'-8 13/32" (2347)	7'-9 15/32" (2374)
ATAD3074	ATAD3274	ATAD3474	ATAD3874	ATAD4074

continued on next page

- "Window Dimension" always refers to outside frame to frame dimension.
- "Minimum Rough Opening" dimensions may need to be increased to allow for use of building wraps, flashing, sill panning, brackets, fasteners or other items. See pages 236-237 for more details.
- Dimensions in parentheses are in millimeters.

SPECIALTY WINDOWS

Table of Direct-Set Arch Window Sizes (continued)

Scale 1/8" (3) = 1'-0" (305) – 1:96

Notes on the next page also apply to this page.

Window Dimension	1'-11 1/4" (591)	2'-0 1/8" (613)	2'-3 1/4" (692)	2'-5 1/4" (743)	2'-6 1/8" (765)	2'-7 1/4" (794)	2'-8 1/8" (816)	2'-8 3/8" (822)	2'-9 1/4" (845)
Minimum Rough Opening	2'-0" (610)	2'-1" (635)	2'-4" (711)	2'-6" (762)	2'-7" (787)	2'-8" (813)	2'-9" (838)	2'-9" (838)	2'-10" (864)
Unobstructed Glass	19 1/4" (489)	20 1/8" (511)	23 1/4" (591)	25 1/4" (641)	26 1/8" (664)	27 1/4" (692)	28 1/8" (714)	28 3/8" (721)	29 1/4" (743)

CUSTOM SIZES AVAILABLE	
Window height shown in table	<div style="display: flex; justify-content: space-around;"> <div style="text-align: center;"> <p>Radius 24" (610)</p> <p>Chord Height 3" (76)</p> <p>Shoulder Height 95 1/4" (2419)</p> <p>8'-2 1/4" (2496)</p> <p>ATAD2080</p> </div> <div style="text-align: center;"> <p>30" (762)</p> <p>3 9/32" (83)</p> <p>8'-2 17/32" (2502)</p> <p>ATAD2480</p> </div> <div style="text-align: center;"> <p>30" (762)</p> <p>3 13/16" (97)</p> <p>8'-3 1/16" (2516)</p> <p>ATAD2680</p> </div> <div style="text-align: center;"> <p>36" (914)</p> <p>3 9/16" (97)</p> <p>8'-2 13/16" (2510)</p> <p>ATAD2880</p> </div> <div style="text-align: center;"> <p>36" (914)</p> <p>4 1/16" (103)</p> <p>8'-3 5/16" (2523)</p> <p>ATAD21080</p> </div> </div>

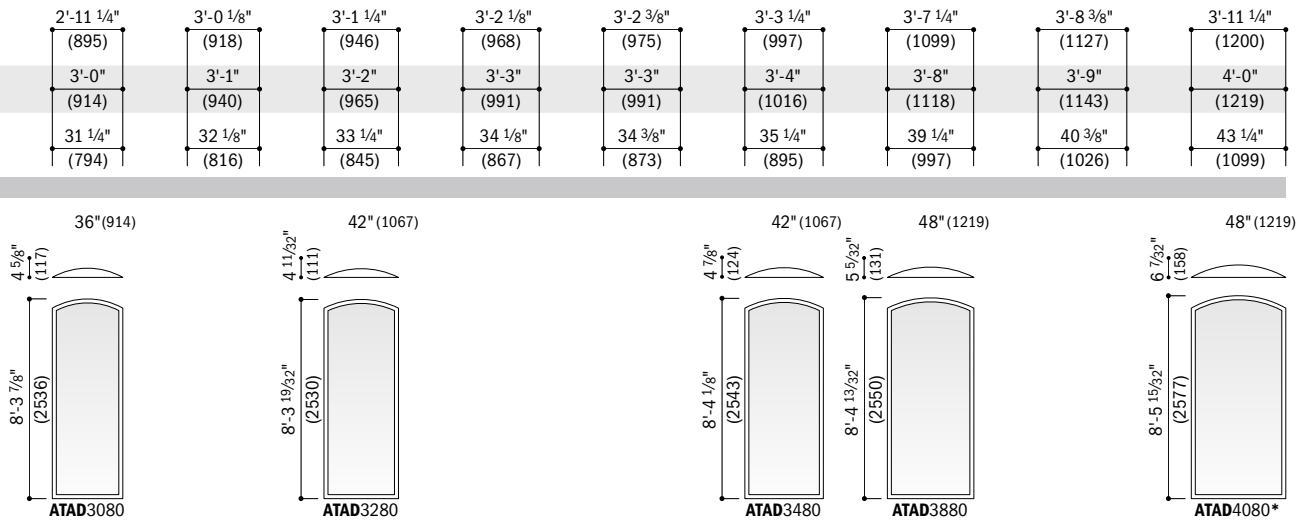
Direct-Set Arch Window Area Specifications

Window Number	Glass Area Sq. Ft./ (m ²)	Window Number	Glass Area Sq. Ft./ (m ²)	Window Number	Glass Area Sq. Ft./ (m ²)	Window Number	Glass Area Sq. Ft./ (m ²)
ATAD2010	1.27 (0.12)	ATAD2464	11.90 (1.11)	ATAD2850	10.95 (1.02)	ATAD3020	4.91 (0.46)
ATAD2020	2.88 (0.27)	ATAD2468	12.54 (1.17)	ATAD2854	11.71 (1.09)	ATAD3024	5.78 (0.54)
ATAD2024	3.41 (0.32)	ATAD2474	13.84 (1.29)	ATAD2858	12.47 (1.16)	ATAD3028	6.65 (0.62)
ATAD2028	3.95 (0.37)	ATAD2480	15.13 (1.41)	ATAD2860	13.22 (1.23)	ATAD3030	7.51 (0.70)
ATAD2030	4.48 (0.42)	ATAD2610	1.77 (0.16)	ATAD2864	13.98 (1.30)	ATAD3034	8.38 (0.78)
ATAD2034	5.02 (0.47)	ATAD2620	3.87 (0.36)	ATAD2868	14.74 (1.37)	ATAD3038	9.25 (0.86)
ATAD2038	5.55 (0.52)	ATAD2624	4.57 (0.42)	ATAD2874	16.25 (1.51)	ATAD3040	10.12 (0.94)
ATAD2040	6.09 (0.57)	ATAD2628	5.27 (0.49)	ATAD2880	17.77 (1.65)	ATAD3044	10.99 (1.02)
ATAD2044	6.62 (0.62)	ATAD2630	5.98 (0.56)	ATAD2910	1.96 (0.18)	ATAD3048	11.85 (1.10)
ATAD2048	7.16 (0.66)	ATAD2634	6.68 (0.62)	ATAD2920	4.30 (0.40)	ATAD3050	12.72 (1.18)
ATAD2050	7.69 (0.71)	ATAD2638	7.38 (0.69)	ATAD2924	5.09 (0.47)	ATAD3054	13.59 (1.26)
ATAD2054	8.23 (0.76)	ATAD2640	8.08 (0.75)	ATAD2928	5.87 (0.54)	ATAD3058	14.46 (1.34)
ATAD2058	8.76 (0.81)	ATAD2644	8.78 (0.82)	ATAD2930	6.65 (0.62)	ATAD3060	15.33 (1.42)
ATAD2060	9.29 (0.86)	ATAD2648	9.48 (0.88)	ATAD2910G	1.99 (0.18)	ATAD3064	16.19 (1.50)
ATAD2064	9.83 (0.91)	ATAD2650	10.18 (0.95)	ATAD2920G	4.35 (0.40)	ATAD3068	17.06 (1.59)
ATAD2068	10.36 (0.96)	ATAD2654	10.88 (1.01)	ATAD2924G	5.14 (0.48)	ATAD3074	18.80 (1.75)
ATAD2074	11.43 (1.06)	ATAD2658	11.59 (1.08)	ATAD2928G	5.93 (0.55)	ATAD3080	20.53 (1.91)
ATAD2080	12.50 (1.16)	ATAD2660	12.29 (1.14)	ATAD2930G	6.72 (0.62)	ATAD3110	2.41 (0.22)
ATAD2110	1.28 (0.12)	ATAD2664	12.99 (1.21)	ATAD21010	2.08 (0.19)	ATAD3120	5.09 (0.47)
ATAD2120	2.96 (0.27)	ATAD2668	13.69 (1.27)	ATAD21020	4.52 (0.42)	ATAD3124	5.98 (0.56)
ATAD2124	3.52 (0.33)	ATAD2674	15.09 (1.40)	ATAD21024	5.33 (0.50)	ATAD3128	6.87 (0.64)
ATAD2128	4.08 (0.38)	ATAD2680	16.50 (1.53)	ATAD21028	6.14 (0.57)	ATAD3130	7.76 (0.72)
ATAD2130	4.64 (0.43)	ATAD2710	1.76 (0.16)	ATAD21030	6.95 (0.65)	ATAD3210	2.41 (0.22)
ATAD2410	1.57 (0.15)	ATAD2720	3.94 (0.37)	ATAD21034	7.77 (0.72)	ATAD3220	5.18 (0.48)
ATAD2420	3.50 (0.33)	ATAD2724	4.66 (0.43)	ATAD21038	8.58 (0.80)	ATAD3224	6.10 (0.57)
ATAD2424	4.15 (0.39)	ATAD2728	5.39 (0.50)	ATAD21040	9.39 (0.87)	ATAD3228	7.02 (0.65)
ATAD2428	4.79 (0.45)	ATAD2730	6.11 (0.57)	ATAD21044	10.20 (0.95)	ATAD3230	7.95 (0.74)
ATAD2430	5.44 (0.51)	ATAD2810	1.87 (0.17)	ATAD21048	11.02 (1.02)	ATAD3234	8.87 (0.82)
ATAD2434	6.09 (0.57)	ATAD2820	4.14 (0.38)	ATAD21050	11.83 (1.10)	ATAD3238	9.80 (0.91)
ATAD2438	6.73 (0.63)	ATAD2824	4.90 (0.46)	ATAD21054	12.64 (1.17)	ATAD3240	10.72 (1.00)
ATAD2440	7.38 (0.69)	ATAD2828	5.66 (0.53)	ATAD21058	13.45 (1.25)	ATAD3244	11.64 (1.08)
ATAD2444	8.02 (0.75)	ATAD2830	6.41 (0.60)	ATAD21060	14.27 (1.33)	ATAD3248	12.57 (1.17)
ATAD2448	8.67 (0.81)	ATAD2834	7.17 (0.67)	ATAD21064	15.08 (1.40)	ATAD3250	13.49 (1.25)
ATAD2450	9.32 (0.87)	ATAD2838	7.93 (0.74)	ATAD21068	15.89 (1.48)	ATAD3254	14.41 (1.34)
ATAD2454	9.96 (0.93)	ATAD2840	8.68 (0.81)	ATAD21074	17.52 (1.63)	ATAD3258	15.34 (1.42)
ATAD2458	10.61 (0.99)	ATAD2844	9.44 (0.88)	ATAD21080	19.14 (1.78)		
ATAD2460	11.25 (1.05)	ATAD2848	10.20 (0.95)	ATAD3010	2.31 (0.21)		

• Dimensions in parentheses are in square meters.

continued on next page

Arch sizes on pages 84-99.



continued on next page

Direct-Set Arch Window Area Specifications (continued)

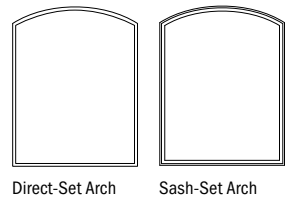
Window Number	Glass Area Sq. Ft./ (m ²)	Window Number	Glass Area Sq. Ft./ (m ²)	Window Number	Glass Area Sq. Ft./ (m ²)
ATAD3260	16.26 (1.51)	ATAD3830	9.53 (0.89)	ATAD4310	3.61 (0.34)
ATAD3264	17.18 (1.60)	ATAD3834	10.62 (0.99)	ATAD4320	7.47 (0.69)
ATAD3268	18.11 (1.68)	ATAD3838	11.71 (1.09)	ATAD4324	8.76 (0.81)
ATAD3274	19.95 (1.85)	ATAD3840	12.80 (1.19)	ATAD4328	10.05 (0.93)
ATAD3280	21.80 (2.03)	ATAD3844	13.89 (1.29)	ATAD4330	11.34 (1.05)
ATAD3310	2.51 (0.23)	ATAD3848	14.98 (1.39)	ATAD4410	3.72 (0.35)
ATAD3320	5.35 (0.50)	ATAD3850	16.07 (1.49)	ATAD4420	7.66 (0.71)
ATAD3324	6.30 (0.59)	ATAD3854	17.16 (1.59)	ATAD4424	8.97 (0.83)
ATAD3328	7.25 (0.67)	ATAD3858	18.25 (1.70)	ATAD4428	10.29 (0.96)
ATAD3330	8.19 (0.76)	ATAD3860	19.34 (1.80)	ATAD4430	11.60 (1.08)
ATAD3310G	2.54 (0.24)	ATAD3864	20.43 (1.90)	ATAD4434	12.91 (1.20)
ATAD3320G	5.40 (0.50)	ATAD3868	21.52 (2.00)	ATAD4438	14.22 (1.32)
ATAD3324G	6.35 (0.59)	ATAD3874	23.70 (2.20)	ATAD4440	15.54 (1.44)
ATAD3328G	7.31 (0.68)	ATAD3880	25.88 (2.40)	ATAD4444	16.85 (1.57)
ATAD3330G	8.26 (0.77)	ATAD3910	3.13 (0.29)	ATAD4448	18.16 (1.69)
ATAD3410	2.64 (0.25)	ATAD3920	6.49 (0.60)	ATAD4450	19.47 (1.81)
ATAD3420	5.58 (0.52)	ATAD3924	7.62 (0.71)	ATAD4454	20.79 (1.93)
ATAD3424	6.56 (0.61)	ATAD3928	8.74 (0.81)	ATAD4458	22.10 (2.05)
ATAD3428	7.54 (0.70)	ATAD3930	9.86 (0.92)	ATAD4460	23.41 (2.17)
ATAD3430	8.51 (0.79)	ATAD4010	3.52 (0.33)	ATAD4464	24.72 (2.30)
ATAD3434	9.49 (0.88)	ATAD4020	7.12 (0.66)	ATAD4468	26.04 (2.42)
ATAD3438	10.47 (0.97)	ATAD4024	8.32 (0.77)	ATAD4474	28.66 (2.66)
ATAD3440	11.45 (1.06)	ATAD4028	9.52 (0.88)	ATAD4480	31.29 (2.91)
ATAD3444	12.43 (1.15)	ATAD4030	10.73 (1.00)	ATAD4810	4.29 (0.40)
ATAD3448	13.41 (1.25)	ATAD4034	11.93 (1.11)	ATAD4820	8.56 (0.79)
ATAD3450	14.39 (1.34)	ATAD4038	13.13 (1.22)	ATAD4824	9.98 (0.93)
ATAD3454	15.37 (1.43)	ATAD4040	14.33 (1.33)	ATAD4828	11.40 (1.06)
ATAD3458	16.35 (1.52)	ATAD4044	15.53 (1.44)	ATAD4830	12.83 (1.19)
ATAD3460	17.33 (1.61)	ATAD4048	16.73 (1.55)	ATAD4834	14.25 (1.32)
ATAD3464	18.31 (1.70)	ATAD4050	17.93 (1.67)	ATAD4838	15.67 (1.46)
ATAD3468	19.29 (1.79)	ATAD4054	19.14 (1.78)	ATAD4840	17.10 (1.59)
ATAD3474	21.24 (1.97)	ATAD4058	20.34 (1.89)	ATAD4844	18.52 (1.72)
ATAD3480	23.20 (2.16)	ATAD4060	21.54 (2.00)	ATAD4848	19.95 (1.85)
ATAD3810	2.99 (0.28)	ATAD4064	22.74 (2.11)	ATAD4850	21.37 (1.99)
ATAD3820	6.26 (0.58)	ATAD4068	23.94 (2.22)	ATAD4854	22.79 (2.12)
ATAD3824	7.35 (0.68)	ATAD4074	26.34 (2.45)		
ATAD3828	8.44 (0.78)	ATAD4080	28.75 (2.67)		

• Dimensions in parentheses are in square meters.

continued on page 94



Custom-size windows are available in 1/8" (3) increments. Contact your Andersen supplier for more information.



Direct-set (ATAD) window sizes shown. Use window dimensions and minimum rough opening formula shown for sash-set (ATA) window sizes. For sash-set unobstructed glass dimensions, see pages 98-101

Details shown on page 115. Grille patterns shown on page 109.

- "Window Dimension" always refers to outside frame to frame dimension.
- "Minimum Rough Opening" dimensions may need to be increased to allow for use of building wraps, flashing, sill panning, brackets, fasteners or other items. See pages 236-237 for more details.
- Dimensions in parentheses are in millimeters.
- Tempered glass required. Some visual distortion may occur.

SPECIALTY WINDOWS

Table of Direct-Set Arch Window Sizes (continued)

Scale 1/8" (3) = 1'-0" (305) – 1:96

Notes on page 93 also apply to this page.

Window Dimension	4'-3 1/4" (1302)	4'-7 1/4" (1403)	4'-11 1/4" (1505)	5'-3 1/4" (1607)	5'-7 1/4" (1708)	5'-11 1/4" (1810)
Minimum Rough Opening	4'-4" (1321)	4'-8" (1422)	5'-0" (1524)	5'-4" (1626)	5'-8" (1727)	6'-0" (1829)
Unobstructed Glass	47 1/4" (1200)	51 1/4" (1302)	55 1/4" (1403)	59 1/4" (1505)	63 1/4" (1607)	67 1/4" (1708)

CUSTOM SIZES AVAILABLE

Minimum Rough Opening = window height + 3/4" (19)

Unobstructed Glass = window height - 4" (102)

CUSTOM SIZES AVAILABLE

Window height shown in table	Radius	60" (1524)	60" (1524)	60" (1524)	72" (1829)	72" (1829)	72" (1829)
	Chord Height	5 3/4" (146)	6 3/4" (171)	7 13/16" (199)	7 9/16" (186)	8 11/32" (212)	9 7/16" (240)
	Shoulder Height	11 1/4" (286)	1'-6" (457)	1'-7 1/16" (484)	1'-6 9/16" (472)	1'-7 19/32" (497)	1'-8 11/16" (525)
		ATAD4410	ATAD4810	ATAD5010	ATAD5410	ATAD5810	ATAD6010
		23 1/4" (591)	2'-5" (737)	2'-7 1/16" (789)	2'-6 9/16" (776)	2'-7 19/32" (802)	2'-8 11/16" (830)
		ATAD4420	ATAD4820	ATAD5020	ATAD5420	ATAD5820	ATAD6020
		27 1/4" (692)	2'-10" (863)	2'-11 1/16" (891)	2'-10 9/16" (878)	2'-11 19/32" (904)	3'-0 11/16" (932)
		ATAD4424	ATAD4824	ATAD5024	ATAD5424	ATAD5824	ATAD6024
		31 1/4" (794)	3'-1" (940)	3'-3 1/16" (992)	3'-2 9/16" (980)	3'-3 19/32" (1005)	3'-4 11/16" (1033)
		ATAD4428	ATAD4828	ATAD5028	ATAD5428	ATAD5828	ATAD6028
		35 1/4" (895)	3'-5" (1041)	3'-7 1/16" (1094)	3'-6 9/16" (1081)	3'-7 19/32" (1107)	3'-8 11/16" (1135)
		ATAD4430	ATAD4830	ATAD5030	ATAD5430	ATAD5830	ATAD6030
		39 1/4" (997)	3'-9" (1143)	3'-11 1/16" (1196)	3'-10 9/16" (1183)	3'-11 19/32" (1209)	4'-0 11/16" (1237)
		ATAD4434	ATAD4834	ATAD5034	ATAD5434	ATAD5834	ATAD6034
		43 1/4" (1099)	4'-1" (1245)	4'-3 1/16" (1297)	4'-2 9/16" (1284)	4'-3 19/32" (1310)	4'-4 11/16" (1338)
		ATAD4438	ATAD4838	ATAD5038	ATAD5438	ATAD5838	ATAD6038
		47 1/4" (1200)	4'-5" (1346)	4'-7 1/16" (1399)	4'-6 9/16" (1386)	4'-7 19/32" (1412)	4'-8 11/16" (1440)
		ATAD4440	ATAD4840	ATAD5040	ATAD5440	ATAD5840	ATAD6040
		51 1/4" (1302)	4'-9" (1448)	4'-11 1/16" (1500)	4'-10 9/16" (1488)	4'-11 19/32" (1513)	5'-0 11/16" (1541)
		ATAD4444	ATAD4844	ATAD5044	ATAD5444	ATAD5844	ATAD6044
		55 1/4" (1403)	5'-1" (1549)	5'-3 1/16" (1602)	5'-2 9/16" (1589)	5'-3 19/32" (1615)	5'-4 11/16" (1643)
		ATAD4448	ATAD4848	ATAD5048	ATAD5448	ATAD5848	ATAD6048

• "Window Dimension" always refers to outside frame to frame dimension.
 • "Minimum Rough Opening" dimensions may need to be increased to allow for use of building wraps, flashing, sill panning, brackets, fasteners or other items. See pages 236-237 for more details.
 • Dimensions in parentheses are in millimeters.

Notes on page 93 also apply to this page. Arch sizes on pages 84-99.

6'-3 1/4" (1911)	6'-7 1/4" (2013)	6'-11 1/4" (2115)	7'-3 1/4" (2216)	7'-10 7/16" (2399)	7'-11 1/4" (2419)
6'-4" (1930)	6'-8" (2032)	7'-0" (2134)	7'-4" (2235)	7'-11" (2413)	8'-0" (2438)
71 1/4" (1810)	75 1/4" (1911)	79 1/4" (2013)	83 1/4" (2115)	90 7/16" (2297)	91 1/4" (2318)

84" (2134) 8 29/32" (226) 1'-8 5/32" (512) ATAD6410	84" (2134) 9 15/16" (252) 1'-9 3/16" (538) ATAD6810	84" (2134) 11 1/32" (280) 1'-10 9/32" (566) ATAD7010	96" (2438) 10 1/2" (266) 1'-9 3/4" (552) ATAD7410	96" (2438) 12 13/32" (315) 1'-11 21/32" (601) ATAD71110	96" (2438) 12 21/32" (321) 1'-11 29/32" (607) ATAD8010
2'-8 5/32" (817) ATAD6420	2'-9 3/16" (843) ATAD6820	2'-10 9/32" (871) ATAD7020	2'-9 3/4" (857) ATAD7420	2'-11 21/32" (906) ATAD71120	2'-11 29/32" (912) ATAD8020
3'-0 5/32" (918) ATAD6424	3'-1 3/16" (944) ATAD6824	3'-2 9/32" (973) ATAD7024	3'-1 3/4" (958) ATAD7424	3'-3 21/32" (1008) ATAD71124	3'-3 29/32" (1013) ATAD8024
3'-4 5/32" (1020) ATAD6428	3'-5 3/16" (1046) ATAD6828	3'-6 9/32" (1074) ATAD7028	3'-5 3/4" (1060) ATAD7428	3'-7 21/32" (1109) ATAD71128	3'-7 29/32" (1115) ATAD8028
3'-8 5/32" (1121) ATAD6430	3'-9 3/16" (1148) ATAD6830	3'-10 9/32" (1176) ATAD7030	3'-9 3/4" (1162) ATAD7430	3'-11 21/32" (1211) ATAD71130	3'-11 29/32" (1217) ATAD8030
4'-0 5/32" (1223) ATAD6434	4'-1 3/16" (1249) ATAD6834	4'-2 9/32" (1277) ATAD7034	4'-1 3/4" (1263) ATAD7434		4'-3 29/32" (1318) ATAD8034
4'-4 5/32" (1325) ATAD6438	4'-5 3/16" (1351) ATAD6838	4'-6 9/32" (1379) ATAD7038	4'-5 3/4" (1365) ATAD7438		4'-7 29/32" (1420) ATAD8038
4'-8 5/32" (1426) ATAD6440	4'-9 3/16" (1452) ATAD6840	4'-10 9/32" (1481) ATAD7040	4'-9 3/4" (1466) ATAD7440		4'-11 29/32" (1521) ATAD8040
5'-0 5/32" (1528) ATAD6444	5'-1 3/16" (1554) ATAD6844	5'-2 9/32" (1582) ATAD7044	5'-1 3/4" (1568) ATAD7444		5'-3 29/32" (1623) ATAD8044
5'-4 5/32" (1629) ATAD6448	5'-5 3/16" (1656) ATAD6848	5'-6 9/32" (1684) ATAD7048	5'-5 3/4" (1670) ATAD7448		5'-7 29/32" (1725) ATAD8048

continued on next page

- "Window Dimension" always refers to outside frame to frame dimension.
- "Minimum Rough Opening" dimensions may need to be increased to allow for use of building wraps, flashing, sill panning, brackets, fasteners or other items. See pages 236-237 for more details.
- Dimensions in parentheses are in millimeters.

SPECIALTY WINDOWS

Table of Direct-Set Arch Window Sizes (continued)

Scale 1/8" (3) = 1'-0" (305) – 1:96

Notes on the next page also apply to this page.

Window Dimension	4'-3 1/4" (1302)	4'-7 1/4" (1403)	4'-11 1/4" (1505)	5'-3 1/4" (1607)	5'-7 1/4" (1708)	5'-11 1/4" (1810)
Minimum Rough Opening	4'-4" (1321)	4'-8" (1422)	5'-0" (1524)	5'-4" (1626)	5'-8" (1727)	6'-0" (1829)
Unobstructed Glass	47 1/4" (1200)	51 1/4" (1302)	55 1/4" (1403)	59 1/4" (1505)	63 1/4" (1607)	67 1/4" (1708)

CUSTOM SIZES AVAILABLE

Minimum Rough Opening = window height + 3/4" (19)

Unobstructed Glass = window height - 4" (102)

CUSTOM SIZES AVAILABLE

Window height shown in table	Radius	60" (1524)	60" (1524)	60" (1524)	72" (1829)	72" (1829)	72" (1829)
Shoulder Height	Chord Height	59 1/4" (1505) 5-3/4" (146)	5-6" (1676) 6-3/4" (171)	5-7 1/16" (1704) 7-13/16" (199)	5-6 9/16" (1691) 7-9/16" (186)	5-7 19/32" (1717) 8-11/32" (212)	5-8 11/16" (1745) 9-7/16" (240)
ATAD4450	ATAD4850	ATAD5050	ATAD5450	ATAD5850	ATAD6050		
63 1/4" (1607) 5-9" (1753)	5-10" (1778)	5-11 1/16" (1805)	5-10 9/16" (1792)	5-11 19/32" (1818)	6-0 11/16" (1846)		
ATAD4454	ATAD4854	ATAD5054	ATAD5454	ATAD5854	ATAD6054		
67 1/4" (1708) 6-1" (1854)	6-2" (1879)	6-3 1/16" (1907)	6-2 9/16" (1894)	6-3 19/32" (1920)	6-4 11/16" (1948)		
ATAD4458	ATAD4858	ATAD5058	ATAD5458	ATAD5858	ATAD6058		
71 1/4" (1810) 6-5" (1956)	6-6" (1981)	6-7 1/16" (2008)	6-6 9/16" (1996)	6-7 19/32" (2021)	6-8 11/16" (2049)		
ATAD4460	ATAD4860	ATAD5060	ATAD5460	ATAD5860	ATAD6060		
75 1/4" (1911) 6-9" (2057)	6-10" (2082)	6-11 1/16" (2110)	6-10 9/16" (2097)	6-11 19/32" (2123)	7-0 11/16" (2151)		
ATAD4464	ATAD4864	ATAD5064	ATAD5464	ATAD5864	ATAD6064		
79 1/4" (2013) 7-1" (2159)	7-2" (2184)	7-3 1/16" (2212)	7-2 9/16" (2199)	7-3 19/32" (2225)	7-4 11/16" (2253)		
ATAD4468	ATAD4868	ATAD5068	ATAD5468	ATAD5868	ATAD6068		
87 1/4" (2216) 7-9" (2362)	7-10" (2387)	7-11 1/16" (2415)	7-10 9/16" (2402)	7-11 19/32" (2428)	8-0 11/16" (2456)		
ATAD4474	ATAD4874	ATAD5074	ATAD5474	ATAD5874	ATAD6074		

- "Window Dimension" always refers to outside frame to frame dimension.
- "Minimum Rough Opening" dimensions may need to be increased to allow for use of building wraps, flashing, sill panning, brackets, fasteners or other items. See pages 236-237 for more details.
- Dimensions in parentheses are in millimeters.



Arch sizes on pages 84-99.

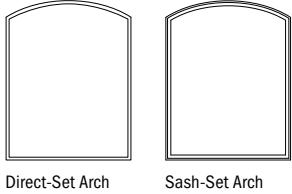
6'-3 1/4" (1911)	6'-7 1/4" (2013)	6'-11 1/4" (2115)	7'-3 1/4" (2216)	7'-10 7/16" (2399)	7'-11 1/4" (2419)
6'-4" (1930)	6'-8" (2032)	7'-0" (2134)	7'-4" (2235)	7'-11" (2413)	8'-0" (2438)
71 1/4" (1810)	75 1/4" (1911)	79 1/4" (2013)	83 1/4" (2115)	90 7/16" (2297)	91 1/4" (2318)

 84" (2134) 8 29/32" (226) 5'-8 5/32" (1731) ATAD6450	 84" (2134) 9 15/16" (252) 5'-9 3/16" (1757) ATAD6850	 84" (2134) 11 1/32" (280) 5'-10 9/32" (1785) ATAD7050	 96" (2438) 10 1/2" (266) 5'-9 3/4" (1771) ATAD7450	 96" (2438) 12 21/32" (321) 5'-11 29/32" (1826) ATAD8050*
 6'-0 5/32" (1833) ATAD6454	 6'-1 3/16" (1859) ATAD6854	 6'-2 9/32" (1887) ATAD7054	 6'-1 3/4" (1873) ATAD7454	 6'-3 29/32" (1928) ATAD8054*
 6'-4 5/32" (1934) ATAD6458	 6'-5 3/16" (1960) ATAD6858	 6'-6 9/32" (1989) ATAD7058	 6'-5 3/4" (1974) ATAD7458*	 6'-7 29/32" (2029) ATAD8058*
 6'-8 5/32" (2036) ATAD6460	 6'-9 3/16" (2062) ATAD6860	 6'-10 9/32" (2090) ATAD7060*	 6'-9 3/4" (2076) ATAD7460*	 6'-11 29/32" (2131) ATAD8060*
 7'-0 5/32" (2137) ATAD6464	 7'-1 3/16" (2164) ATAD6864	 7'-2 9/32" (2192) ATAD7064*	 7'-1 3/4" (2174) ATAD7464*	continued on next page
 7'-4 5/32" (2239) ATAD6468	 7'-5 3/16" (2265) ATAD6868*	 7'-6 9/32" (2293) ATAD7068*	 7'-5 3/4" (2274) ATAD7468*	*Tempered glass required. Some visual distortion may occur.
 8'-0 5/32" (2442) ATAD6474*	 8'-1 3/16" (2468) ATAD6874*	 8'-2 9/32" (2497) ATAD7074*	*Minimum Rough Opening dimensions may need to be increased to allow for use of building wraps, flashing, sill panning, brackets, fasteners or other items. See pages 236-237 for more details.	*Dimensions in parentheses are in millimeters.



Custom-size windows are available in 1/8" (3) increments.
Contact your Andersen supplier for more information.

Direct-set (ATAD) window sizes shown. Use window dimensions and minimum rough opening formula shown for sash-set (ATA) window sizes. For sash-set unobstructed glass dimensions, see pages 98-101.



Details shown on page 115.
Grille patterns shown on page 109.

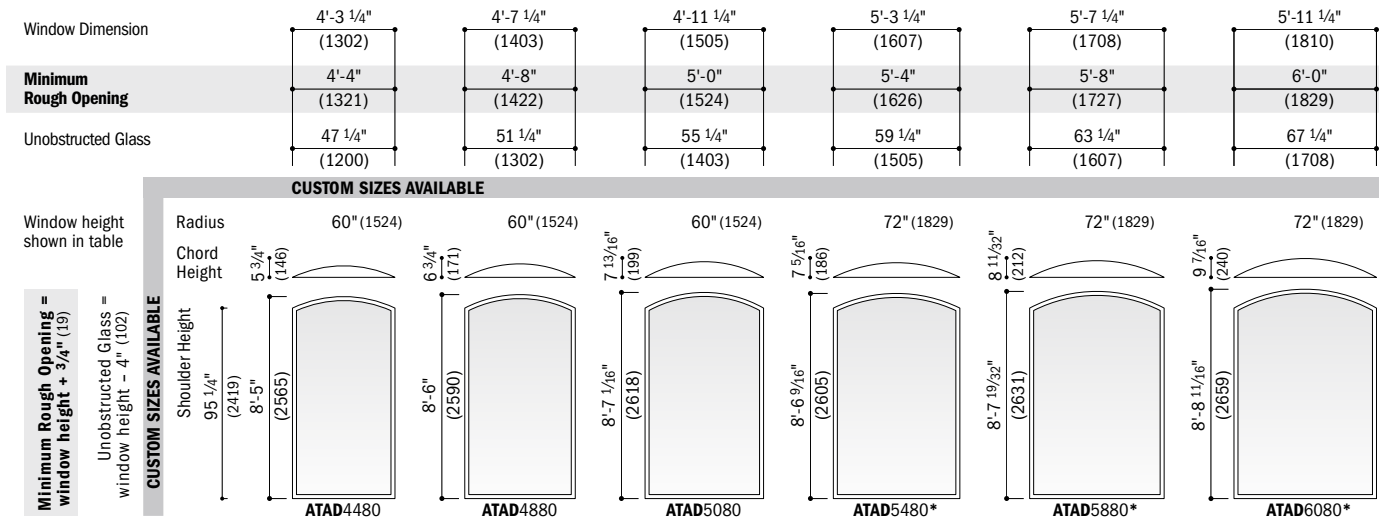
• "Window Dimension" always refers to outside frame to frame dimension.
• "Minimum Rough Opening" dimensions may need to be increased to allow for use of building wraps, flashing, sill panning, brackets, fasteners or other items. See pages 236-237 for more details.
• Dimensions in parentheses are in millimeters.
• *Tempered glass required. Some visual distortion may occur.

SPECIALTY WINDOWS

Table of Direct-Set Arch Window Sizes (continued)

Scale 1/8" (3) = 1'-0" (305) – 1:96

Notes on the next page also apply to this page.



- "Window Dimension" always refers to outside frame to frame dimension.
- "Minimum Rough Opening" dimensions may need to be increased to allow for use of building wraps, flashing, sill panning, brackets, fasteners or other items. See pages 236-237 for more details.
- Dimensions in parentheses are in millimeters.
- *Tempered glass required. Some visual distortion may occur.

Direct-Set Arch Window Area Specifications

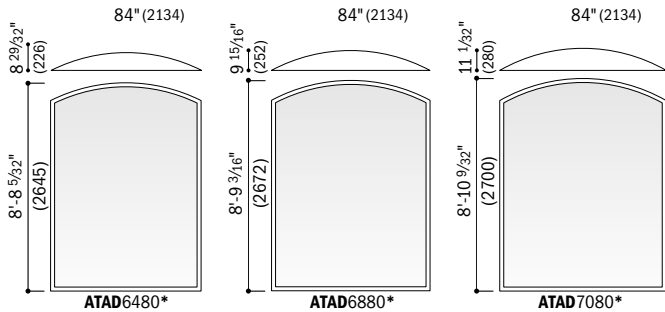
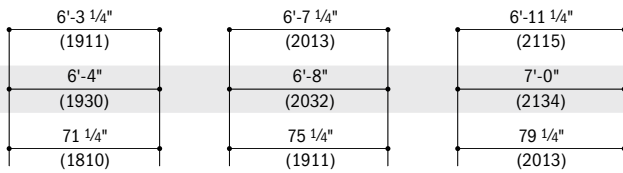
(continued from page 89)

Window Number	Glass Area Sq. Ft./ (m ²)	Window Number	Glass Area Sq. Ft./ (m ²)	Window Number	Glass Area Sq. Ft./ (m ²)	Window Number	Glass Area Sq. Ft./ (m ²)
ATAD4858	24.22 (2.25)	ATAD5444	21.57 (2.00)	ATAD6030	17.69 (1.64)	ATAD6810	7.42 (0.69)
ATAD4860	25.64 (2.38)	ATAD5448	23.21 (2.16)	ATAD6034	19.56 (1.82)	ATAD6820	13.70 (1.27)
ATAD4864	27.06 (2.51)	ATAD5450	24.86 (2.31)	ATAD6038	21.43 (1.99)	ATAD6824	15.79 (1.47)
ATAD4868	28.49 (2.65)	ATAD5454	26.51 (2.46)	ATAD6040	23.30 (2.16)	ATAD6828	17.88 (1.66)
ATAD4874	31.33 (2.91)	ATAD5458	28.15 (2.62)	ATAD6044	25.17 (2.34)	ATAD6830	19.97 (1.85)
ATAD4880	34.18 (3.18)	ATAD5460	29.80 (2.77)	ATAD6048	27.03 (2.51)	ATAD6834	22.06 (2.05)
ATAD5010	4.91 (0.46)	ATAD5464	31.44 (2.92)	ATAD6050	28.90 (2.69)	ATAD6838	24.15 (2.24)
ATAD5020	9.52 (0.88)	ATAD5468	33.09 (3.07)	ATAD6054	30.77 (2.86)	ATAD6840	26.24 (2.44)
ATAD5024	11.05 (1.03)	ATAD5474	36.38 (3.38)	ATAD6058	32.64 (3.03)	ATAD6844	28.33 (2.63)
ATAD5028	12.58 (1.17)	ATAD5480	39.67 (3.69)	ATAD6060	34.51 (3.21)	ATAD6848	30.42 (2.83)
ATAD5030	14.12 (1.31)	ATAD5810	5.76 (0.54)	ATAD6064	36.37 (3.38)	ATAD6850	32.51 (3.02)
ATAD5034	15.65 (1.45)	ATAD5820	11.04 (1.03)	ATAD6068	38.24 (3.55)	ATAD6854	34.60 (3.21)
ATAD5038	17.19 (1.60)	ATAD5824	12.79 (1.19)	ATAD6074	41.98 (3.90)	ATAD6858	36.69 (3.41)
ATAD5040	18.72 (1.74)	ATAD5828	14.55 (1.35)	ATAD6080	45.71 (4.25)	ATAD6860	38.78 (3.60)
ATAD5044	20.26 (1.88)	ATAD5830	16.31 (1.51)	ATAD6410	6.67 (0.62)	ATAD6864	40.87 (3.80)
ATAD5048	21.79 (2.02)	ATAD5834	18.06 (1.68)	ATAD6420	12.61 (1.17)	ATAD6868	42.96 (3.99)
ATAD5050	23.33 (2.17)	ATAD5838	19.82 (1.84)	ATAD6424	14.59 (1.36)	ATAD6874	47.14 (4.38)
ATAD5054	24.86 (2.31)	ATAD5840	21.58 (2.00)	ATAD6428	16.57 (1.54)	ATAD6880	51.32 (4.77)
ATAD5058	26.40 (2.45)	ATAD5844	23.33 (2.17)	ATAD6430	18.55 (1.72)	ATAD7010	8.24 (0.77)
ATAD5060	27.93 (2.59)	ATAD5848	25.09 (2.33)	ATAD6434	20.53 (1.91)	ATAD7020	14.85 (1.38)
ATAD5064	29.47 (2.74)	ATAD5850	26.85 (2.49)	ATAD6438	22.51 (2.09)	ATAD7024	17.05 (1.58)
ATAD5068	31.00 (2.88)	ATAD5854	28.60 (2.66)	ATAD6440	24.49 (2.27)	ATAD7028	19.25 (1.79)
ATAD5074	34.07 (3.17)	ATAD5858	30.36 (2.82)	ATAD6444	26.47 (2.46)	ATAD7030	21.45 (1.99)
ATAD5080	37.14 (3.45)	ATAD5860	32.12 (2.98)	ATAD6448	28.45 (2.64)	ATAD7034	23.65 (2.20)
ATAD5410	5.11 (0.47)	ATAD5864	33.88 (3.15)	ATAD6450	30.42 (2.83)	ATAD7038	25.85 (2.40)
ATAD5420	10.05 (0.93)	ATAD5868	35.63 (3.31)	ATAD6454	32.40 (3.01)	ATAD7040	28.05 (2.61)
ATAD5424	11.69 (1.09)	ATAD5874	39.15 (3.64)	ATAD6458	34.38 (3.19)	ATAD7044	30.26 (2.81)
ATAD5428	13.34 (1.24)	ATAD5880	42.66 (3.96)	ATAD6460	36.36 (3.38)	ATAD7048	32.46 (3.02)
ATAD5430	14.98 (1.39)	ATAD6010	6.49 (0.60)	ATAD6464	38.34 (3.56)	ATAD7050	34.66 (3.22)
ATAD5434	16.63 (1.54)	ATAD6020	12.09 (1.12)	ATAD6468	40.32 (3.75)	ATAD7054	36.86 (3.42)
ATAD5438	18.28 (1.70)	ATAD6024	13.96 (1.30)	ATAD6474	44.28 (4.11)		
ATAD5440	19.92 (1.85)	ATAD6028	15.83 (1.47)	ATAD6480	48.24 (4.48)		

• Dimensions in parentheses are in square meters.

continued on next page

Arch sizes on pages 84-99.



- "Window Dimension" always refers to outside frame to frame dimension.
- "Minimum Rough Opening" dimensions may need to be increased to allow for use of building wraps, flashing, sill panning, brackets, fasteners or other items. See pages 236-237 for more details.
- Dimensions in parentheses are in millimeters.
- Tempered glass required. Some visual distortion may occur.

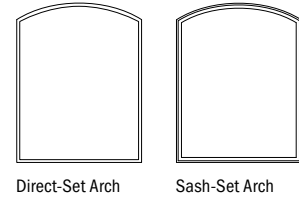
continued on next page



Custom-size windows are available in 1/8" (3) increments.
Contact your Andersen supplier for more information.

Direct-set (ATAD) window sizes

shown. Use window dimensions and minimum rough opening formula shown for sash-set (ATA) window sizes. For sash-set unobstructed glass dimensions, see pages 98-101.



Details shown on page 115.

Grille patterns shown on page 109.

Direct-Set Arch Window Area Specifications (continued)

Window Number	Glass Area Sq. Ft./ (m ²)
ATAD7058	39.06 (3.63)
ATAD7060	41.26 (3.83)
ATAD7064	43.46 (4.04)
ATAD7068	45.67 (4.24)
ATAD7074	50.07 (4.65)
ATAD7080	54.47 (5.06)
ATAD7410	8.42 (0.78)
ATAD7420	15.36 (1.43)
ATAD7424	17.67 (1.64)
ATAD7428	19.98 (1.86)
ATAD7430	22.30 (2.07)
ATAD7434	24.61 (2.29)
ATAD7438	26.92 (2.50)
ATAD7440	29.23 (2.72)
ATAD7444	31.55 (2.93)
ATAD7448	33.86 (3.15)
ATAD7450	36.17 (3.36)
ATAD7454	38.48 (3.58)
ATAD7458	40.80 (3.76)
ATAD7460	43.11 (4.00)
ATAD71110	9.99 (0.93)
ATAD71120	17.52 (1.63)
ATAD71124	20.04 (1.86)
ATAD71128	22.55 (2.09)
ATAD71130	25.06 (2.33)
ATAD8010	10.18 (0.95)
ATAD8020	17.78 (1.65)
ATAD8024	20.32 (1.89)
ATAD8028	22.85 (2.12)
ATAD8030	25.39 (2.36)
ATAD8034	27.92 (2.59)
ATAD8038	30.46 (2.83)

Window Number	Glass Area Sq. Ft./ (m ²)
ATAD8040	32.99 (3.06)
ATAD8044	35.53 (3.30)
ATAD8048	38.06 (3.54)
ATAD8050	40.60 (3.77)
ATAD8054	43.13 (4.01)
ATAD8058	45.66 (4.24)
ATAD8060	48.20 (4.48)
ATAD8810	10.58 (0.98)
ATAD8820	18.85 (1.75)
ATAD8824	21.60 (2.01)
ATAD8828	24.36 (2.26)
ATAD8830	27.12 (2.52)
ATAD8834	29.87 (2.78)
ATAD8838	32.63 (3.03)
ATAD8840	35.39 (3.29)
ATAD8844	38.15 (3.54)
ATAD8848	40.90 (3.80)
ATAD8850	43.66 (4.06)
ATAD8854	46.42 (4.31)
ATAD8858	49.17 (4.57)
ATAD8860	51.93 (4.82)
ATAD81110	11.30 (1.05)
ATAD81120	19.83 (1.84)
ATAD81124	22.68 (2.11)
ATAD81128	25.52 (2.37)
ATAD81130	28.37 (2.64)
ATAD9410	12.46 (1.16)
ATAD9420	21.39 (1.99)
ATAD9424	24.37 (2.26)
ATAD9428	27.35 (2.54)
ATAD9430	30.33 (2.82)
ATAD9434	33.31 (3.09)

Window Number	Glass Area Sq. Ft./ (m ²)
ATAD9438	36.29 (3.37)
ATAD9440	39.27 (3.65)
ATAD9444	42.25 (3.92)
ATAD9448	45.23 (4.20)
ATAD9450	48.21 (4.48)
ATAD9454	51.18 (4.76)
ATAD9458	54.16 (5.03)
ATAD10010	14.60 (1.36)
ATAD10020	24.20 (2.25)
ATAD10024	27.40 (2.55)
ATAD10028	30.60 (2.84)
ATAD10030	33.80 (3.14)
ATAD10034	37.01 (3.44)
ATAD10038	40.21 (3.74)
ATAD10040	43.41 (4.03)
ATAD10044	46.61 (4.33)
ATAD10048	49.81 (4.63)
ATAD10050	53.01 (4.92)
ATAD10054	56.21 (5.22)
ATAD10058	59.42 (5.52)
ATAD10810	15.88 (1.47)
ATAD10820	26.15 (2.43)
ATAD10824	29.57 (2.75)
ATAD10828	32.99 (3.07)
ATAD10830	36.42 (3.38)
ATAD10834	39.84 (3.70)
ATAD10838	43.26 (4.02)
ATAD10840	46.69 (4.34)
ATAD10844	50.11 (4.66)
ATAD10848	53.54 (4.97)
ATAD10850	56.96 (5.29)
ATAD10854	60.38 (5.61)

Window Number	Glass Area Sq. Ft./ (m ²)
ATAD10858	63.81 (5.93)
ATAD11410	17.21 (1.60)
ATAD11420	28.15 (2.62)
ATAD11424	31.80 (2.95)
ATAD11428	35.44 (3.29)
ATAD11430	39.09 (3.63)
ATAD11434	42.74 (3.97)
ATAD11438	46.38 (4.31)
ATAD11440	50.03 (4.65)
ATAD11444	53.67 (4.99)
ATAD11448	57.32 (5.32)
ATAD11450	60.96 (5.66)
ATAD11454	64.61 (6.00)
ATAD12010	19.74 (1.83)
ATAD12020	31.34 (2.91)
ATAD12024	35.21 (3.27)
ATAD12028	39.08 (3.63)
ATAD12030	42.95 (3.99)
ATAD12034	46.82 (4.35)
ATAD12038	50.68 (4.71)
ATAD12040	54.55 (5.07)
ATAD12044	58.42 (5.43)
ATAD12048	62.29 (5.79)
ATAD12050	66.16 (6.15)
ATAD12054	70.02 (6.51)

• Dimensions in parentheses are in square meters.

SPECIALTY WINDOWS

Table of Direct-Set Arch Window Sizes (continued)

Notes on the next page also apply to this page.

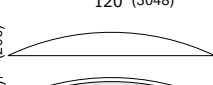
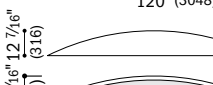
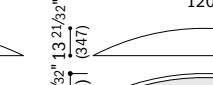
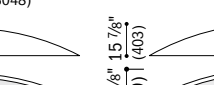


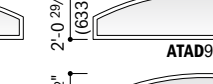
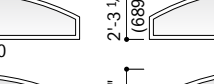
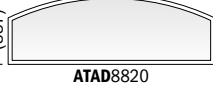


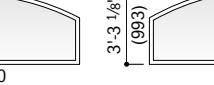



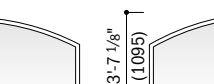



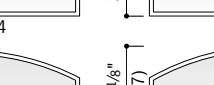


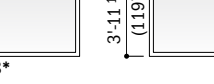

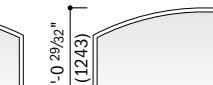
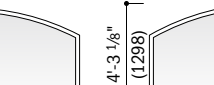


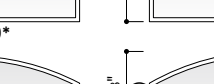


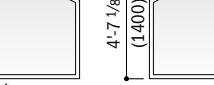


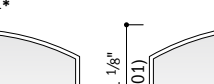
Scale 1/8" (3) = 1'-0" (305) – 1:96

Window Dimension	8'-7 1/4" (2623)	8'-10 7/16" (2704)	9'-3 1/4" (2826)	9'-11 1/4" (3029)
Minimum Rough Opening	8'-8" (2642)	8'-11" (2718)	9'-4" (2845)	10'-0" (3048)
Unobstructed Glass	99 1/4" (2521)	102 7/16" (2602)	107 1/4" (2724)	115 1/4" (2927)

Window height shown in table

Minimum Rough Opening = window height + 3/4" (19)

Unobstructed Glass = window height - 4" (102)

CUSTOM SIZES AVAILABLE				
Radius	120" (3048)	120" (3048)	120" (3048)	120" (3048)
Chord Height				
Shoulder Height				
11 1/4" (286)	 ATAD8810	 ATAD8110	 ATAD9410	 ATAD10010
23 1/4" (591)	 ATAD8820	 ATAD81120	 ATAD9420	 ATAD10020
27 1/4" (692)	 ATAD8824	 ATAD81124	 ATAD9424	 ATAD10024*
31 1/4" (794)	 ATAD8828	 ATAD81128	 ATAD9428*	 ATAD10028*
35 1/4" (895)	 ATAD8830	 ATAD81130*	 ATAD9430*	 ATAD10030*
39 1/4" (997)	 ATAD8834		 ATAD9434*	 ATAD10034*
43 1/4" (1099)	 ATAD8838		 ATAD9438*	 ATAD10038*
47 1/4" (1200)	 ATAD8840		 ATAD9440*	 ATAD10040*
51 1/4" (1302)	 ATAD8844*		 ATAD9444*	 ATAD10044*
55 1/4" (1403)	 ATAD8848*		 ATAD9448*	 ATAD10048*

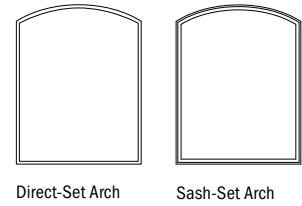
• "Window Dimension" always refers to outside frame to frame dimension.
 • "Minimum Rough Opening" dimensions may need to be increased to allow for use of building wraps, flashing, sill panning, brackets, fasteners or other items. See pages 236-237 for more details.
 • Dimensions in parentheses are in millimeters.
 *Tempered glass required. Some visual distortion may occur.

Arch sizes on pages 84-99.

10'-6 1/8" (3203)	11'-3 1/4" (3435)	11'-11 1/4" (3639)
10'-8" (3251)	11'-4" (3454)	12'-0" (3658)
123 1/4" (3131)	131 1/4" (3334)	139 1/4" (3537)



Custom-size windows are available in 1/8" (3) increments. Contact your Andersen supplier for more information.



Direct-Set Arch Sash-Set Arch

Direct-set (ATAD) window sizes shown. Use window dimensions and minimum rough opening formula shown for sash-set (ATA) window sizes. For sash-set unobstructed glass dimensions, see pages 98-101.

Details shown on page 115.
Grille patterns shown on page 109.

132" (3353) 2'-3 19/32" (701) 16 11/32" (415)	144" (3658) 2'-4 1/8" (714) 16 7/8" (428)	144" (3658) 2'-6 5/16" (770) 19 1/16" (485)
ATAD10810	ATAD11410	ATAD12010
3'-3 19/32" (1006)	3'-4 1/8" (1019)	3'-6 5/16" (1075)
ATAD10820*	ATAD11420*	ATAD12020*
3'-7 19/32" (1107)	3'-8 1/8" (1121)	3'-10 5/16" (1177)
ATAD10824*	ATAD11424*	ATAD12024*
3'-11 19/32" (1209)	4'-0 1/8" (1222)	4'-2 5/16" (1278)
ATAD10828*	ATAD11428*	ATAD12028*
4'-3 19/32" (1311)	4'-4 1/8" (1324)	4'-6 5/16" (1380)
ATAD10830*	ATAD11430*	ATAD12030*
4'-7 19/32" (1412)	4'-8 1/8" (1425)	4'-10 5/16" (1481)
ATAD10834*	ATAD11434*	ATAD12034*
4'-11 19/32" (1514)	5'-0 1/8" (1527)	5'-2 5/16" (1583)
ATAD10838*	ATAD11438*	ATAD12038*
5'-3 19/32" (1615)	5'-4 1/8" (1629)	5'-6 5/16" (1685)
ATAD10840*	ATAD11440*	ATAD12040*
5'-7 19/32" (1717)	5'-8 1/8" (1730)	5'-10 5/16" (1786)
ATAD10844*	ATAD11444*	ATAD12044*
5'-11 19/32" (1819)	6'-0 1/8" (1832)	6'-2 5/16" (1888)
ATAD10848*	ATAD11448*	ATAD12048*

continued on next page

- "Window Dimension" always refers to outside frame to frame dimension.
- "Minimum Rough Opening" dimensions may need to be increased to allow for use of building wraps, flashing, sill panning, brackets, fasteners or other items. See pages 236-237 for more details.
- Dimensions in parentheses are in millimeters.
- *Tempered glass required. Some visual distortion may occur.

SPECIALTY WINDOWS

Table of Direct-Set Arch Window Sizes (continued)

Scale 1/8" (3) = 1'-0" (305) – 1:96

Notes on the next page also apply to this page.

Window Dimension	8'-7 1/4" (2623)	8'-10 7/16" (2704)	9'-3 1/4" (2826)	9'-11 1/4" (3029)
Minimum Rough Opening	8'-8" (2642)	8'-11" (2718)	9'-4" (2845)	10'-0" (3048)
Unobstructed Glass	99 1/4" (2521)	102 7/16" (2602)	107 1/4" (2724)	115 1/4" (2927)

CUSTOM SIZES AVAILABLE

Window height shown in table

Minimum Rough Opening = window height + 3/4" (19)
Unobstructed Glass = window height - 4" (102)

CUSTOM SIZES AVAILABLE

Radius
Chord
Height

Shoulder Height

120" (3048)
120" (3048)
120" (3048)

11 11/16" (296)
13 21/32" (347)
15 7/8" (403)

59 1/4" (1505)
63 1/4" (1607)
67 1/4" (1708)
71 1/4" (1810)

5'-10 15/16" (1801)
6'-2 15/16" (1903)
6'-6 15/16" (2005)
6'-10 15/16" (2106)

6'-0 29/32" (1852)
6'-4 29/32" (1954)
6'-8 29/32" (2055)

6'-3 1/8" (1908)
6'-7 1/8" (2009)
6'-11 1/8" (2111)

ATAD8850*
ATAD8854*
ATAD8858*
ATAD8860*
ATAD9450*
ATAD9454*
ATAD9458*
ATAD10050*
ATAD10054*
ATAD10058*

- "Window Dimension" always refers to outside frame to frame dimension.
- "Minimum Rough Opening" dimensions may need to be increased to allow for use of building wraps, flashing, sill panning, brackets, fasteners or other items. See pages 236-237 for more details.
- Dimensions in parentheses are in millimeters.
- Tempered glass required. Some visual distortion may occur.

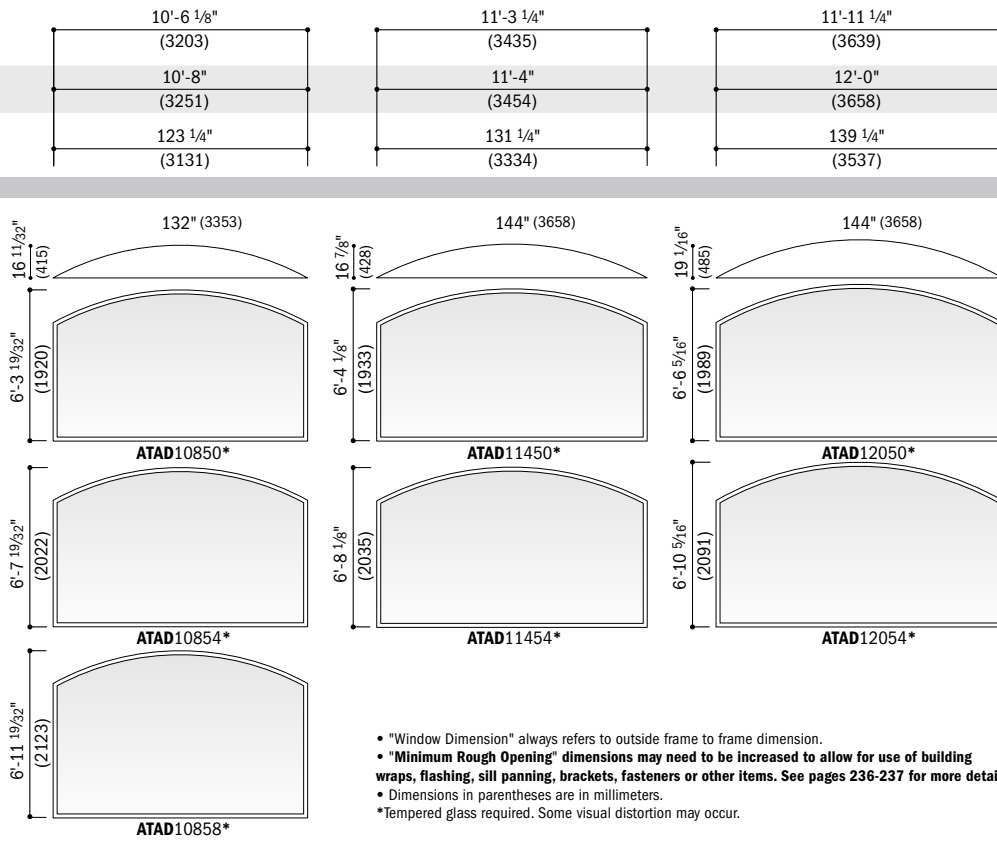
Sash-Set Arch Window Unobstructed Glass Dimensions and Area Specifications

Window Number	Unobstructed Glass Width Inches/(mm)	Unobstructed Glass Height Inches/(mm)	Glass Area Sq. Ft./ (m ²)
ATA2010	16 5/8" (421)	7 5/8" (193)	0.81 (0.08)
ATA2020	16 5/8" (421)	19 1/8" (498)	2.19 (0.20)
ATA2024	16 5/8" (421)	23 3/8" (599)	2.65 (0.25)
ATA2028	16 5/8" (421)	27 5/8" (701)	3.11 (0.29)
ATA2030	16 5/8" (421)	31 5/8" (803)	3.58 (0.33)
ATA2034	16 5/8" (421)	35 5/8" (904)	4.04 (0.37)
ATA2038	16 5/8" (421)	39 5/8" (1006)	4.50 (0.42)
ATA2040	16 5/8" (421)	43 5/8" (1107)	4.96 (0.46)
ATA2044	16 5/8" (421)	47 5/8" (1209)	5.42 (0.50)
ATA2048	16 5/8" (421)	51 5/8" (1311)	5.88 (0.55)
ATA2050	16 5/8" (421)	55 5/8" (1412)	6.34 (0.59)
ATA2054	16 5/8" (421)	59 5/8" (1514)	6.80 (0.63)
ATA2058	16 5/8" (421)	63 5/8" (1615)	7.26 (0.67)
ATA2060	16 5/8" (421)	67 5/8" (1717)	7.72 (0.72)
ATA2064	16 5/8" (421)	71 5/8" (1819)	8.18 (0.76)
ATA2068	16 5/8" (421)	75 5/8" (1920)	8.65 (0.80)
ATA2074	16 5/8" (421)	83 5/8" (2123)	9.57 (0.89)
ATA2080	16 5/8" (421)	91 5/8" (2327)	10.49 (0.97)
ATA2110	17 1/2" (444)	7 1/8" (181)	0.81 (0.07)
ATA2120	17 1/2" (444)	19 1/8" (486)	2.26 (0.21)
ATA2124	17 1/2" (444)	23 3/8" (587)	2.75 (0.26)
ATA2128	17 1/2" (444)	27 1/8" (689)	3.23 (0.30)
ATA2130	17 1/2" (444)	31 1/8" (791)	3.72 (0.35)
ATA2410	20 5/8" (523)	7 7/8" (200)	1.03 (0.10)
ATA2420	20 5/8" (523)	19 7/8" (505)	2.74 (0.25)
ATA2424	20 5/8" (523)	23 7/8" (606)	3.32 (0.31)
ATA2428	20 5/8" (523)	27 7/8" (708)	3.89 (0.36)
ATA2430	20 5/8" (523)	31 7/8" (809)	4.46 (0.41)
ATA2434	20 5/8" (523)	35 7/8" (911)	5.03 (0.47)
ATA2438	20 5/8" (523)	39 7/8" (1013)	5.60 (0.52)
ATA2440	20 5/8" (523)	43 7/8" (1114)	6.18 (0.57)
ATA2444	20 5/8" (523)	47 7/8" (1216)	6.75 (0.63)
ATA2448	20 5/8" (523)	51 7/8" (1317)	7.32 (0.68)
ATA2450	20 5/8" (523)	55 7/8" (1419)	7.89 (0.73)
ATA2454	20 5/8" (523)	59 7/8" (1521)	8.46 (0.79)
ATA2458	20 5/8" (523)	63 7/8" (1622)	9.04 (0.84)
ATA2460	20 5/8" (523)	67 7/8" (1724)	9.61 (0.89)
ATA2464	20 5/8" (523)	71 7/8" (1825)	10.18 (0.95)
ATA2468	20 5/8" (523)	75 7/8" (1927)	10.75 (1.00)
ATA2474	20 5/8" (523)	83 7/8" (2130)	11.90 (1.11)
ATA2480	20 5/8" (523)	91 7/8" (2333)	13.04 (1.21)
ATA2610	22 5/8" (574)	8 3/8" (213)	1.19 (0.11)
ATA2620	22 5/8" (574)	20 3/8" (518)	3.07 (0.29)
ATA2624	22 5/8" (574)	24 3/8" (620)	3.70 (0.34)
ATA2628	22 5/8" (574)	28 3/8" (721)	4.33 (0.40)
ATA2630	22 5/8" (574)	32 3/8" (823)	4.95 (0.46)
ATA2634	22 5/8" (574)	36 3/8" (925)	5.58 (0.52)
ATA2638	22 5/8" (574)	40 3/8" (1026)	6.21 (0.58)
ATA2640	22 5/8" (574)	44 3/8" (1128)	6.84 (0.64)
ATA2644	22 5/8" (574)	48 3/8" (1229)	7.47 (0.69)
ATA2648	22 5/8" (574)	52 3/8" (1331)	8.09 (0.75)
ATA2650	22 5/8" (574)	56 3/8" (1433)	8.72 (0.81)
ATA2654	22 5/8" (574)	60 3/8" (1534)	9.35 (0.87)
ATA2658	22 5/8" (574)	64 3/8" (1636)	9.98 (0.93)
ATA2660	22 5/8" (574)	68 3/8" (1737)	10.60 (0.99)
ATA2664	22 5/8" (574)	72 3/8" (1839)	11.23 (1.04)
ATA2668	22 5/8" (574)	76 3/8" (1941)	11.86 (1.10)
ATA2674	22 5/8" (574)	84 3/8" (2144)	13.11 (1.22)
ATA2680	22 5/8" (574)	92 3/8" (2347)	14.37 (1.33)

• Dimensions in parentheses are in millimeters or square meters.

continued on next page

Arch sizes on pages 84-99.



Custom-size windows are available in 1/8" (3) increments. Contact your Andersen supplier for more information.

Direct-set (ATAD) window sizes shown. Use window dimensions and minimum rough opening formula shown for sash-set (ATA) window sizes. For sash-set unobstructed glass dimensions, see pages 98-101.

Details shown on page 115.

Grille patterns shown on page 109.

- "Window Dimension" always refers to outside frame to frame dimension.
- "Minimum Rough Opening" dimensions may need to be increased to allow for use of building wraps, flashing, sill panning, brackets, fasteners or other items. See pages 236-237 for more details.
- Dimensions in parentheses are in millimeters.
- Tempered glass required. Some visual distortion may occur.

Sash-Set Arch Window Unobstructed Glass Dimensions and Area Specifications *(continued)*

Window Number	Unobstructed Glass Width Inches/(mm)	Unobstructed Glass Height Inches/(mm)	Glass Area Sq. Ft./(m ²)
ATA2710	23 1/2" (596)	7 7/8" (201)	1.17 (0.11)
ATA2720	23 1/2" (596)	19 7/8" (505)	3.13 (0.29)
ATA2724	23 1/2" (596)	23 7/8" (607)	3.78 (0.35)
ATA2728	23 1/2" (596)	27 7/8" (709)	4.43 (0.41)
ATA2730	23 1/2" (596)	31 7/8" (810)	5.08 (0.47)
ATA2810	24 3/8" (625)	8 3/16" (207)	1.26 (0.12)
ATA2820	24 3/8" (625)	20 3/16" (512)	3.31 (0.31)
ATA2824	24 3/8" (625)	24 3/16" (614)	3.99 (0.37)
ATA2828	24 3/8" (625)	28 3/16" (715)	4.68 (0.43)
ATA2830	24 3/8" (625)	32 3/16" (817)	5.36 (0.50)
ATA2834	24 3/8" (625)	36 3/16" (919)	6.04 (0.56)
ATA2838	24 3/8" (625)	40 3/16" (1020)	6.72 (0.62)
ATA2840	24 3/8" (625)	44 3/16" (1122)	7.41 (0.69)
ATA2844	24 3/8" (625)	48 3/16" (1223)	8.09 (0.75)
ATA2848	24 3/8" (625)	52 3/16" (1325)	8.77 (0.82)
ATA2850	24 3/8" (625)	56 3/16" (1427)	9.46 (0.88)
ATA2854	24 3/8" (625)	60 3/16" (1528)	10.14 (0.94)
ATA2858	24 3/8" (625)	64 3/16" (1630)	10.82 (1.01)
ATA2860	24 3/8" (625)	68 3/16" (1731)	11.51 (1.07)
ATA2864	24 3/8" (625)	72 3/16" (1833)	12.19 (1.13)
ATA2868	24 3/8" (625)	76 3/16" (1935)	12.87 (1.20)
ATA2874	24 3/8" (625)	84 3/16" (2138)	14.24 (1.32)
ATA2880	24 3/8" (625)	92 3/16" (2341)	15.61 (1.45)
ATA2910	25 1/2" (647)	8 3/8" (213)	1.33 (0.12)
ATA2920	25 1/2" (647)	20 3/8" (518)	3.45 (0.32)
ATA2924	25 1/2" (647)	24 3/8" (619)	4.16 (0.39)
ATA2928	25 1/2" (647)	28 3/8" (721)	4.87 (0.45)

Window Number	Unobstructed Glass Width Inches/(mm)	Unobstructed Glass Height Inches/(mm)	Glass Area Sq. Ft./(m ²)
ATA2930	25 1/2" (647)	32 3/8" (822)	5.58 (0.52)
ATA2910G	25 3/4" (653)	8 7/16" (214)	1.35 (0.13)
ATA2920G	25 3/4" (653)	20 7/16" (519)	3.50 (0.32)
ATA2924G	25 3/4" (653)	24 7/16" (621)	4.21 (0.39)
ATA2928G	25 3/4" (653)	28 7/16" (722)	4.92 (0.46)
ATA2930G	25 3/4" (653)	32 7/16" (824)	5.64 (0.52)
ATA21010	26 3/8" (675)	8 11/16" (220)	1.43 (0.13)
ATA21020	26 3/8" (675)	20 11/16" (525)	3.65 (0.34)
ATA21024	26 3/8" (675)	24 11/16" (626)	4.38 (0.41)
ATA21028	26 3/8" (675)	28 11/16" (728)	5.12 (0.48)
ATA21030	26 3/8" (675)	32 11/16" (830)	5.86 (0.54)
ATA21034	26 3/8" (675)	36 11/16" (931)	6.60 (0.61)
ATA21038	26 3/8" (675)	40 11/16" (1033)	7.34 (0.68)
ATA21040	26 3/8" (675)	44 11/16" (1134)	8.08 (0.75)
ATA21044	26 3/8" (675)	48 11/16" (1236)	8.82 (0.82)
ATA21048	26 3/8" (675)	52 11/16" (1338)	9.55 (0.89)
ATA21050	26 3/8" (675)	56 11/16" (1439)	10.29 (0.96)
ATA21054	26 3/8" (675)	60 11/16" (1541)	11.03 (1.02)
ATA21058	26 3/8" (675)	64 11/16" (1642)	11.77 (1.09)
ATA21060	26 3/8" (675)	68 11/16" (1744)	12.51 (1.16)
ATA21064	26 3/8" (675)	72 11/16" (1846)	13.25 (1.23)
ATA21068	26 3/8" (675)	76 11/16" (1947)	13.99 (1.30)
ATA21074	26 3/8" (675)	84 11/16" (2150)	15.46 (1.44)
ATA21080	26 3/8" (675)	92 11/16" (2354)	16.94 (1.57)
ATA3010	28 3/8" (726)	9 3/16" (234)	1.61 (0.15)
ATA3020	28 3/8" (726)	21 3/16" (539)	4.00 (0.37)
ATA3024	28 3/8" (726)	25 3/16" (640)	4.79 (0.45)

Window Number	Unobstructed Glass Width Inches/(mm)	Unobstructed Glass Height Inches/(mm)	Glass Area Sq. Ft./(m ²)
ATA3028	28 3/8" (726)	29 3/16" (742)	5.59 (0.52)
ATA3030	28 3/8" (726)	33 3/16" (843)	6.38 (0.59)
ATA3034	28 3/8" (726)	37 3/16" (945)	7.17 (0.67)
ATA3038	28 3/8" (726)	41 3/16" (1047)	7.97 (0.74)
ATA3040	28 3/8" (726)	45 3/16" (1148)	8.76 (0.81)
ATA3044	28 3/8" (726)	49 3/16" (1250)	9.56 (0.89)
ATA3048	28 3/8" (726)	53 3/16" (1351)	10.35 (0.96)
ATA3050	28 3/8" (726)	57 3/16" (1453)	11.15 (1.04)
ATA3054	28 3/8" (726)	61 3/16" (1555)	11.94 (1.11)
ATA3058	28 3/8" (726)	65 3/16" (1656)	12.73 (1.18)
ATA3060	28 3/8" (726)	69 3/16" (1758)	13.53 (1.26)
ATA3064	28 3/8" (726)	73 3/16" (1859)	14.32 (1.33)
ATA3068	28 3/8" (726)	77 3/16" (1961)	15.12 (1.40)
ATA3074	28 3/8" (726)	85 3/16" (2164)	16.71 (1.55)
ATA3080	28 3/8" (726)	93 3/16" (2367)	18.29 (1.70)
ATA3110	29 1/2" (749)	9 7/16" (240)	1.70 (0.16)
ATA3120	29 1/2" (749)	21 7/16" (545)	4.16 (0.39)
ATA3124	29 1/2" (749)	25 7/16" (647)	4.97 (0.46)
ATA3128	29 1/2" (749)	29 7/16" (748)	5.79 (0.54)
ATA3130	29 1/2" (749)	33 7/16" (850)	6.61 (0.61)
ATA3210	30 5/8" (777)	8 15/16" (227)	1.68 (0.16)
ATA3220	30 5/8" (777)	20 15/16" (532)	4.23 (0.39)
ATA3224	30 5/8" (777)	24 15/16" (634)	5.08 (0.47)
ATA3228	30 5/8" (777)	28 15/16" (735)	5.93 (0.55)
ATA3230	30 5/8" (777)	32 15/16" (837)	6.78 (0.63)

• Dimensions in parentheses are in millimeters or square meters.

continued on next page

SPECIALTY WINDOWS

Sash-Set Arch Window Unobstructed Glass Dimensions and Area Specifications *(continued)*

Window Number	Unobstructed Glass Width Inches/(mm)	Unobstructed Glass Height Inches/(mm)	Glass Area Sq. Ft./ (m ²)
ATA3234	30 5/8" (777)	36 15/16" (939)	7.63 (0.71)
ATA3238	30 5/8" (777)	40 15/16" (1040)	8.48 (0.79)
ATA3240	30 5/8" (777)	44 15/16" (1142)	9.33 (0.87)
ATA3244	30 5/8" (777)	48 15/16" (1243)	10.18 (0.95)
ATA3248	30 5/8" (777)	52 15/16" (1345)	11.03 (1.02)
ATA3250	30 5/8" (777)	56 15/16" (1447)	11.88 (1.10)
ATA3254	30 5/8" (777)	60 15/16" (1548)	12.73 (1.18)
ATA3258	30 5/8" (777)	64 15/16" (1650)	13.58 (1.26)
ATA3260	30 5/8" (777)	68 15/16" (1751)	14.43 (1.34)
ATA3264	30 5/8" (777)	72 15/16" (1853)	15.28 (1.42)
ATA3268	30 5/8" (777)	76 15/16" (1955)	16.13 (1.50)
ATA3274	30 5/8" (777)	84 15/16" (2158)	17.83 (1.66)
ATA3280	30 5/8" (777)	92 15/16" (2361)	19.53 (1.81)
ATA3310	31 1/2" (799)	9 3/16" (233)	1.76 (0.16)
ATA3320	31 1/2" (799)	21 3/16" (538)	4.39 (0.41)
ATA3324	31 1/2" (799)	25 3/16" (639)	5.26 (0.49)
ATA3328	31 1/2" (799)	29 3/16" (741)	6.14 (0.57)
ATA3330	31 1/2" (799)	33 3/16" (842)	7.01 (0.65)
ATA3310G	31 3/4" (806)	9 1/4" (235)	1.79 (0.17)
ATA3320G	31 3/4" (806)	21 1/4" (539)	4.43 (0.41)
ATA3324G	31 3/4" (806)	25 1/4" (641)	5.31 (0.49)
ATA3328G	31 3/4" (806)	29 1/4" (743)	6.19 (0.58)
ATA3330G	31 3/4" (806)	33 1/4" (844)	7.08 (0.66)
ATA3410	32 5/8" (828)	9 7/16" (240)	1.88 (0.17)
ATA3420	32 5/8" (828)	21 7/16" (545)	4.59 (0.43)
ATA3424	32 5/8" (828)	25 7/16" (647)	5.50 (0.51)
ATA3428	32 5/8" (828)	29 7/16" (748)	6.40 (0.59)
ATA3430	32 5/8" (828)	33 7/16" (850)	7.31 (0.68)
ATA3434	32 5/8" (828)	37 7/16" (952)	8.21 (0.76)
ATA3438	32 5/8" (828)	41 7/16" (1053)	9.12 (0.85)
ATA3440	32 5/8" (828)	45 7/16" (1155)	10.02 (0.93)
ATA3444	32 5/8" (828)	49 7/16" (1256)	10.93 (1.02)
ATA3448	32 5/8" (828)	53 7/16" (1358)	11.83 (1.10)
ATA3450	32 5/8" (828)	57 7/16" (1460)	12.74 (1.18)
ATA3454	32 5/8" (828)	61 7/16" (1561)	13.65 (1.27)
ATA3458	32 5/8" (828)	65 7/16" (1663)	14.55 (1.35)
ATA3460	32 5/8" (828)	69 7/16" (1764)	15.46 (1.44)
ATA3464	32 5/8" (828)	73 7/16" (1866)	16.36 (1.52)
ATA3468	32 5/8" (828)	77 7/16" (1968)	17.27 (1.60)
ATA3474	32 5/8" (828)	85 7/16" (2131)	19.08 (1.77)
ATA3480	32 5/8" (828)	93 7/16" (2374)	20.89 (1.94)
ATA3810	36 5/8" (929)	9 3/4" (247)	2.15 (0.20)
ATA3820	36 5/8" (929)	21 3/4" (552)	5.20 (0.48)
ATA3824	36 5/8" (929)	25 3/4" (654)	6.22 (0.58)
ATA3828	36 5/8" (929)	29 3/4" (755)	7.23 (0.67)
ATA3830	36 5/8" (929)	33 3/4" (857)	8.25 (0.77)
ATA3834	36 5/8" (929)	37 3/4" (959)	9.27 (0.86)
ATA3838	36 5/8" (929)	41 3/4" (1060)	10.28 (0.96)
ATA3840	36 5/8" (929)	45 3/4" (1162)	11.30 (1.05)
ATA3844	36 5/8" (929)	49 3/4" (1263)	12.31 (1.14)
ATA3848	36 5/8" (929)	53 3/4" (1365)	13.33 (1.24)
ATA3850	36 5/8" (929)	57 3/4" (1467)	14.35 (1.33)
ATA3854	36 5/8" (929)	61 3/4" (1568)	15.36 (1.43)
ATA3858	36 5/8" (929)	65 3/4" (1670)	16.38 (1.52)
ATA3860	36 5/8" (929)	69 3/4" (1771)	17.40 (1.62)
ATA3864	36 5/8" (929)	73 3/4" (1873)	18.41 (1.71)
ATA3868	36 5/8" (929)	77 3/4" (1975)	19.43 (1.81)
ATA3874	36 5/8" (929)	85 3/4" (2138)	21.46 (1.99)
ATA3880	36 5/8" (929)	93 3/4" (2381)	23.50 (2.18)
ATA3910	37 3/4" (958)	10" (255)	2.27 (0.21)
ATA3920	37 3/4" (958)	22" (560)	5.41 (0.50)

Window Number	Unobstructed Glass Width Inches/(mm)	Unobstructed Glass Height Inches/(mm)	Glass Area Sq. Ft./ (m ²)
ATA3924	37 3/4" (958)	26" (661)	6.46 (0.60)
ATA3928	37 3/4" (958)	30" (763)	7.51 (0.70)
ATA3930	37 3/4" (958)	34" (864)	8.56 (0.79)
ATA4010	40 5/8" (1031)	10 13/16" (275)	2.60 (0.24)
ATA4020	40 5/8" (1031)	22 13/16" (579)	5.98 (0.56)
ATA4024	40 5/8" (1031)	26 13/16" (681)	7.11 (0.66)
ATA4028	40 5/8" (1031)	30 13/16" (783)	8.24 (0.77)
ATA4030	40 5/8" (1031)	34 13/16" (884)	9.37 (0.87)
ATA4034	40 5/8" (1031)	38 13/16" (986)	10.49 (0.97)
ATA4038	40 5/8" (1031)	42 13/16" (1087)	11.62 (1.08)
ATA4040	40 5/8" (1031)	46 13/16" (1189)	12.75 (1.18)
ATA4044	40 5/8" (1031)	50 13/16" (1291)	13.88 (1.29)
ATA4048	40 5/8" (1031)	54 13/16" (1392)	15.00 (1.39)
ATA4050	40 5/8" (1031)	58 13/16" (1494)	16.13 (1.50)
ATA4054	40 5/8" (1031)	62 13/16" (1595)	17.26 (1.60)
ATA4058	40 5/8" (1031)	66 13/16" (1697)	18.39 (1.71)
ATA4060	40 5/8" (1031)	70 13/16" (1799)	19.51 (1.81)
ATA4064	40 5/8" (1031)	74 13/16" (1900)	20.64 (1.92)
ATA4068	40 5/8" (1031)	78 13/16" (2002)	21.77 (2.02)
ATA4074	40 5/8" (1031)	86 13/16" (2205)	24.02 (2.23)
ATA4080	40 5/8" (1031)	94 13/16" (2408)	26.28 (2.44)
ATA4310	43 3/4" (1110)	10 1/8" (257)	2.64 (0.25)
ATA4320	43 3/4" (1110)	22 1/8" (562)	6.28 (0.58)
ATA4324	43 3/4" (1110)	26 1/8" (664)	7.50 (0.70)
ATA4328	43 3/4" (1110)	30 1/8" (765)	8.71 (0.81)
ATA4330	43 3/4" (1110)	34 1/8" (867)	9.93 (0.92)
ATA4410	44 5/8" (1133)	10 5/16" (263)	2.74 (0.25)
ATA4420	44 5/8" (1133)	22 5/16" (567)	6.45 (0.60)
ATA4424	44 5/8" (1133)	26 5/16" (669)	7.69 (0.71)
ATA4428	44 5/8" (1133)	30 5/16" (771)	8.93 (0.83)
ATA4430	44 5/8" (1133)	34 5/16" (872)	10.17 (0.94)
ATA4434	44 5/8" (1133)	38 5/16" (974)	11.41 (1.06)
ATA4438	44 5/8" (1133)	42 5/16" (1075)	12.65 (1.18)
ATA4440	44 5/8" (1133)	46 5/16" (1177)	13.89 (1.29)
ATA4444	44 5/8" (1133)	50 5/16" (1279)	15.13 (1.41)
ATA4448	44 5/8" (1133)	54 5/16" (1380)	16.36 (1.52)
ATA4450	44 5/8" (1133)	58 5/16" (1482)	17.60 (1.64)
ATA4454	44 5/8" (1133)	62 5/16" (1583)	18.84 (1.75)
ATA4458	44 5/8" (1133)	66 5/16" (1685)	20.08 (1.87)
ATA4460	44 5/8" (1133)	70 5/16" (1787)	21.32 (1.98)
ATA4464	44 5/8" (1133)	74 5/16" (1888)	22.56 (2.10)
ATA4468	44 5/8" (1133)	78 5/16" (1990)	23.80 (2.21)
ATA4474	44 5/8" (1133)	86 5/16" (2193)	26.27 (2.44)
ATA4480	44 5/8" (1133)	94 5/16" (2396)	28.75 (2.67)
ATA4810	48 5/8" (1234)	11 5/16" (288)	3.22 (0.30)
ATA4820	48 5/8" (1234)	23 5/16" (593)	7.27 (0.68)
ATA4824	48 5/8" (1234)	27 5/16" (694)	8.62 (0.80)
ATA4828	48 5/8" (1234)	31 5/16" (796)	9.97 (0.93)
ATA4830	48 5/8" (1234)	35 5/16" (897)	11.32 (1.05)
ATA4834	48 5/8" (1234)	39 5/16" (999)	12.67 (1.18)
ATA4838	48 5/8" (1234)	43 5/16" (1101)	14.02 (1.30)
ATA4840	48 5/8" (1234)	47 5/16" (1202)	15.37 (1.43)
ATA4844	48 5/8" (1234)	51 5/16" (1304)	16.72 (1.55)
ATA4848	48 5/8" (1234)	55 5/16" (1405)	18.07 (1.68)
ATA4850	48 5/8" (1234)	59 5/16" (1507)	19.42 (1.80)
ATA4854	48 5/8" (1234)	63 5/16" (1609)	20.77 (1.93)
ATA4858	48 5/8" (1234)	67 5/16" (1710)	22.12 (2.05)
ATA4860	48 5/8" (1234)	71 5/16" (1812)	23.47 (2.18)
ATA4864	48 5/8" (1234)	75 5/16" (1913)	24.82 (2.31)
ATA4868	48 5/8" (1234)	79 5/16" (2015)	26.17 (2.43)
ATA4874	48 5/8" (1234)	87 5/16" (2218)	28.87 (2.68)

Window Number	Unobstructed Glass Width Inches/(mm)	Unobstructed Glass Height Inches/(mm)	Glass Area Sq. Ft./ (m ²)
ATA4880	48 5/8" (1234)	95 5/16" (2421)	31.57 (2.93)
ATA5010	52 5/8" (1336)	12 7/16" (315)	3.77 (0.35)
ATA5020	52 5/8" (1336)	24 7/16" (620)	8.15 (0.76)
ATA5024	52 5/8" (1336)	28 7/16" (722)	9.61 (0.89)
ATA5028	52 5/8" (1336)	32 7/16" (823)	11.07 (1.03)
ATA5030	52 5/8" (1336)	36 7/16" (925)	12.53 (1.16)
ATA5034	52 5/8" (1336)	40 7/16" (1027)	13.99 (1.30)
ATA5038	52 5/8" (1336)	44 7/16" (1128)	15.45 (1.44)
ATA5040	52 5/8" (1336)	48 7/16" (1230)	16.92 (1.57)
ATA5044	52 5/8" (1336)	52 7/16" (1331)	18.38 (1.71)
ATA5048	52 5/8" (1336)	56 7/16" (1433)	19.84 (1.84)
ATA5050	52 5/8" (1336)	60 7/16" (1535)	21.30 (1.98)
ATA5054	52 5/8" (1336)	64 7/16" (1636)	22.76 (2.11)
ATA5058	52 5/8" (1336)	68 7/16" (1738)	24.22 (2.25)
ATA5060	52 5/8" (1336)	72 7/16" (1839)	25.68 (2.39)
ATA5064	52 5/8" (1336)	76 7/16" (1941)	27.14 (2.52)
ATA5068	52 5/8" (1336)	80 7/16" (2043)	28.60 (2.66)
ATA5074	52 5/8" (1336)	88 7/16" (2246)	31.52 (2.93)
ATA5080	52 5/8" (1336)	96 7/16" (2449)	34.45 (3.20)
ATA5410	56 5/8" (1437)	11 15/16" (303)	3.90 (0.36)
ATA5420	56 5/8" (1437)	23 15/16" (607)	8.61 (0.80)
ATA5424	56 5/8" (1437)	27 15/16" (709)	10.18 (0.95)
ATA5428	56 5/8" (1437)	31 15/16" (811)	11.76 (1.09)
ATA5430	56 5/8" (1437)	35 15/16" (912)	13.33 (1.24)
ATA5434	56 5/8" (1437)	39 15/16" (1014)	14.90 (1.38)
ATA5438	56 5/8" (1437)	43 15/16" (1115)	16.47 (1.53)
ATA5440	56 5/8" (1437)	47 15/16" (1213)	18.05 (1.68)
ATA5444	56 5/8" (1437)	51 15/16" (1319)	19.62 (1.82)
ATA5448	56 5/8" (1437)	55 15/16" (1420)	21.19 (1.97)
ATA5450	56 5/8" (1437)	59 15/16" (1522)	22.76 (2.11)
ATA5454	56 5/8" (1437)	63 15/16" (1623)	24.33 (2.26)
ATA5458	56 5/8" (1437)	67 15/16" (1725)	25.91 (2.41)
ATA5460	56 5/8" (1437)	71 15/16" (1827)	27.48 (2.55)
ATA5464	56 5/8" (1437)	75 15/16" (1928)	29.05 (2.70)
ATA5468	56 5/8" (1437)	79 15/16" (2030)	30.62 (2.84)
ATA5474	56 5/8" (1437)	87 15/16" (2233)	33.77 (3.14)
ATA5480	56 5/8" (1437)	95 15/16" (2436)	36.91 (3.43)
ATA5810	60 5/8" (1539)	12 15/16" (328)	4.47 (0.42)
ATA5820	60 5/8" (1539)	24 15/16" (633)	9.52 (0.88)
ATA5824	60 5/8" (1539)	28 15/16" (735)	11.21 (1.04)
ATA5828	60 5/8" (1539)	32 15/16" (836)	12.89 (1.20)
ATA5830	60 5/8" (1539)	36 15/16" (938)	14.57 (1.35)
ATA5834	60 5/8" (1539)	40 15/16" (1040)	16.26 (1.51)
ATA5838	60 5/8" (1539)	44 15/16" (1141)	17.94 (1.67)
ATA5840	60 5/8" (1539)	48 15/16" (1243)	19.62 (1.82)
ATA5844	60 5/8" (1539)	52 15/16" (1344)	21.30 (1.98)
ATA5848	60 5/8" (1539)	56 15/16" (1446)	22.99 (2.14)
ATA5850	60 5/8" (1539)	60 15/16" (1548)	24.67 (2.29)
ATA5854	60 5/8" (1539)	64 15/16" (1649)	26.35 (2.45)
ATA5858	60 5/8" (1539)	68 15/16" (1751)	28.04 (2.60)
ATA5860	60 5/8" (1539)	72 15/16" (1852)	29.72 (2.76)
ATA5864	60 5/8" (1539)	76 15/16" (1954)	31.40 (2.92)
ATA5868	60 5/8" (1539)	80 15/16" (2056)	33.09 (3.07)
ATA5874	60 5/8" (1539)	88 15/16" (2259)	36.45 (3.39)
ATA5880	60 5/8" (1539)	96 15/16" (2462)	39.82 (3.70)
ATA6010	64 5/8" (1641)	14" (356)	5.11 (0.48)
ATA6020	64 5/8" (1641)	26" (661)	10.50 (0.98)
ATA6024	64 5/8" (1641)	30" (763)	12.29 (1.14)
ATA6028	64 5/8" (1641)	34" (864)	14.09 (1.31)
ATA6030	64 5/8" (1641)	38" (966)	15.88 (1.48)

• Dimensions in parentheses are in millimeters or square meters.

Sash-Set Arch Window Unobstructed Glass
Dimensions and Area Specifications *(continued)*

Window Number	Unobstructed Glass Width Inches/(mm)	Unobstructed Glass Height Inches/(mm)	Glass Area Sq. Ft./ (m ²)
ATA6034	64 5/8" (1641)	42" (1067)	17.67 (1.64)
ATA6038	64 5/8" (1641)	46" (1169)	19.47 (1.81)
ATA6040	64 5/8" (1641)	50" (1271)	21.26 (1.98)
ATA6044	64 5/8" (1641)	54" (1372)	23.06 (2.14)
ATA6048	64 5/8" (1641)	58" (1474)	24.85 (2.31)
ATA6050	64 5/8" (1641)	62" (1575)	26.65 (2.48)
ATA6054	64 5/8" (1641)	66" (1677)	28.44 (2.64)
ATA6058	64 5/8" (1641)	70" (1779)	30.23 (2.81)
ATA6060	64 5/8" (1641)	74" (1880)	32.03 (2.98)
ATA6064	64 5/8" (1641)	78" (1982)	33.82 (3.14)
ATA6068	64 5/8" (1641)	82" (2083)	35.62 (3.31)
ATA6074	64 5/8" (1641)	90" (2287)	39.21 (3.64)
ATA6080	64 5/8" (1641)	98" (2490)	42.79 (3.98)
ATA6410	68 5/8" (1742)	13 1/2" (343)	5.24 (0.49)
ATA6420	68 5/8" (1742)	25 1/2" (647)	10.95 (1.02)
ATA6424	68 5/8" (1742)	29 1/2" (749)	12.86 (1.19)
ATA6428	68 5/8" (1742)	33 1/2" (851)	14.76 (1.37)
ATA6430	68 5/8" (1742)	37 1/2" (952)	16.67 (1.55)
ATA6434	68 5/8" (1742)	41 1/2" (1054)	18.57 (1.73)
ATA6438	68 5/8" (1742)	45 1/2" (1155)	20.48 (1.90)
ATA6440	68 5/8" (1742)	49 1/2" (1257)	22.38 (2.08)
ATA6444	68 5/8" (1742)	53 1/2" (1359)	24.29 (2.26)
ATA6448	68 5/8" (1742)	57 1/2" (1460)	26.19 (2.43)
ATA6450	68 5/8" (1742)	61 1/2" (1562)	28.10 (2.61)
ATA6454	68 5/8" (1742)	65 1/2" (1663)	30.01 (2.79)
ATA6458	68 5/8" (1742)	69 1/2" (1765)	31.91 (2.96)
ATA6460	68 5/8" (1742)	73 1/2" (1867)	33.82 (3.14)
ATA6464	68 5/8" (1742)	77 1/2" (1968)	35.72 (3.32)
ATA6468	68 5/8" (1742)	81 1/2" (2070)	37.63 (3.50)
ATA6474	68 5/8" (1742)	89 1/2" (2273)	41.44 (3.85)
ATA6480	68 5/8" (1742)	97 1/2" (2476)	45.25 (4.20)
ATA6810	72 5/8" (1844)	14 1/2" (369)	5.91 (0.55)
ATA6820	72 5/8" (1844)	26 1/2" (674)	11.96 (1.11)
ATA6824	72 5/8" (1844)	30 1/2" (775)	13.97 (1.30)
ATA6828	72 5/8" (1844)	34 1/2" (877)	15.99 (1.49)
ATA6830	72 5/8" (1844)	38 1/2" (979)	18.01 (1.67)
ATA6834	72 5/8" (1844)	42 1/2" (1080)	20.02 (1.86)
ATA6838	72 5/8" (1844)	46 1/2" (1182)	22.04 (2.05)
ATA6840	72 5/8" (1844)	50 1/2" (1283)	24.05 (2.23)
ATA6844	72 5/8" (1844)	54 1/2" (1385)	26.07 (2.42)
ATA6848	72 5/8" (1844)	58 1/2" (1487)	28.09 (2.61)
ATA6850	72 5/8" (1844)	62 1/2" (1588)	30.10 (2.80)
ATA6854	72 5/8" (1844)	66 1/2" (1690)	32.12 (2.98)
ATA6858	72 5/8" (1844)	70 1/2" (1791)	34.14 (3.17)
ATA6860	72 5/8" (1844)	74 1/2" (1893)	36.15 (3.36)
ATA6864	72 5/8" (1844)	78 1/2" (1995)	38.17 (3.55)
ATA6868	72 5/8" (1844)	82 1/2" (2096)	40.19 (3.73)
ATA6874	72 5/8" (1844)	90 1/2" (2299)	44.22 (4.11)
ATA6880	72 5/8" (1844)	98 1/2" (2503)	48.25 (4.48)
ATA7010	76 5/8" (1945)	15 5/8" (397)	6.64 (0.62)
ATA7020	76 5/8" (1945)	27 5/8" (702)	13.03 (1.21)
ATA7024	76 5/8" (1945)	31 5/8" (803)	15.15 (1.41)
ATA7028	76 5/8" (1945)	35 5/8" (905)	17.28 (1.61)
ATA7030	76 5/8" (1945)	39 5/8" (1007)	19.41 (1.80)
ATA7034	76 5/8" (1945)	43 5/8" (1108)	21.54 (2.00)
ATA7038	76 5/8" (1945)	47 5/8" (1210)	23.66 (2.20)
ATA7040	76 5/8" (1945)	51 5/8" (1311)	25.79 (2.40)
ATA7044	76 5/8" (1945)	55 5/8" (1413)	27.92 (2.59)
ATA7048	76 5/8" (1945)	59 5/8" (1515)	30.05 (2.79)
ATA7050	76 5/8" (1945)	63 5/8" (1616)	32.18 (2.99)
ATA7054	76 5/8" (1945)	67 5/8" (1718)	34.30 (3.19)

Window Number	Unobstructed Glass Width Inches/(mm)	Unobstructed Glass Height Inches/(mm)	Glass Area Sq. Ft./ (m ²)
ATA7058	76 5/8" (1945)	71 5/8" (1819)	36.43 (3.38)
ATA7060	76 5/8" (1945)	75 5/8" (1921)	38.56 (3.58)
ATA7064	76 5/8" (1945)	79 5/8" (2023)	40.69 (3.78)
ATA7068	76 5/8" (1945)	83 5/8" (2124)	42.81 (3.98)
ATA7074	76 5/8" (1945)	91 5/8" (2327)	47.07 (4.37)
ATA7080	76 5/8" (1945)	99 5/8" (2531)	51.32 (4.77)
ATA7410	80 5/8" (2047)	15 1/8" (383)	6.76 (0.63)
ATA7420	80 5/8" (2047)	27 1/8" (688)	13.47 (1.25)
ATA7424	80 5/8" (2047)	31 1/8" (789)	15.71 (1.46)
ATA7428	80 5/8" (2047)	35 1/8" (891)	17.95 (1.67)
ATA7430	80 5/8" (2047)	39 1/8" (993)	20.19 (1.88)
ATA7434	80 5/8" (2047)	43 1/8" (1094)	22.43 (2.08)
ATA7438	80 5/8" (2047)	47 1/8" (1196)	24.66 (2.29)
ATA7440	80 5/8" (2047)	51 1/8" (1297)	26.90 (2.50)
ATA7444	80 5/8" (2047)	55 1/8" (1399)	29.14 (2.71)
ATA7448	80 5/8" (2047)	59 1/8" (1501)	31.38 (2.92)
ATA7450	80 5/8" (2047)	63 1/8" (1602)	33.62 (3.12)
ATA7454	80 5/8" (2047)	67 1/8" (1704)	35.86 (3.33)
ATA7458	80 5/8" (2047)	71 1/8" (1805)	38.10 (3.54)
ATA7460	80 5/8" (2047)	75 1/8" (1907)	40.34 (3.75)
ATA71110	87 13/16" (2230)	17" (432)	8.18 (0.76)
ATA71120	87 13/16" (2230)	29" (737)	15.49 (1.44)
ATA71124	87 13/16" (2230)	33" (838)	17.93 (1.67)
ATA71128	87 13/16" (2230)	37" (940)	20.37 (1.89)
ATA71130	87 13/16" (2230)	41" (1042)	22.81 (2.12)
ATA8010	88 5/8" (2250)	17 1/4" (438)	8.35 (0.78)
ATA8020	88 5/8" (2250)	29 1/4" (743)	15.74 (1.46)
ATA8024	88 5/8" (2250)	33 1/4" (844)	18.20 (1.69)
ATA8028	88 5/8" (2250)	37 1/4" (946)	20.66 (1.92)
ATA8030	88 5/8" (2250)	41 1/4" (1047)	23.12 (2.15)
ATA8034	88 5/8" (2250)	45 1/4" (1149)	25.58 (2.38)
ATA8038	88 5/8" (2250)	49 1/4" (1251)	28.04 (2.61)
ATA8040	88 5/8" (2250)	53 1/4" (1352)	30.50 (2.83)
ATA8044	88 5/8" (2250)	57 1/4" (1454)	32.96 (3.06)
ATA8048	88 5/8" (2250)	61 1/4" (1555)	35.42 (3.29)
ATA8050	88 5/8" (2250)	65 1/4" (1657)	37.89 (3.52)
ATA8054	88 5/8" (2250)	69 1/4" (1759)	40.35 (3.75)
ATA8058	88 5/8" (2250)	73 1/4" (1860)	42.81 (3.98)
ATA8060	88 5/8" (2250)	77 1/4" (1962)	45.27 (4.21)
ATA8810	96 5/8" (2453)	16 1/4" (413)	8.61 (0.80)
ATA8820	96 5/8" (2453)	28 1/4" (718)	16.66 (1.55)
ATA8824	96 5/8" (2453)	32 1/4" (820)	19.35 (1.80)
ATA8828	96 5/8" (2453)	36 1/4" (921)	22.03 (2.05)
ATA8830	96 5/8" (2453)	40 1/4" (1023)	24.71 (2.30)
ATA8834	96 5/8" (2453)	44 1/4" (1124)	27.40 (2.55)
ATA8838	96 5/8" (2453)	48 1/4" (1226)	30.08 (2.79)
ATA8840	96 5/8" (2453)	52 1/4" (1328)	32.76 (3.04)
ATA8844	96 5/8" (2453)	56 1/4" (1429)	35.45 (3.29)
ATA8848	96 5/8" (2453)	60 1/4" (1531)	38.13 (3.54)
ATA8850	96 5/8" (2453)	64 1/4" (1632)	40.81 (3.79)
ATA8854	96 5/8" (2453)	68 1/4" (1734)	43.50 (4.04)
ATA8858	96 5/8" (2453)	72 1/4" (1836)	46.18 (4.29)
ATA8860	96 5/8" (2453)	76 1/4" (1937)	48.86 (4.54)
ATA81110	99 13/16" (2534)	17 1/8" (433)	9.27 (0.86)
ATA81120	99 13/16" (2534)	29 1/8" (738)	17.59 (1.63)
ATA81124	99 13/16" (2534)	33 1/8" (839)	20.36 (1.89)
ATA81128	99 13/16" (2534)	37 1/8" (941)	23.13 (2.15)
ATA81130	99 13/16" (2534)	41 1/8" (1042)	25.90 (2.41)
ATA9410	104 5/8" (2657)	18 1/4" (464)	10.34 (0.96)
ATA9420	104 5/8" (2657)	30 1/4" (769)	19.05 (1.77)
ATA9424	104 5/8" (2657)	34 1/4" (870)	21.96 (2.04)

Window Number	Unobstructed Glass Width Inches/(mm)	Unobstructed Glass Height Inches/(mm)	Glass Area Sq. Ft./ (m ²)
ATA9428	104 5/8" (2657)	38 1/4" (972)	24.86 (2.31)
ATA9430	104 5/8" (2657)	42 1/4" (1074)	27.77 (2.58)
ATA9434	104 5/8" (2657)	46 1/4" (1175)	30.67 (2.85)
ATA9438	104 5/8" (2657)	50 1/4" (1277)	33.58 (3.12)
ATA9440	104 5/8" (2657)	54 1/4" (1378)	36.49 (3.39)
ATA9444	104 5/8" (2657)	58 1/4" (1480)	39.39 (3.66)
ATA9448	104 5/8" (2657)	62 1/4" (1582)	42.30 (3.93)
ATA9450	104 5/8" (2657)	66 1/4" (1683)	45.20 (4.20)
ATA9454	104 5/8" (2657)	70 1/4" (1785)	48.11 (4.47)
ATA9458	104 5/8" (2657)	74 1/4" (1886)	51.01 (4.74)
ATA10010	112 5/8" (2860)	20 7/8" (520)	12.32 (1.14)
ATA10020	112 5/8" (2860)	32 7/8" (824)	21.70 (2.02)
ATA10024	112 5/8" (2860)	36 7/8" (926)	24.83 (2.31)
ATA10028	112 5/8" (2860)	40 7/8" (1028)	27.96 (2.60)
ATA10030	112 5/8" (2860)	44 7/8" (1129)	31.08 (2.89)
ATA10034	112 5/8" (2860)	48 7/8" (1231)	34.21 (3.18)
ATA10038	112 5/8" (2860)	52 7/8" (1332)	37.34 (3.47)
ATA10040	112 5/8" (2860)	56 7/8" (1434)	40.47 (3.76)
ATA10044	112 5/8" (2860)	60 7/8" (1536)	43.59 (4.05)
ATA10048	112 5/8" (2860)	64 7/8" (1637)	46.72 (4.34)
ATA10050	112 5/8" (2860)	68 7/8" (1739)	49.85 (4.63)
ATA10054	112 5/8" (2860)	72 7/8" (1840)	52.98 (4.92)
ATA10058	112 5/8" (2860)	76 7/8" (1942)	56.11 (5.21)
ATA10810	120 5/8" (3063)	20 7/8" (532)	13.45 (1.25)
ATA10820	120 5/8" (3063)	32 7/8" (837)	23.50 (2.18)
ATA10824	120 5/8" (3063)	36 7/8" (938)	26.85 (2.49)
ATA10828	120 5/8" (3063)	40 7/8" (1040)	30.20 (2.81)
ATA10830	120 5/8" (3063)	44 7/8" (1141)	33.55 (3.12)
ATA10834	120 5/8" (3063)	48 7/8" (1243)	36.90 (3.43)
ATA10838	120 5/8" (3063)	52 7/8" (1345)	40.25 (3.74)
ATA10840	120 5/8" (3063)	56 7/8" (1446)	43.60 (4.05)
ATA10844	120 5/8" (3063)	60 7/8" (1548)	46.95 (4.36)
ATA10848	120 5/8" (3063)	64 7/8" (1649)	50.30 (4.67)
ATA10850	120 5/8" (3063)	68 7/8" (1751)	53.65 (4.98)
ATA10854	120 5/8" (3063)	72 7/8" (1853)	57.00 (5.30)
ATA10858	120 5/8" (3063)	76 7/8" (1954)	60.35 (5.61)
ATA11410	128 5/8" (3266)	20 7/8" (545)	14.64 (1.36)
ATA11420	128 5/8" (3266)	32 7/8" (850)	25.36 (2.36)
ATA11424	128 5/8" (3266)	36 7/8" (952)	28.93 (2.69)
ATA11428	128 5/8" (3266)	40 7/8" (1053)	32.50 (3.02)
ATA11430	128 5/8" (3266)	44 7/8" (1155)	36.07 (3.35)
ATA11434	128 5/8" (3266)	48 7/8" (1256)	39.65 (3.68)
ATA11438	128 5/8" (3266)	52 7/8" (1358)	43.22 (4.02)
ATA11440	128 5/8" (3266)	56 7/8" (1460)	46.79 (4.35)
ATA11444	128 5/8" (3266)	60 7/8" (1561)	50.36 (4.68)
ATA11448	128 5/8" (3266)	64 7/8" (1663)	53.94 (5.01)
ATA11450	128 5/8" (3266)	68 7/8" (1764)	57.51 (5.34)
ATA11454	128 5/8" (3266)	72 7/8" (1866)	61.08 (5.67)
ATA12010	136 5/8" (3469)	20 7/8" (601)	17.01 (1.58)
ATA12020	136 5/8" (3469)	32 7/8" (906)	28.39 (2.64)
ATA12024	136 5/8" (3469)	36 7/8" (1008)	32.19 (2.99)
ATA12028	136 5/8" (3469)	40 7/8" (1109)	35.98 (3.34)
ATA12030	136 5/8" (3469)	44 7/8" (1211)	39.77 (3.70)
ATA12034	136 5/8" (3469)	48 7/8" (1312)	43.57 (4.05)
ATA12038	136 5/8" (3469)	52 7/8" (1414)	47.36 (4.40)
ATA12040	136 5/8" (3469)	56 7/8" (1516)	51.16 (4.75)
ATA12044	136 5/8" (3469)	60 7/8" (1617)	54.95 (5.10)
ATA12048	136 5/8" (3469)	64 7/8" (1719)	58.75 (5.46)
ATA12050	136 5/8" (3469)	68 7/8" (1820)	62.54 (5.81)
ATA12054	136 5/8" (3469)	72 7/8" (1922)	66.33 (6.16)

• Dimensions in parentheses are in millimeters or square meters.

SPECIALTY WINDOWS

Table of Direct-Set Springline™ Window Sizes

Scale 1/8" (3) = 1'-0" (305) – 1:96

Notes on page 110 also apply to this page.

Window Width Dimension	1'-7 1/4" (489)	1'-11 1/4" (591)	2'-3 1/4" (692)	2'-5 1/4" (743)	2'-7 1/4" (794)	2'-9 1/4" (845)	2'-11 1/4" (895)	3'-1 1/4" (946)	3'-3 1/4" (997)
Minimum Rough Opening	1'-8" (508)	2'-0" (610)	2'-4" (711)	2'-6" (762)	2'-8" (813)	2'-10" (864)	3'-0" (914)	3'-2" (965)	3'-4" (1016)
Unobstructed Glass	15 1/4" (387)	19 1/4" (489)	23 1/4" (591)	25 1/4" (641)	27 1/4" (692)	29 1/4" (743)	31 1/4" (794)	33 1/4" (845)	35 1/4" (895)

CUSTOM SIZES AVAILABLE

Window height shown in table

Radius	9 5/8" (244)	11 5/8" (295)	13 5/8" (346)	14 5/8" (371)	15 5/8" (397)	16 5/8" (422)	17 5/8" (448)	18 5/8" (473)	19 5/8" (498)
--------	--------------	---------------	---------------	---------------	---------------	---------------	---------------	---------------	---------------

Chord Height	9 5/8" (244)	11 5/8" (295)	13 5/8" (346)	14 5/8" (371)	15 5/8" (397)	16 5/8" (422)	17 5/8" (448)	18 5/8" (473)	19 5/8" (498)
--------------	--------------	---------------	---------------	---------------	---------------	---------------	---------------	---------------	---------------

Shoulder Height	6 1/4" (159)	1'-3 7/8" (403)	1'-5 7/8" (454)	1'-7 7/8" (505)	1'-8 7/8" (530)	1'-9 7/8" (556)	1'-10 7/8" (581)	1'-11 7/8" (606)	2'-0 7/8" (632)	2'-1 7/8" (657)
	ATSD1807	ATSD2007	ATSD2407	ATSD2607	ATSD2807	ATSD21007	ATSD3007	ATSD3207	ATSD3407	

Shoulder Height	11 1/4" (286)	1'-8 7/8" (530)	1'-10 7/8" (581)	2'-0 7/8" (632)	2'-1 7/8" (657)	2'-2 7/8" (683)	2'-3 7/8" (708)	2'-4 7/8" (733)	2'-5 7/8" (759)	2'-6 7/8" (784)
	ATSD1810	ATSD2010	ATSD2410	ATSD2610	ATSD2810	ATSD21010	ATSD3010	ATSD3210	ATSD3410	

Shoulder Height	23 1/4" (591)	2'-8 7/8" (635)	2'-10 7/8" (686)	3'-0 7/8" (937)	3'-1 7/8" (962)	3'-2 7/8" (987)	3'-3 7/8" (1013)	3'-4 7/8" (1038)	3'-5 7/8" (1064)	3'-6 7/8" (1089)
	ATSD1820	ATSD2020	ATSD2420	ATSD2620	ATSD2820	ATSD21020	ATSD3020	ATSD3220	ATSD3420	

Shoulder Height	27 1/4" (692)	3'-0 7/8" (937)	3'-2 7/8" (987)	3'-4 7/8" (1038)	3'-5 7/8" (1064)	3'-6 7/8" (1089)	3'-7 7/8" (1114)	3'-8 7/8" (1140)	3'-9 7/8" (1166)	3'-10 7/8" (1191)
	ATSD1824	ATSD2024	ATSD2424	ATSD2624	ATSD2824	ATSD21024	ATSD3024	ATSD3224	ATSD3424	

Shoulder Height	31 1/4" (794)	3'-4 7/8" (1038)	3'-6 7/8" (1089)	3'-8 7/8" (1140)	3'-9 7/8" (1166)	3'-10 7/8" (1191)	3'-11 7/8" (1216)	4'-0 7/8" (1241)	4'-1 7/8" (1267)	4'-2 7/8" (1292)
	ATSD1828	ATSD2028	ATSD2428	ATSD2628	ATSD2828	ATSD21028	ATSD3028	ATSD3228	ATSD3428	

Shoulder Height	35 1/4" (895)	3'-8 7/8" (1140)	3'-10 7/8" (1191)	4'-0 7/8" (1241)	4'-1 7/8" (1267)	4'-2 7/8" (1292)	4'-3 7/8" (1318)	4'-4 7/8" (1343)	4'-5 7/8" (1368)	4'-6 7/8" (1394)
	ATSD1830	ATSD2030	ATSD2430	ATSD2630	ATSD2830	ATSD21030	ATSD3030	ATSD3230	ATSD3430	

Shoulder Height	39 1/4" (997)	4'-0 7/8" (1241)	4'-2 7/8" (1292)	4'-4 7/8" (1343)	4'-5 7/8" (1368)	4'-6 7/8" (1394)	4'-7 7/8" (1419)	4'-8 7/8" (1445)	4'-9 7/8" (1470)	4'-10 7/8" (1495)
	ATSD1834	ATSD2034	ATSD2434	ATSD2634	ATSD2834	ATSD21034	ATSD3034	ATSD3234	ATSD3434	

Shoulder Height	43 1/4" (1099)	4'-4 7/8" (1343)	4'-6 7/8" (1394)	4'-8 7/8" (1445)	4'-9 7/8" (1470)	4'-10 7/8" (1495)	4'-11 7/8" (1521)	5'-0 7/8" (1546)	5'-1 7/8" (1572)	5'-2 7/8" (1597)
	ATSD1838	ATSD2038	ATSD2438	ATSD2638	ATSD2838	ATSD21038	ATSD3038	ATSD3238	ATSD3438	

Minimum Rough Opening = window height + 3/4" (19)
Unobstructed Glass = window height - 4" (102)
CUSTOM SIZES AVAILABLE

- "Window Dimension" always refers to outside frame to frame dimension.
- "Minimum Rough Opening" dimensions may need to be increased to allow for use of building wraps, flashing, sill panning, brackets, fasteners or other items. See pages 236-237 for more details.
- Dimensions in parentheses are in millimeters.



Notes on page 110 also apply to this page. Springline™ sizes on pages 102-112.

3'-7 1/4" (1099)	3'-11 1/4" (1200)	4'-3 1/4" (1302)	4'-7 1/4" (1403)	4'-11 1/4" (1505)	5'-3 1/4" (1607)	5'-7 1/4" (1708)	5'-11 1/4" (1810)
3'-8" (1118)	4'-0" (1219)	4'-4" (1321)	4'-8" (1422)	5'-0" (1524)	5'-4" (1626)	5'-8" (1727)	6'-0" (1829)
39 1/4" (997)	43 1/4" (1099)	47 1/4" (1200)	51 1/4" (1302)	55 1/4" (1403)	59 1/4" (1505)	63 1/4" (1607)	67 1/4" (1708)
21 5/8" (549)	23 5/8" (600)	25 5/8" (651)	27 5/8" (702)	29 5/8" (752)	31 5/8" (803)	33 5/8" (854)	35 5/8" (905)
21 5/8" (549)	23 5/8" (600)	25 5/8" (651)	27 5/8" (702)	29 5/8" (752)	31 5/8" (803)	33 5/8" (854)	35 5/8" (905)
2'-3 7/8" (708)	2'-5 7/8" (759)	2'-7 7/8" (810)	2'-9 7/8" (860)	2'-11 7/8" (911)	3'-1 7/8" (962)	3'-3 7/8" (1013)	3'-5 7/8" (1064)
ATSD3807	ATSD4007	ATSD4407	ATSD4807	ATSD5007	ATSD5407	ATSD5807	ATSD6007
2'-8 7/8" (835)	2'-10 7/8" (886)	3'-0 7/8" (937)	3'-2 7/8" (987)	3'-4 7/8" (1038)	3'-6 7/8" (1089)	3'-8 7/8" (1140)	3'-10 7/8" (1191)
ATSD3810	ATSD4010	ATSD4410	ATSD4810	ATSD5010	ATSD5410	ATSD5810	ATSD6010
3'-8 7/8" (1140)	3'-10 7/8" (1191)	4'-0 7/8" (1241)	4'-2 7/8" (1292)	4'-4 7/8" (1343)	4'-6 7/8" (1394)	4'-8 7/8" (1445)	4'-10 7/8" (1495)
ATSD3820	ATSD4020	ATSD4420	ATSD4820	ATSD5020	ATSD5420	ATSD5820	ATSD6020
4'-0 7/8" (1241)	4'-2 7/8" (1292)	4'-4 7/8" (1343)	4'-6 7/8" (1394)	4'-8 7/8" (1445)	4'-10 7/8" (1495)	5'-0 7/8" (1546)	5'-2 7/8" (1597)
ATSD3824	ATSD4024	ATSD4424	ATSD4824	ATSD5024	ATSD5424	ATSD5824	ATSD6024
4'-4 7/8" (1343)	4'-6 7/8" (1394)	4'-8 7/8" (1445)	4'-10 7/8" (1495)	5'-0 7/8" (1546)	5'-2 7/8" (1597)	5'-4 7/8" (1648)	5'-6 7/8" (1699)
ATSD3828	ATSD4028*	ATSD4428*	ATSD4828*	ATSD5028	ATSD5428	ATSD5828	ATSD6028
4'-8 7/8" (1445)	4'-10 7/8" (1495)	5'-0 7/8" (1546)	5'-2 7/8" (1597)	5'-4 7/8" (1648)	5'-6 7/8" (1699)	5'-8 7/8" (1749)	5'-10 7/8" (1800)
ATSD3830	ATSD4030	ATSD4430	ATSD4830	ATSD5030	ATSD5430	ATSD5830	ATSD6030
5'-0 7/8" (1546)	5'-2 7/8" (1597)	5'-4 7/8" (1648)	5'-6 7/8" (1699)	5'-8 7/8" (1749)	5'-10 7/8" (1800)	6'-0 7/8" (1851)	6'-2 7/8" (1902)
ATSD3834	ATSD4034	ATSD4434	ATSD4834	ATSD5034	ATSD5434	ATSD5834	ATSD6034
5'-4 7/8" (1648)	5'-6 7/8" (1699)	5'-8 7/8" (1749)	5'-10 7/8" (1800)	6'-0 7/8" (1851)	6'-2 7/8" (1902)	6'-4 7/8" (1953)	6'-6 7/8" (2003)
ATSD3838	ATSD4038	ATSD4438	ATSD4838	ATSD5038	ATSD5438	ATSD5838	ATSD6038

continued on next page

- "Window Dimension" always refers to outside frame to frame dimension.
- "Minimum Rough Opening" dimensions may need to be increased to allow for use of building wraps, flashing, sill panning, brackets, fasteners or other items. See pages 236-237 for more details.
- Dimensions in parentheses are in millimeters.

SPECIALTY WINDOWS

Table of Direct-Set Springline™ Window Sizes (continued)

Scale 1/8" (3) = 1'-0" (305) – 1:96

Notes on page 110 also apply to this page.

Window Width Dimension	1'-7 1/4" (489)	1'-11 1/4" (591)	2'-3 1/4" (692)	2'-5 1/4" (743)	2'-7 1/4" (794)	2'-9 1/4" (845)	2'-11 1/4" (895)	3'-1 1/4" (946)	3'-3 1/4" (997)
Minimum Rough Opening	1'-8" (508)	2'-0" (610)	2'-4" (711)	2'-6" (762)	2'-8" (813)	2'-10" (864)	3'-0" (914)	3'-2" (965)	3'-4" (1016)
Unobstructed Glass	15 1/4" (387)	19 1/4" (489)	23 1/4" (591)	25 1/4" (641)	27 1/4" (692)	29 1/4" (743)	31 1/4" (794)	33 1/4" (845)	35 1/4" (895)

CUSTOM SIZES AVAILABLE

Window height shown in table	Radius	9 5/8" (244)	11 5/8" (295)	13 5/8" (346)	14 5/8" (371)	15 5/8" (397)	16 5/8" (422)	17 5/8" (448)	18 5/8" (473)	19 5/8" (498)
Chord Height		9 5/8" (244)	11 5/8" (295)	13 5/8" (346)	14 5/8" (371)	15 5/8" (397)	16 5/8" (422)	17 5/8" (448)	18 5/8" (473)	19 5/8" (498)
Shoulder Height		47 1/4" (1200)	4'-10 7/8" (1495)	5'-0 7/8" (1546)	5'-1 7/8" (1572)	5'-2 7/8" (1597)	5'-3 7/8" (1622)	5'-4 7/8" (1648)	5'-5 7/8" (1673)	5'-6 7/8" (1699)
		ATSD1840	ATSD2040	ATSD2440	ATSD2640	ATSD2840	ATSD21040	ATSD3040	ATSD3240	ATSD3440
		51 1/4" (1302)	5'-2 7/8" (1597)	5'-4 7/8" (1648)	5'-5 7/8" (1673)	5'-6 7/8" (1699)	5'-7 7/8" (1724)	5'-8 7/8" (1749)	5'-9 7/8" (1775)	5'-10 7/8" (1800)
		ATSD1844	ATSD2044	ATSD2444	ATSD2644	ATSD2844	ATSD21044	ATSD3044	ATSD3244	ATSD3444
		55 1/4" (1403)	5'-6 7/8" (1699)	5'-8 7/8" (1749)	5'-9 7/8" (1775)	5'-10 7/8" (1800)	5'-11 7/8" (1826)	6'-0 7/8" (1851)	6'-1 7/8" (1876)	6'-2 7/8" (1902)
		ATSD1848	ATSD2048	ATSD2448	ATSD2648	ATSD2848	ATSD21048	ATSD3048	ATSD3248	ATSD3448
		59 1/4" (1505)	5'-10 7/8" (1800)	6'-0 7/8" (1851)	6'-1 7/8" (1876)	6'-2 7/8" (1902)	6'-3 7/8" (1927)	6'-4 7/8" (1953)	6'-5 7/8" (1978)	6'-6 7/8" (2003)
		ATSD1850	ATSD2050	ATSD2450	ATSD2650	ATSD2850	ATSD21050	ATSD3050	ATSD3250	ATSD3450
		63 1/4" (1607)	6'-0 7/8" (1851)	6'-2 7/8" (1902)	6'-4 7/8" (1953)	6'-5 7/8" (1978)	6'-6 7/8" (2003)	6'-7 7/8" (2029)	6'-8 7/8" (2054)	6'-9 7/8" (2080)
		ATSD1854	ATSD2054	ATSD2454	ATSD2654	ATSD2854	ATSD21054	ATSD3054	ATSD3254	ATSD3454
		67 1/4" (1708)	6'-4 7/8" (1953)	6'-6 7/8" (2003)	6'-8 7/8" (2054)	6'-9 7/8" (2080)	6'-10 7/8" (2105)	7'-0 7/8" (2156)	7'-1 7/8" (2181)	7'-2 7/8" (2207)
		ATSD1858	ATSD2058	ATSD2458	ATSD2658	ATSD2858	ATSD21058	ATSD3058	ATSD3258	ATSD3458

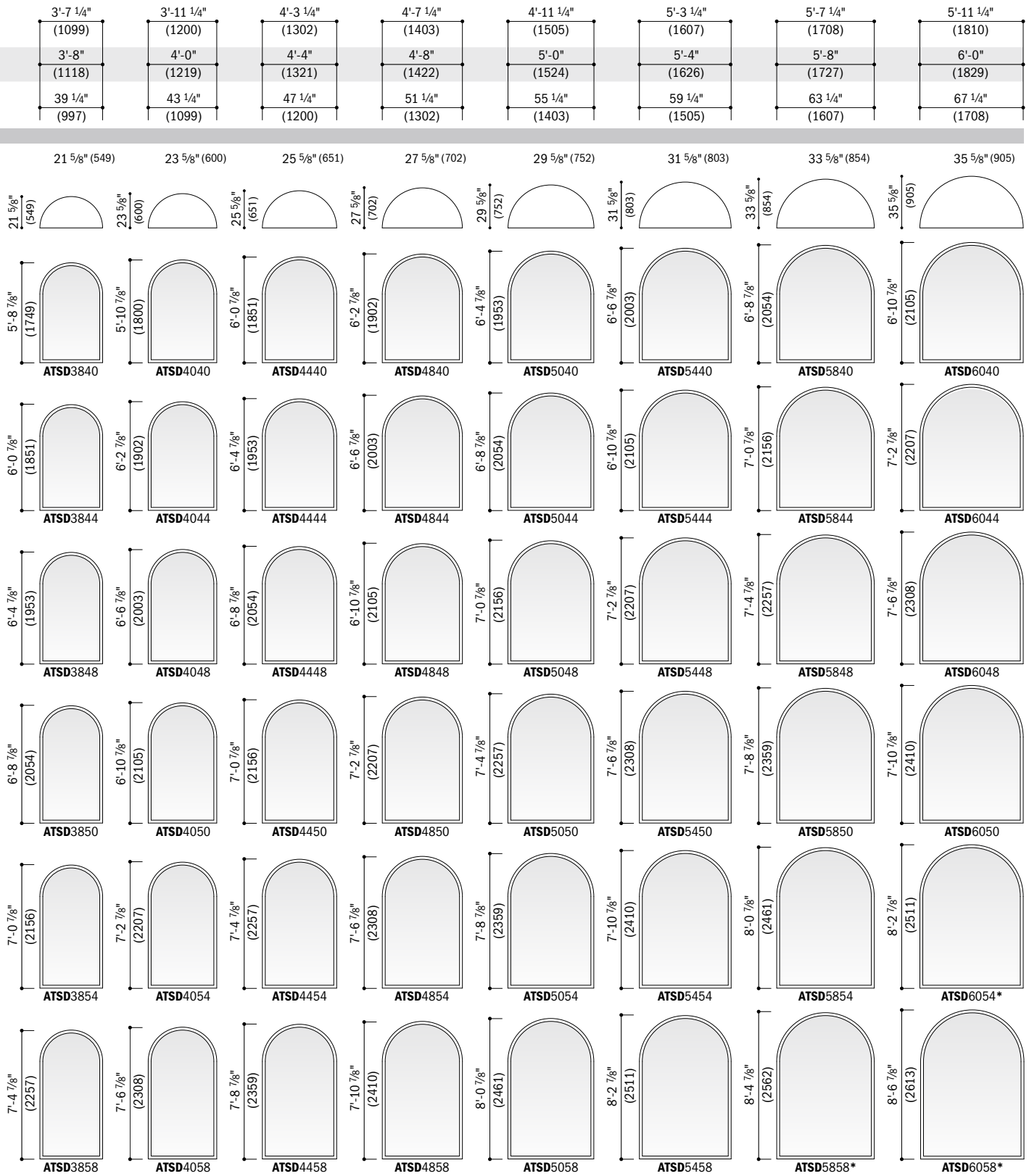
Minimum Rough Opening = window height + 3/4" (19)
 Unobstructed Glass = window height - 4" (102)

CUSTOM SIZES AVAILABLE

- "Window Dimension" always refers to outside frame to frame dimension.
- "Minimum Rough Opening" dimensions may need to be increased to allow for use of building wraps, flashing, sill panning, brackets, fasteners or other items. See pages 236-237 for more details.
- Dimensions in parentheses are in millimeters.



Notes on page 110 also apply to this page. Springline™ sizes on pages 102-112.



continued on next page

- "Window Dimension" always refers to outside frame to frame dimension.
- "Minimum Rough Opening" dimensions may need to be increased to allow for use of building wraps, flashing, sill panning, brackets, fasteners or other items. See pages 236-237 for more details.
- Dimensions in parentheses are in millimeters.
- *Tempered glass required. Some visual distortion may occur.

SPECIALTY WINDOWS

Table of Direct-Set Springline™ Window Sizes (continued)

Notes on page 110 also apply to this page.

Scale 1/8" (3) = 1'-0" (305) – 1:96

Window Width Dimension	1'-7 1/4" (489)	1'-11 1/4" (591)	2'-3 1/4" (692)	2'-5 1/4" (743)	2'-7 1/4" (794)	2'-9 1/4" (845)	2'-11 1/4" (895)	3'-1 1/4" (946)	3'-3 1/4" (997)
Minimum Rough Opening	1'-8" (508)	2'-0" (610)	2'-4" (711)	2'-6" (762)	2'-8" (813)	2'-10" (864)	3'-0" (914)	3'-2" (965)	3'-4" (1016)
Unobstructed Glass	15 1/4" (387)	19 1/4" (489)	23 1/4" (591)	25 1/4" (641)	27 1/4" (692)	29 1/4" (743)	31 1/4" (794)	33 1/4" (845)	35 1/4" (895)

CUSTOM SIZES AVAILABLE

Window height shown in table

Radius	9 5/8" (244)	11 5/8" (295)	13 5/8" (346)	14 5/8" (371)	15 5/8" (397)	16 5/8" (422)	17 5/8" (448)	18 5/8" (473)	19 5/8" (498)
--------	--------------	---------------	---------------	---------------	---------------	---------------	---------------	---------------	---------------

Chord Height	9 5/8" (244)	11 5/8" (295)	13 5/8" (346)	14 5/8" (371)	15 5/8" (397)	16 5/8" (422)	17 5/8" (448)	18 5/8" (473)	19 5/8" (498)
--------------	--------------	---------------	---------------	---------------	---------------	---------------	---------------	---------------	---------------

Minimum Rough Opening = window height + 3/4" (19)
 Unobstructed Glass = window height - 4" (102)

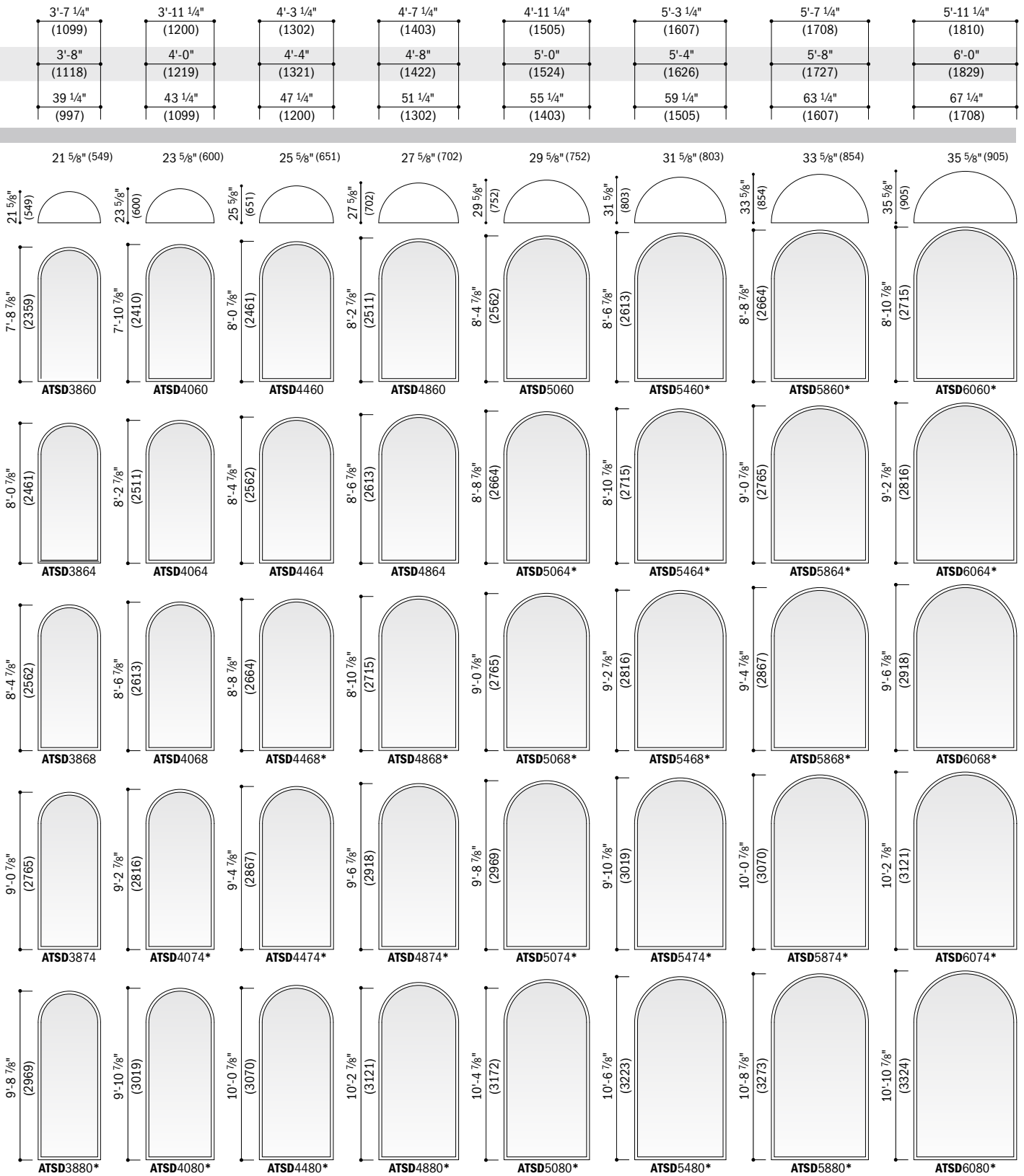
CUSTOM SIZES AVAILABLE

Shoulder Height	71 1/4" (1810)	6'-10 7/8" (2105)	7'-0 7/8" (2156)	7'-1 7/8" (2181)	7'-2 7/8" (2207)	7'-3 7/8" (2232)	7'-4 7/8" (2257)	7'-5 7/8" (2283)	7'-6 7/8" (2308)
	ATSD1860	ATSD2060	ATSD2460	ATSD2660	ATSD2860	ATSD21060	ATSD3060	ATSD3260	ATSD3460
	75 1/4" (1911)	7'-0 7/8" (2156)	7'-2 7/8" (2207)	7'-4 7/8" (2257)	7'-5 7/8" (2283)	7'-6 7/8" (2308)	7'-7 7/8" (2334)	7'-8 7/8" (2359)	7'-9 7/8" (2384)
	ATSD1864	ATSD2064	ATSD2464	ATSD2664	ATSD2864	ATSD21064	ATSD3064	ATSD3264	ATSD3464
	79 1/4" (2013)	7'-4 7/8" (2257)	7'-6 7/8" (2308)	7'-8 7/8" (2359)	7'-9 7/8" (2384)	7'-10 7/8" (2410)	7'-11 7/8" (2435)	8'-0 7/8" (2461)	8'-1 7/8" (2486)
ATSD1868	ATSD2068	ATSD2468	ATSD2668	ATSD2868	ATSD21068	ATSD3068	ATSD3268	ATSD3468	
87 1/4" (2216)	8'-0 7/8" (2461)	8'-2 7/8" (2511)	8'-4 7/8" (2562)	8'-5 7/8" (2588)	8'-6 7/8" (2613)	8'-7 7/8" (2638)	8'-8 7/8" (2664)	8'-9 7/8" (2689)	8'-10 7/8" (2715)
ATSD1874	ATSD2074	ATSD2474	ATSD2674	ATSD2874	ATSD21074	ATSD3074	ATSD3274	ATSD3474	
95 1/4" (2419)	8'-8 7/8" (2664)	8'-10 7/8" (2715)	9'-0 7/8" (2765)	9'-1 7/8" (2791)	9'-2 7/8" (2816)	9'-3 7/8" (2842)	9'-4 7/8" (2867)	9'-5 7/8" (2892)	9'-6 7/8" (2918)
ATSD1880	ATSD2080	ATSD2480	ATSD2680	ATSD2880	ATSD21080	ATSD3080	ATSD3280	ATSD3480	

- "Window Dimension" always refers to outside frame to frame dimension.
- "Minimum Rough Opening" dimensions may need to be increased to allow for use of building wraps, flashing, sill panning, brackets, fasteners or other items. See pages 236-237 for more details.
- Dimensions in parentheses are in millimeters.



Notes on page 110 also apply to this page. Springline™ sizes on pages 102-112.



continued on next page

- "Window Dimension" always refers to outside frame to frame dimension.
- "Minimum Rough Opening" dimensions may need to be increased to allow for use of building wraps, flashing, sill panning, brackets, fasteners or other items. See pages 236-237 for more details.
- Dimensions in parentheses are in millimeters.
- *Tempered glass required. Some visual distortion may occur.

SPECIALTY WINDOWS

Table of Direct-Set Springline™ Window Sizes (continued)

Notes on page 110 also apply to this page. Springline™ sizes on pages 102-112.

Scale 1/8" (3) = 1'-0" (305) – 1:96

Window Width Dimension	6'-3 1/4" (1911)	6'-7 1/4" (2013)	6'-11 1/4" (2115)	7'-3 1/4" (2216)	7'-11 1/4" (2419)
Minimum Rough Opening	6'-4" (1930)	6'-8" (2032)	7'-0" (2134)	7'-4" (2235)	8'-0" (2438)
Unobstructed Glass	71 1/4" (1810)	75 1/4" (1911)	79 1/4" (2013)	83 1/4" (2115)	91 1/4" (2318)

Window height shown in table

CUSTOM SIZES AVAILABLE

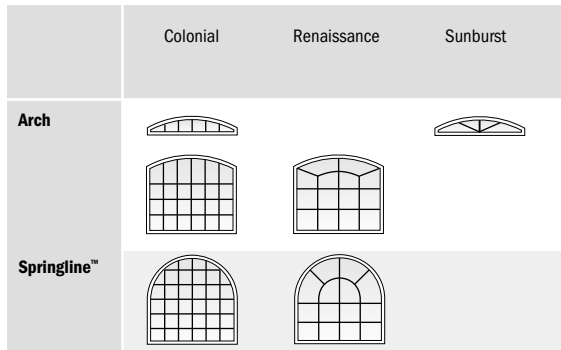
CUSTOM SIZES AVAILABLE

Radius	37 5/8" (956)	39 5/8" (1006)	41 5/8" (1057)	43 5/8" (1108)	47 5/8" (1210)
Chord Height	37 5/8" (956)	39 5/8" (1006)	41 5/8" (1057)	43 5/8" (1108)	47 5/8" (1210)
Shoulder Height	6 1/4" (159)	3-9 7/8" (1165)	3-11 7/8" (1216)	4-1 7/8" (1267)	4-5 7/8" (1368)
	ATSD6407	ATSD6807	ATSD7007	ATSD7407	ATSD8007
	11 1/4" (286)	4-2 7/8" (1292)	4-4 7/8" (1343)	4-6 7/8" (1394)	4-10 7/8" (1495)
	ATSD6410	ATSD6810	ATSD7010	ATSD7410	ATSD8010
	23 1/4" (591)	5-2 7/8" (1597)	5-4 7/8" (1648)	5-6 7/8" (1699)	5-10 7/8" (1800)
	ATSD6420	ATSD6820	ATSD7020	ATSD7420	ATSD8020*
	27 1/4" (692)	5-6 7/8" (1699)	5-8 7/8" (1749)	5-10 7/8" (1800)	6-2 7/8" (1902)
	ATSD6424	ATSD6824	ATSD7024	ATSD7424	ATSD8024*
	31 1/4" (794)	5-10 7/8" (1800)	6-0 7/8" (1851)	6-2 7/8" (1902)	6-6 7/8" (2003)
	ATSD6428	ATSD6828	ATSD7028	ATSD7428	ATSD8028*
	35 1/4" (895)	6-0 7/8" (1851)	6-4 7/8" (1953)	6-6 7/8" (2003)	6-10 7/8" (2105)
	ATSD6430	ATSD6830	ATSD7030	ATSD7430*	ATSD8030*
	39 1/4" (997)	6-4 7/8" (1953)	6-8 7/8" (2054)	6-10 7/8" (2105)	
	ATSD6434	ATSD6834	ATSD7034	ATSD7434*	
	43 1/4" (1099)	6-8 7/8" (2054)	7-0 7/8" (2156)		
	ATSD6438	ATSD6838	ATSD7038*		

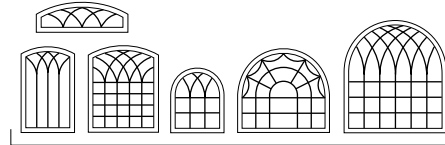
continued on page 110

- "Window Dimension" always refers to outside frame to frame dimension.
- "Minimum Rough Opening" dimensions may need to be increased to allow for use of building wraps, flashing, sill panning, brackets, fasteners or other items. See pages 236-237 for more details.
- Dimensions in parentheses are in millimeters.
- *Tempered glass required. Some visual distortion may occur.

Grille Patterns



Number of lights and overall pattern varies with window size. Patterns are not available in all configurations. Specified equal light and custom patterns are also available. For more information on divided light, see pages 12-13 or visit andersenwindows.com/grilles.



Custom Pattern Examples

**Direct-Set Springline™
Window Area Specifications**

Window Number	Glass Area Sq. Ft./ (m ²)
ATSD1807	1.08 (0.10)
ATSD1810	1.61 (0.15)
ATSD1820	2.88 (0.27)
ATSD1824	3.31 (0.31)
ATSD1828	3.73 (0.35)
ATSD1830	4.16 (0.39)
ATSD1834	4.58 (0.43)
ATSD1838	5.00 (0.46)
ATSD1840	5.43 (0.50)
ATSD1844	5.85 (0.54)
ATSD1848	6.27 (0.58)
ATSD1850	6.70 (0.62)
ATSD1854	7.12 (0.66)
ATSD1858	7.54 (0.70)
ATSD1860	7.97 (0.74)
ATSD1864	8.39 (0.78)
ATSD1868	8.82 (0.82)
ATSD1874	9.66 (0.90)
ATSD1880	10.51 (0.98)
ATSD2007	1.58 (0.15)
ATSD2010	2.25 (0.21)
ATSD2020	3.85 (0.36)
ATSD2024	4.39 (0.41)
ATSD2028	4.92 (0.46)
ATSD2030	5.46 (0.51)
ATSD2034	5.99 (0.56)
ATSD2038	6.52 (0.61)
ATSD2040	7.06 (0.66)
ATSD2044	7.59 (0.71)
ATSD2048	8.13 (0.76)
ATSD2050	8.66 (0.80)
ATSD2054	9.20 (0.85)
ATSD2058	9.73 (0.90)
ATSD2060	10.27 (0.95)
ATSD2064	10.80 (1.00)
ATSD2068	11.34 (1.05)
ATSD2074	12.41 (1.15)
ATSD2080	13.48 (1.25)
ATSD2407	2.16 (0.20)

Window Number	Glass Area Sq. Ft./ (m ²)
ATSD2410	2.97 (0.28)
ATSD2420	4.91 (0.46)
ATSD2424	5.55 (0.52)
ATSD2428	6.20 (0.58)
ATSD2430	6.84 (0.64)
ATSD2434	7.49 (0.70)
ATSD2438	8.13 (0.76)
ATSD2440	8.78 (0.82)
ATSD2444	9.43 (0.88)
ATSD2448	10.07 (0.94)
ATSD2450	10.72 (1.00)
ATSD2454	11.36 (1.06)
ATSD2458	12.01 (1.12)
ATSD2460	12.66 (1.18)
ATSD2464	13.30 (1.24)
ATSD2468	13.95 (1.30)
ATSD2474	15.24 (1.42)
ATSD2480	16.53 (1.54)
ATSD2607	2.48 (0.23)
ATSD2610	3.36 (0.31)
ATSD2620	5.46 (0.51)
ATSD2624	6.17 (0.57)
ATSD2628	6.87 (0.64)
ATSD2630	7.57 (0.70)
ATSD2634	8.27 (0.77)
ATSD2638	8.97 (0.83)
ATSD2640	9.67 (0.90)
ATSD2644	10.37 (0.96)
ATSD2648	11.08 (1.03)
ATSD2650	11.78 (1.09)
ATSD2654	12.48 (1.16)
ATSD2658	13.18 (1.22)
ATSD2660	13.88 (1.29)
ATSD2664	14.58 (1.35)
ATSD2668	15.28 (1.42)
ATSD2674	16.69 (1.55)
ATSD2680	18.09 (1.68)
ATSD2807	2.83 (0.26)
ATSD2810	3.78 (0.35)

Window Number	Glass Area Sq. Ft./ (m ²)
ATSD2820	6.05 (0.56)
ATSD2824	6.80 (0.63)
ATSD2828	7.56 (0.70)
ATSD2830	8.32 (0.77)
ATSD2834	9.07 (0.84)
ATSD2838	9.83 (0.91)
ATSD2840	10.59 (0.98)
ATSD2844	11.34 (1.05)
ATSD2848	12.10 (1.12)
ATSD2850	12.86 (1.19)
ATSD2854	13.62 (1.26)
ATSD2858	14.37 (1.34)
ATSD2860	15.13 (1.41)
ATSD2864	15.89 (1.48)
ATSD2868	16.64 (1.55)
ATSD2874	18.16 (1.69)
ATSD2880	19.67 (1.83)
ATSD21007	3.20 (0.30)
ATSD21010	4.21 (0.39)
ATSD21020	6.65 (0.62)
ATSD21024	7.46 (0.69)
ATSD21028	8.27 (0.77)
ATSD21030	9.09 (0.84)
ATSD21034	9.90 (0.92)
ATSD21038	10.71 (1.00)
ATSD21040	11.52 (1.07)
ATSD21044	12.34 (1.15)
ATSD21048	13.15 (1.22)
ATSD21050	13.96 (1.30)
ATSD21054	14.77 (1.37)
ATSD21058	15.59 (1.45)
ATSD21060	16.40 (1.52)
ATSD21064	17.21 (1.60)
ATSD21068	18.02 (1.67)
ATSD21074	19.65 (1.83)
ATSD21080	21.27 (1.98)
ATSD3007	3.59 (0.33)
ATSD3010	4.67 (0.43)
ATSD3020	7.27 (0.68)

Window Number	Glass Area Sq. Ft./ (m ²)
ATSD3024	8.14 (0.76)
ATSD3028	9.01 (0.84)
ATSD3030	9.88 (0.92)
ATSD3034	10.75 (1.00)
ATSD3038	11.61 (1.08)
ATSD3040	12.48 (1.16)
ATSD3044	13.35 (1.24)
ATSD3048	14.22 (1.32)
ATSD3050	15.09 (1.40)
ATSD3054	15.96 (1.48)
ATSD3058	16.82 (1.56)
ATSD3060	17.69 (1.64)
ATSD3064	18.56 (1.72)
ATSD3068	19.43 (1.80)
ATSD3074	21.16 (1.97)
ATSD3080	22.90 (2.13)
ATSD3207	4.00 (0.37)
ATSD3210	5.15 (0.48)
ATSD3220	7.92 (0.74)
ATSD3224	8.85 (0.82)
ATSD3228	9.77 (0.91)
ATSD3230	10.69 (0.99)
ATSD3234	11.62 (1.08)
ATSD3238	12.54 (1.16)
ATSD3240	13.46 (1.25)
ATSD3244	14.39 (1.34)
ATSD3248	15.31 (1.42)
ATSD3250	16.23 (1.51)
ATSD3254	17.16 (1.59)
ATSD3258	18.08 (1.68)
ATSD3260	19.00 (1.77)
ATSD3264	19.93 (1.85)
ATSD3268	20.85 (1.94)
ATSD3274	22.70 (2.11)
ATSD3280	24.55 (2.28)
ATSD3407	4.43 (0.41)
ATSD3410	5.65 (0.53)
ATSD3420	8.59 (0.80)

• Dimensions in parentheses are in square meters.

continued on page 111

SPECIALTY WINDOWS

Table of Direct-Set Springline™ Window Sizes (continued from page 108)

Scale 1/8" (3) = 1'-0" (305) – 1:96

Springline™ sizes on pages 102-112.

Window Width Dimension	6'-3 1/4" (1911)	6'-7 1/4" (2013)	6'-11 1/4" (2115)
Minimum Rough Opening	6'-4" (1930)	6'-8" (2032)	7'-0" (2134)
Unobstructed Glass	71 1/4" (1810)	75 1/4" (1911)	79 1/4" (2013)

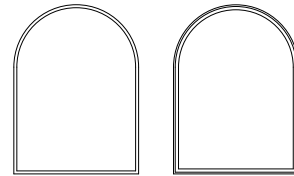
CUSTOM SIZES AVAILABLE				
Window height shown in table	Radius	37 5/8" (956)	39 5/8" (1006)	41 5/8" (1057)
Chord Height				
Shoulder Height 47 1/4" (1200)				
		7'-0 7/8" (2156)	7'-2 7/8" (2207)	7'-4 7/8" (2257)
	51 1/4" (1302)	7'-4 7/8" (2257)	7'-6 7/8" (2308)	7'-8 7/8" (2359)
		ATSD6444	ATSD6844*	ATSD7044*
	55 1/4" (1403)	7'-8 7/8" (2359)	7'-10 7/8" (2410)	8'-0 7/8" (2461)
		ATSD6448*	ATSD6848*	ATSD7048*
	59 1/4" (1505)	8'-0 7/8" (2461)	8'-2 7/8" (2511)	8'-4 7/8" (2562)
		ATSD6450*	ATSD6850*	ATSD7050*
	63 1/4" (1607)	8'-4 7/8" (2562)	8'-6 7/8" (2613)	8'-8 7/8" (2664)
		ATSD6454*	ATSD6854*	ATSD7054*
67 1/4" (1708)	8'-8 7/8" (2664)	8'-10 7/8" (2715)	9'-0 7/8" (2765)	
	ATSD6458*	ATSD6858*	ATSD7058*	

Minimum Rough Opening = window height + 3/4" (19)
Unobstructed Glass = window height - 4" (102)

CUSTOM SIZES AVAILABLE



Custom-size windows are available in 1/8" (3) increments. Contact your Andersen supplier for more information.



Direct-Set Springline™ Sash-Set Springline™

Direct-set (ATSD) window sizes shown.

Use window dimensions and minimum rough opening formula shown for sash-set (ATS) window sizes. For sash-set unobstructed glass dimensions, see pages 109 and 111.

Details shown on page 115.

Grille patterns shown on page 109.

- "Window Dimension" always refers to outside frame to frame dimension.
- "Minimum Rough Opening" dimensions may need to be increased to allow for use of building wraps, flashing, sill panning, brackets, fasteners or other items. See pages 236-237 for more details.
- Dimensions in parentheses are in millimeters.
- Tempered glass required. Some visual distortion may occur.

continued on page 112

Direct-Set Springline™
Window Area Specifications *(continued from page 109)*

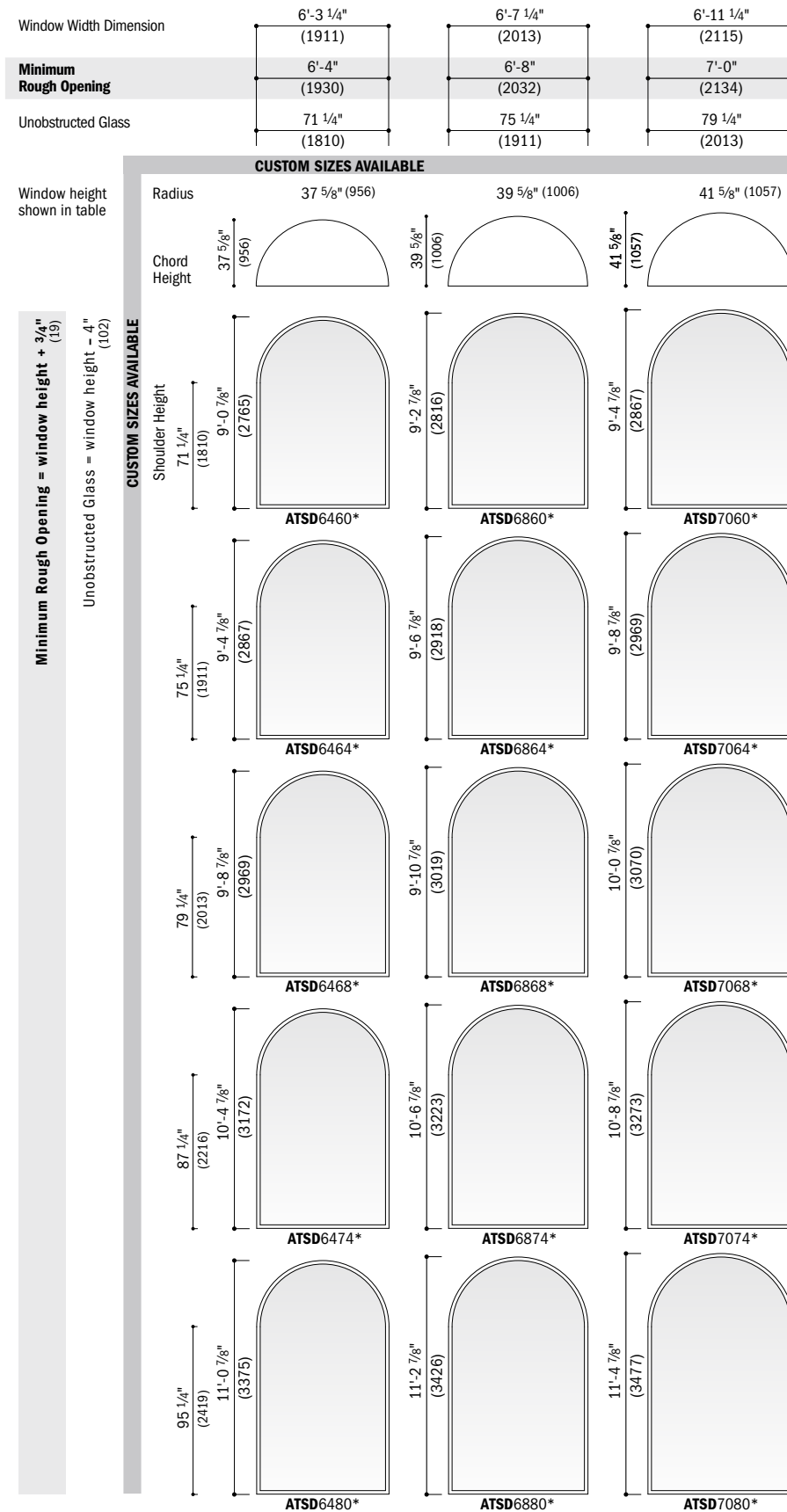
Window Number	Glass Area Sq. Ft./ (m ²)	Window Number	Glass Area Sq. Ft./ (m ²)	Window Number	Glass Area Sq. Ft./ (m ²)	Window Number	Glass Area Sq. Ft./ (m ²)
ATSD3424	9.57 (0.89)	ATSD4434	18.31 (1.70)	ATSD5444	29.84 (2.77)	ATSD6454	44.15 (4.10)
ATSD3428	10.55 (0.98)	ATSD4438	19.62 (1.82)	ATSD5448	31.48 (2.92)	ATSD6458	46.13 (4.29)
ATSD3430	11.53 (1.07)	ATSD4440	20.94 (1.94)	ATSD5450	33.13 (3.08)	ATSD6460	48.11 (4.47)
ATSD3434	12.51 (1.16)	ATSD4444	22.25 (2.07)	ATSD5454	34.78 (3.23)	ATSD6464	50.09 (4.65)
ATSD3438	13.49 (1.25)	ATSD4448	23.56 (2.19)	ATSD5458	36.42 (3.38)	ATSD6468	52.07 (4.84)
ATSD3440	14.47 (1.34)	ATSD4450	24.87 (2.31)	ATSD5460	38.07 (3.54)	ATSD6474	56.03 (5.20)
ATSD3444	15.44 (1.43)	ATSD4454	26.19 (2.43)	ATSD5464	39.71 (3.69)	ATSD6480	59.98 (5.57)
ATSD3448	16.42 (1.53)	ATSD4458	27.50 (2.55)	ATSD5468	41.36 (3.84)	ATSD6807	17.66 (1.64)
ATSD3450	17.40 (1.62)	ATSD4460	28.81 (2.68)	ATSD5474	44.65 (4.15)	ATSD6810	20.28 (1.88)
ATSD3454	18.38 (1.71)	ATSD4464	30.12 (2.80)	ATSD5480	47.94 (4.45)	ATSD6820	26.55 (2.47)
ATSD3458	19.36 (1.80)	ATSD4468	31.44 (2.92)	ATSD5807	12.78 (1.19)	ATSD6824	28.64 (2.66)
ATSD3460	20.34 (1.89)	ATSD4474	34.06 (3.16)	ATSD5810	14.97 (1.39)	ATSD6828	30.73 (2.85)
ATSD3464	21.32 (1.98)	ATSD4480	36.69 (3.41)	ATSD5820	20.24 (1.88)	ATSD6830	32.82 (3.05)
ATSD3468	22.30 (2.07)	ATSD4807	8.68 (0.81)	ATSD5824	22.00 (2.04)	ATSD6834	34.91 (3.24)
ATSD3474	24.26 (2.25)	ATSD4810	10.45 (0.97)	ATSD5828	23.76 (2.21)	ATSD6838	37.00 (3.44)
ATSD3480	26.22 (2.44)	ATSD4820	14.73 (1.37)	ATSD5830	25.51 (2.37)	ATSD6840	39.09 (3.63)
ATSD3807	5.36 (0.50)	ATSD4824	16.15 (1.50)	ATSD5834	27.27 (2.53)	ATSD6844	41.18 (3.83)
ATSD3810	6.72 (0.62)	ATSD4828	17.57 (1.63)	ATSD5838	29.03 (2.70)	ATSD6848	43.27 (4.02)
ATSD3820	9.99 (0.93)	ATSD4830	19.00 (1.76)	ATSD5840	30.79 (2.86)	ATSD6850	45.36 (4.21)
ATSD3824	11.08 (1.03)	ATSD4834	20.42 (1.90)	ATSD5844	32.54 (3.02)	ATSD6854	47.45 (4.41)
ATSD3828	12.17 (1.13)	ATSD4838	21.84 (2.03)	ATSD5848	34.30 (3.19)	ATSD6858	49.54 (4.60)
ATSD3830	13.26 (1.23)	ATSD4840	23.27 (2.16)	ATSD5850	36.06 (3.35)	ATSD6860	51.63 (4.80)
ATSD3834	14.35 (1.33)	ATSD4844	24.69 (2.29)	ATSD5854	37.81 (3.51)	ATSD6864	53.72 (4.99)
ATSD3838	15.44 (1.43)	ATSD4848	26.11 (2.43)	ATSD5858	39.57 (3.68)	ATSD6868	55.81 (5.18)
ATSD3840	16.53 (1.54)	ATSD4850	27.54 (2.56)	ATSD5860	41.33 (3.84)	ATSD6874	59.99 (5.57)
ATSD3844	17.63 (1.64)	ATSD4854	28.96 (2.69)	ATSD5864	43.08 (4.00)	ATSD6880	64.17 (5.96)
ATSD3848	18.72 (1.74)	ATSD4858	30.39 (2.82)	ATSD5868	44.84 (4.17)	ATSD7007	19.47 (1.81)
ATSD3850	19.81 (1.84)	ATSD4860	31.81 (2.96)	ATSD5874	48.35 (4.49)	ATSD7010	22.22 (2.06)
ATSD3854	20.90 (1.94)	ATSD4864	33.23 (3.09)	ATSD5880	51.87 (4.82)	ATSD7020	28.82 (2.68)
ATSD3858	21.99 (2.04)	ATSD4868	34.66 (3.22)	ATSD6007	14.32 (1.33)	ATSD7024	31.02 (2.88)
ATSD3860	23.08 (2.14)	ATSD4874	37.50 (3.48)	ATSD6010	16.65 (1.55)	ATSD7028	33.23 (3.09)
ATSD3864	24.17 (2.25)	ATSD4880	40.35 (3.75)	ATSD6020	22.26 (2.07)	ATSD7030	35.43 (3.29)
ATSD3868	25.26 (2.35)	ATSD5007	9.96 (0.92)	ATSD6024	24.13 (2.24)	ATSD7034	37.63 (3.50)
ATSD3874	27.44 (2.55)	ATSD5010	11.87 (1.10)	ATSD6028	25.99 (2.41)	ATSD7038	39.83 (3.70)
ATSD3880	29.62 (2.75)	ATSD5020	16.48 (1.53)	ATSD6030	27.86 (2.59)	ATSD7040	42.03 (3.90)
ATSD4007	6.38 (0.59)	ATSD5024	18.01 (1.67)	ATSD6034	29.73 (2.76)	ATSD7044	44.23 (4.11)
ATSD4010	7.88 (0.73)	ATSD5028	19.55 (1.82)	ATSD6038	31.60 (2.94)	ATSD7048	46.43 (4.31)
ATSD4020	11.48 (1.07)	ATSD5030	21.08 (1.96)	ATSD6040	33.47 (3.11)	ATSD7050	48.63 (4.52)
ATSD4024	12.68 (1.18)	ATSD5034	22.62 (2.10)	ATSD6044	35.33 (3.28)	ATSD7054	50.84 (4.72)
ATSD4028	13.89 (1.29)	ATSD5038	24.15 (2.24)	ATSD6048	37.20 (3.46)	ATSD7058	53.04 (4.93)
ATSD4030	15.09 (1.40)	ATSD5040	25.69 (2.39)	ATSD6050	39.07 (3.63)	ATSD7060	55.24 (5.13)
ATSD4034	16.29 (1.51)	ATSD5044	27.22 (2.53)	ATSD6054	40.94 (3.80)	ATSD7064	57.44 (5.34)
ATSD4038	17.49 (1.62)	ATSD5048	28.76 (2.67)	ATSD6058	42.81 (3.98)	ATSD7068	59.64 (5.54)
ATSD4040	18.69 (1.74)	ATSD5050	30.29 (2.81)	ATSD6060	44.67 (4.15)	ATSD7074	64.04 (5.95)
ATSD4044	19.89 (1.85)	ATSD5054	31.83 (2.96)	ATSD6064	46.54 (4.32)	ATSD7080	68.45 (6.36)
ATSD4048	21.09 (1.96)	ATSD5058	33.36 (3.10)	ATSD6068	48.41 (4.50)	ATSD7407	21.36 (1.98)
ATSD4050	22.30 (2.07)	ATSD5060	34.89 (3.24)	ATSD6074	52.15 (4.84)	ATSD7410	24.25 (2.25)
ATSD4054	23.50 (2.18)	ATSD5064	36.43 (3.38)	ATSD6080	55.88 (5.19)	ATSD7420	31.19 (2.90)
ATSD4058	24.70 (2.29)	ATSD5068	37.96 (3.53)	ATSD6407	15.95 (1.48)	ATSD7424	33.50 (3.11)
ATSD4060	25.90 (2.41)	ATSD5074	41.03 (3.81)	ATSD6410	18.42 (1.71)	ATSD7428	35.81 (3.33)
ATSD4064	27.10 (2.52)	ATSD5080	44.10 (4.10)	ATSD6420	24.36 (2.26)	ATSD7430	38.12 (3.54)
ATSD4068	28.30 (2.63)	ATSD5407	11.32 (1.05)	ATSD6424	26.34 (2.45)	ATSD7434	40.44 (3.76)
ATSD4074	30.71 (2.85)	ATSD5410	13.38 (1.24)	ATSD6428	28.32 (2.63)	ATSD8007	25.40 (2.36)
ATSD4080	33.11 (3.08)	ATSD5420	18.32 (1.70)	ATSD6430	30.30 (2.81)	ATSD8010	28.57 (2.65)
ATSD4407	7.48 (0.70)	ATSD5424	19.96 (1.85)	ATSD6434	32.28 (3.00)	ATSD8020	36.17 (3.36)
ATSD4410	9.12 (0.85)	ATSD5428	21.61 (2.01)	ATSD6438	34.25 (3.18)	ATSD8024	38.71 (3.60)
ATSD4420	13.06 (1.21)	ATSD5430	23.25 (2.16)	ATSD6440	36.23 (3.37)	ATSD8028	41.24 (3.83)
ATSD4424	14.37 (1.34)	ATSD5434	24.90 (2.31)	ATSD6444	38.21 (3.55)	ATSD8030	43.78 (4.07)
ATSD4428	15.69 (1.46)	ATSD5438	26.55 (2.47)	ATSD6448	40.19 (3.73)		
ATSD4430	17.00 (1.58)	ATSD5440	28.19 (2.62)	ATSD6450	42.17 (3.92)		

• Dimensions in parentheses are in square meters.

SPECIALTY WINDOWS

Table of Direct-Set Springline™ Window Sizes
Scale 1/8" (3) = 1'-0" (305) – 1:96 (continued from page 110)

Notes on page 110 also apply to this page.
Springline™ sizes on pages 102-112.



Sash-Set Springline™ Window Unobstructed Glass Dimensions and Area Specifications

Window Number	Unobstructed Glass Width Inches/(mm)	Unobstructed Glass Height Inches/(mm)	Glass Area Sq. Ft./ (m ²)
ATS1807	12 5/8" (320)	9 1/4" (234)	0.69 (0.06)
ATS1810	12 5/8" (320)	14 1/4" (361)	1.13 (0.10)
ATS1820	12 5/8" (320)	26 1/4" (666)	2.17 (0.20)
ATS1824	12 5/8" (320)	30 1/4" (768)	2.52 (0.23)
ATS1828	12 5/8" (320)	34 1/4" (869)	2.87 (0.27)
ATS1830	12 5/8" (320)	38 1/4" (971)	3.22 (0.30)
ATS1834	12 5/8" (320)	42 1/4" (1072)	3.57 (0.33)
ATS1838	12 5/8" (320)	46 1/4" (1174)	3.92 (0.36)
ATS1840	12 5/8" (320)	50 1/4" (1276)	4.27 (0.40)
ATS1844	12 5/8" (320)	54 1/4" (1377)	4.62 (0.43)
ATS1848	12 5/8" (320)	58 1/4" (1479)	4.97 (0.46)
ATS1850	12 5/8" (320)	62 1/4" (1580)	5.32 (0.49)
ATS1854	12 5/8" (320)	66 1/4" (1682)	5.67 (0.53)
ATS1858	12 5/8" (320)	70 1/4" (1784)	6.02 (0.56)
ATS1860	12 5/8" (320)	74 1/4" (1885)	6.37 (0.59)
ATS1864	12 5/8" (320)	78 1/4" (1987)	6.72 (0.62)
ATS1868	12 5/8" (320)	82 1/4" (2088)	7.07 (0.66)
ATS1874	12 5/8" (320)	90 1/4" (2292)	7.77 (0.72)
ATS1880	12 5/8" (320)	98 1/4" (2495)	8.47 (0.79)
ATS2007	16 5/8" (421)	11 1/4" (285)	1.09 (0.10)
ATS2010	16 5/8" (421)	16 1/4" (412)	1.66 (0.15)
ATS2020	16 5/8" (421)	28 1/4" (717)	3.05 (0.28)
ATS2024	16 5/8" (421)	32 1/4" (818)	3.51 (0.33)
ATS2028	16 5/8" (421)	36 1/4" (920)	3.97 (0.37)
ATS2030	16 5/8" (421)	40 1/4" (1022)	4.43 (0.41)
ATS2034	16 5/8" (421)	44 1/4" (1123)	4.89 (0.45)
ATS2038	16 5/8" (421)	48 1/4" (1225)	5.35 (0.50)
ATS2040	16 5/8" (421)	52 1/4" (1326)	5.81 (0.54)
ATS2044	16 5/8" (421)	56 1/4" (1428)	6.27 (0.58)
ATS2048	16 5/8" (421)	60 1/4" (1530)	6.73 (0.63)
ATS2050	16 5/8" (421)	64 1/4" (1631)	7.20 (0.67)
ATS2054	16 5/8" (421)	68 1/4" (1733)	7.66 (0.71)
ATS2058	16 5/8" (421)	72 1/4" (1834)	8.12 (0.75)
ATS2060	16 5/8" (421)	76 1/4" (1936)	8.58 (0.80)
ATS2064	16 5/8" (421)	80 1/4" (2038)	9.04 (0.84)
ATS2068	16 5/8" (421)	84 1/4" (2139)	9.50 (0.88)
ATS2074	16 5/8" (421)	92 1/4" (2342)	10.42 (0.97)
ATS2080	16 5/8" (421)	100 1/4" (2546)	11.34 (1.05)
ATS2407	20 5/8" (523)	13 1/4" (336)	1.57 (0.15)
ATS2410	20 5/8" (523)	18 1/4" (463)	2.29 (0.21)
ATS2420	20 5/8" (523)	30 1/4" (768)	4.01 (0.37)
ATS2424	20 5/8" (523)	34 1/4" (869)	4.58 (0.43)
ATS2428	20 5/8" (523)	38 1/4" (971)	5.15 (0.48)
ATS2430	20 5/8" (523)	42 1/4" (1072)	5.72 (0.53)
ATS2434	20 5/8" (523)	46 1/4" (1174)	6.29 (0.58)
ATS2438	20 5/8" (523)	50 1/4" (1276)	6.87 (0.64)
ATS2440	20 5/8" (523)	54 1/4" (1377)	7.44 (0.69)
ATS2444	20 5/8" (523)	58 1/4" (1479)	8.01 (0.74)
ATS2448	20 5/8" (523)	62 1/4" (1580)	8.58 (0.80)
ATS2450	20 5/8" (523)	66 1/4" (1682)	9.15 (0.85)
ATS2454	20 5/8" (523)	70 1/4" (1784)	9.73 (0.90)
ATS2458	20 5/8" (523)	74 1/4" (1885)	10.30 (0.96)
ATS2460	20 5/8" (523)	78 1/4" (1987)	10.87 (1.01)
ATS2464	20 5/8" (523)	82 1/4" (2088)	11.44 (1.06)
ATS2468	20 5/8" (523)	86 1/4" (2190)	12.01 (1.12)
ATS2474	20 5/8" (523)	94 1/4" (2393)	13.16 (1.22)
ATS2480	20 5/8" (523)	102 1/4" (2596)	14.30 (1.33)
ATS2607	22 5/8" (574)	14 1/4" (361)	1.85 (0.17)
ATS2610	22 5/8" (574)	19 1/4" (488)	2.64 (0.24)

(notes on page 110 also apply to this page)

• Dimensions in parentheses are in millimeters or square meters.

continued on next page

Sash-Set Springline™ Window Unobstructed Glass Dimensions and Area Specifications (continued)

Window Number	Unobstructed Glass		Glass Area Sq. Ft./ (m ²)	Window Number	Unobstructed Glass		Glass Area Sq. Ft./ (m ²)	Window Number	Unobstructed Glass		Glass Area Sq. Ft./ (m ²)
	Width Inches/(mm)	Height Inches/(mm)			Width Inches/(mm)	Height Inches/(mm)			Width Inches/(mm)	Height Inches/(mm)	
ATS2620	22 5/8" (574)	31 1/4" (793)	4.52 (0.42)	ATS3030	28 5/8" (726)	46 1/4" (1174)	8.57 (0.80)	ATS3840	36 5/8" (929)	62 1/4" (1580)	14.81 (1.38)
ATS2624	22 5/8" (574)	35 1/4" (895)	5.15 (0.48)	ATS3034	28 5/8" (726)	50 1/4" (1276)	9.36 (0.87)	ATS3844	36 5/8" (929)	66 1/4" (1682)	15.83 (1.47)
ATS2628	22 5/8" (574)	39 1/4" (996)	5.77 (0.54)	ATS3038	28 5/8" (726)	54 1/4" (1377)	10.16 (0.94)	ATS3848	36 5/8" (929)	70 1/4" (1784)	16.85 (1.57)
ATS2630	22 5/8" (574)	43 1/4" (1098)	6.40 (0.59)	ATS3040	28 5/8" (726)	58 1/4" (1479)	10.95 (1.02)	ATS3850	36 5/8" (929)	74 1/4" (1885)	17.86 (1.66)
ATS2634	22 5/8" (574)	47 1/4" (1199)	7.03 (0.65)	ATS3044	28 5/8" (726)	62 1/4" (1580)	11.75 (1.09)	ATS3854	36 5/8" (929)	78 1/4" (1987)	18.88 (1.75)
ATS2638	22 5/8" (574)	51 1/4" (1301)	7.66 (0.71)	ATS3048	28 5/8" (726)	66 1/4" (1682)	12.54 (1.16)	ATS3858	36 5/8" (929)	82 1/4" (2088)	19.90 (1.85)
ATS2640	22 5/8" (574)	55 1/4" (1403)	8.28 (0.77)	ATS3050	28 5/8" (726)	70 1/4" (1784)	13.33 (1.24)	ATS3860	36 5/8" (929)	86 1/4" (2190)	20.91 (1.94)
ATS2644	22 5/8" (574)	59 1/4" (1504)	8.91 (0.83)	ATS3054	28 5/8" (726)	74 1/4" (1885)	14.13 (1.31)	ATS3864	36 5/8" (929)	90 1/4" (2292)	21.93 (2.04)
ATS2648	22 5/8" (574)	63 1/4" (1606)	9.54 (0.89)	ATS3058	28 5/8" (726)	78 1/4" (1987)	14.92 (1.39)	ATS3868	36 5/8" (929)	94 1/4" (2393)	22.95 (2.13)
ATS2650	22 5/8" (574)	67 1/4" (1707)	10.17 (0.94)	ATS3060	28 5/8" (726)	82 1/4" (2088)	15.72 (1.46)	ATS3874	36 5/8" (929)	102 1/4" (2596)	24.98 (2.32)
ATS2654	22 5/8" (574)	71 1/4" (1809)	10.79 (1.00)	ATS3064	28 5/8" (726)	86 1/4" (2190)	16.51 (1.53)	ATS3880	36 5/8" (929)	110 1/4" (2800)	27.01 (2.51)
ATS2658	22 5/8" (574)	75 1/4" (1911)	11.42 (1.06)	ATS3068	28 5/8" (726)	90 1/4" (2292)	17.31 (1.61)	ATS4007	40 5/8" (1031)	23 1/4" (590)	5.32 (0.49)
ATS2660	22 5/8" (574)	79 1/4" (2012)	12.05 (1.12)	ATS3074	28 5/8" (726)	98 1/4" (2495)	18.89 (1.76)	ATS4010	40 5/8" (1031)	28 1/4" (717)	6.73 (0.62)
ATS2664	22 5/8" (574)	83 1/4" (2114)	12.68 (1.18)	ATS3080	28 5/8" (726)	106 1/4" (2698)	20.48 (1.90)	ATS4020	40 5/8" (1031)	40 1/4" (1022)	10.11 (0.94)
ATS2668	22 5/8" (574)	87 1/4" (2215)	13.30 (1.24)	ATS3207	30 5/8" (777)	18 1/4" (463)	3.17 (0.29)	ATS4024	40 5/8" (1031)	44 1/4" (1123)	11.24 (1.04)
ATS2674	22 5/8" (574)	95 1/4" (2419)	14.56 (1.35)	ATS3210	30 5/8" (777)	23 1/4" (590)	4.24 (0.39)	ATS4028	40 5/8" (1031)	48 1/4" (1225)	12.37 (1.15)
ATS2680	22 5/8" (574)	103 1/4" (2622)	15.81 (1.47)	ATS3220	30 5/8" (777)	35 1/4" (895)	6.79 (0.63)	ATS4030	40 5/8" (1031)	52 1/4" (1326)	13.49 (1.25)
ATS2807	24 5/8" (625)	15 1/4" (387)	2.15 (0.20)	ATS3224	30 5/8" (777)	39 1/4" (996)	7.63 (0.71)	ATS4034	40 5/8" (1031)	56 1/4" (1428)	14.62 (1.36)
ATS2810	24 5/8" (625)	20 1/4" (514)	3.00 (0.28)	ATS3228	30 5/8" (777)	43 1/4" (1098)	8.48 (0.79)	ATS4038	40 5/8" (1031)	60 1/4" (1530)	15.75 (1.46)
ATS2820	24 5/8" (625)	32 1/4" (818)	5.05 (0.47)	ATS3230	30 5/8" (777)	47 1/4" (1199)	9.33 (0.87)	ATS4040	40 5/8" (1031)	64 1/4" (1631)	16.88 (1.57)
ATS2824	24 5/8" (625)	36 1/4" (920)	5.74 (0.53)	ATS3234	30 5/8" (777)	51 1/4" (1301)	10.18 (0.95)	ATS4044	40 5/8" (1031)	68 1/4" (1733)	18.00 (1.67)
ATS2828	24 5/8" (625)	40 1/4" (1022)	6.42 (0.60)	ATS3238	30 5/8" (777)	55 1/4" (1403)	11.03 (1.03)	ATS4048	40 5/8" (1031)	72 1/4" (1834)	19.13 (1.78)
ATS2830	24 5/8" (625)	44 1/4" (1123)	7.10 (0.66)	ATS3240	30 5/8" (777)	59 1/4" (1504)	11.88 (1.10)	ATS4050	40 5/8" (1031)	76 1/4" (1936)	20.26 (1.88)
ATS2834	24 5/8" (625)	48 1/4" (1225)	7.78 (0.72)	ATS3244	30 5/8" (777)	63 1/4" (1606)	12.73 (1.18)	ATS4054	40 5/8" (1031)	80 1/4" (2038)	21.39 (1.99)
ATS2838	24 5/8" (625)	52 1/4" (1326)	8.47 (0.79)	ATS3248	30 5/8" (777)	67 1/4" (1707)	13.58 (1.26)	ATS4058	40 5/8" (1031)	84 1/4" (2139)	22.51 (2.09)
ATS2840	24 5/8" (625)	56 1/4" (1428)	9.15 (0.85)	ATS3250	30 5/8" (777)	71 1/4" (1809)	14.43 (1.34)	ATS4060	40 5/8" (1031)	88 1/4" (2241)	23.64 (2.20)
ATS2844	24 5/8" (625)	60 1/4" (1530)	9.83 (0.91)	ATS3254	30 5/8" (777)	75 1/4" (1911)	15.28 (1.42)	ATS4064	40 5/8" (1031)	92 1/4" (2342)	24.77 (2.30)
ATS2848	24 5/8" (625)	64 1/4" (1631)	10.52 (0.98)	ATS3258	30 5/8" (777)	79 1/4" (2012)	16.13 (1.50)	ATS4068	40 5/8" (1031)	96 1/4" (2444)	25.90 (2.41)
ATS2850	24 5/8" (625)	68 1/4" (1733)	11.20 (1.04)	ATS3260	30 5/8" (777)	83 1/4" (2114)	16.98 (1.58)	ATS4074	40 5/8" (1031)	104 1/4" (2647)	28.15 (2.62)
ATS2854	24 5/8" (625)	72 1/4" (1834)	11.88 (1.10)	ATS3264	30 5/8" (777)	87 1/4" (2215)	17.83 (1.66)	ATS4080	40 5/8" (1031)	112 1/4" (2850)	30.41 (2.82)
ATS2858	24 5/8" (625)	76 1/4" (1936)	12.57 (1.17)	ATS3268	30 5/8" (777)	91 1/4" (2317)	18.68 (1.74)	ATS4407	44 5/8" (1133)	25 1/4" (641)	6.33 (0.59)
ATS2860	24 5/8" (625)	80 1/4" (2038)	13.25 (1.23)	ATS3274	30 5/8" (777)	99 1/4" (2520)	20.38 (1.89)	ATS4410	44 5/8" (1133)	30 1/4" (768)	7.88 (0.73)
ATS2864	24 5/8" (625)	84 1/4" (2139)	13.93 (1.29)	ATS3280	30 5/8" (777)	107 1/4" (2723)	22.08 (2.05)	ATS4420	44 5/8" (1133)	42 1/4" (1072)	11.59 (1.08)
ATS2868	24 5/8" (625)	88 1/4" (2241)	14.62 (1.36)	ATS3407	32 5/8" (828)	19 1/4" (488)	3.56 (0.33)	ATS4424	44 5/8" (1133)	46 1/4" (1174)	12.83 (1.19)
ATS2874	24 5/8" (625)	96 1/4" (2444)	15.98 (1.48)	ATS3410	32 5/8" (828)	24 1/4" (615)	4.69 (0.44)	ATS4428	44 5/8" (1133)	50 1/4" (1276)	14.07 (1.31)
ATS2880	24 5/8" (625)	104 1/4" (2647)	17.35 (1.61)	ATS3420	32 5/8" (828)	36 1/4" (920)	7.41 (0.69)	ATS4430	44 5/8" (1133)	54 1/4" (1377)	15.31 (1.42)
ATS21007	26 5/8" (675)	16 1/4" (412)	2.47 (0.23)	ATS3424	32 5/8" (828)	40 1/4" (1022)	8.31 (0.77)	ATS4434	44 5/8" (1133)	58 1/4" (1479)	16.55 (1.54)
ATS21010	26 5/8" (675)	21 1/4" (539)	3.39 (0.32)	ATS3428	32 5/8" (828)	44 1/4" (1123)	9.22 (0.86)	ATS4438	44 5/8" (1133)	62 1/4" (1580)	17.79 (1.65)
ATS21020	26 5/8" (675)	33 1/4" (844)	5.61 (0.52)	ATS3430	32 5/8" (828)	48 1/4" (1225)	10.12 (0.94)	ATS4440	44 5/8" (1133)	66 1/4" (1682)	19.02 (1.77)
ATS21024	26 5/8" (675)	37 1/4" (945)	6.35 (0.59)	ATS3434	32 5/8" (828)	52 1/4" (1326)	11.03 (1.02)	ATS4444	44 5/8" (1133)	70 1/4" (1784)	20.26 (1.88)
ATS21028	26 5/8" (675)	41 1/4" (1047)	7.09 (0.66)	ATS3438	32 5/8" (828)	56 1/4" (1428)	11.93 (1.11)	ATS4448	44 5/8" (1133)	74 1/4" (1885)	21.50 (2.00)
ATS21030	26 5/8" (675)	45 1/4" (1149)	7.82 (0.73)	ATS3440	32 5/8" (828)	60 1/4" (1530)	12.84 (1.19)	ATS4450	44 5/8" (1133)	78 1/4" (1987)	22.74 (2.11)
ATS21034	26 5/8" (675)	49 1/4" (1250)	8.56 (0.80)	ATS3444	32 5/8" (828)	64 1/4" (1631)	13.74 (1.28)	ATS4454	44 5/8" (1133)	82 1/4" (2088)	23.98 (2.23)
ATS21038	26 5/8" (675)	53 1/4" (1352)	9.30 (0.86)	ATS3448	32 5/8" (828)	68 1/4" (1733)	14.65 (1.36)	ATS4458	44 5/8" (1133)	86 1/4" (2190)	25.22 (2.34)
ATS21040	26 5/8" (675)	57 1/4" (1453)	10.04 (0.93)	ATS3450	32 5/8" (828)	72 1/4" (1834)	15.55 (1.45)	ATS4460	44 5/8" (1133)	90 1/4" (2292)	26.46 (2.46)
ATS21044	26 5/8" (675)	61 1/4" (1555)	10.78 (1.00)	ATS3454	32 5/8" (828)	76 1/4" (1936)	16.46 (1.53)	ATS4464	44 5/8" (1133)	94 1/4" (2393)	27.70 (2.57)
ATS21048	26 5/8" (675)	65 1/4" (1657)	11.52 (1.07)	ATS3458	32 5/8" (828)	80 1/4" (2038)	17.37 (1.61)	ATS4468	44 5/8" (1133)	98 1/4" (2495)	28.93 (2.69)
ATS21050	26 5/8" (675)	69 1/4" (1758)	12.26 (1.14)	ATS3460	32 5/8" (828)	84 1/4" (2139)	18.27 (1.70)	ATS4474	44 5/8" (1133)	106 1/4" (2698)	31.41 (2.92)
ATS21054	26 5/8" (675)	73 1/4" (1860)	13.00 (1.21)	ATS3464	32 5/8" (828)	88 1/4" (2241)	19.18 (1.78)	ATS4480	44 5/8" (1133)	114 1/4" (2901)	33.89 (3.15)
ATS21058	26 5/8" (675)	77 1/4" (1961)	13.73 (1.28)	ATS3468	32 5/8" (828)	92 1/4" (2342)	20.08 (1.87)	ATS4807	48 5/8" (1234)	27 1/4" (691)	7.43 (0.69)
ATS21060	26 5/8" (675)	81 1/4" (2063)	14.47 (1.34)	ATS3474	32 5/8" (828)	100 1/4" (2546)	21.89 (2.03)	ATS4810	48 5/8" (1234)	32 1/4" (818)	9.11 (0.85)
ATS21064	26 5/8" (675)	85 1/4" (2165)	15.21 (1.41)	ATS3480	32 5/8" (828)	108 1/4" (2749)	23.70 (2.20)	ATS4820	48 5/8" (1234)	44 1/4" (1123)	13.16 (1.22)
ATS21068	26 5/8" (675)	89 1/4" (2266)	15.95 (1.48)	ATS3807	36 5/8" (929)	21 1/4" (539)	4.39 (0.41)	ATS4824	48 5/8" (1234)	48 1/4" (1225)	14.51 (1.35)
ATS21074	26 5/8" (675)	97 1/4" (2469)	17.43 (1.62)	ATS3810	36 5/8" (929)	26 1/4" (666)	5.67 (0.53)	ATS4828	48 5/8" (1234)	52 1/4" (1326)	15.86 (1.47)
ATS21080	26 5/8" (675)	105 1/4" (2673)	18.90 (1.76)	ATS3820	36 5/8" (929)	38 1/4" (971)	8.71 (0.81)	ATS4830	48 5/8" (1234)	56 1/4" (1428)	17.21 (1.60)
ATS3007	28 5/8" (726)	17 1/4" (437)	2.81 (0.26)	ATS3824	36 5/8" (929)	42 1/4" (1072)	9.73 (0.90)	ATS4834	48 5/8" (1234)	60 1/4" (1530)	18.56 (1.72)
ATS3010	28 5/8" (726)	22 1/4" (564)	3.80 (0.35)	ATS3828	36 5/8" (929)	46 1/4" (1174)	10.75 (1.00)	ATS4838	48 5/8" (1234)	64.219 (1631)	19.91 (1.85)
ATS3020	28 5/8" (726)	34 1/4" (869)	6.19 (0.57)	ATS3830	36 5/8" (929)	50 1/4" (1276)	11.76 (1.09)	ATS4840	48 5/8" (1234)	68 1/4" (1733)	21.26 (1.98)
ATS3024	28 5/8" (726)	38 1/4" (971)	6.98 (0.65)	ATS3834	36 5/8" (929)	54 1/4" (1377)	12.78 (1.19)	ATS4844	48 5/8" (1234)	72 1/4" (1834)	22.61 (2.10)
ATS3028	28 5/8" (726)	42 1/4" (1072)	7.77 (0.72)	ATS3838	36 5/8" (929)	58 1/4" (1479)	13.80 (1.28)				

• Dimensions in parentheses are in millimeters or square meters.

continued on next page

SPECIALTY WINDOWS

Sash-Set Springline™ Window Unobstructed Glass Dimensions and Area Specifications *(continued)*

Window Number	Unobstructed Glass Width Inches/(mm)	Unobstructed Glass Height Inches/(mm)	Glass Area Sq. Ft./ (m ²)
ATS4848	48 5/8" (1234)	76 1/4" (1936)	23.96 (2.23)
ATS4850	48 5/8" (1234)	80 1/4" (2038)	25.31 (2.35)
ATS4854	48 5/8" (1234)	84 1/4" (2139)	26.66 (2.48)
ATS4858	48 5/8" (1234)	88 1/4" (2241)	28.01 (2.60)
ATS4860	48 5/8" (1234)	92 1/4" (2342)	29.36 (2.73)
ATS4864	48 5/8" (1234)	96 1/4" (2444)	30.71 (2.85)
ATS4868	48 5/8" (1234)	100 1/4" (2546)	32.06 (2.98)
ATS4874	48 5/8" (1234)	108 1/4" (2749)	34.76 (3.23)
ATS4880	48 5/8" (1234)	116 1/4" (2952)	37.46 (3.48)
ATS5007	52 5/8" (1336)	29 1/4" (742)	8.61 (0.80)
ATS5010	52 5/8" (1336)	34 1/4" (869)	10.44 (0.97)
ATS5020	52 5/8" (1336)	46 1/4" (1174)	14.82 (1.38)
ATS5024	52 5/8" (1336)	50 1/4" (1276)	16.28 (1.51)
ATS5028	52 5/8" (1336)	54 1/4" (1377)	17.74 (1.65)
ATS5030	52 5/8" (1336)	58 1/4" (1479)	19.20 (1.78)
ATS5034	52 5/8" (1336)	62 1/4" (1580)	20.66 (1.92)
ATS5038	52 5/8" (1336)	66 1/4" (1682)	22.12 (2.06)
ATS5040	52 5/8" (1336)	70 1/4" (1784)	23.59 (2.19)
ATS5044	52 5/8" (1336)	74 1/4" (1885)	25.05 (2.33)
ATS5048	52 5/8" (1336)	78 1/4" (1987)	26.51 (2.46)
ATS5050	52 5/8" (1336)	82 1/4" (2088)	27.97 (2.60)
ATS5054	52 5/8" (1336)	86 1/4" (2190)	29.43 (2.73)
ATS5058	52 5/8" (1336)	90 1/4" (2292)	30.89 (2.87)
ATS5060	52 5/8" (1336)	94 1/4" (2393)	32.35 (3.01)
ATS5064	52 5/8" (1336)	98 1/4" (2495)	33.81 (3.14)
ATS5068	52 5/8" (1336)	102 1/4" (2596)	35.27 (3.28)
ATS5074	52 5/8" (1336)	110 1/4" (2800)	38.19 (3.55)
ATS5080	52 5/8" (1336)	118 1/4" (3003)	41.12 (3.82)
ATS5407	56 5/8" (1437)	31 1/4" (793)	9.88 (0.92)
ATS5410	56 5/8" (1437)	36 1/4" (920)	11.85 (1.10)
ATS5420	56 5/8" (1437)	48 1/4" (1225)	16.56 (1.54)
ATS5424	56 5/8" (1437)	52 1/4" (1326)	18.14 (1.68)
ATS5428	56 5/8" (1437)	56 1/4" (1428)	19.71 (1.83)
ATS5430	56 5/8" (1437)	60 1/4" (1530)	21.28 (1.98)
ATS5434	56 5/8" (1437)	64 1/4" (1631)	22.85 (2.12)
ATS5438	56 5/8" (1437)	68 1/4" (1733)	24.42 (2.27)
ATS5440	56 5/8" (1437)	72 1/4" (1834)	26.00 (2.42)
ATS5444	56 5/8" (1437)	76 1/4" (1936)	27.57 (2.56)
ATS5448	56 5/8" (1437)	80 1/4" (2038)	29.14 (2.71)
ATS5450	56 5/8" (1437)	84 1/4" (2139)	30.71 (2.85)
ATS5454	56 5/8" (1437)	88 1/4" (2241)	32.28 (3.00)
ATS5458	56 5/8" (1437)	92 1/4" (2342)	33.86 (3.15)
ATS5460	56 5/8" (1437)	96 1/4" (2444)	35.43 (3.29)
ATS5464	56 5/8" (1437)	100 1/4" (2546)	37.00 (3.44)
ATS5468	56 5/8" (1437)	104 1/4" (2647)	38.57 (3.58)
ATS5474	56 5/8" (1437)	112 1/4" (2850)	41.72 (3.88)
ATS5480	56 5/8" (1437)	120 1/4" (3054)	44.86 (4.17)
ATS5807	60 5/8" (1539)	33 1/4" (844)	11.24 (1.04)
ATS5810	60 5/8" (1539)	38 1/4" (971)	13.35 (1.24)
ATS5820	60 5/8" (1539)	50 1/4" (1276)	18.40 (1.71)
ATS5824	60 5/8" (1539)	54 1/4" (1377)	20.08 (1.87)
ATS5828	60 5/8" (1539)	58 1/4" (1479)	21.76 (2.02)
ATS5830	60 5/8" (1539)	62 1/4" (1580)	23.45 (2.18)
ATS5834	60 5/8" (1539)	66 1/4" (1682)	25.13 (2.33)
ATS5838	60 5/8" (1539)	70 1/4" (1784)	26.81 (2.49)
ATS5840	60 5/8" (1539)	74 1/4" (1885)	28.49 (2.65)
ATS5844	60 5/8" (1539)	78 1/4" (1987)	30.18 (2.80)
ATS5848	60 5/8" (1539)	82 1/4" (2088)	31.86 (2.96)
ATS5850	60 5/8" (1539)	86 1/4" (2190)	33.54 (3.12)
ATS5854	60 5/8" (1539)	90 1/4" (2292)	35.23 (3.27)

Window Number	Unobstructed Glass Width Inches/(mm)	Unobstructed Glass Height Inches/(mm)	Glass Area Sq. Ft./ (m ²)
ATS5858	60 5/8" (1539)	94 1/4" (2393)	36.91 (3.43)
ATS5860	60 5/8" (1539)	98 1/4" (2495)	38.59 (3.59)
ATS5864	60 5/8" (1539)	102 1/4" (2596)	40.28 (3.74)
ATS5868	60 5/8" (1539)	106 1/4" (2698)	41.96 (3.90)
ATS5874	60 5/8" (1539)	114 1/4" (2901)	45.33 (4.21)
ATS5880	60 5/8" (1539)	122 1/4" (3104)	48.69 (4.52)
ATS6007	64 5/8" (1641)	35 1/4" (895)	12.69 (1.18)
ATS6010	64 5/8" (1641)	40 1/4" (1022)	14.93 (1.39)
ATS6020	64 5/8" (1641)	52 1/4" (1326)	20.31 (1.89)
ATS6024	64 5/8" (1641)	56 1/4" (1428)	22.11 (2.05)
ATS6028	64 5/8" (1641)	60 1/4" (1530)	23.90 (2.22)
ATS6030	64 5/8" (1641)	64 1/4" (1631)	25.70 (2.39)
ATS6034	64 5/8" (1641)	68 1/4" (1733)	27.49 (2.55)
ATS6038	64 5/8" (1641)	72 1/4" (1834)	29.29 (2.72)
ATS6040	64 5/8" (1641)	76 1/4" (1936)	31.08 (2.89)
ATS6044	64 5/8" (1641)	80 1/4" (2038)	32.87 (3.05)
ATS6048	64 5/8" (1641)	84 1/4" (2139)	34.67 (3.22)
ATS6050	64 5/8" (1641)	88 1/4" (2241)	36.46 (3.39)
ATS6054	64 5/8" (1641)	92 1/4" (2342)	38.26 (3.55)
ATS6058	64 5/8" (1641)	96 1/4" (2444)	40.05 (3.72)
ATS6060	64 5/8" (1641)	100 1/4" (2546)	41.85 (3.89)
ATS6064	64 5/8" (1641)	104 1/4" (2647)	43.64 (4.05)
ATS6068	64 5/8" (1641)	108 1/4" (2749)	45.43 (4.22)
ATS6074	64 5/8" (1641)	116 1/4" (2952)	49.02 (4.55)
ATS6080	64 5/8" (1641)	124 1/4" (3155)	52.61 (4.89)
ATS6407	68 5/8" (1742)	37 1/4" (945)	14.22 (1.32)
ATS6410	68 5/8" (1742)	42 1/4" (1072)	16.60 (1.54)
ATS6420	68 5/8" (1742)	54 1/4" (1377)	22.32 (2.07)
ATS6424	68 5/8" (1742)	58 1/4" (1479)	24.23 (2.25)
ATS6428	68 5/8" (1742)	62 1/4" (1580)	26.13 (2.43)
ATS6430	68 5/8" (1742)	66 1/4" (1682)	28.04 (2.60)
ATS6434	68 5/8" (1742)	70 1/4" (1784)	29.94 (2.78)
ATS6438	68 5/8" (1742)	74 1/4" (1885)	31.85 (2.96)
ATS6440	68 5/8" (1742)	78 1/4" (1987)	33.75 (3.14)
ATS6444	68 5/8" (1742)	82 1/4" (2088)	35.66 (3.31)
ATS6448	68 5/8" (1742)	86 1/4" (2190)	37.56 (3.49)
ATS6450	68 5/8" (1742)	90 1/4" (2292)	39.47 (3.67)
ATS6454	68 5/8" (1742)	94 1/4" (2393)	41.37 (3.84)
ATS6458	68 5/8" (1742)	98 1/4" (2495)	43.28 (4.02)
ATS6460	68 5/8" (1742)	102 1/4" (2596)	45.19 (4.20)
ATS6464	68 5/8" (1742)	106 1/4" (2698)	47.09 (4.37)
ATS6468	68 5/8" (1742)	110 1/4" (2800)	49.00 (4.55)
ATS6474	68 5/8" (1742)	118 1/4" (3003)	52.81 (4.91)
ATS6480	68 5/8" (1742)	126 1/4" (3206)	56.62 (5.26)
ATS6807	72 5/8" (1844)	39 1/4" (996)	15.84 (1.47)
ATS6810	72 5/8" (1844)	44 1/4" (1123)	18.37 (1.71)
ATS6820	72 5/8" (1844)	56 1/4" (1428)	24.41 (2.27)
ATS6824	72 5/8" (1844)	60 1/4" (1530)	26.43 (2.46)
ATS6828	72 5/8" (1844)	64 1/4" (1631)	28.45 (2.64)
ATS6830	72 5/8" (1844)	68 1/4" (1733)	30.46 (2.83)
ATS6834	72 5/8" (1844)	72 1/4" (1834)	32.48 (3.02)
ATS6838	72 5/8" (1844)	76 1/4" (1936)	34.50 (3.20)
ATS6840	72 5/8" (1844)	80 1/4" (2038)	36.51 (3.39)
ATS6844	72 5/8" (1844)	84 1/4" (2139)	38.53 (3.58)
ATS6848	72 5/8" (1844)	88 1/4" (2241)	40.55 (3.77)
ATS6850	72 5/8" (1844)	92 1/4" (2342)	42.56 (3.95)
ATS6854	72 5/8" (1844)	96 1/4" (2444)	44.58 (4.14)
ATS6858	72 5/8" (1844)	100 1/4" (2546)	46.60 (4.33)
ATS6860	72 5/8" (1844)	104 1/4" (2647)	48.61 (4.52)
ATS6864	72 5/8" (1844)	108 1/4" (2749)	50.63 (4.70)

Window Number	Unobstructed Glass Width Inches/(mm)	Unobstructed Glass Height Inches/(mm)	Glass Area Sq. Ft./ (m ²)
ATS6868	72 5/8" (1844)	112 1/4" (2850)	52.65 (4.89)
ATS6874	72 5/8" (1844)	120 1/4" (3054)	56.68 (5.27)
ATS6880	72 5/8" (1844)	128 1/4" (3257)	60.71 (5.64)
ATS7007	76 5/8" (1945)	41 1/4" (1047)	17.55 (1.63)
ATS7010	76 5/8" (1945)	46 1/4" (1174)	20.21 (1.88)
ATS7020	76 5/8" (1945)	58 1/4" (1479)	26.60 (2.47)
ATS7024	76 5/8" (1945)	62 1/4" (1580)	28.72 (2.67)
ATS7028	76 5/8" (1945)	66 1/4" (1682)	30.85 (2.87)
ATS7030	76 5/8" (1945)	70 1/4" (1784)	32.98 (3.06)
ATS7034	76 5/8" (1945)	74 1/4" (1885)	35.11 (3.26)
ATS7038	76 5/8" (1945)	78 1/4" (1987)	37.23 (3.46)
ATS7040	76 5/8" (1945)	82 1/4" (2088)	39.36 (3.66)
ATS7044	76 5/8" (1945)	86 1/4" (2190)	41.49 (3.85)
ATS7048	76 5/8" (1945)	90 1/4" (2292)	43.62 (4.05)
ATS7050	76 5/8" (1945)	94 1/4" (2393)	45.74 (4.25)
ATS7054	76 5/8" (1945)	98 1/4" (2495)	47.87 (4.45)
ATS7058	76 5/8" (1945)	102 1/4" (2596)	50.00 (4.64)
ATS7060	76 5/8" (1945)	106 1/4" (2698)	52.13 (4.84)
ATS7064	76 5/8" (1945)	110 1/4" (2800)	54.25 (5.04)
ATS7068	76 5/8" (1945)	114 1/4" (2901)	56.38 (5.24)
ATS7074	76 5/8" (1945)	122 1/4" (3104)	60.64 (5.63)
ATS7080	76 5/8" (1945)	130 1/4" (3308)	64.89 (6.03)
ATS7407	80 5/8" (2047)	43 1/4" (1098)	19.35 (1.80)
ATS7410	80 5/8" (2047)	48 1/4" (1225)	22.15 (2.06)
ATS7420	80 5/8" (2047)	60 1/4" (1530)	28.86 (2.68)
ATS7424	80 5/8" (2047)	64 1/4" (1631)	31.10 (2.89)
ATS7428	80 5/8" (2047)	68 1/4" (1733)	33.34 (3.10)
ATS7430	80 5/8" (2047)	72 1/4" (1834)	35.58 (3.31)
ATS7434	80 5/8" (2047)	76 1/4" (1936)	37.82 (3.51)
ATS8007	88 5/8" (2250)	47 1/4" (1199)	23.20 (2.16)
ATS8010	88 5/8" (2250)	52 1/4" (1326)	26.28 (2.44)
ATS8020	88 5/8" (2250)	64 1/4" (1631)	33.66 (3.13)
ATS8024	88 5/8" (2250)	68 1/4" (1733)	36.12 (3.36)
ATS8028	88 5/8" (2250)	72 1/4" (1834)	38.58 (3.58)
ATS8030	88 5/8" (2250)	76 1/4" (1936)	41.04 (3.81)

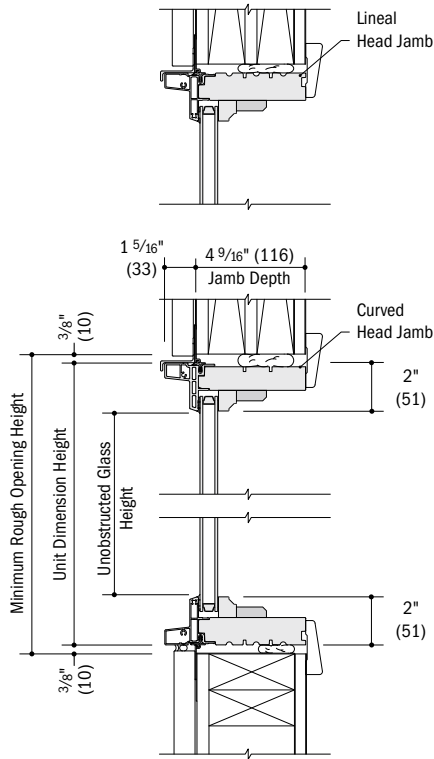
• Dimensions in parentheses are in millimeters or square meters.

Direct-Set Specialty Window Details

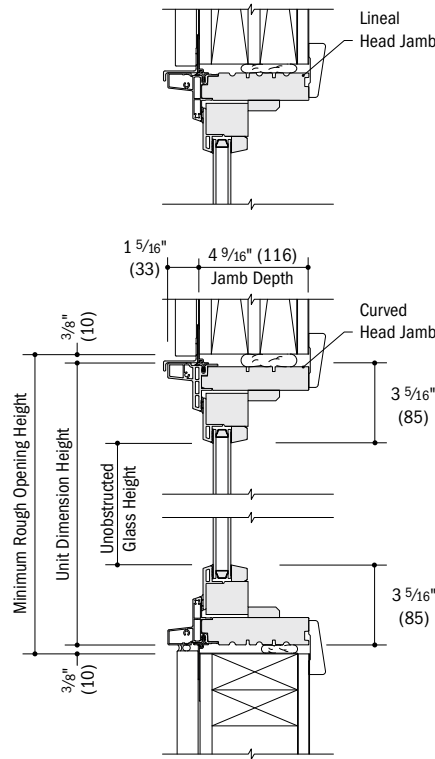
Scale 1 1/2" (38) = 1'-0" (305) – 1:8

Sash-Set Specialty Window Details

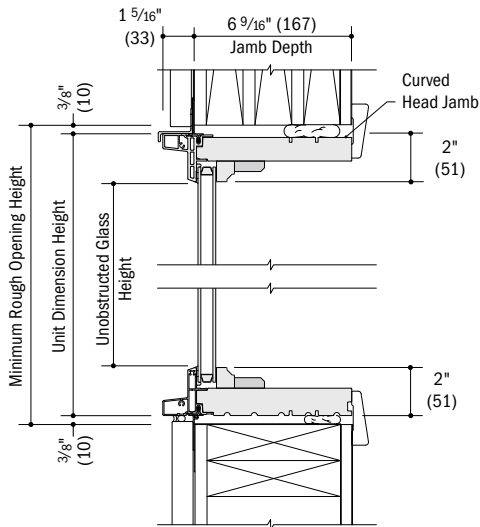
Scale 1 1/2" (38) = 1'-0" (305) – 1:8



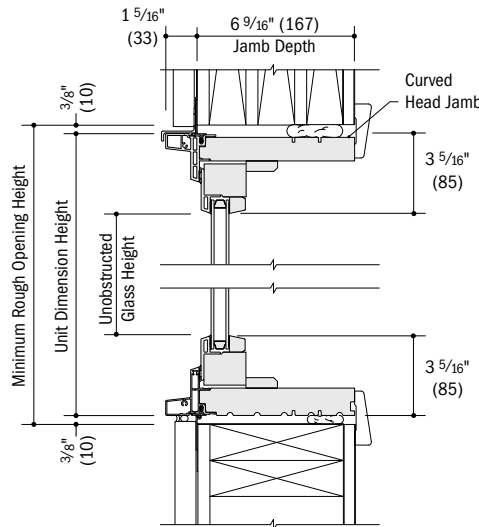
Vertical Section



Vertical Section



Vertical Section



Vertical Section

Both lineal and curved head jambs are shown. Choose detail based on your specialty window shape.

Sash-set specialty and direct-set specialty windows are available in both 4 9/16" (116) and 6 9/16" (167) jamb depths.

Oval windows are only available direct-set.

See page 116 for horizontal joining details.

- 4 9/16" (116) and 6 9/16" (167) jamb depth measurement is from back side of installation flange.
- Light-colored areas are parts included with window. Dark-colored areas are additional Andersen® parts required to complete window assembly as shown.
- Dimensions in parentheses are in millimeters.
- Rough openings may need to be increased to allow for use of building wraps, flashing, sill panning, brackets, fasteners or other items. See installation information on pages 236-237.
- Details are for illustration only and are not intended to represent product installation methods or materials. Refer to product installation guides at andersenwindows.com.

SPECIALTY WINDOWS

Horizontal (stack) Joining Details

Scale 1½" (38) = 1'-0" (305) – 1:8

Specialty windows can be joined to other windows on the jobsite using 4 9/16" (116) fiberglass or clip joining methods. For factory-joined specialty-to-specialty window combinations, 4 9/16" (116) or 6 9/16" (167), LVL joining material will be used. Specialty windows can be joined over patio doors, using LVL joining material. For additional windows combinations, see pages 64-66.

Overall "Window over Window" or

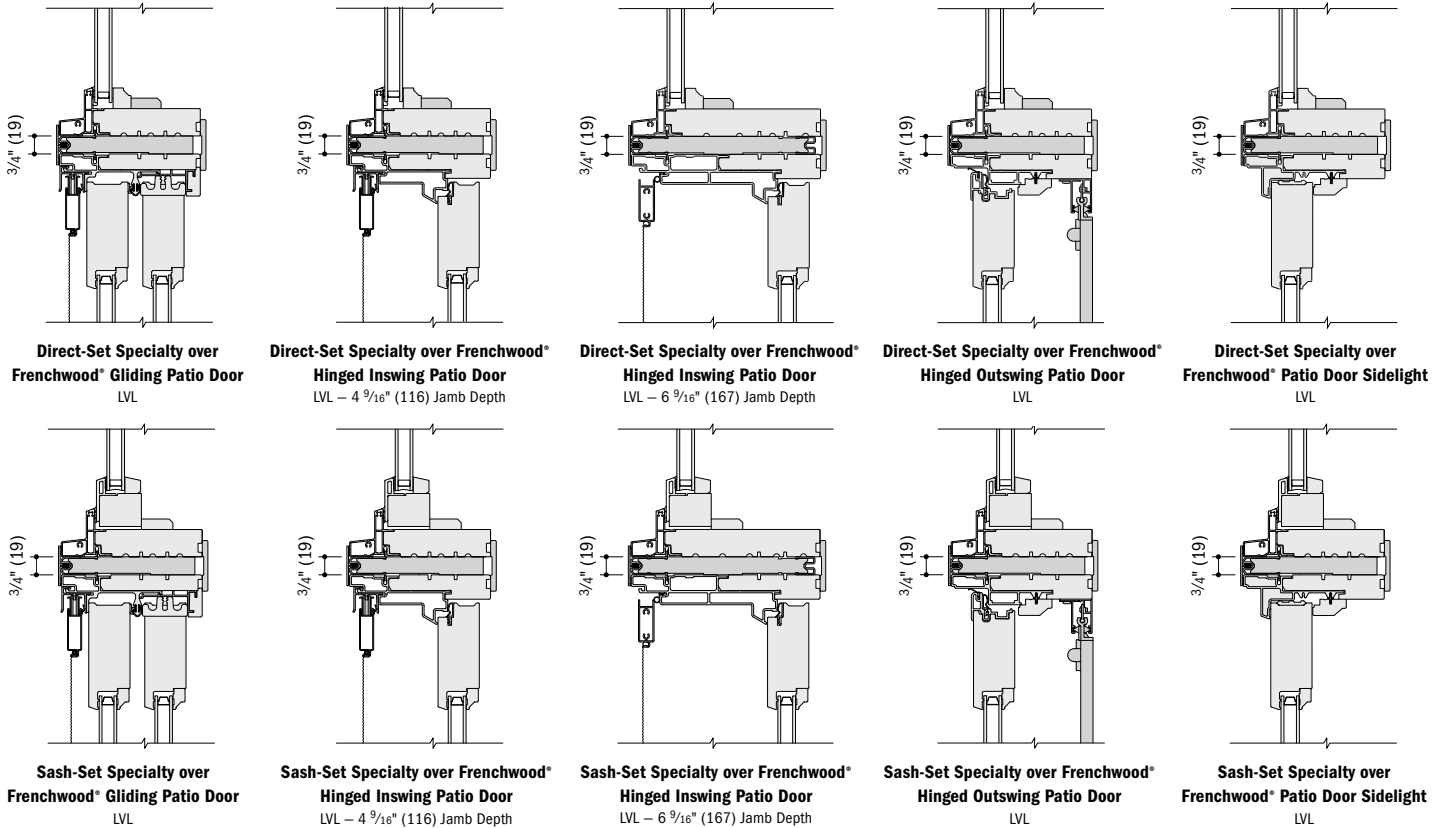
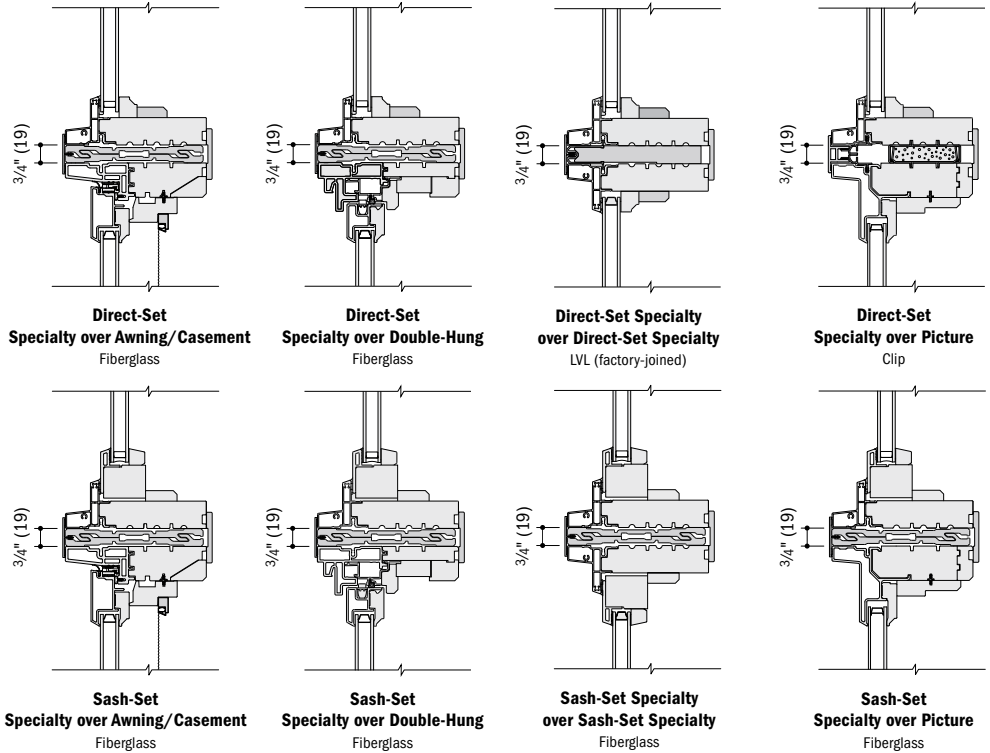
"Window over Door" Dimension Height

Sum of individual "window over window" or "window over door" heights plus ¾" (19).

Overall Minimum Rough Opening Height

Overall dimension height plus ¾" (19).

For more joining information, see the combination designs section starting on page 206.



- Light-colored areas are parts included with window. Dark-colored areas are additional Andersen® parts required to complete window assembly as shown.
- Dimensions in parentheses are in millimeters.
- Rough openings may need to be increased to allow for use of building wraps, flashing, sill panning, brackets, fasteners or other items. See installation information on pages 236-237.
- Details are for illustration only and are not intended to represent product installation methods or materials. Refer to product installation guides at andersenwindows.com.
- For LVL and clip joining material, structural performance of any combination is only as high as the lowest structural performance of any individual window or join in the combination.

COMPLEMENTARY CASEMENT WINDOWS

A-Series
Complementary
Casement Windows

CUSTOM SIZING
in 1/8" (3) increments



SECTION REFERENCE

Styles & Sizes	120
Window Details	121-122
Product Performance.....	214
Warranty.....	238-240

Dimensions in parentheses are in millimeters.

COMPLEMENTARY CASEMENT WINDOWS

FEATURES

Frame

- A** Heavy-duty extruded aluminum cladding protects the frame exterior, providing low-maintenance durability. Standard cladding finish meets AAMA 2604. An optional finish that meets the AAMA 2605 standard is also available.
- B** Wood frame members are treated with a water-repellent wood preservative for long-lasting* protection and performance.
- C** Interior stops are unfinished. Low-maintenance prefinished White, Dark Bronze and Black interiors are also available.

Installation flange extends 1 1/2" (38) around the perimeter of the unit for positioning and locating. Installation clips are standard for increased structural anchoring to building members. Mounted around the frame perimeter, the clips rotate into position and can be bent into place against the framing members to suit all jamb conditions.



Sash

- D** Wood core members provide excellent structural stability and energy efficiency.
- E** Heavy-duty extruded aluminum cladding protects the sash exterior, providing low-maintenance durability.

F Weatherstripping throughout the unit provides a long-lasting, energy-efficient seal. Rain skirt is factory installed on the perimeter of the sash.

Glass

- G** Silicone glazing bead combined with two-sided silicone tape provides superior weathertightness.
- H** High-Performance glass options include:

- Low-E4® glass
- Low-E4 glass with HeatLock® glass
- Low-E4 Sun glass
- Low-E4 SmartSun™ glass
- Low-E4 SmartSun HeatLock glass

Tempered glass and other glass options are available. Contact your Andersen supplier.

A removable translucent film helps shield the glass from damage during delivery and construction and also simplifies finishing at the jobsite.

Patterned Glass

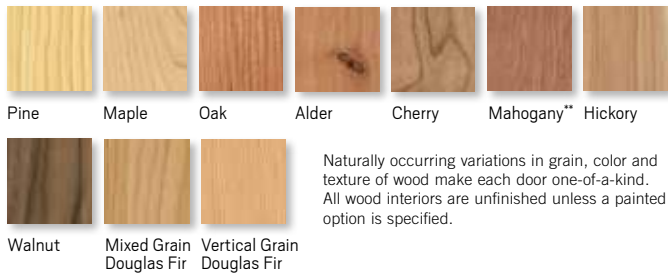
Patterned glass options are available. See page 18 for more details.

EXTERIOR



INTERIOR

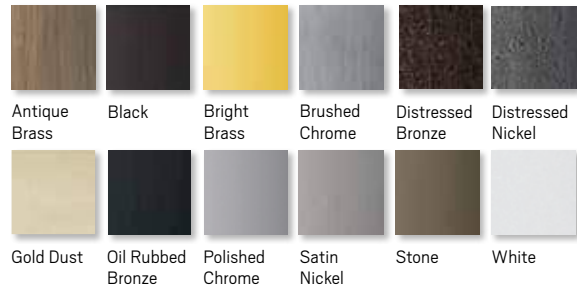
WOOD SPECIES Additional wood species available.



PAINTED OPTIONS Available on pine.



HARDWARE FINISHES



Distressed bronze and oil rubbed bronze are "living" finishes that will change with time and use.

HARDWARE OPTIONS Sold Separately

CONTEMPORARY FOLDING



Black | Bright Brass
Gold Dust | Oil Rubbed Bronze
Satin Nickel | Stone | White

TRADITIONAL FOLDING



Antique Brass | Black | Bright Brass
Distressed Bronze | Distressed Nickel | Gold Dust
Oil Rubbed Bronze | Satin Nickel | Stone | White

Folding handle avoids interference with window treatments.

CLASSIC SERIES™



Stone | White

ESTATE™



Antique Brass | Bright Brass | Brushed Chrome
Distressed Bronze | Distressed Nickel
Oil Rubbed Bronze | Polished Chrome | Satin Nickel

Bold name denotes finish shown

* Visit andersenwindows.com/warranty for details.

** Actual wood is Sapele, a non-endangered species of mahogany grown in Africa, with color and characteristics similar to American mahoganies.

Dimensions in parentheses are in millimeters.

Printing limitations prevent exact duplication of colors and finishes. See your Andersen supplier for actual color and finish samples.

Hardware

Smooth Control Hardware System



The smooth control hardware system employs a worm gear drive for easy operation. The split-arm operator moves the sash away from the frame to provide for easier glass cleaning on rectangular units. Arch and Springline™ units use the same smooth control hardware system with stainless steel butt hinges for smooth operation. Hardware option and finish must be specified. Operator handle and cover sold separately.

Single-Actuation Casement Lock



A single-actuation lock easily releases all locking points on casement sash while the reach-out action eliminates binding when closing. The lock handle is offered in finishes that coordinate with your specified hardware option.

French Casement



Andersen® complementary French casements allow both sash to swing outward from the center, eliminating a center mullion post. They offer smooth-operating multi-point locking mechanisms and hinges. The multi-point lock is activated with a single turn of a handle and simultaneously secures both sash. French casement windows have a unique locking handle that is available in all finishes except distressed bronze, distressed nickel and gold dust.

ACCESSORIES Sold Separately

Frame

Extension Jamb



Complementary casement jamb depth is 3 3/8" (86). Extension jamba are available in 1/16" (1.5) increments between 4 3/16" (116) and 7 1/8" (181). Additional dimensions are available, contact your Andersen supplier for more information. Available in all wood species and interior colors. Available for jobsite application or can be factory-applied.

Hardware

Corrosion-Resistant Components



Corrosion-resistant hinge and operator arm hardware is designed for applications in harsh and corrosive environments, such as heavy industrial or coastal areas.* Shown on a 400 Series casement window.

Window Opening Control Device Kit



A Window Opening Control Device Kit is available, which limits sash travel to less than 4" (102) when the window is first opened. Available factory-applied, in Stone, White and Black on all casements except French casement windows. Shown on a 400 Series awning window.

Special Use Operator Handles

Available in Classic Series™ design only.

Compact Operator Handle



Specially designed for use in situations where blinds or other window treatments interfere with standard operator handle. Available in White or Stone finish.

Easy-Grip Handle



Larger knob makes it easier to grip and operate. Available in White or Stone finish.

Metal T-Handle



Our smallest operator handle, the metal T-handle, may make it more difficult for young children (5 and under) to open the window.

For more information on child safety, write:

Andersen Corporation
LookOut for Kids® Program
100 Fourth Avenue North
Bayport, MN 55003

Call 1-800-313-8889 or email us at:
lofk@andersencorp.com

Operator Spline Cover



An operator spline cover is an attractive cap that covers the roto operator stud when the handle has been removed to control access or operation of the window. The operator spline cover should not be used on any window designated or intended for emergency escape or rescue. Please consult your local building code official for local egress code requirements.

Security Sensors

VeriLock® Sensors

VeriLock sensors are available in five colors. See page 16-17 for details.

Open/Close Sensors

Wireless open/close sensors are available in four colors. See page 16-17 for details.

Insect Screens

TruScene® Insect Screen



Exclusive Andersen TruScene® insect screens provide 50% more clarity than our conventional insect screens for a beautiful unobstructed view. They allow more fresh air and sunlight in, while doing a better job of keeping out small insects. For complementary casement windows, TruScene frames are available in White, Stone, Dark Bronze and Black as well as pine, oak and maple wood veneers.

Conventional Insect Screens

Conventional insect screens have black fiberglass screen mesh. Optional charcoal powder-coated aluminum screen mesh is available. Frames are available in White, Stone, Dark Bronze and Black.

CAUTION:

- Do not paint weatherstripping.
- Creosote-based stains should not come in contact with Andersen products.
- Abrasive cleaners or solutions containing corrosive solvents should not be used on Andersen products.

* Visit andersenwindows.com/warranty for details. Dimensions in parentheses are in millimeters.

COMPLEMENTARY CASEMENT WINDOWS

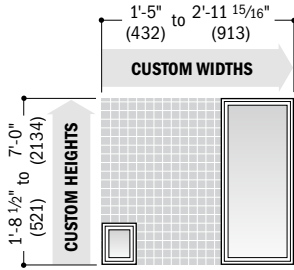
Styles and Sizes

Choose left, right or stationary as viewed from the exterior. For standard sizes, minimum rough opening dimensions and opening specifications, contact your Andersen supplier. Complementary casement windows are designed to be stand-alone feature windows and cannot be directly joined to A-Series windows or doors.

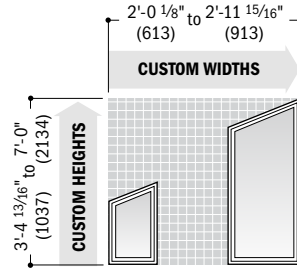


Custom-size windows are available in 1/8" (3) increments between minimum and maximum widths and heights shown. Some restrictions apply.

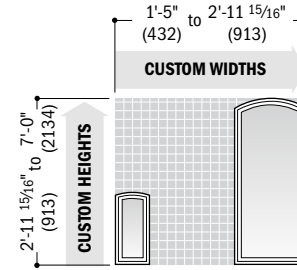
Rectangle Casement



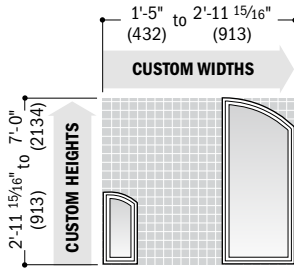
Trapezoid Casement*



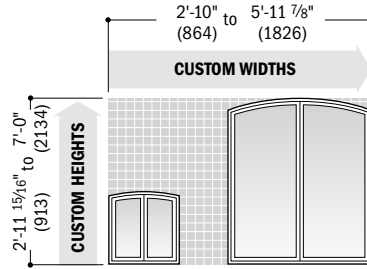
Arch Casement*



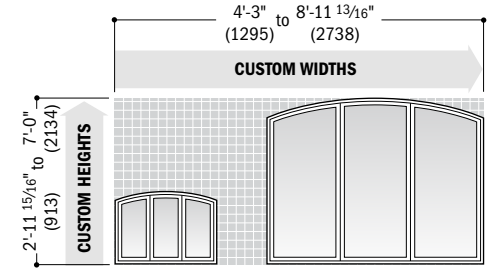
Unequal Leg Arch Casement



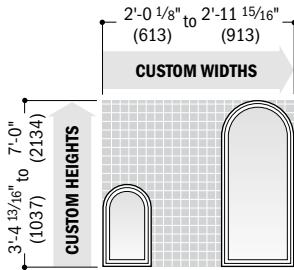
Twin Arch Casement*



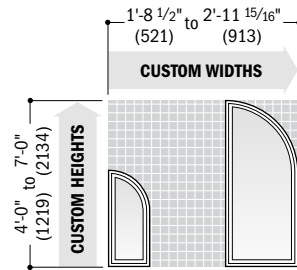
Triple Arch Casement*



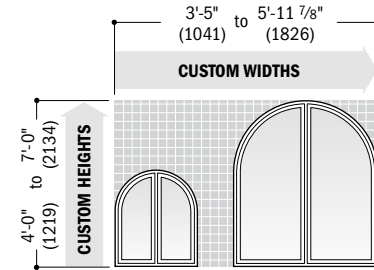
Springline™ Casement*



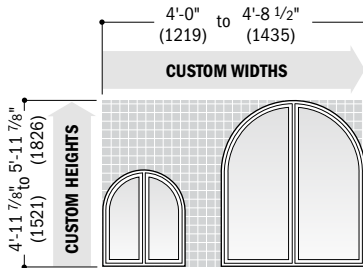
Springline™ Flanker Casement*



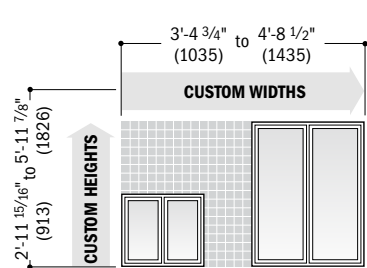
Twin Springline™ Casement*



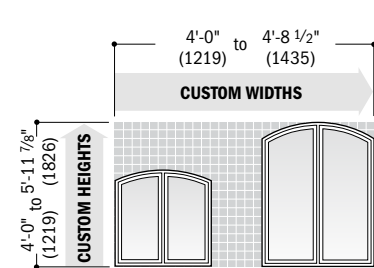
Springline™ French Casement



Rectangle French Casement



Arch French Casement



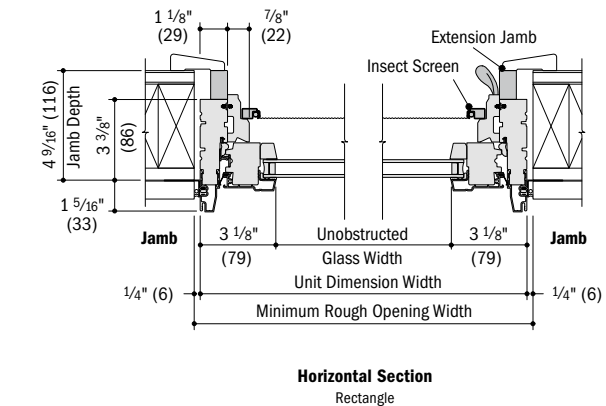
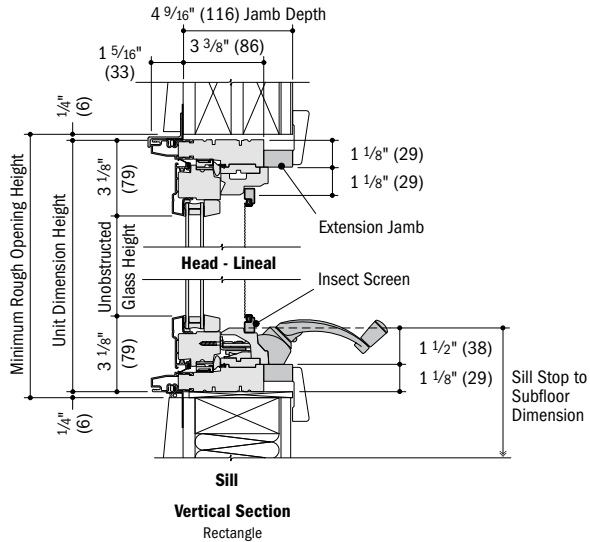
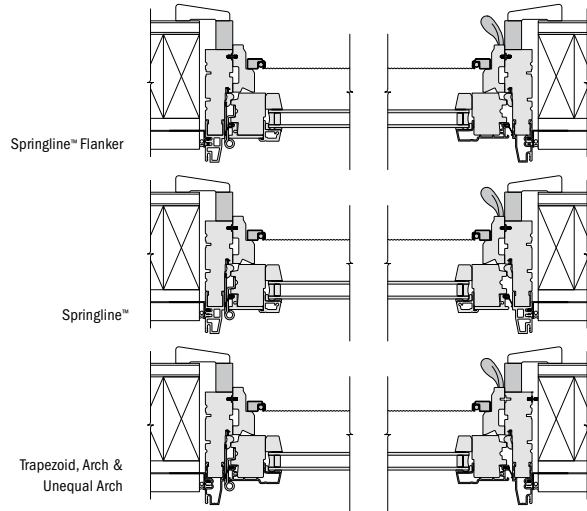
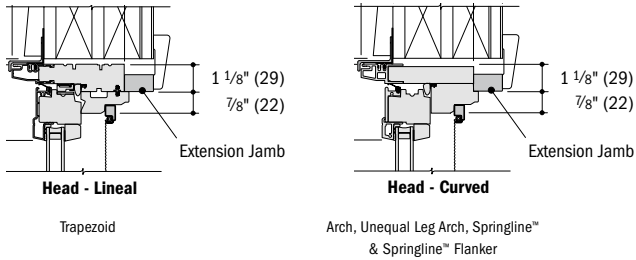
For casement picture and transom window sizes contact your Andersen supplier.

* Rough openings may need to be increased to allow for use of building wraps, flashing, sill panning, brackets, fasteners or other items. See pages 236-237 for more details.
• Dimensions in parentheses are in millimeters.

*For exterior wall cladding that extends beyond the face of the window, there may be a reduction in the amount of opening "swing" when the curved portion of the sash touches the curved portion of the wall cladding.

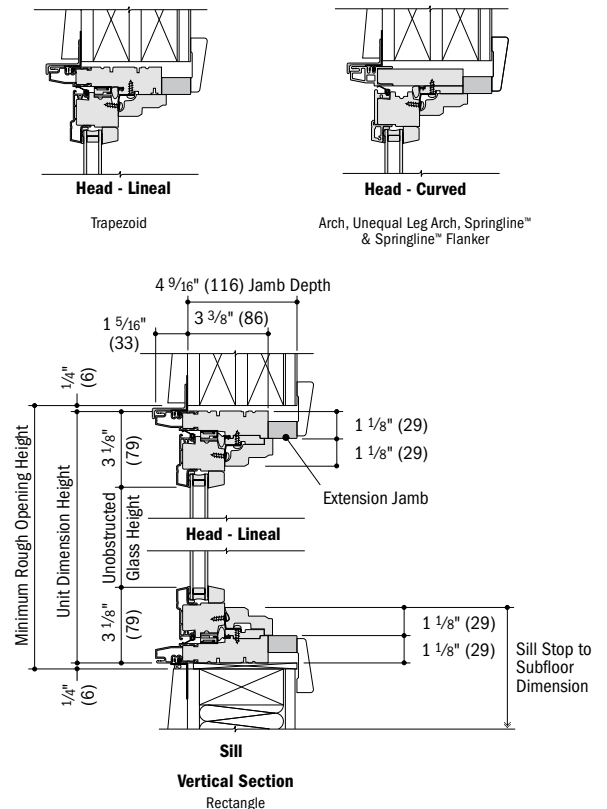
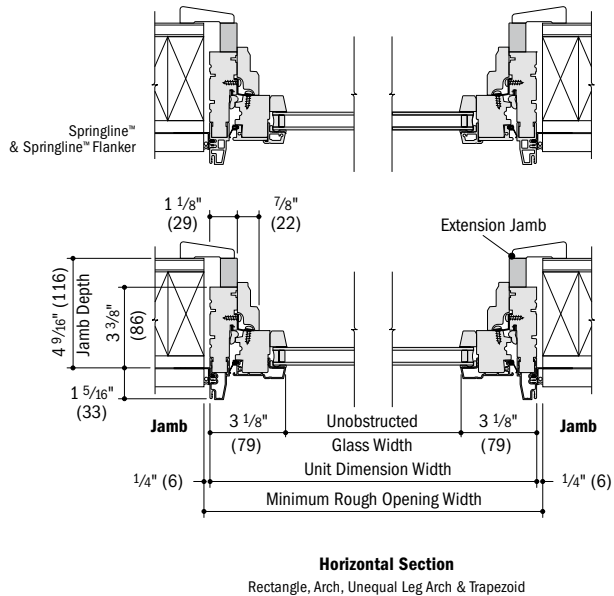
Clad Complementary Venting Casement Window Details

Scale 1 1/2" (38) = 1'-0" (305) – 1:8



Clad Complementary Stationary Casement Window Details

Scale 1 1/2" (38) = 1'-0" (305) – 1:8

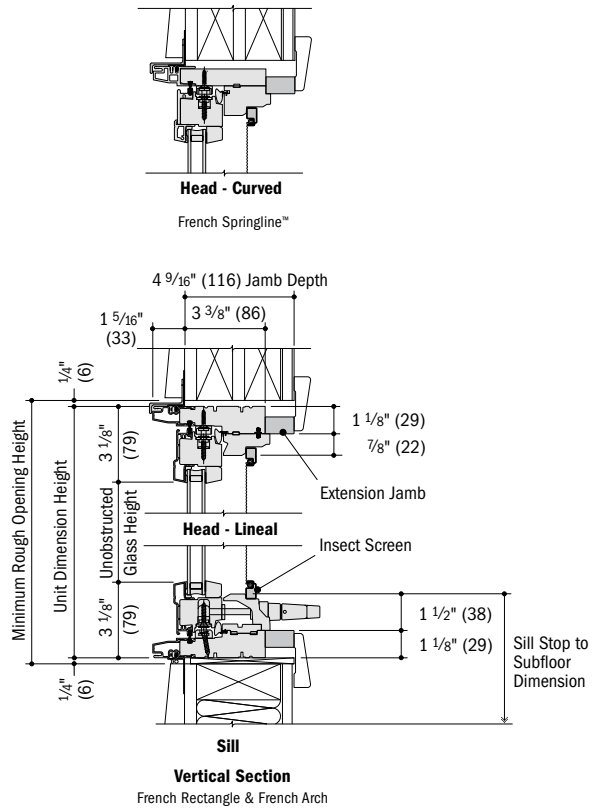
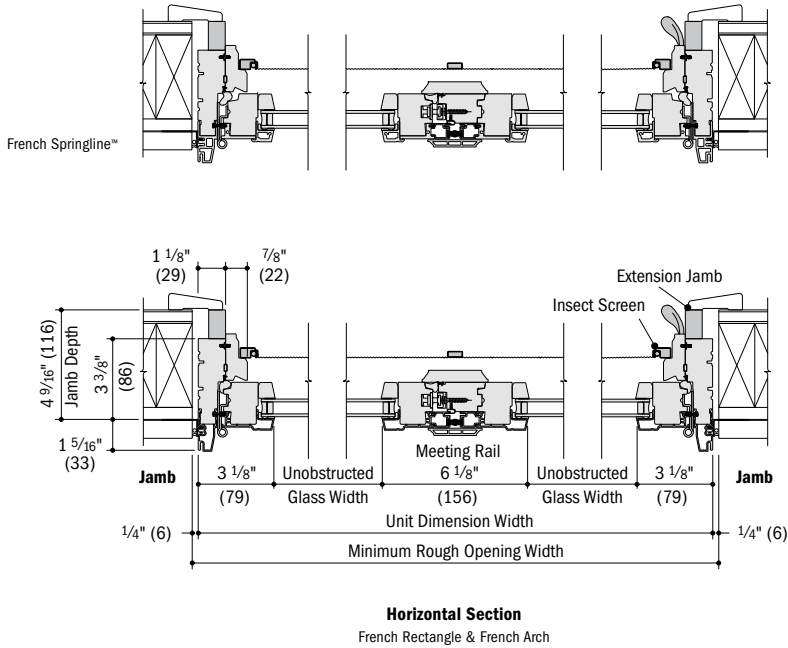


- 4 9/16" (116) jamb depth measurement is from back side of installation flange.
- Light-colored areas are parts included with window. Dark-colored areas are additional Andersen® parts required to complete window assembly as shown.
- **Rough openings may need to be increased to allow for use of building wraps, flashing, sill panning, brackets, fasteners or other items. See installation information on pages 236-237.**
- Details are for illustration only and are not intended to represent product installation methods or materials. Refer to unit installation guides at andersenwindows.com.
- Dimensions in parentheses are in millimeters.

COMPLEMENTARY CASEMENT WINDOWS

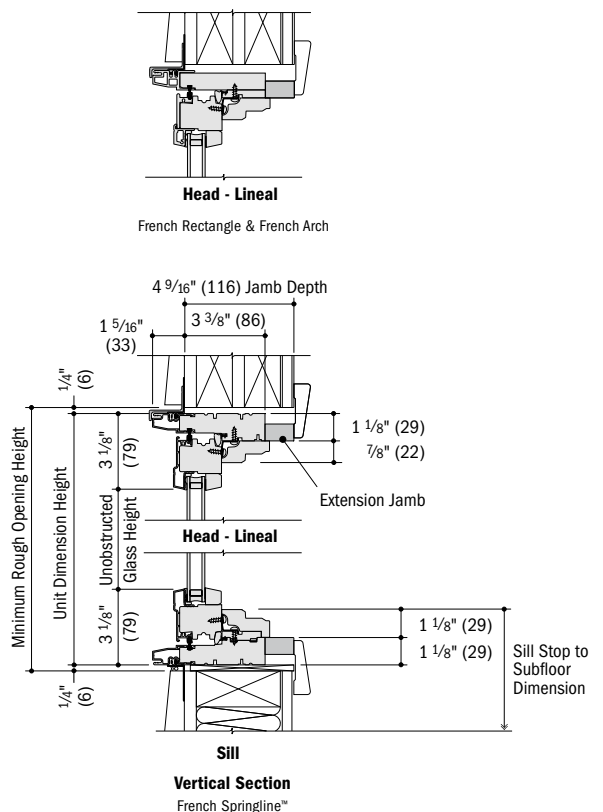
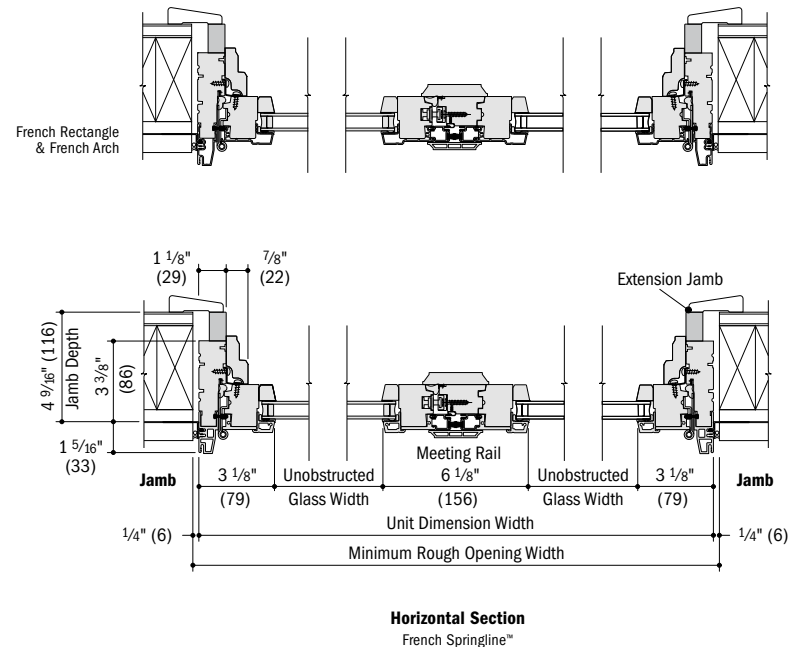
Clad Complementary Venting French Casement Window Details

Scale 1 1/2" (38) = 1'-0" (305) – 1:8



Clad Complementary Stationary French Casement Window Details

Scale 1 1/2" (38) = 1'-0" (305) – 1:8



- 4 9/16" (116) jamb depth measurement is from back side of installation flange.
- Light-colored areas are parts included with window. Dark-colored areas are additional Andersen™ parts required to complete window assembly as shown.
- Rough openings may need to be increased to allow for use of building wraps, flashing, sill panning, brackets, fasteners or other items. See installation information on pages 236-237.
- Details are for illustration only and are not intended to represent product installation methods or materials. Refer to unit installation guides at andersenwindows.com.
- Dimensions in parentheses are in millimeters.

FRENCHWOOD[®] PATIO DOORS

CUSTOM SIZING
in 1/8" (3) increments



A-Series
Frenchwood[®]
Patio Door Overview

SECTION REFERENCE

Frenchwood[®] Gliding

- Table of Sizes..... 130–131
- Specifications 131
- Grille Patterns..... 146
- Door Details..... 132–133

Frenchwood Hinged Inswing

- Table of Sizes..... 134–137
- Specifications 138–139
- Grille Patterns..... 146
- Door Details..... 140–143

Frenchwood Hinged Outswing

- Table of Sizes..... 144
- Specifications 145
- Grille Patterns..... 146
- Door Details..... 146–147

Frenchwood Sidelights & Transoms

- Table of Sizes..... 148–152
- Specifications 151–153
- Grille Patterns..... 154
- Sidelight &
Transom Details 154–155

- Joining Details..... 156–159
- Custom Sizing..... 160–162
- Combination Designs 206
- Product Performance..... 214
- Warranty..... 238–240

Dimensions in parentheses are in millimeters.

FRENCHWOOD® PATIO DOORS

FEATURES

FRENCHWOOD® GLIDING PATIO DOORS

Frame

A Frame constructed with a wood core and a fiberglass exterior. This construction produces a rigid frame and a low-maintenance, durable exterior.

B Wood members are treated with a water-repellent preservative for long-lasting* protection and performance.

The interior wood jamb has an extension jamb kerf, making it easy to add interior extension jambs matching wall thicknesses.

C The weather seal is made from a flexible polyethylene leaf with a urethane foam core on the sill and stationary side jambs, and a polypropylene fin weatherstrip on the head and operating side jambs, creating a positive seal between the frame and panels. This system provides a long-lasting, energy-efficient barrier against wind, water and dust.

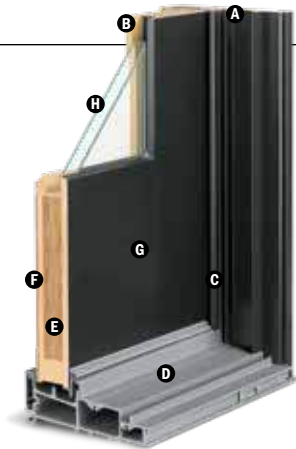
Sill

D One-piece fiberglass design provides superior water management. The nonconductive fiberglass construction enhances energy performance, and its superior strength eliminates the need for a sill support.

Slip- and wear-resistant poly bead finish available in either neutral gray or dark bronze color.

The roller track has a stainless steel cap that resists denting for smooth, reliable operation.

A factory-applied drop-nose channel attachment is optional for enhanced water performance. See page 133 for details.



Panel

E Panel stiles and rails are constructed of an engineered LVL core. This LVL core provides strength and helps prevent warping for consistent smooth operation.

F Interior panel surfaces are constructed from premium wood veneer available in pine, maple, oak, cherry, mahogany** and vertical grain douglas fir. All prefinished interior options use water-based paints and stains.

G The exterior of the wood panel is protected with a Flexacron® paint system; this stabilized polyester paint is electrostatically applied to penetrate all exterior surfaces for maximum protection and a lustrous, low-maintenance finish.

Dual corrosion-resistant* ball-bearing rollers on door panels provide smooth gliding operation with self-contained leveling adjusters.

Dual ball-bearing rollers have deep grooves to increase engagement with the roller track and resist lateral movement.

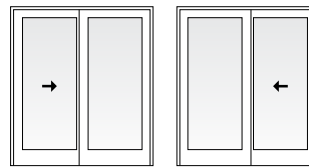
A parting stop bracket adds strength to the door by reinforcing the top of the panels.

Flexible Seal

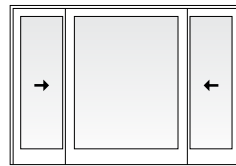


A full-length combination weatherstrip/interlock system provides a flexible seal at the meeting stile. Shown on a 400 Series Frenchwood gliding patio door.

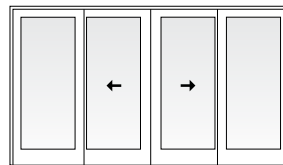
Multiple Panel Configurations



Two-Panel



Three-Panel



Four-Panel

Glass

See page 125 for details.

Hardware

Multi-Point Locking System



The multi-point locking system features a unique reachout design that pulls the door panel tightly closed for a weathertight seal and enhanced security.

* Visit andersenwindows.com/warranty for details.

** Actual wood is Sapele, a non-endangered species of mahogany grown in Africa, with color and characteristics similar to American mahoganies. "Flexacron" is a registered trademark of PPG Industries, Inc.

FEATURES

FRENCHWOOD® HINGED INSWING PATIO DOORS

Frame

A Frame constructed with a wood core and a fiberglass exterior. This construction produces a rigid frame and a low-maintenance, durable exterior.

B Wood members are treated with a water-repellent preservative for long-lasting* protection and performance.

The interior wood jamb has an extension jamb kerf, making it easy to add interior extension jambs matching wall thicknesses.

Frenchwood hinged inswing patio doors are available in 4 1/16" (116) and 6 1/16" (167) jamb depths.

Sill

C One-piece fiberglass design provides superior water management. The nonconductive fiberglass construction enhances energy performance, and its superior strength eliminates the need for a sill support.

Slip- and wear-resistant poly bead finish available in either neutral gray or dark bronze color.

A factory-applied drop-nose channel attachment is optional for enhanced water performance. See below for details.



Panel

D Panel stiles and rails are constructed of an engineered LVL core. This LVL core provides strength and helps prevent warping for consistent smooth operation.

E Interior panel surfaces are constructed from premium wood veneer available in pine, maple, oak, cherry, mahogany** and vertical grain douglas fir. All prefinished interior options use water-based paints and stains.

F The exterior of the wood panel is protected with a Flexacron® paint system; this stabilized polyester paint is electrostatically applied to penetrate all exterior surfaces for maximum protection and a lustrous, low-maintenance finish.

G Factory-applied, one-piece (welded corners), compression-type weatherstrip made from a durable thermoplastic material is attached directly to the panel, not the frame, creating a continuous plane around the panel to provide maximum effectiveness against air and water infiltration. This system provides a long-lasting, energy-efficient barrier against wind, water and dust.

Two-panel doors are available with one or two active panels. For doors with one active panel, hinges can be located along either the jamb or astragal.

Adjustable Hinges

Adjustable hinges have ball-bearing pivots for smooth, frictionless movement and feature easy horizontal and vertical adjustments, plus a quick-release feature for easy panel removal. This release

feature is ideal for transporting large units up stairs or to other hard-to-reach areas. Gold dust finish is standard on wood interior doors. For units with a prefinished White interior, white finish hinges are standard. Also available in finishes that coordinate with most hardware.



H Glass

See below for details.

Hardware

Multi-Point Locking System



The Frenchwood hinged patio door has a multi-point locking system with a hook bolt above and below the center deadbolt. This system provides added weathertightness and enhanced security.

Optional Corrosion-Resistant Hardware

Optional corrosion-resistant locking mechanism is available and recommended for applications within two miles of the coast and other harsh environments.*

COMMON FEATURES

Glass

Panels are silicone bed glazed and finished with an interior wood glass stop.

High-Performance dual-pane glass options include:

- Low-E4® tempered glass
- Low-E4 HeatLock® tempered glass
- Low-E4 Sun tempered glass
- Low-E4 SmartSun™ tempered glass
- Low-E4 SmartSun HeatLock tempered glass

For even greater energy performance, triple-pane glass is available in these glass options:

- Low-E4 tempered glass
- Low-E4 Enhanced tempered glass
- Low-E4 Enhanced HeatLock tempered glass
- Low-E4 SmartSun tempered glass
- Low-E4 SmartSun Enhanced tempered glass
- Low-E4 SmartSun Enhanced HeatLock tempered glass

Additional glass options are available. Contact your Andersen supplier.

A removable translucent film helps shield the glass from damage during delivery and construction and also simplifies finishing at the jobsite.

Patterned Glass

Patterned glass options are available. See pages 18 for more details.

Taller Heights

A-Series Frenchwood patio doors and patio door sidelights are now available in 10' (3028) heights.

StormWATCH[®] PROTECTION

Frenchwood patio doors are available with Stormwatch® protection. For a copy of the *Andersen® Coastal Product Guide*, go to andersenwindows.com/coastal or contact your Andersen supplier.

Performance Grade (PG) Upgrade Optional Drop-Nose Channel



A factory-applied, patented drop-nose channel is available when higher product performance is required. Drop-nose channel provides enhanced water performance without increasing interior sill height. Shown on a Frenchwood hinged inswing patio door. Details shown for gliding door on page 133 and hinged inswing door on page 139.

* Visit andersenwindows.com/warranty for details.

** Actual wood is Sapele, a non-endangered species of mahogany grown in Africa, with color and characteristics similar to American mahogonies.

"Flexacron" is a registered trademark of PPG Industries, Inc. Dimensions in parentheses are in millimeters.

FRENCHWOOD® PATIO DOORS

FEATURES

FRENCHWOOD® HINGED OUTSWING PATIO DOORS

Frame

A Frame constructed with a wood core and a fiberglass exterior. This construction produces a rigid frame and a low-maintenance, durable exterior.

B Wood members are treated with a water-repellent preservative for long-lasting* protection and performance.

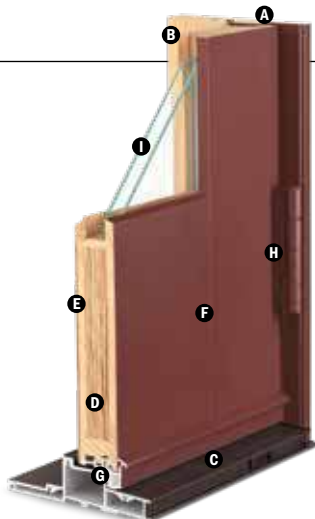
The interior wood jamb has an extension jamb kerf, making it easy to add interior extension jambs matching wall thicknesses.

Sill

C One-piece non-conductive fiberglass construction enhances energy performance, and its superior strength eliminates the need for a sill support. An innovative sill design provides superior water management.

Slip- and wear-resistant poly bead finish available in either neutral gray or dark bronze color.

A factory-applied drop-nose channel attachment is optional for enhanced water performance. See page 146 for details.



Panel

D Panel stiles and rails are constructed of an engineered LVL core. This LVL core provides strength and helps prevent warping for consistent smooth operation.

E Interior panel surfaces are constructed from premium wood veneer available in pine, maple, oak, cherry, mahogany** and vertical grain douglas fir. All prefinished interior options use water-based paints and stains.

F The exterior of the wood panel is protected with a Flexacron® paint system; this stabilized polyester paint is electrostatically applied to penetrate all exterior surfaces for maximum protection and a lustrous, low-maintenance finish.

G Factory-applied one-piece (welded corners), compression-type weatherstrip made from a durable thermoplastic material is attached directly to the panel, not the frame, creating a continuous plane around the panel to provide maximum effectiveness against air and water infiltration. The weatherstripping creates a strong, long-lasting* seal that stands up to harsh weather.

Hinged outswing operating panels are available in either single left- or right-hand active or two-panel active/passive jamb-hinged.

Removable Panels



Removable panels simplify finishing and allow for easy storage during construction. Release tabs are covered with a cap for a clean appearance. The panels can be easily removed with the unique panel release tab on the hinge. This release feature is ideal for transporting large units up stairs or to other hard-to-reach areas.

H The ball-bearing hinges are covered with a corrosion-resistant powder-coat finish. Hinges are color-matched to the panel exterior and can be adjusted up/down and left/right after installation.

Glass

See page 127 for details.

Hardware

Multi-Point Locking System



The Frenchwood hinged patio door has a multi-point locking system with a hook bolt above and below the center deadbolt. This system provides added weathertightness and enhanced security.

Optional Corrosion-Resistant Hardware

Optional corrosion-resistant locking mechanism and hinges are available and recommended for applications within two miles of the coast and other harsh environments.*

* Visit andersenwindows.com/warranty for details.

** Actual wood is Sapele, a non-endangered species of mahogany grown in Africa, with color and characteristics similar to American mahoganies.

†Flexacron™ is a registered trademark of PPG Industries, Inc.



FEATURES

FRENCHWOOD® PATIO DOOR SIDELIGHTS

Frame

Frame constructed with a wood core and a fiberglass exterior. This construction produces a rigid frame and a low-maintenance, durable exterior.

Wood members are treated with a water-repellent preservative for long-lasting* protection and performance.

The interior wood jamb has an extension jamb kerf, making it easy to add interior extension jambs matching wall thicknesses.

Sill

One-piece fiberglass design provides superior water management. The nonconductive fiberglass construction enhances energy performance, and its superior strength eliminates the need for a sill support.

Slip- and wear-resistant poly bead finish available in either neutral gray or dark bronze color.

Panel

Panel stiles and rails are constructed of an engineered LVL core. This LVL core provides strength and helps prevent warping for consistent smooth operation.



FRENCHWOOD PATIO DOOR TRANSOMS

Frame

Frame constructed with a wood core and a fiberglass exterior. This construction produces a rigid frame and a low-maintenance, durable exterior.

Wood members are treated with a water-repellent preservative for long-lasting* protection and performance.

The interior wood jamb has an extension jamb kerf, making it easy to add interior extension jambs matching wall thicknesses.

Sash

Available in direct-set or sash-set construction. Direct-set transoms have glass glazed directly into the frame and maximize glass area. Sash-set transoms feature a stationary sash and provide common sight lines with A-Series patio doors.

Frenchwood patio door transoms feature elegant lines that match the Frenchwood patio doors. Available in pine, maple, oak, cherry, mahogany** and vertical grain douglas fir.

Glass

See below for details.

Interior panel surfaces are constructed from premium wood veneer available in pine, maple, oak, cherry, mahogany** and vertical grain douglas fir. All prefinished interior options use water-based paints and stains.

The exterior of the wood panel is protected with a Flexacron® paint system; this stabilized polyester paint is electrostatically applied to penetrate all exterior surfaces for maximum protection and a lustrous, low-maintenance finish.

Glass

See below for details.

COMMON FEATURES

Glass

Panels are silicone bed glazed and finished with an interior wood glass stop.

High-Performance dual-pane glass options include:

- Low-E4® tempered glass
- Low-E4 HeatLock® tempered glass
- Low-E4 Sun tempered glass
- Low-E4 SmartSun™ tempered glass
- Low-E4 SmartSun HeatLock tempered glass

For even greater energy performance, triple-pane glass is available in these glass options:

- Low-E4 tempered glass
- Low-E4 Enhanced tempered glass
- Low-E4 Enhanced HeatLock tempered glass
- Low-E4 SmartSun tempered glass
- Low-E4 SmartSun Enhanced tempered glass
- Low-E4 SmartSun Enhanced HeatLock tempered glass

Additional glass options are available. Contact your Andersen supplier.

A removable translucent film helps shield the glass from damage during delivery and construction and also simplifies finishing at the jobsite.

Patterned Glass

Patterned glass options are available. See pages 18 for more details.

Taller Heights

A-Series Frenchwood patio doors and patio door sidelights are now available in 10' (3028) heights.



Frenchwood patio doors are available with Stormwatch® protection. For a copy of the Andersen® Coastal Product Guide, go to andersenwindows.com/coastal or contact your Andersen supplier.

Performance Grade (PG) Upgrade Optional Drop-Nose Channel



A factory-applied, patented drop-nose channel is available when higher product performance is required. Drop-nose channel provides enhanced water performance without increasing interior sill height. Shown on a Frenchwood hinged inswing patio door. Details shown for hinged outswing door on page 146.

* Visit andersenwindows.com/warranty for details.

** Actual wood is Sapele, a non-endangered species of mahogany grown in Africa, with color and characteristics similar to American mahoganies. "Flexacron" is a registered trademark of PPG Industries, Inc.

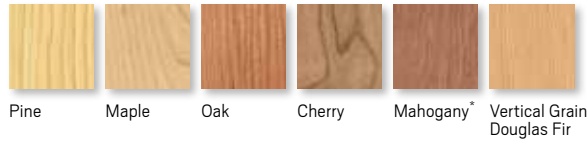
FRENCHWOOD® PATIO DOORS

EXTERIOR



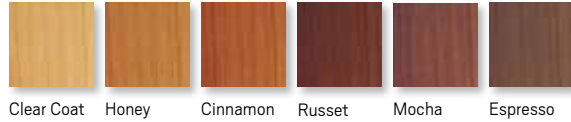
INTERIOR

WOOD SPECIES



FACTORY-FINISHED INTERIORS

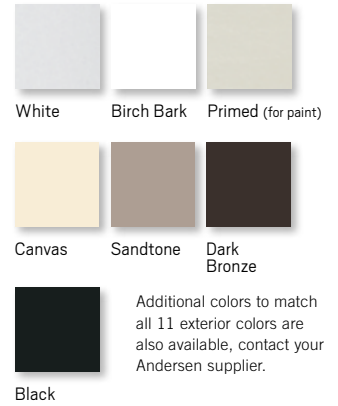
Shown on pine. Available on pine, maple and oak only.



Naturally occurring variations in grain, color and texture of wood make each window one of a kind. All wood interiors are unfinished unless a finish is specified.

PAINTED OPTIONS

Available on pine. Additional colors available.

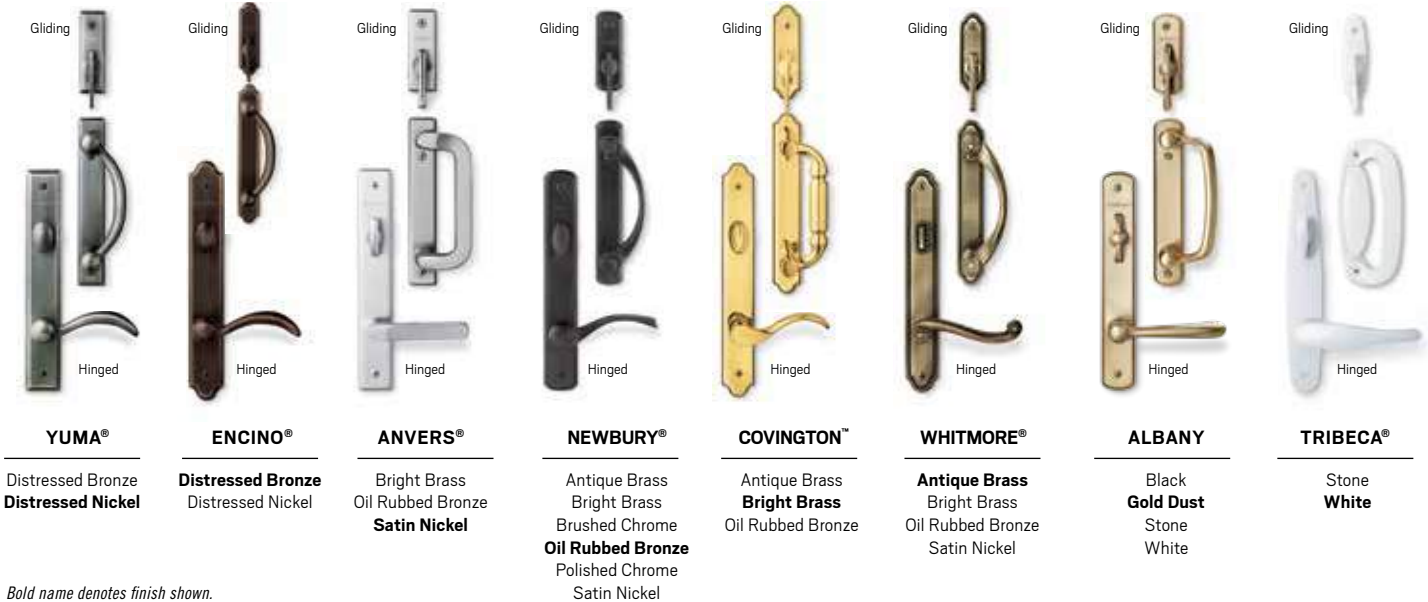


HARDWARE FINISHES

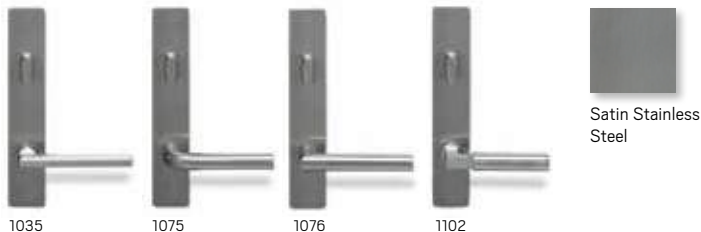


Distressed bronze and oil rubbed bronze are "living" finishes that will change with time and use.

HARDWARE OPTIONS Sold Separately**



FSB® HINGED PATIO DOOR HARDWARE



* Actual wood is Sapele, a non-endangered species of mahogany grown in Africa, with color and characteristics similar to American mahoganies.

** Matching hinges available in most hardware finishes for inswing patio doors. Mix and match interior and exterior style and finish options are available. Bright brass and satin nickel finishes feature a 10-year limited warranty.

Tribecca and Albany hardware are zinc diecast with powder-coated durable finish, other hardware is solid forged brass. Printing limitations prevent exact duplication of colors and finishes. See your Andersen supplier for actual color and finish samples.

"FSB" is a registered trademark of Franz Schneider Brakel GmbH & Co.

ACCESSORIES Sold Separately

Frame

Extension Jamb

Available in pine, maple, oak, cherry, mahogany* and vertical grain douglas fir precut to fit the unit. Available in 1/16" (1.5) increments up to 7 1/8" (181) and can be prefinished to match the interior finish of the unit. This option is also available factory applied.

Interior extension jamb on inswing units will restrict the full opening of the door.

Threshold for Frenchwood® Gliding and Hinged Inswing Patio Doors



An oak or maple threshold is available for finishing the interior of the sill on Frenchwood gliding and hinged inswing patio doors.

Sill Step for Frenchwood Hinged Outswing Patio Doors

The Frenchwood hinged outswing door offers an optional oak or maple sill step.

Remodeler Sill Clip



Allows for easy installation in replacement applications with a finished interior floor. This clip fastens to the subfloor, and the sill snaps into the clip, providing a secured structural installation.

Hardware

Exterior Keyed Lock



A six-pin exterior key cylinder lock is available for all patio doors in styles and finishes that coordinate with hardware. This lock allows the patio door to be locked and unlocked from the exterior. Gliding patio door lock shown.

Auxiliary Foot Lock for Frenchwood Gliding Patio Doors



Provides an extra measure of security when the door is in a locked position. Lock can be set so the door is fully closed or partially open to provide a secure venting position. Available in all hardware finishes.

Handle Extension for Frenchwood Hinged Inswing and Outswing Patio Doors



Extends interior door handle an additional 1" (25) from the door panel to accommodate interior blinds or shades. Kit includes one handle extender and spindle. A second extender may be added to the spindle to increase the length an additional 1" (25) to a 2" (51) total extension. Extenders are available in finishes that coordinate with hardware.

Strike Plate Extensions for Frenchwood Hinged Inswing Patio Doors

Bright brass, antique brass, polished chrome, oil rubbed bronze, brushed chrome and satin nickel strike plate extensions are available for the following wall thicknesses:

- 5 1/4" (133)
- 6 3/16" (167)
- 7 1/8" (181)

Construction Lock for Frenchwood Inswing and Outswing Patio Doors



This hardware can be used to help secure the jobsite during the construction phase of the project. It features an undersized escutcheon plate, which makes on-site finishing easier.

Yale® Assure Lock® Keyless Lock



Monitor, lock and unlock from anywhere with the Yale Assure Lock. The sleek keyless lock includes Bluetooth® technology for key free unlocking and is compatible with Z-wave® for integration with a wide range of smart home platforms. See Page 16 for additional details.

Security Sensors

Open/Closed Sensors

Wireless open/closed sensors are available in four colors. See pages 16-17 for details.

Glass

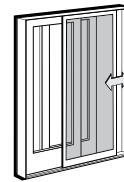
Andersen® Art Glass

Andersen art glass panels come in a variety of original patterns. See pages 14-15 for details on Andersen art glass. Visit andersenwindows.com/artglass for details and pattern information.

Insect Screens

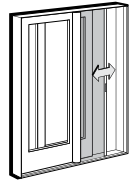
All insect screens have a long-lasting** fiberglass mesh with a charcoal finish. Insect screen frames are color matched to the exterior of your door unless otherwise noted.

Top-Hung Gliding and Gliding Insect Screens for Frenchwood Gliding and Hinged Inswing Patio Doors



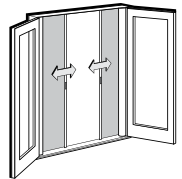
Patented square corner joints add considerable strength to the frame members. The insect screen is available in a conventional gliding or a premium top-hung gliding design. The conventional insect screen has bottom rollers with self-contained leveling adjusters. The premium top-hung insect screen has silicone-embedded glide hooks that hang from the top of the screen track, allowing it to glide smoothly and effortlessly. Alignment rollers on the bottom of the insect screen keep it in place on the track while the perimeter bug seal helps ensure insects stay on the outside.

Retractable Insect Screen for Frenchwood Gliding Patio Doors



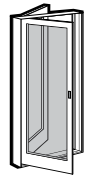
The retractable insect screen is installed on the exterior of the door and opens side-to-side across the width of the opening. When the insect screen is not in use, it neatly retracts into a small canister mounted on the exterior of the door. Available for two-panel doors. Please note, retractable screen track reduces clear opening height by 1" (25).

Retractable Insect Screen for Frenchwood Hinged Outswing Patio Doors



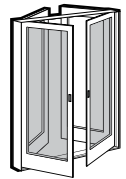
The retractable insect screen is installed on the interior of the door across the width of the opening. When the insect screen is not in use, it neatly retracts into small canisters mounted on each side of the door. Retractable insect screens are available for single-panel and two-panel doors with White, Gold Dust, pine, oak and maple finishes and six stains to match the interior of your door. Please note, retractable screen track reduces clear opening height by 1" (25).

Hinged Insect Screen for Frenchwood Hinged Inswing Patio Doors



Available for single-panel doors.

Double-Hinged Insect Screen for Frenchwood Hinged Inswing Patio Doors



Available for two-panel jamb-hinged doors.

Grilles

Grilles are available in a variety of configurations and widths. See pages 12-13 for details.

Exterior Trim

This product is available with Andersen Exterior Trim. See pages 173-178 for details.

* Actual wood is Sapele, a non-endangered species of mahogany grown in Africa, with color and characteristics similar to American mahoganies.
** Visit andersenwindows.com/warranty for details.

Dimensions in parentheses are in millimeters.

Note: Andersen patio doors are not intended for use as entrance doors.

FRENCHWOOD® GLIDING PATIO DOORS

Table of Frenchwood® Gliding Patio Door Sizes

Scale 1/8" (3) = 1'-0" (305) – 1:96

Door Dimension	2'-8 3/8" (822)	4'-11 1/4" (1505)	4'-11 1/4" (1505)	9'-9" (2972)	9'-9" (2972)
Minimum Rough Opening	2'-9" (838)	5'-0" (1524)	5'-0" (1524)	9'-10" (2997)	9'-10" (2997)
Unobstructed Glass (single panel only)	21 1/8" (537)	21 1/8" (537)	21 1/8" (537)	21 1/8" (537) 52" (1321) 21 1/8" (537)	21 1/8" (537)

1 FWGD	2968S	5068L	5068R	91068-3	91068-4*
2 FWGD	29611S	50611L	50611R	910611-3	910611-4*
3 FWGD	2980S	5080L	5080R	91080-3	91080-4*



Custom-size patio doors are available in 1/8" (3) increments. See pages 160-162 for custom sizes, specifications and information on shipping patio doors greater than 8' (2438).

Door Dimension	3'-2 3/8" (974)	5'-11 1/4" (1810)	5'-11 1/4" (1810)	11'-9" (3581)	11'-9" (3581)
Minimum Rough Opening	3'-3" (991)	6'-0" (1829)	6'-0" (1829)	11'-10" (3606)	11'-10" (3606)
Unobstructed Glass (single panel only)	27 1/8" (689)	27 1/8" (689)	27 1/8" (689)	27 1/8" (689) 64" (1626) 27 1/8" (689)	27 1/8" (689)

1 FWGD	3368S	6068L	6068R	111068-3	111068-4*
2 FWGD	33611S	60611L	60611R	1110611-3	1110611-4*
3 FWGD	3380S	6080L	6080R	111080-3	111080-4*

Door Dimension	3'-8 3/8" (1126)	6'-11 1/4" (2114)	6'-11 1/4" (2114)
Minimum Rough Opening	3'-9" (1067)	7'-0" (2133)	7'-0" (2133)
Unobstructed Glass (single panel only)	33 1/8" (841)	33 1/8" (841)	33 1/8" (841)

1 FWGD	3968S	7068L	7068R
2 FWGD	39611S	70611L	70611R
3 FWGD	3980S	7080L	7080R

Viewed from the exterior. Arrows indicate direction of panel operation. Stationary (S) doors can be used as an individual patio door or as a sidelight. Single-panel patio doors are factory-assembled. Two-panel patio doors are available unassembled or can be factory-assembled and will arrive at the jobsite ready to install. Three- and four-panel patio doors are not available factory-assembled.

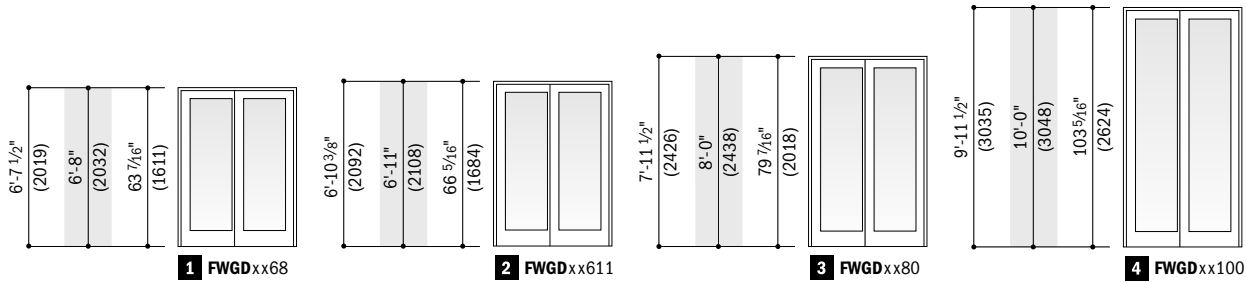
Details shown on pages 132-133. Grille patterns shown on page 146.

Door Dimension	4'-2 3/8" (1279)	7'-11 1/4" (2419)	7'-11 1/4" (2419)	15'-9" (4801)
Minimum Rough Opening	4'-3" (1295)	8'-0" (2438)	8'-0" (2438)	15'-10" (4826)
Unobstructed Glass (single panel only)	39 1/8" (994)	39 1/8" (994)	39 1/8" (994)	39 1/8" (994)

1 FWGD	4368S	8068L	8068R	151068-4*
2 FWGD	43611S	80611L	80611R	1510611-4*
3 FWGD	4380S	8080L	8080R	151080-4*

- "Door Dimension" always refers to outside frame to frame dimension.
- "Minimum Rough Opening" dimensions may need to be increased to allow for use of building wraps, flashing, sill panning, brackets, fasteners or other items. See pages 236-237 for more details.
- Dimensions in parentheses are in millimeters.
- *Add 1/4" (6) to the "Minimum Rough Opening" height dimension for four-panel doors.

Four Patio Door Heights



For all four-panel gliding patio doors, add 1/4" (6) to the "Minimum Rough Opening" height dimension.

Frenchwood® Gliding Patio Door Opening and Area Specifications

Door Number	Number of Panels in Open Position	Clear Opening Area Sq. Ft./ (m ²)	Clear Opening in Full Open Position		Glass Area Sq. Ft./ (m ²)	Vent Area Sq. Ft./ (m ²)	Overall Door Area Sq. Ft./ (m ²)
			Width Inches/(mm)	Height Inches/(mm)			
FWGD5068	1	11.16 (1.04)	21 1/4" (540)	75 1/2" (1918)	18.61 (1.73)	11.16 (1.04)	32.71 (3.04)
FWGD6068	1	14.31 (1.33)	27 1/4" (692)	75 1/2" (1918)	23.90 (2.22)	14.31 (1.33)	39.34 (3.65)
FWGD7068	1	17.45 (1.62)	33 1/4" (845)	75 1/2" (1918)	29.19 (2.71)	17.45 (1.62)	45.96 (4.27)
FWGD8068	1	20.60 (1.91)	39 1/4" (997)	75 1/2" (1918)	34.47 (3.20)	20.60 (1.91)	52.59 (4.89)
FWGD91068-4	2	22.60 (2.10)	43 1/16" (1094)	75 1/2" (1918)	37.22 (3.46)	22.60 (2.10)	64.59 (6.00)
FWGD91068-3	1	11.16 (1.04)	21 1/4" (540)	75 1/2" (1918)	41.51 (3.86)	11.16 (1.04)	64.59 (6.00)
FWGD111068-4	2	28.89 (2.68)	55 1/16" (1399)	75 1/2" (1918)	47.80 (4.44)	28.89 (2.68)	77.84 (7.23)
FWGD111068-3	1	14.31 (1.33)	27 1/4" (692)	75 1/2" (1918)	52.08 (4.84)	14.31 (1.33)	77.84 (7.23)
FWGD151068-4	2	41.49 (3.86)	79 1/16" (2008)	75 1/2" (1918)	68.94 (6.40)	41.49 (3.85)	104.34 (9.69)
FWGD50611	1	11.58 (1.08)	21 1/4" (540)	78 7/16" (1992)	19.46 (1.81)	11.58 (1.08)	33.89 (3.15)
FWGD60611	1	14.85 (1.38)	27 1/4" (692)	78 7/16" (1992)	24.98 (2.32)	14.85 (1.38)	40.76 (3.79)
FWGD70611	1	18.12 (1.68)	33 1/4" (845)	78 7/16" (1992)	30.51 (2.83)	18.12 (1.68)	47.62 (4.42)
FWGD80611	1	21.39 (1.99)	39 1/4" (997)	78 7/16" (1992)	36.03 (3.35)	21.39 (1.99)	54.49 (5.06)
FWGD910611-4	2	23.46 (2.18)	43 1/16" (1094)	78 7/16" (1992)	38.91 (3.61)	23.46 (2.18)	66.93 (6.22)
FWGD910611-3	1	11.58 (1.08)	21 1/4" (540)	78 7/16" (1992)	43.39 (4.03)	11.58 (1.08)	66.93 (6.22)
FWGD1110611-4	2	29.99 (2.79)	55 1/16" (1399)	78 7/16" (1992)	49.96 (4.64)	29.99 (2.79)	80.66 (7.49)
FWGD1110611-3	1	14.85 (1.38)	27 1/4" (692)	78 7/16" (1992)	54.44 (5.06)	14.85 (1.38)	80.66 (7.49)
FWGD1510611-4	2	43.07 (4.00)	79 1/16" (2008)	78 7/16" (1992)	72.07 (6.70)	43.07 (4.00)	108.12 (10.04)
FWGD5080	1	13.52 (1.26)	21 1/4" (540)	91 1/2" (2324)	23.31 (2.17)	13.52 (1.26)	39.29 (3.65)
FWGD6080	1	17.33 (1.61)	27 1/4" (692)	91 1/2" (2324)	29.93 (2.78)	17.33 (1.61)	47.25 (4.39)
FWGD7080	1	21.15 (1.96)	33 1/4" (845)	91 1/2" (2324)	36.55 (3.40)	21.15 (1.96)	55.21 (5.13)
FWGD8080	1	24.96 (2.32)	39 1/4" (997)	91 1/2" (2324)	43.17 (4.01)	24.96 (2.32)	63.17 (5.87)
FWGD91080-4	2	27.38 (2.54)	43 1/16" (1094)	91 1/2" (2324)	46.61 (4.33)	27.38 (2.54)	77.59 (7.21)
FWGD91080-3	1	13.52 (1.26)	21 1/4" (540)	91 1/2" (2324)	51.97 (4.83)	13.52 (1.26)	77.59 (7.21)
FWGD111080-4	2	35.01 (3.25)	55 1/16" (1399)	91 1/2" (2324)	59.85 (5.56)	35.01 (3.25)	93.51 (8.69)
FWGD111080-3	1	17.33 (1.61)	27 1/4" (692)	91 1/2" (2324)	65.21 (6.06)	17.33 (1.61)	93.51 (8.69)
FWGD151080-4	2	50.27 (4.67)	79 1/16" (2008)	91 1/2" (2324)	86.33 (8.02)	50.27 (4.67)	125.34 (11.64)
FWGD50100	1	17.04 (1.58)	21 1/4" (540)	115 1/2" (2934)	30.35 (2.71)	17.04 (1.58)	49.17 (4.57)
FWGD60100	1	21.86 (2.03)	27 1/4" (692)	115 1/2" (2934)	38.97 (3.47)	21.86 (2.03)	59.13 (5.49)
FWGD70100	1	26.67 (2.48)	33 1/4" (845)	115 1/2" (2934)	47.59 (4.24)	26.67 (2.48)	69.09 (6.42)
FWGD80100	1	31.48 (2.93)	39 1/4" (997)	115 1/2" (2934)	56.21 (5.01)	31.48 (2.93)	79.04 (7.34)
FWGD910100-4	2	34.54 (3.21)	43 1/16" (1094)	115 1/2" (2934)	60.69 (5.41)	34.54 (3.21)	97.09 (9.02)
FWGD910100-3	1	17.04 (1.58)	21 1/4" (540)	115 1/2" (2934)	67.68 (6.03)	17.04 (1.58)	97.09 (9.02)
FWGD1110100-4	2	44.16 (4.10)	55 1/16" (1399)	115 1/2" (2934)	77.93 (6.95)	44.16 (4.10)	117.01 (10.87)
FWGD1110100-3	1	21.86 (2.03)	27 1/4" (692)	115 1/2" (2934)	84.92 (7.57)	21.86 (2.03)	117.01 (10.87)
FWGD1510100-4	2	63.41 (5.89)	79 1/16" (2008)	115 1/2" (2934)	112.41 (10.02)	63.41 (5.89)	156.84 (14.57)

• Dimensions in parentheses are in millimeters or square meters.

Stationary Frenchwood® Gliding Patio Door Area Specifications

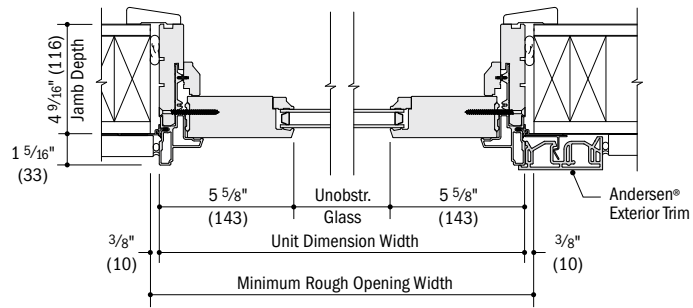
Door Number	Glass Area Sq. Ft./ (m ²)	Overall Door Area Sq. Ft./ (m ²)
FWGD2968S	9.31 (0.86)	17.86 (1.66)
FWGD3368S	11.95 (1.11)	21.17 (1.97)
FWGD3968S	14.59 (1.36)	24.48 (2.27)
FWGD4368S	17.24 (1.60)	27.79 (2.58)
FWGD29611S	9.73 (0.90)	18.50 (1.72)
FWGD33611S	12.49 (1.16)	21.93 (2.04)
FWGD39611S	15.25 (1.42)	25.37 (2.36)
FWGD43611S	18.02 (1.67)	28.80 (2.68)
FWGD2980S	11.65 (1.08)	21.45 (1.99)
FWGD3380S	14.96 (1.39)	21.94 (2.04)
FWGD3980S	18.27 (1.70)	29.41 (2.73)
FWGD4380S	21.58 (2.00)	33.39 (3.10)
FWGD29100S	15.17 (1.41)	26.84 (2.49)
FWGD33100S	19.48 (1.81)	31.82 (2.96)
FWGD39100S	23.79 (2.21)	36.80 (3.42)
FWGD43100S	28.10 (2.61)	41.78 (3.88)

• Dimensions in parentheses are in square meters.

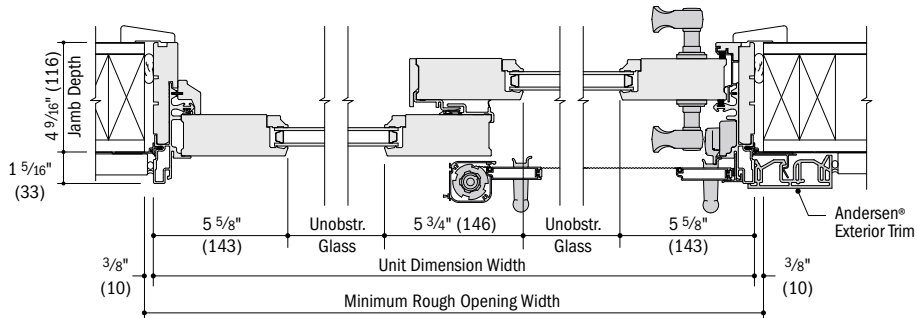
FRENCHWOOD® GLIDING PATIO DOORS

Frenchwood® Gliding Patio Door Details

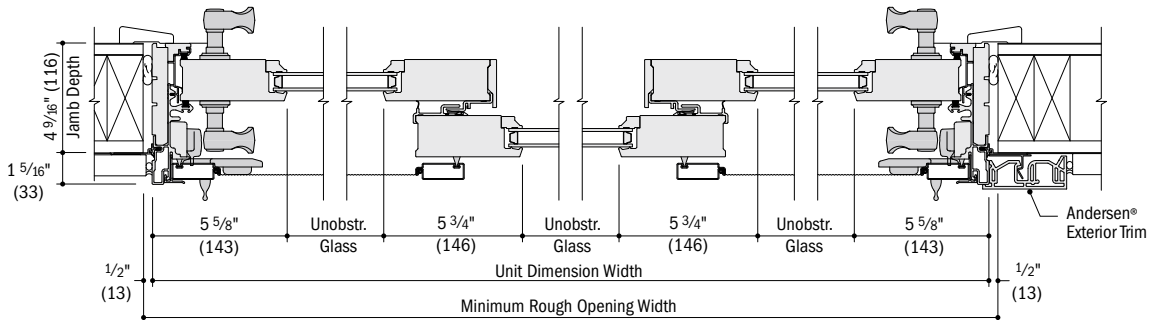
Scale 1 1/2" (38) = 1'-0" (305) – 1:8



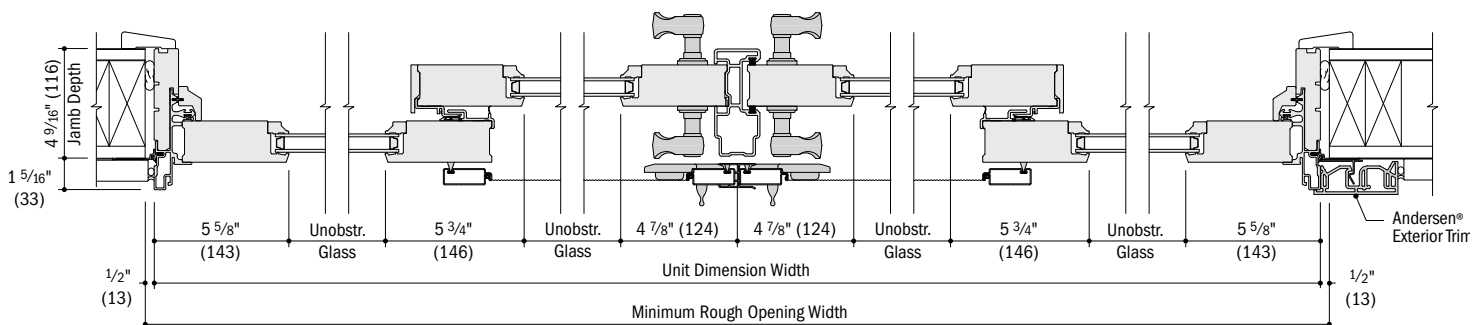
Horizontal Section – Stationary



Horizontal Section – Two-Panel
Retractable Insect Screen



Horizontal Section – Three-Panel
Top-Hung Gliding or Gliding Insect Screen

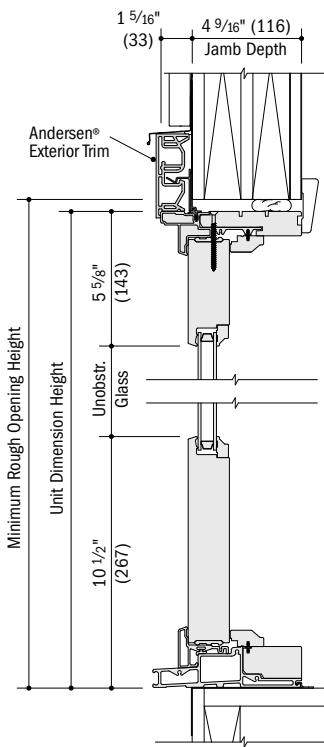


Horizontal Section – Four-Panel
Top-Hung Gliding or Gliding Insect Screen

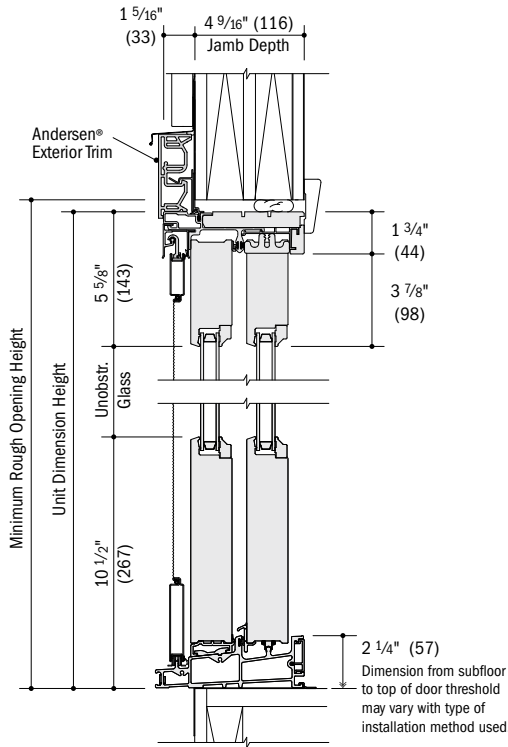
- 4 9/16" (116) jamb depth measurement is from back side of installation flange.
- Light-colored areas are parts included with door. Dark-colored areas are additional Andersen® parts required to complete door assembly as shown.
- Dimensions in parentheses are in millimeters.
- **Rough openings may need to be increased to allow for use of building wraps, flashing, sill panning, brackets, fasteners or other items. See installation information on pages 236-237.**
- Details are for illustration only and are not intended to represent product installation methods or materials. Refer to product installation guides at andersenwindows.com.

Frenchwood® Gliding Patio Door Details

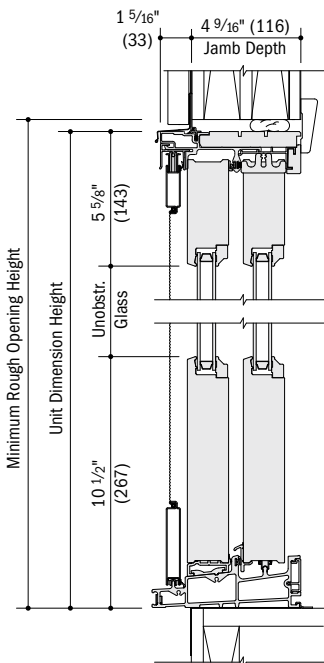
Scale 1 1/2" (38) = 1'-0" (305) – 1:8



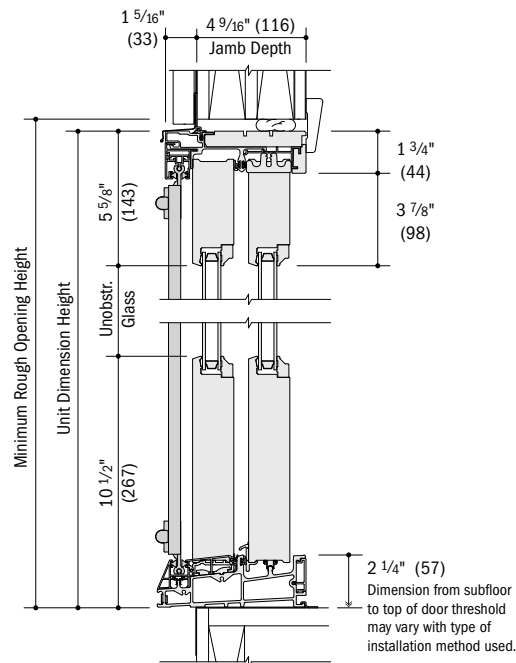
Vertical Section – Stationary



Vertical Section – Operating
Top-Hung Gliding Insect Screen



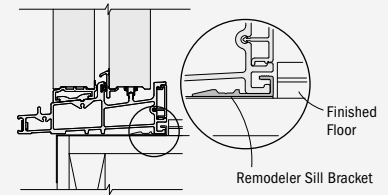
Vertical Section – Operating
Gliding Insect Screen



Vertical Section – Operating
Retractable Insect Screen

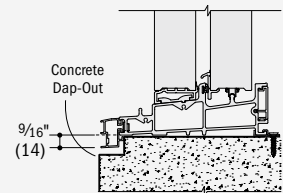
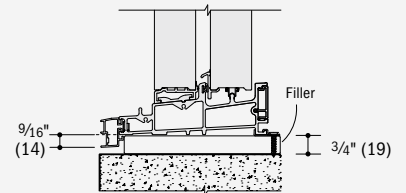
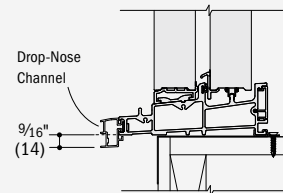
Remodeler Sill Bracket

Optional remodeler sill bracket is available for installations with an existing finished interior floor.



Drop-Nose Channel

Optional drop-nose channel is available when higher product performance is required. Wood and concrete installations shown.



See pages 156-159 for horizontal and vertical joining details.

- 4 9/16" (116) jamb depth measurement is from back side of installation flange.
- Light-colored areas are parts included with door. Dark-colored areas are additional Andersen® parts required to complete door assembly as shown.
- Dimensions in parentheses are in millimeters.
- Rough openings may need to be increased to allow for use of building wraps, flashing, sill panning, brackets, fasteners or other items. See installation information on pages 236-237.
- Details are for illustration only and are not intended to represent product installation methods or materials. Refer to product installation guides at andersenwindows.com.

FRENCHWOOD® HINGED INSWING PATIO DOORS

Table of Frenchwood® Hinged Inswing Patio Door Sizes

Notes on the next page also apply to this page.

Scale 1/8" (3) = 1'-0" (305) – 1:96

Door Dimension	2'-0 1/8" (612)	3'-11 1/4" (1200)	3'-11 1/4" (1200)		2'-6 1/8" (764)	2'-6 1/8" (764)	2'-6 1/8" (764)	4'-11 1/4" (1505)	4'-11 1/4" (1505)	4'-11 1/4" (1505)
Minimum Rough Opening	2'-1" (634)	4'-0" (1219)	4'-0" (1219)		2'-7" (787)	2'-7" (787)	2'-7" (787)	5'-0" (1524)	5'-0" (1524)	5'-0" (1524)
Unobstructed Glass (single panel only)	12 7/8" (327)	12 7/8" (327)	12 7/8" (327)		18 7/8" (479)	18 7/8" (479)	18 7/8" (479)	18 7/8" (479)	18 7/8" (479)	18 7/8" (479)
3 heights										
1 FWHID	2168S*	4068SS	4068APLR/4068PALR		2768S	2768AR	2768AL	5068SS	5068ASR	5068ASL
2 FWHID	21611S*	40611SS	40611APLR/40611PALR		27611S	27611AR	27611AL	50611SS	50611ASR	50611ASL
3 FWHID	2180S*	4080SS	4080APLR/4080PALR		2780S	2780AR	2780AL	5080SS	5080ASR	5080ASL
Door Dimension	2'-8 1/8" (815)	2'-8 1/8" (815)	2'-8 1/8" (815)	5'-3 1/4" (1607)	5'-3 1/4" (1607)	5'-3 1/4" (1607)	5'-3 1/4" (1607)	5'-3 1/4" (1607)	5'-3 1/4" (1607)	
Minimum Rough Opening	2'-9" (838)	2'-9" (838)	2'-9" (838)	5'-4" (1626)	5'-4" (1626)	5'-4" (1626)	5'-4" (1626)	5'-4" (1626)	5'-4" (1626)	
Unobstructed Glass (single panel only)	20 7/8" (530)	20 7/8" (530)	20 7/8" (530)	20 7/8" (530)	20 7/8" (530)	20 7/8" (530)	20 7/8" (530)	20 7/8" (530)	20 7/8" (530)	
3 heights										
1 FWHID	2968S	2968AR	2968AL	5468SS	5468ASR	5468ASL	5468SAR	5468SAL	5468APLR/5468PALR	
2 FWHID	29611S	29611AR	29611AL	54611SS	54611ASR	54611ASL	54611SAR	54611SAL	54611APLR/54611PALR	
3 FWHID	2980S	2980AR	2980AL	5480SS	5480ASR	5480ASL	5480SAR	5480SAL	5480APLR/5480PALR	
Door Dimension	3'-0 1/8" (917)	3'-0 1/8" (917)	3'-0 1/8" (917)	5'-11 1/4" (1810)	5'-11 1/4" (1810)	5'-11 1/4" (1810)	5'-11 1/4" (1810)	5'-11 1/4" (1810)	5'-11 1/4" (1810)	
Minimum Rough Opening	3'-1" (940)	3'-1" (940)	3'-1" (940)	6'-0" (1829)	6'-0" (1829)	6'-0" (1829)	6'-0" (1829)	6'-0" (1829)	6'-0" (1829)	
Unobstructed Glass (single panel only)	24 7/8" (632)	24 7/8" (632)	24 7/8" (632)	24 7/8" (632)	24 7/8" (632)	24 7/8" (632)	24 7/8" (632)	24 7/8" (632)	24 7/8" (632)	
3 heights										
1 FWHID	3168S	3168AR	3168AL	6068SS	6068ASR	6068ASL	6068SAR	6068SAL	6068APLR/6068PALR	
2 FWHID	31611S	31611AR	31611AL	60611SS	60611ASR	60611ASL	60611SAR	60611SAL	60611APLR/60611PALR	
3 FWHID	3180S	3180AR	3180AL	6080SS	6080ASR	6080ASL	6080SAR	6080SAL	6080APLR/6080PALR	
Door Dimension	3'-2 1/8" (968)	3'-2 1/8" (968)	3'-2 1/8" (968)	6'-3 1/4" (1911)	6'-3 1/4" (1911)	6'-3 1/4" (1911)	6'-3 1/4" (1911)	6'-3 1/4" (1911)	6'-3 1/4" (1911)	
Minimum Rough Opening	3'-3" (991)	3'-3" (991)	3'-3" (991)	6'-4" (1930)	6'-4" (1930)	6'-4" (1930)	6'-4" (1930)	6'-4" (1930)	6'-4" (1930)	
Unobstructed Glass (single panel only)	26 7/8" (683)	26 7/8" (683)	26 7/8" (683)	26 7/8" (683)	26 7/8" (683)	26 7/8" (683)	26 7/8" (683)	26 7/8" (683)	26 7/8" (683)	
3 heights										
1 FWHID	3368S	3368AR	3368AL	6468SS	6468ASR	6468ASL	6468SAR	6468SAL	6468APLR/6468PALR	
2 FWHID	33611S	33611AR	33611AL	64611SS	64611ASR	64611ASL	64611SAR	64611SAL	64611APLR/64611PALR	
3 FWHID	3380S	3380AR	3380AL	6480SS	6480ASR	6480ASL	6480SAR	6480SAL	6480APLR/6480PALR	

* "Door Dimension" always refers to outside frame to frame dimension.

* "Minimum Rough Opening" dimensions may need to be increased to allow for use of building wraps, flashing, sill panning, brackets, fasteners or other items. See installation information on pages 236-237.

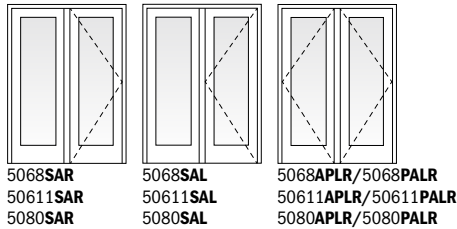
* Dimensions in parentheses are in millimeters.

* Active left- and right-hinged patio doors also available. Contact your Andersen supplier for more information.

continued on pages 136-137

Inswing patio door sizes on pages 134-137.

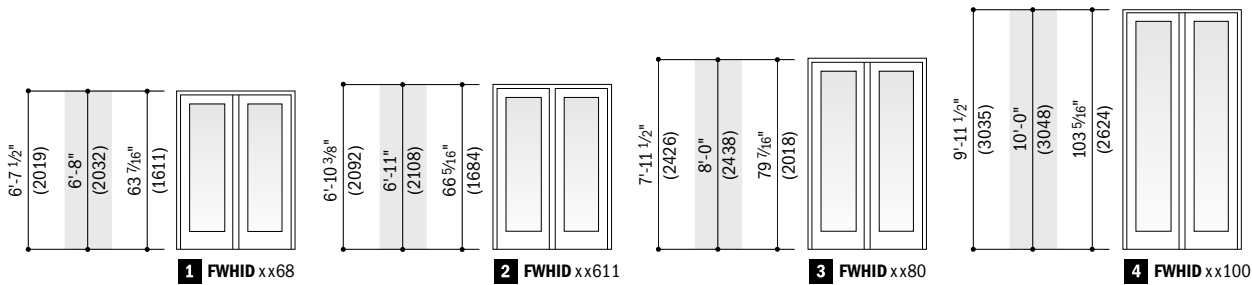
4'-11 1/4" (1505)	4'-11 1/4" (1505)	4'-11 1/4" (1505)
5'-0" (1524)	5'-0" (1524)	5'-0" (1524)
18 7/8" (479)	18 7/8" (479)	18 7/8" (479)



Custom-size doors are available in 1/8" (3) increments. See pages 160-162 for custom sizes, specifications and information on shipping patio doors greater than 8' (2438).

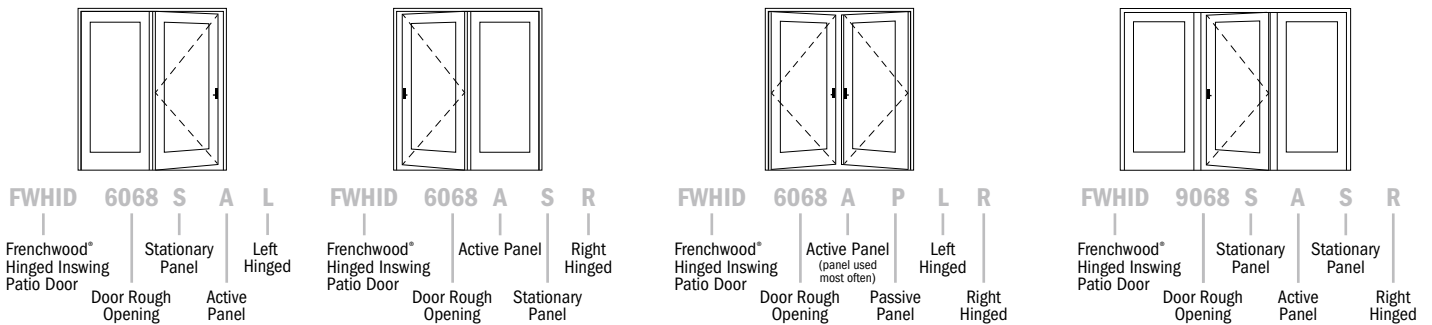
Inswing doors are available in both 4 9/16" (116) and 6 9/16" (167) jamb depths. Stationary (S) patio doors can be used as an individual patio door or as a sidelight. Grille patterns shown on page 146.

Four Patio Door Heights



Order Designation Description

Viewed from the exterior.



- "Door Dimension" always refers to outside frame to frame dimension.
- "Minimum Rough Opening" dimensions may need to be increased to allow for use of building wraps, flashing, sill panning, brackets, fasteners or other items. See installation information on pages 236-237.
- Dimensions in parentheses are in millimeters.

FRENCHWOOD® HINGED INSWING PATIO DOORS

Table of Frenchwood® Hinged Inswing Patio Door Sizes (continued)

Scale 1/8" (3) = 1'-0" (305) – 1:96

Door Dimension	7'-10 7/16" (2398)	7'-10 7/16" (2398)	7'-10 7/16" (2398)	7'-10 7/16" (2398)	7'-10 7/16" (2398)	7'-10 7/16" (2398)
Minimum Rough Opening	7'-11" (2413)	7'-11" (2413)	7'-11" (2413)	7'-11" (2413)	7'-11" (2413)	7'-11" (2413)
Unobstructed Glass (single panel only)	20 7/8" (530)	20 7/8" (530)	20 7/8" (530)	20 7/8" (530)	20 7/8" (530)	20 7/8" (530)
3 heights						
1 FWHID	71168SSS-3	71168ASSR-3	71168ASSL-3	71168SASR-3	71168SASL-3	71168SSAR-3
2 FWHID	711611SSS-3	711611ASSR-3	711611ASSL-3	711611SASR-3	711611SASL-3	711611SSAR-3
3 FWHID	71180SSS-3	71180ASSR-3	71180SASSL-3	71180SASR-3	71180SASL-3	71180SSAR-3
Door Dimension	8'-10 7/16" (2703)	8'-10 7/16" (2703)	8'-10 7/16" (2703)	8'-10 7/16" (2703)	8'-10 7/16" (2703)	8'-10 7/16" (2703)
Minimum Rough Opening	8'-11" (2717)	8'-11" (2717)	8'-11" (2717)	8'-11" (2717)	8'-11" (2717)	8'-11" (2717)
Unobstructed Glass (single panel only)	24 7/8" (632)	24 7/8" (632)	24 7/8" (632)	24 7/8" (632)	24 7/8" (632)	24 7/8" (632)
3 heights						
1 FWHID	81168SSS-3	81168ASSR-3	81168ASSL-3	81168SASR-3	81168SASL-3	81168SSAR-3
2 FWHID	811611SSS-3	811611ASSR-3	811611ASSL-3	811611SASR-3	811611SASL-3	811611SSAR-3
3 FWHID	81180SSS-3	81180ASSR-3	81180SASSL-3	81180SASR-3	81180SASL-3	81180SSAR-3
Door Dimension	9'-4 7/16" (2856)	9'-4 7/16" (2856)	9'-4 7/16" (2856)	9'-4 7/16" (2856)	9'-4 7/16" (2856)	9'-4 7/16" (2856)
Minimum Rough Opening	9'-5" (2870)	9'-5" (2870)	9'-5" (2870)	9'-5" (2870)	9'-5" (2870)	9'-5" (2870)
Unobstructed Glass (single panel only)	26 7/8" (683)	26 7/8" (683)	26 7/8" (683)	26 7/8" (683)	26 7/8" (683)	26 7/8" (683)
3 heights						
1 FWHID	9668SSS-3	9668ASSR-3	9668ASSL-3	9668SASR-3	9668SASL-3	9668SSAR-3
2 FWHID	96611SSS-3	96611ASSR-3	96611ASSL-3	96611SASR-3	96611SASL-3	96611SSAR-3
3 FWHID	9680SSS-3	9680ASSR-3	9680ASSL-3	9680SASR-3	9680SASL-3	9680SSAR-3



Custom-size doors are available in 1/8" (3) increments.

See pages 160-162 for custom sizes, specifications and information on shipping patio doors greater than 8' (2438).

Inswing patio doors are available in both 4 9/16" (116) and 6 9/16" (167) jamb depths.

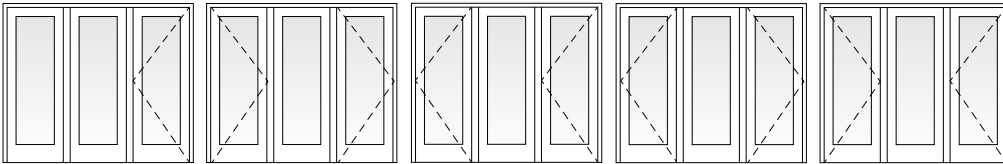
Stationary (S) patio doors can be used as an individual patio door or as a sidelight.

Details shown on pages 140-143. Grille patterns shown on page 146.

- "Door Dimension" always refers to outside frame to frame dimension.
- "Minimum Rough Opening" dimensions may need to be increased to allow for use of building wraps, flashing, sill panning, brackets, fasteners or other items. See installation information on pages 236-237.
- Dimensions in parentheses are in millimeters.

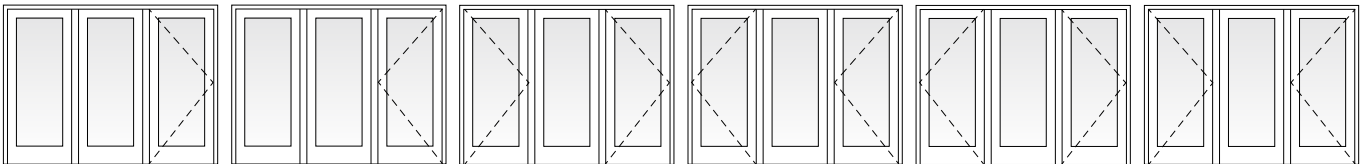
Inswing patio door sizes on pages 134-137.

7'-10 7/16" (2398)	7'-10 7/16" (2398)	7'-10 7/16" (2398)	7'-10 7/16" (2398)	7'-10 7/16" (2398)
7'-11" (2413)	7'-11" (2413)	7'-11" (2413)	7'-11" (2413)	7'-11" (2413)
20 7/8" (530)	20 7/8" (530)	20 7/8" (530)	20 7/8" (530)	20 7/8" (530)



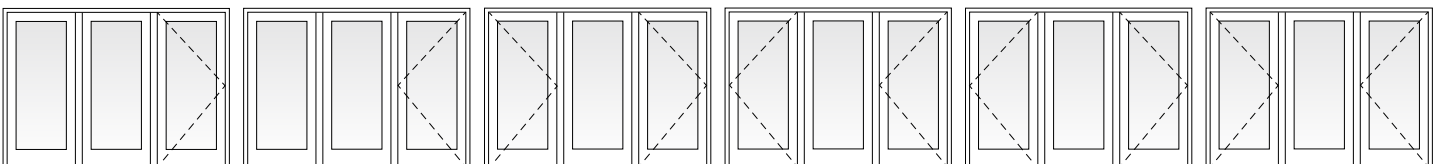
71168SSAL-3 71168ASARR-3 71168ASALL-3 71168ASALR-3 71168ASARL-3
 711611SSAL-3 711611ASARR-3 711611ASALL-3 711611ASALR-3 711611ASARL-3
 71180SSAL-3 71180ASARR-3 71180ASALL-3 71180ASALR-3 71180ASARL-3

8'-10 7/16" (2703)	8'-10 7/16" (2703)	8'-10 7/16" (2703)	8'-10 7/16" (2703)	8'-10 7/16" (2703)	8'-10 7/16" (2703)
8'-11" (2717)	8'-11" (2717)	8'-11" (2717)	8'-11" (2717)	8'-11" (2717)	8'-11" (2717)
24 7/8" (632)	24 7/8" (632)	24 7/8" (632)	24 7/8" (632)	24 7/8" (632)	24 7/8" (632)



81168SSAR-3 81168SSAL-3 81168ASARR-3 81168ASALL-3 81168ASALR-3 81168ASARL-3
 811611SSAR-3 811611SSAL-3 811611ASARR-3 811611ASALL-3 811611ASALR-3 811611ASARL-3
 81180SSAR-3 81180SSAL-3 81180ASARR-3 81180ASALL-3 81180ASALR-3 81180ASARL-3

9'-4 7/16" (2856)	9'-4 7/16" (2856)	9'-4 7/16" (2856)	9'-4 7/16" (2856)	9'-4 7/16" (2856)	9'-4 7/16" (2856)
9'-5" (2870)	9'-5" (2870)	9'-5" (2870)	9'-5" (2870)	9'-5" (2870)	9'-5" (2870)
26 7/8" (683)	26 7/8" (683)	26 7/8" (683)	26 7/8" (683)	26 7/8" (683)	26 7/8" (683)



9668SSAR-3 9668SSAL-3 9668ASARR-3 9668ASALL-3 9668ASALR-3 9668ASARL-3
 96611SSAR-3 96611SSAL-3 96611ASARR-3 96611ASALL-3 96611ASALR-3 96611ASARL-3
 9680SSAR-3 9680SSAL-3 9680ASARR-3 9680ASALL-3 9680ASALR-3 9680ASARL-3

A-Series
Frenchwood® Hinged
Inswing Patio Doors



Custom-size doors are available in 1/8" (3) increments.

See pages 160-162 for custom sizes, specifications and information on shipping patio doors greater than 8' (2438).

Inswing patio doors are available in both 4 9/16" (116) and 6 9/16" (167) jamb depths.

Stationary (S) patio doors can be used as an individual patio door or as a sidelight.

Grille patterns shown on page 146.

- "Door Dimension" always refers to outside frame to frame dimension.
- "Minimum Rough Opening" dimensions may need to be increased to allow for use of building wraps, flashing, sill panning, brackets, fasteners or other items. See installation information on pages 236-237.
- Dimensions in parentheses are in millimeters.

FRENCHWOOD® HINGED INSWING PATIO DOORS

Frenchwood® Hinged Inswing Patio Door Opening and Area Specifications

Door Number	Number of Panels in Open Position*	Clear Opening Area Sq. Ft./ (m ²)	Clear Opening Maximums			Glass Area Sq. Ft./ (m ²)	Vent Area Sq. Ft./ (m ²)	Overall Door Area Sq. Ft./ (m ²)
			90° Width Inches/(mm)	Full Width Inches/(mm)	Height Inches/(mm)			
FWHID2168S**	1	10.43 (0.97)	18 5/16" (465)	20" (508)	75 1/2" (1918)	5.67 (0.53)	10.43 (0.97)	13.30 (1.24)
FWHID2768	1	13.57 (1.26)	24 5/16" (618)	26" (660)	75 1/2" (1918)	8.31 (0.77)	13.57 (1.26)	16.61 (1.54)
FWHID2968	1	14.62 (1.36)	26 5/16" (668)	28" (711)	75 1/2" (1918)	9.20 (0.85)	14.62 (1.36)	17.72 (1.65)
FWHID3168	1	16.71 (1.55)	30 5/16" (770)	32" (813)	75 1/2" (1918)	10.96 (1.02)	16.71 (1.55)	19.93 (1.85)
FWHID3368	1	17.75 (1.65)	32 5/16" (821)	34" (864)	75 1/2" (1918)	11.84 (1.10)	17.75 (1.65)	21.03 (1.95)
FWHID4068	2	22.54 (2.09)	18 5/16" (465)	43 1/8" (1095)	75 1/2" (1918)	11.34 (1.05)	22.54 (2.09)	26.09 (2.42)
FWHID4068	1	10.43 (0.97)	18 5/16" (465)	20" (508)	75 1/2" (1918)	11.34 (1.05)	10.43 (0.97)	26.09 (2.42)
FWHID5068	1 AS/SA	13.57 (1.26)	24 5/16" (618)	26" (660)	75 1/2" (1918)	16.63 (1.54)	13.57 (1.26)	32.71 (3.04)
FWHID5068	2 AP/PA	28.81 (2.68)	24 5/16" (618)	55 1/8" (1400)	75 1/2" (1918)	16.63 (1.54)	28.81 (2.68)	32.71 (3.04)
FWHID5068	1 AP/PA	13.57 (1.26)	24 5/16" (618)	26" (660)	75 1/2" (1918)	16.63 (1.54)	13.57 (1.26)	32.71 (3.04)
FWHID5468	1 AS/SA	14.62 (1.36)	26 5/16" (668)	28" (711)	75 1/2" (1918)	18.39 (1.71)	14.62 (1.36)	34.92 (3.24)
FWHID5468	2 AP/PA	30.90 (2.87)	26 5/16" (668)	59 1/8" (1502)	75 1/2" (1918)	18.39 (1.71)	30.90 (2.87)	34.92 (3.24)
FWHID5468	1 AP/PA	14.61 (1.36)	26 5/16" (668)	28" (711)	75 1/2" (1918)	18.39 (1.71)	14.61 (1.36)	34.92 (3.24)
FWHID6068	1 AS/SA	16.71 (1.55)	30 5/16" (770)	32" (813)	75 1/2" (1918)	21.92 (2.04)	16.71 (1.55)	39.34 (3.65)
FWHID6068	2 AP/PA	35.08 (3.26)	30 5/16" (770)	67 1/8" (1705)	75 1/2" (1918)	21.92 (2.04)	35.08 (3.26)	39.34 (3.65)
FWHID6068	1 AP/PA	16.71 (1.55)	30 5/16" (770)	32" (813)	75 1/2" (1918)	21.92 (2.04)	16.71 (1.55)	39.34 (3.65)
FWHID6468	1 AS/SA	17.75 (1.65)	32 5/16" (821)	34" (864)	75 1/2" (1918)	23.68 (2.20)	17.75 (1.65)	41.54 (3.86)
FWHID6468	2 AP/PA	37.17 (3.45)	32 5/16" (821)	71 1/8" (1806)	75 1/2" (1918)	23.68 (2.20)	37.17 (3.45)	41.54 (3.86)
FWHID6468	1 AP/PA	17.75 (1.65)	32 5/16" (821)	34" (864)	75 1/2" (1918)	23.68 (2.20)	17.75 (1.65)	41.54 (3.86)
FWHID71168-3	1 ASS/SAS/SSA/ASA	14.62 (1.36)	26 5/16" (668)	28" (711)	75 1/2" (1918)	27.95 (2.60)	14.62 (1.36)	52.12 (4.84)
FWHID71168-3	2 ASA	14.62 (1.36)	26 5/16" (668)	28" (711)	75 1/2" (1918)	27.95 (2.60)	29.24 (2.72)	52.12 (4.84)
FWHID81168-3	1 ASS/SAS/SSA/ASA	16.71 (1.55)	30 5/16" (770)	32" (813)	75 1/2" (1918)	32.87 (3.05)	16.71 (1.55)	58.74 (5.46)
FWHID81168-3	2 ASA	16.71 (1.55)	30 5/16" (770)	32" (813)	75 1/2" (1918)	32.87 (3.05)	33.42 (3.10)	58.74 (5.46)
FWHID9668-3	1 ASS/SAS/SSA/ASA	17.75 (1.65)	32 5/16" (821)	34" (864)	75 1/2" (1918)	35.52 (3.30)	17.75 (1.65)	62.06 (5.77)
FWHID9668-3	2 ASA	17.75 (1.65)	32 5/16" (821)	34" (864)	75 1/2" (1918)	35.52 (3.30)	35.50 (3.30)	62.06 (5.77)
FWHID21611S**	1	10.83 (1.01)	18 5/16" (465)	20" (508)	78 1/8" (1984)	5.93 (0.55)	10.83 (1.01)	13.78 (1.28)
FWHID27611	1	14.09 (1.31)	24 5/16" (618)	26" (660)	78 1/8" (1984)	8.69 (0.81)	14.09 (1.31)	17.22 (1.60)
FWHID29611	1	15.17 (1.41)	26 5/16" (668)	28" (711)	78 1/8" (1984)	9.61 (0.89)	15.17 (1.41)	18.36 (1.71)
FWHID31611	1	17.34 (1.61)	30 5/16" (770)	32" (813)	78 1/8" (1984)	11.45 (1.06)	17.34 (1.61)	20.65 (1.92)
FWHID33611	1	18.43 (1.71)	32 5/16" (821)	34" (864)	78 1/8" (1984)	12.38 (1.15)	18.43 (1.71)	21.79 (2.02)
FWHID40611	2	23.40 (2.17)	18 5/16" (465)	43 1/8" (1095)	78 1/8" (1984)	11.86 (1.10)	23.40 (2.17)	27.03 (2.51)
FWHID40611	1	10.83 (1.01)	18 5/16" (465)	20" (508)	78 1/8" (1984)	11.86 (1.10)	10.83 (1.01)	27.03 (2.51)
FWHID50611	1 AS/SA	14.09 (1.31)	24 5/16" (618)	26" (660)	78 1/8" (1984)	17.38 (1.61)	14.09 (1.31)	33.89 (3.15)
FWHID50611	2 AP/PA	29.91 (2.78)	24 5/16" (618)	55 1/8" (1400)	78 1/8" (1984)	17.38 (1.61)	29.91 (2.78)	33.89 (3.15)
FWHID50611	1 AP/PA	14.09 (1.31)	24 5/16" (618)	26" (660)	78 1/8" (1984)	17.38 (1.61)	14.09 (1.31)	33.89 (3.15)
FWHID54611	1 AS/SA	15.17 (1.41)	26 5/16" (668)	28" (711)	78 1/8" (1984)	19.22 (1.79)	15.17 (1.41)	36.18 (3.36)
FWHID54611	2 AP/PA	32.08 (2.98)	26 5/16" (668)	59 1/8" (1502)	78 1/8" (1984)	19.22 (1.79)	32.08 (2.98)	36.18 (3.36)
FWHID54611	1 AP/PA	15.17 (1.41)	26 5/16" (668)	28" (711)	78 1/8" (1984)	19.22 (1.79)	15.17 (1.41)	36.18 (3.36)
FWHID60611	1 AS/SA	17.34 (1.61)	30 5/16" (770)	32" (813)	78 1/8" (1984)	22.91 (2.13)	17.34 (1.61)	40.76 (3.79)
FWHID60611	2 AP/PA	36.42 (3.38)	30 5/16" (770)	67 1/8" (1705)	78 1/8" (1984)	22.91 (2.13)	36.42 (3.38)	40.76 (3.79)
FWHID60611	1 AP/PA	17.34 (1.61)	30 5/16" (770)	32" (813)	78 1/8" (1984)	22.91 (2.13)	17.34 (1.61)	40.76 (3.79)
FWHID64611	1 AS/SA	18.43 (1.71)	32 5/16" (821)	34" (864)	78 1/8" (1984)	24.75 (2.30)	18.43 (1.71)	43.05 (4.00)
FWHID64611	2 AP/PA	38.59 (3.59)	32 5/16" (821)	71 1/8" (1806)	78 1/8" (1984)	24.75 (2.30)	38.59 (3.59)	43.05 (4.00)
FWHID64611	1 AP/PA	18.43 (1.71)	32 5/16" (821)	34" (864)	78 1/8" (1984)	24.75 (2.30)	18.43 (1.71)	43.05 (4.00)
FWHID711611-3	1 ASS/SAS/SSA/ASA	15.17 (1.41)	26 5/16" (668)	28" (711)	78 1/8" (1984)	28.84 (2.68)	15.17 (1.41)	54.00 (5.02)
FWHID711611-3	2 ASA	15.17 (1.41)	26 5/16" (668)	28" (711)	78 1/8" (1984)	28.84 (2.68)	30.34 (2.82)	54.00 (5.02)
FWHID811611-3	1 ASS/SAS/SSA/ASA	17.34 (1.61)	30 5/16" (770)	32" (813)	78 1/8" (1984)	34.36 (3.19)	17.34 (1.61)	60.87 (5.65)
FWHID811611-3	2 ASA	17.34 (1.61)	30 5/16" (770)	32" (813)	78 1/8" (1984)	34.36 (3.19)	34.68 (3.22)	60.87 (5.65)
FWHID96611-3	1 ASS/SAS/SSA/ASA	18.43 (1.71)	32 5/16" (821)	34" (864)	78 1/8" (1984)	37.14 (3.45)	18.43 (1.71)	64.30 (5.97)
FWHID96611-3	2 ASA	18.43 (1.71)	32 5/16" (821)	34" (864)	78 1/8" (1984)	37.14 (3.45)	36.86 (3.42)	64.30 (5.97)
FWHID2180S**	1	12.65 (1.18)	18 5/16" (465)	20" (508)	91 1/2" (2324)	7.10 (0.66)	12.65 (1.18)	15.98 (1.48)
FWHID2780	1	16.46 (1.53)	24 5/16" (618)	26" (660)	91 1/2" (2324)	10.41 (0.97)	16.46 (1.53)	19.96 (1.85)
FWHID2980	1	17.72 (1.65)	26 5/16" (668)	28" (711)	91 1/2" (2324)	11.52 (1.07)	17.72 (1.65)	21.28 (1.98)
FWHID3180	1	20.26 (1.88)	30 5/16" (770)	32" (813)	91 1/2" (2324)	13.72 (1.27)	20.26 (1.88)	23.94 (2.22)
FWHID3380	1	21.53 (2.00)	32 5/16" (821)	34" (864)	91 1/2" (2324)	14.82 (1.38)	21.53 (2.00)	25.26 (2.35)
FWHID4080	2	27.33 (2.54)	18 5/16" (465)	43 1/8" (1095)	91 1/2" (2324)	14.20 (1.32)	27.33 (2.54)	31.34 (2.91)
FWHID4080	1	12.65 (1.18)	18 5/16" (465)	20" (508)	91 1/2" (2324)	14.20 (1.32)	12.65 (1.18)	31.34 (2.91)
FWHID5080	1 AS/SA	16.46 (1.53)	24 5/16" (618)	26" (660)	91 1/2" (1984)	20.82 (1.93)	16.46 (1.53)	39.29 (3.65)
FWHID5080	2 AP/PA	34.93 (3.25)	24 5/16" (618)	55 1/8" (1400)	91 1/2" (2324)	20.82 (1.93)	34.93 (3.24)	39.29 (3.65)

* Dimensions in parentheses are in millimeters or square meters.

** For two-panel AP/PA doors with only one panel open, clear opening is based on the active panel open and the passive panel closed.

*** Active left- and right-hinged patio doors also available. Contact your Andersen supplier for more information.

continued on next page

Frenchwood® Hinged Inswing Patio Door Opening and Area Specifications (continued)

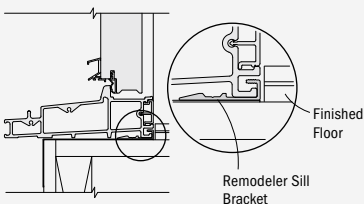
Door Number	Number of Panels in Open Position*	Clear Opening Area Sq. Ft./ (m ²)	Clear Opening Maximums			Glass Area Sq. Ft./ (m ²)	Vent Area Sq. Ft./ (m ²)	Overall Door Area Sq. Ft./ (m ²)
			90° Width Inches/(mm)	Full Width Inches/(mm)	Height Inches/(mm)			
FWHID5080	1 AP/PA	16.45 (1.53)	24 5/16" (618)	26" (660)	91 1/2" (2324)	20.82 (1.93)	16.45 (1.53)	39.29 (3.65)
FWHID5480	1 AS/SA	17.72 (1.65)	26 5/16" (668)	28" (711)	91 1/2" (2324)	23.03 (2.14)	17.72 (1.65)	41.95 (3.90)
FWHID5480	2 AP/PA	37.47 (3.48)	26 5/16" (668)	59 1/8" (1502)	91 1/2" (2324)	23.03 (2.14)	37.47 (3.48)	41.95 (3.90)
FWHID5480	1 AP/PA	17.72 (1.65)	26 5/16" (668)	28" (711)	91 1/2" (2324)	23.03 (2.14)	17.72 (1.65)	41.95 (3.90)
FWHID6080	1 AS/SA	20.26 (1.88)	30 5/16" (770)	32" (813)	91 1/2" (2324)	27.44 (2.55)	20.26 (1.88)	47.25 (4.39)
FWHID6080	2 AP/PA	42.54 (3.95)	30 5/16" (770)	67 1/8" (1705)	91 1/2" (2324)	27.44 (2.55)	42.54 (3.95)	47.25 (4.39)
FWHID6080	1 AP/PA	20.26 (1.88)	30 5/16" (770)	32" (813)	91 1/2" (2324)	27.44 (2.55)	20.26 (1.88)	47.25 (4.39)
FWHID6480	1 AS/SA	21.53 (2.00)	32 5/16" (821)	34" (864)	91 1/2" (2324)	29.65 (2.75)	21.53 (2.00)	49.91 (4.64)
FWHID6480	2 AP/PA	45.07 (4.19)	32 5/16" (821)	71 1/8" (1806)	91 1/2" (2324)	29.65 (2.75)	45.07 (4.19)	49.91 (4.64)
FWHID6480	1 AP/PA	21.52 (2.00)	32 5/16" (821)	34" (864)	91 1/2" (2324)	29.65 (2.75)	21.52 (2.00)	49.91 (4.64)
FWHID71180-3	1 ASS/SAS/SSA/ASA	17.72 (1.65)	26 5/16" (668)	28" (711)	91 1/2" (2324)	34.55 (3.21)	17.72 (1.65)	62.61 (5.82)
FWHID71180-3	2 ASA	17.72 (1.65)	26 5/16" (668)	28" (711)	91 1/2" (2324)	34.55 (3.21)	35.44 (3.30)	62.61 (5.82)
FWHID81180-3	1 ASS/SAS/SSA/ASA	20.26 (1.88)	30 5/16" (770)	32" (813)	91 1/2" (2324)	41.16 (3.82)	20.26 (1.88)	70.57 (6.56)
FWHID81180-3	2 ASA	20.26 (1.88)	30 5/16" (770)	32" (813)	91 1/2" (2324)	41.16 (3.82)	40.52 (3.76)	70.57 (6.56)
FWHID9680-3	1 ASS/SAS/SSA/ASA	21.53 (2.00)	32 5/16" (821)	34" (864)	91 1/2" (2324)	44.46 (4.13)	21.53 (2.00)	74.55 (6.93)
FWHID9680-3	2 ASA	21.53 (2.00)	32 5/16" (821)	34" (864)	91 1/2" (2324)	44.46 (4.13)	43.06 (4.00)	74.55 (6.93)
FWHID27100	1	20.85 (1.94)	24 5/16" (618)	26" (660)	115 1/2" (2934)	13.56 (1.26)	20.85 (1.94)	24.97 (2.32)
FWHID29100	1	22.46 (2.09)	26 5/16" (668)	28" (711)	115 1/2" (2934)	14.99 (1.39)	22.46 (2.09)	26.63 (2.47)
FWHID31100	1	25.67 (2.39)	30 5/16" (770)	32" (813)	115 1/2" (2934)	17.87 (1.66)	25.67 (2.39)	29.95 (2.78)
FWHID33100	1	27.27 (2.53)	32 5/16" (821)	34" (864)	115 1/2" (2934)	19.30 (1.79)	27.27 (2.53)	31.61 (2.94)
FWHID40100	2	34.59 (3.21)	18 5/16" (465)	43 1/8" (1095)	115 1/2" (2934)	18.50 (1.72)	34.59 (3.21)	39.21 (3.64)
FWHID40100	1	16.04 (1.49)	18 5/16" (465)	20" (508)	115 1/2" (2934)	18.50 (1.72)	16.04 (1.49)	39.21 (3.64)
FWHID50100	1 AS/SA	20.85 (1.94)	24 5/16" (618)	26" (660)	115 1/2" (2934)	27.11 (2.52)	20.85 (1.94)	49.17 (4.57)
FWHID50100	2 AP/PA	44.21 (4.11)	24 5/16" (618)	55 1/8" (1400)	115 1/2" (2934)	27.11 (2.52)	44.21 (4.11)	49.17 (4.57)
FWHID50100	1 AP/PA	20.85 (1.94)	24 5/16" (618)	26" (660)	115 1/2" (2934)	27.11 (2.52)	20.85 (1.94)	49.17 (4.57)
FWHID54100	1 AS/SA	22.46 (2.09)	26 5/16" (668)	28" (711)	115 1/2" (2934)	29.99 (2.79)	22.46 (2.09)	52.49 (4.88)
FWHID54100	2 AP/PA	47.42 (4.41)	26 5/16" (668)	59 1/8" (1502)	115 1/2" (2934)	29.99 (2.79)	47.42 (4.41)	52.49 (4.88)
FWHID54100	1 AP/PA	22.46 (2.09)	26 5/16" (668)	28" (711)	115 1/2" (2934)	29.99 (2.79)	22.46 (2.09)	52.49 (4.88)
FWHID60100	1 AS/SA	25.67 (2.39)	30 5/16" (770)	32" (813)	115 1/2" (2934)	35.73 (3.32)	25.67 (2.39)	59.13 (5.49)
FWHID60100	2 AP/PA	53.84 (5.00)	30 5/16" (770)	67 1/8" (1705)	115 1/2" (2934)	35.73 (3.32)	53.84 (5.00)	59.13 (5.49)
FWHID60100	1 AP/PA	25.67 (2.39)	30 5/16" (770)	32" (813)	115 1/2" (2934)	35.73 (3.32)	25.67 (2.39)	59.13 (5.49)
FWHID64100	1 AS/SA	27.27 (2.53)	32 5/16" (821)	34" (864)	115 1/2" (2934)	38.61 (3.59)	27.27 (2.53)	62.45 (5.80)
FWHID64100	2 AP/PA	57.05 (5.30)	32 5/16" (821)	71 1/8" (1806)	115 1/2" (2934)	38.61 (3.59)	57.05 (5.30)	62.45 (5.80)
FWHID64100	1 AP/PA	27.27 (2.53)	32 5/16" (821)	34" (864)	115 1/2" (2934)	38.61 (3.59)	27.27 (2.53)	62.45 (5.80)
FWHID711100-3	1 ASS/SAS/SSA/ASA	22.46 (2.09)	26 5/16" (668)	28" (711)	115 1/2" (2934)	44.98 (4.18)	22.46 (2.09)	78.34 (7.28)
FWHID711100-3	2 ASA	22.46 (2.09)	26 5/16" (668)	28" (711)	115 1/2" (2934)	44.98 (4.18)	44.92 (4.17)	78.34 (7.28)
FWHID811100-3	1 ASS/SAS/SSA/ASA	25.67 (2.39)	30 5/16" (770)	32" (813)	115 1/2" (2934)	53.60 (4.98)	25.67 (2.39)	88.30 (8.20)
FWHID811100-3	2 ASA	25.67 (2.39)	30 5/16" (770)	32" (813)	115 1/2" (2934)	53.60 (4.98)	51.33 (4.77)	88.30 (8.20)
FWHID96100-3	1 ASS/SAS/SSA/ASA	27.27 (2.53)	32 5/16" (821)	34" (864)	115 1/2" (2934)	57.91 (5.38)	27.27 (2.53)	93.28 (8.67)
FWHID96100-3	2 ASA	27.27 (2.53)	32 5/16" (821)	34" (864)	115 1/2" (2934)	57.91 (5.38)	54.54 (5.07)	93.28 (8.67)

* Dimensions in parentheses are in millimeters or square meters.
* For two-panel AP/PA doors with only one panel open, clear opening is based on the active panel open and the passive panel closed.

A-Series Frenchwood® Hinged Inswing Patio Doors

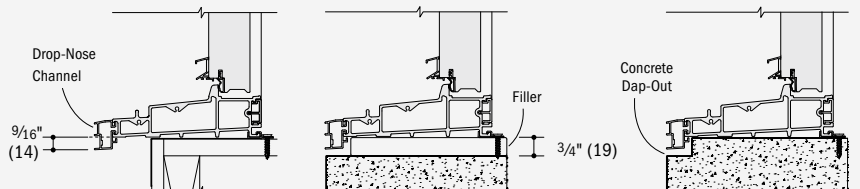
Remodeler Sill Bracket

Optional remodeler sill bracket is available for installations with an existing finished interior floor.



Drop-Nose Channel

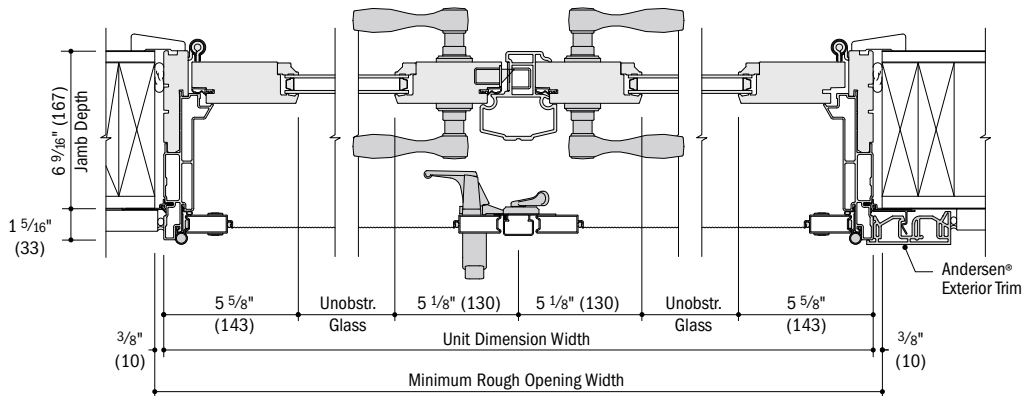
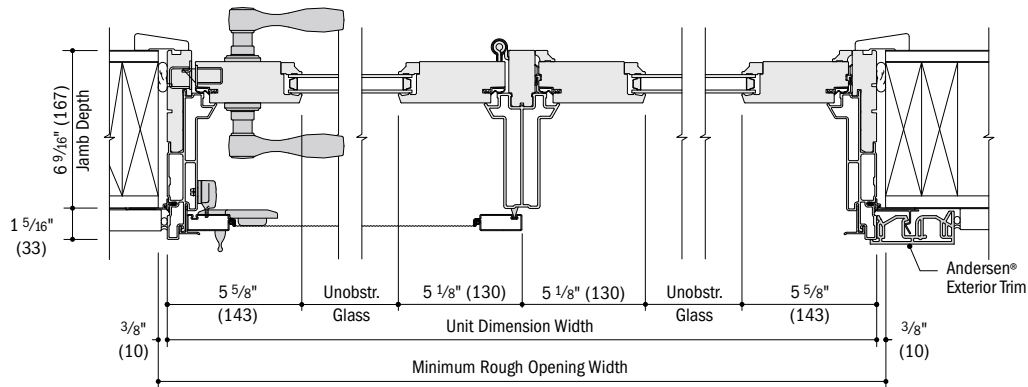
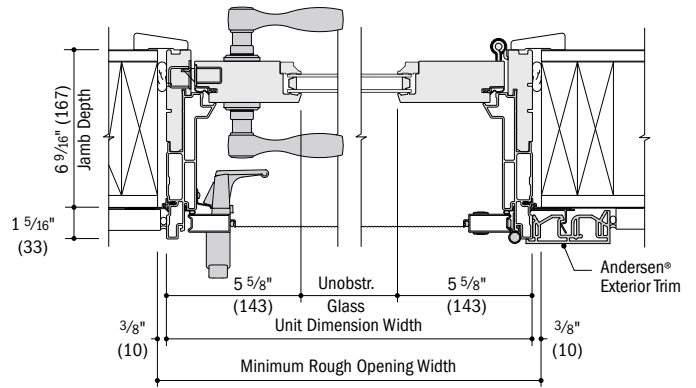
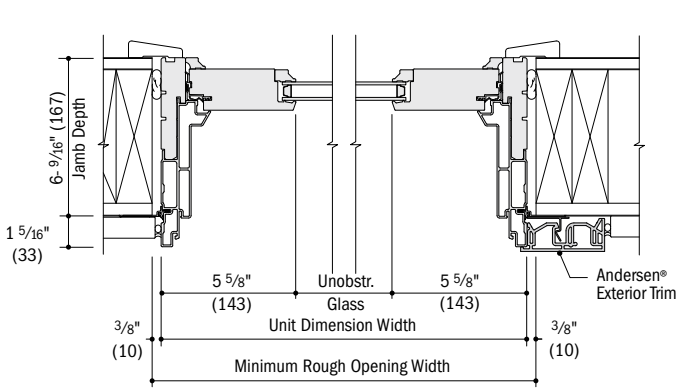
Optional drop-nose channel is available when higher product performance is required. Wood and concrete installations shown.



FRENCHWOOD® HINGED INSWING PATIO DOORS

Frenchwood® Hinged Inswing Patio Door Details – 6 9/16" (167) Jamb Depth

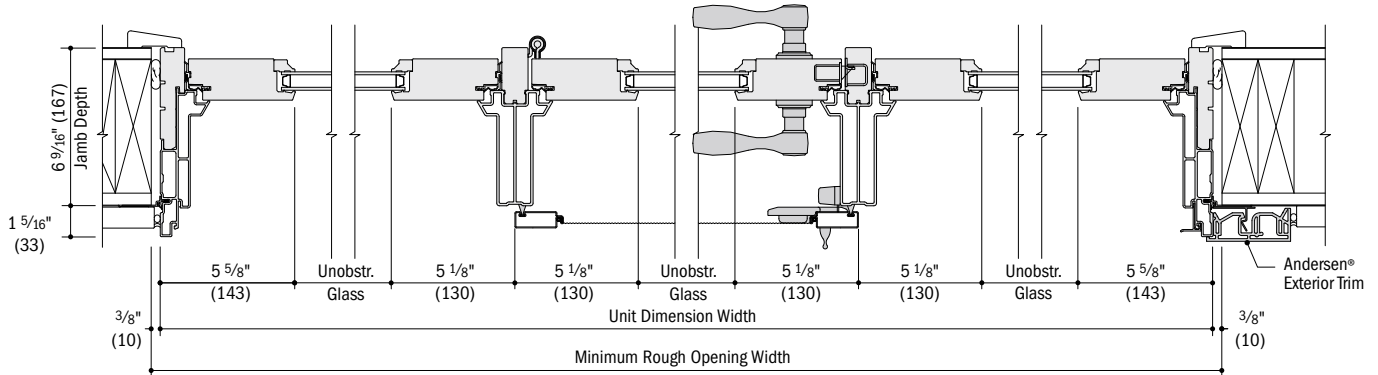
Scale 1 1/2" (38) = 1'-0" (305) – 1:8



- 6 9/16" (167) jamb depth measurement is from back side of installation flange.
- Light-colored areas are parts included with door. Dark-colored areas are additional Andersen® parts required to complete door assembly as shown.
- Dimensions in parentheses are in millimeters.
- Rough openings may need to be increased to allow for use of building wraps, flashing, sill panning, brackets, fasteners or other items. See installation information on pages 236-237.
- Details are for illustration only and are not intended to represent product installation methods or materials. Refer to product installation guides at andersenwindows.com.

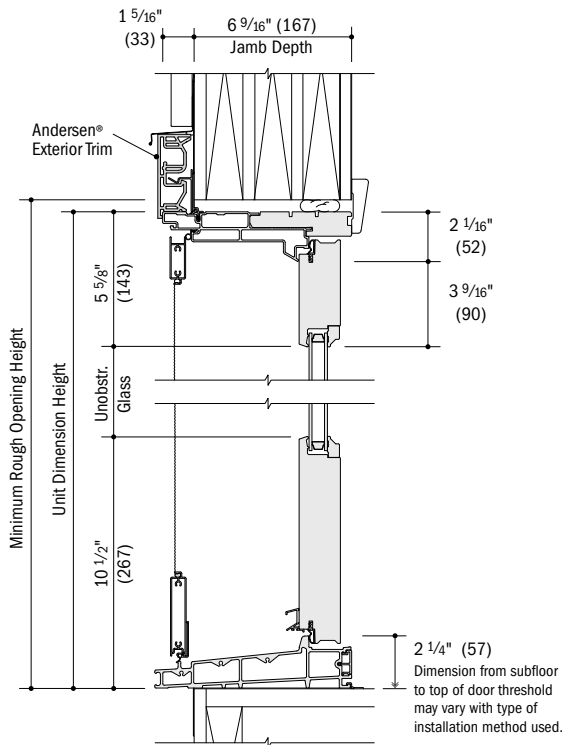
Frenchwood® Hinged Inswing Patio Door Details – 6 9/16" (167) Jamb Depth

Scale 1 1/2" (38) = 1'-0" (305) – 1:8

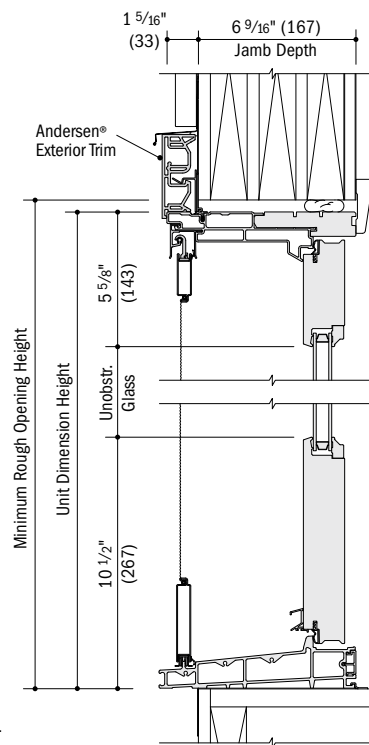


Horizontal Section – Three-Panel Stationary-Active-Stationary (SASL/SASR/ASSL/ASSR/SSAL/SSAR)

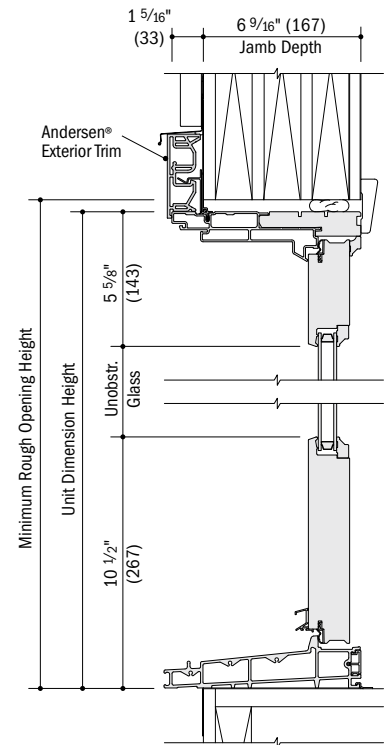
Top-Hung Gliding or Gliding Insect Screen



Vertical Section – Active
Hinged Insect Screen



Vertical Section – Active
Top-Hung Gliding Insect Screen



Vertical Section – Stationary

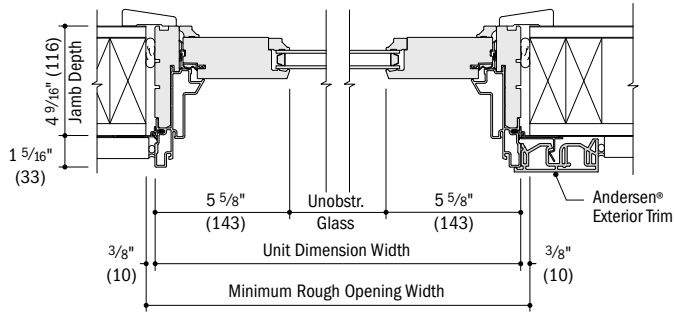
See pages 156-159 for horizontal and vertical joining details.

- 6 9/16" (167) jamb depth measurement is from back side of installation flange.
- Light-colored areas are parts included with door. Dark-colored areas are additional Andersen® parts required to complete door assembly as shown.
- Dimensions in parentheses are in millimeters.
- Rough openings may need to be increased to allow for use of building wraps, flashing, sill panning, brackets, fasteners or other items. See installation information on pages 236-237.
- Details are for illustration only and are not intended to represent product installation methods or materials. Refer to product installation guides at andersenwindows.com.

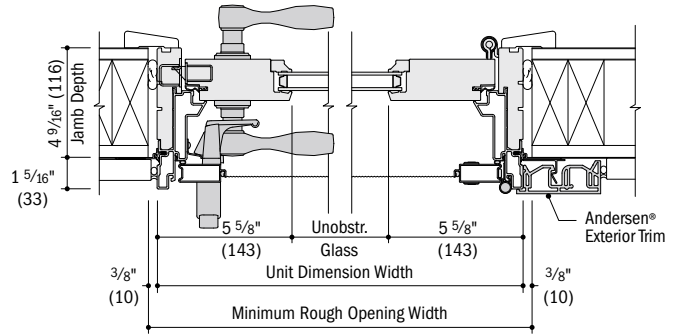
FRENCHWOOD® HINGED INSWING PATIO DOORS

Frenchwood® Hinged Inswing Patio Door Details – 4 9/16" (116) Jamb Depth

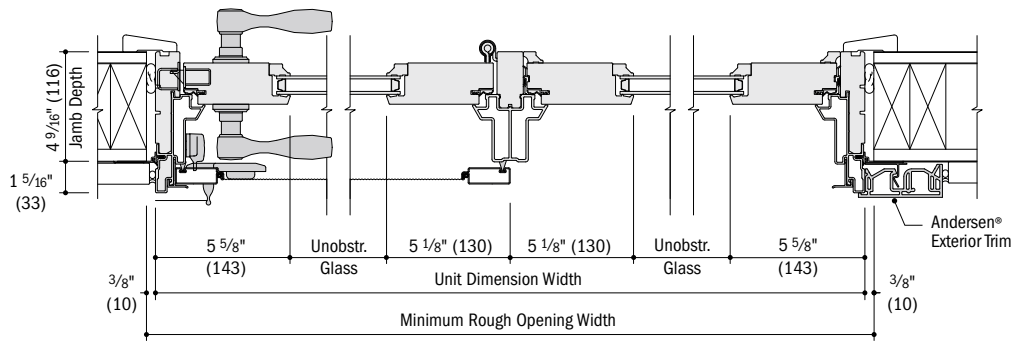
Scale 1 1/2" (38) = 1'-0" (305) – 1:8



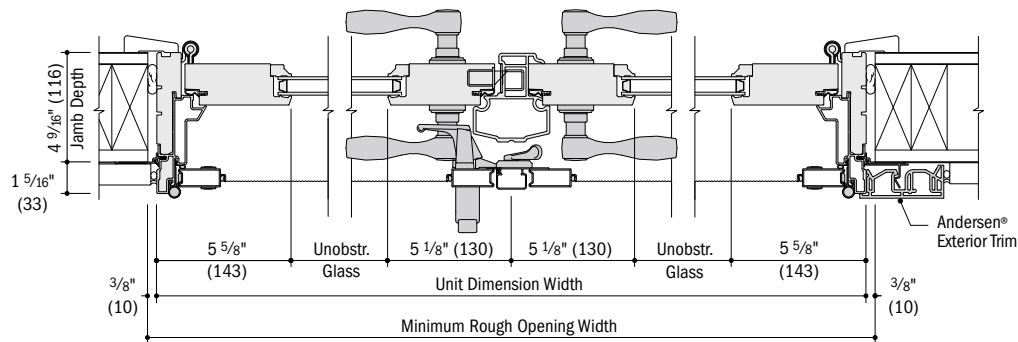
Horizontal Section – Stationary (S)



Horizontal Section – Active (AR/AL)
Hinged Insect Screen



Horizontal Section – Two-Panel Active-Stationary (ASR/ASL/SAL/SAR)
Top-Hung Gliding or Gliding Insect Screen

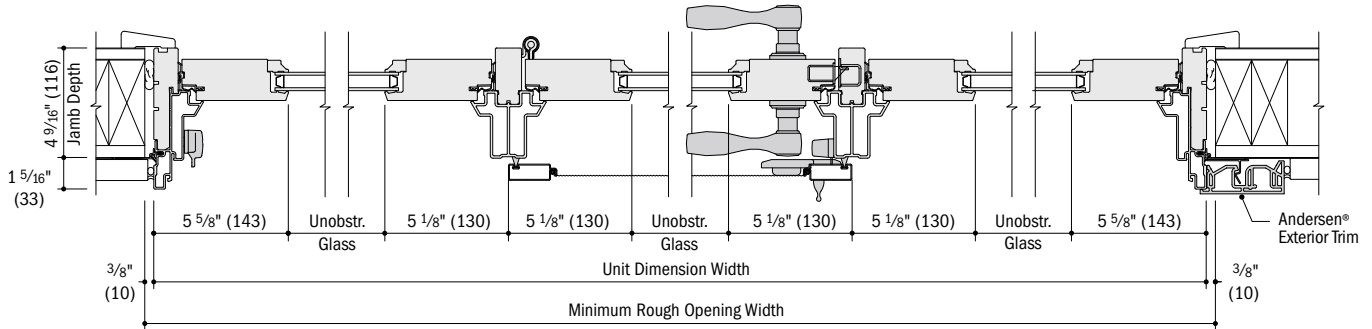


Horizontal Section – Two-Panel Active-Passive (APLR/PALR)
Hinged Insect Screen

- 4 9/16" (116) jamb depth measurement is from back side of installation flange.
- Light-colored areas are parts included with door. Dark-colored areas are additional Andersen® parts required to complete door assembly as shown.
- Dimensions in parentheses are in millimeters.
- **Rough openings may need to be increased to allow for use of building wraps, flashing, sill panning, brackets, fasteners or other items. See installation information on pages 236-237.**
- Details are for illustration only and are not intended to represent product installation methods or materials. Refer to product installation guides at andersenwindows.com.

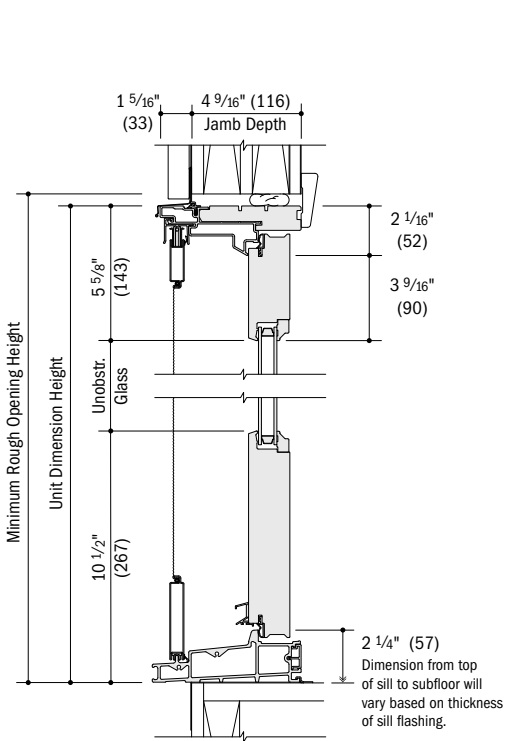
Frenchwood® Hinged Inswing Patio Door Details – 4 9/16" (116) Jamb Depth

Scale 1 1/2" (38) = 1'-0" (305) – 1:8

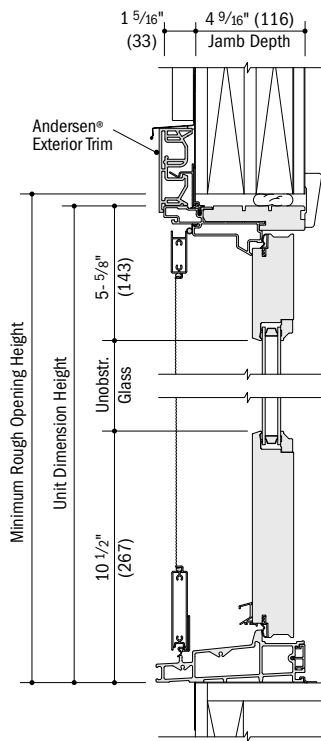


Horizontal Section – Three-Panel Stationary-Active-Stationary (SASL/SASR/ASSL/ASSR/SSAL/SSAR)

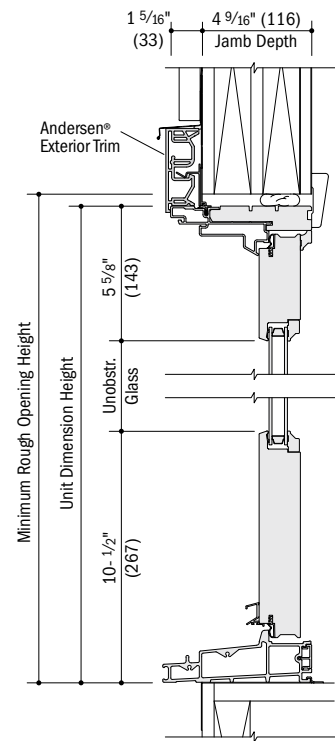
Top-Hung Gliding or Gliding Insect Screen



Vertical Section – Active
Gliding Insect Screen



Vertical Section – Active
Hinged Insect Screen



Vertical Section – Stationary

See pages 156-159 for horizontal and vertical joining details.

- 4 9/16" (116) jamb depth measurement is from back side of installation flange.
- Light-colored areas are parts included with door. Dark-colored areas are additional Andersen® parts required to complete door assembly as shown.
- Dimensions in parentheses are in millimeters.
- Rough openings may need to be increased to allow for use of building wraps, flashing, sill panning, brackets, fasteners or other items. See installation information on pages 236-237.
- Details are for illustration only and are not intended to represent product installation methods or materials. Refer to product installation guides at andersenwindows.com.

FRENCHWOOD® HINGED OUTSWING PATIO DOORS

Four Patio Door Heights

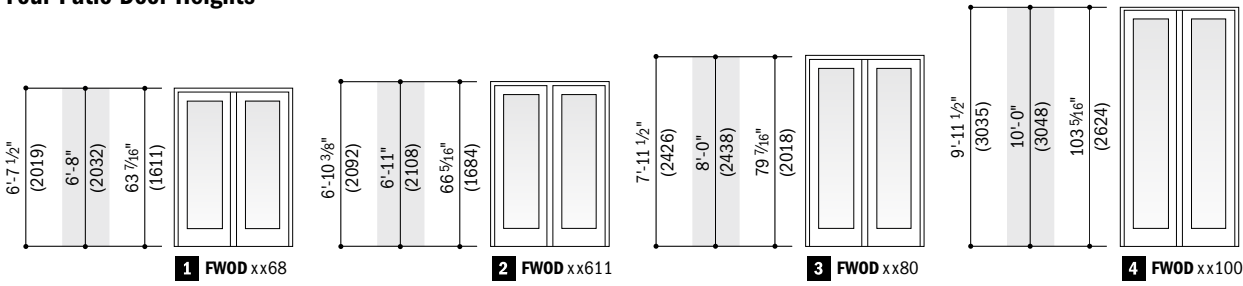


Table of Frenchwood® Hinged Outswing Patio Door Sizes

Scale 1/8" (3) = 1'-0" (305) – 1:96

Door Dimension	2'-0 1/8" (612)	2'-0 1/8" (612)	2'-0 1/8" (612)	3'-11 1/4" (1200)	2'-6 1/8" (764)	2'-6 1/8" (764)	2'-6 1/8" (764)	4'-11 1/4" (1505)
Minimum Rough Opening	2'-1" (634)	2'-1" (634)	2'-1" (634)	4'-0" (1219)	2'-7" (787)	2'-7" (787)	2'-7" (787)	5'-0" (1524)
Unobstructed Glass (single panel only)	12 7/8" (327)	12 7/8" (327)	12 7/8" (327)	12 7/8" (327)	18 7/8" (479)	18 7/8" (479)	18 7/8" (479)	18 7/8" (479)
3 heights								
	1 FWOD 2168S	2 FWOD 2168AR	3 FWOD 2168AL	4068APLR/4068PALR	2768S	2768AR	2768AL	5068APLR/5068PALR
	1 FWOD 21611S	2 FWOD 21611AR	3 FWOD 21611AL	40611APLR/40611PALR	27611S	27611AR	27611AL	50611APLR/50611PALR
	1 FWOD 2180S	2 FWOD 2180AR	3 FWOD 2180AL	4080APLR/4080PALR	2780S	2780AR	2780AL	5080APLR/5080PALR
Door Dimension	2'-8 1/8" (815)	2'-8 1/8" (815)	2'-8 1/8" (815)	5'-3 1/4" (1607)	3'-0 1/8" (917)	3'-0 1/8" (917)	3'-0 1/8" (917)	5'-11 1/4" (1810)
Minimum Rough Opening	2'-9" (838)	2'-9" (838)	2'-9" (838)	5'-4" (1626)	3'-1" (940)	3'-1" (940)	3'-1" (940)	6'-0" (1829)
Unobstructed Glass (single panel only)	20 7/8" (530)	20 7/8" (530)	20 7/8" (530)	20 7/8" (530)	24 7/8" (632)	24 7/8" (632)	24 7/8" (632)	24 7/8" (632)
3 heights								
	1 FWOD 2968S	2 FWOD 2968AR	3 FWOD 2968AL	5468APLR/5468PALR	3168S	3168AR	3168AL	6068APLR/6068PALR
	1 FWOD 29611S	2 FWOD 29611AR	3 FWOD 29611AL	54611APLR/54611PALR	31611S	31611AR	31611AL	60611APLR/60611PALR
	1 FWOD 2980S	2 FWOD 2980AR	3 FWOD 2980AL	5480APLR/5480PALR	3180S	3180AR	3180AL	6080APLR/6080PALR
Door Dimension	3'-2 1/8" (968)	3'-2 1/8" (968)	3'-2 1/8" (968)	6'-3 1/4" (1911)				
Minimum Rough Opening	3'-3" (991)	3'-3" (991)	3'-3" (991)	6'-4" (1930)				
Unobstructed Glass (single panel only)	26 7/8" (683)	26 7/8" (683)	26 7/8" (683)	26 7/8" (683)				
3 heights								
	1 FWOD 3368S	2 FWOD 3368AR	3 FWOD 3368AL	6468APLR/6468PALR				
	1 FWOD 33611S	2 FWOD 33611AR	3 FWOD 33611AL	64611APLR/64611PALR				
	1 FWOD 3380S	2 FWOD 3380AR	3 FWOD 3380AL	6480APLR/6480PALR				



Custom-size patio doors are available in 1/8" (3) increments. See pages

160-162 for custom sizes, specifications and information on shipping patio doors greater than 8' (2438).

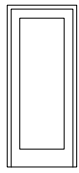
Stationary (S) patio doors can be used as an individual patio door or as a sidelight.

Details shown on pages 146-147. Grille patterns shown on page 146.

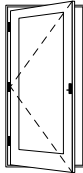
• "Window Dimension" always refers to outside frame to frame dimension.
 • "Minimum Rough Opening" dimensions may need to be increased to allow for use of building wraps, flashing, sill panning, brackets, fasteners or other items. See pages 236-237 for more details.
 • Dimensions in parentheses are in millimeters.

Identification

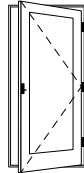
Viewed from the exterior.



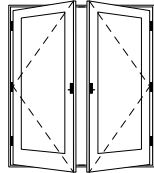
Stationary
(non-operating panel)



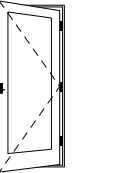
Left Hinged
(hinges on left)



Right Hinged
(hinges on right)



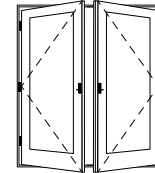
Active Panel
(operating panel
used most often)



Passive Panel
(operating panel with
attached astragal)

Order Designation Description

Viewed from the exterior.



FWOD Frenchwood® Hinged Outswing Patio Door
6068 Door Rough Opening
A Active Panel (panel used most often)
P Passive Panel
L Left Hinged
R Right Hinged

Frenchwood® Hinged Outswing Patio Door Opening and Area Specifications

Door Number	Number of Panels in Open Position*	Clear Opening Maximums				Glass Area Sq. Ft./ (m ²)	Vent Sq. Ft./ (m ²)	Overall Door Area Sq. Ft./ (m ²)
		Clear Opening Sq. Ft./ (m ²)	90° Width Inches/ (mm)	Full Width Inches/ (mm)	Height Inches/ (mm)			
FWOD2168	1	10.94 (1.02)	19 1/16" (484)	20 3/4" (527)	76 1/8" (1934)	5.67 (0.53)	10.94 (1.02)	13.30 (1.24)
FWOD2768	1	14.11 (1.31)	25 1/16" (637)	26 3/4" (679)	76 1/8" (1934)	8.31 (0.77)	14.11 (1.31)	16.61 (1.54)
FWOD2968	1	15.17 (1.41)	27 1/16" (687)	28 3/4" (730)	76 1/8" (1934)	9.20 (0.85)	15.17 (1.41)	17.72 (1.65)
FWOD3168	1	17.28 (1.61)	31 1/16" (789)	32 3/4" (832)	76 1/8" (1934)	10.96 (1.02)	17.28 (1.61)	19.93 (1.85)
FWOD3368	1	18.34 (1.70)	33 1/16" (840)	34 3/4" (883)	76 1/8" (1934)	11.84 (1.10)	18.34 (1.70)	21.03 (1.95)
FWOD4068	2	23.18 (2.15)	40 5/8" (1032)	43 7/8" (1114)	76 1/8" (1934)	11.34 (1.05)	23.18 (2.15)	26.09 (2.42)
FWOD4068	1	10.89 (1.01)	19" (483)	20 5/8" (524)	76 1/8" (1934)	11.34 (1.05)	10.89 (1.01)	26.09 (2.42)
FWOD5068	2	29.52 (2.74)	52 5/8" (1337)	55 7/8" (1419)	76 1/8" (1934)	16.63 (1.54)	29.52 (2.74)	32.71 (3.04)
FWOD5068	1	14.07 (1.31)	25" (635)	26 5/8" (676)	76 1/8" (1934)	16.63 (1.54)	14.07 (1.31)	32.71 (3.04)
FWOD5468	2	31.63 (2.94)	56 5/8" (1438)	59 7/8" (1521)	76 1/8" (1934)	18.39 (1.71)	31.63 (2.94)	34.92 (3.24)
FWOD5468	1	15.12 (1.40)	27" (686)	28 5/8" (727)	76 1/8" (1934)	18.39 (1.71)	15.12 (1.40)	34.92 (3.24)
FWOD6068	2	35.86 (3.33)	64 5/8" (1641)	67 7/8" (1724)	76 1/8" (1934)	21.92 (2.04)	35.86 (3.33)	39.34 (3.65)
FWOD6068	1	17.24 (1.60)	31" (787)	32 5/8" (829)	76 1/8" (1934)	21.92 (2.04)	17.24 (1.60)	39.34 (3.65)
FWOD6468	2	37.97 (3.53)	68 5/8" (1743)	71 7/8" (1826)	76 1/8" (1934)	23.68 (2.20)	37.97 (3.53)	41.54 (3.86)
FWOD6468	1	18.29 (1.70)	33" (838)	34 5/8" (879)	76 1/8" (1934)	23.68 (2.20)	18.29 (1.70)	41.54 (3.86)
FWOD21611	1	11.35 (1.05)	19 1/16" (484)	20 3/4" (527)	79" (2007)	5.93 (0.55)	11.35 (1.05)	13.78 (1.28)
FWOD27611	1	14.64 (1.36)	25 1/16" (637)	26 3/4" (679)	79" (2007)	8.69 (0.81)	14.64 (1.36)	17.22 (1.60)
FWOD29611	1	15.74 (1.46)	27 1/16" (687)	28 3/4" (730)	79" (2007)	9.61 (0.89)	15.74 (1.46)	18.36 (1.71)
FWOD31611	1	17.93 (1.67)	31 1/16" (789)	32 3/4" (832)	79" (2007)	11.45 (1.06)	17.93 (1.67)	20.65 (1.92)
FWOD33611	1	19.03 (1.77)	33 1/16" (840)	34 3/4" (883)	79" (2007)	12.38 (1.15)	19.03 (1.77)	21.79 (2.02)
FWOD40611	2	24.05 (2.23)	40 5/8" (1032)	43 7/8" (1114)	79" (2007)	11.86 (1.10)	24.05 (2.23)	27.03 (2.51)
FWOD40611	1	11.31 (1.05)	19" (483)	20 5/8" (524)	79" (2007)	11.86 (1.10)	11.31 (1.05)	27.03 (2.51)
FWOD50611	2	30.63 (2.85)	52 5/8" (1337)	55 7/8" (1419)	79" (2007)	17.38 (1.61)	30.63 (2.85)	33.89 (3.15)
FWOD50611	1	14.60 (1.36)	25" (635)	26 5/8" (676)	79" (2007)	17.38 (1.61)	14.60 (1.36)	33.89 (3.15)
FWOD54611	2	32.83 (3.05)	56 5/8" (1438)	59 7/8" (1521)	79" (2007)	19.22 (1.79)	32.83 (3.05)	36.18 (3.36)
FWOD54611	1	15.69 (1.46)	27" (686)	28 5/8" (727)	79" (2007)	19.22 (1.79)	15.69 (1.46)	36.18 (3.36)
FWOD60611	2	37.21 (3.46)	64 5/8" (1641)	67 7/8" (1724)	79" (2007)	22.91 (2.13)	37.21 (3.46)	40.76 (3.79)
FWOD60611	1	17.89 (1.66)	31" (787)	32 5/8" (829)	79" (2007)	22.91 (2.13)	17.89 (1.66)	40.76 (3.79)
FWOD64611	2	39.41 (3.66)	68 5/8" (1743)	71 7/8" (1826)	79" (2007)	24.75 (2.30)	39.41 (3.66)	43.05 (4.00)
FWOD64611	1	18.98 (1.76)	33" (838)	34 5/8" (879)	79" (2007)	24.75 (2.30)	18.98 (1.76)	43.05 (4.00)
FWOD2180	1	13.24 (1.23)	19 1/16" (484)	20 3/4" (527)	92 1/8" (2340)	7.10 (0.66)	13.24 (1.23)	15.98 (1.48)
FWOD2780	1	17.07 (1.59)	25 1/16" (637)	26 3/4" (679)	92 1/8" (2340)	10.41 (0.97)	17.07 (1.59)	19.96 (1.85)
FWOD2980	1	18.35 (1.71)	27 1/16" (687)	28 3/4" (730)	92 1/8" (2340)	11.52 (1.07)	18.35 (1.71)	21.28 (1.98)
FWOD3180	1	20.91 (1.94)	31 1/16" (789)	32 3/4" (832)	92 1/8" (2340)	13.72 (1.27)	20.91 (1.94)	23.94 (2.22)
FWOD3380	1	22.19 (2.06)	33 1/16" (840)	34 3/4" (883)	92 1/8" (2340)	14.82 (1.38)	22.19 (2.06)	25.26 (2.35)
FWOD4080	2	28.05 (2.61)	40 5/8" (1032)	43 7/8" (1114)	92 1/8" (2340)	14.20 (1.32)	28.05 (2.61)	31.34 (2.91)
FWOD4080	1	13.18 (1.22)	19" (483)	20 5/8" (524)	92 1/8" (2340)	14.20 (1.32)	13.18 (1.22)	31.34 (2.91)
FWOD5080	2	35.72 (3.32)	52 5/8" (1337)	55 7/8" (1419)	92 1/8" (2340)	20.82 (1.93)	35.72 (3.32)	39.29 (3.65)
FWOD5080	1	17.02 (1.58)	25" (635)	26 5/8" (676)	92 1/8" (2340)	20.82 (1.93)	17.02 (1.58)	39.29 (3.65)
FWOD5480	2	38.28 (3.56)	56 5/8" (1438)	59 7/8" (1521)	92 1/8" (2340)	23.03 (2.14)	38.28 (3.56)	41.95 (3.90)
FWOD5480	1	18.30 (1.70)	27" (686)	28 5/8" (727)	92 1/8" (2340)	23.03 (2.14)	18.30 (1.70)	41.95 (3.90)
FWOD6080	2	43.40 (4.03)	64 5/8" (1641)	67 7/8" (1724)	92 1/8" (2340)	27.44 (2.55)	43.40 (4.03)	47.25 (4.39)
FWOD6080	1	20.86 (1.94)	31" (787)	32 5/8" (829)	92 1/8" (2340)	27.44 (2.55)	20.86 (1.94)	47.25 (4.39)
FWOD6480	2	45.96 (4.27)	68 5/8" (1743)	71 7/8" (1826)	92 1/8" (2340)	29.65 (2.75)	45.96 (4.27)	49.91 (4.64)
FWOD6480	1	22.14 (2.06)	33" (838)	34 5/8" (879)	92 1/8" (2340)	29.65 (2.75)	22.14 (2.06)	49.91 (4.64)

* Dimensions in parentheses are in millimeters or square meters.
* For two-panel doors with only one panel open, clear opening is based on the active panel open and the passive panel closed.

continued on next page

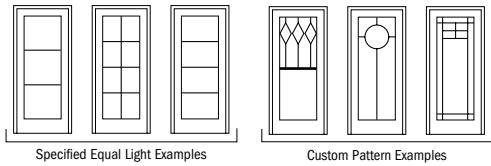
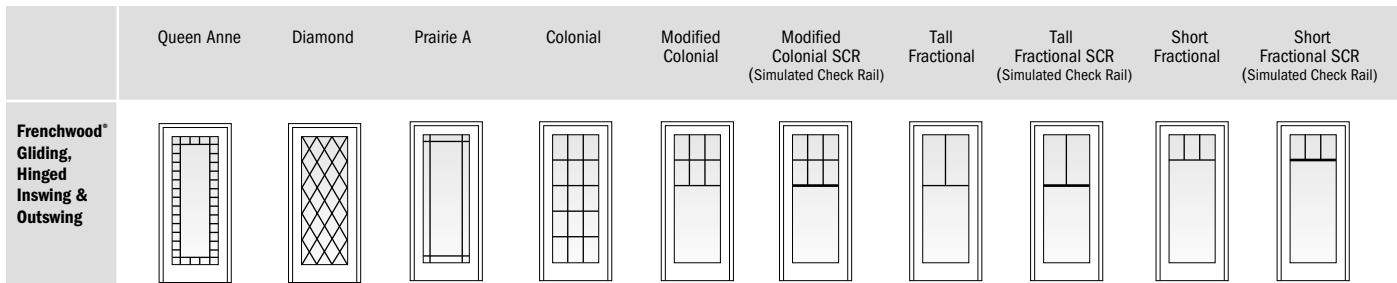
FRENCHWOOD® HINGED OUTSWING PATIO DOORS

Frenchwood® Hinged Outswing Patio Door Opening and Area Specifications *(continued)*

Door Number	Number of Panels in Open Position*	Clear Opening Maximums						Glass Area		Vent		Overall Door Area	
		Clear Opening Sq. Ft./ (m ²)		90° Width Inches/(mm)		Full Width Inches/(mm)		Height Inches/(mm)		Sq. Ft./ (m ²)		Sq. Ft./ (m ²)	
FWOD21100	1	16.73 (1.55)	19 1/16" (484)	20 3/4" (527)	116 1/8" (2950)	8.77 (0.81)	16.73 (1.55)	19.99 (1.86)					
FWOD27100	1	21.57 (2.00)	25 1/16" (637)	26 3/4" (679)	116 1/8" (2950)	13.08 (1.21)	21.57 (2.00)	24.97 (2.32)					
FWOD29100	1	23.18 (2.15)	27 1/16" (687)	28 3/4" (730)	116 1/8" (2950)	14.51 (1.35)	23.18 (2.15)	26.63 (2.47)					
FWOD31100	1	26.41 (2.45)	31 1/16" (789)	32 3/4" (832)	116 1/8" (2950)	17.38 (1.61)	26.41 (2.45)	29.95 (2.78)					
FWOD33100	1	28.02 (2.60)	33 1/16" (840)	34 3/4" (883)	116 1/8" (2950)	18.82 (1.75)	28.02 (2.60)	31.61 (2.94)					
FWOD40100	2	35.38 (3.29)	40 5/8" (1032)	43 7/8" (1114)	116 1/8" (2950)	17.54 (1.63)	35.38 (3.29)	39.21 (3.64)					
FWOD40100	1	16.63 (1.55)	19" (483)	20 5/8" (524)	116 1/8" (2950)	17.54 (1.63)	16.63 (1.55)	39.21 (3.64)					
FWOD50100	2	45.06 (4.19)	52 5/8" (1337)	55 7/8" (1419)	116 1/8" (2950)	26.16 (2.43)	45.06 (4.19)	49.17 (4.57)					
FWOD50100	1	21.47 (1.99)	25" (635)	26 5/8" (676)	116 1/8" (2950)	26.16 (2.43)	21.47 (1.99)	49.17 (4.57)					
FWOD54100	2	48.28 (4.49)	56 5/8" (1438)	59 7/8" (1521)	116 1/8" (2950)	29.03 (2.70)	48.28 (4.49)	52.49 (4.88)					
FWOD54100	1	23.08 (2.14)	27" (686)	28 5/8" (727)	116 1/8" (2950)	29.03 (2.70)	23.08 (2.14)	52.49 (4.88)					
FWOD60100	2	54.74 (5.09)	64 5/8" (1641)	67 7/8" (1724)	116 1/8" (2950)	34.77 (3.23)	54.74 (5.09)	59.13 (5.49)					
FWOD60100	1	26.31 (2.45)	31" (787)	32 5/8" (829)	116 1/8" (2950)	34.77 (3.23)	26.31 (2.45)	59.13 (5.49)					
FWOD64100	2	57.96 (5.39)	68 5/8" (1743)	71 7/8" (1826)	116 1/8" (2950)	37.64 (3.50)	57.96 (5.39)	62.45 (5.80)					
FWOD64100	1	27.92 (2.59)	33" (838)	34 5/8" (879)	116 1/8" (2950)	37.64 (3.50)	27.92 (2.59)	62.45 (5.80)					

- Dimensions in parentheses are in millimeters or square meters.
- *For two-panel doors with only one panel open, clear opening is based on the active panel open and the passive panel closed.

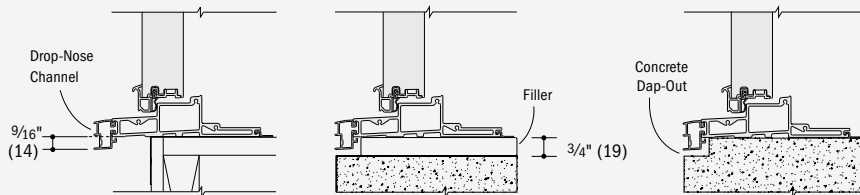
Grille Patterns



Number of lights and overall pattern varies with door size. Patterns shown may not be available for all sizes. Specified equal light and custom patterns are also available. For more information on divided light, see pages 12-13 or visit andersenwindows.com/grilles.

Drop-Nose Channel

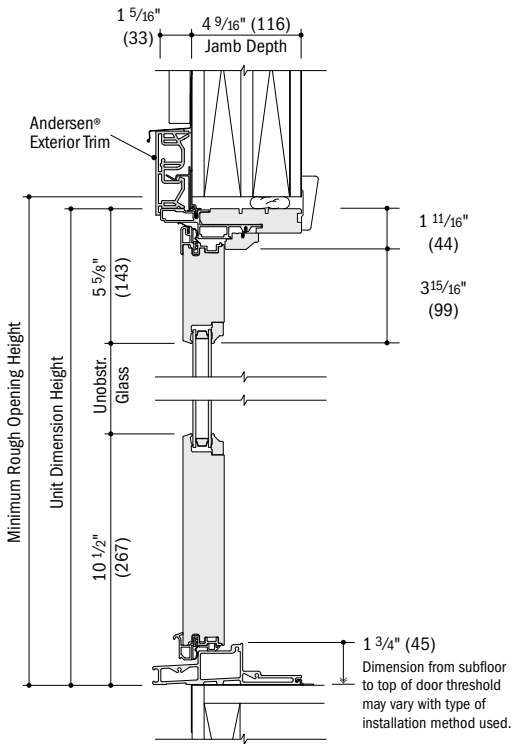
Optional drop-nose channel is available when higher product performance is required. Wood and concrete installations shown.



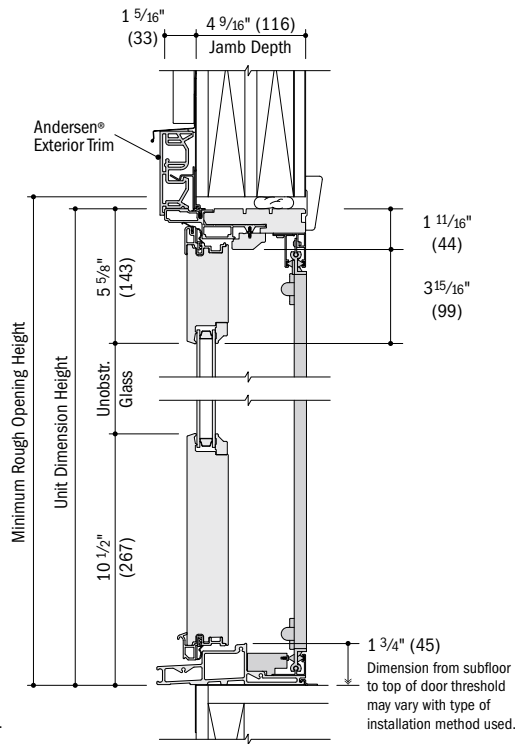
- Dimensions in parentheses are in millimeters.
- Details are for illustration only and are not intended to represent product installation methods or materials. Refer to product installation guides at andersenwindows.com.

Frenchwood® Hinged Outswing Patio Door Details

Scale 1 1/2" (38) = 1'-0" (305) – 1:8

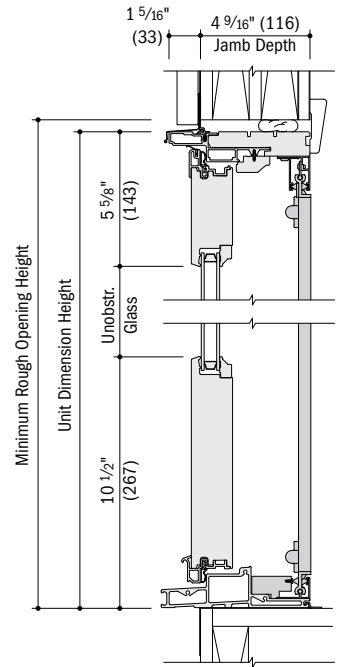


Vertical Section – Stationary



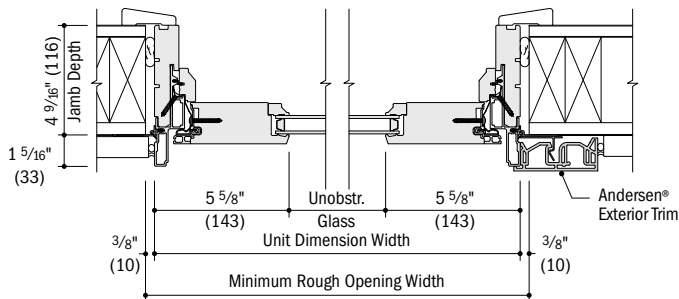
Vertical Section – Active

Retractable Insect Screen

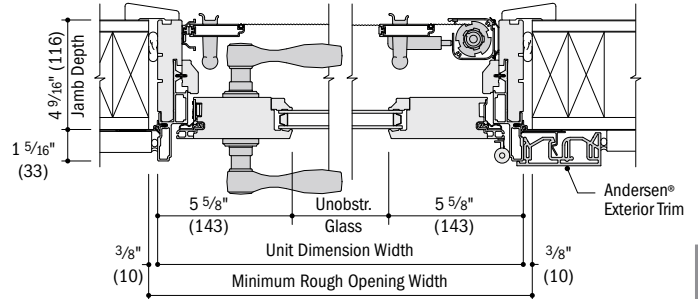


Vertical Section – Active

Retractable Insect Screen



Horizontal Section – Stationary (S)

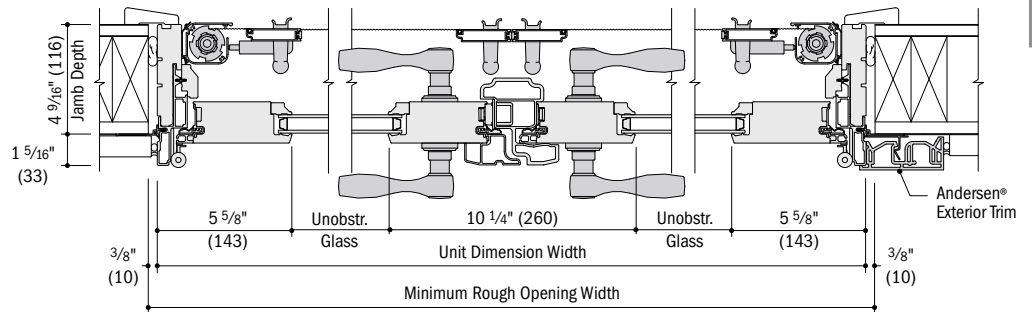


Horizontal Section – Active (AR/AL)

Retractable Insect Screen

See pages 156-159 for horizontal and vertical joining details.

- 4 9/16" (116) jamb depth measurement is from back side of installation flange.
- Light-colored areas are parts included with door. Dark-colored areas are additional Andersen® parts required to complete door assembly as shown.
- Dimensions in parentheses are in millimeters.
- **Rough openings may need to be increased to allow for use of building wraps, flashing, sill panning, brackets, fasteners or other items. See installation information on page 236-237.**
- Details are for illustration only and are not intended to represent product installation methods or materials. Refer to product installation guides at andersenwindows.com.



Horizontal Section – Two-Panel Active (APLR/PALR)

Retractable Insect Screen

FRENCHWOOD® PATIO DOOR SIDELIGHTS & TRANSOMS

Table of Frenchwood® Patio Door Sidelight Transoms, Transoms & Venting Transom Window Sizes

Notes on page 150 also apply to this page.

Scale 1/8" (3) = 1'-0" (305) – 1:96

Transom/Sidelight Dimension	1'-2 1/4" (362)	1'-6 1/4" (464)	2'-0 1/8" (612)	2'-6 1/8" (765)	2'-8 1/8" (816)	3'-0 1/8" (918)	3'-2 1/8" (968)	3'-11 1/4" (1200)	4'-11 1/4" (1505)	5'-3 1/4" (1607)
Minimum Rough Opening	1'-3" (381)	1'-7" (483)	2'-1" (635)	2'-7" (787)	2'-9" (838)	3'-1" (940)	3'-3" (991)	4'-0" (1219)	5'-0" (1524)	5'-4" (1626)

Unobstructed Glass (single sash only)

11 1/4" (286)

11 1/4" (286)

11 1/4" (286)

1'-3 1/4" (387)

1'-3 1/4" (387)

1'-3 1/4" (387)

1'-3 1/4" (387)

1'-3 1/4" (387)

1'-7 1/4" (489)

1'-7 1/4" (489)

1'-7 1/4" (489)

1'-7 1/4" (489)

1'-11 1/4" (591)

1'-11 1/4" (591)

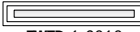
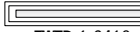












CUSTOM SIZES AVAILABLE – Varies based on transom style.




















CUSTOM SIZES AVAILABLE – Varies based on transom style.




















Transom/Sidelight Dimension	6 3/8" (163)	10 3/8" (264)	12 7/8" (327)	18 7/8" (479)	20 7/8" (530)	24 7/8" (632)	26 7/8" (683)	36" (915)	48" (1220)	52" (1322)
11 1/4" (286)	FWSLTD-1-1310	FWSLTD-1-1710	FWTD-1-2110	FWTD-1-2710	FWTD-1-2910	FWTD-1-3110	FWTD-1-3310	FWTD-1-4010	FWTD-1-5010	FWTD-1-5410
11 1/4" (286)								FWTD-2-4010	FWTD-2-5010	FWTD-2-5410
11 1/4" (286)	FWSTDS1310	FWSTDS1710	FWTDS2110	FWTDS2710	FWTDS2910	FWTDS3110	FWTDS3310	FWTDS4010	FWTDS5010	FWTDS5410
1'-3 1/4" (387)	FWSLTD-1-1314	FWSLTD-1-1714	FWTD-1-2114	FWTD-1-2714	FWTD-1-2914	FWTD-1-3114	FWTD-1-3314	FWTD-1-4014	FWTD-1-5014	FWTD-1-5414
1'-3 1/4" (387)								FWTD-2-4014	FWTD-2-5014	FWTD-2-5414
1'-3 1/4" (387)			ATV2114	ATV2714	ATV2914	ATV3114	ATV3314	ATV4014	ATV5014	ATV5414
1'-3 1/4" (387)	FWSTDS1314	FWSTDS1714	FWTDS2114	FWTDS2714	FWTDS2914	FWTDS3114	FWTDS3314	FWTDS4014	FWTDS5014	FWTDS5414
1'-7 1/4" (489)	FWSLTD-1-1318	FWSLTD-1-1718	FWTD-1-2118	FWTD-1-2718	FWTD-1-2918	FWTD-1-3118	FWTD-1-3318	FWTD-1-4018	FWTD-1-5018	FWTD-1-5418
1'-7 1/4" (489)								FWTD-2-4018	FWTD-2-5018	FWTD-2-5418
1'-7 1/4" (489)			ATV2118	ATV2718	ATV2918	ATV3118	ATV3318	ATV4018	ATV5018	ATV5418
1'-7 1/4" (489)	FWSTDS1318	FWSTDS1718	FWTDS2118	FWTDS2718	FWTDS2918	FWTDS3118	FWTDS3318	FWTDS4018	FWTDS5018	FWTDS5418
1'-11 1/4" (591)	FWSLTD-1-1320	FWSLTD-1-1720	FWTD-1-2120	FWTD-1-2720	FWTD-1-2920	FWTD-1-3120	FWTD-1-3320	FWTD-1-4020	FWTD-1-5020	FWTD-1-5420
1'-11 1/4" (591)								FWTD-2-4020	FWTD-2-5020	FWTD-2-5420

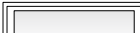
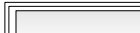
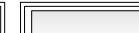









Notes on page 150 also apply to this page. Patio door sidelight and transom sizes on pages 148-152.

5'-11 ¹ / ₄ " (1810)	6'-3 ¹ / ₄ " (1911)	6'-11 ¹ / ₄ " (2114)	7'-10 ⁷ / ₁₆ " (2398)	7'-11 ¹ / ₄ " (2419)	8'-10 ⁷ / ₁₆ " (2703)	9'-4 ⁷ / ₁₆ " (2856)
6'-0" (1829)	6'-4" (1930)	7'-0" (2133)	7'-11" (2413)	8'-0" (2438)	8'-11" (2717)	9'-6" (2896)

60" (1525)	64" (1626)	72" (1830)	83 ³ / ₁₆ " (2113)	84" (2134)	95 ³ / ₁₆ " (2418)	101 ³ / ₁₆ " (2570)
 FWTD-1-6010 24 ⁷ / ₈ " (632)	 FWTD-1-6410 26 ⁷ / ₈ " (683)	 FWTD-1-7010	 FWTD-1-71110 20 ⁷ / ₈ " (530)	 FWTD-1-8010	 FWTD-1-81110 24 ⁷ / ₈ " (632)	 FWTD-1-9610 26 ⁷ / ₈ " (683)
 FWTD-2-6010 67 ⁵ / ₈ " (1717)	 FWTD-2-6410 71 ⁵ / ₈ " (1818)	 FWTD-2-7010 79 ⁵ / ₈ " (2022)	 FWTD-3-71110 90 ³ / ₄ " (2305)	 FWTD-3-8010 91 ⁵ / ₈ " (2326)	 FWTD-3-81110 102 ³ / ₄ " (2610)	 FWTD-3-9610 108 ³ / ₄ " (2762)
FWTDS6010	FWTDS6410	FWTDS7010	FWTDS71110	FWTDS8010	FWTDS81110	FWTDS9610

60" (1525)	64" (1626)	72" (1830)	83 ³ / ₁₆ " (2113)	84" (2134)	95 ³ / ₁₆ " (2418)	101 ³ / ₁₆ " (2570)
 FWTD-1-6014 24 ⁷ / ₈ " (632)	 FWTD-1-6414 26 ⁷ / ₈ " (683)	 FWTD-1-7014	 FWTD-1-71114 20 ⁷ / ₈ " (530)	 FWTD-1-8014	 FWTD-1-81114 24 ⁷ / ₈ " (632)	 FWTD-1-9614 26 ⁷ / ₈ " (683)
 FWTD-2-6014 64 ⁵ / ₈ " (1641)	 FWTD-2-6414		 FWTD-3-71114		 FWTD-3-81114	 FWTD-3-9614
 ATV6014 67 ⁵ / ₈ " (1717)	 ATV6414 71 ⁵ / ₈ " (1818)	 ATV7014 79 ⁵ / ₈ " (2022)	 ATV71114 90 ³ / ₄ " (2305)	 ATV8014 91 ⁵ / ₈ " (2326)	 ATV81114 102 ³ / ₄ " (2610)	 ATV9614 108 ³ / ₄ " (2762)
FWTDS6014	FWTDS6414	FWTDS7014	FWTDS71114	FWTDS8014	FWTDS81114	FWTDS9614

60" (1525)	64" (1626)	72" (1830)	83 ³ / ₁₆ " (2113)	84" (2134)	95 ³ / ₁₆ " (2418)	101 ³ / ₁₆ " (2570)
 FWTD-1-6018 24 ⁷ / ₈ " (632)	 FWTD-1-6418 26 ⁷ / ₈ " (683)	 FWTD-1-7018	 FWTD-1-71118 20 ⁷ / ₈ " (530)	 FWTD-1-8018	 FWTD-1-81118 24 ⁷ / ₈ " (632)	 FWTD-1-9618 26 ⁷ / ₈ " (683)
 FWTD-2-6018 64 ⁵ / ₈ " (1641)	 FWTD-2-6418		 FWTD-3-71118		 FWTD-3-81118	 FWTD-3-9618
 ATV6018 67 ⁵ / ₈ " (1717)	 ATV6418 71 ⁵ / ₈ " (1818)	 ATV7018 79 ⁵ / ₈ " (2022)	 ATV71118 90 ³ / ₄ " (2305)	 ATV8018 91 ⁵ / ₈ " (2326)	 ATV81118 102 ³ / ₄ " (2610)	 ATV9618 108 ³ / ₄ " (2762)
FWTDS6018	FWTDS6418	FWTDS7018	FWTDS71118	FWTDS8018	FWTDS81118	FWTDS9618

60" (1525)	64" (1626)	72" (1830)	83 ³ / ₁₆ " (2113)	84" (2134)	95 ³ / ₁₆ " (2418)	101 ³ / ₁₆ " (2570)
 FWTD-1-6020 24 ⁷ / ₈ " (632)	 FWTD-1-6420 26 ⁷ / ₈ " (683)	 FWTD-1-7020	 FWTD-1-71120 20 ⁷ / ₈ " (530)	 FWTD-1-8020	 FWTD-1-81120 24 ⁷ / ₈ " (632)	 FWTD-1-9620 26 ⁷ / ₈ " (683)
 FWTD-2-6020	 FWTD-2-6420		 FWTD-3-71120		 FWTD-3-81120	 FWTD-3-9620
FWTDS6020	FWTDS6420		FWTDS71120		FWTDS81120	FWTDS9620

continued on next page

FRENCHWOOD® PATIO DOOR SIDELIGHTS & TRANSOMS

Table of Frenchwood® Patio Door Sidelight Transoms, Transoms & Venting Transom Window Sizes (continued)

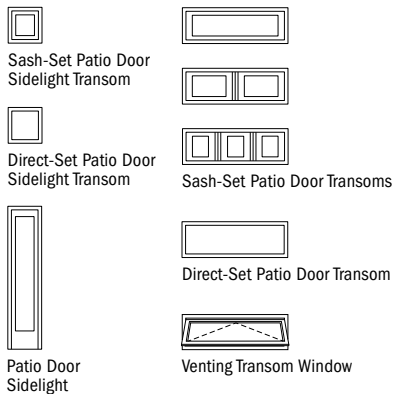
Scale 1/8" (3) = 1'-0" (305) – 1:96

Transom/Sidelight Dimension	1'-2 1/4" (362)	1'-6 1/4" (464)	2'-0 1/8" (612)	2'-6 1/8" (765)	2'-8 1/8" (816)	3'-0 1/8" (918)	3'-2 1/8" (968)	3'-11 1/4" (1200)	4'-11 1/4" (1505)	5'-3 1/4" (1607)
Minimum Rough Opening	1'-3" (381)	1'-7" (483)	2'-1" (635)	2'-7" (787)	2'-9" (838)	3'-1" (940)	3'-3" (991)	4'-0" (1219)	5'-0" (1524)	5'-4" (1626)

Unobstructed Glass (single sash only)	CUSTOM SIZES AVAILABLE – Varies based on transom style.									
	1'-11 1/4" (591)	1'-11 1/4" (591)	2'-3 1/4" (692)	2'-3 1/4" (692)	2'-3 1/4" (692)	2'-3 1/4" (692)	2'-3 1/4" (692)	2'-3 1/4" (692)	2'-3 1/4" (692)	2'-3 1/4" (692)
1'-11 1/4" (591)	10 5/8" (269)	14 5/8" (371)	17 5/8" (448)	23 5/8" (600)	25 5/8" (651)	29 5/8" (752)	31 5/8" (803)	40 5/8" (1032)	52 5/8" (1337)	56 5/8" (1438)
1'-11 1/4" (591)	FWSTDS1320	FWSTDS1720	FWTDS2120	FWTDS2720	FWTDS2920	FWTDS3120	FWTDS3320	FWTDS4020	FWTDS5020	FWTDS5420
2'-3 1/4" (692)	6 3/8" (163)	10 3/8" (264)	12 7/8" (327)	18 7/8" (479)	20 7/8" (530)	24 7/8" (632)	26 7/8" (683)	36" (915)	48" (1220)	52" (1322)
2'-3 1/4" (692)	FWSLTD-1-1324	FWSLTD-1-1724	FWTD-1-2124	FWTD-1-2724	FWTD-1-2924	FWTD-1-3124	FWTD-1-3324	FWTD-1-4024	FWTD-1-5024	FWTD-1-5424
2'-3 1/4" (692)								12 7/8" (327)	18 7/8" (479)	20 7/8" (530)
2'-3 1/4" (692)								FWTD-2-4024	FWTD-2-5024	FWTD-2-5424
2'-3 1/4" (692)								40 5/8" (1032)	52 5/8" (1337)	56 5/8" (1438)
2'-3 1/4" (692)								FWTDS4024	FWTDS5024	FWTDS5424
2'-3 1/4" (692)	10 5/8" (269)	14 5/8" (371)	17 5/8" (448)	23 5/8" (600)	25 5/8" (651)	29 5/8" (752)	31 5/8" (803)	40 5/8" (1032)	52 5/8" (1337)	56 5/8" (1438)
2'-3 1/4" (692)	FWSTDS1324	FWSTDS1724	FWTDS2124	FWTDS2724	FWTDS2924	FWTDS3124	FWTDS3324	FWTDS4024	FWTDS5024	FWTDS5424



Custom-size patio door sidelight transoms and transom windows are available in 1/8" (3) increments. See pages 160-162 for custom sizes and specifications.



Choose patio door sash-set sidelight transom (FWSLTD), direct-set sidelight transom (FWSTDS), sash-set transom (FWTD-1, FWTD-2, FWTD-3), direct-set transom (FWTDS), venting transom window (ATV) or patio door sidelights (shown on page 152).

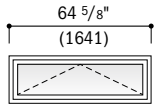
Direct-set transom (FWTDS) provides maximum unobstructed glass. **Venting transom window must be installed to vent as shown and should not be rotated and used as a hopper.**

Details shown on pages 154-155. Grille patterns shown on page 154.

- "Window Dimension" always refers to outside frame to frame dimension.
- "Minimum Rough Opening" dimensions may need to be increased to allow for use of building wraps, flashing, sill panning, brackets, fasteners or other items. See pages 236-237 for more details.
- Dimensions in parentheses are in millimeters.

Notes on the previous page also apply to this page. Patio door sidelight and transom sizes on pages 148-152.

5'-11 ¹ / ₄ " (1810)	6'-3 ¹ / ₄ " (1911)	6'-11 ¹ / ₄ " (2114)	7'-10 ⁷ / ₁₆ " (2398)	7'-11 ¹ / ₄ " (2419)	8'-10 ⁷ / ₁₆ " (2703)	9'-4 ⁷ / ₁₆ " (2856)
6'-0" (1829)	6'-4" (1930)	7'-0" (2133)	7'-11" (2413)	8'-0" (2438)	8'-11" (2717)	9'-6" (2896)

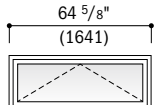


ATV6020

67 ⁵ / ₈ " (1717)	71 ⁵ / ₈ " (1818)	79 ⁵ / ₈ " (2022)	90 ³ / ₄ " (2305)	91 ⁵ / ₈ " (2326)	102 ³ / ₄ " (2610)	108 ³ / ₄ " (2762)
FWTDS6020	FWTDS6420	FWTDS7020	FWTDS71120	FWTDS8020	FWTDS81120	FWTDS9620

60" (1525)	64" (1626)	72" (1830)	83 ³ / ₁₆ " (2113)	84" (2134)	95 ³ / ₁₆ " (2418)	101 ³ / ₁₆ " (2570)
FWTD-1-6024	FWTD-1-6424	FWTD-1-7024	FWTD-1-71124	FWTD-1-8024	FWTD-1-81124	FWTD-1-9624

24 ⁷ / ₈ " (632)	26 ⁷ / ₈ " (683)		20 ⁷ / ₈ " (530)		24 ⁷ / ₈ " (632)	26 ⁷ / ₈ " (683)
FWTD-2-6024	FWTD-2-6424		FWTD-3-71124		FWTD-3-81124	FWTD-3-9624



ATV6024

67 ⁵ / ₈ " (1717)	71 ⁵ / ₈ " (1818)	79 ⁵ / ₈ " (2022)	90 ³ / ₄ " (2305)	91 ⁵ / ₈ " (2326)	102 ³ / ₄ " (2610)	108 ³ / ₄ " (2762)
FWTDS6024	FWTDS6424	FWTDS7024	FWTDS71124	FWTDS8024	FWTDS81124	FWTDS9624

Direct-Set Frenchwood® Patio Door Sidelight Transom & Transom Area Specifications

Transom Number	Glass Area Sq. Ft./ (m ²)	Overall Transom Area Sq. Ft./ (m ²)
FWTDS1310	0.56 (0.05)	1.11 (0.10)
FWTDS1314	0.85 (0.08)	1.51 (0.14)
FWTDS1318	1.15 (0.11)	1.90 (0.18)
FWTDS1320	1.44 (0.13)	2.30 (0.21)
FWTDS1324	1.74 (0.16)	2.70 (0.25)
FWTDS1710	0.77 (0.07)	1.43 (0.13)
FWTDS1714	1.18 (0.11)	1.93 (0.18)
FWTDS1718	1.58 (0.15)	2.44 (0.23)
FWTDS1720	1.99 (0.18)	2.95 (0.27)
FWTDS1724	2.39 (0.22)	3.45 (0.32)
FWTDS2110	1.08 (0.10)	1.88 (0.17)
FWTDS2114	1.65 (0.15)	2.55 (0.24)
FWTDS2118	2.21 (0.21)	3.22 (0.30)
FWTDS2120	2.78 (0.26)	3.89 (0.36)
FWTDS2124	3.35 (0.31)	4.56 (0.42)
FWTDS2710	1.39 (0.13)	2.35 (0.22)
FWTDS2714	2.13 (0.20)	3.19 (0.30)
FWTDS2718	2.86 (0.27)	4.02 (0.37)
FWTDS2720	3.60 (0.33)	4.86 (0.45)
FWTDS2724	4.33 (0.40)	5.69 (0.53)

Transom Number	Glass Area Sq. Ft./ (m ²)	Overall Transom Area Sq. Ft./ (m ²)
FWTDS2910	1.50 (0.14)	2.51 (0.23)
FWTDS2914	2.29 (0.21)	3.40 (0.32)
FWTDS2918	3.08 (0.29)	4.29 (0.40)
FWTDS2920	3.87 (0.36)	5.18 (0.48)
FWTDS2924	4.66 (0.43)	6.07 (0.56)
FWTDS3110	1.71 (0.16)	2.82 (0.26)
FWTDS3114	2.61 (0.24)	3.82 (0.36)
FWTDS3118	3.51 (0.33)	4.83 (0.45)
FWTDS3120	4.41 (0.41)	5.83 (0.54)
FWTDS3124	5.31 (0.49)	6.83 (0.63)
FWTDS3310	1.82 (0.17)	2.98 (0.28)
FWTDS3314	2.77 (0.26)	4.03 (0.37)
FWTDS3318	3.73 (0.35)	5.09 (0.47)
FWTDS3320	4.69 (0.44)	6.15 (0.57)
FWTDS3324	5.64 (0.52)	7.21 (0.67)
FWTDS4010	2.30 (0.21)	3.69 (0.34)
FWTDS4014	3.51 (0.33)	5.00 (0.46)
FWTDS4018	4.72 (0.44)	6.32 (0.59)
FWTDS4020	5.93 (0.55)	7.63 (0.71)
FWTDS4024	7.14 (0.66)	8.94 (0.83)

Transom Number	Glass Area Sq. Ft./ (m ²)	Overall Transom Area Sq. Ft./ (m ²)
FWTDS5010	2.93 (0.27)	4.63 (0.43)
FWTDS5014	4.48 (0.42)	6.27 (0.58)
FWTDS5018	6.02 (0.56)	7.92 (0.74)
FWTDS5020	7.56 (0.70)	9.57 (0.89)
FWTDS5024	9.11 (0.85)	11.21 (1.04)
FWTDS5410	3.14 (0.29)	4.94 (0.46)
FWTDS5414	4.80 (0.45)	6.70 (0.62)
FWTDS5418	6.45 (0.60)	8.46 (0.79)
FWTDS5420	8.11 (0.75)	10.21 (0.95)
FWTDS5424	9.76 (0.91)	11.97 (1.11)
FWTDS6010	3.56 (0.33)	5.57 (0.52)
FWTDS6014	5.44 (0.51)	7.55 (0.70)
FWTDS6018	7.32 (0.68)	9.52 (0.88)
FWTDS6020	9.20 (0.85)	11.50 (1.07)
FWTDS6024	11.08 (1.03)	13.48 (1.25)
FWTDS6410	3.78 (0.35)	5.88 (0.55)
FWTDS6414	5.76 (0.54)	7.97 (0.74)
FWTDS6418	7.75 (0.72)	10.06 (0.93)
FWTDS6420	9.74 (0.90)	12.15 (1.13)

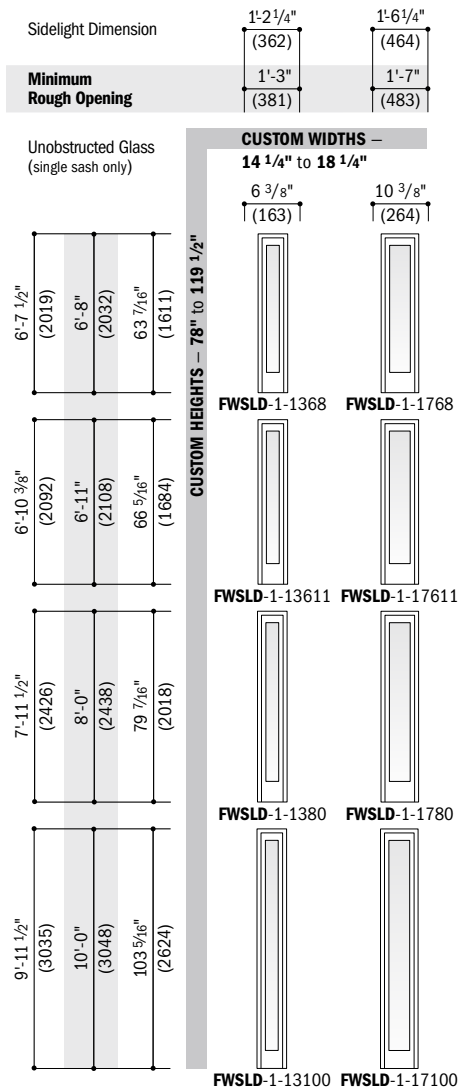
• Dimensions in parentheses are in square meters.

continued on next page

FRENCHWOOD® PATIO DOOR SIDELIGHTS & TRANSOMS

Table of Frenchwood® Patio Door Sidelight Sizes

Scale 1/8" (3) = 1'-0" (305) – 1:96



- "Window Dimension" always refers to outside frame to frame dimension.
- "Minimum Rough Opening" dimensions may need to be increased to allow for use of building wraps, flashing, sill panning, brackets, fasteners or other items. See pages 236-237 for more details.
- Dimensions in parentheses are in millimeters.



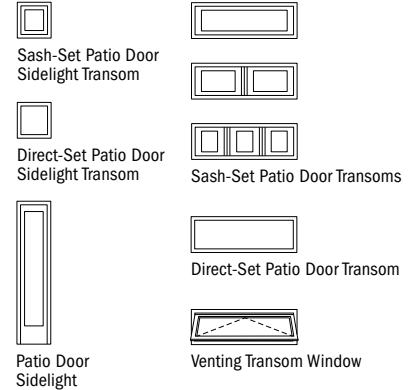
Custom-size patio door sidelights, are available in 1/8" (3) increments. See pages 160-162 for custom sizes and specifications.

Choose patio door sidelight (FWSLD) or sash-set sidelight transom, direct-set sidelight transom, sash-set transom, direct-set transom, or venting transom window (patio door transoms shown on pages 148-151).

Details shown on pages 154-155.

Grille patterns shown on page 154.

Patio door sidelight and transom sizes on pages 148-152.



Transom Number	Glass Area Sq. Ft./ (m ²)	Overall Transom Area Sq. Ft./ (m ²)
FWTD571124	14.87 (1.38)	17.87 (1.66)
FWTD58010	4.83 (0.45)	7.44 (0.69)
FWTD58014	7.37 (0.68)	10.09 (0.94)
FWTD58018	9.92 (0.92)	12.73 (1.18)
FWTD58020	12.46 (1.16)	15.38 (1.43)
FWTD58024	15.01 (1.39)	18.02 (1.67)
FWTD581110	5.42 (0.50)	8.31 (0.77)
FWTD581114	8.27 (0.77)	11.27 (1.05)
FWTD581118	11.13 (1.03)	14.22 (1.32)
FWTD581120	13.98 (1.30)	17.18 (1.60)
FWTD581124	16.84 (1.56)	20.14 (1.87)
FWTD59610	5.74 (0.53)	8.78 (0.82)
FWTD59614	8.76 (0.81)	11.90 (1.11)
FWTD59618	11.78 (1.09)	15.03 (1.40)
FWTD59620	14.80 (1.37)	18.15 (1.69)
FWTD59624	17.82 (1.66)	21.27 (1.98)

Sash-Set Frenchwood® Patio Door Sidelight Transom & Transom Area Specifications

Transom Number	Glass Area Sq. Ft./ (m ²)	Overall Transom Area Sq. Ft./ (m ²)
FWSLTD1310	0.15 (0.01)	1.11 (0.10)
FWSLTD1314	0.33 (0.03)	1.51 (0.14)
FWSLTD1318	0.51 (0.05)	1.90 (0.18)
FWSLTD1320	0.69 (0.06)	2.30 (0.21)
FWSLTD1324	0.86 (0.08)	2.70 (0.25)
FWSLTD1710	0.25 (0.02)	1.43 (0.13)
FWSLTD1714	0.54 (0.05)	1.93 (0.18)
FWSLTD1718	0.82 (0.08)	2.44 (0.23)
FWSLTD1720	1.11 (0.10)	2.95 (0.27)
FWSLTD1724	1.40 (0.13)	3.45 (0.32)
FWTD-1-2110	0.30 (0.03)	1.88 (0.17)
FWTD-1-2114	0.66 (0.06)	2.55 (0.24)
FWTD-1-2118	1.02 (0.09)	3.22 (0.30)
FWTD-1-2120	1.38 (0.13)	3.89 (0.36)
FWTD-1-2124	1.73 (0.16)	4.56 (0.42)
FWTD-1-2710	0.45 (0.04)	2.35 (0.22)
FWTD-1-2714	0.97 (0.09)	3.19 (0.30)
FWTD-1-2718	1.49 (0.14)	4.02 (0.37)
FWTD-1-2720	2.02 (0.19)	4.86 (0.45)
FWTD-1-2724	2.54 (0.24)	5.69 (0.53)
FWTD-1-2910	0.49 (0.05)	2.51 (0.23)
FWTD-1-2914	1.07 (0.10)	3.40 (0.32)
FWTD-1-2918	1.65 (0.15)	4.29 (0.40)
FWTD-1-2920	2.23 (0.21)	5.18 (0.48)
FWTD-1-2924	2.81 (0.26)	6.07 (0.56)
FWTD-1-3110	0.59 (0.05)	2.82 (0.26)
FWTD-1-3114	1.28 (0.12)	3.82 (0.35)
FWTD-1-3118	1.97 (0.18)	4.83 (0.45)
FWTD-1-3120	2.66 (0.25)	5.83 (0.54)
FWTD-1-3124	3.35 (0.31)	6.83 (0.63)
FWTD-1-3310	0.64 (0.06)	2.98 (0.28)
FWTD-1-3314	1.38 (0.13)	4.03 (0.37)

Direct-Set Frenchwood® Patio Door Sidelight Transom & Transom Area Specifications (continued)

Transom Number	Glass Area Sq. Ft./ (m ²)	Overall Transom Area Sq. Ft./ (m ²)
FWTD56424	11.73 (1.09)	14.24 (1.32)
FWTD57010	4.20 (0.39)	6.50 (0.60)
FWTD57014	6.41 (0.60)	8.82 (0.82)
FWTD57018	8.62 (0.80)	11.13 (1.03)
FWTD57020	10.83 (1.01)	13.44 (1.25)
FWTD57024	13.04 (1.21)	15.75 (1.46)
FWTD571110	4.79 (0.44)	7.38 (0.69)
FWTD571114	7.31 (0.68)	10.00 (0.93)
FWTD571118	9.83 (0.91)	12.62 (1.17)
FWTD571120	12.35 (1.15)	15.24 (1.42)

Frenchwood® Patio Door Sidelight Area Specifications

Transom/Sidelight Number	Glass Area Sq. Ft./ (m ²)	Overall Sidelight Area Sq. Ft./ (m ²)
FWSLD1368	2.82 (0.26)	7.87 (0.73)
FWSLD13611	2.95 (0.27)	8.15 (0.76)
FWSLD1380	3.53 (0.33)	9.45 (0.88)
FWSLD13100	4.60 (0.43)	11.83 (1.10)
FWSLD1768	4.58 (0.43)	10.08 (0.94)
FWSLD17611	4.79 (0.44)	10.44 (0.97)
FWSLD1780	5.74 (0.53)	12.10 (1.12)
FWSLD17100	7.47 (0.69)	15.14 (1.41)

- Dimensions in parentheses are in square meters.

continued on next page

**Sash-Set Frenchwood® Patio Door Sidelight
Transom & Transom Area Specifications** (continued)

Transom Number	Glass Area Sq. Ft./ (m ²)	Overall Transom Area Sq. Ft./ (m ²)
FWTD-1-3318	2.13 (0.20)	5.09 (0.47)
FWTD-1-3320	2.88 (0.27)	6.15 (0.57)
FWTD-1-3324	3.62 (0.34)	7.21 (0.67)
FWTD-1-4010	0.85 (0.08)	3.69 (0.34)
FWTD-2-4010	0.61 (0.06)	3.69 (0.34)
FWTD-1-4014	1.85 (0.17)	5.00 (0.46)
FWTD-2-4014	1.32 (0.12)	5.00 (0.46)
FWTD-1-4018	2.85 (0.26)	6.32 (0.59)
FWTD-2-4018	2.04 (0.19)	6.32 (0.59)
FWTD-1-4020	3.85 (0.36)	7.63 (0.71)
FWTD-2-4020	2.75 (0.26)	7.63 (0.71)
FWTD-1-4024	4.86 (0.45)	8.94 (0.83)
FWTD-2-4024	3.47 (0.32)	8.94 (0.83)
FWTD-1-5010	1.14 (0.11)	4.63 (0.43)
FWTD-2-5010	0.89 (0.08)	4.63 (0.43)
FWTD-1-5014	2.47 (0.23)	6.27 (0.58)
FWTD-2-5014	1.94 (0.18)	6.27 (0.58)
FWTD-1-5018	3.80 (0.35)	7.92 (0.74)
FWTD-2-5018	2.99 (0.28)	7.92 (0.74)
FWTD-1-5020	5.14 (0.48)	9.57 (0.89)
FWTD-2-5020	4.04 (0.38)	9.57 (0.89)
FWTD-1-5024	6.47 (0.60)	11.21 (1.04)
FWTD-2-5024	5.09 (0.47)	11.21 (1.04)
FWTD-1-5410	1.23 (0.11)	4.94 (0.46)
FWTD-2-5410	0.99 (0.09)	4.94 (0.46)
FWTD-1-5414	2.68 (0.25)	6.70 (0.62)
FWTD-2-5414	2.15 (0.20)	6.70 (0.62)
FWTD-1-5418	4.12 (0.38)	8.46 (0.79)
FWTD-2-5418	3.31 (0.31)	8.46 (0.79)
FWTD-1-5420	5.57 (0.52)	10.21 (0.95)
FWTD-2-5420	4.47 (0.42)	10.21 (0.95)
FWTD-1-5424	7.01 (0.65)	11.97 (1.11)
FWTD-2-5424	5.63 (0.52)	11.97 (1.11)
FWTD-1-6010	1.42 (0.13)	5.57 (0.52)
FWTD-2-6010	1.18 (0.11)	5.57 (0.52)
FWTD-1-6014	3.09 (0.29)	7.55 (0.70)
FWTD-2-6014	2.56 (0.24)	7.55 (0.70)
FWTD-1-6018	4.75 (0.44)	9.52 (0.88)
FWTD-2-6018	3.94 (0.37)	9.52 (0.88)
FWTD-1-6020	6.42 (0.60)	11.50 (1.07)
FWTD-2-6020	5.32 (0.49)	11.50 (1.07)
FWTD-1-6024	8.09 (0.75)	13.48 (1.25)
FWTD-2-6024	6.70 (0.62)	13.48 (1.25)
FWTD-1-6410	1.51 (0.14)	5.88 (0.55)
FWTD-2-6410	1.27 (0.12)	5.88 (0.55)
FWTD-1-6414	3.29 (0.31)	7.97 (0.74)
FWTD-2-6414	2.76 (0.26)	7.97 (0.74)
FWTD-1-6418	5.07 (0.47)	10.06 (0.93)
FWTD-2-6418	4.26 (0.40)	10.06 (0.93)
FWTD-1-6420	6.85 (0.64)	12.15 (1.13)
FWTD-2-6420	5.75 (0.53)	12.15 (1.13)
FWTD-1-6424	8.63 (0.80)	14.24 (1.32)
FWTD-2-6424	7.24 (0.67)	14.24 (1.32)
FWTD-1-7010	1.70 (0.16)	6.50 (0.60)
FWTD-1-7014	3.70 (0.34)	8.82 (0.82)
FWTD-1-7018	5.71 (0.53)	11.13 (1.03)
FWTD-1-7020	7.71 (0.72)	13.44 (1.25)
FWTD-1-7024	9.71 (0.90)	15.75 (1.46)
FWTD-1-71110	1.97 (0.18)	7.38 (0.69)
FWTD-3-71110	1.48 (0.14)	7.38 (0.69)

Transom Number	Glass Area Sq. Ft./ (m ²)	Overall Transom Area Sq. Ft./ (m ²)
FWTD-1-71114	4.28 (0.40)	10.00 (0.93)
FWTD-3-71114	3.22 (0.30)	10.00 (0.93)
FWTD-1-71118	6.59 (0.61)	12.62 (1.17)
FWTD-3-71118	4.95 (0.46)	12.62 (1.17)
FWTD-1-71120	8.90 (0.83)	15.24 (1.42)
FWTD-3-71120	6.69 (0.62)	15.24 (1.42)
FWTD-1-71124	11.21 (1.04)	17.87 (1.66)
FWTD-3-71124	8.43 (0.78)	17.87 (1.66)
FWTD-1-8010	1.99 (0.18)	7.44 (0.69)
FWTD-1-8014	4.32 (0.40)	10.09 (0.94)
FWTD-1-8018	6.66 (0.62)	12.73 (1.18)
FWTD-1-8020	8.99 (0.84)	15.38 (1.43)
FWTD-1-8024	11.32 (1.05)	18.02 (1.67)
FWTD-1-81110	2.25 (0.21)	8.31 (0.77)
FWTD-3-81110	1.76 (0.16)	8.31 (0.77)
FWTD-1-81114	4.90 (0.46)	11.27 (1.05)
FWTD-3-81114	3.83 (0.36)	11.27 (1.05)

Transom Number	Glass Area Sq. Ft./ (m ²)	Overall Transom Area Sq. Ft./ (m ²)
FWTD-1-81118	7.54 (0.70)	14.22 (1.32)
FWTD-3-81118	5.90 (0.55)	14.22 (1.32)
FWTD-1-81120	10.18 (0.95)	17.18 (1.60)
FWTD-3-81120	7.97 (0.74)	17.18 (1.60)
FWTD-1-81124	12.83 (1.19)	20.14 (1.87)
FWTD-3-81124	10.05 (0.93)	20.14 (1.87)
FWTD-1-9610	2.39 (0.22)	8.78 (0.82)
FWTD-3-9610	1.91 (0.18)	8.78 (0.82)
FWTD-1-9614	5.20 (0.48)	11.90 (1.11)
FWTD-3-9614	4.14 (0.38)	11.90 (1.11)
FWTD-1-9618	8.01 (0.74)	15.03 (1.40)
FWTD-3-9618	6.38 (0.59)	15.03 (1.40)
FWTD-1-9620	10.83 (1.01)	18.15 (1.69)
FWTD-3-9620	8.62 (0.80)	18.15 (1.69)
FWTD-1-9624	13.64 (1.27)	21.27 (1.98)
FWTD-3-9624	10.85 (1.01)	21.27 (1.98)

• Dimensions in parentheses are in square meters.

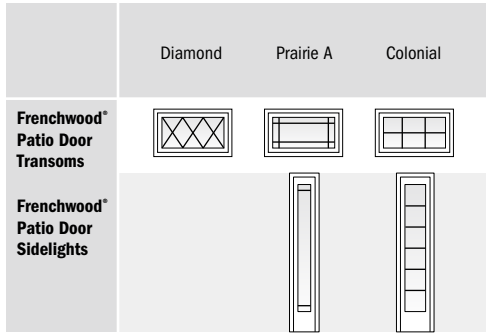
Venting Transom Window Opening and Area Specifications

Window Number	Clear Opening in Full Open Position			Glass Area Sq. Ft./ (m ²)	Vent Sq. Ft./ (m ²)	Top of Subfloor to Top of Inside Sill Stop Inches/ (mm)	Overall Window Area Sq. Ft./ (m ²)
	Clear Opening Sq. Ft./ (m ²)	Width Inches/ (mm)	Depth Inches/ (mm)				
ATV2114	0.79 (0.07)	19 3/16" (487)	5 7/8" (149)	1.04 (0.10)	0.79 (0.07)	69 1/2" (1765)	2.56 (0.24)
ATV2714	1.03 (0.10)	25 3/16" (640)	5 7/8" (149)	1.40 (0.13)	1.03 (0.10)	69 1/2" (1765)	3.19 (0.30)
ATV2914	1.11 (0.10)	27 3/16" (691)	5 7/8" (149)	1.52 (0.14)	1.11 (0.10)	69 1/2" (1765)	3.40 (0.32)
ATV3114	1.28 (0.12)	31 3/16" (792)	5 7/8" (149)	1.76 (0.16)	1.28 (0.12)	69 1/2" (1765)	3.83 (0.36)
ATV3314	1.36 (0.13)	33 3/16" (843)	5 7/8" (149)	1.88 (0.17)	1.36 (0.13)	69 1/2" (1765)	4.04 (0.38)
ATV4014	1.73 (0.16)	42 5/16" (1075)	5 7/8" (149)	2.43 (0.23)	1.73 (0.16)	69 1/2" (1765)	5.00 (0.46)
ATV5014	2.22 (0.21)	54 5/16" (1380)	5 7/8" (149)	3.14 (0.29)	2.22 (0.21)	69 1/2" (1765)	6.28 (0.58)
ATV5414	2.39 (0.22)	58 5/16" (1481)	5 7/8" (149)	3.38 (0.31)	2.39 (0.22)	69 1/2" (1765)	6.70 (0.62)
ATV6014	2.71 (0.25)	66 3/16" (1684)	5 7/8" (149)	3.86 (0.36)	2.71 (0.25)	69 1/2" (1765)	7.55 (0.70)
ATV2118	0.79 (0.07)	19 3/16" (487)	5 7/8" (149)	1.53 (0.14)	0.79 (0.07)	65 1/2" (1664)	3.23 (0.30)
ATV2718	1.03 (0.10)	25 3/16" (640)	5 7/8" (149)	2.05 (0.19)	1.03 (0.10)	65 1/2" (1664)	4.03 (0.37)
ATV2918	1.11 (0.10)	27 3/16" (691)	5 7/8" (149)	2.23 (0.21)	1.11 (0.10)	65 1/2" (1664)	4.29 (0.40)
ATV3118	1.28 (0.12)	31 3/16" (792)	5 7/8" (149)	2.58 (0.24)	1.28 (0.12)	65 1/2" (1664)	4.83 (0.45)
ATV3318	1.36 (0.13)	33 3/16" (843)	5 7/8" (149)	2.75 (0.26)	1.36 (0.13)	65 1/2" (1664)	5.10 (0.47)
ATV4018	1.73 (0.16)	42 5/16" (1075)	5 7/8" (149)	3.55 (0.33)	1.73 (0.16)	65 1/2" (1664)	6.32 (0.59)
ATV5018	2.22 (0.21)	54 5/16" (1380)	5 7/8" (149)	4.60 (0.43)	2.22 (0.21)	65 1/2" (1664)	7.92 (0.74)
ATV5418	2.39 (0.22)	58 5/16" (1481)	5 7/8" (149)	4.95 (0.46)	2.39 (0.22)	65 1/2" (1664)	8.46 (0.79)
ATV6018	2.71 (0.25)	66 3/16" (1684)	5 7/8" (149)	5.65 (0.52)	2.71 (0.25)	65 1/2" (1664)	9.53 (0.89)
ATV2120	0.79 (0.07)	19 3/16" (487)	5 7/8" (149)	2.01 (0.19)	0.79 (0.07)	61 1/2" (1562)	3.90 (0.36)
ATV2720	1.03 (0.10)	25 3/16" (640)	5 7/8" (149)	2.71 (0.25)	1.03 (0.10)	61 1/2" (1562)	4.86 (0.45)
ATV2920	1.11 (0.10)	27 3/16" (691)	5 7/8" (149)	2.94 (0.27)	1.11 (0.10)	61 1/2" (1562)	5.19 (0.48)
ATV3120	1.28 (0.12)	31 3/16" (792)	5 7/8" (149)	3.40 (0.32)	1.28 (0.12)	61 1/2" (1562)	5.83 (0.54)
ATV3320	1.36 (0.13)	33 3/16" (843)	5 7/8" (149)	3.63 (0.34)	1.36 (0.13)	61 1/2" (1562)	6.16 (0.57)
ATV4020	1.73 (0.16)	42 5/16" (1075)	5 7/8" (149)	4.68 (0.44)	1.73 (0.16)	61 1/2" (1562)	7.63 (0.71)
ATV5020	2.22 (0.21)	54 5/16" (1380)	5 7/8" (149)	6.06 (0.56)	2.22 (0.21)	61 1/2" (1562)	9.57 (0.89)
ATV5420	2.39 (0.22)	58 5/16" (1481)	5 7/8" (149)	6.53 (0.61)	2.39 (0.22)	61 1/2" (1562)	10.21 (0.95)
ATV6020	2.71 (0.25)	66 3/16" (1684)	5 7/8" (149)	7.45 (0.69)	2.71 (0.25)	61 1/2" (1562)	1.07 (0.10)
ATV2124	0.79 (0.07)	19 3/16" (487)	5 7/8" (149)	2.50 (0.23)	0.79 (0.07)	57 1/2" (1461)	4.57 (0.42)
ATV2724	1.03 (0.10)	25 3/16" (640)	5 7/8" (149)	3.36 (0.31)	1.03 (0.10)	57 1/2" (1461)	5.70 (0.53)
ATV2924	1.11 (0.10)	27 3/16" (691)	5 7/8" (149)	3.64 (0.34)	1.11 (0.10)	57 1/2" (1461)	6.08 (0.56)
ATV3124	1.28 (0.12)	31 3/16" (792)	5 7/8" (149)	4.22 (0.39)	1.28 (0.12)	57 1/2" (1461)	6.84 (0.64)
ATV3324	1.36 (0.13)	33 3/16" (843)	5 7/8" (149)	4.50 (0.42)	1.36 (0.13)	57 1/2" (1461)	7.23 (0.67)
ATV4024	1.73 (0.16)	42 5/16" (1075)	5 7/8" (149)	5.81 (0.54)	1.73 (0.16)	57 1/2" (1461)	8.94 (0.83)
ATV5024	2.22 (0.21)	54 5/16" (1380)	5 7/8" (149)	7.53 (0.70)	2.22 (0.21)	57 1/2" (1461)	11.21 (1.04)
ATV5424	2.39 (0.22)	58 5/16" (1481)	5 7/8" (149)	8.10 (0.75)	2.39 (0.22)	57 1/2" (1461)	11.97 (1.11)
ATV6024	2.71 (0.25)	66 3/16" (1684)	5 7/8" (149)	9.24 (0.86)	2.71 (0.25)	57 1/2" (1461)	13.49 (1.25)

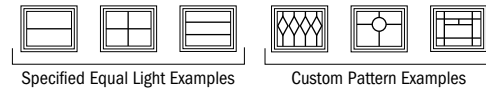
• "Top of Subfloor to Top of Inside Sill Stop" is calculated based upon a structural header height of 6'-10 1/2" (2096).
• Dimensions in parentheses are in millimeters or square meters.

FRENCHWOOD® PATIO DOOR SIDELIGHTS & TRANSOMS

Grille Patterns

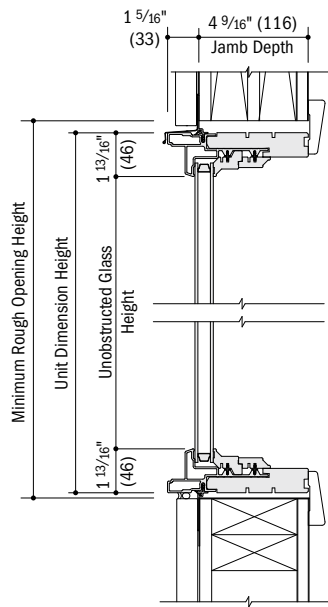


Number of lights and overall pattern varies with window size. Patterns shown may not be available for all sizes. Specified equal light and custom patterns are also available. For more information on divided light, see pages 12-13 or visit andersenwindows.com/grilles.



Direct-Set Frenchwood® Patio Door Sidelight Transom and Transom Details

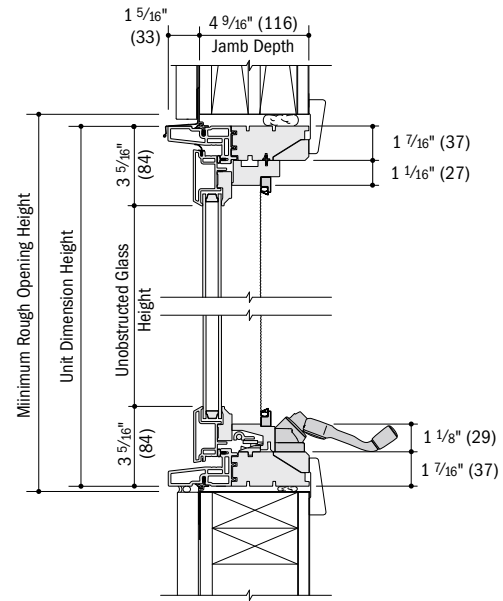
Scale 1 1/2" (38) = 1'-0" (305) – 1:8



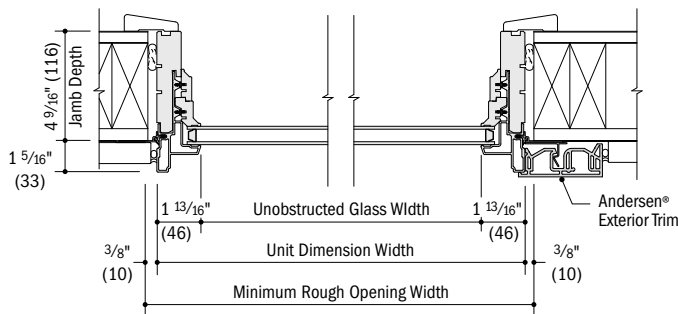
Vertical Section

Venting Transom Window Details

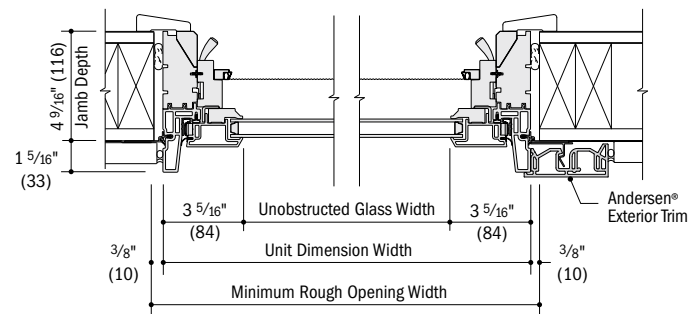
Scale 1 1/2" (38) = 1'-0" (305) – 1:8



Vertical Section



Horizontal Section

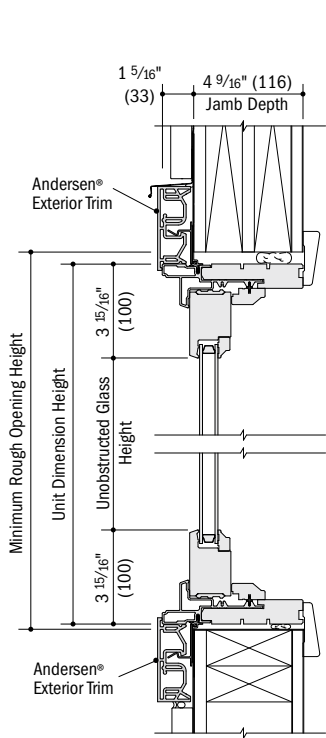


Horizontal Section

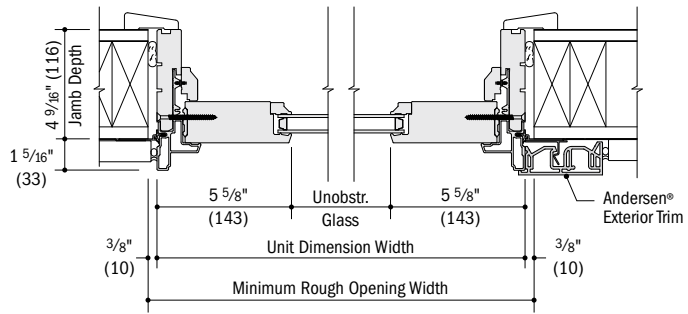
- 4 9/16" (116) jamb depth measurement is from back side of installation flange.
- Light-colored areas are parts included with window. Dark-colored areas are additional Andersen® parts required to complete window assembly as shown.
- Dimensions in parentheses are in millimeters.
- **Rough openings may need to be increased to allow for use of building wraps, flashing, sill panning, brackets, fasteners or other items. See installation information on pages 236-237.**
- Details are for illustration only and are not intended to represent product installation methods or materials. Refer to product installation guides at andersenwindows.com.

Sash-Set Frenchwood® Patio Door Sidelight, Sidelight Transom and Transom Details

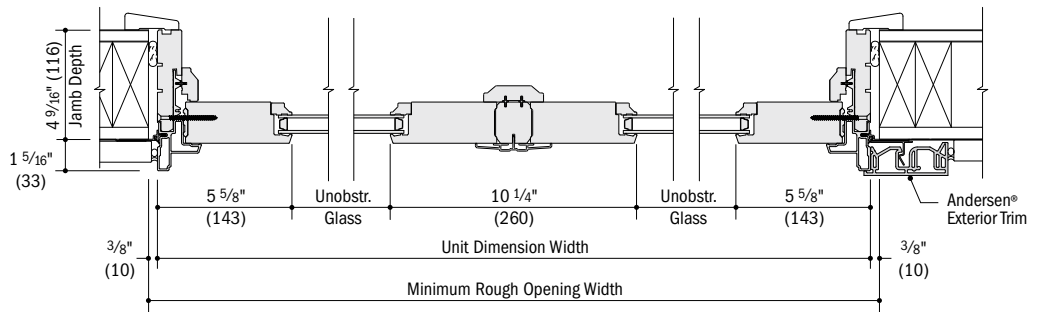
Scale 1 1/2" (38) = 1'-0" (305) – 1:8



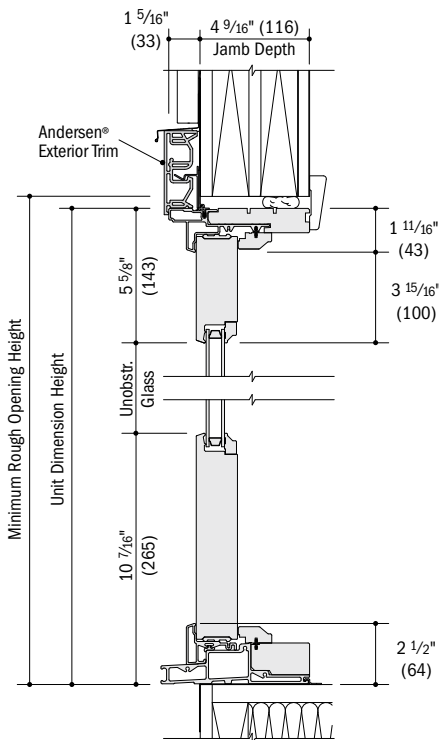
Vertical Section
Sidelight Transom and Transom



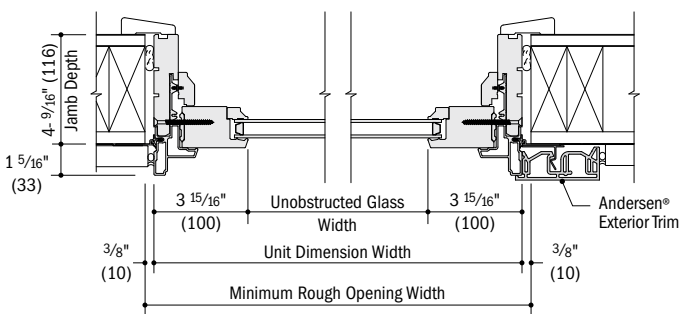
Horizontal Section
Transom



Horizontal Section
Twin Transom



Vertical Section
Sidelight



Horizontal Section
Sidelight and Sidelight Transom

See pages 156-159 for horizontal and vertical joining details.

- 4 9/16" (116) jamb depth measurement is from back side of installation flange.
- Light-colored areas are parts included with window. Dark-colored areas are additional Andersen® parts required to complete window assembly as shown.
- Dimensions in parentheses are in millimeters.
- **Rough openings may need to be increased to allow for use of building wraps, flashing, sill panning, brackets, fasteners or other items. See installation information on pages 236-237.**
- Details are for illustration only and are not intended to represent product installation methods or materials. Refer to product installation guides at andersenwindows.com.

FRENCHWOOD® PATIO DOORS

Vertical (ribbon) 4 9/16" (116) and 6 9/16" (167) LVL Joining Details

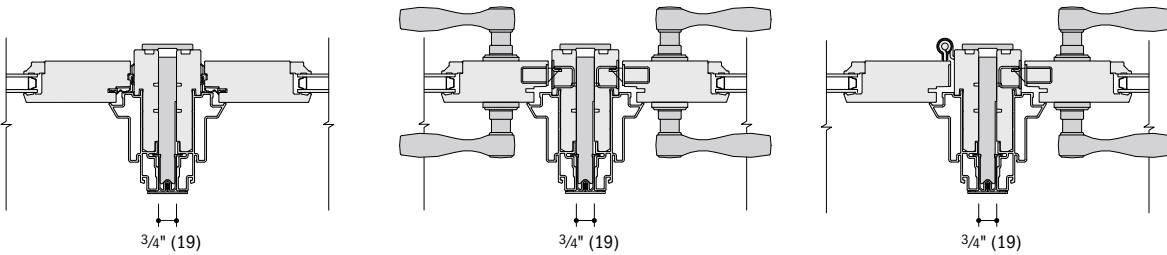
Scale 1 1/2" (38) = 1'-0" (305) – 1:8

Frenchwood® Hinged Inswing Patio Doors

Overall "Door to Door" or "Door to Sidelight" Dimension Width Sum of individual "door to door" or "door to sidelight" widths plus 3/4" (19).

Overall Minimum Rough Opening Width Overall dimension width plus 3/4" (19).

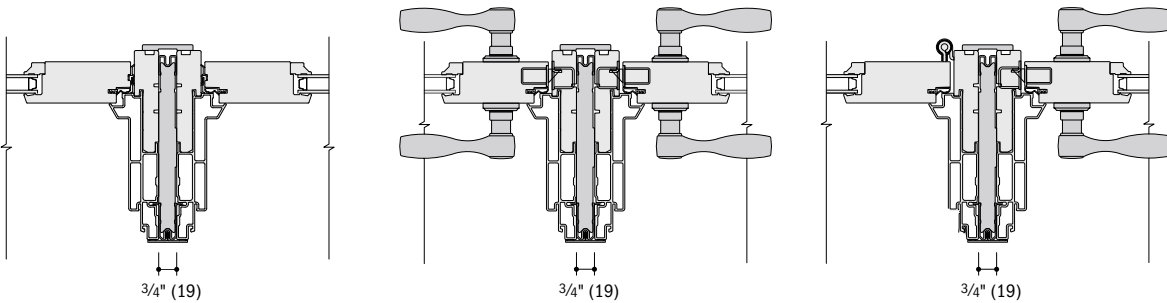
Do not join inswing or outswing doors hinge jamb to hinge jamb.



Stationary Jamb to Stationary Jamb
4 9/16" (116) Jamb Depth

Latch Jamb to Latch Jamb
4 9/16" (116) Jamb Depth

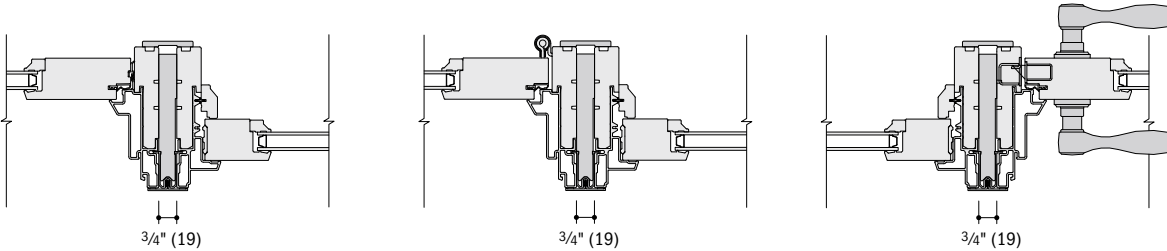
Hinge Jamb to Latch Jamb
4 9/16" (116) Jamb Depth



Stationary Jamb to Stationary Jamb
6 9/16" (167) Jamb Depth

Latch Jamb to Latch Jamb
6 9/16" (167) Jamb Depth

Hinge Jamb to Latch Jamb
6 9/16" (167) Jamb Depth



Stationary Jamb to Sidelight
4 9/16" (116) Jamb Depth

Hinge Jamb to Sidelight
4 9/16" (116) Jamb Depth

Sidelight to Latch Jamb
4 9/16" (116) Jamb Depth

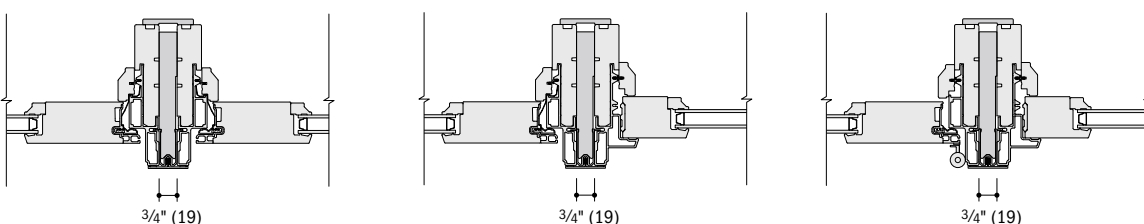
For more joining information, see the combination designs section starting on page 206.

Frenchwood® Hinged Outswing Patio Doors

Overall "Door to Door" or "Door to Sidelight" Dimension Width Sum of individual "door to door" or "door to sidelight" widths plus 3/4" (19).

Overall Minimum Rough Opening Width Overall dimension width plus 3/4" (19).

Do not join inswing or outswing doors hinge jamb to hinge jamb.



Stationary Door to Stationary Door

Stationary Door to Sidelight

Hinge Jamb to Sidelight

- Light-colored areas are parts included with window. Dark-colored areas are additional Andersen® parts required to complete window assembly as shown.
- Dimensions in parentheses are in millimeters.
- **Rough openings may need to be increased to allow for use of building wraps, flashing, sill panning, brackets, fasteners or other items. See installation information on pages 236-237.**
- Details are for illustration only and are not intended to represent product installation methods or materials. Refer to product installation guides at andersenwindows.com.
- Structural performance of any combination is only as high as the lowest structural performance of any individual window or join in the combination.

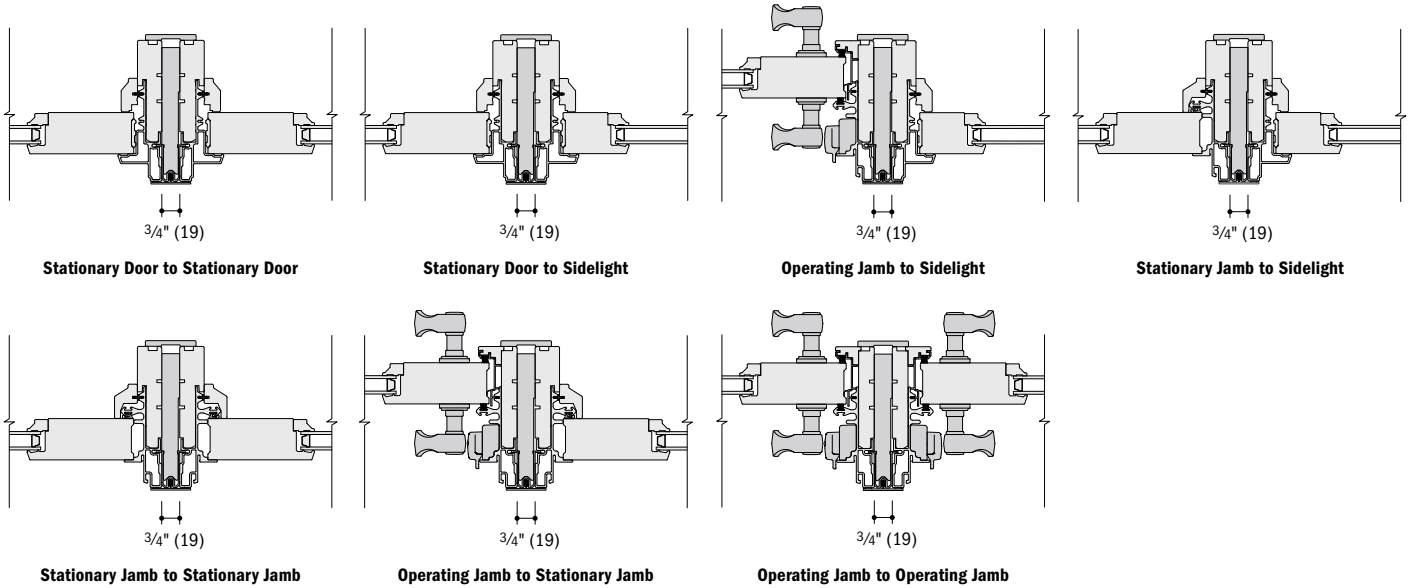
Vertical (ribbon) 4 9/16" (116) LVL Joining Details

Scale 1 1/2" (38) = 1'-0" (305) – 1:8

Frenchwood® Gliding Patio Doors

Overall "Door to Door" or "Door to Sidelight" Dimension Width Sum of individual "door to door" or "door to sidelight" widths plus 3/4" (19).

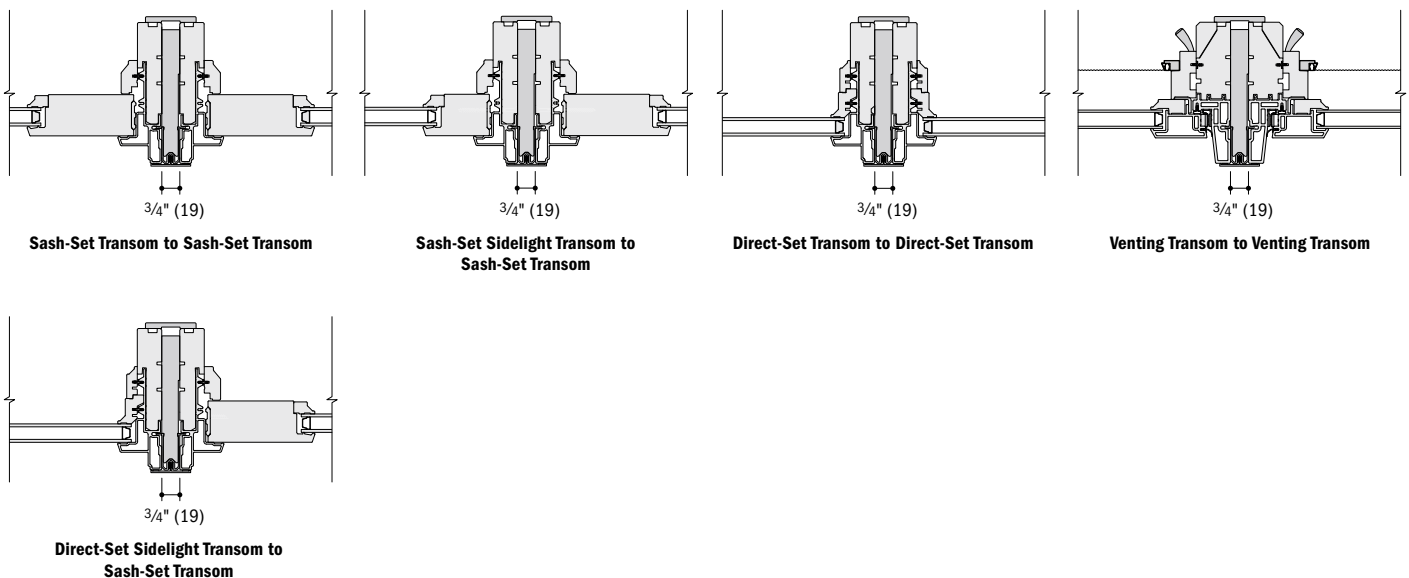
Overall Minimum Rough Opening Width Overall dimension width plus 3/4" (19).



Frenchwood® Patio Door Sidelights, Sidelight Transoms, Transoms and Venting Transom Windows

Overall "Transom to Transom" or "Transom to Sidelight Transom" Dimension Width Sum of individual "transom to transom" or "transom to sidelight transom" widths plus 3/4" (19).

Overall Minimum Rough Opening Width Overall dimension width plus 3/4" (19).

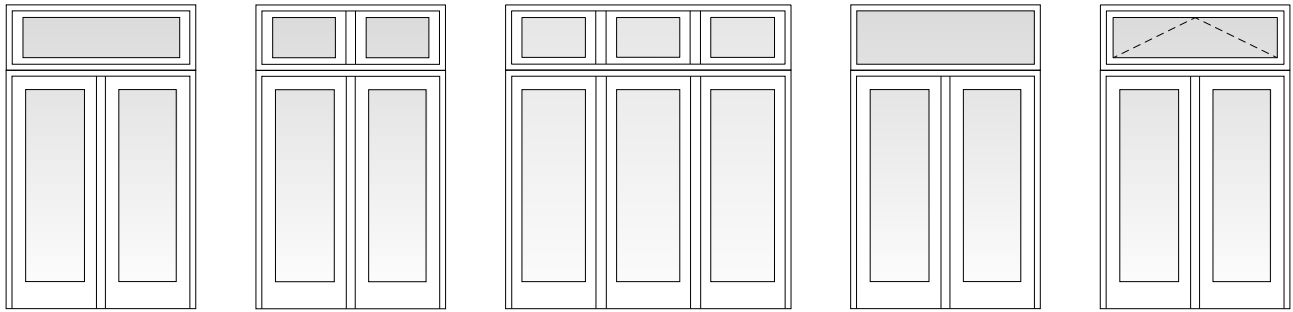


For more joining information, see the combination designs section starting on page 206.

- Light-colored areas are parts included with window. Dark-colored areas are additional Andersen® parts required to complete window assembly as shown.
- Dimensions in parentheses are in millimeters.
- Rough openings may need to be increased to allow for use of building wraps, flashing, sill panning, brackets, fasteners or other items. See installation information on pages 236-237.
- Details are for illustration only and are not intended to represent product installation methods or materials. Refer to product installation guides at andersenwindows.com.
- Structural performance of any combination is only as high as the lowest structural performance of any individual window or join in the combination.

FRENCHWOOD® PATIO DOORS

Transom Options



**Sash-Set
Frenchwood® Patio Door Transom**

**Sash-Set
Frenchwood® Patio Door
Twin Transom**

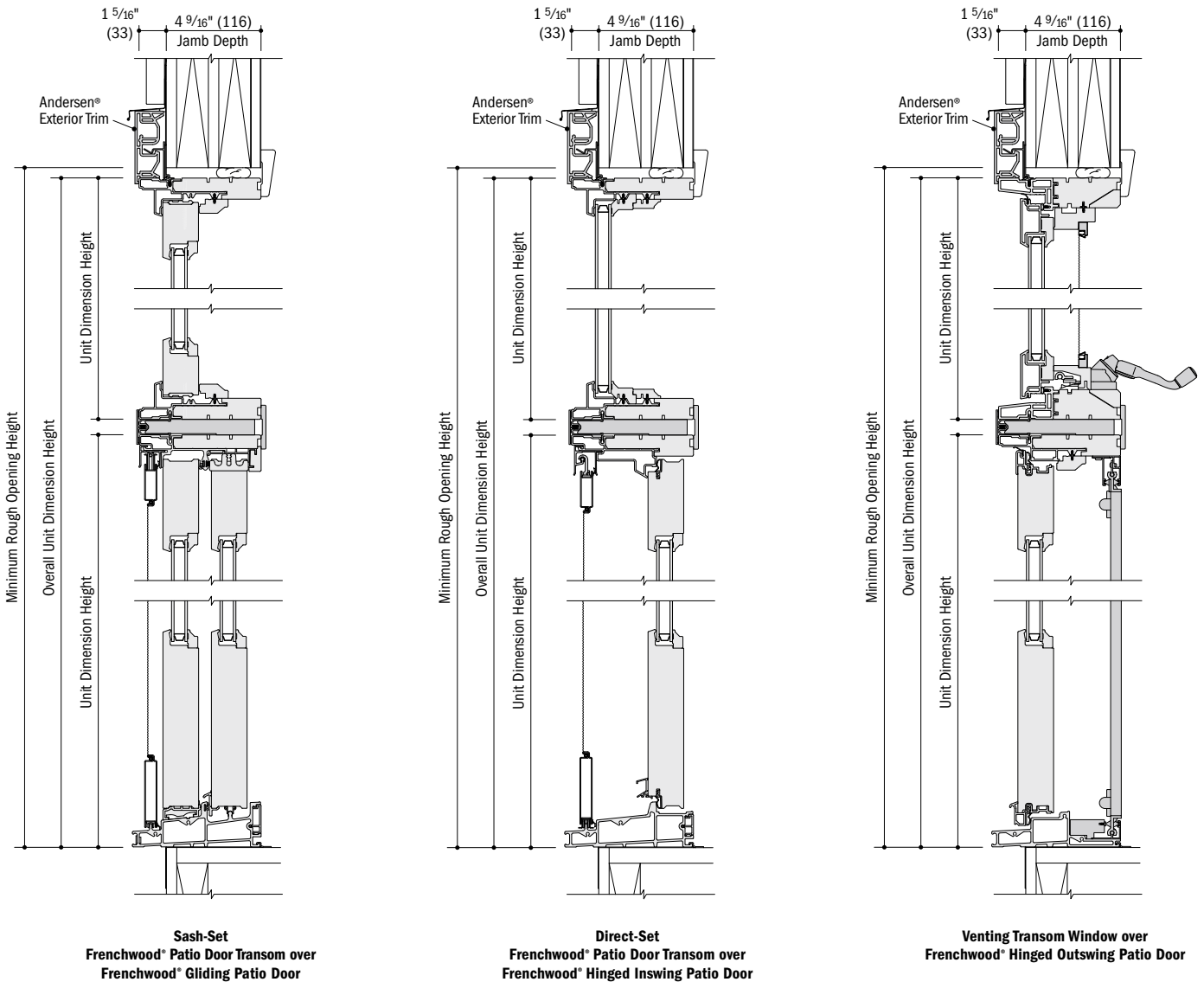
**Sash-Set
Frenchwood® Patio Door
Triple Transom**

**Direct-Set
Frenchwood® Patio Door
Transom**

Venting Transom Window

Horizontal (stack) 4 9/16" (116) LVL Joining Details

Scale 1 1/2" (38) = 1'-0" (305) – 1:8



**Sash-Set
Frenchwood® Patio Door Transom over
Frenchwood® Gliding Patio Door**

**Direct-Set
Frenchwood® Patio Door Transom over
Frenchwood® Hinged Inswing Patio Door**

**Venting Transom Window over
Frenchwood® Hinged Outswing Patio Door**

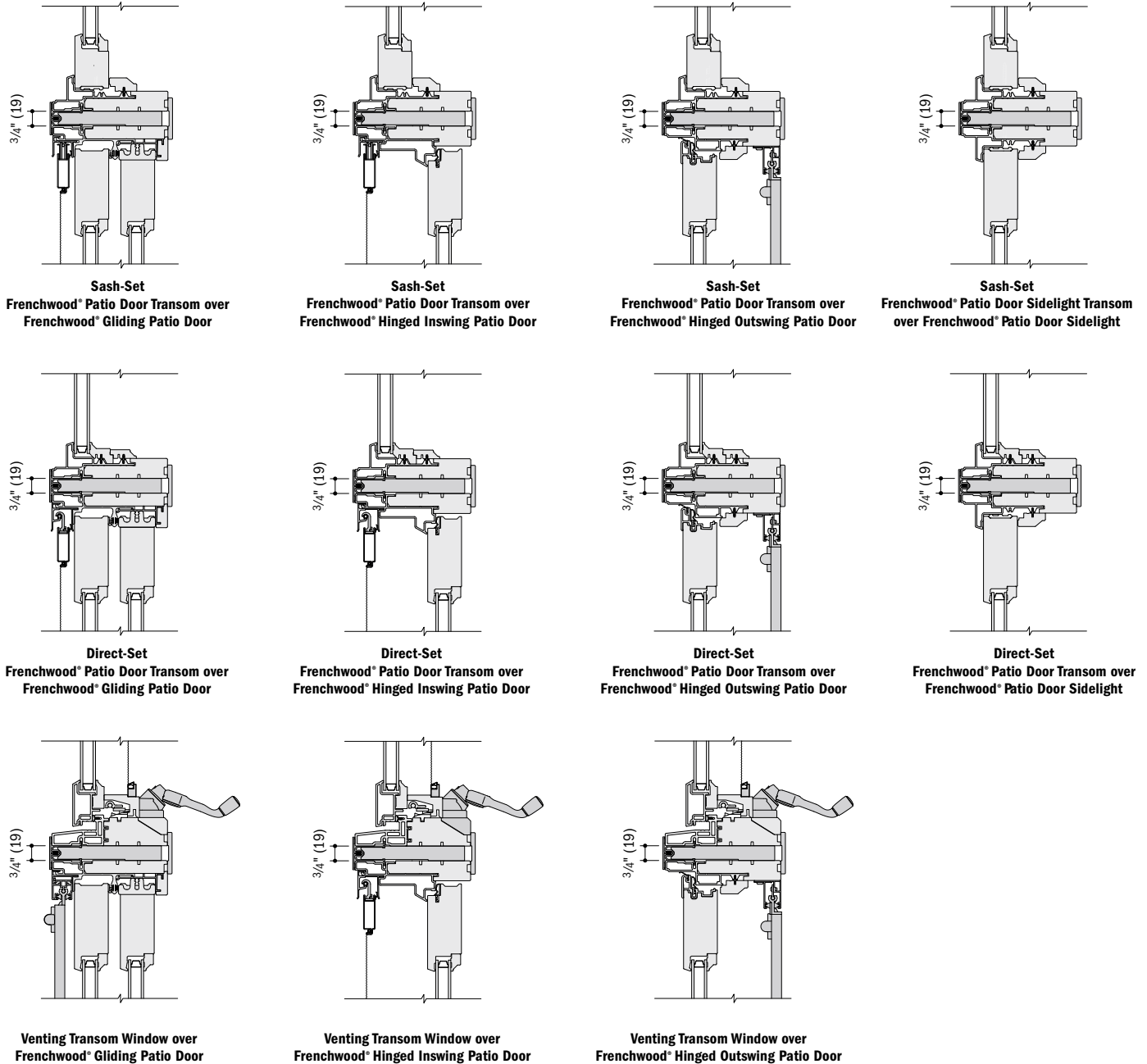
- Light-colored areas are parts included with window. Dark-colored areas are additional Andersen® parts required to complete window assembly as shown.
- Dimensions in parentheses are in millimeters.
- **Rough openings may need to be increased to allow for use of building wraps, flashing, sill panning, brackets, fasteners or other items. See installation information on pages 236-237.**
- Details are for illustration only and are not intended to represent product installation methods or materials. Refer to product installation guides at andersenwindows.com.
- Structural performance of any combination is only as high as the lowest structural performance of any individual window or join in the combination.

Horizontal (stack) 4 9/16" (116) LVL Joining Details

Scale 1 1/2" (38) = 1'-0" (305) – 1:8

Overall "Transom over Door" or "Transom over Sidelight" Dimension Height Sum of individual "transom over door" or "transom over sidelight" heights plus 3/4" (19).

Overall Minimum Rough Opening Height Overall dimension height plus 1/2" (13).



For more joining information, see the combination designs section starting on page 206.

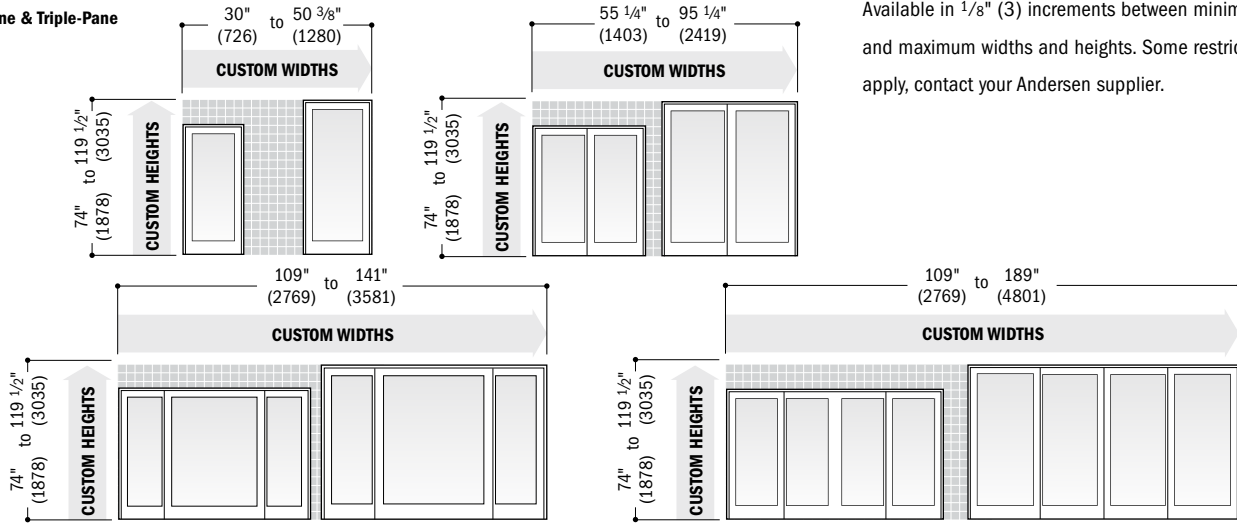
- Light-colored areas are parts included with window. Dark-colored areas are additional Andersen® parts required to complete window assembly as shown.
- Dimensions in parentheses are in millimeters.
- Rough openings may need to be increased to allow for use of building wraps, flashing, sill panning, brackets, fasteners or other items. See installation information on pages 236-237.
- Details are for illustration only and are not intended to represent product installation methods or materials. Refer to product installation guides at andersenwindows.com.
- Structural performance of any combination is only as high as the lowest structural performance of any individual window or join in the combination.

FRENCHWOOD® PATIO DOORS

Custom Sizes & Specification Formulas

Frenchwood® Gliding Patio Doors

Dual-Pane & Triple-Pane

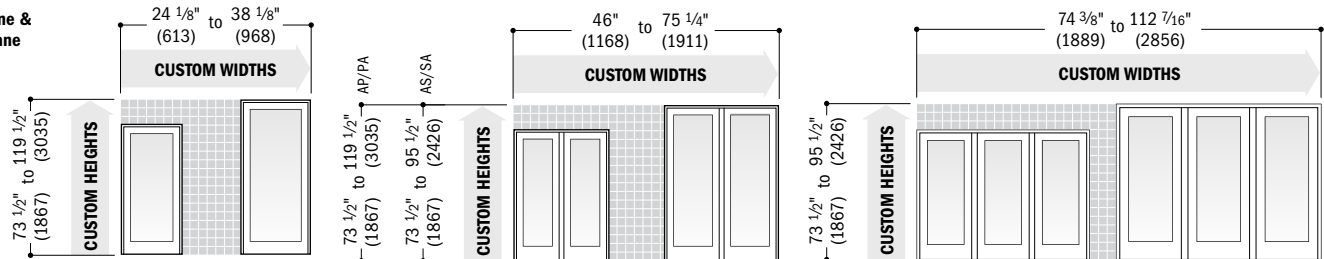


Available in 1/8" (3) increments between minimum and maximum widths and heights. Some restrictions apply, contact your Andersen supplier.

Clear Opening	Two-Panel	Three-Panel, one panel open	Four-Panel, two panels open	Minimum R.O.	Single-Panel	Two-Panel	Three-Panel	Four-Panel	Unobstr. Glass	Single-Panel	Two-Panel	Three-Panel	Four-Panel
	$Width = (door\ width + 2) - 8.368'' (213)$ $Height = door\ height - 3.927'' (98)$	$Width = (door\ width + 4) - 7.993'' (203)$ $Height = door\ height - 3.927'' (100)$	$Width = (door\ width + 2) - 15.458'' (393)$ $Height = door\ height - 3.927'' (100)$		$Width = door\ width + 3/4'' (19)$ $Height = door\ height + 1/2'' (13)$	$Width = door\ width + 3/4'' (19)$ $Height = door\ height + 1/2'' (13)$	$Width = door\ width + 1'' (25)$ $Height = door\ height + 1/2'' (13)$	$Width = door\ width + 1'' (25)$ $Height = door\ height + 1/2'' (13)$		$Width = door\ width - 11.22'' (285)$ $Height = door\ height - 16.06'' (408)$	$Width = door\ width - 17.00'' (432)$ $Height = door\ height - 16.06'' (408)$	$Width = door\ width - 22.78'' (579)$ $Height = door\ height - 16.06'' (408)$	$Width = door\ width - 11.22'' (285)$ $Height = door\ height - 16.06'' (408)$

Frenchwood® Hinged Inswing Patio Doors

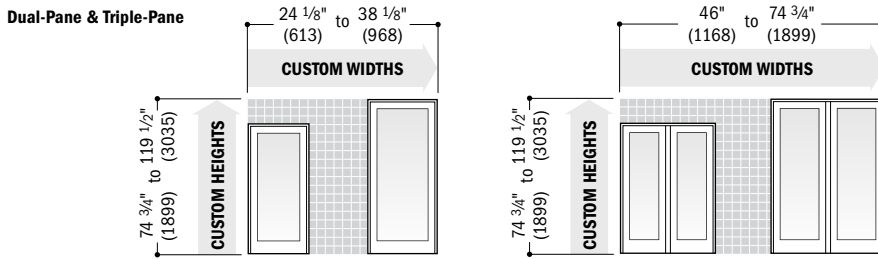
Dual-Pane & Triple-Pane



Clear Opening	Single-Panel	Two-Panel, two panels open	Two-Panel, one panel open	Three-Panel, one panel open	Minimum R.O.	Single-Panel	Two-Panel	Three-Panel	Unobstr. Glass	Single-Panel	Two-Panel	Three-Panel
	$Height = door\ height - 4.232'' (107)$	$Width = door\ width - 5.799'' (147)$	$Width = door\ width - 7.477'' (190)$	$Width = (door\ width - 8.992'' (228)) + 2$		$Width = door\ width + 3/4'' (19)$ $Height = door\ height + 1/2'' (13)$	$Width = door\ width + 3/4'' (19)$ $Height = door\ height + 1/2'' (13)$	$Width = door\ width + 3/4'' (19)$ $Height = door\ height + 1/2'' (13)$		$Width = door\ width - 11.22'' (285)$ $Height = door\ height - 16.06'' (408)$	$Width = door\ width - 21.50'' (546)$ $Height = door\ height - 16.06'' (408)$	$Width = door\ width - 31.784'' (807)$ $Height = door\ height - 16.06'' (408)$

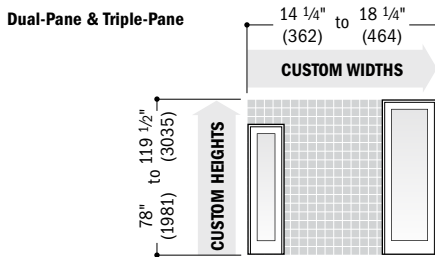
• Dimensions in parentheses are in millimeters.
 • **Clear Opening** formulas provide dimensions for determining area available for egress. Vent opening, or area available for passage of air, is equal to clear opening. **Minimum R.O.** (minimum rough opening) formulas provide minimum rough opening width and height dimensions. **Unobstr. Glass** (unobstructed glass) formulas provide dimensions for determining area available for passage of light.

Frenchwood® Hinged Outswing Patio Doors



Clear Opening	Minimum R.O.	Unobstr. Glass
<p>Height = door height - 3.418" (87)</p> <p>Single-Panel Width = door width - 5.04" (128)</p> <p>Two-Panel, two panels open Width = door width - 6.69" (170)</p> <p>Two-Panel, one panel open Width = (door width - 9.959" (253)) ÷ 2</p>	<p>Single-Panel Width = door width + 3/4" (19) Height = door height + 1/2" (13)</p> <p>Two-Panel Width = door + 3/4" (19) Height = door + 1/2" (13)</p>	<p>Single-Panel Width = door width - 11.22" (285) Height = door height - 16.06" (408)</p> <p>Two-Panel Width = door width - 21.50" (546) Height = door height - 16.06" (408)</p>

Frenchwood® Patio Door Sidelights



Minimum R.O.	Unobstr. Glass
<p>Sidelight Width = sidelight width + 3/4" (19) Height = sidelight height + 1/2" (13)</p>	<p>Sidelight Width = sidelight width - 7.84" (199) Height = sidelight height - 16.06" (408)</p>

Custom-Size Frenchwood® Patio Door Shipping Information

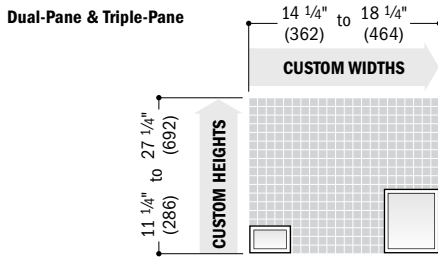
	DOOR PRODUCT TYPE & SIZE		FACTORY-ASSEMBLED	UNASSEMBLED with Assembled Frame <small>Panels ship separately</small>	UNASSEMBLED with Unassembled Frame <small>Panels ship separately</small>
8' TALL OR LESS	1-panel	gliding	✓		
	1-panel	hinged	✓		
	2-panel	gliding	✓		✓
	2-panel	hinged	✓		
	3- or 4-panel	gliding			✓
OVER 8' TALL	1-panel	gliding	✓		
	1-panel	hinged	✓		
	2-panel	gliding			✓
	2-panel*	hinged		✓	
	3- or 4-panel	gliding			✓

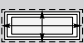

*Two-panel patio doors over 8' (2438) tall are only available active/passive or passive/active (AP/PA).

• Dimensions in parentheses are in millimeters.
• **Clear Opening** formulas provide dimensions for determining area available for egress. Vent opening, or area available for passage of air, is equal to clear opening. **Minimum R.O.** (minimum rough opening) formulas provide minimum rough opening width and height dimensions. **Unobstr. Glass** (unobstructed glass) formulas provide dimensions for determining area available for passage of light.

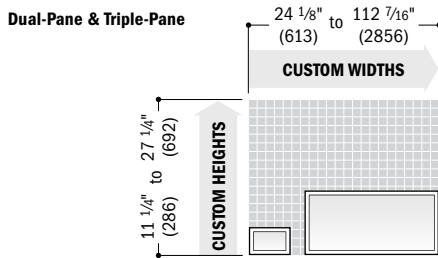
FRENCHWOOD® PATIO DOORS

Frenchwood® Patio Door Sidelight Transoms

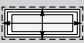



Minimum R.O.	Sash-Set Sidelight Transom	Unobstr. Glass	Sash-Set Sidelight Transom
	Width = transom width + 3/4" (19) Height = transom height + 3/4" (19)		Width = transom width - 7.84" (199) Height = transom height - 7.84" (199)
	Direct-Set Sidelight Transom Width = transom width + 3/4" (19) Height = transom height + 3/4" (19)		Direct-Set Sidelight Transom Width = transom width - 3.66" (93) Height = transom height - 3.66" (93)

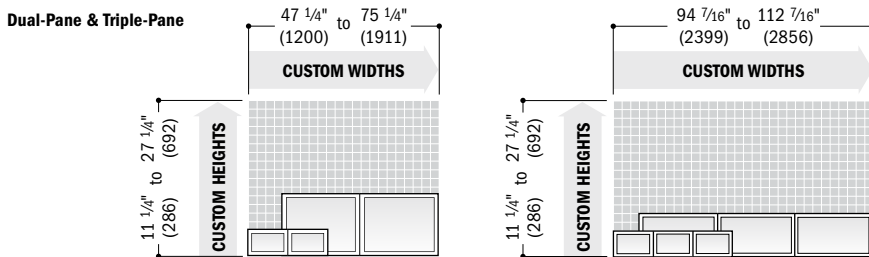
Frenchwood® Patio Door Transoms





For custom sizes and specification formulas for venting transom windows, see page 69.

Minimum R.O.	Sash-Set Transom	Unobstr. Glass	Sash-Set Transom
	Width = transom width + 3/4" (19) Height = transom height + 3/4" (19)		Width = transom width - 11.22" (285) Height = transom height - 7.84" (199)
	Direct-Set Transom Width = transom width + 3/4" (19) Height = transom height + 3/4" (19)		Direct-Set Transom Width = transom width - 3.66" (93) Height = transom height - 3.66" (93)

Frenchwood® Patio Door Twin and Triple Transoms



Minimum R.O.	Twin	Unobstr. Glass	Twin
	Width = transom width + 3/4" (19) Height = transom height + 3/4" (19)		Width = transom width - 21.5" (546) Height = transom height - 7.84" (199)
	Triple Width = transom width + 3/4" (19) Height = transom height + 3/4" (19)		Triple Width = transom width - 31.78" (807) Height = transom height - 7.84" (199)

• Dimensions in parentheses are in millimeters.
 • **Minimum R.O.** (minimum rough opening) formulas provide minimum rough opening width and height dimensions. **Unobstr. Glass** (unobstructed glass) formulas provide dimensions for determining area available for passage of light.



COMPLEMENTARY CURVED TOP PATIO DOORS

CUSTOM SIZING
in 1/8" (3) increments



A-Series
Complementary
Curved Top Patio Doors

SECTION REFERENCE

Springline™ Patio Doors

Door Dimensions & Specifications	165
Door Details	166-167

Arch Patio Doors

Door & Sidelight Dimensions & Specifications	168-169
Sidelight Details & Joining Details	170
Door Details	171-172

Product Performance	214
Warranty	238-240

Dimensions in parentheses are in millimeters.

COMPLEMENTARY CURVED TOP PATIO DOORS

FEATURES

Frame

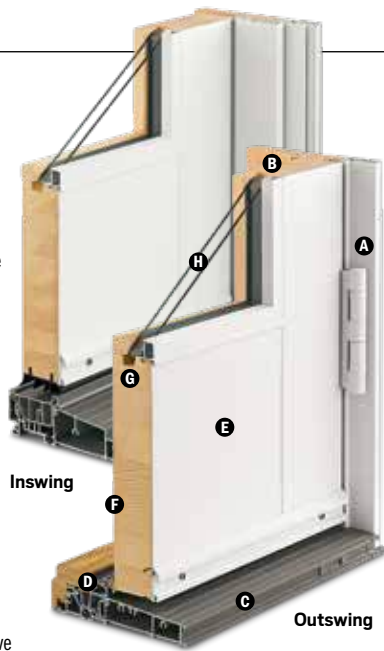
A Heavy-duty extruded aluminum cladding protects the frame exterior, providing low-maintenance durability. Standard cladding finish meets AAMA 2604. An optional finish that meets the AAMA 2605 standard is also available.

Installation flange extends 1 1/2" (38) around three sides of the unit to help properly position the unit in the opening. Installation clips are standard for increased structural anchoring to building members. Mounted around the frame perimeter, the clips rotate into position and can be bent into place against the framing members to suit all jamb conditions.

B Wood frame members are treated with a water-repellent wood preservative for long-lasting protection and performance. Radii are made of laminated continuous veneers. Lineal components are engineered wood with a pine core.

C Extruded aluminum sill is thermally broken and available in painted bronze or gray finish. Innovative sill design provides superior water management. Standard outswing sills have an oak cap. Maple or mahogany are optional. Inswing sills have an interior wood trim strip to match the interior finish.

D One-piece compression weatherstripping at the frame sides and head protects against air and water infiltration. Flexible thermoplastic sweep is featured at the bottom of the panel on inswing units. Outswing doors also feature a polypropylene rain skirt at the panel sides and top for added protection.



Panel

E Heavy-duty extruded aluminum cladding protects the panel exterior, providing low-maintenance durability.

F Panel interior surfaces are unfinished wood veneers. Available species are pine, maple, oak, alder, cherry, mahogany,** hickory, walnut, along with mixed and vertical grain douglas fir. Available prefinished in all interior color options.

G Silicone glazing bead combined with two-sided silicone tape provides superior weathertightness.

Glass

H High-Performance glass options include:

- Low-E4® tempered glass
- Low-E4 HeatLock® tempered glass
- Low-E4 Sun tempered glass
- Low-E4 SmartSun™ tempered glass
- Low-E4 SmartSun HeatLock tempered glass

Additional glass options are available. Contact your Andersen supplier.

A removable translucent film helps shield the glass from damage during delivery and construction and also simplifies finishing at the jobsite.

Hardware

Multi-Point Locking System/Expanded Offering

The complementary hinged patio door has a multi-point locking system with a hook bolt above and below the center deadbolt. This system provides a weathertight seal and enhanced security. Mix-and-match style and finish options are available to get just the right look inside and out. For hardware style and finish options, see pages 10-11.

Hinges

Ball-bearing hinges are standard on outswing patio doors and are available in finishes that coordinate with hardware trim sets.

Adjustable hinges are standard on inswing patio doors and have ball-bearing pivots for smooth, frictionless movement and feature easy horizontal and vertical adjustments, plus a quick-release feature for easy panel removal. This release feature is ideal for transporting large units up stairs or to other hard-to-reach areas.

Gold dust finish is standard on wood interior doors. For units with a prefinished White interior, white finish hinges are standard. Also available in finishes that coordinate with most hardware.

Operation

Inswing and outswing units are available. Choose left-hinged, right-hinged or stationary as viewed from the exterior.

ACCESSORIES Sold Separately

Frame

Extension Jamb

Inswing and outswing standard jamb depth is 4 9/16" (116). Inswing is also available in a 6 9/16" (167) jamb depth. Interior extension jamb are available in 1/16" (1.5) increments between 4 9/16" (116) and 7 1/8" (181). Additional dimensions are available, contact your Andersen supplier.

Interior extension jamb on inswing units will restrict the full opening of the door.

Casings

Curved interior casings are available in the same profiles as other Andersen® products. Curved exterior aluminum and wood casings are available in matching radii and a variety of profiles. See page 73.

Hardware

Exterior Keyed Lock



A six-pin key cylinder lock is available for all patio doors in styles and finishes that coordinate with hardware. This lock allows the door to be locked and unlocked from the exterior.

Yale® Assure Lock® Keyless Lock

Monitor, lock and unlock from anywhere with the Yale Assure Lock. See Page 16 for additional details.

Hardware Options

See pages 10-11 for hardware styles and finish options, including new FSB® hardware. Hardware sold separately.

EXTERIOR CLAD Custom colors available.



White Canvas Sandtone Terratone



Forest Green Dark Bronze Dove Gray Prairie Grass



Red Rock Cocoa Bean Black

INTERIOR

WOOD SPECIES Additional wood species available.



Pine Maple Oak Alder Cherry



Mahogany** Hickory Walnut Mixed Grain Douglas Fir Vertical Grain Douglas Fir

Naturally occurring variations in grain, color and texture of wood make each door one-of-a-kind. All wood interiors are unfinished unless a painted option is specified.

PAINTED OPTIONS Available on pine.

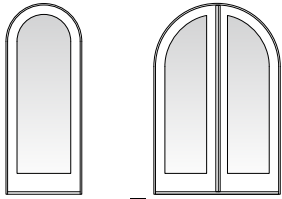


White Birch Bark Primed (for paint)

Canvas, Sandtone, Terratone, Forest Green, Dark Bronze, Dove Gray, Prairie Grass, Red Rock, Cocoa Bean and Black painted options are also available (colors shown to left).

Dimensions in parentheses are in millimeters.
"FSB" is a registered trademark of Franz Schneider Brakel GmbH & Co.

* Visit andersenwindows.com/warranty for details.
** Actual wood is Sapele, a non-endangered species of mahogany grown in Africa, with color and characteristics similar to American mahoganies.
Printing limitations prevent exact duplication of colors and finishes.
See your Andersen supplier for actual color and finish samples.



1 AHISDxx80

1 AHISDxx80AP/PA



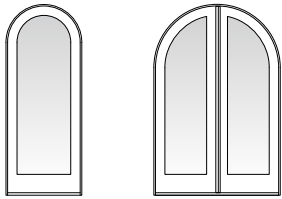
Custom-size doors are available in 1/8" (3) increments.

Traditional panels are standard. Custom designed and 3/4-light panels are also available. Stationary doors are also available (i.e. 3180S or 4080SS). Add AHISD to "Door Number" listed in table (i.e. AHISD2168).

Complementary Springline™ Inswing Patio Door Dimensions and Specifications

Door Number	Number of Panels Open*	Door Dimensions				Min. Rough Opening		Clear Opening Area Sq. Ft./ (m ²)	Clear Opening Maximums			Glass Area Sq. Ft./ (m ²)	Vent Area Sq. Ft./ (m ²)	Overall Door Area Sq. Ft./ (m ²)
		Radius Inches/(mm)	Shoulder Height Inches/(mm)	Width Inches/(mm)	Height Inches/(mm)	Width Inches/(mm)	Height Inches/(mm)		90° Width Inches/(mm)	Full Width Inches/(mm)	Height Inches/(mm)			
3180	1	18" (457)	77 1/2" (1969)	35 15/16" (913)	95 1/2" (2426)	37" (940)	96" (2438)	17.26 (1.60)	30 7/8" (784)	32 13/16" (833)	75 3/4" (1924)	13.28 (1.23)	20.27 (1.88)	22.88 (2.13)
3380	1	19" (483)	76 1/2" (1943)	37 15/16" (964)	95 1/2" (2426)	39" (991)	96" (2438)	18.07 (1.68)	32 7/8" (835)	34 13/16" (884)	74 3/4" (1899)	14.31 (1.33)	21.45 (1.99)	24.09 (2.24)
4080	2	23 5/8" (600)	71 7/8" (1826)	47 1/4" (1200)	95 1/2" (2426)	48" (1219)	96" (2438)	21.34 (1.98)	39 15/16" (1014)	43 13/16" (1113)	70 1/8" (1781)	13.27 (1.23)	26.72 (2.48)	29.67 (2.76)
4080	1	23 5/8" (600)	71 7/8" (1826)	47 1/4" (1200)	95 1/2" (2426)	48" (1219)	96" (2438)	10.17 (0.94)	18 15/16" (481)	20 7/8" (530)	70 1/8" (1781)	13.27 (1.23)	11.72 (1.09)	29.67 (2.76)
5080	2	29 5/8" (752)	65 7/8" (1673)	59 1/4" (1505)	95 1/2" (2426)	60" (1524)	96" (2438)	24.85 (2.31)	51 15/16" (1319)	55 13/16" (1418)	64 1/8" (1629)	19.14 (1.78)	33.54 (3.12)	36.68 (3.41)
5080	1	29 5/8" (752)	65 7/8" (1673)	59 1/4" (1505)	95 1/2" (2426)	60" (1524)	96" (2438)	11.97 (1.11)	24 15/16" (633)	26 7/8" (683)	64 1/8" (1629)	19.14 (1.78)	14.53 (1.35)	36.68 (3.41)
5480	2	31 5/8" (803)	63 7/8" (1622)	63 1/4" (1607)	95 1/2" (2426)	64" (1626)	96" (2438)	25.80 (2.40)	55 15/16" (1421)	59 13/16" (1519)	62 1/8" (1578)	21.05 (1.96)	35.77 (3.32)	38.97 (3.62)
5480	1	31 5/8" (803)	63 7/8" (1622)	63 1/4" (1607)	95 1/2" (2426)	64" (1626)	96" (2438)	12.46 (1.16)	26 15/16" (684)	28 7/8" (733)	62 1/8" (1578)	21.05 (1.96)	15.45 (1.44)	38.97 (3.62)
6080	2	35 5/8" (905)	59 7/8" (1521)	71 1/4" (1810)	95 1/2" (2426)	72" (1829)	96" (2438)	27.37 (2.54)	63 15/16" (1624)	67 13/16" (1722)	58 1/8" (1476)	24.79 (2.30)	40.15 (3.73)	43.47 (4.04)
6080	1	35 5/8" (905)	59 7/8" (1521)	71 1/4" (1810)	95 1/2" (2426)	72" (1829)	96" (2438)	13.27 (1.23)	30 7/8" (786)	32 7/8" (835)	58 1/8" (1476)	24.79 (2.30)	17.24 (1.60)	43.47 (4.04)
6480	2	37 5/8" (956)	57 7/8" (1470)	75 1/4" (1911)	95 1/2" (2426)	76" (1930)	96" (2438)	27.99 (2.60)	67 15/16" (1726)	71 13/16" (1824)	56 1/8" (1426)	26.63 (2.47)	42.30 (3.93)	45.69 (4.24)
6480	1	37 5/8" (956)	57 7/8" (1470)	75 1/4" (1911)	95 1/2" (2426)	76" (1930)	96" (2438)	13.59 (1.26)	32 15/16" (837)	34 7/8" (886)	56 1/8" (1426)	26.63 (2.47)	19.84 (1.84)	45.69 (4.24)

- "Door Dimension" always refers to outside frame to frame dimension.
- "Minimum Rough Opening" dimensions may need to be increased to allow for use of building wraps, flashing, sill panning, brackets, fasteners or other items. See pages 236-237 for more details.
- Dimensions in parentheses are in millimeters or square meters.
- *For two-panel patio doors with one panel open, clear opening is based on active panel being open and passive panel being closed.



1 AOSDxx80

1 AOSDxx80AP/PA



Custom-size doors are available in 1/8" (3) increments.

Traditional panels are standard. Custom designed and 3/4-light panels are also available. Stationary doors are also available (i.e. 3180S or 4080SS). Add AOSD to "Door Number" listed in table (i.e. AOSD2168).

Complementary Springline™ Outswing Patio Door Dimensions and Specifications

Door Number	Number of Panels Open*	Door Dimensions				Min. Rough Opening		Clear Opening Area Sq. Ft./ (m ²)	Clear Opening Maximums			Glass Area Sq. Ft./ (m ²)	Vent Area Sq. Ft./ (m ²)	Overall Door Area Sq. Ft./ (m ²)
		Radius Inches/(mm)	Shoulder Height Inches/(mm)	Width Inches/(mm)	Height Inches/(mm)	Width Inches/(mm)	Height Inches/(mm)		90° Width Inches/(mm)	Full Width Inches/(mm)	Height Inches/(mm)			
3180	1	18" (457)	77 1/2" (1969)	35 15/16" (913)	95 1/2" (2426)	37" (940)	96" (2438)	17.52 (1.63)	31 3/8" (797)	33 5/16" (846)	75 3/4" (1924)	13.28 (1.23)	20.53 (1.91)	22.88 (2.13)
3380	1	19" (483)	76 1/2" (1943)	37 15/16" (964)	95 1/2" (2426)	39" (991)	96" (2438)	18.33 (1.70)	33 3/8" (848)	35 5/16" (897)	74 3/4" (1899)	14.31 (1.33)	21.71 (2.02)	24.09 (2.24)
4080	2	23 5/8" (600)	71 7/8" (1826)	47 1/4" (1200)	95 1/2" (2426)	48" (1219)	96" (2438)	21.73 (2.02)	40 11/16" (1033)	44 5/8" (1133)	70 1/8" (1781)	13.27 (1.23)	27.12 (2.52)	29.67 (2.76)
4080	1	23 5/8" (600)	71 7/8" (1826)	47 1/4" (1200)	95 1/2" (2426)	48" (1219)	96" (2438)	10.35 (0.96)	19 1/4" (489)	21 1/4" (540)	70 1/8" (1781)	13.27 (1.23)	11.72 (1.09)	29.67 (2.76)
5080	2	29 5/8" (752)	65 7/8" (1673)	59 1/4" (1505)	95 1/2" (2426)	60" (1524)	96" (2438)	25.22 (2.34)	52 11/16" (1338)	56 5/8" (1438)	64 1/8" (1629)	19.14 (1.78)	33.90 (3.15)	36.68 (3.41)
5080	1	29 5/8" (752)	65 7/8" (1673)	59 1/4" (1505)	95 1/2" (2426)	60" (1524)	96" (2438)	12.13 (1.13)	25 1/4" (641)	27 1/4" (692)	64 1/8" (1629)	19.14 (1.78)	14.53 (1.35)	36.68 (3.41)
5480	2	31 5/8" (803)	63 7/8" (1622)	63 1/4" (1607)	95 1/2" (2426)	64" (1626)	96" (2438)	26.16 (2.43)	56 11/16" (1440)	60 5/8" (1540)	62 1/8" (1578)	21.05 (1.96)	36.12 (3.36)	38.97 (3.62)
5480	1	31 5/8" (803)	63 7/8" (1622)	63 1/4" (1607)	95 1/2" (2426)	64" (1626)	96" (2438)	12.62 (1.17)	27 1/4" (692)	29 1/4" (743)	62 1/8" (1578)	21.05 (1.96)	15.45 (1.44)	38.97 (3.62)
6080	2	35 5/8" (905)	59 7/8" (1521)	71 1/4" (1810)	95 1/2" (2426)	72" (1829)	96" (2438)	27.70 (2.57)	64 11/16" (1643)	68 5/8" (1743)	58 1/8" (1476)	24.79 (2.30)	40.48 (3.76)	43.47 (4.04)
6080	1	35 5/8" (905)	59 7/8" (1521)	71 1/4" (1810)	95 1/2" (2426)	72" (1829)	96" (2438)	13.42 (1.25)	31 1/4" (794)	33 1/4" (845)	58 1/8" (1476)	24.79 (2.30)	17.24 (1.60)	43.47 (4.04)
6480	2	37 5/8" (956)	57 7/8" (1470)	75 1/4" (1911)	95 1/2" (2426)	76" (1930)	96" (2438)	28.31 (2.63)	68 11/16" (1745)	72 5/8" (1845)	56 1/8" (1426)	26.63 (2.47)	42.62 (3.96)	45.69 (4.24)
6480	1	37 5/8" (956)	57 7/8" (1470)	75 1/4" (1911)	95 1/2" (2426)	76" (1930)	96" (2438)	13.74 (1.28)	33 1/4" (845)	35 1/4" (895)	56 1/8" (1426)	26.63 (2.47)	19.84 (1.84)	45.69 (4.24)

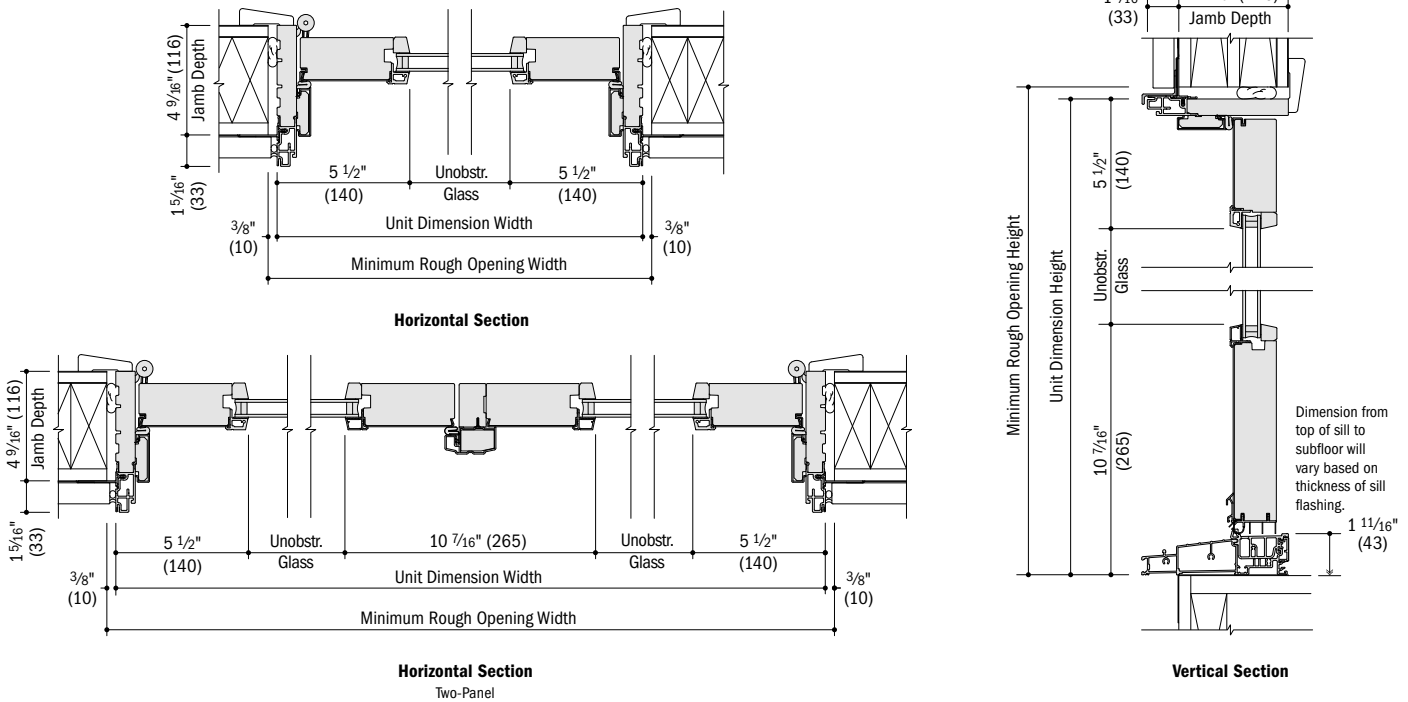
- "Door Dimension" always refers to outside frame to frame dimension.
- "Minimum Rough Opening" dimensions may need to be increased to allow for use of building wraps, flashing, sill panning, brackets, fasteners or other items. See pages 236-237 for more details.
- Dimensions in parentheses are in millimeters or square meters.
- *For two-panel patio doors with one panel open, clear opening is based on active panel being open and passive panel being closed.

A-Series
Complementary
Curved Top Patio Doors

COMPLEMENTARY CURVED TOP PATIO DOORS

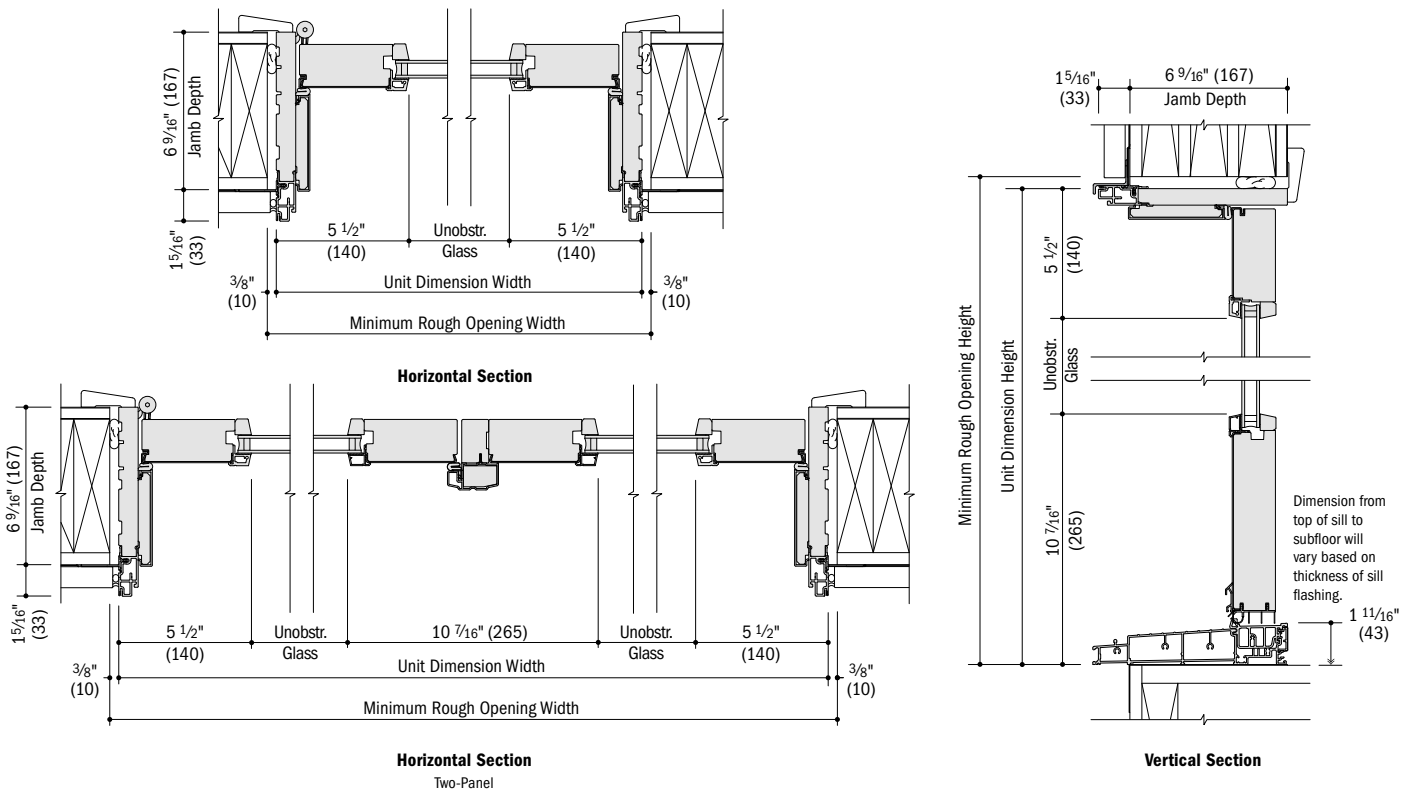
Complementary Springline™ Inswing Patio Door Details – 4 9/16" (116) Jamb Depth

Scale 1 1/2" (38) = 1'-0" (305) – 1:8



Complementary Springline™ Inswing Patio Door Details – 6 9/16" (167) Jamb Depth

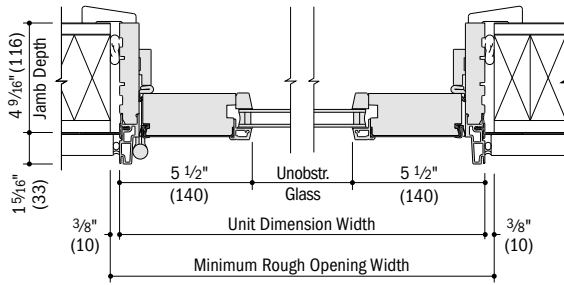
Scale 1 1/2" (38) = 1'-0" (305) – 1:8



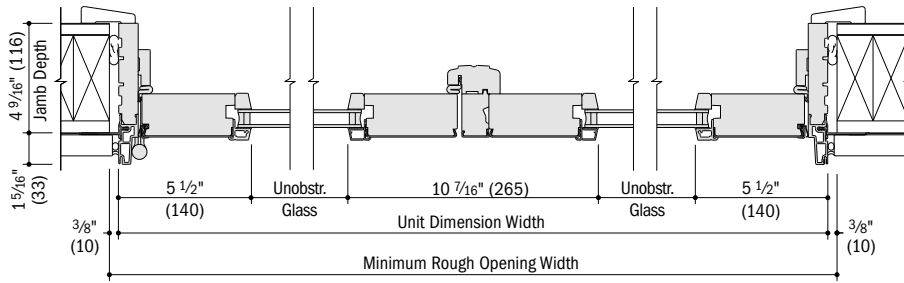
- 4 9/16" (116) and 6 9/16" (167) jamb depth measurements are from back side of installation flange.
- Light-colored areas are parts included with door. Dark-colored areas are additional Andersen™ parts required to complete door assembly as shown.
- **Rough openings may need to be increased to allow for use of building wraps, flashing, sill panning, brackets, fasteners or other items. See installation information on pages 236-237.**
- Details are for illustration only and are not intended to represent product installation methods or materials. Refer to product installation guides at andersenwindows.com.
- Dimensions in parentheses are in millimeters.

Complementary Springline™ Outswing Patio Door Details – 4 9/16" (116) Jamb Depth

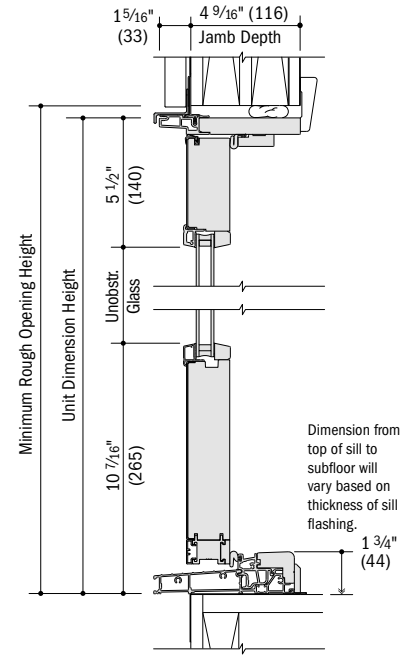
Scale 1 1/2" (38) = 1'-0" (305) – 1:8



Horizontal Section



Horizontal Section
Two-Panel

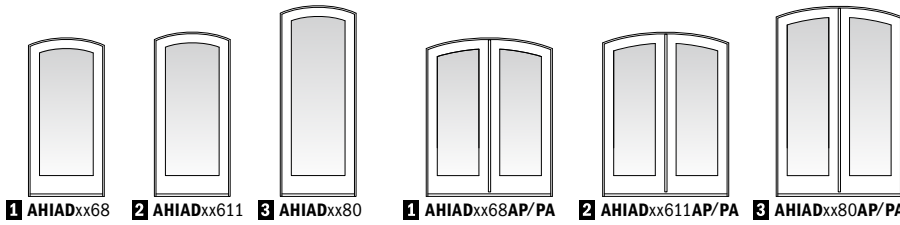


Vertical Section

A-Series
Complementary
Curved Top Patio Doors

- 4 9/16" (116) jamb depth measurements are from back side of installation flange.
- Light-colored areas are parts included with door. Dark-colored areas are additional Andersen® parts required to complete door assembly as shown.
- **Rough openings may need to be increased to allow for use of building wraps, flashing, sill panning, brackets, fasteners or other items. See installation information on pages 236-237.**
- Details are for illustration only and are not intended to represent product installation methods or materials. Refer to product installation guides at andersenwindows.com.
- Dimensions in parentheses are in millimeters.

COMPLEMENTARY CURVED TOP PATIO DOORS

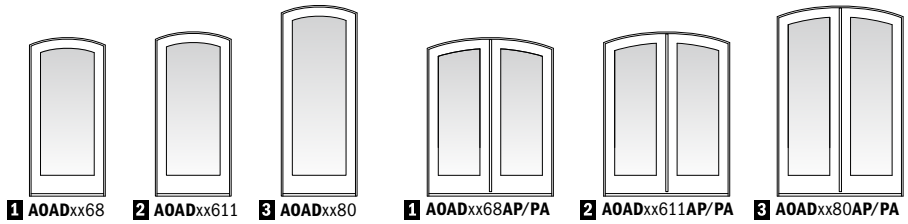


Custom-size doors are available in 1/8" (3) increments. Traditional panels are standard. Custom designed and 3/4-light panels are also available. Stationary doors are also available (i.e. 2168S or 4068SS). Add AHIA to "Door Number" listed in table (i.e. AHIA2168).

Complementary Arch Inswing Patio Door Dimensions and Specifications

Door Number	Number of Panels Open*	Door Dimensions				Min. Rough Opening		Clear Opening Area			Clear Opening Maximums			Glass Area		Vent Area		Overall Door Area	
		Radius Inches/(mm)	Shoulder Height Inches/(mm)	Width Inches/(mm)	Height Inches/(mm)	Width Inches/(mm)	Height Inches/(mm)	Sq. Ft./ (m ²)	90° Width Inches/(mm)	Full Width Inches/(mm)	Height Inches/(mm)	Sq. Ft./ (m ²)	Sq. Ft./ (m ²)	Sq. Ft./ (m ²)	Sq. Ft./ (m ²)	Sq. Ft./ (m ²)	Sq. Ft./ (m ²)		
2168	1	36" (914)	77 1/16" (1967)	23 15/16" (608)	79 1/2" (2019)	25" (635)	80" (2032)	10.79 (1.00)	18 7/8" (479)	20 13/16" (529)	74 11/16" (1897)	5.66 (0.53)	12.46 (1.16)	14.49 (1.35)					
2768	1	48" (1219)	77 1/16" (1959)	29 15/16" (760)	79 1/2" (2019)	31" (787)	80" (2032)	13.84 (1.29)	24 7/8" (632)	26 13/16" (681)	74 5/16" (1888)	8.28 (0.77)	15.70 (1.46)	17.85 (1.66)					
2968	1	48" (1219)	76 3/4" (1949)	31 15/16" (811)	79 1/2" (2019)	33" (838)	80" (2032)	14.81 (1.38)	26 7/8" (683)	28 13/16" (732)	74" (1880)	9.15 (0.85)	16.77 (1.56)	18.95 (1.76)					
3168	1	48" (1219)	76" (1930)	35 15/16" (913)	79 1/2" (2019)	37" (940)	80" (2032)	16.71 (1.55)	30 7/8" (784)	32 13/16" (833)	73 5/16" (1862)	10.87 (1.01)	18.88 (1.75)	21.13 (1.96)					
3368	1	48" (1219)	75 5/8" (1921)	37 15/16" (964)	79 1/2" (2019)	39" (991)	80" (2032)	17.86 (1.66)	32 1/8" (835)	34 13/16" (884)	73 1/8" (1876)	11.72 (1.09)	22.01 (2.04)	24.36 (2.26)					
21611	1	36" (914)	80 5/16" (2040)	23 15/16" (608)	82 3/8" (2092)	25" (635)	83" (2108)	11.21 (1.04)	18 7/8" (479)	20 13/16" (529)	77 9/16" (1970)	5.93 (0.55)	14.39 (1.34)	16.65 (1.55)					
27611	1	48" (1219)	80" (2032)	29 15/16" (760)	82 3/8" (2092)	31" (787)	83" (2108)	14.37 (1.33)	24 7/8" (632)	26 13/16" (681)	77 3/16" (1961)	8.68 (0.81)	18.17 (1.69)	20.55 (1.91)					
29611	1	48" (1219)	79 5/8" (2022)	31 15/16" (811)	82 3/8" (2092)	33" (838)	83" (2108)	15.38 (1.43)	26 7/8" (683)	28 13/16" (732)	76 7/8" (1953)	9.58 (0.89)	19.41 (1.80)	21.83 (2.03)					
31611	1	48" (1219)	78 7/8" (2003)	35 15/16" (913)	82 3/8" (2092)	37" (940)	83" (2108)	17.36 (1.61)	30 7/8" (784)	32 13/16" (833)	76 3/16" (1935)	11.39 (1.06)	21.89 (2.03)	24.37 (2.26)					
33611	1	48" (1219)	78 1/2" (1994)	37 15/16" (964)	82 3/8" (2092)	39" (991)	83" (2108)	18.55 (1.72)	32 1/8" (835)	34 13/16" (884)	76 3/16" (1949)	12.28 (1.14)	25.19 (2.34)	27.78 (2.58)					
2180	1	36" (914)	93 7/16" (2373)	23 15/16" (608)	95 1/2" (2426)	25" (635)	96" (2438)	13.11 (1.22)	18 7/8" (479)	20 13/16" (529)	90 11/16" (2303)	7.09 (0.66)	16.31 (1.52)	18.81 (1.75)					
2780	1	48" (1219)	93 7/8" (2365)	29 15/16" (760)	95 1/2" (2426)	31" (787)	96" (2438)	16.82 (1.56)	24 7/8" (632)	26 13/16" (681)	90 5/16" (2294)	10.38 (0.96)	20.63 (1.92)	23.25 (2.16)					
2980	1	48" (1219)	92 3/4" (2356)	31 15/16" (811)	95 1/2" (2426)	33" (838)	96" (2438)	18.01 (1.67)	26 7/8" (683)	28 13/16" (732)	90" (2286)	11.47 (1.07)	22.06 (2.05)	24.71 (2.30)					
3180	1	48" (1219)	92" (2337)	35 15/16" (913)	95 1/2" (2426)	37" (940)	96" (2438)	20.35 (1.89)	30 7/8" (784)	32 13/16" (833)	89 5/16" (2269)	13.63 (1.27)	24.89 (2.31)	27.62 (2.57)					
3380	1	48" (1219)	91 5/8" (2327)	37 15/16" (964)	95 1/2" (2426)	39" (991)	96" (2438)	21.73 (2.02)	32 1/8" (835)	34 13/16" (884)	89 1/8" (2283)	14.71 (1.37)	28.38 (2.64)	31.20 (2.90)					
4068	2	48" (1219)	73 5/16" (1862)	47 1/4" (1200)	79 1/2" (2019)	48" (1219)	80" (2032)	21.56 (2.00)	39 15/16" (1014)	43 13/16" (1113)	70 7/8" (1800)	10.93 (1.02)	25.61 (2.38)	28.07 (2.61)					
4068	1	48" (1219)	73 5/16" (1862)	47 1/4" (1200)	79 1/2" (2019)	48" (1219)	80" (2032)	10.27 (0.95)	18 15/16" (481)	20 7/8" (530)	70 7/8" (1800)	10.93 (1.02)	12.22 (1.14)	28.07 (2.61)					
5068	2	96" (2438)	74 13/16" (1900)	59 1/4" (1505)	79 1/2" (2019)	60" (1524)	80" (2032)	27.95 (2.60)	51 15/16" (1319)	55 13/16" (1418)	72 1/8" (1832)	16.30 (1.51)	32.24 (3.00)	34.97 (3.25)					
5068	1	96" (2438)	74 13/16" (1900)	59 1/4" (1505)	79 1/2" (2019)	60" (1524)	80" (2032)	13.46 (1.25)	24 15/16" (633)	26 7/8" (683)	72 1/8" (1832)	16.30 (1.51)	15.54 (1.44)	34.97 (3.25)					
5468	2	96" (2438)	74 1/8" (1883)	63 1/4" (1607)	79 1/2" (2019)	64" (1626)	80" (2032)	29.70 (2.76)	55 15/16" (1421)	59 13/16" (1519)	71 1/2" (1816)	17.97 (1.67)	34.29 (3.19)	37.09 (3.45)					
5468	1	96" (2438)	74 1/8" (1883)	63 1/4" (1607)	79 1/2" (2019)	64" (1626)	80" (2032)	14.34 (1.33)	26 15/16" (684)	28 7/8" (733)	71 1/2" (1816)	17.97 (1.67)	16.56 (1.54)	37.09 (3.45)					
6068	2	96" (2438)	72 5/8" (1845)	71 1/4" (1810)	79 1/2" (2019)	72" (1829)	80" (2032)	32.99 (3.06)	63 15/16" (1624)	67 13/16" (1722)	70 1/16" (1780)	21.25 (1.97)	38.33 (3.56)	41.27 (3.83)					
6068	1	96" (2438)	72 5/8" (1845)	71 1/4" (1810)	79 1/2" (2019)	72" (1829)	80" (2032)	16.00 (1.49)	30 15/16" (786)	32 7/8" (835)	70 1/16" (1780)	21.25 (1.97)	18.58 (1.73)	41.27 (3.83)					
6468	2	96" (2438)	71 13/16" (1824)	75 1/4" (1911)	79 1/2" (2019)	76" (1930)	80" (2032)	34.53 (3.21)	67 15/16" (1726)	71 13/16" (1824)	69 1/4" (1759)	22.86 (2.12)	44.22 (4.11)	47.36 (4.40)					
6468	1	96" (2438)	71 13/16" (1824)	75 1/4" (1911)	79 1/2" (2019)	76" (1930)	80" (2032)	16.77 (1.56)	32 15/16" (837)	34 7/8" (886)	69 1/4" (1759)	22.86 (2.12)	21.53 (2.00)	47.36 (4.40)					
40611	2	48" (1219)	76 3/16" (1935)	47 1/4" (1200)	82 3/8" (2092)	48" (1219)	83" (2108)	22.44 (2.08)	39 15/16" (1014)	43 13/16" (1113)	73 3/4" (1873)	11.46 (1.06)	29.64 (2.75)	32.34 (3.00)					
40611	1	48" (1219)	76 3/16" (1935)	47 1/4" (1200)	82 3/8" (2092)	48" (1219)	83" (2108)	10.69 (0.99)	18 15/16" (481)	20 7/8" (530)	73 3/4" (1873)	11.46 (1.06)	14.29 (1.33)	32.34 (3.00)					
50611	2	96" (2438)	77 11/16" (1973)	59 1/4" (1505)	82 3/8" (2092)	60" (1524)	83" (2108)	29.07 (2.70)	51 15/16" (1319)	55 13/16" (1418)	75" (1905)	17.09 (1.59)	37.35 (3.47)	40.32 (3.75)					
50611	1	96" (2438)	77 11/16" (1973)	59 1/4" (1505)	82 3/8" (2092)	60" (1524)	83" (2108)	14.00 (1.30)	24 15/16" (633)	26 7/8" (683)	75" (1905)	17.09 (1.59)	18.15 (1.69)	40.32 (3.75)					
54611	2	96" (2438)	77" (1956)	63 1/4" (1607)	82 3/8" (2092)	64" (1626)	83" (2108)	30.89 (2.87)	55 15/16" (1421)	59 13/16" (1519)	74 3/8" (1889)	18.84 (1.75)	39.77 (3.69)	42.80 (3.98)					
54611	1	96" (2438)	77" (1956)	63 1/4" (1607)	82 3/8" (2092)	64" (1626)	83" (2108)	14.91 (1.39)	26 15/16" (684)	28 7/8" (733)	74 3/8" (1889)	18.84 (1.75)	19.35 (1.80)	42.80 (3.98)					
60611	2	96" (2438)	75 1/2" (1918)	71 1/4" (1810)	82 3/8" (2092)	72" (1829)	83" (2108)	34.35 (3.19)	63 15/16" (1624)	67 13/16" (1722)	72 15/16" (1853)	22.28 (2.07)	44.53 (4.14)	47.71 (4.43)					
60611	1	96" (2438)	75 1/2" (1918)	71 1/4" (1810)	82 3/8" (2092)	72" (1829)	83" (2108)	16.65 (1.55)	30 15/16" (786)	32 7/8" (835)	72 15/16" (1853)	22.28 (2.07)	21.74 (2.02)	47.71 (4.43)					
64611	2	96" (2438)	74 11/16" (1897)	75 1/4" (1911)	82 3/8" (2092)	76" (1930)	83" (2108)	35.97 (3.34)	67 15/16" (1726)	71 13/16" (1824)	72 1/8" (1832)	23.98 (2.23)	50.78 (4.72)	54.16 (5.03)					
64611	1	96" (2438)	74 11/16" (1897)	75 1/4" (1911)	82 3/8" (2092)	76" (1930)	83" (2108)	17.47 (1.62)	32 15/16" (837)	34 7/8" (886)	72 1/8" (1832)	23.98 (2.23)	25.22 (2.34)	54.16 (5.03)					
4080	2	48" (1219)	89 5/16" (2269)	47 1/4" (1200)	95 1/2" (2426)	48" (1219)	96" (2438)	26.43 (2.46)	39 15/16" (1014)	43 13/16" (1113)	86 7/8" (2207)	13.76 (1.28)	33.66 (3.13)	36.60 (3.40)					
4080	1	48" (1219)	89 5/16" (2269)	47 1/4" (1200)	95 1/2" (2426)	48" (1219)	96" (2438)	12.59 (1.17)	18 15/16" (481)	20 7/8" (530)	86 7/8" (2207)	13.76 (1.28)	14.29 (1.33)	36.60 (3.40)					
5080	2	96" (2438)	90 13/16" (2307)	59 1/4" (1505)	95 1/2" (2426)	60" (1524)	96" (2438)	34.16 (3.17)	51 15/16" (1319)	55 13/16" (1418)	88 1/8" (2238)	20.50 (1.90)	42.47 (3.95)	45.67 (4.24)					
5080	1	96" (2438)	90 13/16" (2307)	59 1/4" (1505)	95 1/2" (2426)	60" (1524)	96" (2438)	16.45 (1.53)	24 15/16" (633)	26 7/8" (683)	88 1/8" (2238)	20.50 (1.90)	18.15 (1.69)	45.67 (4.24)					
5480	2	96" (2438)	90 1/8" (2289)	63 1/4" (1607)	95 1/2" (2426)	64" (1626)	96" (2438)	36.34 (3.38)	55 15/16" (1421)	59 13/16" (1519)	87 1/2" (2223)	22.61 (2.10)	45.24 (4.20)	48.51 (4.51)					
5480	1	96" (2438)	90 1/8" (2289)	63 1/4" (1607)	95 1/2" (2426)	64" (1626)	96" (2438)	17.55 (1.63)	26 15/16" (684)	28 7/8" (733)	87 1/2" (2223)	22.61 (2.10)	19.35 (1.80)	48.51 (4.51)					
6080	2	96" (2438)	88 5/8" (2251)	71 1/4" (1810)	95 1/2" (2426)	72" (1829)	96" (2438)	40.53 (3.77)	63 15/16" (1624)	67 13/16" (1722)	86 1/16" (2186)	26.78 (2.49)	50.73 (4.71)	54.14 (5.03)					
6080	1	96" (2438)	88 5/8" (2251)	71 1/4" (1810)	95 1/2" (2426)	72" (1829)	96" (2438)	19.65 (1.83)	30 15/16" (786)	32 7/8" (835)	86 1/16" (2186)	26.78 (2.49)	21.74 (2.02)	54.14 (5.03)					
6480	2	96" (2438)	87 13/16" (2230)	75 1/4" (1911)	95 1/2" (2426)	76" (1930)	96" (2438)	42.51 (3.95)	67 15/16" (1726)	71 13/16" (1824)	85 1/8" (2165)	28.83 (2.68)	57.33 (5.33)	60.95 (5.66)					
6480	1	96" (2438)	87 13/16" (2230)	75 1/4" (1911)	95 1/2" (2426)	76" (1930)	96" (2438)	20.65 (1.92)	32 15/16" (837)	34 7/8" (886)	85 1/4" (2165)	28.83 (2.68)	25.22 (2.34)	60.95 (5.66)					

• "Door Dimension" always refers to outside frame to frame dimension.
 • "Minimum Rough Opening" dimensions may need to be increased to allow for use of building wraps, flashing, sill panning, brackets, fasteners or other items. See pages 236-237 for more details.
 • Dimensions in parentheses are in millimeters or square meters.
 *For two-panel patio doors with one panel open, clear opening is based on active panel being open and passive panel being closed.



Custom-size doors are available in 1/8" (3) increments. Traditional panels are standard. Custom designed and 3/4-light panels are also available. Stationary doors are also available (i.e. 2168S or 4068SS). Add AOAD to "Door Number" listed in table (i.e. AOAD2168).

A-Series
Complementary
Curved Top Patio Doors

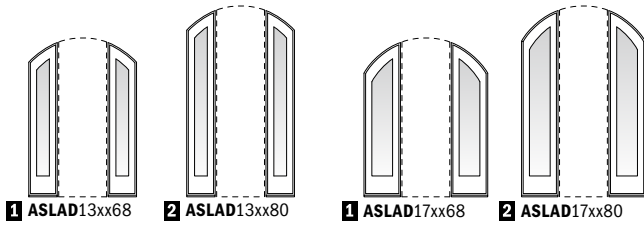
Complementary Arch Outswing Patio Door Dimensions and Specifications

Door Number	Number of Panels Open*	Door Dimensions				Min. Rough Opening		Clear Opening Area Sq. Ft./ (m ²)	Clear Opening Maximums			Glass Area Sq. Ft./ (m ²)	Vent Area Sq. Ft./ (m ²)	Overall Door Area Sq. Ft./ (m ²)
		Radius Inches/ (mm)	Shoulder Height Inches/ (mm)	Width Inches/ (mm)	Height Inches/ (mm)	Width Inches/ (mm)	Height Inches/ (mm)		90° Width Inches/ (mm)	Full Width Inches/ (mm)	Height Inches/ (mm)			
2168	1	36" (914)	77 1/16" (1967)	23 15/16" (608)	79 1/2" (2019)	25" (635)	80" (2032)	11.06 (1.03)	19 3/8" (492)	21 1/16" (541)	74 3/8" (1899)	5.66 (0.53)	12.46 (1.16)	14.49 (1.35)
2768	1	48" (1219)	77 1/8" (1959)	29 15/16" (760)	79 1/2" (2019)	31" (787)	80" (2032)	14.11 (1.31)	25 3/8" (645)	27 1/16" (694)	74 3/8" (1889)	8.28 (0.77)	15.70 (1.46)	17.85 (1.66)
2968	1	48" (1219)	76 3/4" (1949)	31 15/16" (811)	79 1/2" (2019)	33" (838)	80" (2032)	15.08 (1.40)	27 3/8" (695)	29 5/16" (745)	74 1/16" (1881)	9.15 (0.85)	16.77 (1.56)	18.95 (1.76)
3168	1	48" (1219)	76" (1930)	35 15/16" (913)	79 1/2" (2019)	37" (940)	80" (2032)	16.97 (1.58)	31 3/8" (797)	33 5/16" (846)	73 3/8" (1864)	10.87 (1.01)	18.88 (1.75)	21.13 (1.96)
3368	1	48" (1219)	75 5/8" (1921)	37 15/16" (964)	79 1/2" (2019)	39" (991)	80" (2032)	17.90 (1.66)	33 3/8" (848)	35 5/16" (897)	73" (1854)	11.72 (1.09)	22.01 (2.04)	24.36 (2.26)
21611	1	36" (914)	80 5/16" (2040)	23 15/16" (608)	82 3/8" (2092)	25" (635)	83" (2108)	11.49 (1.07)	19 3/8" (492)	21 5/16" (541)	77 3/8" (1972)	5.93 (0.55)	14.39 (1.34)	16.65 (1.55)
27611	1	48" (1219)	80" (2032)	29 15/16" (760)	82 3/8" (2092)	31" (787)	83" (2108)	14.65 (1.36)	25 3/8" (645)	27 5/16" (694)	77 1/4" (1962)	8.68 (0.81)	18.17 (1.69)	20.55 (1.91)
29611	1	48" (1219)	79 5/8" (2022)	31 15/16" (811)	82 3/8" (2092)	33" (838)	83" (2108)	15.66 (1.45)	27 3/8" (695)	29 5/16" (745)	76 15/16" (1954)	9.58 (0.89)	19.41 (1.80)	21.83 (2.03)
31611	1	48" (1219)	78 7/8" (2003)	35 15/16" (913)	82 3/8" (2092)	37" (940)	83" (2108)	17.64 (1.64)	31 3/8" (797)	33 5/16" (846)	76 3/8" (1937)	11.39 (1.06)	21.89 (2.03)	24.37 (2.26)
33611	1	48" (1219)	78 1/2" (1994)	37 15/16" (964)	82 3/8" (2092)	39" (991)	83" (2108)	18.61 (1.73)	33 3/8" (848)	35 5/16" (897)	75 1/8" (1927)	12.28 (1.14)	25.19 (2.34)	27.78 (2.58)
2180	1	36" (914)	93 7/16" (2373)	23 15/16" (608)	95 1/2" (2426)	25" (635)	96" (2438)	13.43 (1.25)	19 3/8" (492)	21 5/16" (541)	90 3/4" (2305)	7.09 (0.66)	16.31 (1.52)	18.81 (1.75)
2780	1	48" (1219)	93 1/8" (2365)	29 15/16" (760)	95 1/2" (2426)	31" (787)	96" (2438)	17.14 (1.59)	25 3/8" (645)	27 5/16" (694)	90 3/8" (2296)	10.38 (0.96)	20.63 (1.92)	23.25 (2.16)
2980	1	48" (1219)	92 3/4" (2356)	31 15/16" (811)	95 1/2" (2426)	33" (838)	96" (2438)	18.33 (1.70)	27 3/8" (695)	29 5/16" (745)	90 1/16" (2288)	11.47 (1.07)	22.06 (2.05)	24.71 (2.30)
3180	1	48" (1219)	92" (2337)	35 15/16" (913)	95 1/2" (2426)	37" (940)	96" (2438)	20.68 (1.92)	31 3/8" (797)	33 5/16" (846)	89 3/8" (2270)	13.63 (1.27)	24.89 (2.31)	27.62 (2.57)
3380	1	48" (1219)	91 5/8" (2327)	37 15/16" (964)	95 1/2" (2426)	39" (991)	96" (2438)	21.83 (2.03)	33 3/8" (848)	35 5/16" (897)	89" (2261)	14.71 (1.37)	28.38 (2.64)	31.20 (2.90)
4068	2	48" (1219)	73 5/16" (1862)	47 1/4" (1200)	79 1/2" (2019)	48" (1219)	80" (2032)	21.93 (2.04)	40 1/16" (1033)	44 5/8" (1133)	70 3/4" (1797)	10.93 (1.02)	25.61 (2.38)	28.07 (2.61)
4068	1	48" (1219)	73 5/16" (1862)	47 1/4" (1200)	79 1/2" (2019)	48" (1219)	80" (2032)	10.44 (0.97)	19 1/4" (489)	21 1/4" (540)	70 3/4" (1797)	10.93 (1.02)	12.22 (1.14)	28.07 (2.61)
5068	2	96" (2438)	74 13/16" (1900)	59 1/4" (1505)	79 1/2" (2019)	60" (1524)	80" (2032)	28.36 (2.63)	52 11/16" (1338)	56 5/8" (1438)	72 1/8" (1832)	16.30 (1.51)	32.24 (3.00)	34.97 (3.25)
5068	1	96" (2438)	74 13/16" (1900)	59 1/4" (1505)	79 1/2" (2019)	60" (1524)	80" (2032)	13.65 (1.27)	25 1/4" (641)	27 1/4" (692)	72 1/8" (1832)	16.30 (1.51)	15.54 (1.44)	34.97 (3.25)
5468	2	96" (2438)	74 1/8" (1883)	63 1/4" (1607)	79 1/2" (2019)	64" (1626)	80" (2032)	30.08 (2.79)	56 11/16" (1440)	60 5/8" (1540)	71 1/16" (1815)	17.97 (1.67)	34.29 (3.19)	37.09 (3.45)
5468	1	96" (2438)	74 1/8" (1883)	63 1/4" (1607)	79 1/2" (2019)	64" (1626)	80" (2032)	14.51 (1.35)	27 1/4" (692)	29 1/4" (743)	71 1/16" (1815)	17.97 (1.67)	16.56 (1.54)	37.09 (3.45)
6068	2	96" (2438)	72 5/8" (1845)	71 1/4" (1810)	79 1/2" (2019)	72" (1829)	80" (2032)	33.36 (3.10)	64 11/16" (1643)	68 5/8" (1743)	70" (1778)	21.25 (1.97)	38.33 (3.56)	41.27 (3.83)
6068	1	96" (2438)	72 5/8" (1845)	71 1/4" (1810)	79 1/2" (2019)	72" (1829)	80" (2032)	16.16 (1.50)	31 1/4" (794)	33 1/4" (845)	70" (1778)	21.25 (1.97)	18.58 (1.73)	41.27 (3.83)
6468	2	96" (2438)	71 13/16" (1824)	75 1/4" (1911)	79 1/2" (2019)	76" (1930)	80" (2032)	34.89 (3.24)	68 11/16" (1745)	72 5/8" (1845)	69 3/16" (1757)	22.86 (2.12)	44.22 (4.11)	47.36 (4.40)
6468	1	96" (2438)	71 13/16" (1824)	75 1/4" (1911)	79 1/2" (2019)	76" (1930)	80" (2032)	16.94 (1.57)	33 1/4" (845)	35 1/4" (895)	69 3/16" (1757)	22.86 (2.12)	21.53 (2.00)	47.36 (4.40)
40611	2	48" (1219)	76 3/16" (1935)	47 1/4" (1200)	82 3/8" (2092)	48" (1219)	83" (2108)	22.82 (2.12)	40 11/16" (1033)	44 5/8" (1133)	73 3/8" (1870)	11.46 (1.06)	29.64 (2.75)	32.34 (3.00)
40611	1	48" (1219)	76 3/16" (1935)	47 1/4" (1200)	82 3/8" (2092)	48" (1219)	83" (2108)	10.86 (1.01)	19 1/4" (489)	21 1/4" (540)	73 3/8" (1870)	11.46 (1.06)	14.29 (1.33)	32.34 (3.00)
50611	2	96" (2438)	77 11/16" (1973)	59 1/4" (1505)	82 3/8" (2092)	60" (1524)	83" (2108)	29.49 (2.74)	52 11/16" (1338)	56 5/8" (1438)	75" (1905)	17.09 (1.59)	37.35 (3.47)	40.32 (3.75)
50611	1	96" (2438)	77 11/16" (1973)	59 1/4" (1505)	82 3/8" (2092)	60" (1524)	83" (2108)	14.19 (1.32)	25 1/4" (641)	27 1/4" (692)	75" (1905)	17.09 (1.59)	18.15 (1.69)	40.32 (3.75)
54611	2	96" (2438)	77" (1956)	63 1/4" (1607)	82 3/8" (2092)	64" (1626)	83" (2108)	31.29 (2.91)	56 11/16" (1440)	60 5/8" (1540)	74 5/16" (1888)	18.84 (1.75)	39.77 (3.69)	42.80 (3.98)
54611	1	96" (2438)	77" (1956)	63 1/4" (1607)	82 3/8" (2092)	64" (1626)	83" (2108)	15.09 (1.40)	27 1/4" (692)	29 1/4" (743)	74 5/16" (1888)	18.84 (1.75)	19.35 (1.80)	42.80 (3.98)
60611	2	96" (2438)	75 1/2" (1918)	71 1/4" (1810)	82 3/8" (2092)	72" (1829)	83" (2108)	34.73 (3.23)	64 11/16" (1643)	68 5/8" (1743)	72 1/8" (1851)	22.28 (2.07)	44.53 (4.14)	47.71 (4.43)
60611	1	96" (2438)	75 1/2" (1918)	71 1/4" (1810)	82 3/8" (2092)	72" (1829)	83" (2108)	16.83 (1.56)	31 1/4" (794)	33 1/4" (845)	72 1/8" (1851)	22.28 (2.07)	21.74 (2.02)	47.71 (4.43)
64611	2	96" (2438)	74 11/16" (1897)	75 1/4" (1911)	82 3/8" (2092)	76" (1930)	83" (2108)	36.34 (3.38)	68 11/16" (1745)	72 5/8" (1845)	72 1/16" (1830)	23.98 (2.23)	50.78 (4.72)	54.16 (5.03)
64611	1	96" (2438)	74 11/16" (1897)	75 1/4" (1911)	82 3/8" (2092)	76" (1930)	83" (2108)	17.64 (1.64)	33 1/4" (845)	35 1/4" (895)	72 1/16" (1830)	23.98 (2.23)	25.22 (2.34)	54.16 (5.03)
4080	2	48" (1219)	89 3/16" (2269)	47 1/4" (1200)	95 1/2" (2426)	48" (1219)	96" (2438)	26.88 (2.50)	40 11/16" (1033)	44 5/8" (1133)	86 3/4" (2203)	13.76 (1.28)	33.66 (3.13)	36.60 (3.40)
4080	1	48" (1219)	89 3/16" (2269)	47 1/4" (1200)	95 1/2" (2426)	48" (1219)	96" (2438)	12.80 (1.19)	19 1/4" (489)	21 1/4" (540)	86 3/4" (2203)	13.76 (1.28)	14.29 (1.33)	36.60 (3.40)
5080	2	96" (2438)	90 13/16" (2307)	59 1/4" (1505)	95 1/2" (2426)	60" (1524)	96" (2438)	34.65 (3.22)	52 11/16" (1338)	56 5/8" (1438)	88 1/8" (2238)	20.50 (1.90)	42.47 (3.95)	45.67 (4.24)
5080	1	96" (2438)	90 13/16" (2307)	59 1/4" (1505)	95 1/2" (2426)	60" (1524)	96" (2438)	16.68 (1.55)	25 1/4" (641)	27 1/4" (692)	88 1/8" (2238)	20.50 (1.90)	18.15 (1.69)	45.67 (4.24)
5480	2	96" (2438)	90 1/8" (2289)	63 1/4" (1607)	95 1/2" (2426)	64" (1626)	96" (2438)	36.81 (3.42)	56 11/16" (1440)	60 5/8" (1540)	87 7/16" (2221)	22.61 (2.10)	45.24 (4.20)	48.51 (4.51)
5480	1	96" (2438)	90 1/8" (2289)	63 1/4" (1607)	95 1/2" (2426)	64" (1626)	96" (2438)	17.76 (1.65)	27 1/4" (692)	29 1/4" (743)	87 7/16" (2221)	22.61 (2.10)	19.35 (1.80)	48.51 (4.51)
6080	2	96" (2438)	88 3/8" (2251)	71 1/4" (1810)	95 1/2" (2426)	72" (1829)	96" (2438)	40.98 (3.81)	64 11/16" (1643)	68 5/8" (1743)	86" (2184)	26.78 (2.49)	50.73 (4.71)	54.14 (5.03)
6080	1	96" (2438)	88 3/8" (2251)	71 1/4" (1810)	95 1/2" (2426)	72" (1829)	96" (2438)	19.86 (1.84)	31 1/4" (794)	33 1/4" (845)	86" (2184)	26.78 (2.49)	21.74 (2.02)	54.14 (5.03)
6480	2	96" (2438)	87 11/16" (2230)	75 1/4" (1911)	95 1/2" (2426)	76" (1930)	96" (2438)	42.96 (3.99)	68 11/16" (1745)	72 5/8" (1845)	85 3/16" (2164)	28.83 (2.68)	57.33 (5.33)	60.95 (5.66)
6480	1	96" (2438)	87 11/16" (2230)	75 1/4" (1911)	95 1/2" (2426)	76" (1930)	96" (2438)	20.85 (1.94)	33 1/4" (845)	35 1/4" (895)	85 3/16" (2164)	28.83 (2.68)	25.22 (2.34)	60.95 (5.66)

• "Door Dimension" always refers to outside frame to frame dimension.
 • "Minimum Rough Opening" dimensions may need to be increased to allow for use of building wraps, flashing, sill panning, brackets, fasteners or other items. See pages 236-237 for more details.
 • Dimensions in parentheses are in millimeters or square meters.
 *For two-panel patio doors with one panel open, clear opening is based on active panel being open and passive panel being closed.

COMPLEMENTARY CURVED TOP PATIO DOORS

Complementary Arch Patio Door Sidelights

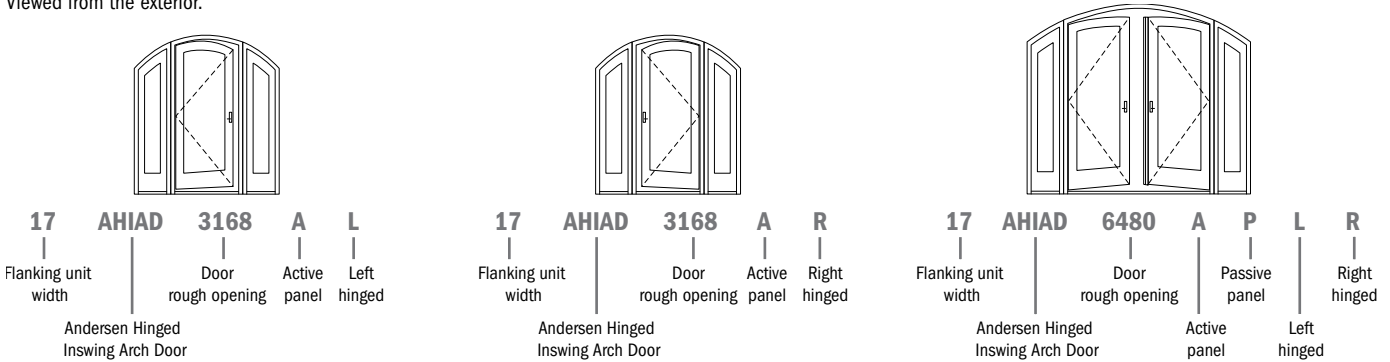


Custom sized in 1/8" (3) increments.

Standard sizes in two widths and heights. Contact your Andersen supplier for sidelight dimensions and specifications. Sash-set arch patio door sidelights, shown, are standard. Direct-set sidelights are available by special order.

Order Designation Description

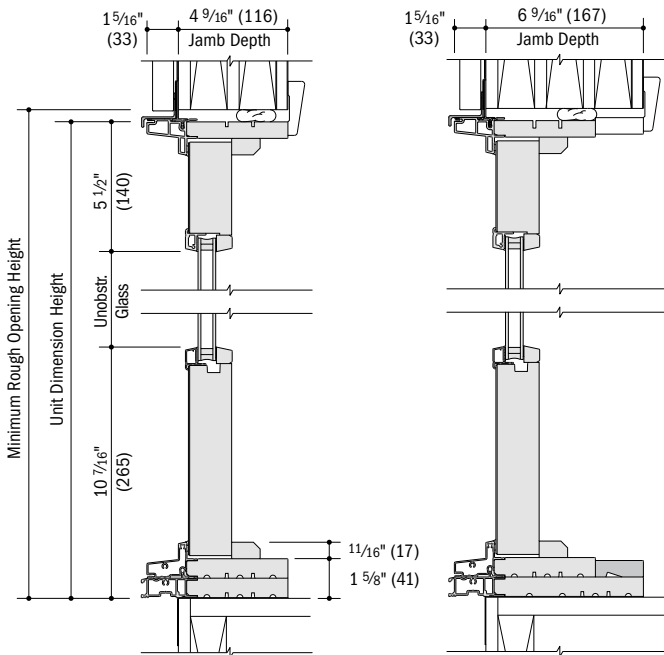
Viewed from the exterior.



Arch inswing patio doors (AHIA) shown above, for arch outswing patio doors use AOAD. Outswing patio doors open outward to the exterior.

Complementary Arch Patio Door Sidelight Details

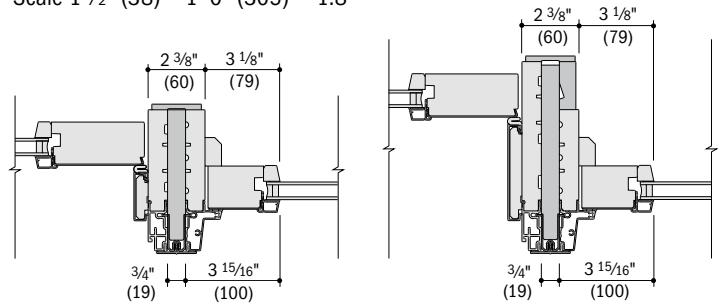
Scale 1 1/2" (38) = 1'-0" (305) – 1:8



Vertical Sections

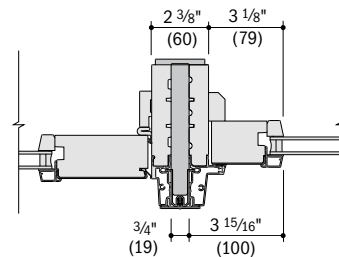
Vertical Joining Details

Scale 1 1/2" (38) = 1'-0" (305) – 1:8



Complementary Arch Inswing Patio Door to Complementary Arch Patio Door Sidelight
4 9/16" (116) Jamb Depth

Complementary Arch Inswing Patio Door to Complementary Arch Patio Door Sidelight
6 9/16" (167) Jamb Depth

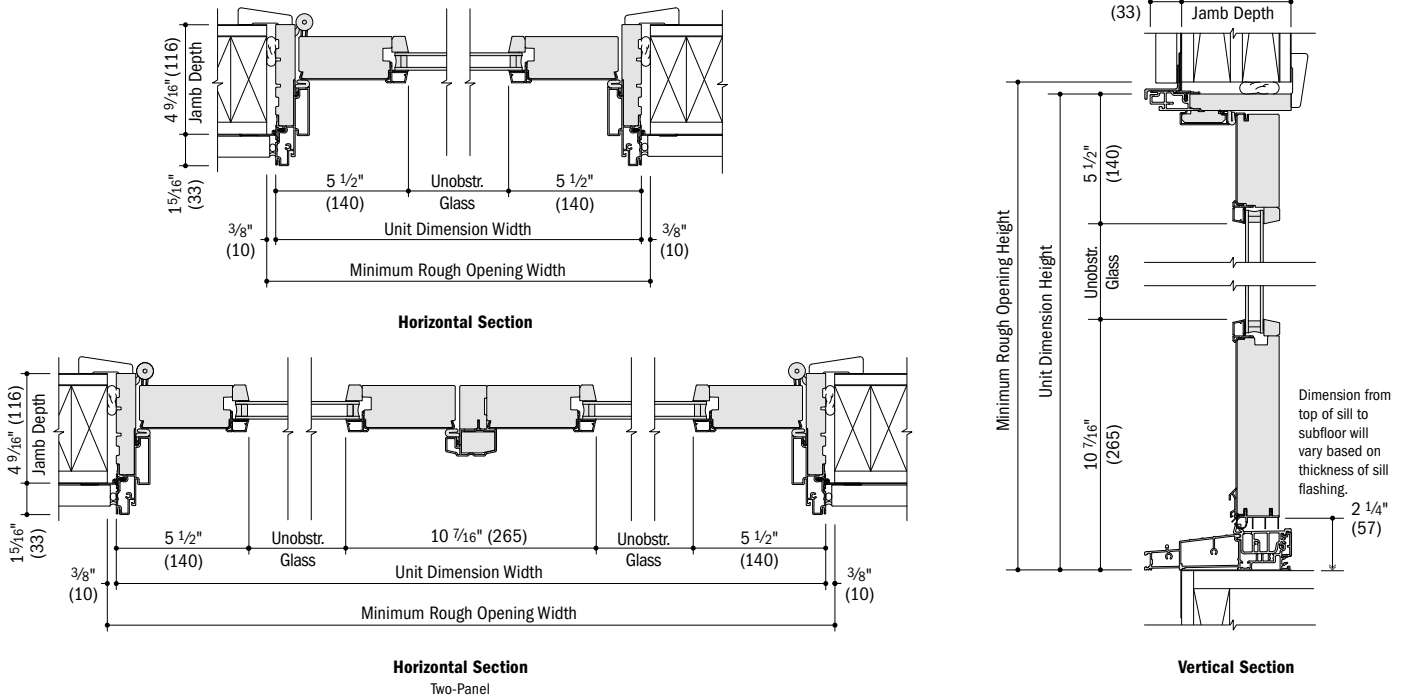


Complementary Arch Outswing Patio Door to Complementary Arch Patio Door Sidelight

- 4 9/16" (116) and 6 9/16" (167) jamb depth measurements are from back side of installation flange.
- Light-colored areas are parts included with window and/or door. Dark-colored areas are additional Andersen® parts required to complete window and/or door assembly as shown.
- Rough openings may need to be increased to allow for use of building wraps, flashing, sill panning, brackets, fasteners or other items. See installation information on pages 236-237.
- Details are for illustration only and are not intended to represent product installation methods or materials. Refer to product installation guides at andersenwindows.com.
- Dimensions in parentheses are in millimeters.

Complementary Arch Inswing Patio Door Details – 4 9/16" (116) Jamb Depth

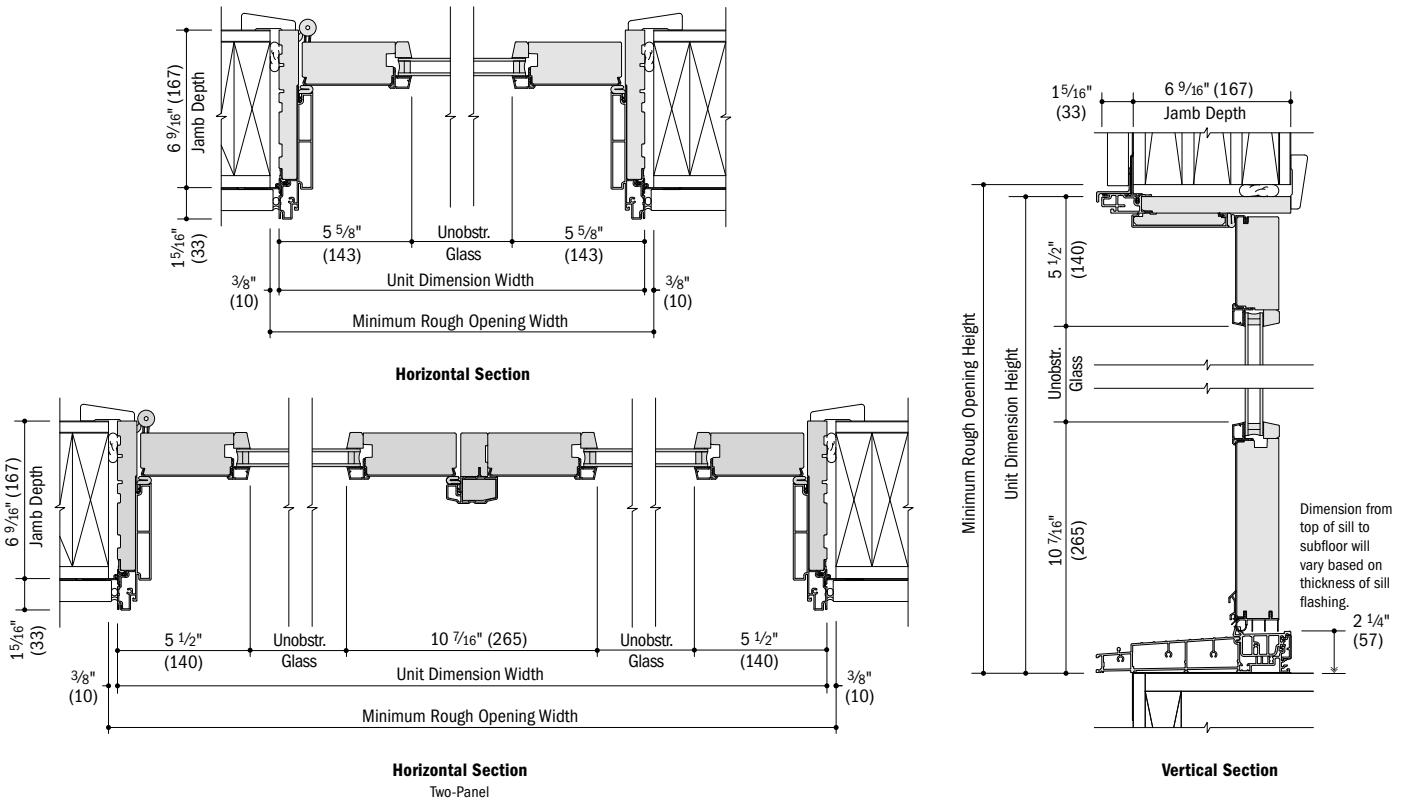
Scale 1 1/2" (38) = 1'-0" (305) – 1:8



A-Series
Complementary
Curved Top Patio Doors

Complementary Arch Inswing Patio Door Details – 6 9/16" (167) Jamb Depth

Scale 1 1/2" (38) = 1'-0" (305) – 1:8

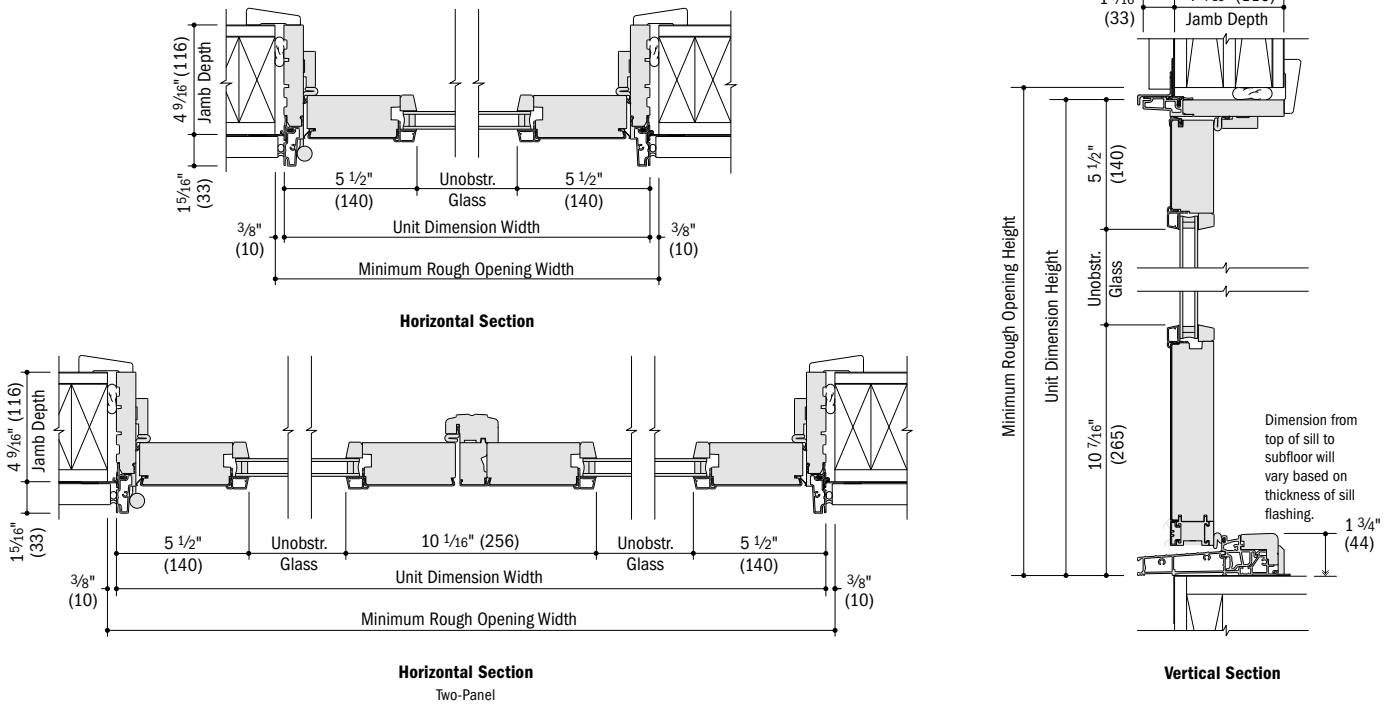


- 4 9/16" (116) and 6 9/16" (167) jamb depth measurements are from back side of installation flange.
- Light-colored areas are parts included with door. Dark-colored areas are additional Andersen® parts required to complete door assembly as shown.
- **Rough openings may need to be increased to allow for use of building wraps, flashing, sill panning, brackets, fasteners or other items. See installation information on pages 236-237.**
- Details are for illustration only and are not intended to represent product installation methods or materials. Refer to product installation guides at andersenwindows.com.
- Dimensions in parentheses are in millimeters.

COMPLEMENTARY CURVED TOP PATIO DOORS

Complementary Arch Outswing Patio Door Details – 4 9/16" (116) Jamb Depth

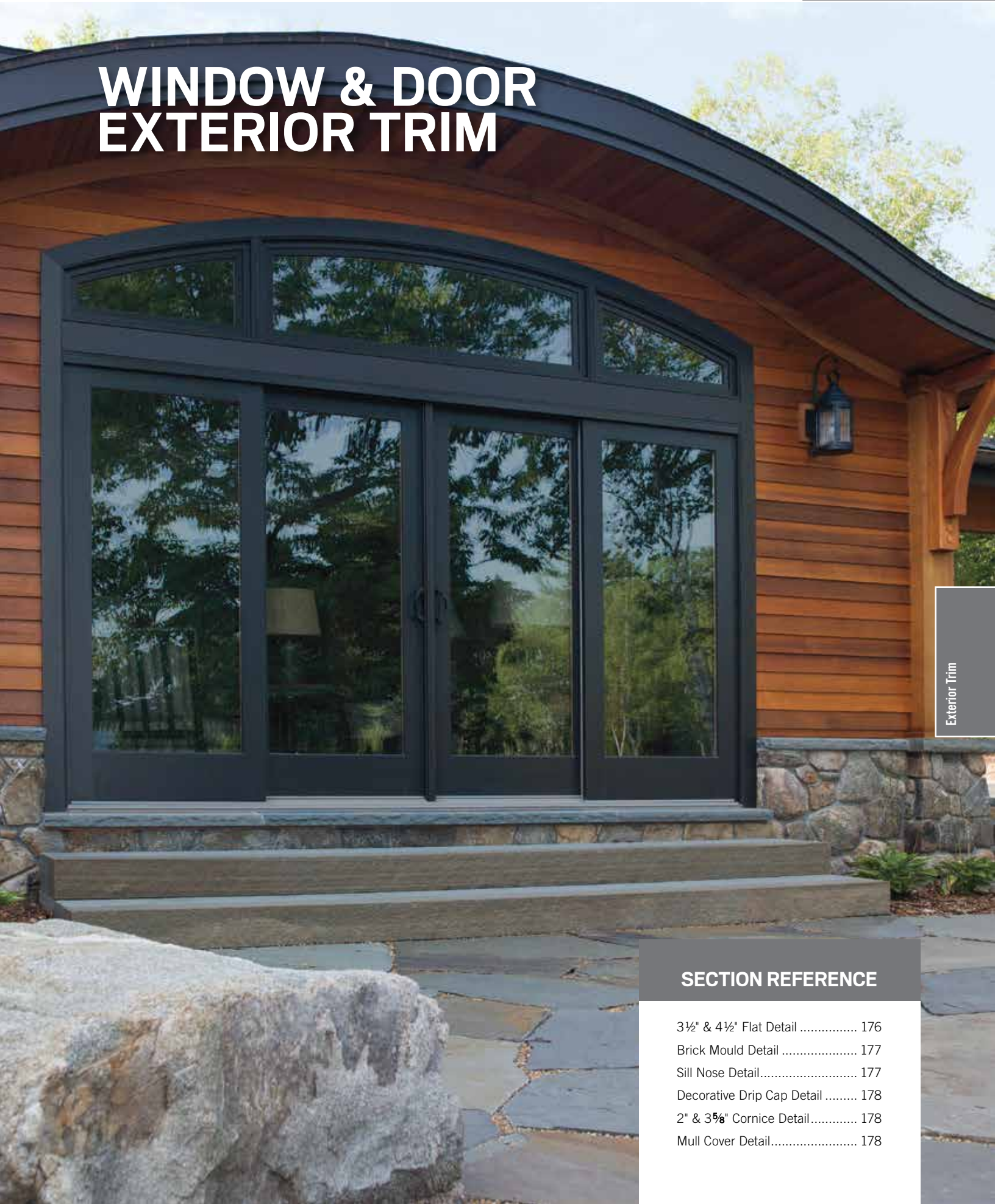
Scale 1 1/2" (38) = 1'-0" (305) – 1:8



- 4 9/16" (116) jamb depth measurement is from back side of installation flange.
- Light-colored areas are parts included with door. Dark-colored areas are additional Andersen® parts required to complete door assembly as shown.
- **Rough openings may need to be increased to allow for use of building wraps, flashing, sill panning, brackets, fasteners or other items. See installation information on pages 236-237.**
- Details are for illustration only and are not intended to represent product installation methods or materials. Refer to product installation guides at andersenwindows.com.
- Dimensions in parentheses are in millimeters.



WINDOW & DOOR EXTERIOR TRIM



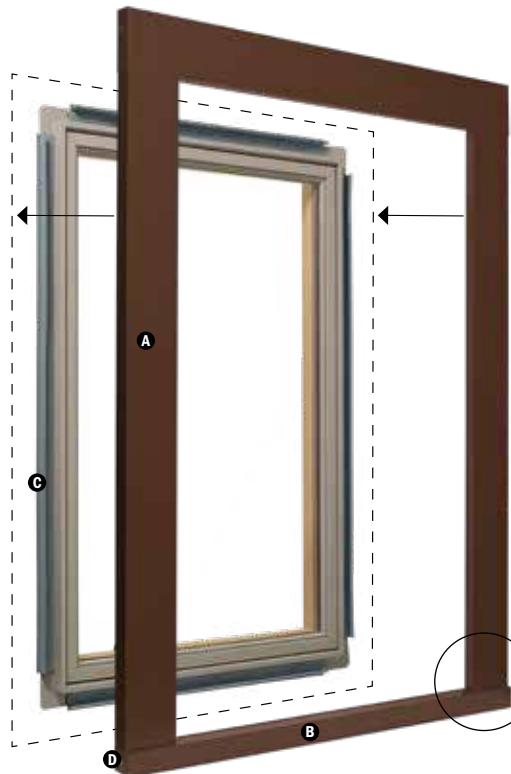
Exterior Trim

SECTION REFERENCE

3½" & 4½" Flat Detail	176
Brick Mould Detail	177
Sill Nose Detail.....	177
Decorative Drip Cap Detail	178
2" & 3⅝" Cornice Detail.....	178
Mull Cover Detail.....	178

EXTERIOR TRIM

FEATURES



Cocoa Bean trim with Sandtone window

ANDERSEN INNOVATION

- A** For exceptional long-lasting* performance, exterior trim is made from Fibrex® material or high-density urethane with low-maintenance exterior finishes.
- B** Sill nose profile, made from Fibrex material, is available for a traditional look.
- C** Trim is securely fastened to the home using factory-applied or field-applied attachment flange.
- D** Trim surrounds are assembled with corner keys and stainless fasteners for stability and strength.



Our Fibrex material is an environmentally smart composite that contains 40% pre-consumer reclaimed wood fiber by weight.

Visualizer & Video

An online trim visualizer and installation guides are available at andersenwindows.com/exteriortrim.

Exterior Trim System

Easier Installation

- Installs independently of water management system
- No nail holes to fill
- No visible fasteners
- No painting

Profiles

Exterior trim is available in four profiles made from our Fibrex material. Profiles include 3 1/2" (89) flat, 4 1/2" (114) flat, 2" (51) brick mould, and sill nose for the bottom trim piece.

Thick trim profiles overlap the window frame (as shown to the left) to create clean lines without visible sealant joints.

Drip Cap

Full-length, color-matched aluminum drip cap is included with kits and surrounds.

End Caps

Provide a clean appearance when joining two trim members.

Corner Keys

Provide tight alignment of corner joints.

Fasteners

Screws are made of high-quality stainless steel and provide corner joints with a secure, tight fit.

Head Trim Options

Three styles are available. All can be used with our flat trim and include an integrated nailing flange. The decorative drip cap is made from our Fibrex material. Both the 2" (51) cornice and 3 5/8" (92) cornice are made from highly durable urethane material. See head trim options on page 175.

Specialty Trim



Made of highly durable factory-finished urethane material for selected shapes. Contact your Andersen supplier for availability.

PROFILES



2" (51) Brick Mould
Canvas trim with Sandtone window.



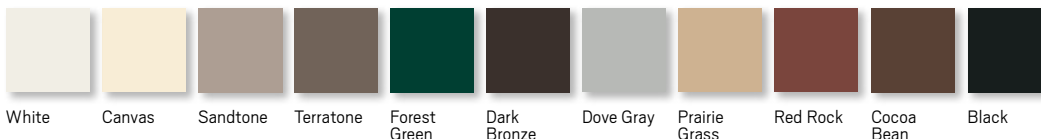
3 1/2" (89) or 4 1/2" (114) Flat
Shown with extended head. Red Rock trim with Sandtone window.



3 1/2" (89) or 4 1/2" (114) Flat
Terratone trim with Sandtone window.

COLORS

Trim can match or complement your window and door colors to create a wide range of combinations.

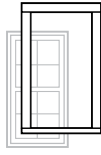


* See the A-Series Limited Warranty for exterior trim applied to A-Series products. Visit andersenwindows.com/warranty for details. Dimensions in parentheses are in millimeters. Printing limitations prevent exact duplication of colors. See your Andersen supplier for actual color samples.

Installation Options

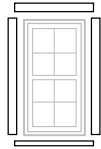
Preassembled Trim Surrounds

Factory-assembled surrounds install in seconds on A-Series windows with optional factory-applied exterior trim flange.



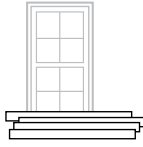
Precut Kits

Knock down kits include precut and predrilled trim with all the necessary components for on-site assembly for windows and patio doors up to 12' (3658) in width or height.



Individual Trim Components

13' (3962) factory-finished trim lineals, end caps, corner keys, fasteners, metal drip caps and field attachment strips allow for field fabrication and assembly.



ACCESSORIES Sold Separately

Fibrex® Trim Board



Andersen offers a 3 1/2" (89) wide by 3/4" (19) thick cellular Fibrex trim board in 10' (3048) lengths. Available in the same 11 colors as the exterior trim system, this solid trim board can be ripped to size and can be fastened using nails or screws.

Coil Stock



Factory-finished in any of our 11 exterior trim colors, our aluminum coil stock allows you to form your own profiles in the field. Made from .018-thick aluminum, coil stock is available in 24" (610) x 50' (15240) rolls. Color-matched stainless steel trim nails are also available and can be ordered in 1 lb or .454 kg boxes.

HEAD TRIM OPTIONS



Decorative Drip Cap
Shown with 3 1/2" Flat. Forest Green trim with Sandtone window.



2" (51) Cornice
Shown with 3 1/2" Flat. Prairie Grass trim with Sandtone window.



3 5/8" (92) Cornice
Shown with 3 1/2" Flat. White trim with Sandtone window.

SILL OPTIONS

Mix and match trim to create a variety of combinations. Not all sill options are shown.



Brick Mould
Shown with extended sill nose. Terratone trim with White window.



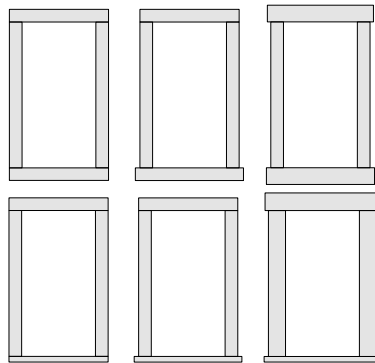
3 1/2" (89) or 4 1/2" (114) Flat
Shown with extended sill nose. Terratone trim with Red Rock window.



3 1/2" (89) 4 1/2" (114) Flat
Shown with 3 1/2" Flat. White trim with White window.

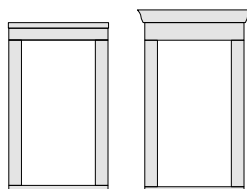
TRIM COMBINATIONS

3 1/2" (89) Flat or 4 1/2" (114) Flat



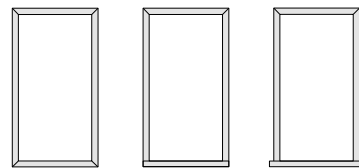
Flat trim can be used on all four sides either flush or extended at the head or sill. Combine 3 1/2" (89) and 4 1/2" (114) flat trim or use with a flush or extended sill nose.

Decorative Drip Cap and Cornices



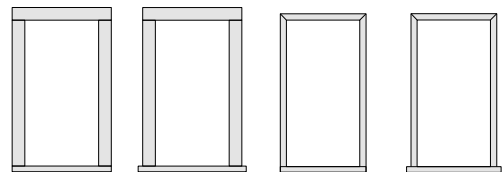
Decorative drip cap or cornices can be used above flat trim at the head.

Brick Mould



Brick mould can be used on all four sides or with a flush or extended sill nose.

Sill Nose



Sill nose can be used with flat trim or brick mould. It can be applied flush or extended at the sill.

Not all trim options and/or combinations are shown. Contact your Andersen supplier for more information.

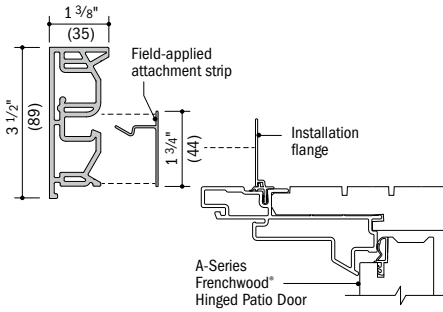
Dimensions in parentheses are in millimeters. Printing limitations prevent exact duplication of colors. See your Andersen supplier for actual color samples.

EXTERIOR TRIM

Window and Patio Door Attachment

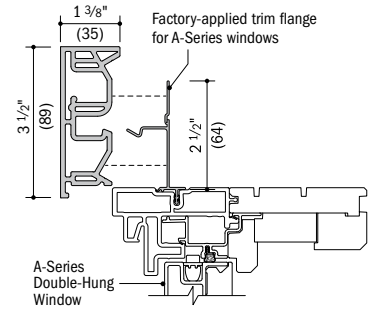
Field-Applied Attachment Strip

Field-applied attachment strip fastens to framing through window or patio door installation flange and flashing tape with screws. Exterior trim connects securely to the field-applied attachment strip. Follow window & patio door installation guides for flashing instructions.



Factory-Applied Trim Flange

Factory-applied trim flanges are also available. Exterior trim connects securely to the trim flange already in place.



3 1/2" Flat and 4 1/2" Flat

3 1/2" (89) flat with flush corner

4 1/2" (114) flat with 1" (25) extended corner

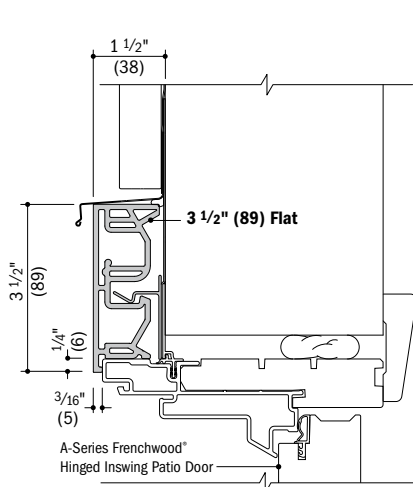
End caps are handed as viewed from the exterior.

For A-Series patio doors, end caps are used at the sill.

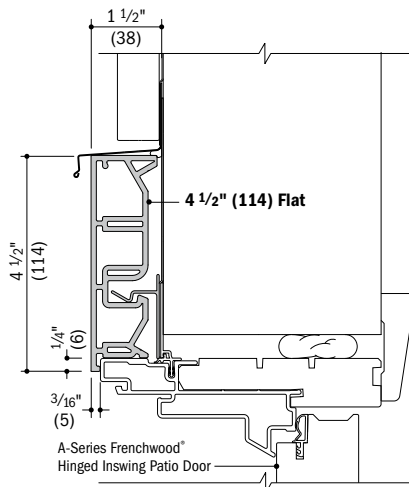
Formula for dimension of window/door plus exterior trim:
Add 4 1/4" (108) per side for 4 1/2" (114) flat
Add 3 1/4" (83) per side for 3 1/2" (89) flat

Trim Details

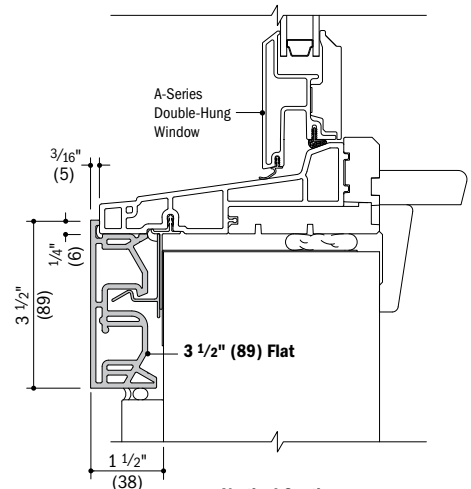
Scale 3" (76) = 1'-0" (305) – 1:4



Vertical Section
3 1/2" (89) Flat Trim at Head
A-Series Frenchwood Hinged Inswing Patio Door



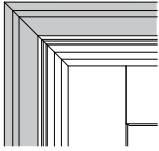
Vertical Section
4 1/2" (114) Flat Trim at Head
A-Series Frenchwood Hinged Inswing Patio Door



Vertical Section
3 1/2" (89) Flat Trim at Sill
A-Series Double-Hung Window

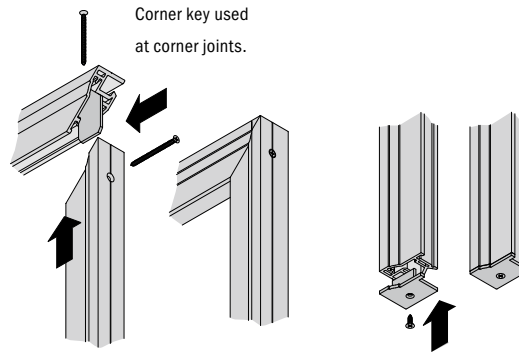
- Typical trim combinations shown. Additional combinations may also be used. Some restrictions apply. For more information contact your Andersen supplier.
- Dimensions in parentheses are in millimeters.
- Details are for illustration only and are not intended to represent product installation methods or materials. Refer to product installation guides at andersenwindows.com.

Brick Mould



Brick mould with mitered corners

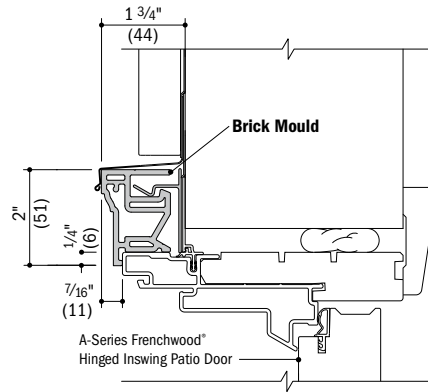
Formula for dimension of window/door plus exterior trim:
Add 1 3/4" (44) per side for brick mould



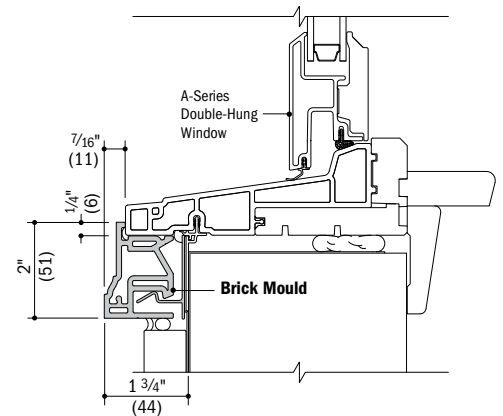
For A-Series patio doors, end caps are used at the sill.

Trim Details

Scale 3" (76) = 1'-0" (305) – 1:4



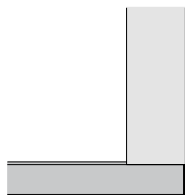
Vertical Section
Brick Mould at Head
A-Series Frenchwood® Hinged Inswing Patio Door



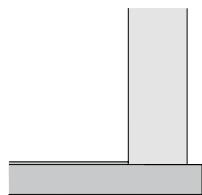
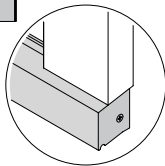
Vertical Section
Brick Mould at Sill
A-Series Double-Hung Window

Exterior Trim

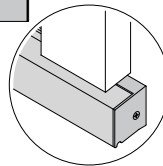
Sill Nose



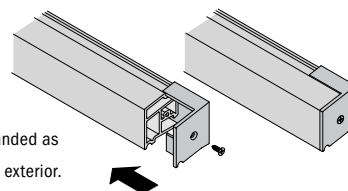
Sill nose and 3 1/2" (89) flat with flush corner



Sill nose and 3 1/2" (89) flat with 1" (25) extended corner



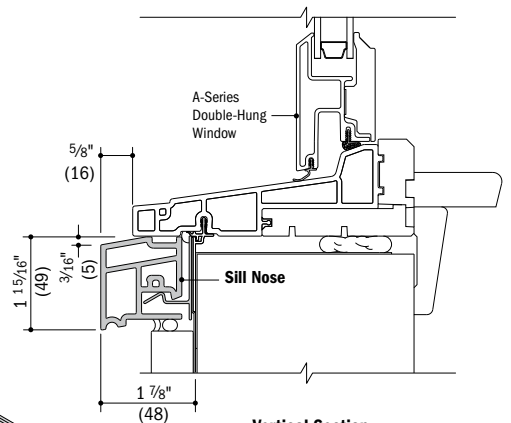
Formula for dimension of window plus exterior trim:
Add 1 15/16" (49) for sill nose



End caps are handed as viewed from the exterior.

Trim Detail

Scale 3" (76) = 1'-0" (305) – 1:4

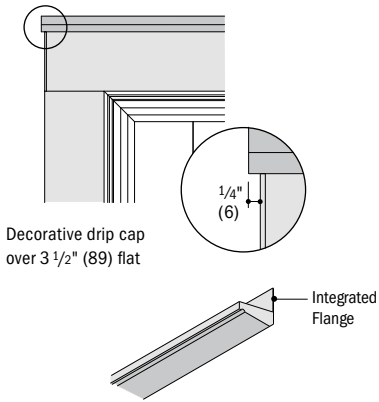


Vertical Section
Sill Nose/A-Series Double-Hung Window

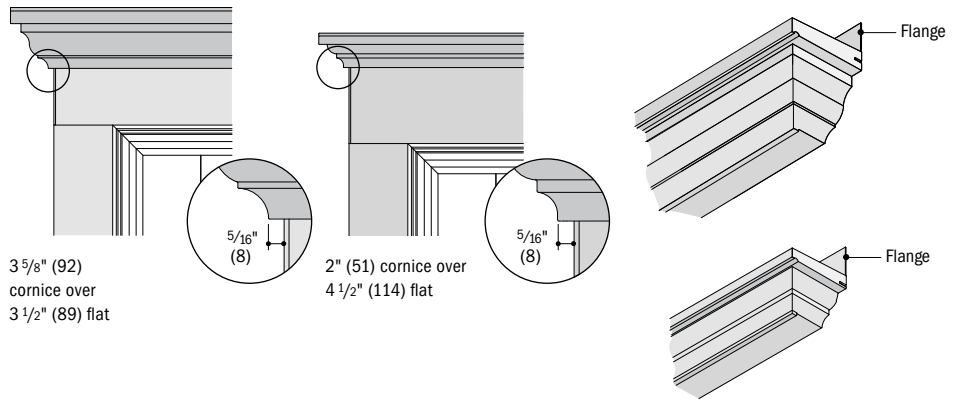
• Typical trim combinations shown. Additional combinations may also be used. Some restrictions apply. For more information contact your Andersen supplier.
• Dimensions in parentheses are in millimeters.
• Details are for illustration only and are not intended to represent product installation methods or materials. Refer to product installation guides at andersenwindows.com.

EXTERIOR TRIM

Decorative Drip Cap

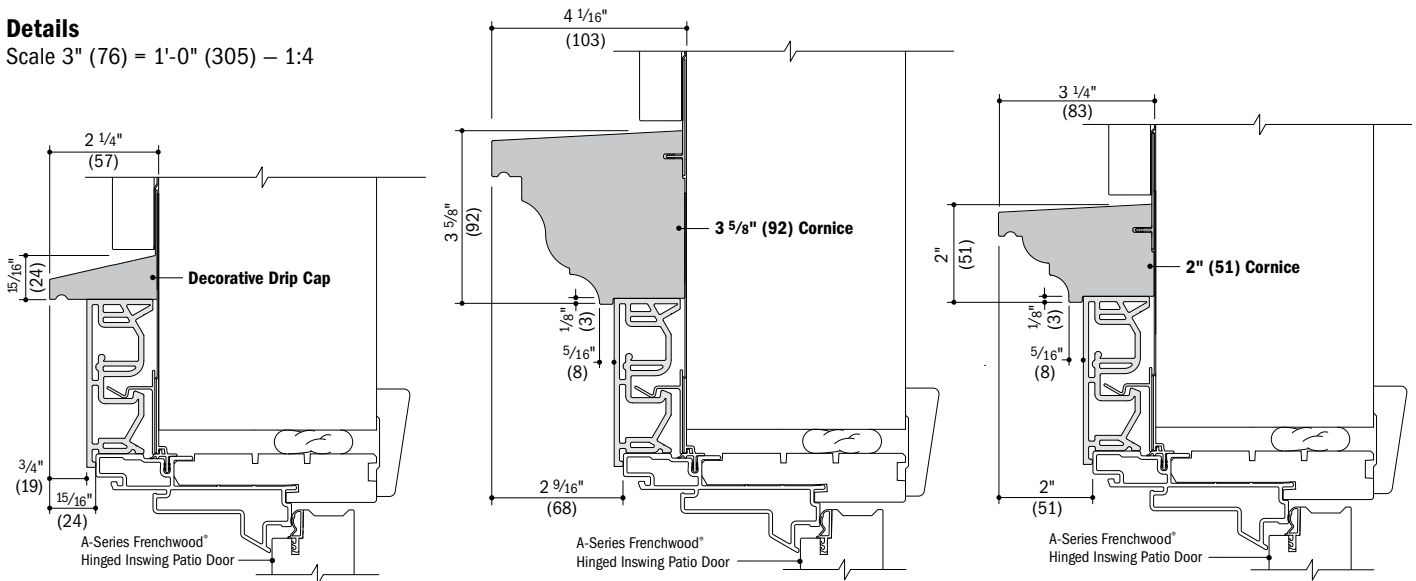


Cornices



Details

Scale 3" (76) = 1'-0" (305) - 1:4



Vertical Section

Decorative Drip Cap over 3 1/2" (89) Flat
A-Series Frenchwood® Hinged Inswing Patio Door

Vertical Section

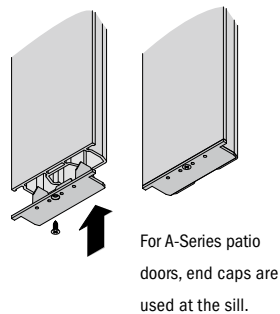
3 5/8" (92) Cornice over 3 1/2" (89) Flat
A-Series Frenchwood® Hinged Inswing Patio Door

Vertical Section

2" (51) Cornice over 3 1/2" (89) Flat
A-Series Frenchwood® Hinged Inswing Patio Door

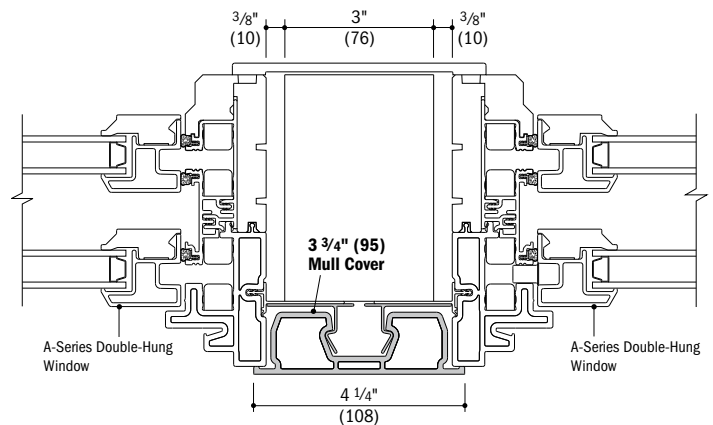
Mull Cover

3 3/4" (95) mull cover is available for installations where windows or patio doors have been installed into separate rough openings to obtain a joined appearance.



Separate Rough Opening Detail

Scale 3" (76) = 1'-0" (305) - 1:4



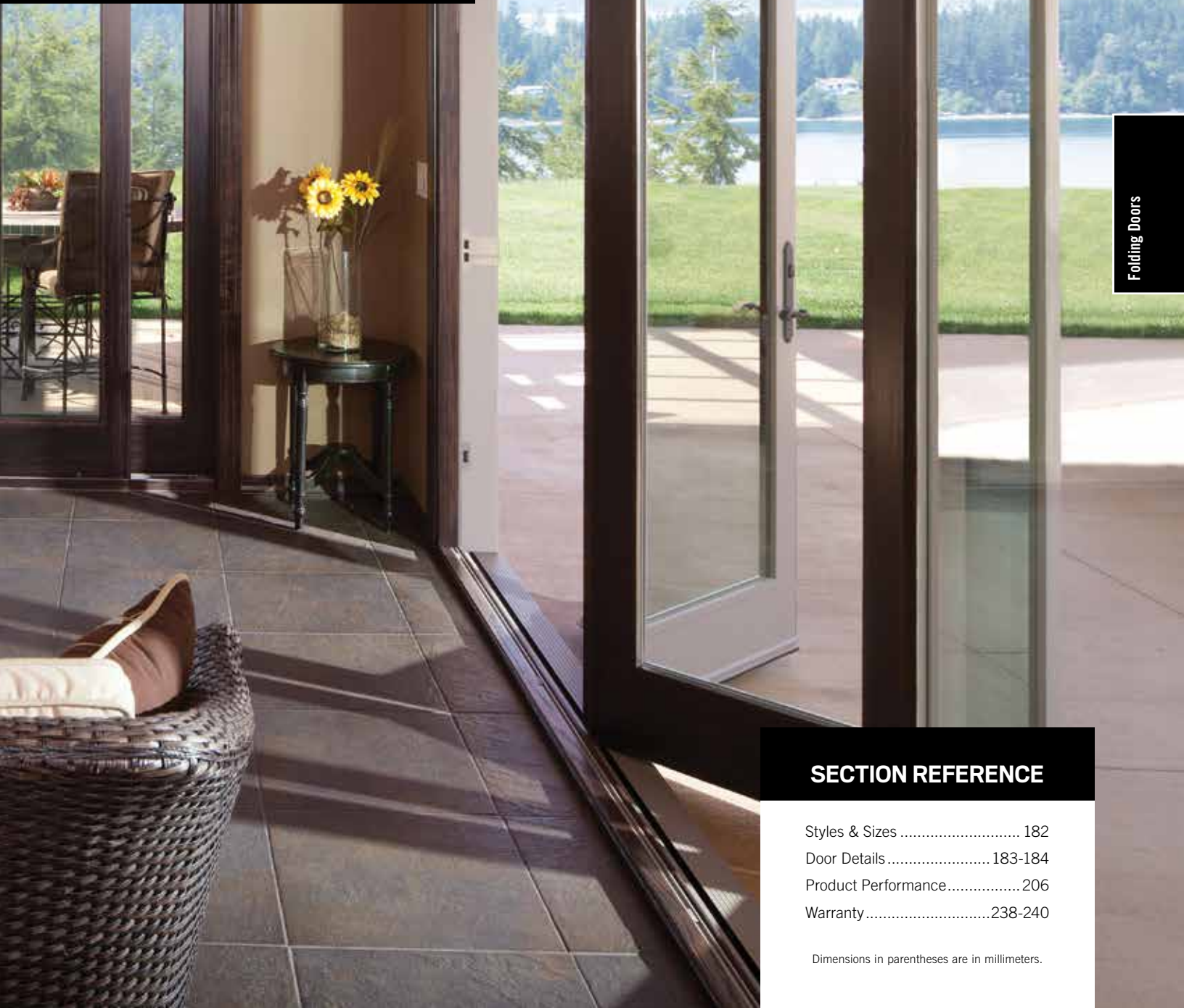
Horizontal Section

A-Series Double-Hung Windows with Mull Cover

- Typical trim combinations shown. Additional combinations may also be used. Some restrictions apply. For more information contact your Andersen supplier.
- Dimensions in parentheses are in millimeters.
- Details are for illustration only and are not intended to represent product installation methods or materials. Refer to product installation guides at andersenwindows.com.
- Consult with an architect or structural engineer regarding minimum requirements for structural support members between adjacent rough openings.

FOLDING DOORS

CUSTOM SIZING
in 1/8" (3) increments



Folding Doors

SECTION REFERENCE

Styles & Sizes	182
Door Details	183-184
Product Performance.....	206
Warranty.....	238-240

Dimensions in parentheses are in millimeters.

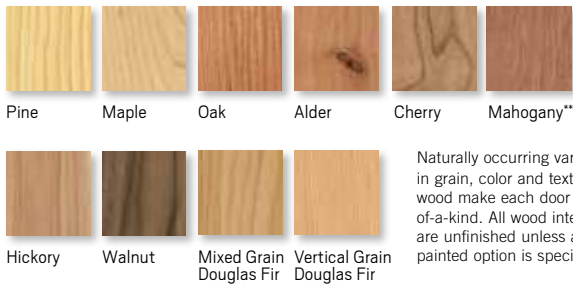
FOLDING DOORS

EXTERIOR CLAD Custom colors available.



INTERIOR

WOOD SPECIES Additional wood species available.



Naturally occurring variations in grain, color and texture of wood make each door one-of-a-kind. All wood interiors are unfinished unless a painted option is specified.

PAINTED OPTIONS Available on pine.



HARDWARE FINISHES



Distressed bronze and oil rubbed bronze are "living" finishes that will change with time and use. Bright brass and satin nickel finishes feature a 10-year limited warranty.

HARDWARE OPTIONS Sold separately.

FSB® STAINLESS STEEL HARDWARE IS ALSO AVAILABLE. Sold separately, see page 10 for more information.



Bold name denotes finish shown.

* Actual wood is Sapele, a non-endangered species of mahogany grown in Africa, with color and characteristics similar to American mahoganies. Printing limitations prevent exact duplication of colors and finishes. See your Andersen supplier for actual color and finish samples.

Tribeca and Albany hardware are zinc diecast with powder-coated durable finish. Other hardware is solid forged brass. Mix and match interior and exterior style and finish options are available.

FEATURES

When closed, these folding outswing doors create a stately wall of light. When open, they transform a room into a gateway to the world outside. With standard or custom panel designs, configurations up to 48' (14630) wide and operating modes that let you open the doors from the left, right or center, Andersen® folding outswing doors will impress even the most demanding customers.

Frame

A Heavy-duty extruded aluminum cladding protects the exterior from the elements. Both frame and panels are available with wood exteriors as a special product request.

B The engineered wood frame members are treated with a water-repellent wood preservative for long-lasting* protection and performance.

Panel

The aluminum-clad panel has a dual weatherstrip design at the bottom and along the panel edges, providing a weathertight seal. Available in traditional style with two bottom rail heights of 8" (203) and 12" (305) and a contemporary style with 4 11/16" (119) stiles and rails.

Exterior Finish

The aluminum exterior frame and clad panels feature a durable, low-maintenance AAMA 2605 finish.

Sill

Three sill options are available:

C The on-floor drainage sill offers a PG 40 rating for sizes up to 24' (7315) wide and 8' (2438) and PG 30 rating for sizes up to 24' (7315) wide and 10' (3048) tall, and is available in painted gray or dark bronze.

D The flush sill option places the track even with the finished floor.

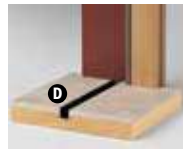
E The on-floor low-threshold sill option provides easy accessibility. Available in painted gray or dark bronze.



On-Floor Drainage Sill



Flush Sill



On-Floor Low-Threshold Sill



Glass

Panels are silicone bed glazed and finished with an interior wood stop.

High-Performance glass options include:

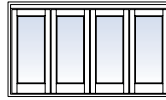
- Low-E4® tempered glass
- Low-E4 HeatLock® tempered glass
- Low-E4 Sun tempered glass
- Low-E4 SmartSun™ tempered glass
- Low-E4 SmartSun HeatLock tempered glass

Additional glass options are available. Contact your Andersen supplier.

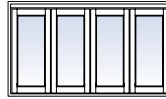
A removable translucent film helps shield the glass from damage during delivery and construction and also simplifies finishing at the jobsite.

Panel Styles

Available in two traditional styles with bottom rail heights of 8" (203) and 12" (305) and a contemporary style with equal stiles and rails.



Traditional, 8" (203) Bottom Rail



Contemporary

Hardware

Multi-Point Locking System



The folding door has a multi-point locking system with a hook bolt above and below the center deadbolt along with flush bolts on the non-active panels that lock into the head and sill. This system provides a weathertight seal and enhanced security. The flush bolts and pull handles are available in a matte black or satin stainless steel finish.

Pull Handle



Flush Bolt



ACCESSORIES Sold Separately

Frame

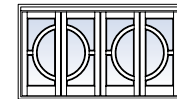
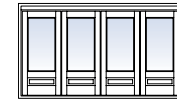
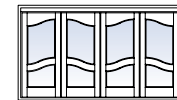
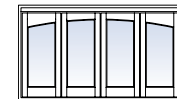
Extension Jamb

Standard jamb depth is 6 3/16" (167). Interior extension jamb are available in 1/16" (1.5) increments between 5 1/16" (129) and 12" (305).

Custom Panels**

Rectangular panels are available with virtually any design. See your Andersen supplier for details.

Custom Panel Examples



Exterior Trim Options

Aluminum Brick Mould

Aluminum brick mould is optional for clad folding doors.

Wood Brick Mould

Wood brick mould is pre-applied and comes standard on wood folding doors. See page 183 for details.

Insect Screens

Retractable insect screens are available, contact your Andersen supplier for details.

Hardware

See pages 10-11 for hardware styles and finish options, including new FSB® hardware.

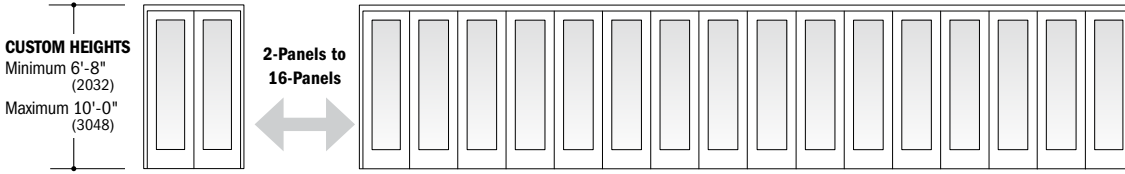
* Visit andersenwindows.com/warranty for details.

** Custom panels utilize a different product design that includes the use of a proud glazing bead. Dimensions in parentheses are in millimeters

FOLDING DOORS

Folding Door Styles and Sizes

Scale 1/8" (3) = 1'-0" (305) – 1:96



CUSTOM WIDTHS

Number of Panels	Minimum to Maximum	Number of Panels	Minimum to Maximum	Number of Panels	Minimum to Maximum
2-Panel	3'-2 1/4" (972) to 6'-8 1/8" (2035)	7-Panel	10'-9 1/4" (3283) to 22'-11 7/8" (7007)	12-Panel	18'-5 1/8" (5617) to 39'-4 1/8" (11992)
3-Panel	4'-8 5/8" (1438) to 9'-11 1/4" (3029)	8-Panel	12'-4 1/2" (3772) to 26'-3 1/8" (8004)	13-Panel	19'-10 1/4" (6052) to 42'-7 1/8" (12983)
4-Panel	6'-3 7/8" (1927) to 13'-2 1/4" (4020)	9-Panel	13'-9 3/8" (4207) to 29'-6 1/2" (9004)	14-Panel	21'-5 3/8" (6537) to 45'-10 1/2" (13983)
5-Panel	7'-9" (2362) to 16'-5 5/8" (5020)	10-Panel	15'-4 3/4" (4693) to 32'-9 7/8" (10004)	15-Panel	22'-10 1/4" (6966) to 48'-0" (14630)
6-Panel	9'-9 1/8" (2975) to 19'-8 3/4" (6013)	11-Panel	16'-9 7/8" (5128) to 36'-0 3/4" (10992)	16-Panel	24'-4 7/8" (7439) to 48'-0" (14630)

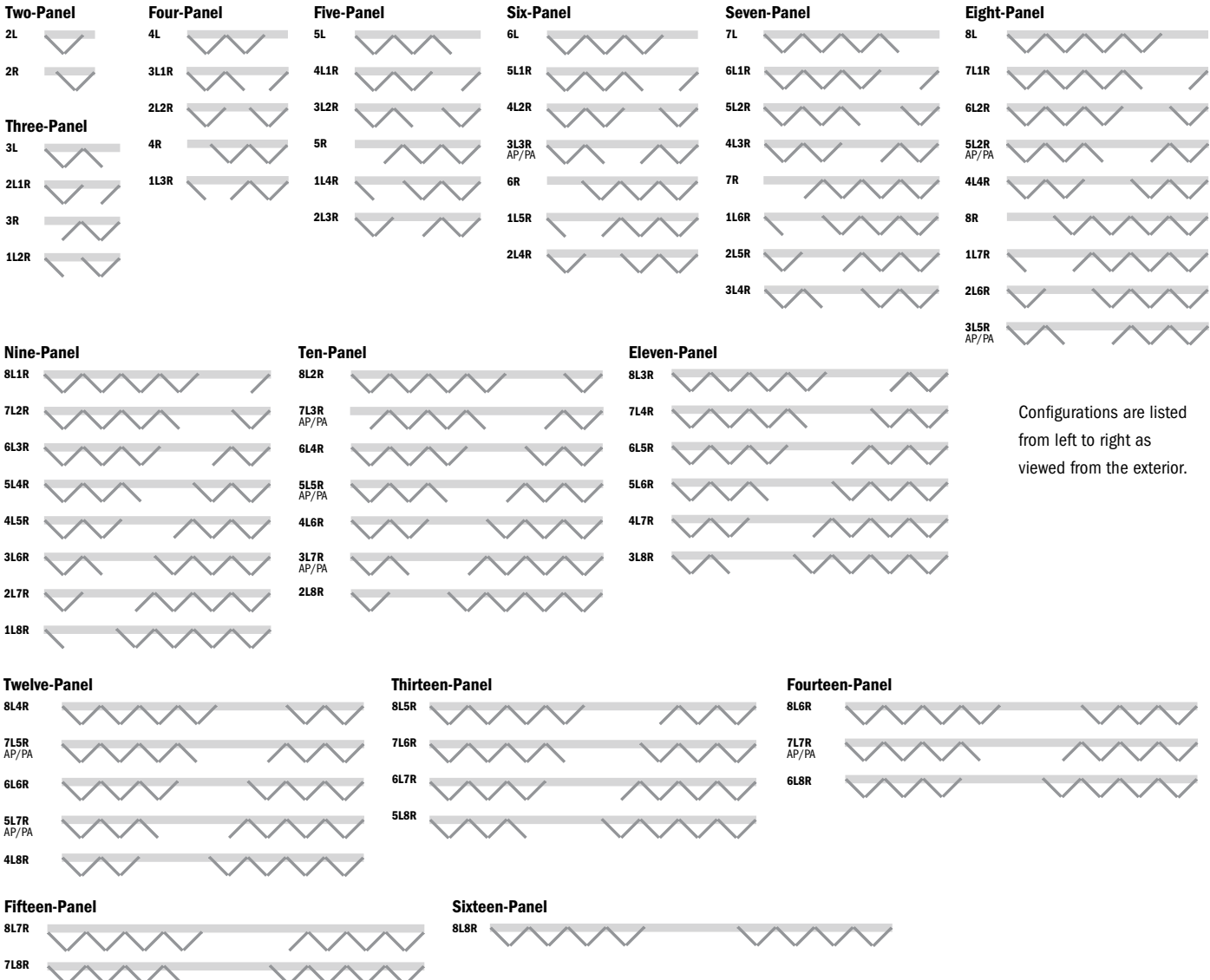
- "Minimum to Maximum" door width dimensions refers to frame to frame dimension.
- Dimensions in parentheses are in millimeters.



Custom sized in 1/8" (3) increments. Contact your Andersen supplier for additional dimensions and specifications.

Doors open to the exterior. Traditional panel shown, see page 184 for additional panel styles.

Panel Configurations



Configurations are listed from left to right as viewed from the exterior.

Design Criteria

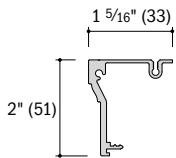
To allow for proper performance and operation, verify the structural integrity of the header such that the maximum deflection with live and dead loads is limited to the lesser of L/750 of the span and 1/4" (6). The maximum weight per panel with Low-E4°, SmartSun™ or Sun glass is 200 pounds or 90 kg. Weights using alternate glazings will need to be provided by Andersen.

Construction

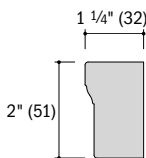
The standard construction of the folding door is an aluminum clad exterior with a rich wood interior. Clad folding door details are shown. Wood folding doors are also available, visit andersenwindows.com/foldingdoors for more information.

Exterior Trim

Choose optional aluminum brick mould for clad folding doors; wood brick mould is standard on wood folding doors.



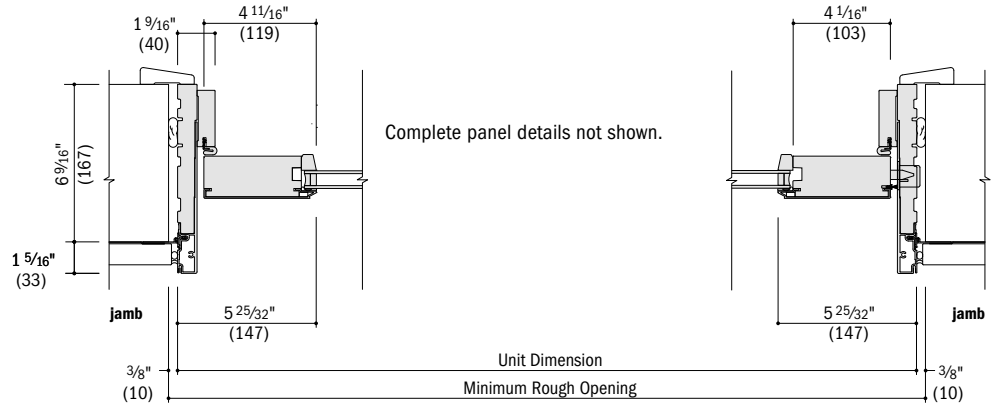
Optional Aluminum Brick Mould
Clad Folding Doors



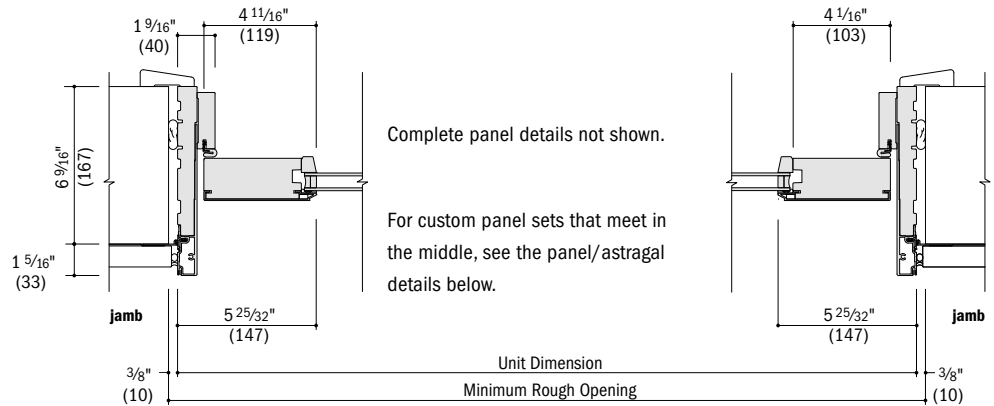
Wood Brick Mould
Wood Folding Doors

Folding Doors - Traditional/Contemporary Panel Details

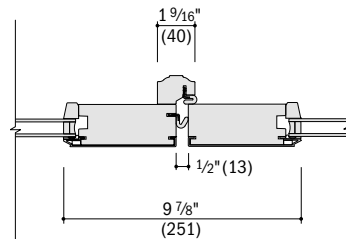
Scale 1 1/2" (38) = 1'-0" (305) – 1:8



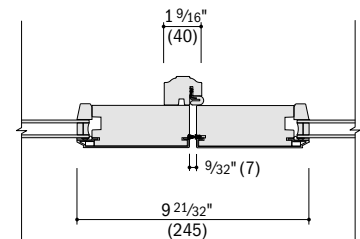
Horizontal Section
Stationary Jamb/Operating Jamb



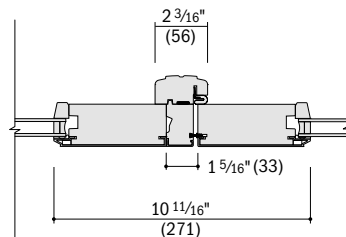
Horizontal Section
Stationary Jamb/Stationary Jamb



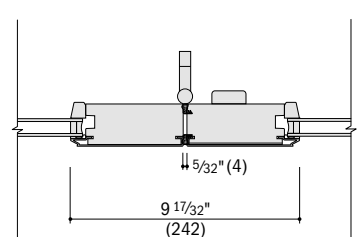
Horizontal Section
Astragal, Leading/Leading



Horizontal Section
Astragal, Leading/Active



Horizontal Section
Astragal, Passive/Active



Horizontal Section
Hinge

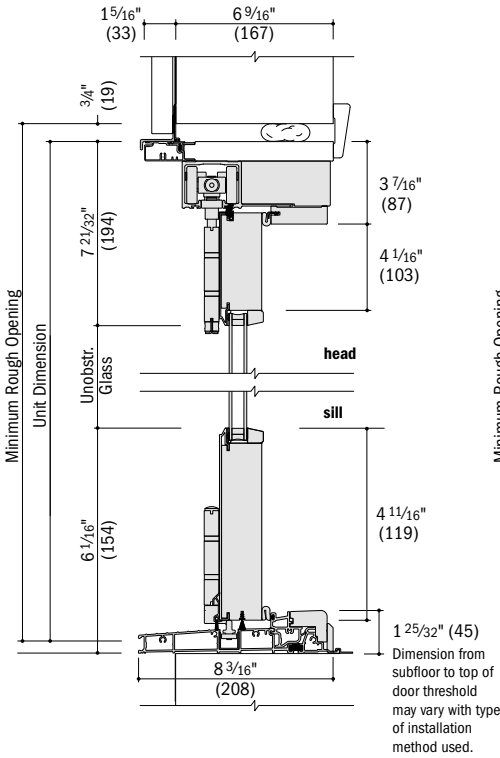
- 6 9/16" (167) jamb depth measurement is from backside of installation flange to inside edge of door frame.
- Light-colored areas are included with the door unit. Dark-colored areas are additional Andersen® parts required to complete door assembly as shown and must be specified.
- Rough openings may need to be increased to allow for use of building wraps, flashing, sill panning, brackets, fasteners or other items. See installation information on pages 236-237.
- Details are for illustration only and are not intended to represent complete or appropriate product installation methods or materials for application. Refer to product installation guide.
- Dimensions in parentheses are in millimeters.
- Clad folding door details are shown. Wood folding door details are available at andersenwindows.com/foldingdoors.

Folding Doors

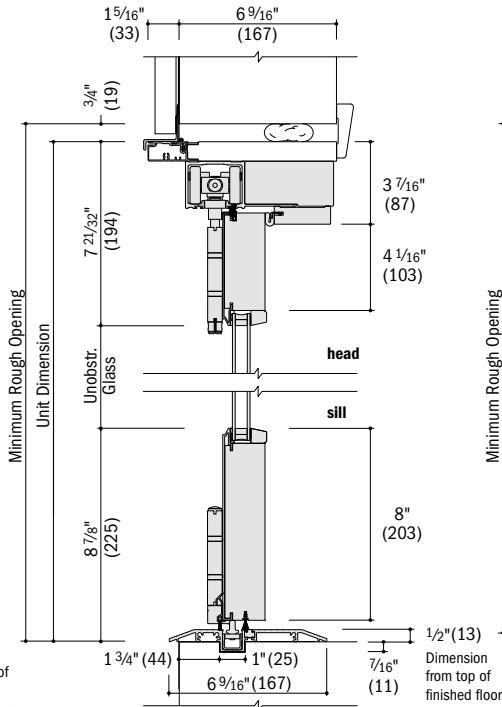
FOLDING DOORS

Folding Doors - Traditional Panel Details

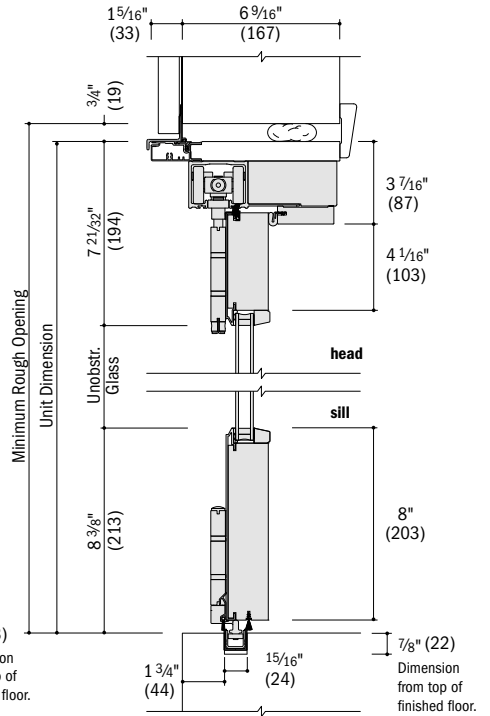
Scale 1 1/2" (38) = 1'-0" (305) - 1:8



Vertical Section
Traditional Panel, On-Floor Drainage Sill



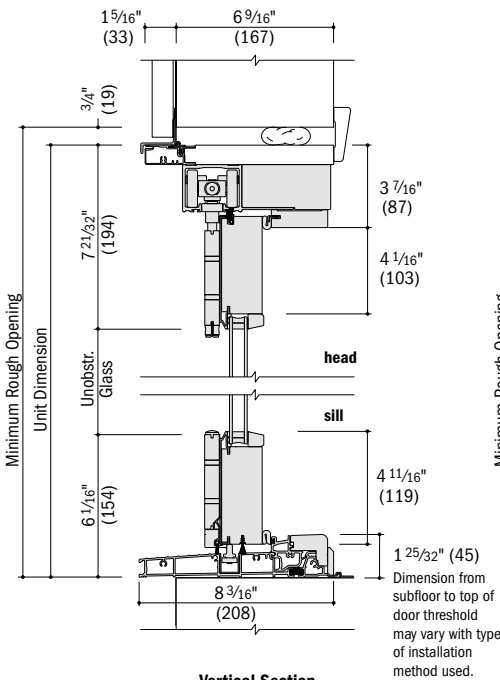
Vertical Section
Traditional Panel, On-Floor Low-Threshold Sill



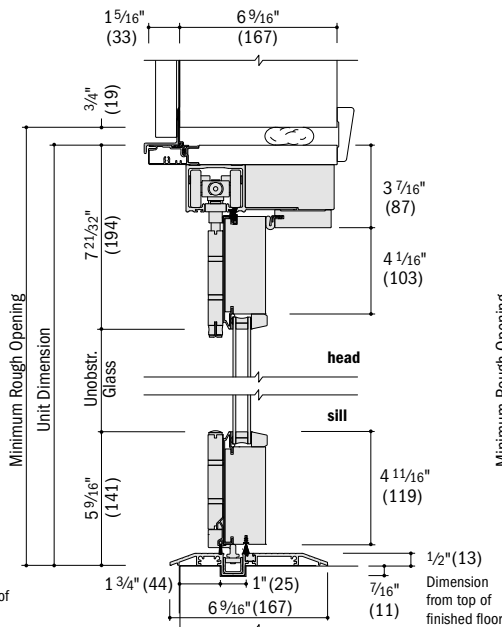
Vertical Section
Traditional Panel, Flush Sill (track-in-floor)

Folding Doors - Contemporary Panel Details

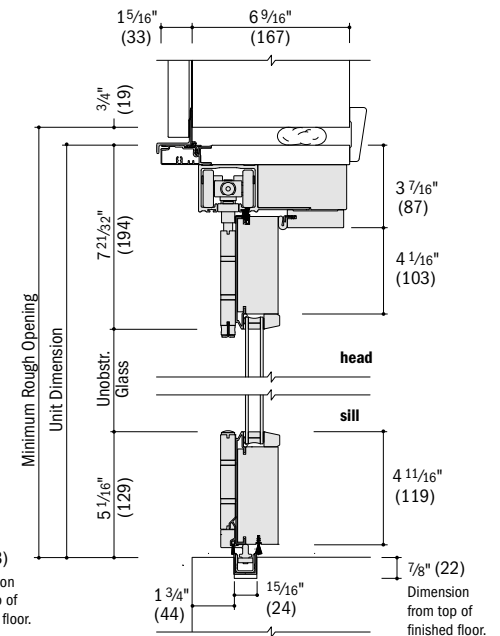
Scale 1 1/2" (38) = 1'-0" (305) - 1:8



Vertical Section
Contemporary Panel, On-Floor Drainage Sill



Vertical Section
Contemporary Panel, On-Floor Low-Threshold Sill



Vertical Section
Contemporary Panel, Flush Sill (track-in-floor)

- 6 9/16" (167) jamb depth measurement is from back side of installation flange to inside edge of door frame.
- Light-colored areas are included with the door unit. Dark-colored areas are additional Andersen® parts required to complete door assembly as shown and must be specified.
- **Rough openings may need to be increased to allow for use of building wraps, flashing, sill panning, brackets, fasteners or other items. See installation information on pages 236-237.**
- Details are for illustration only and are not intended to represent complete or appropriate product installation methods or materials for application. Refer to product installation guide.
- Dimensions in parentheses are in millimeters.
- Clad folding door details are shown. Wood folding door details are available at andersenwindows.com/foldingdoors.

ENTRANCEWAYS



SECTION REFERENCE

Residential Springline™ Entry Doors

Door Dimensions &
Specifications 187

Door Details 188-189

Residential Arch & Rectangular Entry Doors

Door & Sidelight
Dimensions &
Specifications 190-193

Door & Sidelight Details... 194-196

Joining Details..... 197

Entry Door Transoms

Transom Dimensions
& Specifications 198-199

Transom Details
& Joining Details 199-200

Commercial Outswing

Entry Doors 201

Door & Sidelight
Dimensions &
Specifications 202-203

Door & Sidelight Details..... 205

Product Performance..... 206

Warranty..... 238-240

Dimensions in parentheses are in millimeters.

CUSTOM SIZING
in 1/8" (3) increments



RESIDENTIAL ENTRY DOORS

FEATURES

Frame

A Heavy-duty extruded aluminum cladding protects the frame exterior, providing low-maintenance durability. Standard cladding finish meets AAMA 2604. An optional finish that meets the AAMA 2605 standard is also available.

Installation flange extends 1 1/2" (38) around three sides of the unit to help properly position the unit in the opening. Installation clips are standard for increased structural anchoring to building members. Mounted around the frame perimeter, the clips rotate into position and can be bent into place against the framing members to suit all jamb conditions.

B Wood frame members are treated with a water-repellent wood preservative for long-lasting* protection and performance. Radii are made of laminated continuous veneers. Lineal components are engineered wood with a pine core.

C Extruded aluminum sill is thermally broken and available in painted bronze or gray finish. Innovative sill design provides superior water management. Standard outswing sills have an oak cap. Maple or mahogany** are optional. Inswing sills have an interior wood trim strip to match the interior finish.

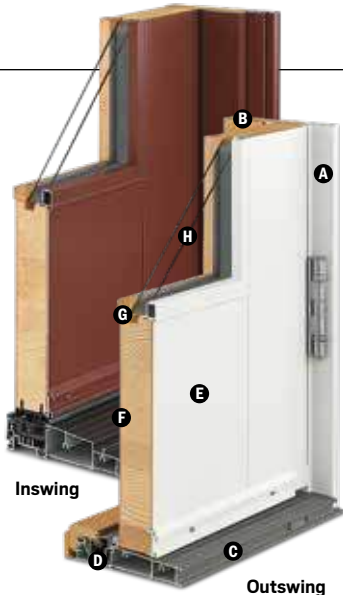
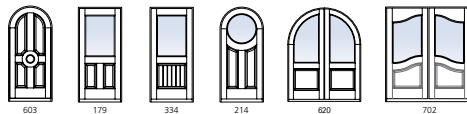
D One-piece compression weatherstripping at the frame sides and head protects against air and water infiltration. Flexible thermoplastic sweep is featured at the bottom of the panel on inswing units. Outswing doors also feature a polypropylene rain skirt at the panel sides and top for added protection.

Panel

E Heavy-duty extruded aluminum cladding protects the panel exterior, providing low-maintenance durability. Panels also available without cladding.

Panel Designs

For custom panel design ideas, visit andersenwindows.com/entrydoors.



F Panel interior surfaces are unfinished wood veneers. Available species are pine, maple, oak, alder, cherry, mahogany**, hickory, walnut, along with mixed and vertical grain douglas fir. Available prefinished in all interior color options.

G Silicone glazing bead combined with two-sided silicone tape provides superior weathertightness.

Glass

H High-Performance glass options include: Low-E4® tempered glass, Low-E4 HeatLock® tempered glass, Low-E4 Sun tempered glass, Low-E4 SmartSun™ tempered glass, Low-E4 SmartSun HeatLock tempered glass. Additional glass options are available. Contact your Andersen supplier.

A removable translucent film helps shield the glass from damage during delivery and construction and also simplifies finishing at the jobsite.

Hardware

Multi-Point Locking System/Expanded Offering

Residential entry doors have a multi-point locking option with a hook bolt above and below the center deadbolt. This system provides a weathertight seal and enhanced security. Mix-and-match style and finish options are available to get just the right look inside and out. See pages 10-11.

Hinges

Ball-bearing hinges are standard on outswing entry doors and are available in stainless steel, dark bronze and white finishes to complement hardware trim sets.

Adjustable hinges are standard on inswing entry doors and have ball-bearing pivots for smooth, frictionless movement and feature easy horizontal and vertical adjustments, plus a quick-release feature for easy panel removal. This feature is ideal for transporting large units up stairs or to other hard-to-reach areas.

Gold dust finish is standard on wood interior doors. For units with a prefinished White interior, white finish hinges are standard. Also available in finishes that coordinate with most hardware.

Aftermarket Hardware

For hardware purchased separately, doors can be ordered predrilled for easy on-site installation. They can also be specified without hardware drilling.

Operation

Inswing and outswing units are available. Choose left-hinged, right-hinged or stationary as viewed from the exterior.

Sill

A low-threshold commercial sill is also available. See page 201.

ACCESSORIES Sold Separately

Frame

Extension Jamb

Inswing and outswing standard jamb depth is 4 3/8" (116). Inswing is also available in a 6 3/16" (167) jamb depth. Interior extension jamb are available in 1/16" (1.5) increments between 4 3/8" (116) and 7 1/8" (181). Additional dimensions are available. Contact your Andersen supplier for more information.

Interior extension jamb on inswing units will restrict the full opening of the door.

Casings

Curved interior casings are available in the same profiles as other Andersen® products. Curved exterior aluminum and wood casings are available in matching radii and a variety of profiles. See page 73.

Hardware

Handle Extension

Handle extensions extend interior door handles an additional 1" (25) from the door panel to accommodate interior blinds or shades. A second extender may be added to the spindle to increase the length an additional 1" (25) to a 2" (51) total extension. Extenders and spindles are sold separately. Extenders are available in finishes that coordinate with hardware.

Exterior Keyed Lock

A six-pin key cylinder lock is available in styles and finishes that coordinate with hardware. This lock allows the door to be locked and unlocked from the exterior.

Hardware Options

See pages 10-11 for hardware styles and finish options, including new FSB® hardware. Hardware sold separately.

Grilles & Art Glass

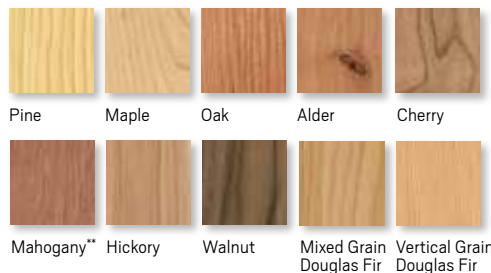
Grilles are available in a variety of configurations and widths. Decorative insulated art glass designs are available.

EXTERIOR CLAD Custom colors available.



EXTERIOR/INTERIOR

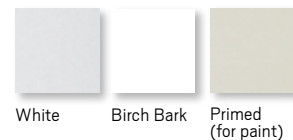
WOOD SPECIES Additional wood species available.



Naturally occurring variations in grain, color and texture of wood make each door one-of-a-kind. All wood interiors are unfinished unless a painted option is specified. Printing limitations prevent exact duplication of colors and finishes. See your Andersen supplier for actual color and finish samples.

INTERIOR

PAINTED OPTIONS Available on pine.



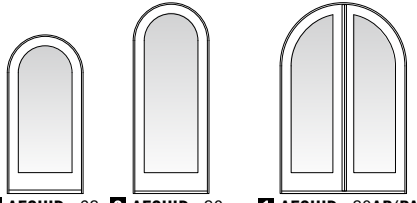
Canvas, Sandtone, Terratone, Forest Green, Dark Bronze, Dove Gray, Prairie Grass, Red Rock, Cocoa Bean and Black painted options are also available (colors shown to left).

* Visit andersenwindows.com/warranty for details.

** Actual wood is Sapele, a non-endangered species of mahogany grown in Africa, with color and characteristics similar to American mahoganies.

Dimensions in parentheses are in millimeters.

"FSB" is a registered trademark of Franz Schneider Brakel GmbH & Co.



1 AESHIDxx68 2 AESHIDxx80 1 AESHIDxx80AP/PA



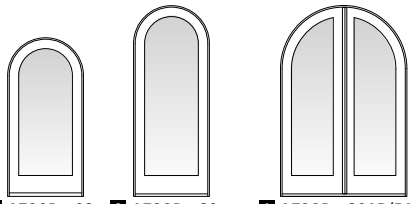
Custom-size doors are available in 1/8" (3) increments.

Available in custom designed panels, see page 186. Stationary doors are also available (i.e. AESHID3080S or AESHID4080SS).

Springline™ Inswing Entry Door Dimensions and Specifications

Door Number	Number of Panels Open*	Door Dimensions			Min. Rough Opening		Clear Opening Area Sq. Ft./ (m ²)	Clear Opening Maximums			Vent Area Sq. Ft./ (m ²)	Overall Door Area Sq. Ft./ (m ²)	
		Radius Inches/(mm)	Shoulder Height Inches/(mm)	Width Inches/(mm)	Height Inches/(mm)	Width Inches/(mm)		Height Inches/(mm)	90° Width Inches/(mm)	Full Width Inches/(mm)			Height Inches/(mm)
AESHID3068	1	18 7/8" (479)	63 1/8" (1603)	37 11/16" (957)	82" (2083)	38 3/16" (970)	82 1/2" (2096)	14.92 (1.39)	32 13/16" (833)	34 7/8" (886)	61 5/8" (1565)	18.25 (1.70)	20.41 (1.90)
AESHID3668	1	21 7/8" (556)	60 1/8" (1527)	43 11/16" (1110)	82" (2083)	44 3/16" (1122)	82 1/2" (2096)	16.64 (1.55)	38 13/16" (986)	40 7/8" (1038)	58 5/8" (1489)	21.21 (1.97)	23.46 (2.18)
AESHID3080	1	18 7/8" (479)	76 1/8" (1934)	37 11/16" (957)	95" (2413)	38 3/16" (970)	95 1/2" (2426)	18.07 (1.68)	32 13/16" (833)	34 7/8" (886)	74 5/8" (1895)	21.40 (1.99)	23.81 (2.21)
AESHID3680	1	21 7/8" (556)	73 1/8" (1857)	43 11/16" (1110)	95" (2413)	44 3/16" (1122)	95 1/2" (2426)	20.33 (1.89)	38 13/16" (986)	40 7/8" (1038)	71 5/8" (1819)	24.90 (2.31)	27.40 (2.55)
AESHID4080	2	25 3/8" (645)	69 5/8" (1768)	50 3/4" (1289)	95" (2413)	51 1/4" (1302)	95 1/2" (2426)	22.68 (2.11)	43 13/16" (1113)	47 15/16" (1218)	68 1/8" (1730)	28.95 (2.69)	31.56 (2.93)
AESHID4080	1	25 3/8" (645)	69 5/8" (1768)	50 3/4" (1289)	95" (2413)	51 1/4" (1302)	95 1/2" (2426)	10.85 (1.01)	20 7/8" (530)	22 15/16" (583)	68 1/8" (1730)	13.79 (1.28)	31.56 (2.93)
AESHID5080	2	31 3/8" (797)	63 3/8" (1616)	62 3/4" (1594)	95" (2413)	63 1/4" (1607)	95 1/2" (2426)	25.86 (2.40)	55 13/16" (1418)	59 15/16" (1522)	62 1/8" (1578)	35.66 (3.31)	38.46 (3.57)
AESHID5080	1	31 3/8" (797)	63 3/8" (1616)	62 3/4" (1594)	95" (2413)	63 1/4" (1607)	95 1/2" (2426)	12.48 (1.16)	26 7/8" (683)	28 15/16" (735)	62 1/8" (1578)	17.14 (1.59)	38.46 (3.57)
AESHID5480	2	33 3/8" (848)	61 5/8" (1565)	66 3/4" (1695)	95" (2413)	67 1/4" (1708)	95 1/2" (2426)	26.70 (2.48)	59 13/16" (1519)	63 15/16" (1624)	60 1/8" (1527)	37.85 (3.52)	40.72 (3.78)
AESHID5480	1	33 3/8" (848)	61 5/8" (1565)	66 3/4" (1695)	95" (2413)	67 1/4" (1708)	95 1/2" (2426)	12.92 (1.20)	28 7/8" (733)	30 15/16" (786)	60 1/8" (1527)	18.24 (1.69)	40.72 (3.78)
AESHID6080	2	37 3/8" (949)	57 5/8" (1464)	74 3/4" (1899)	95" (2413)	75 1/4" (1911)	95 1/2" (2426)	28.04 (2.60)	67 13/16" (1722)	71 15/16" (1827)	56 1/8" (1426)	42.15 (3.92)	45.15 (4.19)
AESHID6080	1	37 3/8" (949)	57 5/8" (1464)	74 3/4" (1899)	95" (2413)	75 1/4" (1911)	95 1/2" (2426)	13.62 (1.27)	32 7/8" (835)	34 15/16" (887)	56 1/8" (1426)	20.39 (1.89)	45.15 (4.19)
AESHID7080	2	43 3/8" (1102)	51 5/8" (1311)	86 3/4" (2203)	95" (2413)	87 1/4" (2216)	95 1/2" (2426)	29.22 (2.71)	79 13/16" (2027)	83 15/16" (2132)	50 1/8" (1273)	48.43 (4.50)	51.62 (4.80)
AESHID7080	1	43 3/8" (1102)	51 5/8" (1311)	86 3/4" (2203)	95" (2413)	87 1/4" (2216)	95 1/2" (2426)	14.25 (1.32)	38 7/8" (987)	40 15/16" (1040)	50 1/8" (1273)	23.53 (2.19)	51.62 (4.80)

- * "Door Dimension" always refers to outside frame to frame dimension.
- * "Minimum Rough Opening" dimensions may need to be increased to allow for use of building wraps, flashing, sill panning, brackets, fasteners or other items. See pages 236-237 for more details.
- * Dimensions in parentheses are in millimeters or square meters.
- * For two-panel patio doors with one panel open, clear opening is based on active panel being open and passive panel being closed.



1 AESODxx68 2 AESODxx80 1 AESODxx80AP/PA



Custom-size doors are available in 1/8" (3) increments.

Available in custom designed panels, see page 186. Stationary doors are also available (i.e. AESOD3080S or AESOD4080SS).

Springline™ Outswing Entry Door Dimensions and Specifications

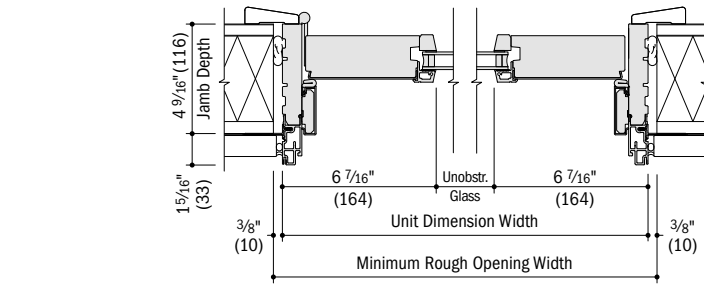
Door Number	Number of Panels Open*	Door Dimensions			Min. Rough Opening		Clear Opening Area Sq. Ft./ (m ²)	Clear Opening Maximums			Vent Area Sq. Ft./ (m ²)	Overall Door Area Sq. Ft./ (m ²)	
		Radius Inches/(mm)	Shoulder Height Inches/(mm)	Width Inches/(mm)	Height Inches/(mm)	Width Inches/(mm)		Height Inches/(mm)	90° Width Inches/(mm)	Full Width Inches/(mm)			Height Inches/(mm)
AESOD3068	1	18 7/8" (479)	63 1/8" (1603)	37 11/16" (957)	82" (2083)	38 3/16" (970)	82 1/2" (2096)	15.01 (1.39)	33 1/8" (841)	35 1/16" (891)	61 5/8" (1565)	18.34 (1.70)	20.41 (1.90)
AESOD3668	1	21 7/8" (556)	60 1/8" (1527)	43 11/16" (1110)	82" (2083)	44 3/16" (1122)	82 1/2" (2096)	16.72 (1.55)	39 1/8" (994)	41 1/16" (1043)	58 5/8" (1489)	21.29 (1.98)	23.46 (2.18)
AESOD3080	1	18 7/8" (479)	76 1/8" (1934)	37 11/16" (957)	95" (2413)	38 3/16" (970)	95 1/2" (2426)	18.17 (1.69)	33 1/8" (841)	35 1/16" (891)	74 5/8" (1895)	21.50 (2.00)	23.81 (2.21)
AESOD3680	1	21 7/8" (556)	73 1/8" (1857)	43 11/16" (1110)	95" (2413)	44 3/16" (1122)	95 1/2" (2426)	20.42 (1.90)	39 1/8" (994)	41 1/16" (1043)	71 5/8" (1819)	25.00 (2.32)	27.40 (2.55)
AESOD4080	2	25 3/8" (645)	69 5/8" (1768)	50 3/4" (1289)	95" (2413)	51 1/4" (1302)	95 1/2" (2426)	22.77 (2.12)	44 3/16" (1122)	48 1/8" (1222)	68 1/8" (1730)	29.04 (2.70)	31.56 (2.93)
AESOD4080	1	25 3/8" (645)	69 5/8" (1768)	50 3/4" (1289)	95" (2413)	51 1/4" (1302)	95 1/2" (2426)	10.88 (1.01)	21" (533)	23" (584)	68 1/8" (1730)	13.79 (1.28)	31.56 (2.93)
AESOD5080	2	31 3/8" (797)	63 3/8" (1616)	62 3/4" (1594)	95" (2413)	63 1/4" (1607)	95 1/2" (2426)	25.94 (2.41)	56 3/16" (1427)	60 1/8" (1527)	62 1/8" (1578)	35.74 (3.32)	38.46 (3.57)
AESOD5080	1	31 3/8" (797)	63 3/8" (1616)	62 3/4" (1594)	95" (2413)	63 1/4" (1607)	95 1/2" (2426)	12.51 (1.16)	27" (686)	29" (737)	62 1/8" (1578)	17.14 (1.59)	38.46 (3.57)
AESOD5480	2	33 3/8" (848)	61 5/8" (1565)	66 3/4" (1695)	95" (2413)	67 1/4" (1708)	95 1/2" (2426)	26.77 (2.49)	60 3/16" (1529)	64 1/8" (1629)	60 1/8" (1527)	37.92 (3.52)	40.72 (3.78)
AESOD5480	1	33 3/8" (848)	61 5/8" (1565)	66 3/4" (1695)	95" (2413)	67 1/4" (1708)	95 1/2" (2426)	12.94 (1.20)	29" (737)	31" (787)	60 1/8" (1527)	18.24 (1.69)	40.72 (3.78)
AESOD6080	2	37 3/8" (949)	57 5/8" (1464)	74 3/4" (1899)	95" (2413)	75 1/4" (1911)	95 1/2" (2426)	28.11 (2.61)	68 3/16" (1732)	72 1/8" (1832)	56 1/8" (1426)	42.23 (3.92)	45.15 (4.19)
AESOD6080	1	37 3/8" (949)	57 5/8" (1464)	74 3/4" (1899)	95" (2413)	75 1/4" (1911)	95 1/2" (2426)	13.64 (1.27)	33" (838)	35" (889)	56 1/8" (1426)	20.39 (1.89)	45.15 (4.19)
AESOD7080	2	43 3/8" (1102)	51 5/8" (1311)	86 3/4" (2203)	95" (2413)	87 1/4" (2216)	95 1/2" (2426)	29.28 (2.72)	80 3/16" (2037)	84 1/8" (2137)	50 1/8" (1273)	48.50 (4.51)	51.62 (4.80)
AESOD7080	1	43 3/8" (1102)	51 5/8" (1311)	86 3/4" (2203)	95" (2413)	87 1/4" (2216)	95 1/2" (2426)	14.27 (1.33)	39" (991)	41" (1041)	50 1/8" (1273)	23.53 (2.19)	51.62 (4.80)

- * "Door Dimension" always refers to outside frame to frame dimension.
- * "Minimum Rough Opening" dimensions may need to be increased to allow for use of building wraps, flashing, sill panning, brackets, fasteners or other items. See pages 236-237 for more details.
- * Dimensions in parentheses are in millimeters or square meters.
- * For two-panel patio doors with one panel open, clear opening is based on active panel being open and passive panel being closed.

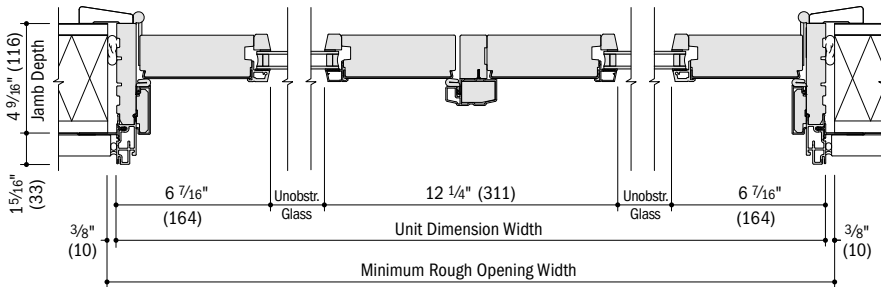
RESIDENTIAL ENTRY DOORS

Springline™ Inswing Entry Door Details – 4 9/16" (116) Jamb Depth

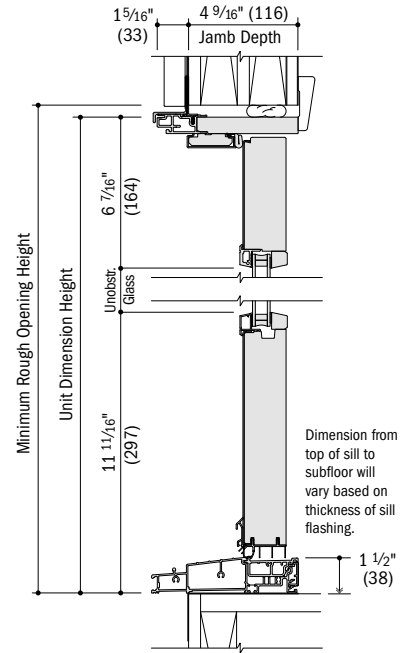
Scale 1 1/2" (38) = 1'-0" (305) – 1:8



Horizontal Section



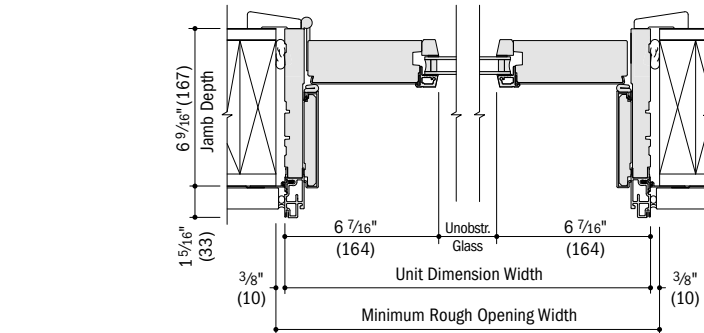
Horizontal Section
Two-Panel



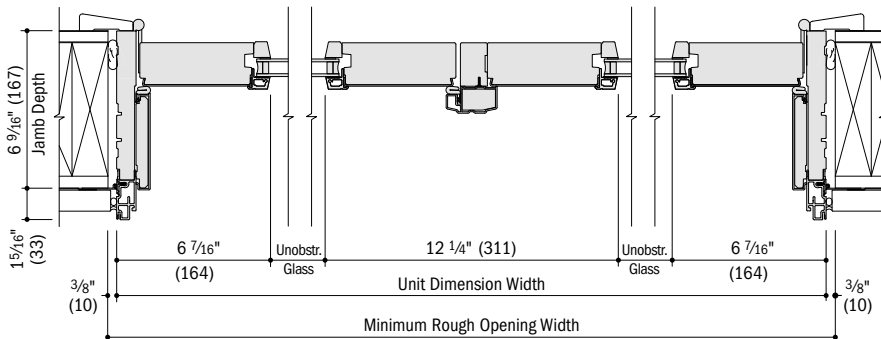
Vertical Section

Springline™ Inswing Entry Door Details – 6 9/16" (167) Jamb Depth

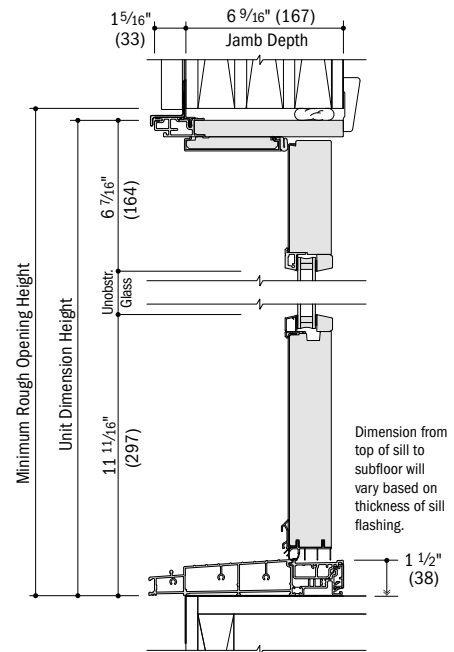
Scale 1 1/2" (38) = 1'-0" (305) – 1:8



Horizontal Section



Horizontal Section
Two-Panel

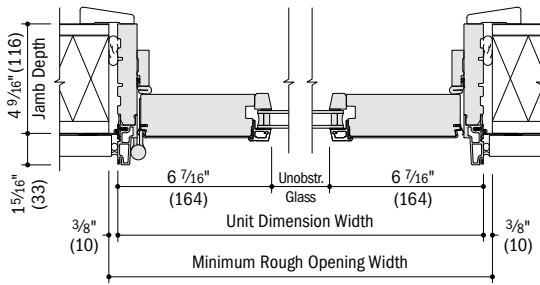


Vertical Section

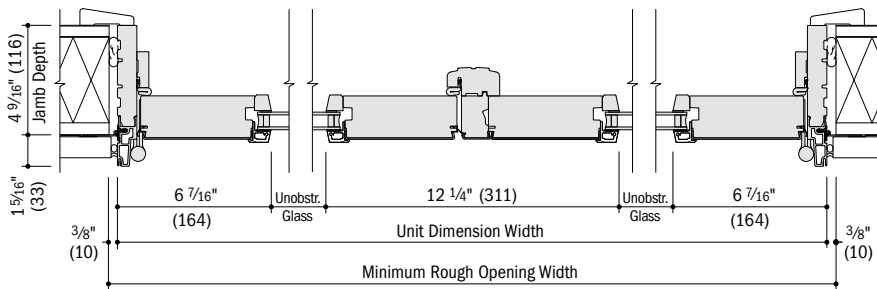
- 4 9/16" (116) and 6 9/16" (167) jamb depth measurements are from back side of installation flange.
- Light-colored areas are parts included with door. Dark-colored areas are additional Andersen® parts required to complete door assembly as shown.
- **Rough openings may need to be increased to allow for use of building wraps, flashing, sill panning, brackets, fasteners or other items. See installation information on pages 236-237.**
- Details are for illustration only and are not intended to represent product installation methods or materials. Refer to product installation guides at andersenwindows.com.
- Dimensions in parentheses are in millimeters.
- Clad details shown, wood also available.

Springline™ Outswing Entry Door Details – 4 9/16" (116) Jamb Depth

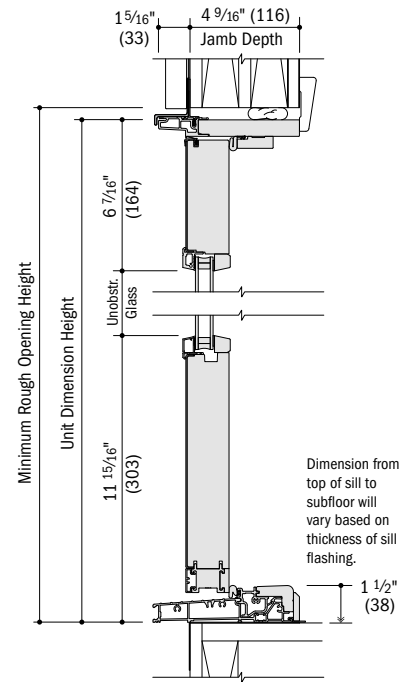
Scale 1 1/2" (38) = 1'-0" (305) – 1:8



Horizontal Section



**Horizontal Section
Two-Panel**



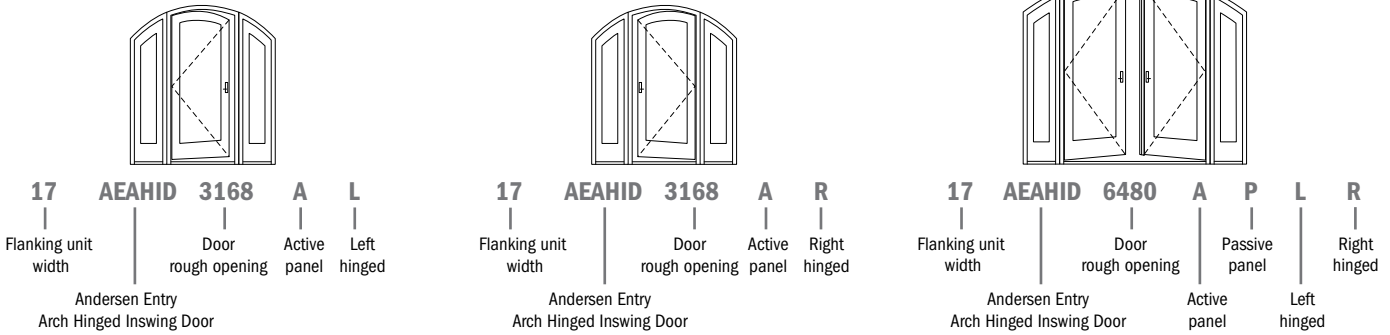
Vertical Section

- 4 9/16" (116) jamb depth measurement is from back side of installation flange.
- Light-colored areas are parts included with door. Dark-colored areas are additional Andersen™ parts required to complete door assembly as shown.
- **Rough openings may need to be increased to allow for use of building wraps, flashing, sill panning, brackets, fasteners or other items. See installation information on pages 236-237.**
- Details are for illustration only and are not intended to represent product installation methods or materials. Refer to product installation guides at andersenwindows.com.
- Dimensions in parentheses are in millimeters.
- Clad details shown, wood also available.

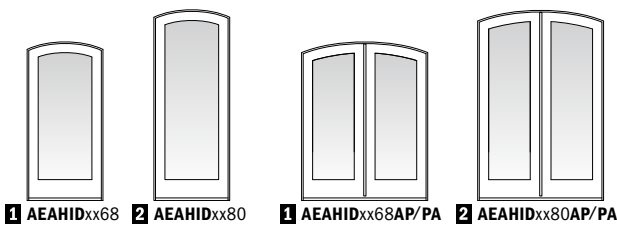
RESIDENTIAL ENTRY DOORS

Order Designation Description

Viewed from the exterior.



Arch inswing entry doors (AEAHID) shown above, for outswing arch entry doors use AEAO. Outswing entry doors open outward to the exterior.



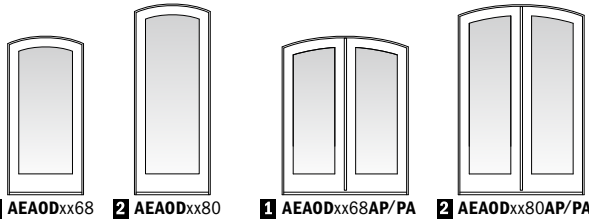
Custom-size doors are available in 1/8" (3) increments.

Available in custom designed panels, see page 186. Stationary doors are also available (i.e. AEAHID2068S or AEAHID4068SS).

Arch Inswing Entry Door Dimensions and Specifications

Door Number	Number of Panels Open*	Door Dimensions				Min. Rough Opening		Clear Opening Area Sq. Ft./ (m ²)	Clear Opening Maximums			Vent Area Sq. Ft./ (m ²)	Overall Door Area Sq. Ft./ (m ²)
		Radius Inches/(mm)	Shoulder Height Inches/(mm)	Width Inches/(mm)	Height Inches/(mm)	Width Inches/(mm)	Height Inches/(mm)		90° Width Inches/(mm)	Full Width Inches/(mm)	Height Inches/(mm)		
AEAHID2068	1	37 1/16" (941)	79 11/16" (2024)	25 11/16" (652)	82" (2083)	26 3/16" (665)	82 1/2" (2096)	12.26 (1.14)	20 13/16" (529)	22 7/8" (581)	77 3/16" (1961)	12.46 (1.16)	14.49 (1.35)
AEAHID2668	1	48" (1219)	79 5/16" (2015)	31 11/16" (805)	82" (2083)	32 3/16" (818)	82 1/2" (2096)	15.39 (1.43)	26 13/16" (681)	28 7/8" (733)	76 3/4" (1949)	15.70 (1.46)	17.85 (1.66)
AEAHID2868	1	48" (1219)	78 15/16" (2005)	33 11/16" (856)	82" (2083)	34 3/16" (868)	82 1/2" (2096)	16.39 (1.52)	28 13/16" (732)	30 7/8" (784)	76 7/16" (1942)	16.77 (1.56)	18.95 (1.76)
AEAHID3068	1	48" (1219)	78 1/8" (1984)	37 11/16" (957)	82" (2083)	38 3/16" (970)	82 1/2" (2096)	18.33 (1.70)	32 13/16" (833)	34 7/8" (886)	75 11/16" (1922)	18.88 (1.75)	21.13 (1.96)
AEAHID3668	1	48" (1219)	76 3/4" (1949)	43 11/16" (1110)	82" (2083)	44 3/16" (1122)	82 1/2" (2096)	21.11 (1.96)	38 13/16" (986)	40 7/8" (1038)	74 3/4" (1889)	22.01 (2.04)	24.36 (2.26)
AEAHID2080	1	37 1/16" (941)	92 11/16" (2354)	25 11/16" (652)	95" (2413)	26 3/16" (665)	95 1/2" (2426)	14.33 (1.33)	20 13/16" (529)	22 7/8" (581)	90 3/16" (2291)	14.53 (1.35)	16.81 (1.56)
AEAHID2680	1	48" (1219)	92 5/16" (2345)	31 11/16" (805)	95" (2413)	32 3/16" (818)	95 1/2" (2426)	18.00 (1.67)	26 13/16" (681)	28 7/8" (733)	89 3/4" (2280)	18.31 (1.70)	20.71 (1.92)
AEAHID2880	1	48" (1219)	91 15/16" (2335)	33 11/16" (856)	95" (2413)	34 3/16" (868)	95 1/2" (2426)	19.18 (1.78)	28 13/16" (732)	30 7/8" (784)	89 1/16" (2272)	19.55 (1.82)	21.99 (2.04)
AEAHID3080	1	48" (1219)	91 1/8" (2315)	37 11/16" (957)	95" (2413)	38 3/16" (970)	95 1/2" (2426)	21.48 (2.00)	32 13/16" (833)	34 7/8" (886)	88 11/16" (2253)	22.03 (2.05)	24.53 (2.28)
AEAHID3680	1	48" (1219)	89 3/4" (2280)	43 11/16" (1110)	95" (2413)	44 3/16" (1122)	95 1/2" (2426)	24.80 (2.30)	38 13/16" (986)	40 7/8" (1038)	87 3/8" (2219)	25.70 (2.39)	28.30 (2.63)
AEAHID4068	2	48" (1219)	74 3/4" (1899)	50 3/4" (1289)	82" (2083)	51 1/4" (1302)	82 1/2" (2096)	24.11 (2.24)	43 13/16" (1113)	47 15/16" (1218)	72 7/16" (1840)	25.61 (2.38)	28.07 (2.61)
AEAHID4068	1	48" (1219)	74 3/4" (1899)	50 3/4" (1289)	82" (2083)	51 1/4" (1302)	82 1/2" (2096)	11.54 (1.07)	20 7/8" (530)	22 15/16" (583)	72 7/16" (1840)	12.22 (1.14)	28.07 (2.61)
AEAHID5068	2	96" (2438)	76 3/4" (1949)	62 3/4" (1594)	82" (2083)	63 1/4" (1607)	82 1/2" (2096)	30.88 (2.87)	55 13/16" (1418)	59 15/16" (1522)	74 3/4" (1884)	32.24 (3.00)	34.97 (3.25)
AEAHID5068	1	96" (2438)	76 3/4" (1949)	62 3/4" (1594)	82" (2083)	63 1/4" (1607)	82 1/2" (2096)	14.91 (1.39)	26 7/8" (683)	28 15/16" (735)	74 3/16" (1884)	15.54 (1.44)	34.97 (3.25)
AEAHID5468	2	96" (2438)	76" (1930)	66 3/4" (1695)	82" (2083)	67 1/4" (1708)	82 1/2" (2096)	32.63 (3.03)	59 13/16" (1519)	63 15/16" (1624)	73 1/2" (1867)	34.29 (3.19)	37.09 (3.45)
AEAHID5468	1	96" (2438)	76" (1930)	66 3/4" (1695)	82" (2083)	67 1/4" (1708)	82 1/2" (2096)	15.79 (1.47)	28 7/8" (733)	30 15/16" (786)	73 1/2" (1867)	16.56 (1.54)	37.09 (3.45)
AEAHID6068	2	96" (2438)	74 7/16" (1891)	74 3/4" (1899)	82" (2083)	75 1/4" (1911)	82 1/2" (2096)	35.94 (3.34)	67 13/16" (1722)	71 15/16" (1827)	71 15/16" (1827)	38.33 (3.56)	41.27 (3.83)
AEAHID6068	1	96" (2438)	74 7/16" (1891)	74 3/4" (1899)	82" (2083)	75 1/4" (1911)	82 1/2" (2096)	17.45 (1.62)	32 7/8" (835)	34 15/16" (887)	71 15/16" (1827)	18.58 (1.73)	41.27 (3.83)
AEAHID7068	2	96" (2438)	71 5/8" (1819)	86 3/4" (2203)	82" (2083)	87 1/4" (2216)	82 1/2" (2096)	40.37 (3.75)	79 13/16" (2027)	83 15/16" (2132)	69 1/4" (1759)	44.22 (4.11)	47.36 (4.40)
AEAHID7068	1	96" (2438)	71 5/8" (1819)	86 3/4" (2203)	82" (2083)	87 1/4" (2216)	82 1/2" (2096)	19.69 (1.83)	38 7/8" (987)	40 15/16" (1040)	69 1/4" (1759)	21.53 (2.00)	47.36 (4.40)
AEAHID4080	2	48" (1219)	87 3/4" (2229)	50 3/4" (1289)	95" (2413)	51 1/4" (1302)	95 1/2" (2426)	28.44 (2.64)	43 13/16" (1113)	47 15/16" (1218)	85 7/8" (2170)	29.94 (2.78)	32.65 (3.03)
AEAHID4080	1	48" (1219)	87 3/4" (2229)	50 3/4" (1289)	95" (2413)	51 1/4" (1302)	95 1/2" (2426)	13.61 (1.26)	20 7/8" (530)	22 15/16" (583)	85 7/8" (2170)	14.29 (1.33)	32.65 (3.03)
AEAHID5080	2	96" (2438)	89 3/4" (2280)	62 3/4" (1594)	95" (2413)	63 1/4" (1607)	95 1/2" (2426)	36.29 (3.37)	55 13/16" (1418)	59 15/16" (1522)	87 3/16" (2215)	37.65 (3.50)	40.64 (3.78)
AEAHID5080	1	96" (2438)	89 3/4" (2280)	62 3/4" (1594)	95" (2413)	63 1/4" (1607)	95 1/2" (2426)	17.52 (1.63)	26 7/8" (683)	28 15/16" (735)	87 3/16" (2215)	18.15 (1.69)	40.64 (3.78)
AEAHID5480	2	96" (2438)	89" (2261)	66 3/4" (1695)	95" (2413)	67 1/4" (1708)	95 1/2" (2426)	38.41 (3.57)	59 13/16" (1519)	63 15/16" (1624)	86 1/2" (2197)	40.07 (3.72)	43.12 (4.01)
AEAHID5480	1	96" (2438)	89" (2261)	66 3/4" (1695)	95" (2413)	67 1/4" (1708)	95 1/2" (2426)	18.58 (1.73)	28 7/8" (733)	30 15/16" (786)	86 1/2" (2197)	19.35 (1.80)	43.12 (4.01)
AEAHID6080	2	96" (2438)	87 7/16" (2221)	74 3/4" (1899)	95" (2413)	75 1/4" (1911)	95 1/2" (2426)	42.43 (3.94)	67 13/16" (1722)	71 15/16" (1827)	84 15/16" (2157)	44.83 (4.16)	48.02 (4.46)
AEAHID6080	1	96" (2438)	87 7/16" (2221)	74 3/4" (1899)	95" (2413)	75 1/4" (1911)	95 1/2" (2426)	20.61 (1.91)	32 7/8" (835)	34 15/16" (887)	84 15/16" (2157)	21.74 (2.02)	48.02 (4.46)
AEAHID7080	2	96" (2438)	84 5/8" (2149)	86 3/4" (2203)	95" (2413)	87 1/4" (2216)	95 1/2" (2426)	47.94 (4.45)	79 13/16" (2027)	83 15/16" (2132)	82 1/4" (2089)	51.80 (4.81)	55.20 (5.13)
AEAHID7080	1	96" (2438)	84 5/8" (2149)	86 3/4" (2203)	95" (2413)	87 1/4" (2216)	95 1/2" (2426)	23.38 (2.17)	38 7/8" (987)	40 15/16" (1040)	82 1/4" (2089)	25.22 (2.34)	55.20 (5.13)

* "Door Dimension" always refers to outside frame to frame dimension.
 • "Minimum Rough Opening" dimensions may need to be increased to allow for use of building wraps, flashing, sill panning, brackets, fasteners or other items. See pages 236-237 for more details.
 • Dimensions in parentheses are in millimeters or square meters.
 *For two-panel patio doors with one panel open, clear opening is based on active panel being open and passive panel being closed.



Custom-size doors are available in 1/8" (3) increments.

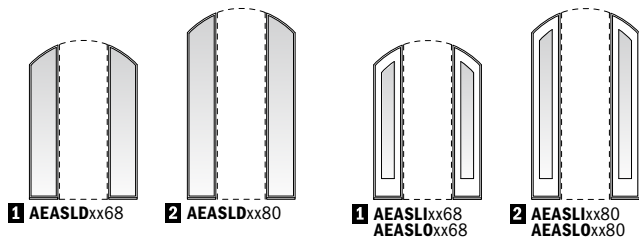
Available in custom designed panels, see page 186. Stationary doors are also available (i.e. **AEAOD2068S** or **AEAOD4068SS**).

Arch Outswing Entry Door Dimensions and Specifications

Door Number	Number of Panels Open*	Door Dimensions				Min. Rough Opening		Clear Opening Area Sq. Ft./ (m ²)	Clear Opening Maximums			Vent Area Sq. Ft./ (m ²)	Overall Door Area Sq. Ft./ (m ²)
		Radius Inches/(mm)	Shoulder Height Inches/(mm)	Width Inches/(mm)	Height Inches/(mm)	Width Inches/(mm)	Height Inches/(mm)		90° Width Inches/(mm)	Full Width Inches/(mm)	Height Inches/(mm)		
AEAOD2068	1	37 1/16" (941)	79 1/16" (2024)	25 1/16" (652)	82" (2083)	26 3/16" (665)	82 1/2" (2096)	12.37 (1.15)	21 1/8" (537)	23 1/16" (586)	77 1/4" (1962)	12.58 (1.17)	14.49 (1.35)
AEAOD2668	1	48" (1219)	79 3/16" (2015)	31 1/16" (805)	82" (2083)	32 3/16" (818)	82 1/2" (2096)	15.50 (1.44)	27 1/8" (689)	29 1/16" (738)	76 13/16" (1951)	15.82 (1.47)	17.85 (1.66)
AEAOD2868	1	48" (1219)	78 1/16" (2005)	33 1/16" (856)	82" (2083)	34 3/16" (868)	82 1/2" (2096)	16.50 (1.53)	29 1/8" (740)	31 1/16" (789)	76 1/2" (1943)	16.89 (1.57)	18.95 (1.76)
AEAOD3068	1	48" (1219)	78 1/8" (1984)	37 1/16" (957)	82" (2083)	38 3/16" (970)	82 1/2" (2096)	18.44 (1.71)	33 1/8" (841)	35 1/16" (891)	75 3/4" (1924)	19.00 (1.77)	21.13 (1.96)
AEAOD3668	1	48" (1219)	76 3/4" (1949)	43 1/16" (1110)	82" (2083)	44 3/16" (1122)	82 1/2" (2096)	21.21 (1.97)	39 1/8" (994)	41 1/16" (1043)	74 3/8" (1889)	22.13 (2.06)	24.36 (2.26)
AEAOD2080	1	37 1/16" (941)	92 1/16" (2354)	25 1/16" (652)	95" (2413)	26 3/16" (665)	95 1/2" (2426)	12.37 (1.15)	21 1/8" (537)	23 1/16" (586)	77 1/4" (1962)	14.66 (1.36)	16.81 (1.56)
AEAOD2680	1	48" (1219)	92 3/16" (2345)	31 1/16" (805)	95" (2413)	32 3/16" (818)	95 1/2" (2426)	15.50 (1.44)	27 1/8" (689)	29 1/16" (738)	76 13/16" (1951)	18.45 (1.71)	20.71 (1.92)
AEAOD2880	1	48" (1219)	91 1/16" (2335)	33 1/16" (856)	95" (2413)	34 3/16" (868)	95 1/2" (2426)	16.50 (1.53)	29 1/8" (740)	31 1/16" (789)	76 1/2" (1943)	19.69 (1.83)	21.99 (2.04)
AEAOD3080	1	48" (1219)	91 1/8" (2315)	37 1/16" (957)	95" (2413)	38 3/16" (970)	95 1/2" (2426)	18.44 (1.71)	33 1/8" (841)	35 1/16" (891)	75 3/4" (1924)	22.17 (2.06)	24.53 (2.28)
AEAOD3680	1	48" (1219)	89 3/4" (2280)	43 1/16" (1110)	95" (2413)	44 3/16" (1122)	95 1/2" (2426)	21.21 (1.97)	39 1/8" (994)	41 1/16" (1043)	74 3/8" (1889)	25.84 (2.40)	28.30 (2.63)
AEAOD4068	2	48" (1219)	74 3/4" (1899)	50 3/4" (1289)	82" (2083)	51 1/4" (1302)	82 1/2" (2096)	24.23 (2.25)	44 3/16" (1122)	48 1/8" (1222)	72 1/2" (1842)	25.73 (2.39)	28.07 (2.61)
AEAOD4068	1	48" (1219)	74 3/4" (1899)	50 3/4" (1289)	82" (2083)	51 1/4" (1302)	82 1/2" (2096)	11.58 (1.08)	21" (533)	23" (584)	72 1/2" (1842)	12.28 (1.14)	28.07 (2.61)
AEAOD5068	2	96" (2438)	76 3/4" (1949)	62 3/4" (1594)	82" (2083)	63 1/4" (1607)	82 1/2" (2096)	31.00 (2.88)	56 3/16" (1427)	60 1/8" (1527)	74 1/4" (1886)	32.38 (3.01)	34.97 (3.25)
AEAOD5068	1	96" (2438)	76 3/4" (1949)	62 3/4" (1594)	82" (2083)	63 1/4" (1607)	82 1/2" (2096)	14.95 (1.39)	27" (686)	29" (737)	74 1/4" (1886)	15.60 (1.45)	34.97 (3.25)
AEAOD5468	2	96" (2438)	76" (1930)	66 3/4" (1695)	82" (2083)	67 1/4" (1708)	82 1/2" (2096)	32.76 (3.04)	60 3/16" (1529)	64 1/8" (1629)	73 9/16" (1868)	34.43 (3.20)	37.09 (3.45)
AEAOD5468	1	96" (2438)	76" (1930)	66 3/4" (1695)	82" (2083)	67 1/4" (1708)	82 1/2" (2096)	15.84 (1.47)	29" (737)	31" (787)	73 9/16" (1868)	16.63 (1.54)	37.09 (3.45)
AEAOD6068	2	96" (2438)	74 1/16" (1891)	74 3/4" (1899)	82" (2083)	75 1/4" (1911)	82 1/2" (2096)	36.06 (3.35)	68 3/16" (1732)	72 1/8" (1832)	72" (1829)	38.48 (3.57)	41.27 (3.83)
AEAOD6068	1	96" (2438)	74 1/16" (1891)	74 3/4" (1899)	82" (2083)	75 1/4" (1911)	82 1/2" (2096)	17.50 (1.63)	33" (838)	35" (889)	72" (1829)	18.65 (1.73)	41.27 (3.83)
AEAOD7068	2	96" (2438)	71 5/8" (1819)	86 3/4" (2203)	82" (2083)	87 1/4" (2216)	82 1/2" (2096)	40.49 (3.76)	80 3/16" (2037)	84 1/8" (2137)	69 5/16" (1761)	44.37 (4.12)	47.36 (4.40)
AEAOD7068	1	96" (2438)	71 5/8" (1819)	86 3/4" (2203)	82" (2083)	87 1/4" (2216)	82 1/2" (2096)	19.73 (1.83)	39" (991)	41" (1041)	69 5/16" (1761)	21.60 (2.01)	47.36 (4.40)
AEAOD4080	2	48" (1219)	87 3/4" (2229)	50 3/4" (1289)	95" (2413)	51 1/4" (1302)	95 1/2" (2426)	28.57 (2.65)	44 3/16" (1122)	48 1/8" (1222)	85 1/2" (2172)	30.08 (2.79)	32.65 (3.03)
AEAOD4080	1	48" (1219)	87 3/4" (2229)	50 3/4" (1289)	95" (2413)	51 1/4" (1302)	95 1/2" (2426)	13.66 (1.27)	21" (533)	23" (584)	85 1/2" (2172)	14.36 (1.33)	32.65 (3.03)
AEAOD5080	2	96" (2438)	89 3/4" (2280)	62 3/4" (1594)	95" (2413)	63 1/4" (1607)	95 1/2" (2426)	36.43 (3.38)	56 3/16" (1427)	60 1/8" (1527)	87 1/4" (2216)	37.80 (3.51)	40.64 (3.78)
AEAOD5080	1	96" (2438)	89 3/4" (2280)	62 3/4" (1594)	95" (2413)	63 1/4" (1607)	95 1/2" (2426)	17.57 (1.63)	27" (686)	29" (737)	87 1/4" (2216)	18.22 (1.69)	40.64 (3.78)
AEAOD5480	2	96" (2438)	89" (2261)	66 3/4" (1695)	95" (2413)	67 1/4" (1708)	95 1/2" (2426)	38.55 (3.58)	60 3/16" (1529)	64 1/8" (1629)	86 9/16" (2199)	40.22 (3.74)	43.12 (4.01)
AEAOD5480	1	96" (2438)	89" (2261)	66 3/4" (1695)	95" (2413)	67 1/4" (1708)	95 1/2" (2426)	18.63 (1.73)	29" (737)	31" (787)	86 9/16" (2199)	19.43 (1.81)	43.12 (4.01)
AEAOD6080	2	96" (2438)	87 1/16" (2221)	74 3/4" (1899)	95" (2413)	75 1/4" (1911)	95 1/2" (2426)	42.57 (3.95)	68 3/16" (1732)	72 1/8" (1832)	85" (2159)	44.99 (4.18)	48.02 (4.46)
AEAOD6080	1	96" (2438)	87 1/16" (2221)	74 3/4" (1899)	95" (2413)	75 1/4" (1911)	95 1/2" (2426)	20.66 (1.92)	33" (838)	35" (889)	85" (2159)	21.81 (2.03)	48.02 (4.46)
AEAOD7080	2	96" (2438)	84 5/8" (2149)	86 3/4" (2203)	95" (2413)	87 1/4" (2216)	95 1/2" (2426)	48.09 (4.47)	80 3/16" (2037)	84 1/8" (2137)	82 3/16" (2091)	51.96 (4.83)	55.20 (5.13)
AEAOD7080	1	96" (2438)	84 5/8" (2149)	86 3/4" (2203)	95" (2413)	87 1/4" (2216)	95 1/2" (2426)	23.44 (2.18)	39" (991)	41" (1041)	82 3/16" (2091)	25.30 (2.35)	55.20 (5.13)

- * "Door Dimension" always refers to outside frame to frame dimension.
- * "Minimum Rough Opening" dimensions may need to be increased to allow for use of building wraps, flashing, sill panning, brackets, fasteners or other items. See pages 236-237 for more details.
- * Dimensions in parentheses are in millimeters or square meters.
- * For two-panel patio doors with one panel open, clear opening is based on active panel being open and passive panel being closed.

Direct-Set and Sash-Set Arch Entry Door Sidelights

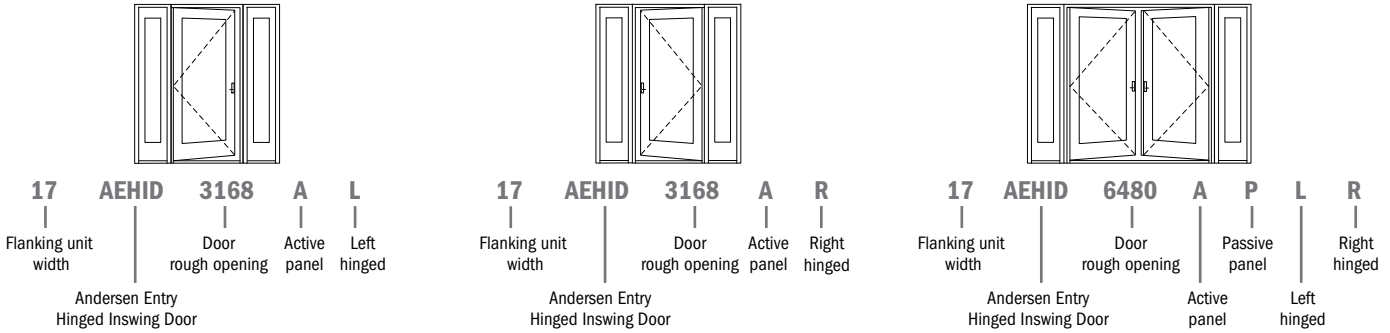


Direct-set (**AEASLD**), sash-set inswing (**AEASLI**) and sash-set outswing (**AEASLO**) entry door sidelights shown. Contact your Andersen supplier for dimensions and specifications.

RESIDENTIAL ENTRY DOORS

Order Designation Description

Viewed from the exterior.



Inswing entry doors (AEHID) shown above, for outswing entry doors use AEOD. Outswing entry doors open outward to the exterior.



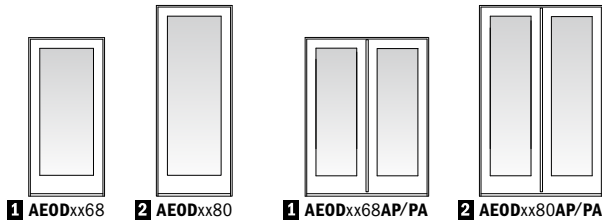
Custom-size doors are available in 1/8" (3) increments.

Available in custom designed panels, see page 186. Stationary doors are also available (i.e. AEHID2068S or AEHID4068SS).

Rectangular Inswing Entry Door Dimensions and Specifications

Door Number	Number of Panels Open*	Min. Rough Opening				Clear Opening Maximums						Vent Sq. Ft./ (m ²)	Overall Door Area Sq. Ft./ (m ²)
		Width Inches/(mm)	Height Inches/(mm)	Width Inches/(mm)	Height Inches/(mm)	Clear Opening Sq. Ft./ (m ²)	90° Width Inches/(mm)	Full Width Inches/(mm)	Height Inches/(mm)				
AEHID2068	1	25 11/16" (652)	82" (2083)	26 3/16" (665)	82 1/2" (2096)	12.56 (1.17)	20 13/16" (529)	22 7/8" (581)	79 1/16" (2008)	12.56 (1.17)	14.63 (1.36)		
AEHID2668	1	31 11/16" (805)	82" (2083)	32 3/16" (818)	82 1/2" (2096)	15.85 (1.47)	26 13/16" (681)	28 7/8" (733)	79 1/16" (2008)	15.85 (1.47)	18.04 (1.68)		
AEHID2868	1	33 11/16" (856)	82" (2083)	34 3/16" (868)	82 1/2" (2096)	16.95 (1.57)	28 13/16" (732)	30 7/8" (784)	79 1/16" (2008)	16.95 (1.57)	19.18 (1.78)		
AEHID3068	1	37 11/16" (957)	82" (2083)	38 3/16" (970)	82 1/2" (2096)	19.15 (1.78)	32 13/16" (833)	34 7/8" (886)	79 1/16" (2008)	19.15 (1.78)	21.46 (1.99)		
AEHID3668	1	43 11/16" (1110)	82" (2083)	44 3/16" (1122)	82 1/2" (2096)	22.44 (2.08)	38 13/16" (986)	40 7/8" (1038)	79 1/16" (2008)	22.44 (2.08)	24.88 (2.31)		
AEHID2080	1	25 11/16" (652)	95" (2413)	26 3/16" (665)	95 1/2" (2426)	14.62 (1.36)	20 13/16" (529)	22 7/8" (581)	92 1/16" (2338)	14.62 (1.36)	16.95 (1.57)		
AEHID2680	1	31 11/16" (805)	95" (2413)	32 3/16" (818)	95 1/2" (2426)	18.46 (1.71)	26 13/16" (681)	28 7/8" (733)	92 1/16" (2338)	18.46 (1.71)	20.90 (1.94)		
AEHID2880	1	33 11/16" (856)	95" (2413)	34 3/16" (868)	95 1/2" (2426)	19.74 (1.83)	28 13/16" (732)	30 7/8" (784)	92 1/16" (2338)	19.74 (1.83)	22.22 (2.06)		
AEHID3080	1	37 11/16" (957)	95" (2413)	38 3/16" (970)	95 1/2" (2426)	22.30 (2.07)	32 13/16" (833)	34 7/8" (886)	92 1/16" (2338)	22.30 (2.07)	24.86 (2.31)		
AEHID3680	1	43 11/16" (1110)	95" (2413)	44 3/16" (1122)	95 1/2" (2426)	26.13 (2.43)	38 13/16" (986)	40 7/8" (1038)	92 1/16" (2338)	26.13 (2.43)	28.82 (2.68)		
AEHID4068	2	50 3/4" (1289)	82" (2083)	51 1/4" (1302)	82 1/2" (2096)	26.32 (2.45)	43 13/16" (1113)	47 15/16" (1218)	79 1/16" (2008)	26.32 (2.45)	28.90 (2.68)		
AEHID4068	1	50 3/4" (1289)	82" (2083)	51 1/4" (1302)	82 1/2" (2096)	12.59 (1.17)	20 7/8" (530)	22 15/16" (583)	79 1/16" (2008)	12.59 (1.17)	28.90 (2.68)		
AEHID5068	2	62 3/4" (1594)	82" (2083)	63 1/4" (1607)	82 1/2" (2096)	32.91 (3.06)	55 13/16" (1418)	59 15/16" (1522)	79 1/16" (2008)	32.91 (3.06)	35.73 (3.32)		
AEHID5068	1	62 3/4" (1594)	82" (2083)	63 1/4" (1607)	82 1/2" (2096)	15.89 (1.48)	26 7/8" (683)	28 15/16" (735)	79 1/16" (2008)	15.89 (1.48)	35.73 (3.32)		
AEHID5468	2	66 3/4" (1695)	82" (2083)	67 1/4" (1708)	82 1/2" (2096)	35.10 (3.26)	59 13/16" (1519)	63 15/16" (1624)	79 1/16" (2008)	35.10 (3.26)	38.01 (3.53)		
AEHID5468	1	66 3/4" (1695)	82" (2083)	67 1/4" (1708)	82 1/2" (2096)	16.99 (1.58)	28 13/16" (733)	30 15/16" (786)	79 1/16" (2008)	16.99 (1.58)	38.01 (3.53)		
AEHID6068	2	74 3/4" (1899)	82" (2083)	75 1/4" (1911)	82 1/2" (2096)	39.50 (3.67)	67 13/16" (1722)	71 15/16" (1827)	79 1/16" (2008)	39.50 (3.67)	42.57 (3.95)		
AEHID6068	1	74 3/4" (1899)	82" (2083)	75 1/4" (1911)	82 1/2" (2096)	19.18 (1.78)	32 7/8" (835)	34 15/16" (887)	79 1/16" (2008)	19.18 (1.78)	42.57 (3.95)		
AEHID7068	2	86 3/4" (2203)	82" (2083)	87 1/4" (2216)	82 1/2" (2096)	46.09 (4.28)	79 13/16" (2027)	83 15/16" (2132)	79 1/16" (2008)	46.09 (4.28)	49.40 (4.59)		
AEHID7068	1	86 3/4" (2203)	82" (2083)	87 1/4" (2216)	82 1/2" (2096)	22.48 (2.09)	38 7/8" (987)	40 15/16" (1040)	79 1/16" (2008)	22.48 (2.09)	49.40 (4.59)		
AEHID4080	2	50 3/4" (1289)	95" (2413)	51 1/4" (1302)	95 1/2" (2426)	30.65 (2.85)	43 13/16" (1113)	47 15/16" (1218)	92 1/16" (2338)	30.65 (2.85)	33.48 (3.11)		
AEHID4080	1	50 3/4" (1289)	95" (2413)	51 1/4" (1302)	95 1/2" (2426)	14.66 (1.36)	20 7/8" (530)	22 15/16" (583)	92 1/16" (2338)	14.66 (1.36)	33.48 (3.11)		
AEHID5080	2	62 3/4" (1594)	95" (2413)	63 1/4" (1607)	95 1/2" (2426)	38.32 (3.56)	55 13/16" (1418)	59 15/16" (1522)	92 1/16" (2338)	38.32 (3.56)	41.40 (3.85)		
AEHID5080	1	62 3/4" (1594)	95" (2413)	63 1/4" (1607)	95 1/2" (2426)	18.50 (1.72)	26 7/8" (683)	28 15/16" (735)	92 1/16" (2338)	18.50 (1.72)	41.40 (3.85)		
AEHID5480	2	66 3/4" (1695)	95" (2413)	67 1/4" (1708)	95 1/2" (2426)	40.88 (3.80)	59 13/16" (1519)	63 15/16" (1624)	92 1/16" (2338)	40.88 (3.80)	44.04 (4.09)		
AEHID5480	1	66 3/4" (1695)	95" (2413)	67 1/4" (1708)	95 1/2" (2426)	19.78 (1.84)	28 7/8" (733)	30 15/16" (786)	92 1/16" (2338)	19.78 (1.84)	44.04 (4.09)		
AEHID6080	2	74 3/4" (1899)	95" (2413)	75 1/4" (1911)	95 1/2" (2426)	45.99 (4.27)	67 13/16" (1722)	71 15/16" (1827)	92 1/16" (2338)	45.99 (4.27)	49.31 (4.58)		
AEHID6080	1	74 3/4" (1899)	95" (2413)	75 1/4" (1911)	95 1/2" (2426)	22.34 (2.08)	32 7/8" (835)	34 15/16" (887)	92 1/16" (2338)	22.34 (2.08)	49.31 (4.58)		
AEHID7080	2	86 3/4" (2203)	95" (2413)	87 1/4" (2216)	95 1/2" (2426)	53.66 (4.99)	79 13/16" (2027)	83 15/16" (2132)	92 1/16" (2338)	53.66 (4.99)	57.23 (5.32)		
AEHID7080	1	86 3/4" (2203)	95" (2413)	87 1/4" (2216)	95 1/2" (2426)	26.17 (2.43)	38 7/8" (987)	40 15/16" (1040)	92 1/16" (2338)	26.17 (2.43)	57.23 (5.32)		

* "Door Dimension" always refers to outside frame to frame dimension.
 * "Minimum Rough Opening" dimensions may need to be increased to allow for use of building wraps, flashing, sill panning, brackets, fasteners or other items. See pages 236-237 for more details.
 • Dimensions in parentheses are in millimeters or square meters.
 *For two-panel patio doors with one panel open, clear opening is based on active panel being open and passive panel being closed.



Custom-size doors are available in 1/8" (3) increments.

Available in custom designed panels, see page 186. Stationary doors are also available (i.e. AEOD2068S or AEOD4068SS).

Rectangular Outswing Entry Door Dimensions and Specifications

Door Number	Number of Panels Open*	Min. Rough Opening				Clear Opening Sq. Ft./(m ²)	Clear Opening Maximums			Vent Sq. Ft./(m ²)	Overall Door Area Sq. Ft./(m ²)
		Width Inches/(mm)	Height Inches/(mm)	Width Inches/(mm)	Height Inches/(mm)		90° Width Inches/(mm)	Full Width Inches/(mm)	Height Inches/(mm)		
AEOD2068	1	25 11/16" (652)	82" (2083)	26 3/16" (665)	82 1/2" (2096)	12.68 (1.18)	21 1/8" (537)	23 1/16" (586)	79 3/16" (2011)	12.58 (1.17)	14.63 (1.36)
AEOD2668	1	31 11/16" (805)	82" (2083)	32 3/16" (818)	82 1/2" (2096)	15.98 (1.48)	27 1/8" (689)	29 1/16" (738)	79 3/16" (2011)	15.82 (1.47)	18.04 (1.68)
AEOD2868	1	33 11/16" (856)	82" (2083)	34 3/16" (868)	82 1/2" (2096)	17.08 (1.59)	29 1/8" (740)	31 1/16" (789)	79 3/16" (2011)	16.89 (1.57)	19.18 (1.78)
AEOD3068	1	37 11/16" (957)	82" (2083)	38 3/16" (970)	82 1/2" (2096)	19.28 (1.79)	33 1/8" (841)	35 1/16" (891)	79 3/16" (2011)	19.00 (1.77)	21.46 (1.99)
AEOD3668	1	43 11/16" (1110)	82" (2083)	44 3/16" (1122)	82 1/2" (2096)	22.58 (2.10)	39 1/8" (994)	41 1/16" (1043)	79 3/16" (2011)	22.13 (2.06)	24.88 (2.31)
AEOD2080	1	25 11/16" (652)	95" (2413)	26 3/16" (665)	95 1/2" (2426)	14.76 (1.37)	21 1/8" (537)	23 1/16" (586)	92 3/16" (2342)	14.66 (1.36)	16.95 (1.57)
AEOD2680	1	31 11/16" (805)	95" (2413)	32 3/16" (818)	95 1/2" (2426)	18.61 (1.73)	27 1/8" (689)	29 1/16" (738)	92 3/16" (2342)	18.45 (1.71)	20.90 (1.94)
AEOD2880	1	33 11/16" (856)	95" (2413)	34 3/16" (868)	95 1/2" (2426)	19.89 (1.85)	29 1/8" (740)	31 1/16" (789)	92 3/16" (2342)	19.69 (1.83)	22.22 (2.06)
AEOD3080	1	37 11/16" (957)	95" (2413)	38 3/16" (970)	95 1/2" (2426)	22.45 (2.09)	33 1/8" (841)	35 1/16" (891)	92 3/16" (2342)	22.17 (2.06)	24.86 (2.31)
AEOD3680	1	43 11/16" (1110)	95" (2413)	44 3/16" (1122)	95 1/2" (2426)	26.29 (2.44)	39 1/8" (994)	41 1/16" (1043)	92 3/16" (2342)	25.84 (2.40)	28.82 (2.68)
AEOD4068	2	50 3/4" (1289)	82" (2083)	51 1/4" (1302)	82 1/2" (2096)	26.46 (2.46)	44 3/16" (1122)	48 1/8" (1222)	79 3/16" (2011)	25.73 (2.39)	28.90 (2.68)
AEOD4068	1	50 3/4" (1289)	82" (2083)	51 1/4" (1302)	82 1/2" (2096)	12.65 (1.18)	21" (533)	23" (584)	79 3/16" (2011)	12.28 (1.14)	28.90 (2.68)
AEOD5068	2	62 3/4" (1594)	82" (2083)	63 1/4" (1607)	82 1/2" (2096)	33.06 (3.07)	56 3/16" (1427)	60 1/8" (1527)	79 3/16" (2011)	32.38 (3.01)	35.73 (3.32)
AEOD5068	1	62 3/4" (1594)	82" (2083)	63 1/4" (1607)	82 1/2" (2096)	15.95 (1.48)	27" (686)	29" (737)	79 3/16" (2011)	15.60 (1.45)	35.73 (3.32)
AEOD5468	2	66 3/4" (1695)	82" (2083)	67 1/4" (1708)	82 1/2" (2096)	35.26 (3.28)	60 3/16" (1529)	64 1/8" (1629)	79 3/16" (2011)	34.43 (3.20)	38.01 (3.53)
AEOD5468	1	66 3/4" (1695)	82" (2083)	67 1/4" (1708)	82 1/2" (2096)	17.05 (1.58)	29" (737)	31" (787)	79 3/16" (2011)	16.63 (1.54)	38.01 (3.53)
AEOD6068	2	74 3/4" (1899)	82" (2083)	75 1/4" (1911)	82 1/2" (2096)	39.66 (3.68)	68 3/16" (1732)	72 1/8" (1832)	79 3/16" (2011)	38.48 (3.57)	42.57 (3.95)
AEOD6068	1	74 3/4" (1899)	82" (2083)	75 1/4" (1911)	82 1/2" (2096)	19.25 (1.79)	33" (838)	35" (889)	79 3/16" (2011)	18.65 (1.73)	42.57 (3.95)
AEOD7068	2	86 3/4" (2203)	82" (2083)	87 1/4" (2216)	82 1/2" (2096)	46.26 (4.30)	80 3/16" (2037)	84 1/8" (2137)	79 3/16" (2011)	44.37 (4.12)	49.40 (4.59)
AEOD7068	1	86 3/4" (2203)	82" (2083)	87 1/4" (2216)	82 1/2" (2096)	22.55 (2.09)	39" (991)	41" (1041)	79 3/16" (2011)	21.60 (2.01)	49.40 (4.59)
AEOD4080	2	50 3/4" (1289)	95" (2413)	51 1/4" (1302)	95 1/2" (2426)	30.81 (2.86)	44 3/16" (1122)	48 1/8" (1222)	92 3/16" (2342)	30.08 (2.79)	33.48 (3.11)
AEOD4080	1	50 3/4" (1289)	95" (2413)	51 1/4" (1302)	95 1/2" (2426)	14.72 (1.37)	21" (533)	23" (584)	92 3/16" (2342)	14.36 (1.33)	33.48 (3.11)
AEOD5080	2	62 3/4" (1594)	95" (2413)	63 1/4" (1607)	95 1/2" (2426)	38.49 (3.58)	56 3/16" (1427)	60 1/8" (1527)	92 3/16" (2342)	37.80 (3.51)	41.40 (3.85)
AEOD5080	1	62 3/4" (1594)	95" (2413)	63 1/4" (1607)	95 1/2" (2426)	18.57 (1.73)	27" (686)	29" (737)	92 3/16" (2342)	18.22 (1.69)	41.40 (3.85)
AEOD5480	2	66 3/4" (1695)	95" (2413)	67 1/4" (1708)	95 1/2" (2426)	41.05 (3.81)	60 3/16" (1529)	64 1/8" (1629)	92 3/16" (2342)	40.22 (3.74)	44.04 (4.09)
AEOD5480	1	66 3/4" (1695)	95" (2413)	67 1/4" (1708)	95 1/2" (2426)	19.85 (1.84)	29" (737)	31" (787)	92 3/16" (2342)	19.43 (1.81)	44.04 (4.09)
AEOD6080	2	74 3/4" (1899)	95" (2413)	75 1/4" (1911)	95 1/2" (2426)	46.17 (4.29)	68 3/16" (1732)	72 1/8" (1832)	92 3/16" (2342)	44.99 (4.18)	49.31 (4.58)
AEOD6080	1	74 3/4" (1899)	95" (2413)	75 1/4" (1911)	95 1/2" (2426)	22.41 (2.08)	33" (838)	35" (889)	92 3/16" (2342)	21.81 (2.03)	49.31 (4.58)
AEOD7080	2	86 3/4" (2203)	95" (2413)	87 1/4" (2216)	95 1/2" (2426)	53.86 (5.00)	80 3/16" (2037)	84 1/8" (2137)	92 3/16" (2342)	51.96 (4.83)	57.23 (5.32)
AEOD7080	1	86 3/4" (2203)	95" (2413)	87 1/4" (2216)	95 1/2" (2426)	26.25 (2.44)	39" (991)	41" (1041)	92 3/16" (2342)	25.30 (2.35)	57.23 (5.32)

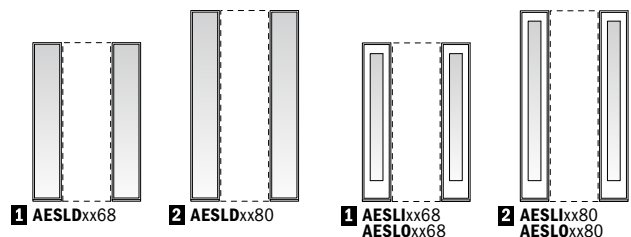
- * "Door Dimension" always refers to outside frame to frame dimension.
- * "Minimum Rough Opening" dimensions may need to be increased to allow for use of building wraps, flashing, sill panning, brackets, fasteners or other items. See pages 236-237 for more details.
- * Dimensions in parentheses are in millimeters or square meters.
- * For two-panel patio doors with one panel open, clear opening is based on active panel being open and passive panel being closed.

Direct-Set Rectangular Entry Door Sidelight Dimensions and Specifications

Sidelight Number	Sidelight Dimensions		Min. Rough Opening		Glass Area Sq. Ft./(m ²)	Overall Sidelight Area Sq. Ft./(m ²)
	Width Inches/(mm)	Height Inches/(mm)	Width Inches/(mm)	Height Inches/(mm)		
AESLD0868	9 15/16" (252)	82" (2083)	10 7/16" (265)	82 1/2" (2096)	3.77 (0.35)	5.66 (0.53)
AESLD1068	15 15/16" (405)	82" (2083)	16 7/16" (418)	82 1/2" (2096)	7.03 (0.65)	9.08 (0.84)
AESLD2068	25 11/16" (652)	82" (2083)	26 3/16" (665)	82 1/2" (2096)	12.32 (1.14)	14.63 (1.36)
AESLD3068	37 11/16" (957)	82" (2083)	38 3/16" (970)	82 1/2" (2096)	18.84 (1.75)	21.46 (1.99)
AESLD0880	9 15/16" (252)	95" (2413)	10 7/16" (265)	95 1/2" (2426)	4.40 (0.41)	6.56 (0.61)
AESLD1080	15 15/16" (405)	95" (2413)	16 7/16" (418)	95 1/2" (2426)	8.19 (0.76)	10.51 (0.98)
AESLD2080	25 11/16" (652)	95" (2413)	26 3/16" (665)	95 1/2" (2426)	14.37 (1.33)	16.95 (1.57)
AESLD3080	37 11/16" (957)	95" (2413)	38 3/16" (970)	95 1/2" (2426)	21.97 (2.04)	24.86 (2.31)

- * Sidelight Dimension always refers to outside frame to frame dimension.
- * "Minimum Rough Opening" dimensions may need to be increased to allow for use of building wraps, flashing, sill panning, brackets, fasteners or other items. See pages 236-237 for more details.
- * Dimensions in parentheses are in millimeters or square meters.

Direct-Set & Sash-Set Rectangular Entry Door Sidelights

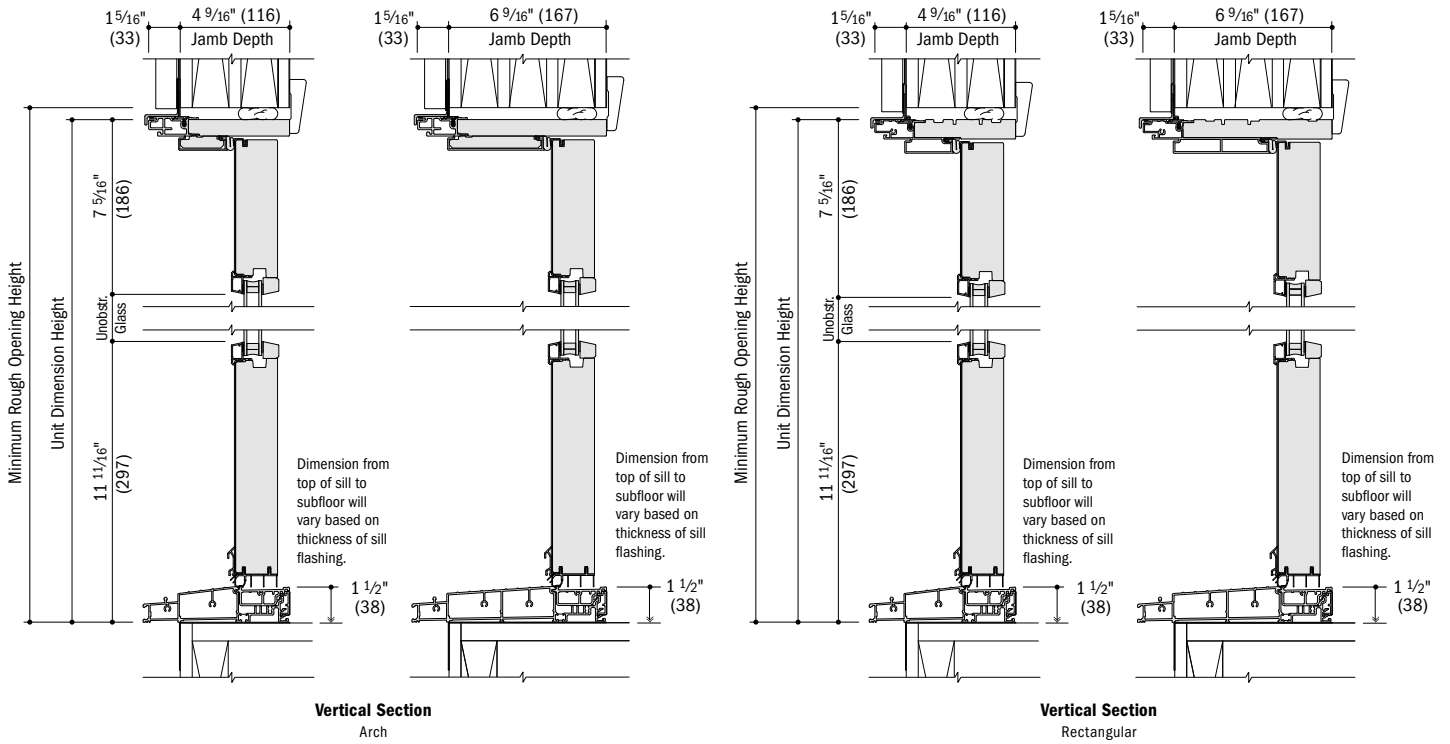


Direct-set (AESLD), sash-set inswing (AESLI) and sash-set outswing (AESLO) entry door sidelights shown. Dimensions and specifications shown for direct-set sidelights, contact your Andersen supplier for sash-set sidelight dimensions and specifications.

RESIDENTIAL ENTRY DOORS

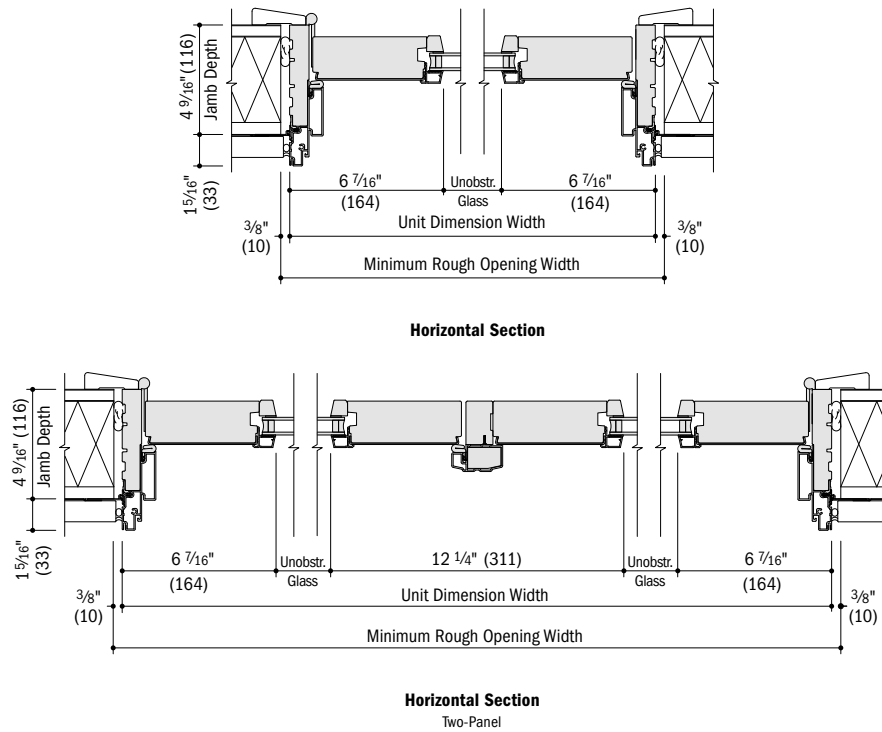
Arch and Rectangular Inswing Entry Door Details – 4 9/16" (116) and 6 9/16" (167) Jamb Depth

Scale 1 1/2" (38) = 1'-0" (305) – 1:8



Arch and Rectangular Inswing Entry Door Details – 4 9/16" (116) Jamb Depth

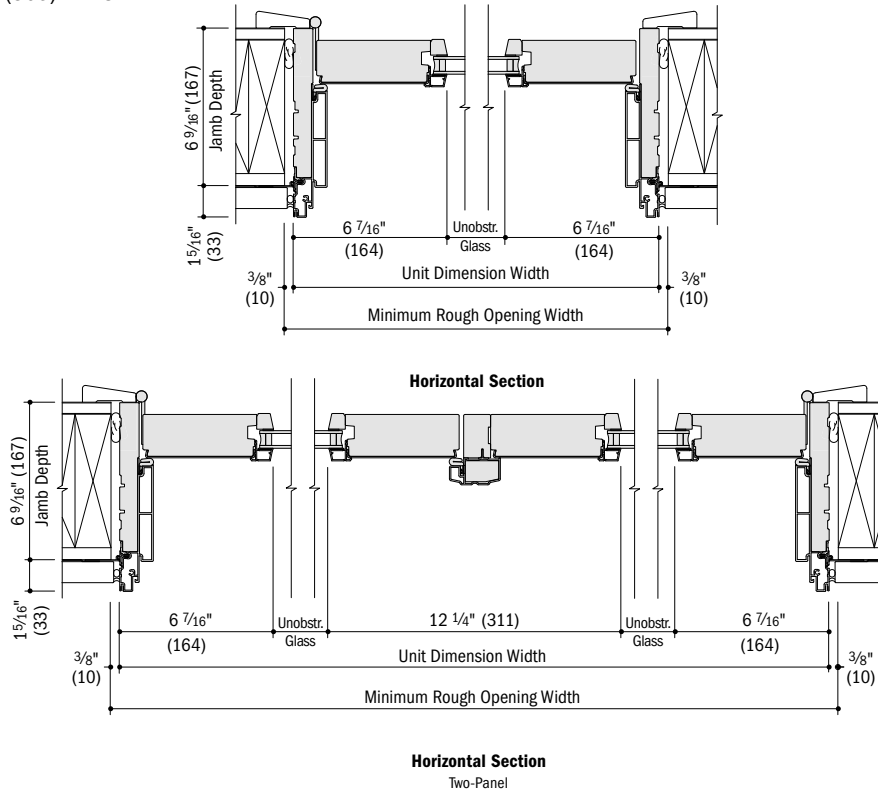
Scale 1 1/2" (38) = 1'-0" (305) – 1:8



- 4 9/16" (116) and 6 9/16" (167) jamb depth measurements are from back side of installation flange.
- Light-colored areas are parts included with door. Dark-colored areas are additional Andersen® parts required to complete door assembly as shown.
- **Rough openings may need to be increased to allow for use of building wraps, flashing, sill panning, brackets, fasteners or other items. See installation information on pages 236-237.**
- Details are for illustration only and are not intended to represent product installation methods or materials. Refer to product installation guides at andersenwindows.com.
- Dimensions in parentheses are in millimeters.
- Clad details shown, wood also available.

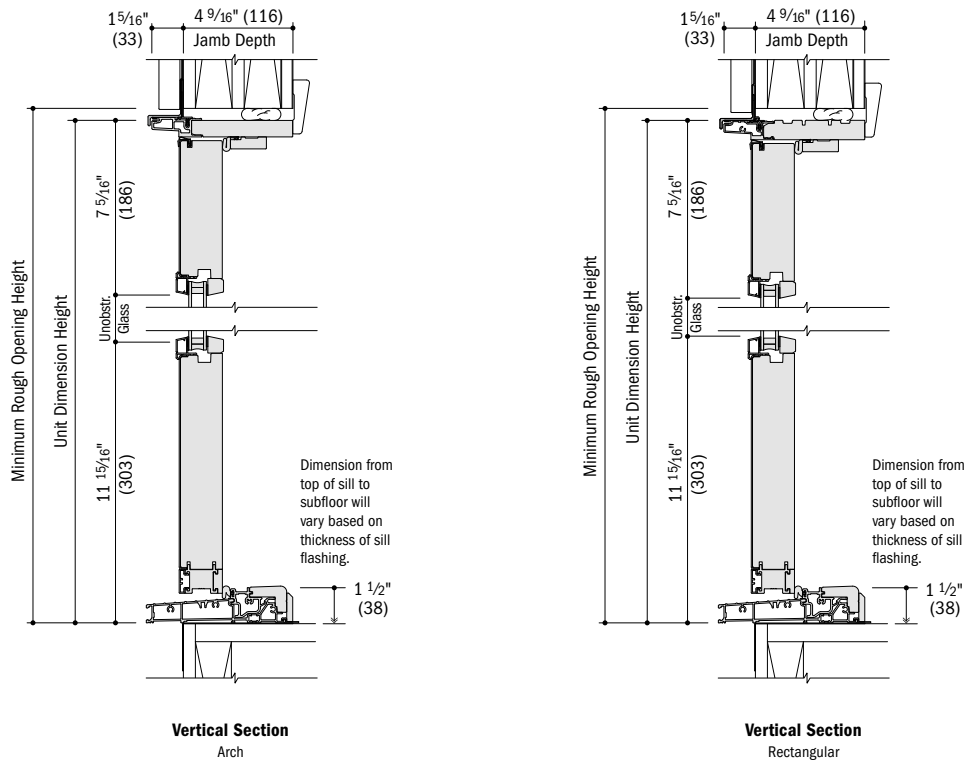
Arch and Rectangular Inswing Entry Door Details – 6 9/16" (167) Jamb Depth

Scale 1 1/2" (38) = 1'-0" (305) – 1:8



Arch and Rectangular Outswing Entry Door Details

Scale 1 1/2" (38) = 1'-0" (305) – 1:8



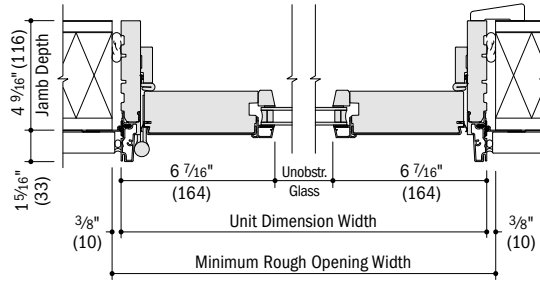
- 4 9/16" (116) and 6 9/16" (167) jamb depth measurement is from back side of installation flange.
- Light-colored areas are parts included with window and/or door. Dark-colored areas are additional Andersen® parts required to complete window and/or door assembly as shown.
- **Rough openings may need to be increased to allow for use of building wraps, flashing, sill panning, brackets, fasteners or other items. See installation information on pages 236-237.**
- Details are for illustration only and are not intended to represent product installation methods or materials. Refer to product installation guides at andersenwindows.com.
- Dimensions in parentheses are in millimeters.
- Clad details shown, wood also available.

Residential Inswing & Outswing Entry Doors & Sidelights

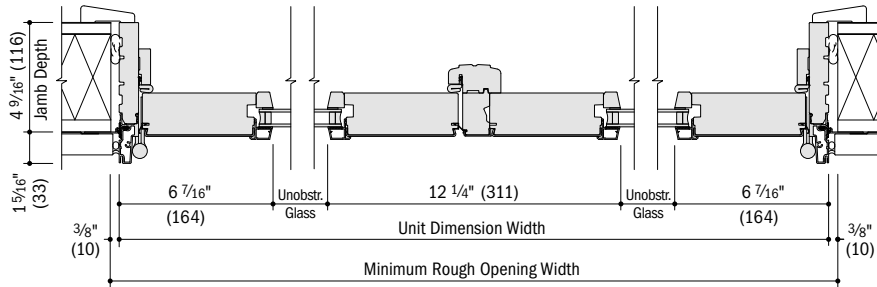
RESIDENTIAL ENTRY DOORS

Arch and Rectangular Outswing Entry Door Details

Scale 1 1/2" (38) = 1'-0" (305) – 1:8



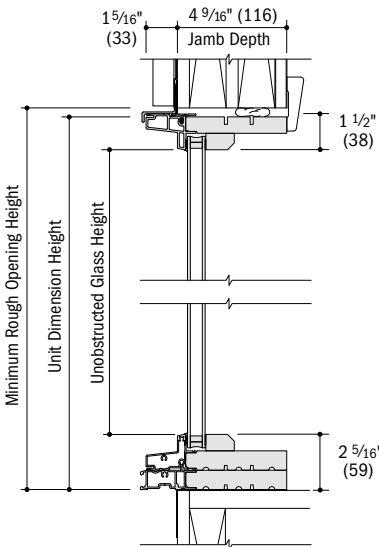
Horizontal Section



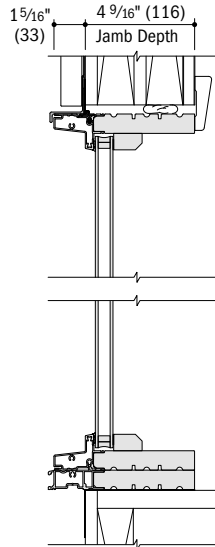
Horizontal Section
Two-Panel

Arch and Rectangular Entry Door Sidelight Details

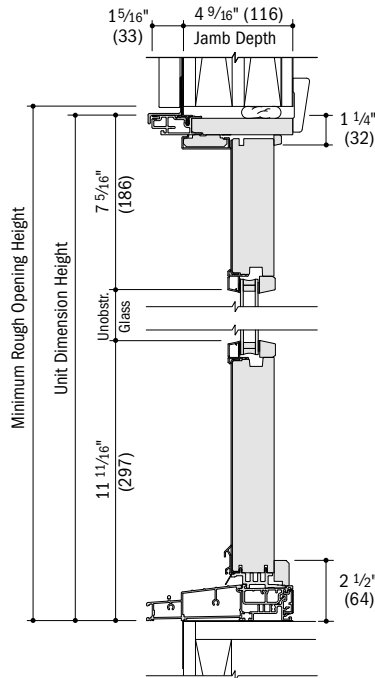
Scale 1 1/2" (38) = 1'-0" (305) – 1:8



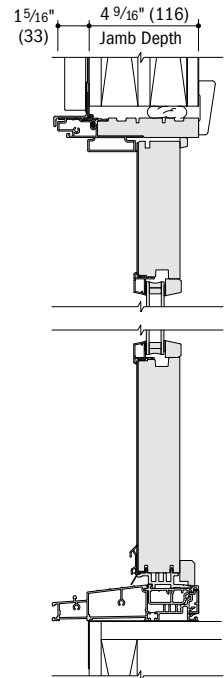
Vertical Section
Direct-Set Arch



Vertical Section
Direct-Set Rectangular



Vertical Section
Sash-Set Arch

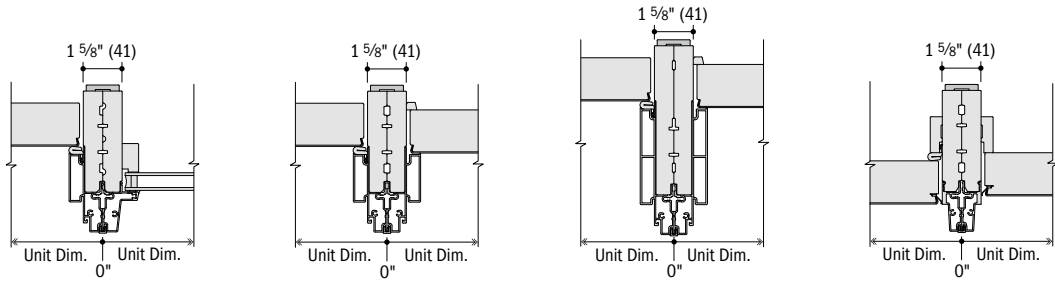


Vertical Section
Sash-Set Rectangular

- 4 9/16" (116) jamb depth measurement is from back side of installation flange.
- Light-colored areas are parts included with door. Dark-colored areas are additional Andersen® parts required to complete door assembly as shown.
- **Rough openings may need to be increased to allow for use of building wraps, flashing, sill panning, brackets, fasteners or other items. See installation information on pages 236-237.**
- Details are for illustration only and are not intended to represent product installation methods or materials. Refer to product installation guides at andersenwindows.com.
- Dimensions in parentheses are in millimeters.
- Clad details shown, wood also available.

Vertical Jamb-to-Jamb Joining Details

Scale 1 1/2" (38) = 1'-0" (305) – 1:8



Inswing Entry Door to Direct-Set Arch or Rectangular Sidelight
4 9/16" (116) Jamb Depth

Inswing Entry Door to Sash-Set Arch or Rectangular Sidelight
4 9/16" (116) Jamb Depth

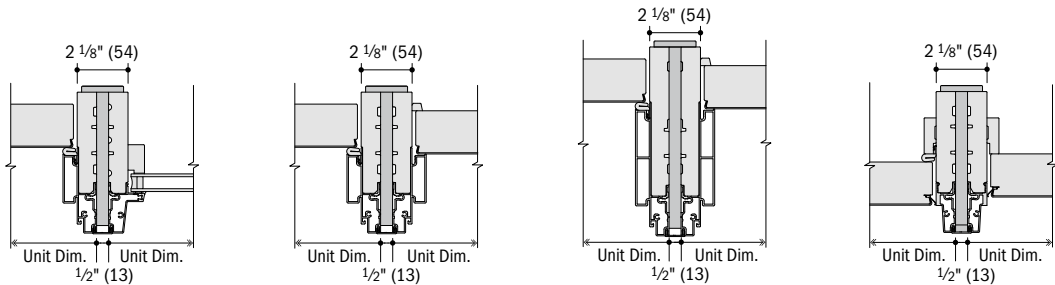
Inswing Entry Door to Sash-Set Arch or Rectangular Sidelight
6 9/16" (167) Jamb Depth

Outswing Entry Door to Sash-Set Arch or Rectangular Sidelight
4 9/16" (116) Jamb Depth

Non-reinforced jamb to jamb and 1/2" (13) wide wood joining shown. 1" (25) and 2" (51) wide joining also available. Contact your Andersen supplier for additional joining information.

Vertical Wood Joining Details

Scale 1 1/2" (38) = 1'-0" (305) – 1:8



Inswing Entry Door to Direct-Set Arch or Rectangular Sidelight
4 9/16" (116) Jamb Depth

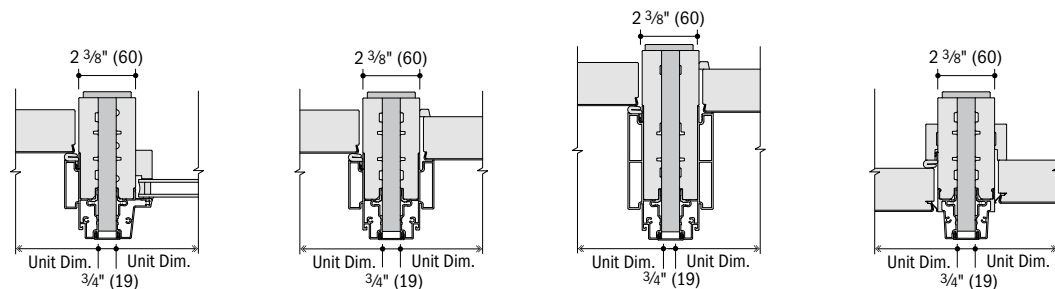
Inswing Entry Door to Sash-Set Arch or Rectangular Sidelight
4 9/16" (116) Jamb Depth

Inswing Entry Door to Sash-Set Arch or Rectangular Sidelight
6 9/16" (167) Jamb Depth

Outswing Entry Door to Sash-Set Arch or Rectangular Sidelight
4 9/16" (116) Jamb Depth

Vertical LVL Joining Details

Scale 1 1/2" (38) = 1'-0" (305) – 1:8



Inswing Entry Door to Direct-Set Arch or Rectangular Sidelight
4 9/16" (116) Jamb Depth

Inswing Entry Door to Sash-Set Arch or Rectangular Sidelight
4 9/16" (116) Jamb Depth

Inswing Entry Door to Sash-Set Arch or Rectangular Sidelight
6 9/16" (167) Jamb Depth

Outswing Entry Door to Sash-Set Arch or Rectangular Sidelight
4 9/16" (116) Jamb Depth

- Light-colored areas are parts included with door. Dark-colored areas are additional Andersen® parts required to complete door assembly as shown.
- **Rough openings may need to be increased to allow for use of building wraps, flashing, sill panning, brackets, fasteners or other items. See installation information on pages 236-237.**
- Details are for illustration only and are not intended to represent product installation methods or materials. Refer to product installation guides at andersenwindows.com.
- Consult with an architect or structural engineer regarding minimum requirements for structural support members between adjacent rough openings.
- Dimensions in parentheses are in millimeters.
- Clad details shown, wood also available.

ENTRY DOOR TRANSOMS

FEATURES



Transoms are sized to fit over Andersen® residential and commercial entry doors and other Andersen products. They are also available in custom sizes. Contact your Andersen supplier for details.

Frame

A thick aluminum cladding finish comes standard and meets AAMA 2604. An optional finish that meets the AAMA 2605 standard is available.

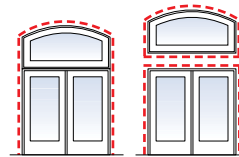
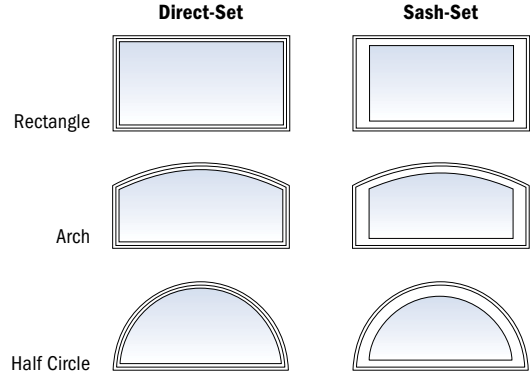
4 9/16" (116) jamb depth for 2x4 wall construction.
6 9/16" (167) jamb depth is also available.

All shapes are available direct-set. Rectangle, arch and half circle shapes are also available sash-set to match door stiles.

Shapes

Available in a wide variety of shapes including rectangle, arch, half circle, elliptical and Springline™ windows.

See page 201 for exterior colors, interior wood species, glass and other options.



Andersen entry doors and entry door transoms may be combined using joining materials or can be installed in separate rough openings for a joined appearance. They may also be combined with other units. Contact your Andersen supplier for more information.

Direct-Set Rectangular Entry Door Transom Dimensions and Specifications

Transom Number	Sidelight Dimensions		Min. Rough Opening		Glass Area Sq. Ft./ (m ²)	Overall Sidelight Area Sq. Ft./ (m ²)
	Width Inches/(mm)	Height Inches/(mm)	Width Inches/(mm)	Height Inches/(mm)		
AETD0812	9 15/16" (252)	12 13/16" (325)	10 7/16" (265)	13 3/16" (338)	0.47 (0.04)	0.88 (0.08)
AETD1012	15 15/16" (405)	12 13/16" (325)	16 7/16" (418)	13 5/16" (338)	0.88 (0.08)	1.42 (0.13)
AETD2012	25 11/16" (652)	12 13/16" (325)	26 3/16" (665)	13 5/16" (338)	1.55 (0.14)	2.29 (0.21)
AETD2612	31 11/16" (805)	12 13/16" (325)	32 3/16" (818)	13 5/16" (338)	1.95 (0.18)	2.82 (0.26)
AETD2812	33 11/16" (856)	12 13/16" (325)	34 3/16" (868)	13 5/16" (338)	2.09 (0.19)	3.00 (0.28)
AETD3012	37 11/16" (957)	12 13/16" (325)	38 3/16" (970)	13 5/16" (338)	2.36 (0.22)	3.35 (0.31)
AETD3612	43 11/16" (1110)	12 13/16" (325)	44 3/16" (1122)	13 5/16" (338)	2.77 (0.26)	3.89 (0.36)
AETD4012	50 3/4" (1289)	12 13/16" (325)	51 1/4" (1302)	13 5/16" (338)	3.25 (0.30)	4.52 (0.42)
AETD5012	62 3/4" (1594)	12 13/16" (325)	63 1/4" (1607)	13 5/16" (338)	4.07 (0.38)	5.58 (0.52)
AETD5412	66 3/4" (1695)	12 13/16" (325)	67 1/4" (1708)	13 5/16" (338)	4.34 (0.40)	5.94 (0.55)
AETD6012	74 3/4" (1899)	12 13/16" (325)	75 1/4" (1911)	13 5/16" (338)	4.89 (0.45)	6.65 (0.62)
AETD7012	86 3/4" (2203)	12 13/16" (325)	87 1/4" (2216)	13 5/16" (338)	5.71 (0.53)	7.72 (0.72)
AETD0817	9 15/16" (252)	17 13/16" (452)	10 7/16" (265)	18 5/16" (465)	0.71 (0.07)	1.23 (0.11)
AETD1017	15 15/16" (405)	17 13/16" (452)	16 7/16" (418)	18 5/16" (465)	1.33 (0.12)	1.97 (0.18)
AETD2017	25 11/16" (652)	17 13/16" (452)	26 3/16" (665)	18 5/16" (465)	2.33 (0.22)	3.18 (0.30)
AETD2617	31 11/16" (805)	17 13/16" (452)	32 3/16" (818)	18 5/16" (465)	2.95 (0.27)	3.92 (0.36)
AETD2817	33 11/16" (856)	17 13/16" (452)	34 3/16" (868)	18 5/16" (465)	3.16 (0.29)	4.17 (0.39)
AETD3017	37 11/16" (957)	17 13/16" (452)	38 3/16" (970)	18 5/16" (465)	3.57 (0.33)	4.66 (0.43)
AETD3617	43 11/16" (1110)	17 13/16" (452)	44 3/16" (1122)	18 5/16" (465)	4.19 (0.39)	5.40 (0.50)
AETD4017	50 3/4" (1289)	17 13/16" (452)	51 1/4" (1302)	18 5/16" (465)	4.91 (0.46)	6.28 (0.58)
AETD5017	62 3/4" (1594)	17 13/16" (452)	63 1/4" (1607)	18 5/16" (465)	6.15 (0.57)	7.76 (0.72)
AETD5417	66 3/4" (1695)	17 13/16" (452)	67 1/4" (1708)	18 5/16" (465)	6.56 (0.61)	8.26 (0.77)
AETD6017	74 3/4" (1899)	17 13/16" (452)	75 1/4" (1911)	18 5/16" (465)	7.38 (0.69)	9.25 (0.86)
AETD7017	86 3/4" (2203)	17 13/16" (452)	87 1/4" (2216)	18 5/16" (465)	8.61 (0.80)	10.73 (1.00)
AETD08111	9 15/16" (252)	21 13/16" (554)	10 7/16" (265)	22 5/16" (567)	0.91 (0.08)	1.51 (0.14)
AETD10111	15 15/16" (405)	21 13/16" (554)	16 7/16" (418)	22 5/16" (567)	1.69 (0.16)	2.41 (0.22)
AETD20111	25 11/16" (652)	21 13/16" (554)	26 3/16" (665)	22 5/16" (567)	2.96 (0.27)	3.89 (0.36)
AETD26111	31 11/16" (805)	21 13/16" (554)	32 3/16" (818)	22 5/16" (567)	3.75 (0.35)	4.80 (0.45)
AETD28111	33 11/16" (856)	21 13/16" (554)	34 3/16" (868)	22 5/16" (567)	4.01 (0.37)	5.10 (0.47)
AETD30111	37 11/16" (957)	21 13/16" (554)	38 3/16" (970)	22 5/16" (567)	4.53 (0.42)	5.71 (0.53)

continued on next page



Custom-size windows are available in 1/8" (3) increments.



Direct-Set Rectangular Entry Door Transom

Direct-set transoms (AETD) provide maximum unobstructed glass. Direct-set dimensions and specifications shown.



Sash-Set Rectangular Entry Door Transoms

Sash-set single (AETXXX-1) and twin (AETXXX-2) transoms are also available. Contact your Andersen supplier for dimensions and specifications.

- "Transom Dimension" always refers to outside frame to frame dimension.
- "Minimum Rough Opening" dimensions may need to be increased to allow for use of building wraps, flashing, sill panning, brackets, fasteners or other items. See pages 236-237 for more details.
- Dimensions in parentheses are in millimeters or square meters.

Direct-Set Rectangular Entry Door Transom Dimensions and Specifications (continued)

Transom Number	Sidelight Dimensions		Min. Rough Opening		Glass Area Sq. Ft./ (m ²)	Overall Sidelight Area Sq. Ft./ (m ²)
	Width Inches/(mm)	Height Inches/(mm)	Width Inches/(mm)	Height Inches/(mm)		
AETD36111	43 11/16" (1110)	21 13/16" (554)	44 3/16" (1122)	22 5/16" (567)	5.32 (0.49)	6.62 (0.61)
AETD40111	50 3/4" (1289)	21 13/16" (554)	51 1/4" (1302)	22 5/16" (567)	6.24 (0.58)	7.69 (0.71)
AETD50111	62 3/4" (1594)	21 13/16" (554)	63 1/4" (1607)	22 5/16" (567)	7.81 (0.73)	9.51 (0.88)
AETD54111	66 3/4" (1695)	21 13/16" (554)	67 1/4" (1708)	22 5/16" (567)	8.33 (0.77)	10.11 (0.94)
AETD60111	74 3/4" (1899)	21 13/16" (554)	75 1/4" (1911)	22 5/16" (567)	9.37 (0.87)	11.32 (1.05)
AETD70111	86 3/4" (2203)	21 13/16" (554)	87 1/4" (2216)	22 5/16" (567)	10.94 (1.02)	13.14 (1.22)
AETD0827	9 15/16" (252)	30" (762)	10 7/16" (265)	30 1/2" (775)	1.30 (0.12)	2.07 (0.19)
AETD1027	15 15/16" (405)	30" (762)	16 7/16" (418)	30 1/2" (775)	2.43 (0.23)	3.32 (0.31)
AETD2027	25 11/16" (652)	30" (762)	26 3/16" (665)	30 1/2" (775)	4.25 (0.39)	5.35 (0.50)
AETD2627	31 11/16" (805)	30" (762)	32 3/16" (818)	30 1/2" (775)	5.38 (0.50)	6.60 (0.61)
AETD2827	33 11/16" (856)	30" (762)	34 3/16" (868)	30 1/2" (775)	5.75 (0.53)	7.02 (0.65)
AETD3027	37 11/16" (957)	30" (762)	38 3/16" (970)	30 1/2" (775)	6.50 (0.60)	7.85 (0.73)
AETD3627	43 11/16" (1110)	30" (762)	44 3/16" (1122)	30 1/2" (775)	7.63 (0.71)	9.10 (0.85)
AETD4027	50 3/4" (1289)	30" (762)	51 1/4" (1302)	30 1/2" (775)	8.95 (0.83)	10.57 (0.98)
AETD5027	62 3/4" (1594)	30" (762)	63 1/4" (1607)	30 1/2" (775)	11.20 (1.04)	13.07 (1.21)
AETD5427	66 3/4" (1695)	30" (762)	67 1/4" (1708)	30 1/2" (775)	11.95 (1.11)	13.91 (1.29)
AETD6027	74 3/4" (1899)	30" (762)	75 1/4" (1911)	30 1/2" (775)	13.45 (1.25)	15.57 (1.45)
AETD7027	86 3/4" (2203)	30" (762)	87 1/4" (2216)	30 1/2" (775)	15.70 (1.46)	18.07 (1.68)
AETD4029	50 3/4" (1289)	32" (813)	51 1/4" (1302)	32 1/2" (826)	9.62 (0.89)	11.28 (1.05)
AETD5029	62 3/4" (1594)	32" (813)	63 1/4" (1607)	32 1/2" (826)	12.03 (1.12)	13.94 (1.30)
AETD5429	66 3/4" (1695)	32" (813)	67 1/4" (1708)	32 1/2" (826)	12.84 (1.19)	14.83 (1.38)
AETD6029	74 3/4" (1899)	32" (813)	75 1/4" (1911)	32 1/2" (826)	14.45 (1.34)	16.61 (1.54)
AETD7029	86 3/4" (2203)	32" (813)	87 1/4" (2216)	32 1/2" (826)	16.87 (1.57)	19.28 (1.79)
AETD4041	50 3/4" (1289)	48" (1219)	51 1/4" (1302)	48 1/2" (1232)	14.92 (1.39)	16.92 (1.57)
AETD5041	62 3/4" (1594)	48" (1219)	63 1/4" (1607)	48 1/2" (1232)	18.67 (1.73)	20.92 (1.94)
AETD5441	66 3/4" (1695)	48" (1219)	67 1/4" (1708)	48 1/2" (1232)	19.92 (1.85)	22.25 (2.07)
AETD6041	74 3/4" (1899)	48" (1219)	75 1/4" (1911)	48 1/2" (1232)	22.42 (2.08)	24.92 (2.32)
AETD7041	86 3/4" (2203)	48" (1219)	87 1/4" (2216)	48 1/2" (1232)	26.17 (2.43)	28.92 (2.69)
AETD4051	50 3/4" (1289)	60" (1524)	51 1/4" (1302)	60 1/2" (1537)	18.90 (1.76)	21.15 (1.96)
AETD5051	62 3/4" (1594)	60" (1524)	63 1/4" (1607)	60 1/2" (1537)	23.65 (2.20)	26.15 (2.43)
AETD5451	66 3/4" (1695)	60" (1524)	67 1/4" (1708)	60 1/2" (1537)	25.23 (2.34)	27.81 (2.58)
AETD6051	74 3/4" (1899)	60" (1524)	75 1/4" (1911)	60 1/2" (1537)	28.40 (2.64)	31.15 (2.89)
AETD7051	86 3/4" (2203)	60" (1524)	87 1/4" (2216)	60 1/2" (1537)	33.15 (3.08)	36.15 (3.36)



Custom-size windows are available in 1/8" (3) increments.



Direct-Set Rectangular Entry Door Transom

Direct-set transoms (AETD) provide maximum unobstructed glass. Direct-set dimensions and specifications shown.



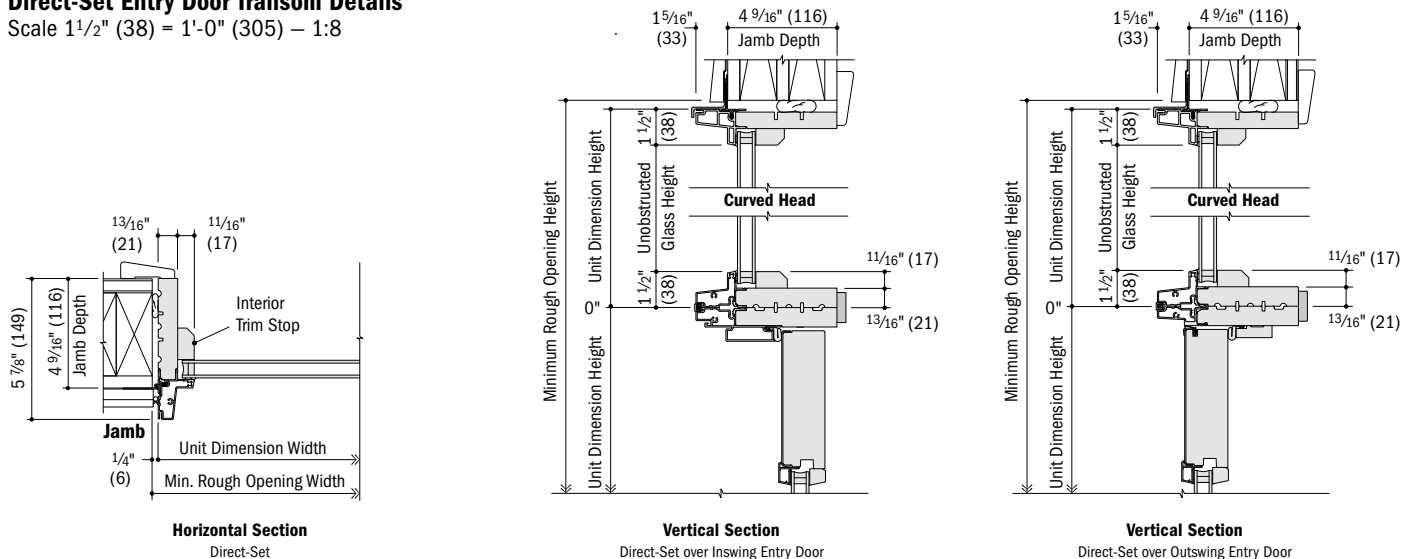
Sash-Set Rectangular Entry Door Transoms

Sash-set single (AETXXX-1) and twin (AETXXX-2) transoms are also available. Contact your Andersen supplier for dimensions and specifications.

- "Transom Dimension" always refers to outside frame to frame dimension.
- "Minimum Rough Opening" dimensions may need to be increased to allow for use of building wraps, flashing, sill panning, brackets, fasteners or other items. See pages 236-237 for more details.
- Dimensions in parentheses are in millimeters or square meters.

Direct-Set Entry Door Transom Details

Scale 1 1/2" (38) = 1'-0" (305) – 1:8



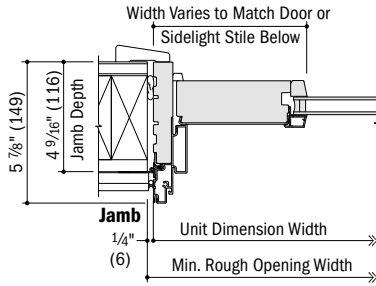
- 4 9/16" (116) jamb depth measurement is from back side of installation flange.
- Light-colored areas are parts included with window and/or door. Dark-colored areas are additional Andersen® parts required to complete window and/or door assembly as shown.
- **Rough openings may need to be increased to allow for use of building wraps, flashing, sill panning, brackets, fasteners or other items. See installation information on pages 236-237.**
- Details are for illustration only and are not intended to represent product installation methods or materials. Refer to product installation guides at andersenwindows.com.
- Dimensions in parentheses are in millimeters.
- Clad details shown, wood also available.
- Transoms are available in both 4 9/16" (116) and 6 9/16" (167) jamb depths.

Residential & Commercial Entry Door Transoms

ENTRY DOOR TRANSOMS

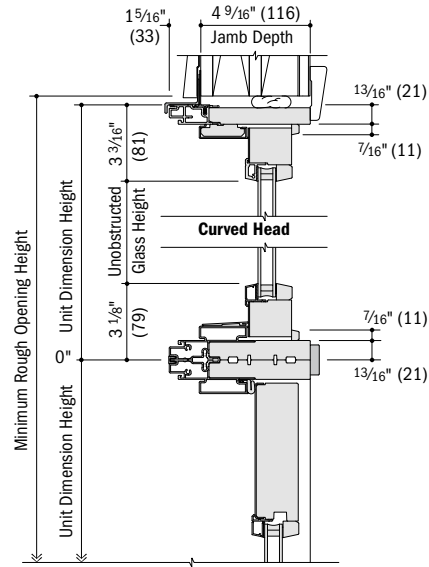
Sash-Set Entry Door Transom Details

Scale 1 1/2" (38) = 1'-0" (305) – 1:8



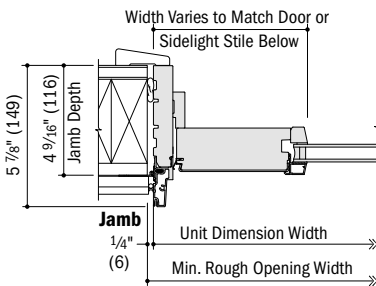
Horizontal Section

Sash-Set Transom for Inswing Entry Door



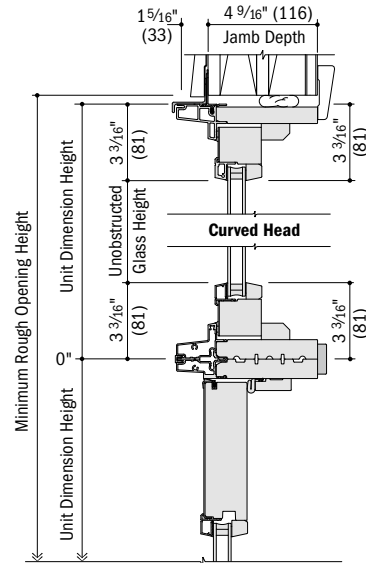
Vertical Section

Sash-Set Transom over Inswing Entry Door



Horizontal Section

Sash-Set Transom for Outswing Entry Door



Vertical Section

Sash-Set Transom over Outswing Entry Door

- 4 9/16" (116) jamb depth measurement is from back side of installation flange.
- Light-colored areas are parts included with window and/or door. Dark-colored areas are additional Andersen® parts required to complete window and/or door assembly as shown.
- **Rough openings may need to be increased to allow for use of building wraps, flashing, sill panning, brackets, fasteners or other items. See installation information on pages 236-237.**
- Details are for illustration only and are not intended to represent product installation methods or materials. Refer to product installation guides at andersenwindows.com.
- Dimensions in parentheses are in millimeters.
- Clad details shown, wood also available.
- Transoms are available in both 4 9/16" (116) and 6 9/16" (167) jamb depths.

FEATURES

Frame

A Standard commercial entry door sizes include 6'-10" (2083), 7'-1 5/16" (2167) and 7'-11" (2413) heights. Also available in custom sizes. Contact your Andersen supplier for details.

Thick aluminum cladding finish. Standard cladding finish meets AAMA 2604. An optional finish that meets the AAMA 2605 standard is available. Optional wood exteriors also available.

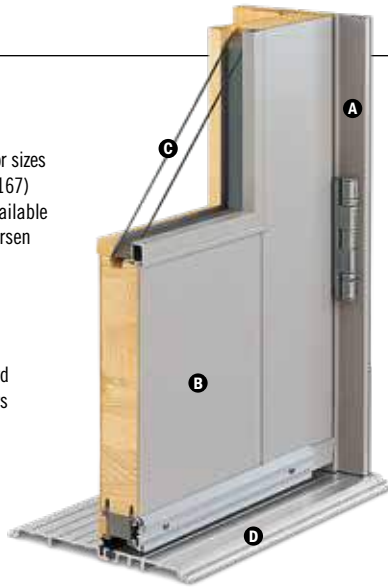
Interior extension jambs available in 1/16" (1.5) increments between 5 1/16" (129) and 12" (305).

Panel

B Standard offering is a 10" (254) bottom rail with 7 1/2" (191) top rail to conceal closure hardware. Optional 12" (305) bottom rail and custom width stiles are also available. Contact your Andersen supplier for details.

Complies with accessibility requirements for commercial and residential applications. Check local building codes, including the Americans with Disabilities Act (ADA) accessibility.

Commercial-grade ball-bearing hinges with a stainless steel look.



Sill



D Low-threshold thermally broken mill-finished aluminum sill is standard. Bronze anodized finish is also available. Innovative dam design helps resist water infiltration. The sill can be extended to the interior for various wall conditions.

Glass

C High-Performance glass options include:

- Low-E4[®] tempered glass
- Low-E4 HeatLock[®] tempered glass
- Low-E4 Sun tempered glass
- Low-E4 SmartSun[™] tempered glass
- Low-E4 SmartSun HeatLock tempered glass

Additional glass options are available. Contact your Andersen supplier.

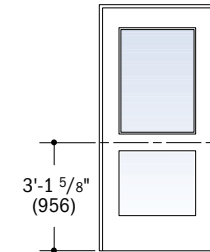
A removable translucent film helps shield the glass from damage during delivery and construction and also simplifies finishing at the jobsite.

ACCESSORIES Sold Separately

Hardware

Accepts standard commercial closer, panic bar, kick plate and hardware systems from most manufacturers.

4 3/4" (121) intermediate rail can be added to facilitate mounting of exit hardware.



Grilles & Art Glass

Grilles are available in a variety of configurations and widths. Decorative insulated art glass designs are available.

For more information about glass, grilles and installation accessories, contact your Andersen supplier.

EXTERIOR CLAD Custom colors available.



White Canvas Sandtone Terratone



Forest Green Dark Bronze Dove Gray Prairie Grass



Red Rock Cocoa Bean Black

EXTERIOR / INTERIOR

WOOD SPECIES Additional wood species available.



Pine Maple Oak Alder



Cherry Mahogany* Hickory Walnut

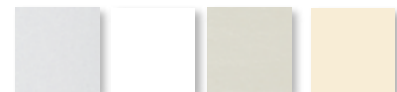


Mixed Grain Douglas Fir Vertical Grain Douglas Fir

Naturally occurring variations in grain, color and texture of wood make each door one-of-a-kind. All wood interiors are unfinished unless a painted option is specified.

INTERIOR

PAINTED OPTIONS Available on pine.



White Birch Bark Primed (for paint) Canvas



Sandtone Terratone Forest Green Dark Bronze



Dove Gray Prairie Grass Red Rock Cocoa Bean



Black

* Actual wood is Sapele, a non-endangered species of mahogany grown in Africa, with color and characteristics similar to American mahoganies.

Dimensions in parentheses are in millimeters.

Printing limitations prevent exact duplication of colors and finishes. See your Andersen supplier for actual color and finish samples.

COMMERCIAL OUTSWING ENTRY DOORS

Table of Commercial Outswing Entry Door and Sidelight Sizes

Scale 1/8" = 1'-0" (1:96)

Door Dimension	1'-3 15/16" (405)	2'-1 11/16" (652)	2'-7 11/16" (805)	2'-9 11/16" (856)	3'-1 11/16" (957)	3'-9 15/16" (1167)	6'-2 3/4" (1899)
6'-10" (2083)							
7'-1 5/16" (2167)							
7'-11" (2413)							



Custom-size doors are available in 1/8" (3) increments.

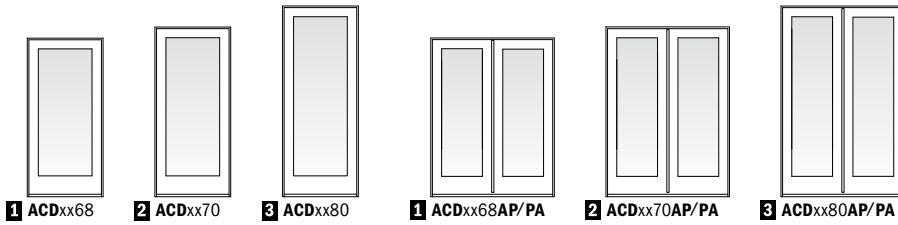
Standard sizes shown. See page 203 for minimum rough opening dimensions, glass area dimensions and opening specifications.

Available in both 10" (254) and 12" (305) bottom rail heights. For additional stile widths and additional options, contact your Andersen supplier. This door has a limited water rating (LW) due to the low-threshold sill. See page 205 for threshold and bottom rail details. Handle and lock are located between 34" (864) and 48" (1219).

For entry door transoms, see pages 198-200.

Check local building codes, including the Americans with Disabilities Act (ADA) accessibility.

• Dimensions in parentheses are in millimeters.



Custom-size doors are available in 1/8" (3) increments.

Available in custom designed panels, see page 186.

Stationary doors are also available (i.e. 3068S or 4068SS).

Commercial Outswing Entry Door Dimensions and Specifications

Door Number	Number of Panels Open*	Min. Rough Opening				Clear Opening Area Sq. Ft./ (m ²)	Clear Opening Maximums			Glass Area Sq. Ft./ (m ²)	Vent Area Sq. Ft./ (m ²)	Overall Door Area Sq. Ft./ (m ²)
		Width Inches/(mm)	Height Inches/(mm)	Width Inches/(mm)	Height Inches/(mm)		90° Width Inches/(mm)	Full Width Inches/(mm)	Height Inches/(mm)			
ACD3068	1	37 1/16" (957)	82" (2083)	38 3/16" (970)	82 1/2" (2096)	19.45 (1.81)	33 1/8" (841)	35 1/16" (891)	79 7/8" (2029)	10.60 (0.98)	19.45 (1.81)	21.46 (1.99)
ACD3668	1	43 1/16" (1110)	82" (2083)	44 3/16" (1122)	82 1/2" (2096)	22.78 (2.12)	39 1/8" (994)	41 1/16" (1043)	79 7/8" (2029)	13.15 (1.22)	22.78 (2.12)	24.88 (2.31)
ACD3868	1	45 1/16" (1167)	82" (2083)	46 7/16" (1180)	82 1/2" (2180)	24.02 (2.23)	41 3/8" (1051)	43 3/16" (1100)	79 7/8" (2029)	14.11 (1.31)	24.02 (2.23)	26.16 (2.43)
ACD3070	1	37 1/16" (957)	85 5/16" (2167)	38 3/16" (970)	85 13/16" (2180)	20.26 (1.88)	33 1/8" (841)	35 1/16" (891)	83 3/16" (2113)	11.17 (1.04)	20.26 (1.88)	22.33 (2.07)
ACD3670	1	43 1/16" (1110)	85 5/16" (2167)	44 3/16" (1122)	85 13/16" (2180)	23.72 (2.20)	39 1/8" (994)	41 1/16" (1043)	83 3/16" (2113)	13.86 (1.29)	23.72 (2.20)	25.88 (2.40)
ACD3870	1	45 1/16" (1167)	85 5/16" (2167)	46 7/16" (1180)	85 13/16" (2426)	25.02 (2.32)	41 3/8" (1051)	43 3/16" (1100)	83 3/16" (2113)	14.87 (1.38)	25.02 (2.32)	27.22 (2.53)
ACD3080	1	37 1/16" (957)	95" (2413)	38 3/16" (970)	95 1/2" (2426)	22.61 (2.10)	33 1/8" (841)	35 1/16" (891)	92 1/8" (2359)	12.84 (1.19)	22.61 (2.10)	24.86 (2.31)
ACD3680	1	43 1/16" (1110)	95" (2413)	44 3/16" (1122)	95 1/2" (2426)	26.48 (2.46)	39 1/8" (994)	41 1/16" (1043)	92 1/8" (2359)	15.94 (1.48)	26.48 (2.46)	28.82 (2.68)
ACD3880	1	45 1/16" (1167)	95" (2413)	46 7/16" (1180)	95 1/2" (2096)	27.94 (2.60)	41 3/8" (1051)	43 3/16" (1100)	92 1/8" (2359)	17.10 (1.59)	27.94 (2.60)	30.31 (2.82)
ACD4068	2	50 3/4" (1289)	82" (2083)	51 1/4" (1302)	82 1/2" (2096)	26.69 (2.48)	44 3/16" (1122)	48 1/8" (1222)	79 7/8" (2029)	12.46 (1.16)	26.69 (2.48)	28.90 (2.68)
ACD4068	1	50 3/4" (1289)	82" (2083)	51 1/4" (1302)	82 1/2" (2096)	12.76 (1.19)	21" (533)	23" (584)	79 7/8" (2029)	12.46 (1.16)	12.76 (1.19)	28.90 (2.68)
ACD5068	2	62 3/4" (1594)	82" (2083)	63 1/4" (1607)	82 1/2" (2096)	33.35 (3.10)	56 3/16" (1427)	60 1/8" (1527)	79 7/8" (2029)	16.08 (1.49)	33.35 (3.10)	35.73 (3.32)
ACD5068	1	62 3/4" (1594)	82" (2083)	63 1/4" (1607)	82 1/2" (2096)	16.09 (1.49)	27" (686)	29" (737)	79 7/8" (2029)	16.08 (1.49)	16.09 (1.49)	35.73 (3.32)
ACD5468	2	66 3/4" (1695)	82" (2083)	67 1/4" (1708)	82 1/2" (2096)	35.57 (3.30)	60 3/16" (1529)	64 1/8" (1629)	79 7/8" (2029)	17.79 (1.65)	35.57 (3.30)	38.01 (3.53)
ACD5468	1	66 3/4" (1695)	82" (2083)	67 1/4" (1708)	82 1/2" (2096)	17.20 (1.60)	29" (737)	31" (787)	79 7/8" (2029)	17.79 (1.65)	17.20 (1.60)	38.01 (3.53)
ACD6068	2	74 3/4" (1899)	82" (2083)	75 1/4" (1911)	82 1/2" (2096)	40.01 (3.72)	68 3/16" (1732)	72 1/8" (1832)	79 7/8" (2029)	21.20 (1.97)	40.01 (3.72)	42.57 (3.95)
ACD6068	1	74 3/4" (1899)	82" (2083)	75 1/4" (1911)	82 1/2" (2180)	19.41 (1.80)	33" (838)	35" (889)	79 7/8" (2029)	21.20 (1.97)	19.41 (1.80)	42.57 (3.95)
ACD4070	2	50 3/4" (1289)	85 5/16" (2167)	51 1/4" (1302)	85 13/16" (2180)	27.80 (2.58)	44 3/16" (1122)	48 1/8" (1222)	83 3/16" (2113)	13.13 (1.22)	27.80 (2.58)	30.07 (2.79)
ACD4070	1	50 3/4" (1289)	85 5/16" (2167)	51 1/4" (1302)	85 13/16" (2180)	13.29 (1.23)	21" (533)	23" (584)	83 3/16" (2113)	13.13 (1.22)	13.29 (1.23)	30.07 (2.79)
ACD5070	2	62 3/4" (1594)	85 5/16" (2167)	63 1/4" (1607)	85 13/16" (2180)	34.73 (3.23)	56 3/16" (1427)	60 1/8" (1527)	83 3/16" (2113)	16.95 (1.57)	34.73 (3.23)	37.18 (3.45)
ACD5070	1	62 3/4" (1594)	85 5/16" (2167)	63 1/4" (1607)	85 13/16" (2180)	16.75 (1.56)	27" (686)	29" (737)	83 3/16" (2113)	16.95 (1.57)	16.75 (1.56)	37.18 (3.45)
ACD5470	2	66 3/4" (1695)	85 5/16" (2167)	67 1/4" (1708)	85 13/16" (2180)	37.04 (3.44)	60 3/16" (1529)	64 1/8" (1629)	83 3/16" (2113)	18.75 (1.74)	37.04 (3.44)	39.55 (3.67)
ACD5470	1	66 3/4" (1695)	85 5/16" (2167)	67 1/4" (1708)	85 13/16" (2180)	17.91 (1.66)	29" (737)	31" (787)	83 3/16" (2113)	18.75 (1.74)	17.91 (1.66)	39.55 (3.67)
ACD6070	2	74 3/4" (1899)	85 5/16" (2167)	75 1/4" (1911)	85 13/16" (2180)	41.67 (3.87)	68 3/16" (1732)	72 1/8" (1832)	83 3/16" (2113)	22.34 (2.08)	41.67 (3.87)	44.29 (4.11)
ACD6070	1	74 3/4" (1899)	85 5/16" (2167)	75 1/4" (1911)	85 13/16" (2426)	20.22 (1.88)	33" (838)	35" (889)	83 3/16" (2113)	22.34 (2.08)	20.22 (1.88)	44.29 (4.11)
ACD4080	2	50 3/4" (1289)	95" (2413)	51 1/4" (1302)	95 1/2" (2426)	31.04 (2.88)	44 3/16" (1122)	48 1/8" (1222)	92 1/8" (2359)	15.10 (1.40)	31.04 (2.88)	33.48 (3.11)
ACD4080	1	50 3/4" (1289)	95" (2413)	51 1/4" (1302)	95 1/2" (2426)	14.83 (1.38)	21" (533)	23" (584)	92 1/8" (2359)	15.10 (1.40)	14.83 (1.38)	33.48 (3.11)
ACD5080	2	62 3/4" (1594)	95" (2413)	63 1/4" (1607)	95 1/2" (2426)	38.78 (3.60)	56 3/16" (1427)	60 1/8" (1527)	92 1/8" (2359)	19.49 (1.81)	38.78 (3.60)	41.40 (3.85)
ACD5080	1	62 3/4" (1594)	95" (2413)	63 1/4" (1607)	95 1/2" (2426)	18.70 (1.74)	27" (686)	29" (737)	92 1/8" (2359)	19.49 (1.81)	18.70 (1.74)	41.40 (3.85)
ACD5480	2	66 3/4" (1695)	95" (2413)	67 1/4" (1708)	95 1/2" (2426)	41.36 (3.84)	60 3/16" (1529)	64 1/8" (1629)	92 1/8" (2359)	21.56 (2.00)	41.36 (3.84)	44.04 (4.09)
ACD5480	1	66 3/4" (1695)	95" (2413)	67 1/4" (1708)	95 1/2" (2426)	19.99 (1.86)	29" (737)	31" (787)	92 1/8" (2359)	21.56 (2.00)	19.99 (1.86)	44.04 (4.09)
ACD6080	2	74 3/4" (1899)	95" (2413)	75 1/4" (1911)	95 1/2" (2426)	46.52 (4.32)	68 3/16" (1732)	72 1/8" (1832)	92 1/8" (2359)	25.69 (2.39)	46.52 (4.32)	49.31 (4.58)
ACD6080	1	74 3/4" (1899)	95" (2413)	75 1/4" (1911)	95 1/2" (2426)	22.57 (2.10)	33" (838)	35" (889)	92 1/8" (2359)	25.69 (2.39)	22.57 (2.10)	49.31 (4.58)

- * "Door Dimension" always refers to outside frame to frame dimension.
- * "Minimum Rough Opening" dimensions may need to be increased to allow for use of building wraps, flashing, sill panning, brackets, fasteners or other items. See pages 236-237 for more details.
- * Dimensions in parentheses are in millimeters or square meters.

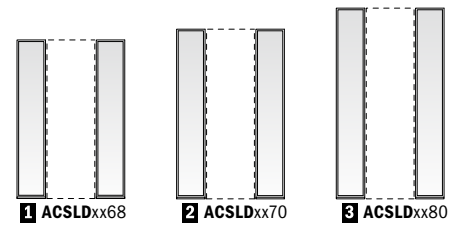
*For two-panel patio doors with one panel open, clear opening is based on active panel being open and passive panel being closed.

COMMERCIAL OUTSWING ENTRY DOORS

Direct-Set Commercial Outswing Entry Door Sidelight Dimensions and Specifications

Sidelight Number	Sidelight Dimensions		Min. Rough Opening		Glass Area Sq. Ft./ (m ²)	Overall Sidelight Area Sq. Ft./ (m ²)
	Width Inches/(mm)	Height Inches/(mm)	Width Inches/(mm)	Height Inches/(mm)		
ACSLD0868	9 15/16" (252)	82" (2083)	10 7/16" (265)	82 1/2" (2096)	3.77 (0.35)	5.66 (0.53)
ACSLD1068	15 15/16" (405)	82" (2083)	16 7/16" (418)	82 1/2" (2096)	7.03 (0.65)	9.08 (0.84)
ACSLD2068	25 11/16" (652)	82" (2083)	26 3/16" (665)	82 1/2" (2096)	12.32 (1.14)	14.63 (1.36)
ACSLD3068	37 11/16" (957)	82" (2083)	38 3/16" (970)	82 1/2" (2096)	18.84 (1.75)	21.46 (1.99)
ACSLD0870	9 15/16" (252)	85 5/16" (2167)	10 7/16" (265)	85 13/16" (2180)	3.93 (0.37)	5.89 (0.55)
ACSLD1070	15 15/16" (405)	85 5/16" (2167)	16 7/16" (418)	85 13/16" (2180)	7.32 (0.68)	9.44 (0.88)
ACSLD2070	25 11/16" (652)	85 5/16" (2167)	26 3/16" (665)	85 13/16" (2180)	12.84 (1.19)	15.22 (1.41)
ACSLD3070	37 11/16" (957)	85 5/16" (2167)	38 3/16" (970)	85 13/16" (2180)	19.63 (1.82)	22.33 (2.07)
ACSLD0880	9 15/16" (252)	95" (2413)	10 7/16" (265)	95 1/2" (2426)	4.40 (0.41)	6.56 (0.61)
ACSLD1080	15 15/16" (405)	95" (2413)	16 7/16" (418)	95 1/2" (2426)	8.19 (0.76)	10.51 (0.98)
ACSLD2080	25 11/16" (652)	95" (2413)	26 3/16" (665)	95 1/2" (2426)	14.37 (1.33)	16.95 (1.57)
ACSLD3080	37 11/16" (957)	95" (2413)	38 3/16" (970)	95 1/2" (2426)	21.97 (2.04)	24.86 (2.31)

- "Sidelight Dimension" always refers to outside frame to frame dimension.
- "Minimum Rough Opening" dimensions may need to be increased to allow for use of building wraps, flashing, sill panning, brackets, fasteners or other items. See pages 236-237 for more details.
- Dimensions in parentheses are in millimeters or square meters.

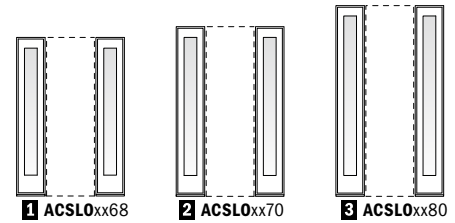


Direct-set (ACSLD) commercial outswing entry door sidelights.

Sash-Set Commercial Outswing Entry Door Sidelight Dimensions and Specifications

Sidelight Number	Sidelight Dimensions		Min. Rough Opening		Glass Area Sq. Ft./ (m ²)	Overall Sidelight Area Sq. Ft./ (m ²)
	Width Inches/(mm)	Height Inches/(mm)	Width Inches/(mm)	Height Inches/(mm)		
ACSL01068	15 15/16" (405)	82" (2083)	16 7/16" (418)	82 1/2" (2096)	3.41 (0.32)	9.08 (0.84)
ACSL02068	25 11/16" (652)	82" (2083)	26 3/16" (665)	82 1/2" (2096)	7.56 (0.70)	14.63 (1.36)
ACSL02668	31 11/16" (805)	82" (2083)	32 3/16" (818)	82 1/2" (2096)	8.79 (0.82)	18.04 (1.68)
ACSL02868	33 11/16" (856)	82" (2083)	34 3/16" (868)	82 1/2" (2096)	9.21 (0.86)	19.18 (1.78)
ACSL01070	15 15/16" (405)	85 5/16" (2167)	16 7/16" (418)	85 13/16" (2180)	3.59 (0.33)	9.44 (0.88)
ACSL02070	25 11/16" (652)	85 5/16" (2167)	26 3/16" (665)	85 13/16" (2180)	7.97 (0.74)	15.22 (1.41)
ACSL02670	31 11/16" (805)	85 5/16" (2167)	32 3/16" (818)	85 13/16" (2180)	9.26 (0.86)	18.77 (1.74)
ACSL02870	33 11/16" (856)	85 5/16" (2167)	34 3/16" (868)	85 13/16" (2180)	9.71 (0.90)	19.96 (1.85)
ACSL01080	15 15/16" (405)	95" (2413)	16 7/16" (418)	95 1/2" (2426)	4.13 (0.38)	10.51 (0.98)
ACSL02080	25 11/16" (652)	95" (2413)	26 3/16" (665)	95 1/2" (2426)	9.16 (0.85)	16.95 (1.57)
ACSL02680	31 11/16" (805)	95" (2413)	32 3/16" (818)	95 1/2" (2426)	10.65 (0.99)	20.9 (1.94)
ACSL02880	33 11/16" (856)	95" (2413)	34 3/16" (868)	95 1/2" (2426)	11.17 (1.04)	22.22 (2.06)

- "Sidelight Dimension" always refers to outside frame to frame dimension.
- "Minimum Rough Opening" dimensions may need to be increased to allow for use of building wraps, flashing, sill panning, brackets, fasteners or other items. See pages 236-237 for more details.
- Dimensions in parentheses are in millimeters or square meters.



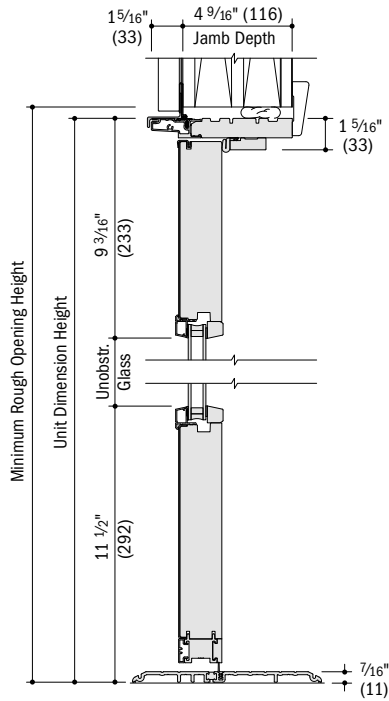
Sash-set (ACSL0) commercial outswing entry door sidelights.

Commercial Outswing Entry Door Details

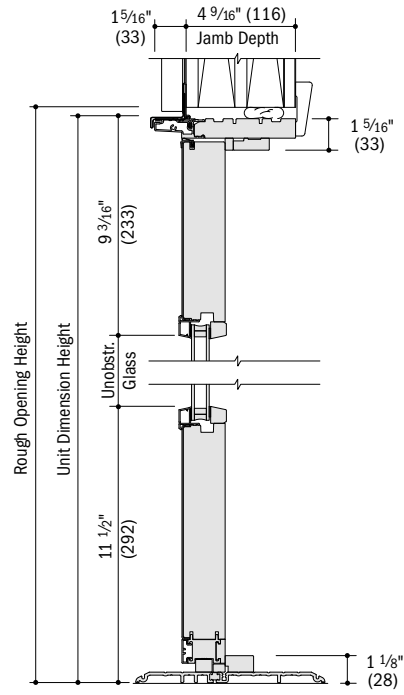
Scale 1 1/2" (38) = 1'-0" (305) – 1:8

Sash-Set Commercial Outswing Entry Door Sidelight Detail

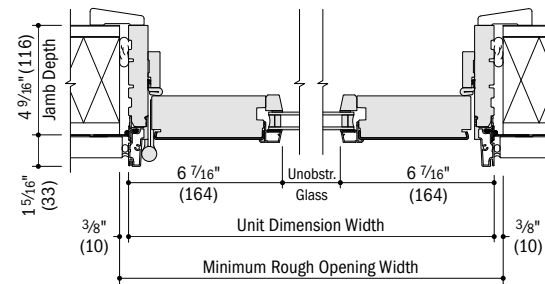
Scale 1 1/2" (38) = 1'-0" (305) – 1:8



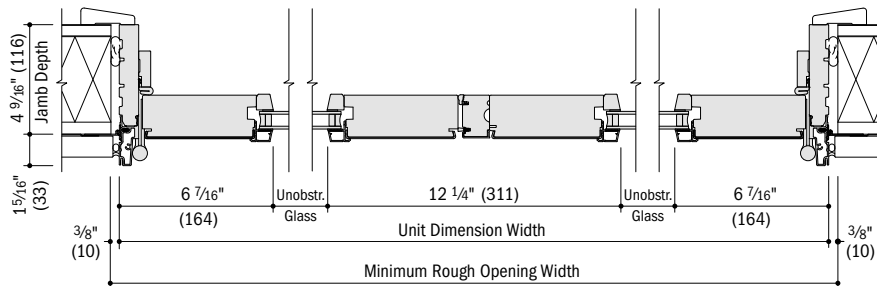
Vertical Section



Vertical Section



Horizontal Section



Horizontal Section
Two-Panel

- 4 9/16" (116) jamb depth measurements are from back side of installation flange.
- Light-colored areas are parts included with door. Dark-colored areas are additional Andersen® parts required to complete door assembly as shown.
- **Rough openings may need to be increased to allow for use of building wraps, flashing, sill panning, brackets, fasteners or other items. See installation information on pages 236-237.**
- Details are for illustration only and are not intended to represent product installation methods or materials. Refer to unit installation guides at andersenwindows.com.
- Dimensions in parentheses are in millimeters.
- Clad details shown, wood also available.

COMBINATION DESIGNS

Andersen® windows and patio doors make it easy to create a wide variety of combination designs.

Combination Types

Ribbons

Ribbons are horizontal window combinations (vertical joins) where opposite ends (head and sill) of individual windows are fastened to the building structure.

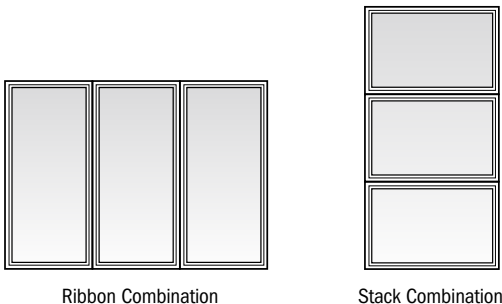
Stacks

Stacks are vertical window combinations (horizontal joins) where opposite sides (both side jambs) of individual windows are fastened to the building structure.

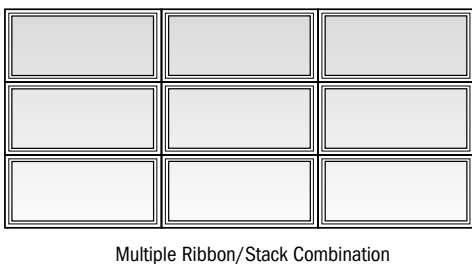
Two basic configurations are used in combination designs:

1-way configurations or 2-way configurations.

1-Way



2-Way



2-way combinations exist when multiple vertical stacks and horizontal ribbons are joined together. Unlike 1-way combinations, the adjacent sides (head and sill, or both side jambs) of individual units are not necessarily fastened directly to the building structure. 2-way combinations are joined with both vertical and horizontal joining material and may require reinforced joining materials and brackets depending on the local building code requirement for design wind load (measured in pounds per square foot, PSF).

Determining Design Wind Load Performance

Proper combination design in conformance with local wind load requirements is vital to the success of your project. To make sure a combination is safe and that it complies with local building codes, the combination design wind load performance capacity must be determined.

Correctly determining this performance capacity involves the following three steps:

STEP 1

Determine Building Code Requirement

Make sure that you have the proper local codes and have identified specified compliance values. This calculated value (PSF) will be used to determine if the combination will be acceptable (STEP 3).



STEP 2

Determine Product Performance

Compare product Design Pressure Rating data to the local building code (PSF) requirement. This will show whether the individual units in a combination design are acceptable.



STEP 3

Determine Combination Performance

This step helps determine whether a given product, size, configuration and joining material type will meet the local building code design wind load requirement. To determine what joining material type to use (fiberglass, clips or LVL), compare the local building code design wind load requirement to the design wind load table value for a particular joining material on the following pages.

Andersen® Joining Materials

For a successful installation, one engineered to provide the required design pressure, it is important Andersen joining materials and installation accessories be specified by a project architect or contractor. For one- or multi-directional combinations, Andersen offers a joining system to meet specified performance requirements. Choose from either our 4 9/16" (116) fiberglass joining options, Laminated Veneer Lumber (LVL) or clip joining methods. Each creates a joining system that enhances the look of Andersen products without sacrificing performance.

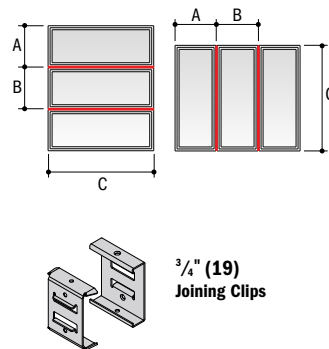
The addition of joining materials will affect the overall rough opening dimension, see page 236-237. **For all joining methods, see instruction guides for specific joining and anchoring information. Instruction guides are available at andersenwindows.com. Read and follow instruction guides in their entirety.**

Exterior trim strips and trim strip end caps are included with each kit for finishing exterior join. Interior moulding is included with each joining kit for finishing the join on the interior. Components used with each joining system will vary depending on products being joined. Check with your Andersen supplier for more information.

1-Way Clip Joining

A-Series: Casement, Awning, Double-Hung, Picture, Transom, Specialty Windows*

Average Adjacent Window Dimension	(A + B) ÷ 2 = 10'-0" (3048)	63	42	32				
	(A + B) ÷ 2 = 9'-6" (2896)	63	42	32				
	(A + B) ÷ 2 = 9'-0" (2743)	63	42	32				
	(A + B) ÷ 2 = 8'-6" (2591)	63	42	32				
	(A + B) ÷ 2 = 8'-0" (2438)	63	42	32				
	(A + B) ÷ 2 = 7'-6" (2286)	63	42	32				
	(A + B) ÷ 2 = 7'-0" (2134)	63	42	32				
	(A + B) ÷ 2 = 6'-6" (1981)	63	42	32				
	(A + B) ÷ 2 = 6'-0" (1829)	63	42	32				
	(A + B) ÷ 2 = 5'-6" (1676)	63	42	33				
	(A + B) ÷ 2 = 5'-0" (1524)	63	43	34				
	(A + B) ÷ 2 = 4'-6" (1372)	65	45	35				
	(A + B) ÷ 2 = 4'-0" (1219)	67	47	37				
	(A + B) ÷ 2 = 3'-6" (1067)	70	51	41	31			
	(A + B) ÷ 2 = 3'-0" (914)	70	55	44	33			
(A + B) ÷ 2 = 2'-6" (762)	70	64	52	39	33			
(A + B) ÷ 2 = 2'-0" (610)	70	70	60	45	38	30		
(A + B) ÷ 2 = 1'-6" (457)	70	70	70	60	50	40	34	
C = (length of join)	5'-6" (1676)	6'-0" (1829)	6'-6" (1981)	7'-0" (2134)	7'-6" (2286)	8'-0" (2438)	8'-6" (2591)	



Reinforced Joining Material

Reinforced joining material is used to create product alignment, positive joining and load transfer between the rough opening and Andersen A-Series windows and doors. Joining materials provide added strength capable of withstanding a greater range of wind load pressures.

Fiberglass Joining System utilizes 3/4" (19) x 4 9/16" (116) fiberglass interlocking joining plates and is available for 1- and 2-way joining of A-Series casement, awning, double-hung, picture, transom and specialty windows.* Three variations are available. The Easy Connect Joining System makes installation at the job site easier with smaller, factory assembled sub-group combinations that join together as they are installed in the rough opening. Fully joined combinations are factory assembled in complete combinations that arrive ready for installation in sizes up to 12' (3658) x 8' (2438) or 8' x 12'. Easy Connect Joining Kits include the necessary joining materials for individual units to be joined at the job site. This innovative design eliminates the need to disassemble units prior to joining and provides higher performance. Extension jambs are available factory-applied.

Laminated Veneer Lumber (LVL) joining materials with aluminum exterior trim receiver are available for joining specialty windows and also for joining patio doors. The structural performance of any combination is only as high as the lowest structural performance rating of any individual window or join in the combination. Available in both 4 9/16" (116) and 6 9/16" (167) widths and in a variety of combinations with joins up to 10'-4" (3150).

Non-Reinforced Joining Material

The structural performance of any combination is only as high as the lowest structural performance rating of any individual window or join in the combination. Non-reinforced joining material is used to create alignment and positive joining between windows.

Clips are mounted to the mid-point of the jambs being joined and are used for 1-way (ribbon or stack) joining only. Clip joining includes a CPVC exterior trim receiver and foam insulation.

*Numerical values in charts represent structural performance only.
 • Dimensions in parentheses are in millimeters.
 • Structural performance of any combination is only as high as the lowest structural performance of any individual unit or joining material in the combination.
 • Andersen® products must be installed and anchored properly according to joining and installation guides to meet rated structural performance. Refer to product joining and installation guides at andersenwindows.com.
 *For factory-joined specialty-to-specialty window combinations, LVL joining material will be used. See charts on pages 210-211.

COMBINATION DESIGNS

1-Way Fiberglass Joining

A-Series: Casement, Awning, Double-Hung, Picture, Transom, Specialty Windows*

(A+B)+2 = 12'-0" (3658)	70	70	70	70	70	70	70	70	70	70	66	58	50	42
(A+B)+2 = 11'-6" (3505)	70	70	70	70	70	70	70	70	70	70	66	58	50	42
(A+B)+2 = 11'-0" (3353)	70	70	70	70	70	70	70	70	70	70	66	58	50	42
(A+B)+2 = 10'-6" (3200)	70	70	70	70	70	70	70	70	70	70	66	58	50	42
(A+B)+2 = 10'-0" (3048)	70	70	70	70	70	70	70	70	70	70	66	58	50	42
(A+B)+2 = 9'-6" (2896)	70	70	70	70	70	70	70	70	70	70	66	58	50	42
(A+B)+2 = 9'-0" (2743)	70	70	70	70	70	70	70	70	70	70	66	58	50	42
(A+B)+2 = 8'-6" (2591)	70	70	70	70	70	70	70	70	70	70	66	58	50	42
(A+B)+2 = 8'-0" (2438)	70	70	70	70	70	70	70	70	70	70	66	58	50	42
(A+B)+2 = 7'-6" (2286)	70	70	70	70	70	70	70	70	70	70	66	58	50	43
(A+B)+2 = 7'-0" (2134)	70	70	70	70	70	70	70	70	70	70	66	58	51	44
(A+B)+2 = 6'-6" (1981)	70	70	70	70	70	70	70	70	70	70	67	59	52	45
(A+B)+2 = 6'-0" (1829)	70	70	70	70	70	70	70	70	70	70	68	60	54	47
(A+B)+2 = 5'-6" (1676)	70	70	70	70	70	70	70	70	70	70	69	62	56	50
(A+B)+2 = 5'-0" (1524)	70	70	70	70	70	70	70	70	70	70	70	65	59	54
(A+B)+2 = 4'-6" (1372)	70	70	70	70	70	70	70	70	70	70	70	69	63	58
(A+B)+2 = 4'-0" (1219)	70	70	70	70	70	70	70	70	70	70	70	70	68	62
(A+B)+2 = 3'-6" (1067)	70	70	70	70	70	70	70	70	70	70	70	70	70	69
(A+B)+2 = 3'-0" (914)	70	70	70	70	70	70	70	70	70	70	70	70	70	70
(A+B)+2 = 2'-6" (762)	70	70	70	70	70	70	70	70	70	70	70	70	70	70
(A+B)+2 = 2'-0" (610)	70	70	70	70	70	70	70	70	70	70	70	70	70	70
(A+B)+2 = 1'-6" (457)	70	70	70	70	70	70	70	70	70	70	70	70	70	70
C = (length of join)	2'-0" (610)	2'-6" (762)	3'-0" (914)	3'-6" (1067)	4'-0" (1219)	4'-6" (1372)	5'-0" (1524)	5'-6" (1676)	6'-0" (1829)	6'-6" (1981)	7'-0" (2134)	7'-6" (2286)	8'-0" (2438)	8'-6" (2591)

continued on next page

2-Way Fiberglass Joining

A-Series: Casement, Awning, Double-Hung, Picture, Transom, Specialty Windows*

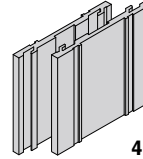
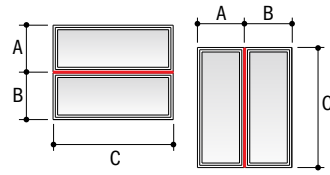
(A+B)+2 = 12'-0" (3658)	68	54	45	38	34	30								
(A+B)+2 = 11'-6" (3505)	70	56	47	40	35	31								
(A+B)+2 = 11'-0" (3048)	70	59	49	42	37	33								
(A+B)+2 = 10'-6" (3200)	70	62	51	44	38	34	31							
(A+B)+2 = 10'-0" (3048)	70	65	54	46	40	36	32							
(A+B)+2 = 9'-6" (2896)	70	68	57	49	43	38	34	31						
(A+B)+2 = 9'-0" (2743)	70	70	60	51	45	40	36	33	30					
(A+B)+2 = 8'-6" (2591)	70	70	64	54	48	42	38	35	32					
(A+B)+2 = 8'-0" (2438)	70	70	68	58	51	45	40	37	34	31				
(A+B)+2 = 7'-6" (2286)	70	70	70	62	54	48	43	39	36	33	31			
(A+B)+2 = 7'-0" (2134)	70	70	70	66	58	51	46	42	38	35	33	31		
(A+B)+2 = 6'-6" (1981)	70	70	70	70	62	55	50	45	41	38	35	33	31	
(A+B)+2 = 6'-0" (1829)	70	70	70	70	68	60	54	49	45	41	38	36	33	
(A+B)+2 = 5'-6" (1676)	70	70	70	70	70	66	59	54	49	45	42	39	36	32
(A+B)+2 = 5'-0" (1524)	70	70	70	70	70	70	65	59	54	50	46	43	40	35
(A+B)+2 = 4'-6" (1372)	70	70	70	70	70	70	70	66	60	55	51	48	45	39
(A+B)+2 = 4'-0" (1219)	70	70	70	70	70	70	70	70	68	62	58	54	50	44
(A+B)+2 = 3'-6" (1067)	70	70	70	70	70	70	70	70	70	70	66	62	57	51
(A+B)+2 = 3'-0" (914)	70	70	70	70	70	70	70	70	70	70	70	70	67	59
(A+B)+2 = 2'-6" (762)	70	70	70	70	70	70	70	70	70	70	70	70	70	70
(A+B)+2 = 2'-0" (610)	70	70	70	70	70	70	70	70	70	70	70	70	70	70
(A+B)+2 = 1'-6" (457)	70	70	70	70	70	70	70	70	70	70	70	70	70	70
C = (length of join)	2'-0" (610)	2'-6" (762)	3'-0" (914)	3'-6" (1067)	4'-0" (1219)	4'-6" (1372)	5'-0" (1524)	5'-6" (1676)	6'-0" (1829)	6'-6" (1981)	7'-0" (2134)	7'-6" (2286)	8'-0" (2438)	8'-6" (2591)

continued on next page

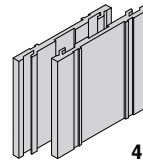
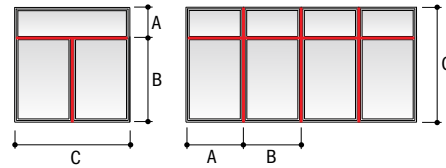
- Dimensions in parentheses are in millimeters.
- Andersen® products must be installed and anchored properly according to joining and installation guides to meet rated structural performance. Refer to product joining and installation guides at andersenwindows.com.
- Numeric value represents the certified Performance Grade (PG) rating of the combination.
- *For factory-joined specialty-to-specialty window combinations, LVL joining material will be used. See charts on pages 210-211.

1-Way Fiberglass Joining continued from previous page

35	30					
35	30					
35	30					
35	30					
35	30					
35	30					
35	30					
35	30					
36	31					
37	32					
38	33					
39	34	30				
41	36	31				
44	39	33				
47	42	36	31			
51	46	39	34			
57	50	43	37	32		
64	57	49	42	36	32	
70	66	56	48	42	37	32
70	70	67	58	50	44	38
70	70	70	70	62	54	48
70	70	70	70	70	70	63
9'-0" (2743)	9'-6" (2896)	10'-0" (3048)	10'-6" (3200)	11'-0" (3353)	11'-6" (3505)	12'-0" (3658)



**4 9/16" (116) x 3/4" (19)
Fiberglass Joining Material**



**4 9/16" (116) x 3/4" (19)
Fiberglass Joining Material**

2-Way Fiberglass Joining continued from previous page

32						
35	31					
40	35	32				
45	41	37	33	30		
53	47	43	39	35	32	30
64	57	51	47	42	39	36
70	70	64	58	53	49	45
70	70	70	70	70	65	60
9'-0" (2743)	9'-6" (2896)	10'-0" (3048)	10'-6" (3200)	11'-0" (3353)	11'-6" (3505)	12'-0" (3658)

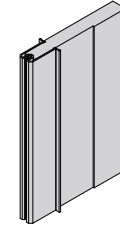
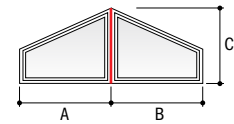
- Dimensions in parentheses are in millimeters.
- Andersen® products must be installed and anchored properly according to joining and installation guides to meet rated structural performance. Refer to product joining and installation guides at andersenwindows.com.
- Numeric value represents the certified Performance Grade (PG) rating of the combination.
- *For factory-joined specialty-to-specialty window combinations, LVL joining material will be used. See charts on pages 210-211.

COMBINATION DESIGNS

1-Way LVL Joining

A-Series: Factory-Joined Specialty Windows

4 9/16" LVL	Average Adjacent Window Dimension	(A + B) ÷ 2 = 10'-0" (3048)	70	70	70	55	44	33				
		(A + B) ÷ 2 = 9'-6" (2896)	70	70	70	55	44	33				
		(A + B) ÷ 2 = 9'-0" (2743)	70	70	70	55	44	33				
		(A + B) ÷ 2 = 8'-6" (2591)	70	70	70	55	44	33				
		(A + B) ÷ 2 = 8'-0" (2438)	70	70	70	55	44	33				
		(A + B) ÷ 2 = 7'-6" (2286)	70	70	70	55	44	33				
		(A + B) ÷ 2 = 7'-0" (2134)	70	70	70	55	44	33				
		(A + B) ÷ 2 = 6'-6" (1981)	70	70	70	56	45	34				
		(A + B) ÷ 2 = 6'-0" (1829)	70	70	70	56	45	35				
		(A + B) ÷ 2 = 5'-6" (1676)	70	70	70	58	47	36	30			
		(A + B) ÷ 2 = 5'-0" (1524)	70	70	70	60	49	38	32			
		(A + B) ÷ 2 = 4'-6" (1372)	70	70	70	64	52	40	34			
		(A + B) ÷ 2 = 4'-0" (1219)	70	70	70	67	55	43	36			
		(A + B) ÷ 2 = 3'-6" (1067)	70	70	70	70	61	48	41	33		
		(A + B) ÷ 2 = 3'-0" (914)	70	70	70	70	67	53	45	36	31	
		(A + B) ÷ 2 = 2'-6" (762)	70	70	70	70	70	62	53	43	37	31
		(A + B) ÷ 2 = 2'-0" (610)	70	70	70	70	70	70	62	50	44	36
		(A + B) ÷ 2 = 1'-6" (457)	70	70	70	70	70	70	70	67	59	49
		C = (length of join)	5'-6" (1676)	6'-0" (1829)	6'-6" (1981)	7'-0" (2134)	7'-6" (2286)	8'-0" (2438)	8'-6" (2591)	9'-0" (2286)	9'-6" (2438)	10'-0" (2591)

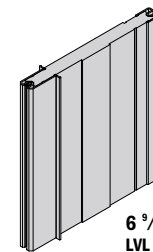
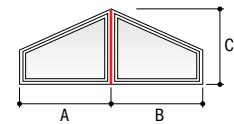


4 9/16" (116) x 3/4" (19) LVL Joining Material

1-Way LVL Joining

A-Series: Factory-Joined Specialty Windows

6 9/16" LVL	Average Adjacent Window Dimension	(A + B) ÷ 2 = 10'-0" (3048)	70	70	70	70	70	66	54	42	35		
		(A + B) ÷ 2 = 9'-6" (2896)	70	70	70	70	70	70	66	54	42	35	
		(A + B) ÷ 2 = 9'-0" (2743)	70	70	70	70	70	70	66	54	42	35	
		(A + B) ÷ 2 = 8'-6" (2591)	70	70	70	70	70	70	66	54	42	35	
		(A + B) ÷ 2 = 8'-0" (2438)	70	70	70	70	70	70	66	54	42	36	
		(A + B) ÷ 2 = 7'-6" (2286)	70	70	70	70	70	70	67	55	43	36	
		(A + B) ÷ 2 = 7'-0" (2134)	70	70	70	70	70	70	67	56	44	37	
		(A + B) ÷ 2 = 6'-6" (1981)	70	70	70	70	70	70	69	57	45	39	
		(A + B) ÷ 2 = 6'-0" (1829)	70	70	70	70	70	70	70	59	47	40	
		(A + B) ÷ 2 = 5'-6" (1676)	70	70	70	70	70	70	70	62	49	42	
		(A + B) ÷ 2 = 5'-0" (1524)	70	70	70	70	70	70	70	65	52	44	
		(A + B) ÷ 2 = 4'-6" (1372)	70	70	70	70	70	70	70	70	56	48	40
		(A + B) ÷ 2 = 4'-0" (1219)	70	70	70	70	70	70	70	70	60	52	42
		(A + B) ÷ 2 = 3'-6" (1067)	70	70	70	70	70	70	70	70	67	58	48
		(A + B) ÷ 2 = 3'-0" (914)	70	70	70	70	70	70	70	70	70	64	53
		(A + B) ÷ 2 = 2'-6" (762)	70	70	70	70	70	70	70	70	70	70	63
		(A + B) ÷ 2 = 2'-0" (610)	70	70	70	70	70	70	70	70	70	70	70
		(A + B) ÷ 2 = 1'-6" (457)	70	70	70	70	70	70	70	70	70	70	70
		C = (length of join)	5'-6" (1676)	6'-0" (1829)	6'-6" (1981)	7'-0" (2134)	7'-6" (2286)	8'-0" (2438)	8'-6" (2591)	9'-0" (2286)	9'-6" (2438)	10'-0" (2591)	



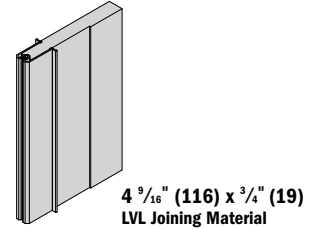
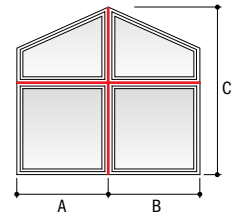
6 9/16" (167) x 3/4" (19) LVL Joining Material

- Numerical values in charts represent structural performance only.
- Dimensions in parentheses are in millimeters.
- Structural performance of any combination is only as high as the lowest structural performance of any individual unit or joining material in the combination.
- Andersen® products must be installed and anchored properly according to joining and installation guides to meet rated structural performance. Refer to product joining and installation guides at andersenwindows.com.

2-Way LVL Joining

A-Series: Factory-Joined Specialty Windows

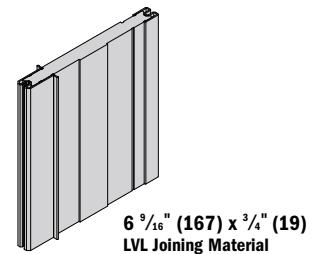
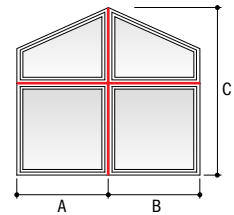
4 9/16" LVL	Average Adjacent Window Dimension	(A + B) ÷ 2 = 6'-6" (1981)	42	31																	
		(A + B) ÷ 2 = 6'-0" (1829)	45	33																	
		(A + B) ÷ 2 = 5'-6" (1676)	50	37	30																
		(A + B) ÷ 2 = 5'-0" (1524)	54	40	32																
		(A + B) ÷ 2 = 4'-6" (1372)	61	45	37																
		(A + B) ÷ 2 = 4'-0" (1219)	67	49	40	31															
		(A + B) ÷ 2 = 3'-6" (1067)	70	58	47	36	31														
		(A + B) ÷ 2 = 3'-0" (914)	70	65	54	41	35														
		(A + B) ÷ 2 = 2'-6" (762)	70	70	66	51	43	34													
		(A + B) ÷ 2 = 2'-0" (610)	70	70	70	61	52	41	35												
		(A + B) ÷ 2 = 1'-6" (457)	70	70	70	70	70	57	49	40	35										
		C = (length of join)	5'-6" (1676)	6'-0" (1829)	6'-6" (1981)	7'-0" (2134)	7'-6" (2286)	8'-0" (2438)	8'-6" (2591)	9'-0" (2286)	9'-6" (2438)										



2-Way LVL Joining

A-Series: Factory-Joined Specialty Windows

6 9/16" LVL	Average Adjacent Window Dimension	(A + B) ÷ 2 = 10'-0" (3048)	69	49	40	31															
		(A + B) ÷ 2 = 9'-6" (2896)	70	52	42	33															
		(A + B) ÷ 2 = 9'-0" (2743)	70	54	44	34															
		(A + B) ÷ 2 = 8'-6" (2591)	70	58	47	37	31														
		(A + B) ÷ 2 = 8'-0" (2438)	70	61	50	38	32														
		(A + B) ÷ 2 = 7'-6" (2286)	70	65	54	41	35														
		(A + B) ÷ 2 = 7'-0" (2134)	70	69	57	44	37														
		(A + B) ÷ 2 = 6'-6" (1981)	70	70	62	48	40	32													
		(A + B) ÷ 2 = 6'-0" (1829)	70	70	66	51	43	34	30												
		(A + B) ÷ 2 = 5'-6" (1676)	70	70	70	56	48	38	33												
		(A + B) ÷ 2 = 5'-0" (1524)	70	70	70	61	51	41	35												
		(A + B) ÷ 2 = 4'-6" (1372)	70	70	70	69	58	46	40	33											
		(A + B) ÷ 2 = 4'-0" (1219)	70	70	70	70	64	51	44	36	32										
		(A + B) ÷ 2 = 3'-6" (1067)	70	70	70	70	70	59	51	42	37	31									
		(A + B) ÷ 2 = 3'-0" (914)	70	70	70	70	70	67	58	48	42	35									
		(A + B) ÷ 2 = 2'-6" (762)	70	70	70	70	70	80	71	59	51	43									
		(A + B) ÷ 2 = 2'-0" (610)	70	70	70	70	70	80	80	70	62	52									
		(A + B) ÷ 2 = 1'-6" (457)	70	70	70	70	70	80	80	80	70	70									
		C = (length of join)	5'-6" (1676)	6'-0" (1829)	6'-6" (1981)	7'-0" (2134)	7'-6" (2286)	8'-0" (2438)	8'-6" (2591)	9'-0" (2286)	9'-6" (2438)	10'-0" (2591)									



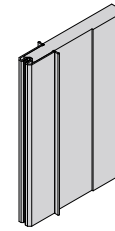
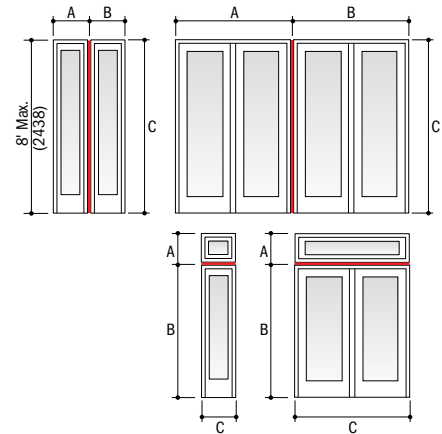
- Numerical values in charts represent structural performance only.
- Dimensions in parentheses are in millimeters.
- Structural performance of any combination is only as high as the lowest structural performance of any individual unit or joining material in the combination.
- Andersen® products must be installed and anchored properly according to joining and installation guides to meet rated structural performance. Refer to product joining and installation guides at andersenwindows.com.

COMBINATION DESIGNS

1-Way LVL Joining

A-Series: Frenchwood® Gliding, Inswing and Outswing Patio Doors, Frenchwood Patio Door Sidelights and Transoms

4 9/16" LVL	Average Adjacent Door/Transom/Sidelight Dimension	(A + B) ÷ 2 = 10'-0" (3048)	80	80	80	80	75	56	46			
		(A + B) ÷ 2 = 9'-6" (2896)	80	80	80	80	75	56	46			
		(A + B) ÷ 2 = 9'-0" (2743)	80	80	80	80	75	56	46			
		(A + B) ÷ 2 = 8'-6" (2591)	80	80	80	80	75	56	46			
		(A + B) ÷ 2 = 8'-0" (2438)	80	80	80	80	75	56	46			
		(A + B) ÷ 2 = 7'-6" (2286)	80	80	80	80	75	56	46			
		(A + B) ÷ 2 = 7'-0" (2134)	80	80	80	80	76	57	47			
		(A + B) ÷ 2 = 6'-6" (1981)	80	80	80	80	77	58	48			
		(A + B) ÷ 2 = 6'-0" (1829)	80	80	80	80	78	60	50			
		(A + B) ÷ 2 = 5'-6" (1676)	80	80	80	80	80	62	52	42		
		(A + B) ÷ 2 = 5'-0" (1524)	80	80	80	80	80	65	55	43		
		(A + B) ÷ 2 = 4'-6" (1372)	80	80	80	80	80	70	59	47	41	
		(A + B) ÷ 2 = 4'-0" (1219)	80	80	80	80	80	74	63	50	43	
		(A + B) ÷ 2 = 3'-6" (1067)	80	80	80	80	80	80	70	56	49	40
		(A + B) ÷ 2 = 3'-0" (914)	80	80	80	80	80	80	77	62	54	45
		(A + B) ÷ 2 = 2'-6" (762)	80	80	80	80	80	80	80	74	64	53
		(A + B) ÷ 2 = 2'-0" (610)	80	80	80	80	80	80	80	80	75	62
		(A + B) ÷ 2 = 1'-6" (457)	80	80	80	80	80	80	80	80	80	80
		C = (length of join)	5'-6" (1676)	6'-0" (1829)	6'-6" (1981)	7'-0" (2134)	7'-6" (2286)	8'-0" (2438)	8'-6" (2591)	9'-0" (2286)	9'-6" (2438)	10'-0" (2591)



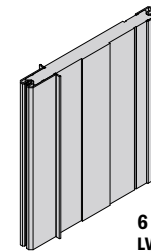
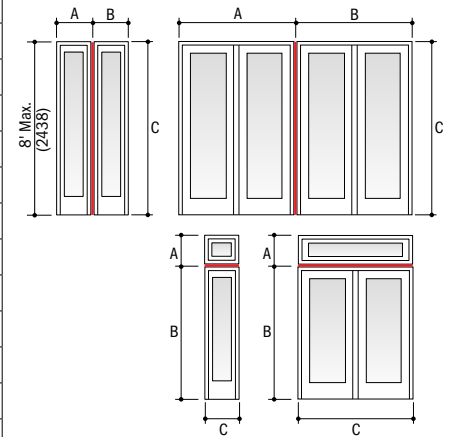
Note: When joining hinged inswing or outswing patio doors, do not join hinge jamb to hinge jamb.

4 9/16" (116) x 3/4" (19) LVL Joining Material

1-Way LVL Joining

A-Series: Frenchwood® Gliding, Inswing and Outswing Patio Doors, Frenchwood Patio Door Sidelights and Transoms

6 9/16" LVL	Average Adjacent Door/Transom/Sidelight Dimension	(A + B) ÷ 2 = 10'-0" (3048)	80	80	80	80	80	80	77	64	51	
		(A + B) ÷ 2 = 9'-6" (2896)	80	80	80	80	80	80	80	77	64	51
		(A + B) ÷ 2 = 9'-0" (2743)	80	80	80	80	80	80	80	77	65	51
		(A + B) ÷ 2 = 8'-6" (2591)	80	80	80	80	80	80	80	77	65	52
		(A + B) ÷ 2 = 8'-0" (2438)	80	80	80	80	80	80	80	78	66	53
		(A + B) ÷ 2 = 7'-6" (2286)	80	80	80	80	80	80	80	80	67	54
		(A + B) ÷ 2 = 7'-0" (2134)	80	80	80	80	80	80	80	80	69	56
		(A + B) ÷ 2 = 6'-6" (1981)	80	80	80	80	80	80	80	80	72	58
		(A + B) ÷ 2 = 6'-0" (1829)	80	80	80	80	80	80	80	80	75	61
		(A + B) ÷ 2 = 5'-6" (1676)	80	80	80	80	80	80	80	80	78	64
		(A + B) ÷ 2 = 5'-0" (1524)	80	80	80	80	80	80	80	80	80	68
		(A + B) ÷ 2 = 4'-6" (1372)	80	80	80	80	80	80	80	80	80	73
		(A + B) ÷ 2 = 4'-0" (1219)	80	80	80	80	80	80	80	80	80	79
		(A + B) ÷ 2 = 3'-6" (1067)	80	80	80	80	80	80	80	80	80	80
		(A + B) ÷ 2 = 3'-0" (914)	80	80	80	80	80	80	80	80	80	80
		(A + B) ÷ 2 = 2'-6" (762)	80	80	80	80	80	80	80	80	80	80
		(A + B) ÷ 2 = 2'-0" (610)	80	80	80	80	80	80	80	80	80	80
		(A + B) ÷ 2 = 1'-6" (457)	80	80	80	80	80	80	80	80	80	80
		C = (length of join)	5'-6" (1676)	6'-0" (1829)	6'-6" (1981)	7'-0" (2134)	7'-6" (2286)	8'-0" (2438)	8'-6" (2591)	9'-0" (2286)	9'-6" (2438)	10'-0" (2591)



Note: When joining hinged inswing or outswing patio doors, do not join hinge jamb to hinge jamb.

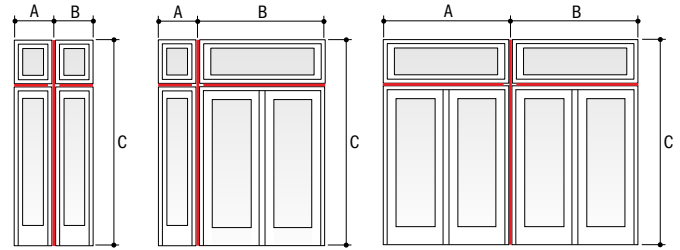
6 9/16" (167) x 3/4" (19) LVL Joining Material

- Two-panel doors shown. Three- and four-panel doors similar with different overall A and B widths.
- Numerical values in charts represent structural performance only.
- Dimensions in parentheses are in millimeters.
- Structural performance of any combination is only as high as the lowest structural performance of any individual unit or joining material in the combination.
- Andersen® products must be installed and anchored properly according to joining and installation guides to meet rated structural performance. Refer to product joining and installation guides at andersenwindows.com.

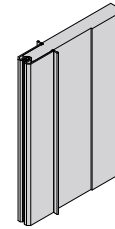
2-Way LVL Joining

A-Series: Frenchwood® Gliding, Inswing and Outswing Patio Doors, Frenchwood Patio Door Sidelights and Transoms

4 9/16" LVL	(A + B) ÷ 2 = 10'-0" (3048)	57	42																		
	(A + B) ÷ 2 = 9'-6" (2896)	60	45																		
	(A + B) ÷ 2 = 9'-0" (2743)	63	47																		
	(A + B) ÷ 2 = 8'-6" (2591)	67	50	41																	
	(A + B) ÷ 2 = 8'-0" (2438)	71	52	43																	
	(A + B) ÷ 2 = 7'-6" (2286)	76	57	46																	
	(A + B) ÷ 2 = 7'-0" (2134)	80	60	49																	
	(A + B) ÷ 2 = 6'-6" (1981)	80	65	53	41																
	(A + B) ÷ 2 = 6'-0" (1829)	80	70	57	44																
	(A + B) ÷ 2 = 5'-6" (1676)	80	77	63	49	41															
	(A + B) ÷ 2 = 5'-0" (1524)	80	80	68	53	45															
	(A + B) ÷ 2 = 4'-6" (1372)	80	80	77	60	50	40														
	(A + B) ÷ 2 = 4'-0" (1219)	80	80	80	66	55	44														
	(A + B) ÷ 2 = 3'-6" (1067)	80	80	80	77	65	52	44													
	(A + B) ÷ 2 = 3'-0" (914)	80	80	80	80	73	59	50	41												
	(A + B) ÷ 2 = 2'-6" (762)	80	80	80	80	80	72	62	51	45											
	(A + B) ÷ 2 = 2'-0" (610)	80	80	80	80	80	80	75	61	53	45										
	(A + B) ÷ 2 = 1'-6" (457)	80	80	80	80	80	80	80	80	80	74	62									
	C = (length of join)	5'-6" (1676)	6'-0" (1829)	6'-6" (1981)	7'-0" (2134)	7'-6" (2286)	8'-0" (2438)	8'-6" (2591)	9'-0" (2286)	9'-6" (2438)	10'-0" (2591)										



Note: When joining hinged inswing or outswing patio doors, do not join hinge jamb to hinge jamb.

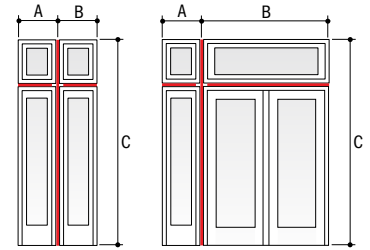


4 9/16" (116) x 3/4" (19) LVL Joining Material

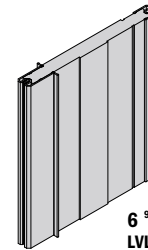
2-Way LVL Joining

A-Series: Frenchwood® Gliding, Inswing and Outswing Patio Doors, Frenchwood Patio Door Sidelights and Transoms

6 9/16" LVL	(A + B) ÷ 2 = 10'-0" (3048)	80	80	79	61	52	41														
	(A + B) ÷ 2 = 9'-6" (2896)	80	80	80	65	55	44														
	(A + B) ÷ 2 = 9'-0" (2743)	80	80	80	68	57	46														
	(A + B) ÷ 2 = 8'-6" (2591)	80	80	80	73	61	49	42													
	(A + B) ÷ 2 = 8'-0" (2438)	80	80	80	76	64	51	44													
	(A + B) ÷ 2 = 7'-6" (2286)	80	80	80	80	69	55	48													
	(A + B) ÷ 2 = 7'-0" (2134)	80	80	80	80	73	59	50	41												
	(A + B) ÷ 2 = 6'-6" (1981)	80	80	80	80	80	64	55	45												
	(A + B) ÷ 2 = 6'-0" (1829)	80	80	80	80	80	68	59	48	42											
	(A + B) ÷ 2 = 5'-6" (1676)	80	80	80	80	80	76	65	53	47											
	(A + B) ÷ 2 = 5'-0" (1524)	80	80	80	80	80	80	70	58	50	42										
	(A + B) ÷ 2 = 4'-6" (1372)	80	80	80	80	80	79	65	57	48											
	(A + B) ÷ 2 = 4'-0" (1219)	80	80	80	80	80	80	72	63	52											
	(A + B) ÷ 2 = 3'-6" (1067)	80	80	80	80	80	80	80	73	61											
	(A + B) ÷ 2 = 3'-0" (914)	80	80	80	80	80	80	80	80	80	69										
	(A + B) ÷ 2 = 2'-6" (762)	80	80	80	80	80	80	80	80	80	80										
	(A + B) ÷ 2 = 2'-0" (610)	80	80	80	80	80	80	80	80	80	80										
	(A + B) ÷ 2 = 1'-6" (457)	80	80	80	80	80	80	80	80	80	80										
	C = (length of join)	5'-6" (1676)	6'-0" (1829)	6'-6" (1981)	7'-0" (2134)	7'-6" (2286)	8'-0" (2438)	8'-6" (2591)	9'-0" (2286)	9'-6" (2438)	10'-0" (2591)										



Note: When joining hinged inswing or outswing patio doors, do not join hinge jamb to hinge jamb.



6 9/16" (167) x 3/4" (19) LVL Joining Material

- Two-panel doors shown. Three- and four-panel doors similar with different overall A and B widths.
- Numerical values in charts represent structural performance only.
- Dimensions in parentheses are in millimeters.
- Structural performance of any combination is only as high as the lowest structural performance of any individual unit or joining material in the combination.
- Andersen® products must be installed and anchored properly according to joining and installation guides to meet rated structural performance. Refer to product joining and installation guides at andersenwindows.com.

PRODUCT PERFORMANCE

Andersen® Window and Patio Door Altitude Limits – Dual-Pane Glass

The chart below gives the altitude limit in feet for most A-Series products in this catalog. If the installation of a given product is at an altitude greater than that shown in this chart, a capillary breather tube must be ordered. Be aware that the use of a capillary breather tube eliminates argon gas blend fill and will result in slightly lower thermal performance (approximately 0.02 increase in U-Factor). For NFRC certified total unit performance on units with capillary breather tubes for higher altitude applications, please visit andersenwindows.com/nfrc.

The use of dual-pane insulating glass at altitudes higher than its rating will result in severe glass distortion, increased glass breakage potential and a risk of seal failure.

Smaller windows are most affected by altitude changes. An increase in altitude results in a decrease in atmospheric pressure. A sealed insulating glass unit attempts to combat this change by increasing its volume to reduce its pressure. One way to increase its volume is by glass deflection. A smaller window is stiffer and does not deflect as much as a larger window; therefore, it cannot relieve the pressure as readily. Thus the load applied to the glass is greater, resulting in a greater risk for breakage. Another way the window tries to increase its volume is by increasing the edge area; i.e. the seal area. The increased pressure applied to the edge seal load for smaller windows is therefore greater, increasing the chance for seal failure.

Product	3,000	4,000	5,000	6,000	7,000	8,000	9,000	10,000				
A-Series Casement Windows	ACW1820 ACW1824 ACW1828 ACW1830 ACW1834	ACW1838 ACW1840 ACW1844 ACW1848 ACW1850	ACW1854 ACW1858 ACW1860 ACW1862 ACW2024	ACW2028 ACW2030 ACW2034 ACW2040 ACW2048 ACW2050 ACW2054 ACW2058 ACW2060	ACW2424 ACW2428 ACW2430 ACW2434 ACW2438 ACW2440 ACW2444 ACW2448 ACW2452	ACW2634 ACW2638 ACW2640 ACW2644 ACW2648 ACW2652 ACW2656 ACW2660 ACW2664 ACW2668 ACW2672 ACW2676 ACW2680 ACW2684 ACW2688 ACW2692	ACW2854 ACW2858 ACW2860 ACW2864 ACW2868 ACW2872 ACW2876 ACW2880 ACW2884 ACW2888 ACW2892 ACW2896 ACW2900 ACW2904 ACW2908 ACW2912 ACW2916 ACW2920	ACW3040 ACW3044 ACW3048 ACW3050 ACW3054 ACW3058 ACW3060				
A-Series Awning Windows	AAN1814 AAN2014 AAN2414 AAN2614 AAN2814 AAN21014 AAN3014 AAN3214 AAN3414 AAN3814 AAN4014 AAN4414 AAN4814 AAN5014 AAN5414 AAN5814	AAN6014 AAN1818 AAN2018 AAN2418 AAN2618 AAN2818 AAN21018 AAN3018 AAN3218 AAN3418 AAN3818 AAN4018 AAN4418 AAN4818 AAN5018 AAN5418 AAN5818	AAN5818 AAN6018 AAN18110 AAN20110 AAN24110 AAN26110 AAN28110 AAN210110 AAN30110 AAN32110 AAN34110 AAN38110 AAN40110 AAN44110 AAN48110 AAN50110 AAN54110 AAN58110	AAN3420 AAN3820 AAN4020 AAN4420 AAN4820 AAN5020 AAN5420 AAN5820 AAN6020 AAN2424	AAN2624 AAN2824 AAN21024 AAN3024 AAN3224 AAN3424 AAN3824 AAN4028 AAN4428 AAN2430	AAN4024 AAN4424 AAN4824 AAN5024 AAN5424 AAN5824 AAN6024 AAN21030	AAN4828 AAN5028 AAN5428 AAN5828 AAN6028 AAN2830 AAN21030	AAN3030 AAN3230 AAN3430 AAN3830 AAN4030 AAN4430 AAN4830 AAN5030 AAN5830 AAN6030	AAN5430			
A-Series Double-Hung Windows	ADH1830 ADH1834 ADH1838 ADH1840 ADH1844 ADH1848 ADH1850 ADH1854 ADH1858 ADH1860 ADH1864 ADH1868 ADH1874	ADH1880 ADH2030 ADH2034 ADH2038 ADH2040 ADH2044 ADH2048 ADH2050 ADH2054 ADH2058 ADH2064 ADH21040	ADH2434 ADH2438 ADH2630 ADH2634 ADH2638 ADH2642 ADH2646 ADH2650 ADH2654 ADH2658 ADH2662 ADH2666 ADH2670 ADH2674	ADH2068 ADH3040 ADH2074 ADH2080 ADH2440 ADH2444 ADH2448 ADH2452 ADH2456 ADH2460 ADH2464 ADH2468 ADH2474 ADH2640 ADH2644 ADH2648 ADH2652 ADH2656 ADH2660 ADH2664 ADH2668 ADH2672	ADH2648 ADH2840 ADH2654 ADH2658 ADH2662 ADH2666 ADH2670 ADH3044 ADH3240 ADH3440 ADH3444 ADH3838 ADH3840 ADH3844 ADH4038 ADH4040 ADH4044 ADH21044	ADH2850 ADH2854 ADH2858 ADH2860 ADH2864 ADH2868 ADH2874 ADH2880 ADH21050 ADH21054 ADH21058 ADH21060 ADH21064	ADH3058 ADH3060 ADH3064 ADH3068 ADH3074 ADH3080 ADH3250 ADH3254 ADH3258 ADH3260 ADH3264	ADH3268 ADH3274 ADH3280 ADH3458 ADH3460 ADH3858 ADH3860 ADH4058 ADH4060	ADH3464 ADH3468 ADH3874 ADH3880 ADH4068 ADH4074 ADH4080			
A-Series Picture Windows	APW1420 APW1424 APW1428 APW1430 APW1434 APW1438 APW1440 APW1448 APW1450 APW1454	APW1458 APW1460 APW1464 APW1468 APW1474 APW1480 APW1820 APW1824 APW1828 APW1830	APW1834 APW1838 APW1840 APW1844 APW1848 APW1850 APW1854 APW1858 APW1860 APW1864	APW1868 APW1874 APW2020 APW2420 APW2620 APW2820 APW21020 APW3020 APW3220	APW3420 APW2044 APW2048 APW2050 APW2054 APW2058 APW2060 APW2064 APW2068 APW2074 APW2080 APW2424 APW2624 APW2824 APW2430	APW4424 APW2434 APW4824 APW2440 APW5424 APW5824 APW6244 APW6424 APW6824 APW7024 APW7244 APW7424 APW7624 APW7824 APW8020 APW8204 APW8404 APW8604 APW8804 APW9004 APW9204 APW9404 APW9604 APW9804 APW10004	APW4828 APW6028 APW6428 APW6828 APW7028 APW7228 APW7428 APW7628 APW7828 APW8028 APW8228 APW8428 APW8628 APW8828 APW9028 APW9228 APW9428 APW9628 APW9828 APW10028	APW5028 APW4030 APW5428 APW5828 APW6228 APW6628 APW7028 APW7428 APW7828 APW8228 APW8628 APW9028 APW9428 APW9828 APW10028	APW5830 APW3058 APW6834 APW7034 APW7434 APW7834 APW8034 APW8234 APW8434 APW8634 APW8834 APW9034 APW9234 APW9434 APW9634 APW9834 APW10034	APW6034 APW5040 APW5440 APW5840 APW6040 APW6440 APW6840 APW7040 APW7440 APW7840 APW8040 APW8440 APW8840 APW9040 APW9440 APW9840 APW10040	APW4840 APW4874 APW4880 APW4884 APW5044 APW5048 APW5052 APW5056 APW5060 APW5064 APW5068 APW5072 APW5076 APW5080 APW5084 APW5088 APW5092 APW5096 APW5100 APW5104 APW5108 APW5112 APW5116 APW5120 APW5124 APW5128 APW5132 APW5136 APW5140 APW5144 APW5148 APW5152 APW5156 APW5160 APW5164 APW5168 APW5172 APW5176 APW5180 APW5184 APW5188 APW5192 APW5196 APW5200	APW4868 APW4872 APW4876 APW4880 APW4884 APW4888 APW4892 APW4896 APW4900 APW4904 APW4908 APW4912 APW4916 APW4920 APW4924 APW4928 APW4932 APW4936 APW4940 APW4944 APW4948 APW4952 APW4956 APW4960 APW4964 APW4968 APW4972 APW4976 APW4980 APW4984 APW4988 APW4992 APW4996 APW5000

• Deflection of glass will occur on units with larger glass areas. If interior/exterior grilles are used on double-hung windows, gliding windows or gliding patio doors, some interference may occur, affecting operation of these units.
 • Altitude limits for patio doors shown in two-panel configurations. These limits also qualify for same size panels used in one or multiple panel configurations.
 • Contact your Andersen supplier for altitude limits for custom-size windows and doors.

continued on next page

PRODUCT PERFORMANCE

Andersen® Window and Patio Door Altitude Limits – Triple-Pane Glass

The chart below gives the altitude limit in feet for most A-Series products in this catalog. If the installation of a given product is at an altitude greater than that shown in this chart, a capillary breather tube must be ordered. Be aware that the use of a capillary breather tube eliminates argon gas blend fill and will result in slightly lower thermal performance (approximately 0.02 increase in U-Factor). For NFRC certified total unit performance on units with capillary breather tubes for higher altitude applications, please visit andersenwindows.com/nfrc.

The use of triple-pane insulating glass at altitudes higher than its rating will result in severe glass distortion, increased glass breakage potential and a risk of seal failure.

Smaller windows are most affected by altitude changes. An increase in altitude results in a decrease in atmospheric pressure. A sealed insulating glass unit attempts to combat this change by increasing its volume to reduce its pressure. One way to increase its volume is by glass deflection. A smaller window is stiffer and does not deflect as much as a larger window; therefore, it cannot relieve the pressure as readily. Thus the load applied to the glass is greater, resulting in a greater risk for breakage. Another way the window tries to increase its volume is by increasing the edge area; i.e. the seal area. The increased pressure applied to the edge seal load for smaller windows is therefore greater, increasing the chance for seal failure.

Product	3,000	4,000				5,000		6,000		7,000		8,000		9,000		10,000		
A-Series Casement Windows	ACW1820	ACW1848	ACW2028	ACW2054	ACW2428	ACW2628	ACW2648	ACW2840	ACW21048	ACW2850	ACW3034	ACW3058						
	ACW1824	ACW1850	ACW2030	ACW2058	ACW2430	ACW2630	ACW2650	ACW2844	ACW21050	ACW2854	ACW3038	ACW3060						
	ACW1828	ACW1854	ACW2034	ACW2060	ACW2434	ACW2634	ACW2654	ACW2848	ACW3030	ACW2858	ACW3040							
	ACW1830	ACW1858	ACW2038	ACW2424	ACW2438	ACW2638	ACW2658	ACW21030	ACW21044	ACW2860	ACW3044							
	ACW1834	ACW1860	ACW2040	ACW2624	ACW2440	ACW2640	ACW2660	ACW21034	ACW21048	ACW21054	ACW3048							
	ACW1838	ACW2020	ACW2044	ACW2824	ACW2448	ACW2644	ACW2830	ACW21038	ACW21050	ACW21058	ACW3050							
	ACW1840	ACW2420	ACW2048		ACW2450	ACW2828	ACW2834	ACW21040	ACW3030	ACW21060	ACW3054							
	ACW1844	ACW2024	ACW2050		ACW2454	ACW21028	ACW2838	ACW21044										
					ACW2458	ACW3028												
					ACW2460													
A-Series Awning Windows	AAN1814	AAN1818	AAN18110	AAN50110	AAN5420	AAN2630	AAN4828	AAN3230				AAN5430						
	AAN2014	AAN2018	AAN1820	AAN54110	AAN5820	AAN4424	AAN2828	AAN5028	AAN3430			AAN5830						
	AAN2414	AAN2418	AAN1824	AAN58110	AAN6020	AAN4824	AAN21028	AAN5428	AAN3830			AAN6030						
	AAN2614	AAN2618	AAN1828	AAN60110	AAN2024	AAN5024	AAN3028	AAN5828	AAN4030									
	AAN2814	AAN2818	AAN1830	AAN2020	AAN2028	AAN5424	AAN3228	AAN6028	AAN4430									
	AAN21014	AAN21018	AAN20110	AAN2420	AAN2030	AAN5824	AAN3428	AAN2830	AAN4830									
	AAN3014	AAN3018	AAN24110	AAN2620	AAN2424	AAN6024	AAN3828	AAN21030	AAN5030									
	AAN3214	AAN3218	AAN26110	AAN2820	AAN2624	AAN2428	AAN4028	AAN3030										
	AAN3414	AAN3418	AAN28110	AAN21020	AAN2824	AAN2430	AAN4428											
	AAN3814	AAN3818	AAN210110	AAN3020	AAN21024	AAN2628												
	AAN4014	AAN4018	AAN30110	AAN3220	AAN3024													
	AAN4414	AAN4418	AAN32110	AAN3420	AAN3224													
	AAN4814	AAN4818	AAN34110	AAN3820	AAN3424													
	AAN5014	AAN5018	AAN38110	AAN4020	AAN3824													
	AAN5414	AAN5418	AAN40110	AAN4420														
	AAN5814	AAN5818	AAN44110	AAN4820														
	AAN6014	AAN6018	AAN48110	AAN5020														
	A-Series Double-Hung Windows	ADH1830	ADH2630	ADH3834	ADH2838	ADH4040	ADH4044	ADH2850	ADH4050		ADH3058	ADH4058	ADH3464	ADH3864	ADH3874		ADH4074	
ADH1834		ADH2830	ADH4034	ADH21038	ADH2444	ADH2648	ADH2854	ADH21054		ADH3060	ADH3260	ADH3468	ADH4064	ADH3880		ADH4080		
ADH1838		ADH21030	ADH2038	ADH3038	ADH2448	ADH2650	ADH2858	ADH21058		ADH3064	ADH3264	ADH3474	ADH3868					
ADH1840		ADH3030	ADH2040	ADH3238	ADH2450	ADH2654	ADH2860	ADH21060		ADH3068	ADH3268	ADH3480	ADH4068					
ADH1844		ADH3230	ADH2044	ADH3438	ADH2454	ADH2658	ADH2864	ADH21064		ADH3074	ADH3274							
ADH1848		ADH3430	ADH2048	ADH3838	ADH2458	ADH2660	ADH2868	ADH21068		ADH3080	ADH3280							
ADH1850		ADH3830	ADH2050	ADH4038	ADH2460	ADH2664	ADH2874	ADH21074		ADH3258	ADH3460							
ADH1854		ADH4030	ADH2054	ADH2440	ADH2464	ADH2668	ADH2880	ADH21080		ADH3458	ADH3860							
ADH1858		ADH2034	ADH2058	ADH2640	ADH2468	ADH2674	ADH21050	ADH3054		ADH3858	ADH4060							
ADH1860		ADH2434	ADH2060	ADH2840	ADH2474	ADH2680	ADH3050	ADH3254										
ADH1864		ADH2634	ADH2064	ADH21040	ADH2480	ADH2848	ADH3250	ADH3454										
ADH1868		ADH2834	ADH2068	ADH3040	ADH2644	ADH21048	ADH3450	ADH3854										
ADH1874		ADH21034	ADH2074	ADH3240	ADH2844	ADH3048	ADH3850	ADH4054										
ADH1880		ADH3034	ADH2080	ADH3440	ADH21044	ADH3248												
ADH2030		ADH3234	ADH2438	ADH3840	ADH3044	ADH3448												
ADH2430		ADH3434	ADH2638		ADH3244	ADH3848												
					ADH3444	ADH4048												
					ADH3844													
A-Series Picture Windows	3,000				4,000													
	APW1414	APW1458	APW1834	APW2020	APW2048	APW4424	APW2658	APW5028	APW21070	APW5830	APW3438	APW6434	APW3868	APW4040	APW5444	APW4448	APW6458	
	APW1814	APW1460	APW1838	APW2420	APW2050	APW4824	APW2660	APW5428	APW21074	APW6030	APW3444	APW6834	APW4740	APW4440	APW5844	APW4450	APW6858	
	APW2014	APW1464	APW1840	APW2620	APW2054	APW5024	APW2664	APW5828	APW3030	APW6430	APW3448	APW7840	APW4480	APW4840	APW6044	APW4454	APW7058	
	APW2414	APW1468	APW1844	APW2820	APW2058	APW5424	APW2668	APW6028	APW3230	APW6830	APW3454	APW8040	APW5040	APW5440	APW6444	APW4458	APW7458	
	APW2614	APW1470	APW1848	APW21020	APW2060	APW5824	APW2670	APW6428	APW3430	APW7030	APW3450	APW8400	APW5408	APW5808	APW6844	APW4460	APW7858	
	APW2814	APW1474	APW1850	APW2024	APW2064	APW6024	APW2674	APW6828	APW3830	APW3058	APW3454	APW8038	APW5840	APW6240	APW7804	APW4464	APW8058	
	APW21014	APW1478	APW1854	APW3220	APW2068	APW6424	APW2678	APW7028	APW4030	APW3060	APW3458	APW8408	APW6408	APW6808	APW8008	APW4468	APW8450	
	APW3014	APW1480	APW1858	APW3420	APW2070	APW6824	APW2680	APW7428	APW4430	APW3064	APW3460	APW8838	APW6414	APW6814	APW8014	APW4474	APW8850	
	APW3214	APW1818	APW1860	APW3820	APW2074	APW7024	APW2682	APW7828	APW4830	APW3068	APW3470	APW9038	APW6418	APW6818	APW8018	APW4478	APW9050	
	APW3414	APW2018	APW1864	APW4020	APW2078	APW7424	APW21028	APW7850	APW5030	APW3070	APW3474	APW9438	APW6424	APW6824	APW8024	APW4484	APW9450	
	APW3814	APW2218	APW1868	APW4420	APW2080	APW7824	APW3028	APW7854	APW5430	APW3260	APW3478	APW9838	APW6428	APW6828	APW8028	APW4488	APW9850	
	APW4014	APW2418	APW1870	APW4820	APW2424	APW2444	APW3228	APW7858	APW5034	APW3264	APW3480	APW10038	APW6432	APW6832	APW8032	APW4494	APW10050	
	APW4414	APW2618	APW1874	APW5020	APW2624	APW2448	APW3428	APW7860	APW5038	APW3268	APW3484	APW10438	APW6436	APW6836	APW8036	APW4498	APW10450	
	APW4814	APW2818	APW1878	APW5420	APW2824	APW2450	APW3828	APW7864	APW5040	APW3270	APW3488	APW10838	APW6440	APW6840	APW8040	APW4504	APW10850	
	APW5014	APW21018	APW1880	APW5820	APW21024	APW2454	APW4028	APW7868	APW5044	APW3274	APW3492	APW11238	APW6444	APW6844	APW8044	APW4508	APW11250	
	APW5414	APW3018	APW20110	APW6020	APW3024	APW2458	APW4428	APW7870	APW5048	APW3278	APW3496	APW11638	APW6448	APW6848	APW8048	APW4514	APW11650	
	APW5814	APW3218	APW24110	APW6420	APW3224	APW2460	APW4828	APW7874	APW5050	APW3280	APW3500	APW12038	APW6452	APW6852	APW8052	APW4518	APW12050	
	APW6014	APW3418	APW26110	APW6820	APW3424	APW2464	APW2830	APW7878	APW5054	APW3284	APW3504	APW12438	APW6456	APW6856	APW8056	APW4524	APW12450	
	APW6414	APW3818	APW28110	APW7020	APW3824	APW2468	APW2834	APW7880	APW5058	APW3288	APW3508	APW12838	APW6460	APW6860	APW8060	APW4530	APW12850	
	APW6814	APW4018	APW30110	APW7420	APW4024	APW2470	APW2838	APW7884	APW5062	APW3292	APW3512	APW13238	APW6464	APW6864	APW8064	APW4536	APW13250	
	APW7014	APW4418	APW32110	APW7820	APW4024	APW2474	APW2840	APW7888	APW5066	APW3296	APW3516	APW13638	APW6468	APW6868	APW8068	APW4542	APW13650	
	APW7414	APW4818	APW34110	APW8220	APW4228	APW2478	APW2844	APW7892	APW5070	APW3300	APW3520	APW14038	APW6472	APW6872	APW8072	APW4548	APW14050	
	APW7814	APW5018	APW38110	APW8620	APW2430	APW2480	APW2848	APW7896	APW5074	APW3304	APW3524	APW14438	APW6476	APW6876	APW8076	APW4554	APW14450	
	APW8014	APW5418	APW40110	APW9020	APW2434	APW2628	APW21078	APW7900	APW5078	APW3308	APW3528	APW14838	APW6480	APW6880	APW8080	APW4560	APW14850	
	APW1418	APW5818	APW44110	APW2030	APW2438	APW2630	APW21080	APW7904	APW5082	APW3312	APW3532	APW15238	APW6484	APW6884	APW8084	APW4566	APW15250	
	APW18110	APW6018	APW48110	APW2038	APW2440	APW2634	APW21084	APW7908	APW5086	APW3316	APW3536	APW15638	APW6488	APW6888	APW8088	APW4572	APW15650	
	APW211420	APW6418	APW50110	APW2040	APW8028	APW2638	APW7830	APW7912	APW5090	APW3320	APW3540	APW16038	APW6492	APW6892	APW8092	APW4578	APW16050	
	APW241424	APW6818	APW54110	APW2044		APW2640	APW8030	APW7916	APW5094	APW3324	APW3544	APW16438	APW6496	APW6896	APW8096	APW4584	APW16450	
	APW281428	APW7018	APW58110			APW2644	APW8034	APW7920	APW5098	APW3328	APW3548	APW16838	APW6500	APW6900	APW8100	APW4590	APW16850	
	APW321432	APW7418	APW60110			APW2648	APW8038	APW7924	APW5102	APW3332	APW3552	APW17238	APW6504	APW6904				



Andersen® Window and Patio Door Altitude Limits – Triple-Pane Glass (continued)

Product	3,000			4,000			5,000			6,000			7,000		8,000		9,000		10,000		
A-Series Fixed Transom Windows	ATF1410	ATF4414	ATF1816	ATF5018	ATF20110	ATF5020	ATF3222	ATF4424	ATF3426	ATF2674	ATF5028	ATF3038	ATF3058	ATF3464	ATF4080	ATF3870	ATF4444	ATF5480			
	ATF1810	ATF4814	ATF2016	ATF5418	ATF24110	ATF5420	ATF3422	ATF4824	ATF3826	ATF2678	ATF5428	ATF3040	ATF3060	ATF3468	ATF7840	ATF4040	ATF4448	ATF5854			
	ATF2010	ATF5014	ATF2416	ATF5818	ATF26110	ATF5820	ATF3822	ATF5024	ATF4026	ATF2680	ATF5828	ATF3044	ATF3064	ATF3474	ATF8040	ATF4044	ATF4450	ATF5858			
	ATF2410	ATF5414	ATF2616	ATF6018	ATF28110	ATF6020	ATF4022	ATF5424	ATF4426	ATF2828	ATF6028	ATF3048	ATF3068	ATF3484	ATF8404	ATF4048	ATF4454	ATF5860			
	ATF2610	ATF5814	ATF2816	ATF6418	ATF210110	ATF6420	ATF4422	ATF5824	ATF4826	ATF21028	ATF6428	ATF3050	ATF3070	ATF3488	ATF8408	ATF4050	ATF4458	ATF5864			
	ATF2810	ATF6014	ATF21016	ATF6818	ATF30110	ATF6820	ATF4822	ATF6024	ATF5026	ATF3028	ATF6828	ATF3054	ATF3074	ATF3494	ATF8414	ATF4054	ATF4460	ATF5868			
	ATF21010	ATF6414	ATF3016	ATF7018	ATF32110	ATF7020	ATF5022	ATF6424	ATF5426	ATF3228	ATF7028	ATF3230	ATF3080	ATF3498	ATF8418	ATF4058	ATF4464	ATF5870			
	ATF3010	ATF6814	ATF3216	ATF7418	ATF34110	ATF7420	ATF5422	ATF6824	ATF5826	ATF3428	ATF7428	ATF3430	ATF3084	ATF3504	ATF8424	ATF4060	ATF4468	ATF5874			
	ATF3210	ATF7014	ATF3416	ATF7818	ATF36110	ATF7820	ATF5822	ATF7024	ATF6026	ATF3828	ATF7828	ATF3830	ATF3088	ATF3508	ATF8428	ATF4064	ATF4474	ATF5878			
	ATF3410	ATF7414	ATF3616	ATF8018	ATF40110	ATF8020	ATF6022	ATF7424	ATF6426	ATF4028	ATF8028	ATF4030	ATF3092	ATF3512	ATF8434	ATF4068	ATF4478	ATF5884			
	ATF3810	ATF7814	ATF4016	ATF8418	ATF44110	ATF8420	ATF6422	ATF7824	ATF6826	ATF4428	ATF8428	ATF4430	ATF3096	ATF3516	ATF8438	ATF4070	ATF4484	ATF5888			
	ATF4010	ATF8014	ATF4416	ATF8818	ATF48110	ATF8820	ATF6822	ATF8024	ATF7026	ATF4828	ATF8828	ATF4830	ATF3100	ATF3520	ATF8444	ATF4074	ATF4488	ATF5894			
	ATF4410	ATF8414	ATF4816	ATF9018	ATF50110	ATF9020	ATF7022	ATF8424	ATF7426	ATF5028	ATF9028	ATF5030	ATF3104	ATF3524	ATF8448	ATF4078	ATF4494	ATF5898			
	ATF4810	ATF8814	ATF5016	ATF9418	ATF54110	ATF9420	ATF7422	ATF9024	ATF7826	ATF5428	ATF9428	ATF5430	ATF3108	ATF3528	ATF8454						
	ATF5010	ATF9014	ATF5416	ATF9818	ATF58110	ATF9820	ATF7822	ATF9424	ATF8026	ATF5828	ATF9828	ATF5830	ATF3112	ATF3532	ATF8458						
	ATF5410	ATF9414	ATF5816	ATF10018	ATF60110	ATF10020	ATF8022	ATF9824	ATF8426	ATF6028	ATF10028	ATF6030	ATF3116	ATF3536	ATF8464						
	ATF5810	ATF9814	ATF6016	ATF10418	ATF64110	ATF10420	ATF8424	ATF10024	ATF8826	ATF6428	ATF10428	ATF6430	ATF3120	ATF3540	ATF8468						
	ATF6010	ATF10014	ATF6416	ATF10818	ATF68110	ATF10820	ATF8822	ATF10424	ATF9026	ATF6828	ATF10828	ATF6830	ATF3124	ATF3544	ATF8474						
	ATF6410	ATF10414	ATF6816	ATF11018	ATF70110	ATF11020	ATF9024	ATF10424	ATF9426	ATF7028	ATF11028	ATF7030	ATF3128	ATF3548	ATF8478						
	ATF6810	ATF10814	ATF7016	ATF11418	ATF74110	ATF11420	ATF9424	ATF10824	ATF9826	ATF7428	ATF11428	ATF7430	ATF3132	ATF3552	ATF8484						
	ATF7010	ATF11014	ATF7416	ATF11818	ATF78110	ATF11820	ATF9824	ATF11024	ATF10026	ATF7828	ATF11828	ATF7830	ATF3136	ATF3556	ATF8488						
	ATF7410	ATF11414	ATF7816	ATF12018	ATF80110	ATF12020	ATF10024	ATF11424	ATF10426	ATF8028	ATF12028	ATF8030	ATF3140	ATF3560	ATF8494						
	ATF7810	ATF11814	ATF8016	ATF12418	ATF84110	ATF12420	ATF10424	ATF11824	ATF10826	ATF8428	ATF12428	ATF8430	ATF3144	ATF3564	ATF8498						
	ATF8010	ATF12014	ATF8416	ATF12618	ATF88110	ATF12620	ATF10824	ATF12024	ATF11026	ATF8828	ATF12628	ATF8830	ATF3148	ATF3568	ATF8504						
	ATF8410	ATF12414	ATF8816	ATF12818	ATF90110	ATF12820	ATF11024	ATF12424	ATF11426	ATF9028	ATF12828	ATF9030	ATF3152	ATF3572	ATF8510						
	ATF8810	ATF12614	ATF9016	ATF13018	ATF94110	ATF13020	ATF11424	ATF12624	ATF11826	ATF9428	ATF13028	ATF9430	ATF3156	ATF3576	ATF8516						
	ATF9010	ATF13014	ATF9416	ATF13218	ATF98110	ATF13220	ATF11824	ATF13024	ATF12026	ATF9828	ATF13228	ATF9830	ATF3160	ATF3580	ATF8522						
	ATF9410	ATF13214	ATF9816	ATF13418	ATF100110	ATF13420	ATF12024	ATF13224	ATF12426	ATF10028	ATF13428	ATF10030	ATF3164	ATF3584	ATF8528						
	ATF9810	ATF13414	ATF10016	ATF13618	ATF104110	ATF13620	ATF12424	ATF13424	ATF12626	ATF10428	ATF13628	ATF10430	ATF3168	ATF3588	ATF8534						
	ATF10010	ATF13614	ATF10416	ATF13818	ATF108110	ATF13820	ATF12624	ATF13624	ATF12826	ATF10828	ATF13828	ATF10830	ATF3172	ATF3592	ATF8540						
	ATF10410	ATF13814	ATF10816	ATF14018	ATF110110	ATF14020	ATF12824	ATF13824	ATF13026	ATF11028	ATF14028	ATF11030	ATF3176	ATF3596	ATF8546						
	ATF10810	ATF14014	ATF11016	ATF14218	ATF114110	ATF14220	ATF13024	ATF14024	ATF13226	ATF11428	ATF14228	ATF11430	ATF3180	ATF3600	ATF8552						
	ATF11010	ATF14214	ATF11416	ATF14418	ATF118110	ATF14420	ATF13224	ATF14224	ATF13426	ATF11828	ATF14428	ATF11830	ATF3184	ATF3604	ATF8558						
	ATF11410	ATF14414	ATF11816	ATF14618	ATF120110	ATF14620	ATF13424	ATF14424	ATF13626	ATF12028	ATF14628	ATF12030	ATF3188	ATF3608	ATF8564						
	ATF11810	ATF14614	ATF12016	ATF14818	ATF124110	ATF14820	ATF13624	ATF14624	ATF13826	ATF12428	ATF14828	ATF12430	ATF3192	ATF3612	ATF8570						
	ATF12010	ATF14814	ATF12416	ATF15018	ATF126110	ATF15020	ATF13824	ATF14824	ATF14026	ATF12628	ATF15028	ATF12630	ATF3196	ATF3616	ATF8576						
	ATF12410	ATF15014	ATF12616	ATF15218	ATF130110	ATF15220	ATF14024	ATF15024	ATF14226	ATF13028	ATF15228	ATF13030	ATF3200	ATF3620	ATF8582						
	ATF12610	ATF15214	ATF13016	ATF15418	ATF134110	ATF15420	ATF14224	ATF15224	ATF14426	ATF13428	ATF15428	ATF13430	ATF3204	ATF3624	ATF8588						
	ATF13010	ATF15414	ATF13416	ATF15618	ATF138110	ATF15620	ATF14424	ATF15424	ATF14626	ATF13828	ATF15628	ATF13830	ATF3208	ATF3628	ATF8594						
	ATF13410	ATF15614	ATF13816	ATF15818	ATF140110	ATF15820	ATF14624	ATF15624	ATF14826	ATF14028	ATF15828	ATF14030	ATF3212	ATF3632	ATF8600						
ATF13810	ATF15814	ATF14016	ATF16018	ATF144110	ATF16020	ATF14824	ATF15824	ATF15026	ATF14428	ATF16028	ATF14430	ATF3216	ATF3636	ATF8606							
ATF14010	ATF16014	ATF14416	ATF16218	ATF146110	ATF16220	ATF15024	ATF16024	ATF15226	ATF14628	ATF16228	ATF14630	ATF3220	ATF3640	ATF8612							
ATF14410	ATF16214	ATF14616	ATF16418	ATF150110	ATF16420	ATF15224	ATF16224	ATF15426	ATF15028	ATF16428	ATF15030	ATF3224	ATF3644	ATF8618							
ATF14610	ATF16414	ATF15016	ATF16618	ATF154110	ATF16620	ATF15424	ATF16424	ATF15626	ATF15428	ATF16628	ATF15430	ATF3228	ATF3648	ATF8624							
ATF15010	ATF16614	ATF15416	ATF16818	ATF158110	ATF16820	ATF15624	ATF16624	ATF15826	ATF15828	ATF16828	ATF15830	ATF3232	ATF3652	ATF8630							
ATF15410	ATF16814	ATF15816	ATF17018	ATF160110	ATF17020	ATF15824	ATF16824	ATF16026	ATF16028	ATF17028	ATF16030	ATF3236	ATF3656	ATF8636							
ATF15810	ATF17014	ATF16016	ATF17218	ATF164110	ATF17220	ATF16024	ATF17024	ATF16226	ATF16428	ATF17228	ATF16430	ATF3240	ATF3660	ATF8642							
ATF16010	ATF17214	ATF16416	ATF17418	ATF168110	ATF17420	ATF16224	ATF17224	ATF16426	ATF16828	ATF17428	ATF16830	ATF3244	ATF3664	ATF8648							
ATF16410	ATF17414	ATF16816	ATF17618	ATF170110	ATF17620	ATF16424	ATF17424	ATF16626	ATF17028	ATF17628	ATF17030	ATF3248	ATF3668	ATF8654							
ATF16810	ATF17614	ATF17016	ATF17818	ATF174110	ATF17820	ATF16624	ATF17624	ATF16826	ATF17428	ATF17828	ATF17430	ATF3252	ATF3672	ATF8660							
ATF17010	ATF17814	ATF17416	ATF18018	ATF178110	ATF18020	ATF16824	ATF17824	ATF17026	ATF17828	ATF18028	ATF17830	ATF3256	ATF3676	ATF8666							
ATF17410	ATF18014	ATF17816	ATF18218	ATF180110	ATF18220	ATF17024	ATF18024	ATF17226	ATF18028	ATF18228	ATF18030	ATF3260	ATF3680	ATF8672							
ATF17810	ATF18214	ATF18016	ATF18418	ATF184110	ATF18420	ATF17224	ATF18224	ATF17426	ATF18428	ATF18428	ATF18430	ATF3264	ATF3684	ATF8678							
ATF18010	ATF18414	ATF18416	ATF18618	ATF186110	ATF18620	ATF17424	ATF18424	ATF17626	ATF18628	ATF18628	ATF18630	ATF3268	ATF3688	ATF8684							
ATF18410	ATF18614	ATF18616	ATF18818	ATF188110	ATF18820	ATF17624	ATF18624	ATF17826	ATF18828	ATF18828	ATF18830	ATF3272	ATF3692	ATF8690							
ATF18610	ATF18814	ATF18816	ATF19018	ATF190110	ATF19020	ATF17824	ATF18824	ATF18026	ATF19028	ATF19028	ATF19030	ATF3276	ATF3696	ATF8696							
ATF19010	ATF19014	ATF19016	ATF19218	ATF192110	ATF19220	ATF18024	ATF19024	ATF18226	ATF19228	ATF19228	ATF19230	ATF3280	ATF3700	ATF8702							
ATF19210	ATF19214	ATF19216	ATF19418	ATF194110	ATF19																

PRODUCT PERFORMANCE

PERFORMANCE STANDARDS

The Window and Door Manufacturers Association (WDMA), the American Architectural Manufacturers Association (AAMA) and the Canadian Standards Association (CSA) jointly release the North American Fenestration Standard/Specification for Windows, Doors and Skylights (NAFS-11) where "-11" refers to the most recent publication year of 2011. NAFS is also referred to as AAMA/WDMA/CSA 101/I.S.2/A440, which is how the International Code Council (ICC) lists this standard in the 2012 and 2015 International Residential Code (IRC) and International Building Code (IBC) as the means to indicate the window, door or skylights design pressure rating used to determine compliance to the jobsite design pressure requirements.

A product only achieves a "Performance Grade" or "PG" rating when it complies with all of the NAFS performance requirements such as ease of operation, air infiltration resistance, resistance to water penetration and resistance to forced entry, etc. A "Design Pressure Rating" or "DP" rating only depicts the design and structural load performance.

Performance Classes

The NAFS Standard/Specification defines requirements for four performance classes. Performance classes are designated R, LC, CW and AW. This classification system provides for several levels of performance. Product selection is always based on the performance and building code requirements of the particular project.

Elements of Performance Grade (PG) Designations

In order to qualify for a given performance grade (PG), test specimens need to pass all required performance tests for the following, in addition to all required auxiliary (durability) and applicable material/component tests (not shown here) for the applicable product type and desired performance class:

- (a) Operating force (if applicable):** Maximum operating force varies by product type and performance class.
- (b) Air leakage resistance:** Tested in accordance with ASTM E283 at a test pressure of 1.57 psf. Allowable air infiltration for R, LC and CW class designations is 0.3 cubic feet per minute per square foot of frame (cfm/ft²).
- (c) Water penetration resistance:** Tested in accordance with ASTM E547 with the specified test pressure applied per NAFS-11. Test consists of four cycles. Each cycle consists of five minutes with pressure applied and one minute with the pressure released, during which the water spray is continuously applied. Water spray shall be uniformly applied at a constant rate of 5 U.S. gal/ft² · hr.
- (d) Uniform load deflection test:** Tested in accordance with ASTM E330 for both positive and negative pressure (pressure defined by NAFS-11) with the load maintained for a period of 10 seconds. The test specimen shall be evaluated for deflection during each load, for permanent damage after each load and for any effects on the normal operation of the specimen. *Starting with the 2008 version of NAFS, design pressure (DP) will only represent the "uniform load deflection test".*
- (e) Uniform load structural test:** Tested in accordance with ASTM E330 for both positive and negative pressure (pressure defined by NAFS-11) with the load maintained for a period of 10 seconds. After loads are removed, there shall be no permanent deformation in excess of 0.4% of its span and no damage to the unit, which would make it inoperable.
- (f) Forced-entry resistance (if applicable):** Tested in accordance with ASTM F588 (windows), F476 (swinging doors) and F842 (sliding doors) at a performance level 10 rating.


Performance Grades (PG) & Corresponding Test Pressures (psf)

Performance Class/Performance Grade		Air Infiltration Test Pressure		Maximum Allowable Air Infiltration/Exfiltration Rate		Water Penetration Resistance Test Pressure		Design Pressure		Structural Test Pressure	
R	LC	Pa	psf	L/s·m ²	cfm/ft ²	Pa	psf	Pa	psf	Pa	psf
15	-	75	1.57	1.5	0.30	140	2.92	720	15.04	1080	22.56
20	-	75	1.57	1.5	0.30	150	3.13	960	20.05	1440	30.08
25	25	75	1.57	1.5	0.30	180	3.76	1200	25.06	1800	37.59
30	30	75	1.57	1.5	0.30	220	4.59	1440	30.08	2160	45.11
35	35	75	1.57	1.5	0.30	260	5.43	1680	35.09	2520	52.63
40	40	75	1.57	1.5	0.30	290	6.06	1920	40.10	2880	60.15
45	45	75	1.57	1.5	0.30	330	6.89	2160	45.11	3240	67.67
50	50	75	1.57	1.5	0.30	360	7.52	2400	50.13	3600	75.19
55	55	75	1.57	1.5	0.30	400	8.35	2640	55.14	3960	82.71
60	60	75	1.57	1.5	0.30	440	9.19	2880	60.15	4320	90.23
65	65	75	1.57	1.5	0.30	470	9.82	3120	65.16	4680	97.74
70	70	75	1.57	1.5	0.30	510	10.65	3360	70.18	5040	105.26
75	75	75	1.57	1.5	0.30	540	11.28	3600	75.19	5400	112.78
80	80	75	1.57	1.5	0.30	580	12.11	3840	80.20	5760	120.30
85	85	75	1.57	1.5	0.30	580	12.11	4080	85.21	6120	127.82
90	90	75	1.57	1.5	0.30	580	12.11	4320	90.23	6480	135.34
95	95	75	1.57	1.5	0.30	580	12.11	4560	95.24	6840	142.86
100	100	75	1.57	1.5	0.30	580	12.11	4800	100.25	7200	150.38

HALLMARK CERTIFICATION

The Window and Door Manufacturers Association (WDMA) sponsored Hallmark Certification Program provides manufacturers with certification to the AAMA/WDMA/CSA 101/I.S.2/A440-11 Standard and is designed to provide builders, architects, specifiers and consumers with an easily recognizable means of identifying products that have been manufactured and tested in accordance with NAFS (AAMA/WDMA/CSA 101/I.S.2/A440) industry standards and other applicable performance standards. Conformance is determined by periodic in-plant inspections by a third-party administrator. Inspections include auditing licensee quality control procedures and processes and a review to confirm products are manufactured in accordance with the appropriate performance standards. Periodic testing of representative product constructions and components by an independent testing laboratory is also required. When all of the program requirements are met, the licensee is authorized to use the WDMA Hallmark registered logo on their Certification Label as a means of identifying products and their performance ratings.

Products successfully obtaining Hallmark Certification will be labeled with a 3-part code, which includes performance class, performance grade and size tested. In addition to this mandatory requirement, you are allowed to list the design pressure on a separate line.

	Andersen Corporation A-SERIES CASEMENT WINDOW Manufacturer stipulates certification as indicated below.					
	<table border="1"> <thead> <tr> <th>STANDARD</th> <th>RATING</th> </tr> </thead> <tbody> <tr> <td>AAMA/WDMA/CSA 101/I.S.2/A440-11</td> <td>CLASS LC⁽¹⁾ - PG50⁽²⁾ - SIZE TESTED 35.3 X 71.3 in.⁽³⁾ DP+50/-50⁽⁴⁾</td> </tr> <tr> <td>AAMA/WDMA/CSA 101/I.S.2/A440-08</td> <td>CLASS LC⁽¹⁾ - PG50⁽²⁾ - SIZE TESTED 35.3 X 71.3 in.⁽³⁾ DP+50/-50⁽⁴⁾</td> </tr> </tbody> </table>	STANDARD	RATING	AAMA/WDMA/CSA 101/I.S.2/A440-11	CLASS LC ⁽¹⁾ - PG50 ⁽²⁾ - SIZE TESTED 35.3 X 71.3 in. ⁽³⁾ DP+50/-50 ⁽⁴⁾	AAMA/WDMA/CSA 101/I.S.2/A440-08
STANDARD	RATING					
AAMA/WDMA/CSA 101/I.S.2/A440-11	CLASS LC ⁽¹⁾ - PG50 ⁽²⁾ - SIZE TESTED 35.3 X 71.3 in. ⁽³⁾ DP+50/-50 ⁽⁴⁾					
AAMA/WDMA/CSA 101/I.S.2/A440-08	CLASS LC ⁽¹⁾ - PG50 ⁽²⁾ - SIZE TESTED 35.3 X 71.3 in. ⁽³⁾ DP+50/-50 ⁽⁴⁾					

- (1) - Performance Class
- (2) - Performance Grade
- (3) - Size Tested
- (4) - Design Pressure

In the example above, the performance class is LC, the performance grade (PG) is 50 pounds per square foot (psf) and the size tested is 35.3" x 71.3". What this means to the specifier is, based on the performance grade chart, the laboratory tested air infiltration was less than 0.3 cfm/ft² (test pressure is always 1.57 psf and the allowable airflow is 0.3 cfm/ft²), the product tested successfully resisted a laboratory water penetration test at a test pressure of 7.5 psf, the product tested successfully withstood a laboratory positive test pressure of 75 psf, a laboratory negative test pressure of 75 psf and the product tested passed the laboratory requirements for operational force and forced entry resistance. Based on this test, all products smaller in both width and height can be labeled with this product performance rating.

IMPORTANT

Building codes prescribe design pressure based on a variety of criteria (i.e. windspeed zone, building height, building type, jobsite exposure, etc.). Design pressures derived from Performance Grade (PG) test requirements should be used to determine compliance to building code required design pressures. Structural test pressures, which are tested at 1.5 times the design pressure, should **not** be used for determining design pressure code compliance. In the example above, a PG 50 performance grade rating, which passes a 50 psf design pressure, should be used for determining code compliance, not the structural test pressure of 75 psf.

If you need further details about how Andersen® products perform to this standard, contact your Andersen supplier.

If you need further information about the AAMA/WDMA/CSA 101/I.S.2/A440-11 standard or the Hallmark Certification Program please contact: WDMA, 330 N. Wabash Avenue Suite 2000, Chicago, IL 60611 Phone: 312-321-6802 Web: wdma.com

Where designated, Andersen products are tested, certified and labeled to the requirements of the Hallmark Certification Program. Actual performance may vary based on variations in manufacturing, shipping, installation, environmental conditions and conditions of use.

Performance Grade, Air Infiltration and Sound Transmission Ratings – A-Series Windows and Patio Doors

For current performance information, please visit andersenwindows.com.

Andersen® Product	Glass Construction	AAMA/WDMA/CSA 101/IS2/A440 Performance Grade (PG)	+/- Corresponding Design Pressure (DP)	Standard Glass Sound Transmission Class (STC)	Standard Glass Outdoor/Indoor Transmission Class (OITC)	Air Infiltration CFM/FT ²
Casement Windows	Dual-Pane	Class LC-PG50 Size Tested 35" x 71"	50/50	27	23	< 0.2
	Triple-Pane		50/50	30	25	< 0.2
Awning Windows	Dual-Pane	Class LC-PG50 Size Tested 71" x 35"	50/50	28	22	< 0.2
	Triple-Pane		50/50	29	23	< 0.2
Double-Hung Windows	Dual-Pane	Class LC-PG50 Size Tested 47" x 95"	50/50	27	22	< 0.2
	Triple-Pane		50/50	28	23	< 0.2
Picture Windows	Dual-Pane	Class LC-PG50 Size Tested 71" x 95"	50/50	27	22	< 0.2
	Triple-Pane		50/50	30	25	< 0.2
Stationary Transom Windows	Dual-Pane	Class LC-PG50 Size Tested 71" x 39"	50/50	27	22	< 0.2
	Triple-Pane		50/50	31	24	< 0.2
Fixed Transom Windows	Dual-Pane	Class LC-PG50 Size Tested 71" x 35"	50/50	28	22	< 0.2
	Triple-Pane		50/50	28	23	< 0.2
Direct-Set Specialty Windows						
Rectangular	Dual-Pane	Class LC-PG50 Size Tested 125" x 84"	50/50	28	24	< 0.2
Arch	Dual-Pane	Class LC-PG50 Size Tested 125" x 84"	50/50	28	24	< 0.2
Springline™	Dual-Pane	Class LC-PG50 Size Tested 125" x 84"	50/50	28	24	< 0.2
Sash-Set Specialty Windows						
Rectangular	Dual-Pane	Class LC-PG50 Size Tested 125" x 75"	50/50	29	24	< 0.2
Springline™	Dual-Pane	Class LC-PG50 Size Tested 125" x 75"	50/50	29	24	< 0.2
Arch	Dual-Pane	Class LC-PG50 Size Tested 125" x 75"	50/50	29	24	< 0.2
Complementary Casement Windows						
Casement (venting)	Dual-Pane	Class LC-PG50 Size Tested 35" x 84"	50/50	†	†	< 0.2
Casement (stationary)	Dual-Pane	Class LC-PG60 Size Tested 120" x 78"	60/60	†	†	< 0.2
French Casement (venting)	Dual-Pane	Class LC-PG30 Size Tested 56" x 72"	30/30	†	†	< 0.2
Frenchwood® Gliding Patio Door						
Single Stationary (611, 80, 100)	Dual-Pane	Class LC-PG45 Size Tested 50" x 119"	45/45	30	25	< 0.2
Single Stationary (611, 80)	Triple-Pane	Class LC-PG45 Size Tested 50" x 95"	45/45	32	28	< 0.3
Single Stationary, PG Upgrade (611, 80)	Dual-Pane	Class LC-PG65 Size Tested 50" x 95"	65/80	30	25	< 0.2
Single Stationary, PG Upgrade (100)	Dual-Pane	Class LC-PG55 Size Tested 50" x 119"	55/55	30	25	< 0.2
Two-Panel (611, 80)	Dual-Pane	Class LC-PG50 Size Tested 95" x 95"	50/50	30	25	< 0.2
	Triple-Pane		50/50	29	25	< 0.2
Two-Panel (100)	Dual-Pane	Class LC-PG45 Size Tested 95" x 119"	45/45	29	25	< 0.2
Two-Panel, PG Upgrade (611)	Dual-Pane	Class LC-PG70 Size Tested 95" x 82"	70/80	†	†	< 0.2
Two-Panel, PG Upgrade (80, 100)	Dual-Pane	Class LC-PG55 Size Tested 95" x 119"	55/55	†	†	< 0.2
Three-Panel (611)	Dual-Pane	Class LC-PG50 Size Tested 141" x 82"	50/50	†	†	< 0.2
Three-Panel, PG Upgrade (611)	Dual-Pane	Class LC-PG65 Size Tested 141" x 82"	65/70	†	†	< 0.2
Three-Panel (80, 100)	Dual-Pane	Class LC-PG40 Size Tested 141" x 119"	40/40	†	†	< 0.2
Three-Panel, PG Upgrade (80, 100)	Dual-Pane	Class LC-PG50 Size Tested 141" x 119"	50/50	†	†	< 0.2
Three-Panel, PG Upgrade (80)	Dual-Pane	Class LC-PG50 Size Tested 141" x 199"	50/50	†	†	< 0.2
Four-Panel (611)	Dual-Pane	Class LC-PG50 Size Tested 189" x 82"	50/50	†	†	< 0.2
Four-Panel, PG Upgrade (611)	Dual-Pane	Class LC-PG65 Size Tested 189" x 82"	65/70	†	†	< 0.2
Four-Panel (80, 100)	Dual-Pane	Class LC-PG40 Size Tested 189" x 119"	40/40	†	†	< 0.2
Four-Panel, PG Upgrade (80, 100)	Dual-Pane	Class LC-PG50 Size Tested 189" x 119"	50/50	†	†	< 0.2
Frenchwood® Hinged Inswing Patio Door						
Single Stationary (611, 80, 100)	Dual-Pane	Class LC-PG45 Size Tested 38" x 119"	45/55	30	26	< 0.2
Single Stationary, PG Upgrade (611)	Dual-Pane	Class LC-PG65 Size Tested 38" x 82"	65/80	30	26	< 0.2
Single Stationary, PG Upgrade (80, 100)	Dual-Pane	Class LC-PG65 Size Tested 38" x 119"	65/70	30	26	< 0.2

- "Performance Grade (PG)" ratings may vary from tested performance rating for larger or smaller units of a particular type.
- "Sound Transmission Class (STC)" & "Outdoor/Indoor Transmission Class (OITC)" ratings are for individual units based on independent tests and represent entire unit.
- This data is accurate as of January 2018. Due to ongoing product changes, updated test results or new industry standards, this data may change over time.
- Where designated, Andersen products are certified and labeled to the requirements of the Hallmark Certification Program. Actual performance may vary based on variations in manufacturing, shipping, installation, environmental conditions and conditions of use.
- Contact your Andersen supplier for more information.

†Data not available.

continued on next page

PRODUCT PERFORMANCE

Performance Grade, Air Infiltration and Sound Transmission Ratings – A-Series Windows and Patio Doors *(continued)*

For current performance information, please visit andersenwindows.com.

Andersen® Product	Glass Construction	AAMA/WDMA/CSA 101/IS2/A440 Performance Grade (PG)	+/- Corresponding Design Pressure (DP)	Standard Glass Sound Transmission Class (STC)	Standard Glass Outdoor/Indoor Transmission Class (OITC)	Air Infiltration CFM/FT ²
Frenchwood® Hinged Inswing Patio Door <i>(continued)</i>						
Single Active (611, 80, 100)	Dual-Pane	Class LC-PG45 Size Tested 38" x 119"	45/55	30	26	< 0.2
Single Active (611, 80)	Triple-Pane	Class LC-PG45 Size Tested 38" x 95"	45/55	31	25	< 0.2
Single Active, PG Upgrade (611)	Dual-Pane	Class LC-PG65 Size Tested 38" x 82"	65/80	†	†	< 0.2
Single Active, PG Upgrade (80, 100)	Dual-Pane	Class LC-PG65 Size Tested 38" x 119"	65/70	†	†	< 0.2
Two-Panel AP/PA (611, 80, 100)	Dual-Pane	Class LC-PG45 Size Tested 75" x 119"	45/55	30	25	< 0.2
Two-Panel AP/PA (611, 80)	Triple-Pane	Class LC-PG45 Size Tested 75" x 95"	45/45	31	26	< 0.2
Two-Panel AP/PA, PG Upgrade (611)	Dual-Pane	Class LC-PG65 Size Tested 75" x 82"	65/80	†	†	< 0.2
Two-Panel AP/PA, PG Upgrade (80)	Dual-Pane	Class LC-PG65 Size Tested 75" x 95"	65/70	†	†	< 0.2
Two-Panel AP/PA, PG Upgrade (100)	Dual-Pane	Class LC-PG50 Size Tested 75" x 119"	50/65	†	†	< 0.2
Two-Panel AS/SA/SS (611, 80)	Dual-Pane	Class LC-PG45 Size Tested 71" x 95"	45/55	30	25	< 0.2
Two-Panel AS/SA/SS, PG Upgrade (611)	Dual-Pane	Class LC-PG65 Size Tested 75" x 82"	65/80	30	25	< 0.2
Two-Panel AS/SA/SS, PG Upgrade (80)	Dual-Pane	Class LC-PG65 Size Tested 75" x 95"	65/70	30	25	< 0.2
Three-Panel (611, 80)	Dual-Pane	Class LC-PG45 Size Tested 106" x 95"	45/55	†	†	< 0.2
Frenchwood® Hinged Outswing Patio Door						
Single Stationary (611, 80, 100)	Dual-Pane	Class LC-PG45 Size Tested 38" x 119"	45/55	†	†	< 0.2
Single Stationary, PG Upgrade (611, 80)	Dual-Pane	Class LC-PG65 Size Tested 38" x 95"	65/80	†	†	< 0.2
Single Stationary, PG Upgrade (100)	Dual-Pane	Class LC-PG65 Size Tested 38" x 119"	65/70	†	†	< 0.2
Single Active (611, 80, 100)	Dual-Pane	Class LC-PG45 Size Tested 38" x 119"	45/55	30	25	< 0.2
Single Active (611, 80)	Triple-Pane	Class LC-PG45 Size Tested 38" x 95"	45/55	31	25	< 0.2
Single Active, PG Upgrade (611)	Dual-Pane	Class LC-PG65 Size Tested 38" x 82"	65/80	30	25	< 0.2
Single Active, PG Upgrade (80, 100)	Dual-Pane	Class LC-PG65 Size Tested 38" x 119"	65/70	30	25	< 0.2
Two-Panel (611, 80, 100)	Dual-Pane	Class LC-PG45 Size Tested 75" x 119"	45/45	31	25	< 0.2
Two-Panel (611, 80)	Triple-Pane	Class LC-PG45 Size Tested 75" x 95"	45/45	31	25	< 0.2
Two Panel, PG Upgrade (611)	Dual-Pane	Class LC-PG65 Size Tested 75" x 82"	65/80	31	25	< 0.2
Two Panel, PG Upgrade (80)	Dual-Pane	Class LC-PG65 Size Tested 75" x 95"	65/70	31	25	< 0.2
Two Panel, PG Upgrade (100)	Dual-Pane	Class LC-PG55 Size Tested 75" x 119"	55/55	31	25	< 0.2
Frenchwood® Patio Door Transoms & Sidelights and Venting Transom Windows						
Transom	Dual-Pane	Class LC-PG70 Size Tested 112" x 27"	70/80	†	†	< 0.2
Sidelight Transom	Dual-Pane	Class LC-PG70 Size Tested 18" x 27"	70/70	†	†	< 0.2
Sidelight Transom, PG Upgrade	Dual-Pane	Class LC-PG70 Size Tested 18" x 27"	70/80	†	†	< 0.2
Sidelight (611, 80)	Dual-Pane	Class LC-PG45 Size Tested 18" x 95"	45/55	†	†	< 0.2
Sidelight (100)	Dual-Pane	Class LC-PG45 Size Tested 18" x 119"	45/70	†	†	< 0.2
Sidelight, PG Upgrade (611, 80)	Dual-Pane	Class LC-PG65 Size Tested 18" x 95"	65/80	†	†	< 0.2
Sidelight, PG Upgrade (100)	Dual-Pane	Class LC-PG70 Size Tested 18" x 119"	70/80	†	†	< 0.2
Venting Transom	Dual-Pane	Class LC-PG50 Size Tested 71" x 35"	50/50	†	†	< 0.2
Complementary Springline™ & Arch Inswing Patio Doors						
Single Stationary	Dual-Pane	Class LC-PG45 Size Tested 37" x 95"	45/45	30	25	< 0.2
Single Active**	Dual-Pane	Class LC-PG45 Size Tested 37" x 95"	45/45	30	25	< 0.2
Two-Panel Stationary	Dual-Pane	Class LC-PG45 Size Tested 75" x 95"	45/45	30	25	< 0.2
Two-Panel Active**	Dual-Pane	Class LC-PG45 Size Tested 75" x 95"	45/45	30	25	< 0.2
Complementary Springline™ & Arch Outswing Patio Doors						
Single Stationary	Dual-Pane	Class LC-PG45 Size Tested 37" x 95"	45/45	31	25	< 0.2
Single Active**	Dual-Pane	Class LC-PG45 Size Tested 37" x 95"	45/45	31	25	< 0.2
Two-Panel Stationary	Dual-Pane	Class LC-PG45 Size Tested 75" x 95"	45/45	31	25	< 0.2
Two-Panel Active**	Dual-Pane	Class LC-PG45 Size Tested 75" x 95"	45/45	31	25	< 0.2

* Performance Grade (PG) ratings may vary from tested performance rating for larger or smaller units of a particular type.

** Sound Transmission Class (STC) & "Outdoor/Indoor Transmission Class (OITC)" ratings are for individual units based on independent tests and represent entire unit.

† This data is accurate as of January 2018. Due to ongoing product changes, updated test results or new industry standards, this data may change over time.

• Where designated, Andersen products are certified and labeled to the requirements of the Hallmark Certification Program. Actual performance may vary based on variations in manufacturing, shipping, installation, environmental conditions and conditions of use.

• Contact your Andersen supplier for more information.

†Data not available.

Performance Grade, Air Infiltration and Sound Transmission Ratings – Folding Doors & Residential Entranceways

For current performance information, please visit andersenwindows.com.

Andersen® Product	AAMA/WDMA/CSA 101/IS2/A440 Performance Grade (PG)	+/- Corresponding Design Pressure (DP)	Sound Transmission Class (STC)	Outdoor/Indoor Transmission Class (OITC)	Air Infiltration CFM/FT ²
Folding Outswing Doors (up to 288" frame width)					
1L3R**	Class SP-PG30 Size Tested 159.8" x 95.5"**	40/45	30	24	< 0.2
2L2R	Class SP-PG30 Size Tested 159.0" x 95.5"**	40/45	30	24	< 0.2
1L3R**	Class SP-PG30 Size Tested 159.8" x 119.5**	30/30	30	24	< 0.2
2L2R	Class SP-PG30 Size Tested 159.0" x 119.5**	30/30	30	24	< 0.2
Residential Springline™ Inswing Entry Door††					
Single Stationary	Class LC-PG30 Size Tested 86" x 95"	30/35	30	25	< 0.2
Single Active**	Class LC-PG30 Size Tested 86" x 95"	30/35	30	25	< 0.2
Two-Panel Stationary	Class LC-PG30 Size Tested 86" x 95"	30/35	30	25	< 0.2
Two-Panel Active**	Class LC-PG30 Size Tested 86" x 95"	30/35	30	25	< 0.2
Residential Springline™ Outswing Entry Door††					
Single Stationary	Class LC-PG30 Size Tested 86" x 95"	30/35	31	25	< 0.2
Single Active**	Class LC-PG30 Size Tested 86" x 95"	30/35	31	25	< 0.2
Two-Panel Stationary	Class LC-PG30 Size Tested 86" x 95"	30/35	31	25	< 0.2
Two-Panel Active**	Class LC-PG30 Size Tested 86" x 95"	30/35	31	25	< 0.2
Residential Arch Inswing Entry Doors††					
Single Stationary	Class LC-PG30 Size Tested 86" x 95"	30/35	30	25	< 0.2
Single Active**	Class LC-PG30 Size Tested 86" x 95"	30/35	30	25	< 0.2
Two-Panel Stationary	Class LC-PG30 Size Tested 86" x 95"	30/35	30	25	< 0.2
Two-Panel Active**	Class LC-PG30 Size Tested 86" x 95"	30/35	30	25	< 0.2
Residential Arch Outswing Entry Doors††					
Single Stationary	Class LC-PG30 Size Tested 86" x 95"	30/35	31	25	< 0.2
Single Active**	Class LC-PG30 Size Tested 86" x 95"	30/35	31	25	< 0.2
Two-Panel Stationary	Class LC-PG30 Size Tested 86" x 95"	30/35	31	25	< 0.2
Two-Panel Active**	Class LC-PG30 Size Tested 86" x 95"	30/35	31	25	< 0.2
Residential Rectangular Inswing Entry Door††					
Single Stationary	Class LC-PG30 Size Tested 86" x 95"	30/35	30	25	< 0.2
Single Active**	Class LC-PG30 Size Tested 86" x 95"	30/35	30	25	< 0.2
Single Active (latch & deadbolt)	Class LC-PG25 Size Tested 74" x 95"	25/25	30	25	< 0.2
Two-Panel Stationary	Class LC-PG30 Size Tested 86" x 95"	30/35	30	25	< 0.2
Two-Panel Active**	Class LC-PG30 Size Tested 86" x 95"	30/35	30	25	< 0.2
Two-Panel Active (latch & deadbolt)	Class LC-PG25 Size Tested 74" x 95"	25/25	30	25	< 0.2
Residential Rectangular Outswing Entry Door††					
Single Stationary	Class LC-PG30 Size Tested 86" x 95"	30/35	31	25	< 0.2
Single Active**	Class LC-PG30 Size Tested 86" x 95"	30/35	31	25	< 0.2
Single Active (latch & deadbolt)	Class LC-PG25 Size Tested 74" x 95"	25/25	31	25	< 0.2
Two-Panel Stationary	Class LC-PG30 Size Tested 86" x 95"	30/35	31	25	< 0.2
Two-Panel Active**	Class LC-PG30 Size Tested 86" x 95"	30/35	31	25	< 0.2
Two-Panel Active (latch & deadbolt)	Class LC-PG25 Size Tested 74" x 95"	25/25	31	25	< 0.2
Residential Inswing Entry Door Sidelights	Class LC-PG35 Size Tested 28" x 95"	30/35	†	†	< 0.2
Residential Outswing Entry Doors Sidelights	Class LC-PG35 Size Tested 28" x 95"	30/35	†	†	< 0.2

• This data is accurate as of January 2018. Due to ongoing product changes, updated test results or new industry standards, this data may change over time.

*Actual door size tested; certification maximum door size 288" x 119 1/2".

**Tested with standard multi-point hardware.

†Data not available.

††Sound Transmission Class (STC) and Outdoor/Indoor Transmission Class (OITC) for full light panel style.

PRODUCT PERFORMANCE

Performance Grade, Air Infiltration and Sound Transmission Ratings – Commercial Entranceways

For current performance information, please visit andersenwindows.com.

Andersen® Product	ASTM E330-02	Structural Rating (DP)	Sound Transmission Class (STC)	Outdoor/Indoor Transmission Class (OITC)	Air Infiltration CFM/FT ²
Commercial Rectangular Outswing Entry Door††					
Single Stationary	+/- 35 Size Tested 45" x 95"	DP35	27	24	< 0.2
Two-Panel Stationary	+/- 35 Size Tested 74" x 95"	DP35	27	22	< 0.2
Commercial Outswing Entry Door Sidelights††					
	+/- 35 Size Tested 45" x 95"	DP35	27	24	< 0.2
Commercial Rectangular Outswing Entry Door††					
Single Active (latch & deadbolt)	+/- 35 Size Tested 45" x 95"	DP35	27	24	†
Two-Panel Active (latch & deadbolt)	+/- 35 Size Tested 74" x 95"	DP35	27	22	†
Two-Panel Active (panic hardware)	+/- 35 Size Tested 74" x 95"	DP35	27	22	†

- "Performance Grade (PG)" ratings may vary from tested performance rating for larger or smaller units of a particular type.
- "Sound Transmission Class (STC)" & "Outdoor/Indoor Transmission Class (OITC)" ratings are for individual units based on independent tests and represent entire unit.
- This data is accurate as of January 2018. Due to ongoing product changes, updated test results or new industry standards, this data may change over time.
- Where designated, Andersen products are certified and labeled to the requirements of the Hallmark Certification Program. Actual performance may vary based on variations in manufacturing, shipping, installation, environmental conditions and conditions of use.
- Contact your Andersen supplier for more information.

†Data not available.

††Sound Transmission Class (STC) and Outdoor/Indoor Transmission Class (OITC) for full light panel style.

Center of Glass Performance Data for products with High-Performance Low-E4® Dual-Pane Glass

For current performance information, please visit andersenwindows.com.

DUAL-PANE	Andersen® Product	VT ¹	SC ²	SHGC ³	RHG ⁴	Fading		%RH @ center ⁷	IGST ⁸
						Tuv ⁵	Tdw ⁶		
A-Series Windows and Patio Doors									
	Casement, Awning, Double-Hung, Picture, Fixed Transom, Venting Transom, Specialty	72%	0.48	0.41	98.2	16%	33%	61%	56°F
	Frenchwood® Gliding, Hinged Inswing & Outswing Patio Doors, Patio Door Sidelight & Transom, Venting Transom	71%	0.47	0.41	97.5	16%	33%	61%	56°F
	Folding Doors, Entranceways & A-Series Complementary Curved Top Patio Doors	65%	0.31	0.27	207	5%	21%	61%	56°F

Center of Glass Performance Data for products with High-Performance Low-E4® Sun Dual-Pane Glass

For current performance information, please visit andersenwindows.com.

DUAL-PANE	Andersen Product	VT ¹	SC ²	SHGC ³	RHG ⁴	Fading		%RH @ center ⁷	IGST ⁸
						Tuv ⁵	Tdw ⁶		
A-Series Windows and Patio Doors									
	Casement, Awning, Double-Hung, Picture, Fixed Transom, Venting Transom, Specialty	40%	0.29	0.25	61.1	16%	24%	60%	55° F
	Frenchwood® Gliding, Hinged Inswing & Outswing Patio Doors, Patio Door Sidelight & Transom, Venting Transom	39%	0.29	0.25	60.6	15%	23%	61%	56° F
	Folding Doors, Entranceways & A-Series Complementary Curved Top Patio Doors	72%	0.48	0.41	310	16%	33%	61%	56°F

Center of Glass Performance Data for products with High-Performance Low-E4® SmartSun™ Dual-Pane Glass

For current performance information, please visit andersenwindows.com.

DUAL-PANE	Andersen Product	VT ¹	SC ²	SHGC ³	RHG ⁴	Fading		%RH @ center ⁷	IGST ⁸
						Tuv ⁵	Tdw ⁶		
A-Series Windows and Patio Doors									
	Casement, Awning, Double-Hung, Picture, Fixed Transom, Venting Transom, Specialty	65%	0.31	0.27	65.6	5%	21%	62%	56° F
	Frenchwood® Gliding, Hinged Inswing & Outswing Patio Doors, Patio Door Sidelight & Transom, Venting Transom	64%	0.32	0.27	66.3	5%	21%	62%	56° F
	Folding Doors, Entranceways & A-Series Complementary Curved Top Patio Doors	40%	0.29	0.25	193	16%	24%	59%	55°F

- "Low-E4™", "Low-E4® SmartSun™" and "Low-E4® Sun" are Andersen trademarks for "Low-E" glass.
- Based on NFRC testing/simulation conditions using Windows v7.3.4.0 and NFRC validated spectral data. 0°F outside temperature, 70°F inside temperature and a 15 mph wind.
- 1) Visible Transmittance (VT) measures how much light comes through the glass. The higher the value, from 0 to 1, the more daylight the glass lets in. Visible Transmittance is measured over the 380 to 760 nanometer portion of the solar spectrum. 2) Shading Coefficient defines the amount of heat gain through the glass compared to a single lite of clear 1/8" (3 mm) glass. 3) Solar Heat Gain Coefficient (SHGC) defines the fraction of solar radiation admitted through the glass both directly transmitted and absorbed and subsequently released inward. The lower the value, the less heat is transmitted through the glass. 4) Relative Heat Gain is the amount of heat gain through a glazing incorporating U-Factor and Solar Heat Gain Coefficient. 5) Transmission Ultra-Violet Energy (TUV). The transmission of short-wave energy in the 300-380 nanometer portion of the solar spectrum. The energy can cause fabric fading. 6) Transmission Damage Function (TDW). The transmission of UV and visible light energy in the 300-600 nanometer portion of the solar spectrum. The value includes both the UV and visible light energy that can cause fabric fading. This rating has also been referred to as the Krochmann Damage Function. This rating better predicts fading potential than UV transmission alone. The lower the Damage Function rating, the less transmission of short-wave energy through the glass that can potentially cause fabric fading. Fabric type is also a key component of fading potential. 7) Percent relative humidity before condensation occurs at the center of glass, taken using center of glass temperature. 8) Inside glass surface temperatures are taken at the center of glass.
- This data is accurate as of January 2018. Due to ongoing product changes, updated test results or new industry standards, this data may change over time. Contact your Andersen supplier for current performance information or upgrade options.
- Contact your Andersen supplier or visit andersenwindows.com/nfrc for center of glass performance data on windows with laminated glass, patterned glass, tempered glass and products ordered with capillary breather tubes.

Center of Glass Performance Data for products with High-Performance **Low-E4**® Triple-Pane Glass

For current performance information, please visit andersenwindows.com.

Andersen® Product	VT ¹	SC ²	SHGC ³	RHG ⁴	Fading		%RH @ center ⁷	IGST ⁸
					Tuv ⁵	Tdw ⁶		
A-Series Windows and Patio Doors								
Low-E4								
Casement, Awning, Double-Hung, Picture, Fixed Transom, Venting Transom, Specialty	66%	0.44	0.38	91.6	14%	30%	64%	57° F
Frenchwood® Gliding, Hinged Inswing & Outswing Patio Doors, Patio Door Sidelight & Transom, Venting Transom	66%	0.44	0.38	91.6	14%	30%	64%	57° F
Low-E4 Enhanced								
Casement, Awning, Double-Hung, Picture, Fixed Transom, Venting Transom, Specialty	63%	0.43	0.37	88.6	8%	24%	71%	60° F
Frenchwood® Gliding, Hinged Inswing & Outswing Patio Doors, Patio Door Sidelight & Transom, Venting Transom	63%	0.43	0.37	88.6	8%	24%	71%	60° F
Low-E4 Enhanced with HeatLock® Technology								
Casement, Awning, Double-Hung, Picture, Fixed Transom, Venting Transom, Specialty	62%	0.41	0.36	84.3	8%	23%	54%	52° F
Frenchwood® Gliding, Hinged Inswing & Outswing Patio Doors, Patio Door Sidelight & Transom, Venting Transom	63%	0.43	0.37	88.6	8%	24%	71%	60° F

Center of Glass Performance Data for products with High-Performance **Low-E4**® SmartSun™ Triple-Pane Glass

For current performance information, please visit andersenwindows.com.

Andersen® Product	VT ¹	SC ²	SHGC ³	RHG ⁴	Fading		%RH @ center ⁷	IGST ⁸
					Tuv ⁵	Tdw ⁶		
A-Series Windows and Patio Doors								
Low-E4								
Casement, Awning, Double-Hung, Picture, Fixed Transom, Venting Transom, Specialty	59%	0.29	0.26	62.0	4%	19%	65%	57° F
Frenchwood® Gliding, Hinged Inswing & Outswing Patio Doors, Patio Door Sidelight & Transom, Venting Transom	59%	0.29	0.26	62.0	4%	19%	65%	57° F
Low-E4 Enhanced								
Casement, Awning, Double-Hung, Picture, Fixed Transom, Venting Transom, Specialty	57%	0.29	0.25	59.6	2%	16%	71%	60° F
Frenchwood® Gliding, Hinged Inswing & Outswing Patio Doors, Patio Door Sidelight & Transom, Venting Transom	57%	0.29	0.25	59.6	2%	16%	71%	60° F
Low-E4 Enhanced with HeatLock® Technology								
Casement, Awning, Double-Hung, Picture, Fixed Transom, Venting Transom, Specialty	56%	0.27	0.24	56.9	2%	16%	54%	53° F
Frenchwood® Gliding, Hinged Inswing & Outswing Patio Doors, Patio Door Sidelight & Transom, Venting Transom	56%	0.27	0.24	56.9	2%	16%	54%	53° F

- "Low-E4" and "Low-E4" SmartSun™ are Andersen trademarks for "Low-E" glass.
- Based on NFRC testing/simulation conditions using Windows v7.3.4.0 and NFRC validated spectral data. 0°F outside temperature, 70°F inside temperature and a 15 mph wind.
- 1) Visible Transmittance (VT) measures how much light comes through the glass. The higher the value, from 0 to 1, the more daylight the glass lets in. Visible Transmittance is measured over the 380 to 760 nanometer portion of the solar spectrum. 2) Shading Coefficient defines the amount of heat gain through the glass compared to a single lite of clear 1/8" (3 mm) glass. 3) Solar Heat Gain Coefficient (SHGC) defines the fraction of solar radiation admitted through the glass both directly transmitted and absorbed and subsequently released inward. The lower the value, the less heat is transmitted through the glass. 4) Relative Heat Gain is the amount of heat gain through a glazing incorporating U-Factor and Solar Heat Gain Coefficient. 5) Transmission Ultra-Violet Energy (TUV). The transmission of short-wave energy in the 300-380 nanometer portion of the solar spectrum. The energy can cause fabric fading. 6) Transmission Damage Function (TDW). The transmission of UV and visible light energy in the 300-600 nanometer portion of the solar spectrum. The value includes both the UV and visible light energy that can cause fabric fading. This rating has also been referred to as the Krochmann Damage Function. This rating better predicts fading potential than UV transmission alone. The lower the Damage Function rating, the less transmission of short-wave energy through the glass that can potentially cause fabric fading. Fabric type is also a key component of fading potential. 7) Percent relative humidity before condensation occurs at the center of glass, taken using center of glass temperature. 8) Inside glass surface temperatures are taken at the center of glass.
- This data is accurate as of January 2018. Due to ongoing product changes, updated test results or new industry standards, this data may change over time. Contact your Andersen supplier for current performance information or upgrade options.
- Contact your Andersen supplier or visit andersenwindows.com/nfrc for center of glass performance data on windows with laminated glass, patterned glass, tempered glass and products ordered with capillary breather tubes.

PRODUCT PERFORMANCE

Andersen® NFRC Certified Total Unit Performance – Dual-Pane Glass

For current performance information, please visit andersenwindows.com.

Andersen® Product	High-Performance Dual-Pane Glass Type	U-Factor ¹	SHGC ²	VT ³	
A-Series Casement AND-N-86	Low-E4*	Without Grilles	0.27	0.26	0.45
		Simulated Divided Light Grilles	0.27	0.24	0.40
		Finelight™ Grilles	0.27	0.24	0.40
		Full Divided Light Grilles	0.28	0.24	0.40
	Low-E4* w/HeatLock®	Without Grilles	0.24	0.25	0.44
		Simulated Divided Light Grilles	0.24	0.23	0.39
		Finelight™ Grilles	0.24	0.23	0.39
		Full Divided Light Grilles	0.26	0.23	0.39
	Low-E4* Sun	Without Grilles	0.28	0.16	0.24
		Simulated Divided Light Grilles	0.28	0.15	0.22
		Finelight™ Grilles	0.28	0.15	0.22
		Full Divided Light Grilles	0.29	0.15	0.22
	Low-E4* SmartSun®	Without Grilles	0.27	0.18	0.40
		Simulated Divided Light Grilles	0.27	0.16	0.36
		Finelight™ Grilles	0.27	0.16	0.36
		Energy Spacer Divided Light Grilles	0.27	0.16	0.36
	Low-E4* SmartSun® w/HeatLock®	Without Grilles	0.24	0.17	0.39
		Simulated Divided Light Grilles	0.24	0.16	0.35
		Finelight™ Grilles	0.24	0.16	0.35
		Energy Spacer Divided Light Grilles	0.24	0.16	0.35
A-Series Awning AND-N-87	Low-E4*	Without Grilles	0.27	0.25	0.43
		Simulated Divided Light Grilles	0.27	0.23	0.39
		Finelight™ Grilles	0.27	0.23	0.39
		Full Divided Light Grilles	0.28	0.23	0.39
	Low-E4* w/HeatLock®	Without Grilles	0.25	0.25	0.42
		Simulated Divided Light Grilles	0.25	0.23	0.38
		Finelight™ Grilles	0.25	0.23	0.38
		Full Divided Light Grilles	0.26	0.23	0.38
	Low-E4* Sun	Without Grilles	0.28	0.16	0.24
		Simulated Divided Light Grilles	0.28	0.14	0.21
		Finelight™ Grilles	0.28	0.14	0.21
		Full Divided Light Grilles	0.28	0.14	0.21
	Low-E4* SmartSun®	Without Grilles	0.27	0.17	0.39
		Simulated Divided Light Grilles	0.27	0.16	0.35
		Finelight™ Grilles	0.27	0.16	0.35
		Energy Spacer Divided Light Grilles	0.27	0.16	0.35
	Low-E4* SmartSun® w/HeatLock®	Without Grilles	0.24	0.17	0.38
		Simulated Divided Light Grilles	0.24	0.15	0.34
		Finelight™ Grilles	0.24	0.15	0.34
		Energy Spacer Divided Light Grilles	0.24	0.15	0.34
A-Series Double-Hung AND-N-91	Low-E4*	Without Grilles	0.29	0.30	0.52
		Simulated Divided Light Grilles	0.29	0.27	0.46
		Finelight™ Grilles	0.29	0.27	0.46
		Full Divided Light Grilles	0.30	0.27	0.46
	Low-E4* w/HeatLock®	Without Grilles	0.25	0.30	0.51
		Simulated Divided Light Grilles	0.25	0.27	0.45
		Finelight™ Grilles	0.25	0.27	0.45
		Full Divided Light Grilles	0.27	0.27	0.45
	Low-E4* Sun	Without Grilles	0.29	0.19	0.29
		Simulated Divided Light Grilles	0.29	0.17	0.26
		Finelight™ Grilles	0.29	0.17	0.26
		Full Divided Light Grilles	0.31	0.17	0.26
	Low-E4* SmartSun®	Without Grilles	0.27	0.20	0.47
		Simulated Divided Light Grilles	0.27	0.18	0.41
		Finelight™ Grilles	0.27	0.18	0.41
		Energy Spacer Divided Light Grilles	0.27	0.18	0.41
	Low-E4* SmartSun® w/HeatLock®	Without Grilles	0.25	0.20	0.45
		Simulated Divided Light Grilles	0.25	0.18	0.40
		Finelight™ Grilles	0.25	0.18	0.40
		Energy Spacer Divided Light Grilles	0.25	0.18	0.40

Andersen® Product	High-Performance Dual-Pane Glass Type	U-Factor ¹	SHGC ²	VT ³	
A-Series Picture AND-N-88	Low-E4*	Without Grilles	0.29	0.31	0.52
		Simulated Divided Light Grilles	0.29	0.28	0.47
		Finelight™ Grilles	0.30	0.28	0.47
		Full Divided Light Grilles	0.30	0.28	0.47
	Low-E4* w/HeatLock®	Without Grilles	0.25	0.30	0.51
		Simulated Divided Light Grilles	0.25	0.27	0.46
		Finelight™ Grilles	0.26	0.27	0.46
		Full Divided Light Grilles	0.27	0.27	0.46
	Low-E4* Sun	Without Grilles	0.30	0.19	0.28
		Simulated Divided Light Grilles	0.30	0.17	0.25
		Finelight™ Grilles	0.31	0.17	0.25
		Full Divided Light Grilles	0.31	0.17	0.25
	Low-E4* SmartSun®	Without Grilles	0.29	0.21	0.47
		Simulated Divided Light Grilles	0.29	0.19	0.42
		Finelight™ Grilles	0.30	0.19	0.42
		Energy Spacer Divided Light Grilles	0.29	0.19	0.42
	Low-E4* SmartSun® w/HeatLock®	Without Grilles	0.25	0.21	0.46
		Simulated Divided Light Grilles	0.25	0.19	0.41
		Finelight™ Grilles	0.26	0.19	0.41
		Energy Spacer Divided Light Grilles	0.25	0.19	0.41
A-Series Venting Transom AND-N-90	Low-E4*	Without Grilles	0.28	0.27	0.46
		Simulated Divided Light Grilles	0.28	0.24	0.41
		Finelight™ Grilles	0.28	0.24	0.41
		Full Divided Light Grilles	0.28	0.24	0.41
	Low-E4* w/HeatLock®	Without Grilles	0.25	0.26	0.44
		Simulated Divided Light Grilles	0.25	0.24	0.40
		Finelight™ Grilles	0.25	0.24	0.40
		Full Divided Light Grilles	0.26	0.24	0.40
	Low-E4* Sun	Without Grilles	0.28	0.16	0.25
		Simulated Divided Light Grilles	0.28	0.15	0.22
		Finelight™ Grilles	0.28	0.15	0.22
		Full Divided Light Grilles	0.29	0.15	0.22
	Low-E4* SmartSun®	Without Grilles	0.27	0.18	0.41
		Simulated Divided Light Grilles	0.27	0.17	0.37
		Finelight™ Grilles	0.27	0.17	0.37
		Energy Spacer Divided Light Grilles	0.27	0.17	0.37
	Low-E4* SmartSun® w/HeatLock®	Without Grilles	0.24	0.18	0.40
		Simulated Divided Light Grilles	0.24	0.16	0.36
		Finelight™ Grilles	0.24	0.16	0.36
		Energy Spacer Divided Light Grilles	0.24	0.16	0.36

continued on next page

- "Low-E4*", "Low-E4* SmartSun™", "Low-E4* Sun" and HeatLock® are Andersen trademarks for "Low-E" glass.
- 1) U-Factor defines the amount of heat loss through the total unit in BTU/hr/ft²·°F. The lower the value, the less heat is lost through the entire product. Window values represent non-tempered glass. Use of tempered glass can increase U-Factor ratings. See andersenwindows.com/nfrc for specific performance values. Door values represent tempered glass.
- 2) Solar Heat Gain Coefficient (SHGC) defines the fraction of solar radiation admitted through the glass both directly transmitted and absorbed and subsequently re-emitted inward. The lower the value, the less heat is transmitted through the product.
- 3) Visible Transmittance (VT) measures how much light comes through a product (glass and frame). The higher the value, from 0 to 1, the more daylight the product lets in over the product's total unit area. Visible Transmittance is measured over the 380 to 760 nanometer portion of the solar spectrum.
- NFRC ratings are based on modeling by a third-party agency as validated by an independent test lab in compliance with NFRC program and procedural requirements.
- This data is accurate as of January 2018. Due to ongoing product changes, updated test results or new industry standards or requirements, this data may change over time. Ratings are for sizes specified by NFRC for testing and certification. Ratings may vary depending on unit size, use of tempered glass, different grille options, glass for high altitudes, etc.
- Values are for single units with given pane thickness and 3/4" (19mm) grilles for windows and 1" (25mm) grilles for door products.

Andersen® NFRC Certified Total Unit Performance – Dual-Pane Glass (continued)
For current performance information, please visit andersenwindows.com.

Andersen® Product	High-Performance Dual-Pane Glass Type	U-Factor ¹	SHGC ²	VT ³		
A-Series Fixed Transom AND-N-89	Low-E4®	Without Grilles	0.27	0.32	0.54	
		Simulated Divided Light Grilles	0.27	0.28	0.48	
		Finelight™ Grilles	0.29	0.28	0.48	
		Full Divided Light Grilles	0.28	0.28	0.48	
	Low-E4® w/HeatLock®	Without Grilles	0.24	0.31	0.53	
		Simulated Divided Light Grilles	0.24	0.28	0.47	
		Finelight™ Grilles	0.25	0.28	0.47	
		Full Divided Light Grilles	0.26	0.28	0.47	
	Low-E4® Sun	Without Grilles	0.28	0.20	0.30	
		Simulated Divided Light Grilles	0.28	0.18	0.26	
		Finelight™ Grilles	0.29	0.18	0.26	
		Full Divided Light Grilles	0.29	0.18	0.26	
	Low-E4® SmartSun®	Without Grilles	0.27	0.21	0.49	
		Simulated Divided Light Grilles	0.27	0.19	0.43	
		Finelight™ Grilles	0.28	0.19	0.43	
		Energy Spacer Divided Light Grilles	0.27	0.19	0.43	
	Low-E4® SmartSun® w/HeatLock®	Without Grilles	0.23	0.21	0.47	
		Simulated Divided Light Grilles	0.23	0.19	0.42	
		Finelight™ Grilles	0.24	0.19	0.42	
		Energy Spacer Divided Light Grilles	0.23	0.19	0.42	
	A-Series Direct-Set Specialty AND-N-126	Low-E4®	Without Grilles	0.29	0.36	0.61
			Simulated Divided Light Grilles	-	-	-
			Finelight™ Grilles	0.29	0.32	0.55
			Full Divided Light Grilles	0.31	0.29	0.49
Low-E4® w/HeatLock®		Without Grilles	0.25	0.35	0.60	
		Simulated Divided Light Grilles	0.25	0.28	0.48	
		Finelight™ Grilles	0.26	0.32	0.54	
		Full Divided Light Grilles	0.27	0.28	0.48	
Low-E4® Sun		Without Grilles	0.30	0.22	0.34	
		Simulated Divided Light Grilles	-	-	-	
		Finelight™ Grilles	0.31	0.20	0.31	
		Full Divided Light Grilles	0.31	0.18	0.27	
Low-E4® SmartSun®		Without Grilles	0.28	0.24	0.55	
		Simulated Divided Light Grilles	-	-	-	
		Finelight™ Grilles	0.30	0.21	0.50	
		Full Divided Light Grilles	0.30	0.19	0.44	
Low-E4® SmartSun® w/HeatLock®		Without Grilles	0.24	0.23	0.54	
		Simulated Divided Light Grilles	0.24	0.19	0.43	
		Finelight™ Grilles	0.26	0.21	0.48	
		Full Divided Light Grilles	0.27	0.19	0.43	
A-Series Sash-Set Specialty AND-N-128		Low-E4®	Without Grilles	0.29	0.32	0.55
			Simulated Divided Light Grilles	0.29	0.26	0.43
			Finelight™ Grilles	0.31	0.29	0.49
			Full Divided Light Grilles	0.31	0.26	0.43
	Low-E4® w/HeatLock®	Without Grilles	0.25	0.31	0.54	
		Simulated Divided Light Grilles	0.25	0.25	0.42	
		Finelight™ Grilles	0.26	0.28	0.48	
		Full Divided Light Grilles	0.28	0.25	0.42	
	Low-E4® Sun	Without Grilles	0.30	0.20	0.31	
		Simulated Divided Light Grilles	0.30	0.16	0.24	
		Finelight™ Grilles	0.31	0.18	0.27	
		Full Divided Light Grilles	0.31	0.16	0.24	
	Low-E4® SmartSun®	Without Grilles	0.29	0.21	0.49	
		Simulated Divided Light Grilles	0.29	0.17	0.39	
		Finelight™ Grilles	0.30	0.19	0.44	
		Full Divided Light Grilles	0.30	0.17	0.39	
	Low-E4® SmartSun® w/HeatLock®	Without Grilles	0.25	0.21	0.48	
		Simulated Divided Light Grilles	0.25	0.17	0.38	
		Finelight™ Grilles	0.26	0.19	0.43	
		Full Divided Light Grilles	0.27	0.17	0.38	

Andersen® Product	High-Performance Dual-Pane Glass Type	U-Factor ¹	SHGC ²	VT ³	
A-Series Complementary Casement AND-N-107	Low-E4®	Without Grilles	0.31	0.28	0.47
		Simulated Divided Light Grilles	0.31	0.25	0.42
		Finelight™ Grilles	0.31	0.25	0.42
		Full Divided Light Grilles	0.31	0.25	0.42
	Low-E4® w/HeatLock®	Without Grilles	0.27	0.27	0.46
		Simulated Divided Light Grilles	0.27	0.25	0.41
		Finelight™ Grilles	0.27	0.25	0.41
		Full Divided Light Grilles	0.29	0.25	0.41
	Low-E4® Sun	Without Grilles	0.31	0.17	0.26
		Simulated Divided Light Grilles	0.31	0.16	0.23
		Finelight™ Grilles	0.31	0.16	0.23
		Full Divided Light Grilles	0.32	0.16	0.23
	Low-E4® SmartSun®	Without Grilles	0.30	0.18	0.42
		Simulated Divided Light Grilles	0.30	0.17	0.38
		Finelight™ Grilles	0.30	0.17	0.38
		Full Divided Light Grilles	0.31	0.17	0.38
	Low-E4® SmartSun® w/HeatLock®	Without Grilles	0.27	0.18	0.41
		Simulated Divided Light Grilles	0.27	0.17	0.37
		Finelight™ Grilles	0.27	0.17	0.37
		Full Divided Light Grilles	0.28	0.17	0.37
	Low-E4®	Without Grilles	0.30	0.26	0.45
		Simulated Divided Light Grilles	0.30	0.23	0.38
		Finelight™ Grilles	0.32	0.23	0.38
		Full Divided Light Grilles	0.31	0.23	0.38
Low-E4® w/HeatLock®	Without Grilles	0.26	0.26	0.44	
	Simulated Divided Light Grilles	0.26	0.22	0.37	
	Finelight™ Grilles	0.28	0.22	0.37	
	Full Divided Light Grilles	0.29	0.22	0.37	
Low-E4® Sun	Without Grilles	0.30	0.16	0.24	
	Simulated Divided Light Grilles	0.30	0.14	0.21	
	Finelight™ Grilles	0.32	0.14	0.21	
	Full Divided Light Grilles	0.31	0.14	0.21	
Low-E4® SmartSun®	Without Grilles	0.29	0.18	0.40	
	Simulated Divided Light Grilles	0.29	0.16	0.35	
	Finelight™ Grilles	0.31	0.16	0.35	
	Energy Spacer Divided Light Grilles	0.29	0.16	0.35	
Low-E4® SmartSun® w/HeatLock®	Without Grilles	0.26	0.17	0.39	
	Simulated Divided Light Grilles	0.26	0.15	0.34	
	Finelight™ Grilles	0.28	0.15	0.34	
	Energy Spacer Divided Light Grilles	0.26	0.15	0.34	
Low-E4®	Without Grilles	0.28	0.15	0.34	
	Simulated Divided Light Grilles	0.28	0.15	0.34	
	Finelight™ Grilles	0.28	0.15	0.34	
	Full Divided Light Grilles	0.28	0.15	0.34	

continued on next page

- "Low-E4™", "Low-E4® SmartSun™", "Low-E4® Sun" and HeatLock® are Andersen trademarks for "Low-E" glass.
- 1) U-Factor defines the amount of heat loss through the total unit in BTU/hr/ft²·°F. The lower the value, the less heat is lost through the entire product. Window values represent non-tempered glass. Use of tempered glass can increase U-Factor ratings. See andersenwindows.com/nfrc for specific performance values. Door values represent tempered glass.
- 2) Solar Heat Gain Coefficient (SHGC) defines the fraction of solar radiation admitted through the glass both directly transmitted and absorbed and subsequently released inward. The lower the value, the less heat is transmitted through the product.
- 3) Visible Transmittance (VT) measures how much light comes through a product (glass and frame). The higher the value, from 0 to 1, the more daylight the product lets in over the product's total unit area. Visible Transmittance is measured over the 380 to 760 nanometer portion of the solar spectrum.
- NFRC ratings are based on modeling by a third-party agency as validated by an independent test lab in compliance with NFRC program and procedural requirements.
- This data is accurate as of January 2018. Due to ongoing product changes, updated test results or new industry standards or requirements, this data may change over time. Ratings are for sizes specified by NFRC for testing and certification. Ratings may vary depending on unit size, use of tempered glass, different grille options, glass for high altitudes, etc.
- Values are for single units with given pane thickness and 3/4" (19mm) grilles for windows and 1" (25mm) grilles for door products.

PRODUCT PERFORMANCE

Andersen® NFRC Certified Total Unit Performance – Dual-Pane Glass (continued) For current performance information, please visit andersenwindows.com.

Andersen® Product	High-Performance Dual-Pane Glass Type	U-Factor ¹	SHGC ²	VT ³	
A-Series Frenchwood® Hinged Inswing Patio Door AND-N-92	Low-E4*	Without Grilles	0.30	0.24	0.41
		Simulated Divided Light Grilles	0.30	0.21	0.35
		Finelight™ Grilles	0.31	0.21	0.35
		Full Divided Light Grilles	0.31	0.21	0.35
	Low-E4* w/HeatLock®	Without Grilles	0.27	0.24	0.40
		Simulated Divided Light Grilles	0.27	0.21	0.34
		Finelight™ Grilles	0.28	0.21	0.34
		Full Divided Light Grilles	0.29	0.21	0.34
	Low-E4* Sun	Without Grilles	0.30	0.15	0.23
		Simulated Divided Light Grilles	0.30	0.13	0.19
		Finelight™ Grilles	0.32	0.13	0.19
		Full Divided Light Grilles	0.32	0.13	0.19
	Low-E4* SmartSun®	Without Grilles	0.30	0.16	0.37
		Simulated Divided Light Grilles	0.30	0.14	0.31
		Finelight™ Grilles	0.31	0.14	0.31
		Energy Spacer Divided Light Grilles	0.30	0.14	0.31
	Low-E4* SmartSun® w/HeatLock®	Without Grilles	0.27	0.16	0.36
		Simulated Divided Light Grilles	0.27	0.14	0.31
		Finelight™ Grilles	0.28	0.14	0.31
		Energy Spacer Divided Light Grilles	0.27	0.14	0.31
A-Series Frenchwood® Hinged Outswing Patio Door AND-N-93	Low-E4*	Without Grilles	0.30	0.24	0.41
		Simulated Divided Light Grilles	0.30	0.21	0.35
		Finelight™ Grilles	0.31	0.21	0.35
		Full Divided Light Grilles	0.31	0.21	0.35
	Low-E4* w/HeatLock®	Without Grilles	0.26	0.24	0.40
		Simulated Divided Light Grilles	0.26	0.21	0.34
		Finelight™ Grilles	0.28	0.21	0.34
		Full Divided Light Grilles	0.29	0.21	0.34
	Low-E4* Sun	Without Grilles	0.30	0.15	0.23
		Simulated Divided Light Grilles	0.30	0.13	0.19
		Finelight™ Grilles	0.31	0.13	0.19
		Full Divided Light Grilles	0.31	0.13	0.19
	Low-E4* SmartSun®	Without Grilles	0.29	0.16	0.37
		Simulated Divided Light Grilles	0.29	0.14	0.31
		Finelight™ Grilles	0.30	0.14	0.31
		Energy Spacer Divided Light Grilles	0.29	0.14	0.31
	Low-E4* SmartSun® w/HeatLock®	Without Grilles	0.26	0.16	0.36
		Simulated Divided Light Grilles	0.26	0.14	0.31
		Finelight™ Grilles	0.27	0.14	0.31
		Energy Spacer Divided Light Grilles	0.26	0.14	0.31
A-Series Frenchwood® Patio Door Sidelight Transom Direct-Set AND-N-96	Low-E4*	Without Grilles	0.28	0.34	0.58
		Simulated Divided Light Grilles	0.28	0.31	0.53
		Finelight™ Grilles	0.29	0.31	0.53
		Full Divided Light Grilles	0.29	0.31	0.53
	Low-E4* w/HeatLock®	Without Grilles	0.24	0.33	0.57
		Simulated Divided Light Grilles	0.24	0.30	0.51
		Finelight™ Grilles	0.25	0.30	0.51
		Full Divided Light Grilles	0.26	0.30	0.51
	Low-E4* Sun	Without Grilles	0.28	0.21	0.32
		Simulated Divided Light Grilles	0.28	0.19	0.29
		Finelight™ Grilles	0.29	0.19	0.29
		Full Divided Light Grilles	0.29	0.19	0.29
	Low-E4* SmartSun®	Without Grilles	0.27	0.22	0.52
		Simulated Divided Light Grilles	0.27	0.20	0.47
		Finelight™ Grilles	0.28	0.20	0.47
		Energy Spacer Divided Light Grilles	0.27	0.20	0.47
	Low-E4* SmartSun® w/HeatLock®	Without Grilles	0.24	0.22	0.51
		Simulated Divided Light Grilles	0.24	0.20	0.46
		Finelight™ Grilles	0.24	0.20	0.46
		Energy Spacer Divided Light Grilles	0.24	0.20	0.46

Andersen® Product	High-Performance Dual-Pane Glass Type	U-Factor ¹	SHGC ²	VT ³	
A-Series Frenchwood® Patio Door Sidelight Transom Sash-Set AND-N-95	Low-E4*	Without Grilles	0.29	0.26	0.43
		Simulated Divided Light Grilles	0.29	0.23	0.39
		Finelight™ Grilles	0.30	0.23	0.39
		Full Divided Light Grilles	0.30	0.23	0.39
	Low-E4* w/HeatLock®	Without Grilles	0.26	0.25	0.42
		Simulated Divided Light Grilles	0.26	0.23	0.38
		Finelight™ Grilles	0.27	0.23	0.38
		Full Divided Light Grilles	0.28	0.23	0.38
	Low-E4* Sun	Without Grilles	0.30	0.16	0.24
		Simulated Divided Light Grilles	0.30	0.14	0.21
		Finelight™ Grilles	0.30	0.14	0.21
		Full Divided Light Grilles	0.30	0.14	0.21
	Low-E4* SmartSun®	Without Grilles	0.29	0.17	0.39
		Simulated Divided Light Grilles	0.29	0.16	0.35
		Finelight™ Grilles	0.29	0.16	0.35
		Energy Spacer Divided Light Grilles	0.29	0.16	0.35
	Low-E4* SmartSun® w/HeatLock®	Without Grilles	0.26	0.17	0.38
		Simulated Divided Light Grilles	0.26	0.15	0.34
		Finelight™ Grilles	0.26	0.15	0.34
		Energy Spacer Divided Light Grilles	0.26	0.15	0.34
A-Series Frenchwood® Patio Door Transom Direct-Set AND-N-96	Low-E4*	Without Grilles	0.31	0.33	0.56
		Simulated Divided Light Grilles	0.31	0.30	0.51
		Finelight™ Grilles	0.28	0.30	0.51
		Full Divided Light Grilles	0.31	0.30	0.51
	Low-E4* w/HeatLock®	Without Grilles	0.27	0.32	0.55
		Simulated Divided Light Grilles	0.27	0.29	0.50
		Finelight™ Grilles	0.24	0.29	0.50
		Full Divided Light Grilles	0.28	0.29	0.50
	Low-E4* Sun	Without Grilles	0.31	0.21	0.30
		Simulated Divided Light Grilles	0.31	0.19	0.27
		Finelight™ Grilles	0.28	0.18	0.27
		Full Divided Light Grilles	0.32	0.19	0.27
	Low-E4* SmartSun®	Without Grilles	0.30	0.23	0.51
		Simulated Divided Light Grilles	0.30	0.21	0.46
		Finelight™ Grilles	0.27	0.20	0.46
		Energy Spacer Divided Light Grilles	0.30	0.21	0.46
	Low-E4* SmartSun® w/HeatLock®	Without Grilles	0.26	0.22	0.49
		Simulated Divided Light Grilles	0.26	0.20	0.45
		Finelight™ Grilles	0.24	0.20	0.45
		Energy Spacer Divided Light Grilles	0.26	0.20	0.45

continued on next page

- "Low-E4*", "Low-E4* SmartSun™", "Low-E4° Sun" and HeatLock® are Andersen trademarks for "Low-E" glass.
- 1) U-Factor defines the amount of heat loss through the total unit in BTU/hr/ft²·°F. The lower the value, the less heat is lost through the entire product. Window values represent non-tempered glass. Use of tempered glass can increase U-Factor ratings. See andersenwindows.com/nfrc for specific performance values. Door values represent tempered glass.
- 2) Solar Heat Gain Coefficient (SHGC) defines the fraction of solar radiation admitted through the glass both directly transmitted and absorbed and subsequently released inward. The lower the value, the less heat is transmitted through the product.
- 3) Visible Transmittance (VT) measures how much light comes through a product (glass and frame). The higher the value, from 0 to 1, the more daylight the product lets in over the product's total unit area. Visible Transmittance is measured over the 380 to 760 nanometer portion of the solar spectrum.
- NFRC ratings are based on modeling by a third-party agency as validated by an independent test lab in compliance with NFRC program and procedural requirements.
- This data is accurate as of January 2018. Due to ongoing product changes, updated test results or new industry standards or requirements, this data may change over time. Ratings are for sizes specified by NFRC for testing and certification. Ratings may vary depending on unit size, use of tempered glass, different grille options, glass for high altitudes, etc.
- Values are for single units with given pane thickness and 3/4" (19mm) grilles for windows and 1" (25mm) grilles for door products.

Andersen® NFRC Certified Total Unit Performance – Dual-Pane Glass (continued)
For current performance information, please visit andersenwindows.com.

Andersen® Product	High-Performance Dual-Pane Glass Type	U-Factor ¹	SHGC ²	VT ³	
A-Series Frenchwood® Patio Door Transom Sash-Set AND-N-95	Low-E4®	Without Grilles	-	-	-
		Simulated Divided Light Grilles	-	-	-
		Finelight™ Grilles	-	-	-
		Full Divided Light Grilles	-	-	-
	Low-E4® w/HeatLock®	Without Grilles	-	-	-
		Simulated Divided Light Grilles	-	-	-
		Finelight™ Grilles	-	-	-
		Full Divided Light Grilles	-	-	-
	Low-E4® Sun	Without Grilles	-	-	-
		Simulated Divided Light Grilles	-	-	-
		Finelight™ Grilles	-	-	-
		Full Divided Light Grilles	-	-	-
	Low-E4® SmartSun™	Without Grilles	-	-	-
		Simulated Divided Light Grilles	-	-	-
		Finelight™ Grilles	-	-	-
		Energy Spacer Divided Light Grilles	-	-	-
Low-E4® SmartSun™ w/HeatLock®	Without Grilles	-	-	-	
	Simulated Divided Light Grilles	-	-	-	
	Finelight™ Grilles	-	-	-	
	Energy Spacer Divided Light Grilles	-	-	-	
A-Series Frenchwood® Patio Door Sidelight AND-N-94	Low-E4®	Without Grilles	0.30	0.23	0.38
		Simulated Divided Light Grilles	0.30	0.21	0.34
		Finelight™ Grilles	0.31	0.21	0.34
		Full Divided Light Grilles	0.31	0.21	0.34
	Low-E4® w/HeatLock®	Without Grilles	0.27	0.22	0.37
		Simulated Divided Light Grilles	0.27	0.20	0.33
		Finelight™ Grilles	0.28	0.20	0.33
		Full Divided Light Grilles	0.28	0.20	0.33
	Low-E4® Sun	Without Grilles	0.30	0.14	0.21
		Simulated Divided Light Grilles	0.30	0.13	0.19
		Finelight™ Grilles	0.31	0.13	0.19
		Full Divided Light Grilles	0.31	0.13	0.19
	Low-E4® SmartSun™	Without Grilles	0.29	0.15	0.34
		Simulated Divided Light Grilles	0.29	0.14	0.30
		Finelight™ Grilles	0.30	0.14	0.30
		Energy Spacer Divided Light Grilles	0.29	0.14	0.30
	Low-E4® SmartSun™ w/HeatLock®	Without Grilles	0.27	0.15	0.34
		Simulated Divided Light Grilles	0.27	0.14	0.30
		Finelight™ Grilles	0.27	0.14	0.30
		Energy Spacer Divided Light Grilles	0.27	0.14	0.30
A-Series Complementary Inswing Patio Door Springline™ & Arch AND-N-127	Low-E4®	Without Grilles	0.31	0.24	0.41
		Simulated Divided Light Grilles	0.31	0.18	0.30
		Finelight™ Grilles	0.32	0.21	0.35
		Full Divided Light Grilles	0.32	0.18	0.30
	Low-E4® w/HeatLock®	Without Grilles	0.28	0.24	0.40
		Simulated Divided Light Grilles	0.28	0.18	0.29
		Finelight™ Grilles	0.29	0.21	0.34
		Full Divided Light Grilles	0.30	0.18	0.29
	Low-E4® Sun	Without Grilles	0.31	0.15	0.23
		Simulated Divided Light Grilles	0.31	0.12	0.17
		Finelight™ Grilles	0.33	0.13	0.20
		Full Divided Light Grilles	0.33	0.12	0.17
	Low-E4® SmartSun™	Without Grilles	0.31	0.16	0.37
		Simulated Divided Light Grilles	0.31	0.12	0.27
		Finelight™ Grilles	0.32	0.14	0.32
		Full Divided Light Grilles	0.32	0.12	0.27
	Low-E4® SmartSun™ w/HeatLock®	Without Grilles	0.28	0.16	0.36
		Simulated Divided Light Grilles	0.28	0.12	0.26
		Finelight™ Grilles	0.29	0.14	0.31
		Full Divided Light Grilles	0.30	0.12	0.26

Andersen® Product	High-Performance Dual-Pane Glass Type	U-Factor ¹	SHGC ²	VT ³	
A-Series Complementary Outswing Patio Door Springline™ & Arch AND-N-127	Low-E4®	Without Grilles	0.32	0.25	0.41
		Simulated Divided Light Grilles	0.32	0.19	0.30
		Finelight™ Grilles	0.33	0.22	0.35
		Full Divided Light Grilles	0.33	0.19	0.30
	Low-E4® w/HeatLock®	Without Grilles	0.29	0.24	0.40
		Simulated Divided Light Grilles	0.29	0.18	0.29
		Finelight™ Grilles	0.30	0.21	0.35
		Full Divided Light Grilles	0.31	0.18	0.29
	Low-E4® Sun	Without Grilles	0.32	0.16	0.23
		Simulated Divided Light Grilles	0.32	0.12	0.17
		Finelight™ Grilles	0.33	0.14	0.20
		Full Divided Light Grilles	0.33	0.12	0.17
	Low-E4® SmartSun™	Without Grilles	0.31	0.17	0.37
		Simulated Divided Light Grilles	0.31	0.15	0.32
		Finelight™ Grilles	0.33	0.15	0.32
		Full Divided Light Grilles	0.33	0.15	0.32
Low-E4® SmartSun™ w/HeatLock®	Without Grilles	0.28	0.16	0.36	
	Simulated Divided Light Grilles	0.28	0.15	0.31	
	Finelight™ Grilles	0.29	0.15	0.31	
	Full Divided Light Grilles	0.31	0.15	0.31	
A-Series Complementary Patio Door Sidelight Arch AND-N-131	Low-E4®	Without Grilles	0.31	0.23	0.38
		Simulated Divided Light Grilles	-	-	-
		Finelight™ Grilles	0.31	0.21	0.34
		Full Divided Light Grilles	0.32	0.18	0.30
	Low-E4® w/HeatLock®	Without Grilles	0.28	0.22	0.37
		Simulated Divided Light Grilles	-	-	-
		Finelight™ Grilles	0.28	0.20	0.33
		Full Divided Light Grilles	0.30	0.18	0.29
	Low-E4® Sun	Without Grilles	0.32	0.14	0.21
		Simulated Divided Light Grilles	-	-	-
		Finelight™ Grilles	0.32	0.13	0.19
		Full Divided Light Grilles	0.33	0.12	0.17
	Low-E4® SmartSun™	Without Grilles	0.31	0.15	0.34
		Simulated Divided Light Grilles	-	-	-
		Finelight™ Grilles	0.31	0.14	0.30
		Full Divided Light Grilles	0.32	0.13	0.27
Low-E4® SmartSun™ w/HeatLock®	Without Grilles	0.28	0.15	0.34	
	Simulated Divided Light Grilles	-	-	-	
	Finelight™ Grilles	0.28	0.14	0.30	
	Full Divided Light Grilles	0.30	0.12	0.26	

continued on next page

- "Low-E4™", "Low-E4™ SmartSun™", "Low-E4™ Sun" and HeatLock® are Andersen trademarks for "Low-E" glass.
- 1) U-Factor defines the amount of heat loss through the total unit in BTU/hr/ft².°F. The lower the value, the less heat is lost through the entire product. Window values represent non-tempered glass. Use of tempered glass can increase U-Factor ratings. See andersenwindows.com/nfrc for specific performance values. Door values represent tempered glass. 2) Solar Heat Gain Coefficient (SHGC) defines the fraction of solar radiation admitted through the glass both directly transmitted and absorbed and subsequently released inward. The lower the value, the less heat is transmitted through the product. 3) Visible Transmittance (VT) measures how much light comes through a product (glass and frame). The higher the value, from 0 to 1, the more daylight the product lets in over the product's total unit area. Visible Transmittance is measured over the 380 to 760 nanometer portion of the solar spectrum.
- NFRC ratings are based on modeling by a third-party agency as validated by an independent test lab in compliance with NFRC program and procedural requirements.
- This data is accurate as of January 2018. Due to ongoing product changes, updated test results or new industry standards or requirements, this data may change over time. Ratings are for sizes specified by NFRC for testing and certification. Ratings may vary depending on unit size, use of tempered glass, different grille options, glass for high altitudes, etc.
- Values are for single units with given pane thickness and 3/4" (19mm) grilles for windows and 1" (25mm) grilles for door products.

PRODUCT PERFORMANCE

Andersen® NFRC Certified Total Unit Performance – Dual-Pane Glass (continued)
For current performance information, please visit andersenwindows.com.

Andersen® Product	High-Performance Dual-Pane Glass Type	U-Factor ¹	SHGC ²	VT ³	
Folding Doors AND-N-153	Low-E4*	Without Grilles	0.36	0.26	0.44
		Simulated Divided Light Grilles	0.36	0.23	0.37
		Finelight™ Grilles	0.37	0.23	0.37
		Full Divided Light Grilles	0.37	0.23	0.37
	Low-E4* w/HeatLock®	Without Grilles	0.36	0.16	0.24
		Simulated Divided Light Grilles	0.36	0.14	0.21
		Finelight™ Grilles	0.37	0.14	0.21
		Full Divided Light Grilles	0.37	0.14	0.21
	Low-E4* Sun	Without Grilles	0.35	0.18	0.39
		Simulated Divided Light Grilles	0.35	0.15	0.34
		Finelight™ Grilles	0.36	0.15	0.34
		Full Divided Light Grilles	0.36	0.15	0.34
	Low-E4* Sun w/HeatLock®	Without Grilles	0.36	0.43	0.48
		Simulated Divided Light Grilles	0.36	0.37	0.41
		Finelight™ Grilles	0.38	0.37	0.41
		Full Divided Light Grilles	0.37	0.37	0.41
	Low-E4* SmartSun™	Without Grilles	0.32	0.26	0.43
		Simulated Divided Light Grilles	0.32	0.22	0.37
		Finelight™ Grilles	0.34	0.22	0.37
		Full Divided Light Grilles	0.34	0.22	0.37
Low-E4* SmartSun™ w/HeatLock®	Without Grilles	0.33	0.16	0.24	
	Simulated Divided Light Grilles	0.33	0.14	0.20	
	Finelight™ Grilles	0.34	0.14	0.20	
	Full Divided Light Grilles	0.35	0.14	0.20	
Residential Inswing Entry Door* Arch & Rectangular AND-N-135	Low-E4*	Without Grilles	0.32	0.22	0.37
		Simulated Divided Light Grilles	0.32	0.16	0.26
		Finelight™ Grilles	0.33	0.19	0.31
		Full Divided Light Grilles	0.33	0.16	0.26
	Low-E4* w/HeatLock®	Without Grilles	-	-	-
		Simulated Divided Light Grilles	-	-	-
		Finelight™ Grilles	-	-	-
		Full Divided Light Grilles	-	-	-
	Low-E4* Sun	Without Grilles	0.32	0.14	0.20
		Simulated Divided Light Grilles	0.32	0.11	0.14
		Finelight™ Grilles	0.34	0.12	0.17
		Full Divided Light Grilles	0.34	0.11	0.14
	Low-E4* SmartSun™	Without Grilles	0.32	0.15	0.33
		Simulated Divided Light Grilles	0.32	0.11	0.23
		Finelight™ Grilles	0.33	0.13	0.28
		Full Divided Light Grilles	0.33	0.11	0.23
	Low-E4* SmartSun™ w/HeatLock®	Without Grilles	-	-	-
		Simulated Divided Light Grilles	-	-	-
		Finelight™ Grilles	-	-	-
		Full Divided Light Grilles	-	-	-
Residential/Commercial Inswing Entry Door Transoms Sash-Set AND-N-145	Low-E4*	Without Grilles	0.31	0.27	0.47
		Simulated Divided Light Grilles	0.31	0.25	0.41
		Finelight™ Grilles	0.30	0.24	0.41
		Full Divided Light Grilles	0.32	0.25	0.41
	Low-E4* w/HeatLock®	Without Grilles	-	-	-
		Simulated Divided Light Grilles	-	-	-
		Finelight™ Grilles	-	-	-
		Full Divided Light Grilles	-	-	-
	Low-E4* Sun	Without Grilles	0.31	0.17	0.26
		Simulated Divided Light Grilles	0.31	0.15	0.23
		Finelight™ Grilles	0.32	0.15	0.23
		Full Divided Light Grilles	0.32	0.15	0.23
	Low-E4* SmartSun™	Without Grilles	0.30	0.18	0.42
		Simulated Divided Light Grilles	0.30	0.16	0.37
		Finelight™ Grilles	0.31	0.16	0.37
		Full Divided Light Grilles	0.31	0.16	0.37
	Low-E4* SmartSun™ w/HeatLock®	Without Grilles	-	-	-
		Simulated Divided Light Grilles	-	-	-
		Finelight™ Grilles	-	-	-
		Full Divided Light Grilles	-	-	-

Andersen® Product	High-Performance Dual-Pane Glass Type	U-Factor ¹	SHGC ²	VT ³	
Residential Inswing Entry Door Sidelights* Sash-Set Arch & Rectangular AND-N-136	Low-E4*	Without Grilles	0.33	0.19	0.31
		Simulated Divided Light Grilles	0.33	0.15	0.24
		Finelight™ Grilles	0.34	0.17	0.27
		Full Divided Light Grilles	0.34	0.15	0.24
	Low-E4* w/HeatLock®	Without Grilles	-	-	-
		Simulated Divided Light Grilles	-	-	-
		Finelight™ Grilles	-	-	-
		Full Divided Light Grilles	-	-	-
	Low-E4* Sun	Without Grilles	0.34	0.12	0.17
		Simulated Divided Light Grilles	0.34	0.10	0.13
		Finelight™ Grilles	0.34	0.11	0.15
		Full Divided Light Grilles	0.34	0.10	0.13
	Low-E4* SmartSun™	Without Grilles	0.33	0.13	0.28
		Simulated Divided Light Grilles	0.33	0.10	0.21
		Finelight™ Grilles	0.34	0.12	0.25
		Full Divided Light Grilles	0.34	0.10	0.21
	Low-E4* SmartSun™ w/HeatLock®	Without Grilles	-	-	-
		Simulated Divided Light Grilles	-	-	-
		Finelight™ Grilles	-	-	-
		Full Divided Light Grilles	-	-	-
Residential Outswing Entry Door* Arch & Rectangular AND-N-135	Low-E4*	Without Grilles	0.33	0.22	0.36
		Simulated Divided Light Grilles	0.33	0.17	0.26
		Finelight™ Grilles	0.34	0.19	0.31
		Full Divided Light Grilles	0.34	0.17	0.26
	Low-E4* w/HeatLock®	Without Grilles	-	-	-
		Simulated Divided Light Grilles	-	-	-
		Finelight™ Grilles	-	-	-
		Full Divided Light Grilles	-	-	-
	Low-E4* Sun	Without Grilles	0.33	0.14	0.20
		Simulated Divided Light Grilles	0.33	0.11	0.14
		Finelight™ Grilles	0.34	0.12	0.17
		Full Divided Light Grilles	0.34	0.11	0.14
	Low-E4* SmartSun™	Without Grilles	0.32	0.15	0.33
		Simulated Divided Light Grilles	0.32	0.12	0.23
		Finelight™ Grilles	0.34	0.13	0.28
		Full Divided Light Grilles	0.34	0.12	0.23
	Low-E4* SmartSun™ w/HeatLock®	Without Grilles	-	-	-
		Simulated Divided Light Grilles	-	-	-
		Finelight™ Grilles	-	-	-
		Full Divided Light Grilles	-	-	-

continued on next page

- "Low-E4*", "Low-E4* SmartSun™", "Low-E4* Sun" and HeatLock® are Andersen trademarks for "Low-E" glass.
- 1) U-Factor defines the amount of heat loss through the total unit in BTU/hr/ft² °F. The lower the value, the less heat is lost through the entire product. Window values represent non-tempered glass. Use of tempered glass can increase U-Factor ratings. See andersenwindows.com/nfrc for specific performance values. Door values represent tempered glass.
- 2) Solar Heat Gain Coefficient (SHGC) defines the fraction of solar radiation admitted through the glass both directly transmitted and absorbed and subsequently released inward. The lower the value, the less heat is transmitted through the product.
- 3) Visible Transmittance (VT) measures how much light comes through a product (glass and frame). The higher the value, from 0 to 1, the more daylight the product lets in over the product's total unit area. Visible Transmittance is measured over the 380 to 760 nanometer portion of the solar spectrum.
- NFRC ratings are based on modeling by a third-party agency as validated by an independent test lab in compliance with NFRC program and procedural requirements.
- This data is accurate as of January 2018. Due to ongoing product changes, updated test results or new industry standards or requirements, this data may change over time. Ratings are for sizes specified by NFRC for testing and certification. Ratings may vary depending on unit size, use of tempered glass, different grille options, glass for high altitudes, etc.
- Values are for single units with given pane thickness and 3/4" (19mm) grilles for windows and 1" (25mm) grilles for door products.
- *Ratings for product with 4 3/4" (121mm) stile widths. Ratings for Springline™ entry doors and additional stile widths can be found at andersenwindows.com/nfrc.

Andersen® NFRC Certified Total Unit Performance – Dual-Pane Glass (continued)
For current performance information, please visit andersenwindows.com.

Andersen® Product	High-Performance Dual-Pane Glass Type	U-Factor ¹	SHGC ²	VT ³	
Residential/Commercial Outswing Entry Door Transom* Sash-Set AND-N-130	Low-E4®	Without Grilles	0.31	0.29	0.49
		Simulated Divided Light Grilles	0.31	0.26	0.43
		Finelight™ Grilles	0.31	0.26	0.43
		Full Divided Light Grilles	0.32	0.26	0.43
	Low-E4® w/HeatLock®	Without Grilles	0.28	0.28	0.48
		Simulated Divided Light Grilles	0.28	0.25	0.42
		Finelight™ Grilles	0.28	0.25	0.42
		Full Divided Light Grilles	0.30	0.25	0.42
	Low-E4® Sun	Without Grilles	0.29	0.17	0.26
		Simulated Divided Light Grilles	0.29	0.15	0.23
		Finelight™ Grilles	0.31	0.16	0.24
		Full Divided Light Grilles	0.30	0.15	0.23
	Low-E4® SmartSun™	Without Grilles	0.31	0.19	0.44
		Simulated Divided Light Grilles	0.31	0.17	0.39
		Finelight™ Grilles	0.31	0.17	0.39
		Full Divided Light Grilles	0.32	0.17	0.39
	Low-E4® SmartSun™ w/HeatLock®	Without Grilles	0.27	0.19	0.43
		Simulated Divided Light Grilles	0.27	0.17	0.38
		Finelight™ Grilles	0.27	0.17	0.38
		Full Divided Light Grilles	0.29	0.18	0.38
Residential Outswing Entry Door Sidelights* Arch & Rectangular AND-N-136	Low-E4®	Without Grilles	0.34	0.19	0.31
		Simulated Divided Light Grilles	0.34	0.15	0.24
		Finelight™ Grilles	0.35	0.17	0.27
		Full Divided Light Grilles	0.35	0.15	0.24
	Low-E4® w/HeatLock®	Without Grilles	-	-	-
		Simulated Divided Light Grilles	-	-	-
		Finelight™ Grilles	-	-	-
		Full Divided Light Grilles	-	-	-
	Low-E4® Sun	Without Grilles	0.34	0.12	0.17
		Simulated Divided Light Grilles	0.34	0.10	0.13
		Finelight™ Grilles	0.35	0.11	0.15
		Full Divided Light Grilles	0.35	0.10	0.13
	Low-E4® SmartSun™	Without Grilles	0.33	0.13	0.28
		Simulated Divided Light Grilles	0.33	0.11	0.21
		Finelight™ Grilles	0.34	0.12	0.25
		Full Divided Light Grilles	0.34	0.11	0.21
	Low-E4® SmartSun™ w/HeatLock®	Without Grilles	-	-	-
		Simulated Divided Light Grilles	-	-	-
		Finelight™ Grilles	-	-	-
		Full Divided Light Grilles	-	-	-
Commercial Rectangular Outswing Entry Door* AND-N-139	Low-E4®	Without Grilles	0.33	0.21	0.35
		Simulated Divided Light Grilles	0.33	0.16	0.24
		Finelight™ Grilles	0.35	0.18	0.29
		Full Divided Light Grilles	0.34	0.16	0.24
	Low-E4® w/HeatLock®	Without Grilles	-	-	-
		Simulated Divided Light Grilles	-	-	-
		Finelight™ Grilles	-	-	-
		Full Divided Light Grilles	-	-	-
	Low-E4® Sun	Without Grilles	0.34	0.13	0.19
		Simulated Divided Light Grilles	0.34	0.10	0.14
		Finelight™ Grilles	0.35	0.12	0.16
		Full Divided Light Grilles	0.35	0.10	0.14
	Low-E4® SmartSun™	Without Grilles	0.33	0.15	0.31
		Simulated Divided Light Grilles	0.33	0.11	0.22
		Finelight™ Grilles	0.34	0.13	0.26
		Full Divided Light Grilles	0.34	0.11	0.22
	Low-E4® SmartSun™ w/HeatLock®	Without Grilles	-	-	-
		Simulated Divided Light Grilles	-	-	-
		Finelight™ Grilles	-	-	-
		Full Divided Light Grilles	-	-	-

Andersen® Product	High-Performance Dual-Pane Glass Type	U-Factor ¹	SHGC ²	VT ³	
Commercial Outswing Entry Door Sidelights* Rectangular AND-N-144	Low-E4®	Without Grilles	0.35	0.19	0.30
		Simulated Divided Light Grilles	0.35	0.15	0.22
		Finelight™ Grilles	0.36	0.16	0.26
		Full Divided Light Grilles	0.36	0.15	0.22
	Low-E4® w/HeatLock®	Without Grilles	-	-	-
		Simulated Divided Light Grilles	-	-	-
		Finelight™ Grilles	-	-	-
		Full Divided Light Grilles	-	-	-
	Low-E4® Sun	Without Grilles	0.35	0.12	0.17
		Simulated Divided Light Grilles	0.35	0.10	0.12
		Finelight™ Grilles	0.36	0.11	0.14
		Full Divided Light Grilles	0.36	0.10	0.12
	Low-E4® SmartSun™	Without Grilles	0.34	0.13	0.27
		Simulated Divided Light Grilles	0.34	0.10	0.20
		Finelight™ Grilles	0.35	0.11	0.23
		Full Divided Light Grilles	0.35	0.10	0.20
	Low-E4® SmartSun™ w/HeatLock®	Without Grilles	-	-	-
		Simulated Divided Light Grilles	-	-	-
		Finelight™ Grilles	-	-	-
		Full Divided Light Grilles	-	-	-

• "Low-E4™", "Low-E4 SmartSun™", "Low-E4 Sun™" and HeatLock® are Andersen trademarks for "Low-E" glass.
 1) U-Factor defines the amount of heat loss through the total unit in BTU/hr/ft². °F. The lower the value, the less heat is lost through the entire product. Window values represent non-tempered glass. Use of tempered glass can increase U-Factor ratings. See andersenwindows.com/nfrc for specific performance values. Door values represent tempered glass. 2) Solar Heat Gain Coefficient (SHGC) defines the fraction of solar radiation admitted through the glass both directly transmitted and absorbed and subsequently released inward. The lower the value, the less heat is transmitted through the product. 3) Visible Transmittance (VT) measures how much light comes through a product (glass and frame). The higher the value, from 0 to 1, the more daylight the product lets in over the product's total unit area. Visible Transmittance is measured over the 380 to 760 nanometer portion of the solar spectrum.
 • NFRC ratings are based on modeling by a third-party agency as validated by an independent test lab in compliance with NFRC program and procedural requirements.
 • This data is accurate as of January 2018. Due to ongoing product changes, updated test results or new industry standards or requirements, this data may change over time. Ratings are for sizes specified by NFRC for testing and certification. Ratings may vary depending on unit size, use of tempered glass, different grille options, glass for high altitudes, etc.
 • Values are for single units with given pane thickness and 3/4" (19mm) grilles for windows and 1" (25mm) grilles for door products.
 *Ratings for product with 4 3/4" (121mm) stile widths. Ratings for Springline™ entry doors and additional stile widths can be found at andersenwindows.com/nfrc.

PRODUCT PERFORMANCE

Andersen® NFRC Certified Total Unit Performance – Triple-Pane Glass

For current performance information, please visit andersenwindows.com.

Andersen® Product	High-Performance Triple-Pane Glass Type	U-Factor ¹	SHGC ²	VT ³	
A-Series Casement AND-N-86	Low-E4*	Without Grilles	0.25	0.24	0.41
		Simulated Divided Light Grilles	0.25	0.22	0.37
		Finelight™ Grilles	0.25	0.22	0.37
		Full Divided Light Grilles	-	-	-
	Low-E4* Enhanced	Without Grilles	0.21	0.24	0.40
		Simulated Divided Light Grilles	0.21	0.22	0.36
		Finelight Grilles	0.22	0.22	0.36
		Full Divided Light Grilles	-	-	-
	Low-E4* Enhanced w/HeatLock®	Without Grilles	0.20	0.23	0.39
		Simulated Divided Light Grilles	0.20	0.21	0.35
		Finelight Grilles	0.20	0.21	0.35
		Full Divided Light Grilles	-	-	-
	Low-E4* SmartSun™	Without Grilles	0.24	0.16	0.37
		Simulated Divided Light Grilles	0.24	0.15	0.33
		Finelight Grilles	0.25	0.15	0.33
		Full Divided Light Grilles	-	-	-
	Low-E4* SmartSun™ Enhanced	Without Grilles	0.21	0.16	0.36
		Simulated Divided Light Grilles	0.21	0.15	0.32
		Finelight Grilles	0.21	0.15	0.32
		Full Divided Light Grilles	-	-	-
	Low-E4* SmartSun™ Enhanced w/HeatLock®	Without Grilles	0.20	0.15	0.35
		Simulated Divided Light Grilles	0.20	0.14	0.31
		Finelight Grilles	0.20	0.14	0.31
		Full Divided Light Grilles	-	-	-
A-Series Awning AND-N-87	Low-E4*	Without Grilles	0.25	0.24	0.40
		Simulated Divided Light Grilles	0.25	0.22	0.36
		Finelight™ Grilles	0.25	0.22	0.36
		Full Divided Light Grilles	-	-	-
	Low-E4* Enhanced	Without Grilles	0.22	0.23	0.38
		Simulated Divided Light Grilles	0.22	0.21	0.35
		Finelight Grilles	0.22	0.21	0.35
		Full Divided Light Grilles	-	-	-
	Low-E4* Enhanced w/HeatLock®	Without Grilles	0.20	0.22	0.38
		Simulated Divided Light Grilles	0.20	0.20	0.34
		Finelight Grilles	0.20	0.20	0.34
		Full Divided Light Grilles	-	-	-
	Low-E4* SmartSun™	Without Grilles	0.24	0.16	0.36
		Simulated Divided Light Grilles	0.24	0.15	0.32
		Finelight Grilles	0.25	0.15	0.32
		Full Divided Light Grilles	-	-	-
	Low-E4* SmartSun™ Enhanced	Without Grilles	0.21	0.16	0.35
		Simulated Divided Light Grilles	0.21	0.14	0.31
		Finelight Grilles	0.22	0.14	0.31
		Full Divided Light Grilles	-	-	-
	Low-E4* SmartSun™ Enhanced w/HeatLock®	Without Grilles	0.20	0.15	0.34
		Simulated Divided Light Grilles	0.20	0.14	0.30
		Finelight Grilles	0.20	0.14	0.30
		Full Divided Light Grilles	-	-	-
A-Series Double-Hung AND-N-91	Low-E4*	Without Grilles	0.26	0.28	0.47
		Simulated Divided Light Grilles	0.26	0.25	0.42
		Finelight™ Grilles	0.26	0.25	0.42
		Full Divided Light Grilles	-	-	-
	Low-E4* Enhanced	Without Grilles	0.22	0.27	0.46
		Simulated Divided Light Grilles	0.22	0.25	0.40
		Finelight Grilles	0.22	0.25	0.40
		Full Divided Light Grilles	-	-	-
	Low-E4* Enhanced w/HeatLock®	Without Grilles	0.20	0.26	0.44
		Simulated Divided Light Grilles	0.20	0.24	0.39
		Finelight Grilles	0.21	0.24	0.39
		Full Divided Light Grilles	-	-	-
	Low-E4* SmartSun™	Without Grilles	0.26	0.19	0.43
		Simulated Divided Light Grilles	0.26	0.17	0.38
		Finelight Grilles	0.26	0.17	0.38
		Full Divided Light Grilles	-	-	-
	Low-E4* SmartSun™ Enhanced	Without Grilles	0.22	0.18	0.41
		Simulated Divided Light Grilles	0.22	0.17	0.36
		Finelight Grilles	0.22	0.17	0.36
		Full Divided Light Grilles	-	-	-
	Low-E4* SmartSun™ Enhanced w/HeatLock®	Without Grilles	0.20	0.18	0.40
		Simulated Divided Light Grilles	0.20	0.16	0.35
		Finelight Grilles	0.20	0.16	0.35
		Full Divided Light Grilles	-	-	-

Andersen® Product	High-Performance Triple-Pane Glass Type	U-Factor ¹	SHGC ²	VT ³	
A-Series Picture AND-N-88	Low-E4*	Without Grilles	0.24	0.28	0.47
		Simulated Divided Light Grilles	0.24	0.25	0.42
		Finelight™ Grilles	0.24	0.25	0.42
		Full Divided Light Grilles	-	-	-
	Low-E4* Enhanced	Without Grilles	0.20	0.27	0.45
		Simulated Divided Light Grilles	0.20	0.24	0.40
		Finelight Grilles	0.20	0.24	0.40
		Full Divided Light Grilles	-	-	-
	Low-E4* Enhanced w/HeatLock®	Without Grilles	0.18	0.26	0.44
		Simulated Divided Light Grilles	0.18	0.23	0.39
		Finelight Grilles	0.18	0.23	0.39
		Full Divided Light Grilles	-	-	-
	Low-E4* SmartSun™	Without Grilles	0.23	0.19	0.42
		Simulated Divided Light Grilles	0.23	0.18	0.38
		Finelight Grilles	0.24	0.18	0.38
		Full Divided Light Grilles	-	-	-
	Low-E4* SmartSun™ Enhanced	Without Grilles	0.20	0.19	0.41
		Simulated Divided Light Grilles	0.20	0.17	0.36
		Finelight Grilles	0.20	0.17	0.36
		Full Divided Light Grilles	-	-	-
	Low-E4* SmartSun™ Enhanced w/HeatLock®	Without Grilles	0.18	0.18	0.40
		Simulated Divided Light Grilles	0.18	0.16	0.35
		Finelight Grilles	0.18	0.16	0.35
		Full Divided Light Grilles	-	-	-
A-Series Venting Transom AND-N-90	Low-E4*	Without Grilles	0.25	0.25	0.42
		Simulated Divided Light Grilles	0.25	0.23	0.38
		Finelight™ Grilles	0.25	0.23	0.38
		Full Divided Light Grilles	-	-	-
	Low-E4* Enhanced	Without Grilles	0.21	0.24	0.40
		Simulated Divided Light Grilles	0.21	0.22	0.36
		Finelight Grilles	0.21	0.22	0.36
		Full Divided Light Grilles	-	-	-
	Low-E4* Enhanced w/HeatLock®	Without Grilles	0.20	0.23	0.39
		Simulated Divided Light Grilles	0.20	0.21	0.36
		Finelight Grilles	0.20	0.21	0.36
		Full Divided Light Grilles	-	-	-
	Low-E4* SmartSun™	Without Grilles	0.24	0.17	0.38
		Simulated Divided Light Grilles	0.24	0.16	0.34
		Finelight Grilles	0.25	0.16	0.34
		Full Divided Light Grilles	-	-	-
	Low-E4* SmartSun™ Enhanced	Without Grilles	0.21	0.16	0.36
		Simulated Divided Light Grilles	0.21	0.15	0.33
		Finelight Grilles	0.21	0.15	0.33
		Full Divided Light Grilles	-	-	-
	Low-E4* SmartSun™ Enhanced w/HeatLock®	Without Grilles	0.20	0.16	0.35
		Simulated Divided Light Grilles	0.20	0.15	0.32
		Finelight Grilles	0.20	0.15	0.32
		Full Divided Light Grilles	-	-	-
A-Series Fixed Transom AND-N-89	Low-E4*	Without Grilles	0.24	0.29	0.50
		Simulated Divided Light Grilles	0.24	0.26	0.44
		Finelight™ Grilles	0.24	0.26	0.44
		Full Divided Light Grilles	-	-	-
	Low-E4* Enhanced	Without Grilles	0.20	0.28	0.48
		Simulated Divided Light Grilles	0.20	0.26	0.42
		Finelight Grilles	0.20	0.26	0.42
		Full Divided Light Grilles	-	-	-
	Low-E4* Enhanced w/HeatLock®	Without Grilles	0.18	0.27	0.47
		Simulated Divided Light Grilles	0.18	0.24	0.41
		Finelight Grilles	0.18	0.24	0.41
		Full Divided Light Grilles	-	-	-
	Low-E4* SmartSun™	Without Grilles	0.23	0.20	0.45
		Simulated Divided Light Grilles	0.23	0.18	0.40
		Finelight Grilles	0.24	0.18	0.40
		Full Divided Light Grilles	-	-	-
	Low-E4* SmartSun™ Enhanced	Without Grilles	0.20	0.19	0.43
		Simulated Divided Light Grilles	0.20	0.17	0.38
		Finelight Grilles	0.20	0.17	0.38
		Full Divided Light Grilles	-	-	-
	Low-E4* SmartSun™ Enhanced w/HeatLock®	Without Grilles	0.18	0.19	0.42
		Simulated Divided Light Grilles	0.18	0.17	0.37
		Finelight Grilles	0.18	0.17	0.37
		Full Divided Light Grilles	-	-	-

* "Low-E4*", "Low-E4* SmartSun™", "Low-E4* Sun" and HeatLock® are Andersen trademarks for "Low-E" glass.

1) U-Factor defines the amount of heat loss through the total unit in BTU/hr/ft². °F. The lower the value, the less heat is lost through the entire product. Window values represent non-tempered glass. Use of tempered glass can increase U-Factor ratings. See andersenwindows.com/nfrc for specific performance values. Door values represent tempered glass. 2) Solar Heat Gain Coefficient (SHGC) defines the fraction of solar radiation admitted through the glass both directly transmitted and absorbed and subsequently released inward. The lower the value, the less heat is transmitted through the product. 3) Visible Transmittance (VT) measures how much light comes through a product (glass and frame). The higher the value, from 0 to 1, the more daylight the product lets in over the product's total unit area. Visible Transmittance is measured over the 380 to 760 nanometer portion of the solar spectrum.

• NFRC ratings are based on modeling by a third-party agency as validated by an independent test lab in compliance with NFRC program and procedural requirements.

• This data is accurate as of January 2018. Due to ongoing product changes, updated test results or new industry standards or requirements, this data may change over time. Ratings are for sizes specified by NFRC for testing and certification. Ratings may vary depending on unit size, use of tempered glass, different grille options, glass for high altitudes, etc.

• Values are for single units with given pane thickness and 3/4" (19mm) grilles for windows and 1" (25mm) grilles for door products.

continued on next page

Andersen® NFRC Certified Total Unit Performance – Triple-Pane Glass (continued)
For current performance information, please visit andersenwindows.com.

Andersen® Product	High-Performance Triple-Pane Glass Type	U-Factor ¹	SHGC ²	VT ³	
A-Series Specialty Direct-Set AND-N-126	Low-E4*	Without Grilles	0.22	0.33	0.56
		Simulated Divided Light Grilles	0.22	0.30	0.50
		Finelight™ Grilles	0.23	0.30	0.50
		Full Divided Light Grilles	-	-	-
	Low-E4* Enhanced	Without Grilles	0.17	0.32	0.54
		Simulated Divided Light Grilles	0.17	0.29	0.48
		Finelight Grilles	0.18	0.29	0.48
		Full Divided Light Grilles	-	-	-
	Low-E4* Enhanced w/HeatLock®	Without Grilles	0.16	0.31	0.53
		Simulated Divided Light Grilles	0.16	0.28	0.47
		Finelight Grilles	0.16	0.28	0.47
		Full Divided Light Grilles	-	-	-
	Low-E4* SmartSun™	Without Grilles	0.22	0.22	0.50
		Simulated Divided Light Grilles	0.22	0.20	0.45
		Finelight Grilles	0.23	0.20	0.45
		Full Divided Light Grilles	-	-	-
	Low-E4* SmartSun™ Enhanced	Without Grilles	0.17	0.21	0.49
		Simulated Divided Light Grilles	0.17	0.19	0.44
		Finelight Grilles	0.17	0.19	0.44
		Full Divided Light Grilles	-	-	-
	Low-E4* SmartSun™ Enhanced w/HeatLock®	Without Grilles	0.16	0.20	0.47
		Simulated Divided Light Grilles	0.16	0.19	0.42
		Finelight Grilles	0.16	0.19	0.42
		Full Divided Light Grilles	-	-	-
A-Series Specialty Sash-Set AND-N-128	Low-E4*	Without Grilles	0.23	0.30	0.50
		Simulated Divided Light Grilles	0.23	0.27	0.45
		Finelight™ Grilles	0.24	0.27	0.45
		Full Divided Light Grilles	-	-	-
	Low-E4* Enhanced	Without Grilles	0.18	0.29	0.48
		Simulated Divided Light Grilles	0.18	0.26	0.43
		Finelight Grilles	0.19	0.26	0.43
		Full Divided Light Grilles	-	-	-
	Low-E4* Enhanced w/HeatLock®	Without Grilles	0.17	0.28	0.47
		Simulated Divided Light Grilles	0.17	0.25	0.42
		Finelight Grilles	0.17	0.25	0.42
		Full Divided Light Grilles	-	-	-
	Low-E4* SmartSun™	Without Grilles	0.23	0.20	0.45
		Simulated Divided Light Grilles	0.23	0.18	0.40
		Finelight Grilles	0.23	0.18	0.40
		Full Divided Light Grilles	-	-	-
	Low-E4* SmartSun™ Enhanced	Without Grilles	0.18	0.19	0.43
		Simulated Divided Light Grilles	0.18	0.17	0.39
		Finelight Grilles	0.19	0.17	0.39
		Full Divided Light Grilles	-	-	-
	Low-E4* SmartSun™ Enhanced w/HeatLock®	Without Grilles	0.17	0.18	0.42
		Simulated Divided Light Grilles	0.17	0.17	0.38
		Finelight Grilles	0.17	0.17	0.38
		Full Divided Light Grilles	-	-	-
A-Series Specialty Sash-Set AND-N-128	Low-E4*	Without Grilles	0.29	0.24	0.41
		Simulated Divided Light Grilles	0.29	0.21	0.35
		Finelight™ Grilles	0.30	0.21	0.35
		Full Divided Light Grilles	-	-	-
	Low-E4* Enhanced	Without Grilles	0.26	0.24	0.39
		Simulated Divided Light Grilles	0.26	0.21	0.34
		Finelight Grilles	0.26	0.21	0.34
		Full Divided Light Grilles	-	-	-
	Low-E4* Enhanced w/HeatLock®	Without Grilles	0.24	0.23	0.38
		Simulated Divided Light Grilles	0.24	0.20	0.33
		Finelight Grilles	0.24	0.20	0.33
		Full Divided Light Grilles	-	-	-
	Low-E4* SmartSun™	Without Grilles	0.29	0.17	0.36
		Simulated Divided Light Grilles	0.29	0.15	0.31
		Finelight Grilles	0.30	0.15	0.31
		Full Divided Light Grilles	-	-	-
	Low-E4* SmartSun™ Enhanced	Without Grilles	0.26	0.16	0.35
		Simulated Divided Light Grilles	0.26	0.14	0.30
		Finelight Grilles	0.26	0.14	0.43
		Full Divided Light Grilles	-	-	-
	Low-E4* SmartSun™ Enhanced w/HeatLock®	Without Grilles	0.24	0.16	0.34
		Simulated Divided Light Grilles	0.24	0.14	0.30
		Finelight Grilles	0.24	0.14	0.30
		Full Divided Light Grilles	-	-	-
A-Series Frenchwood® Hinged Inswing Patio Door AND-N-92	Low-E4*	Without Grilles	0.28	0.22	0.37
		Simulated Divided Light Grilles	0.28	0.20	0.32
		Finelight™ Grilles	0.28	0.20	0.32
		Full Divided Light Grilles	-	-	-
	Low-E4* Enhanced	Without Grilles	0.25	0.22	0.36
		Simulated Divided Light Grilles	0.25	0.19	0.31
		Finelight Grilles	0.25	0.19	0.31
		Full Divided Light Grilles	-	-	-
	Low-E4* Enhanced w/HeatLock®	Without Grilles	0.24	0.21	0.35
		Simulated Divided Light Grilles	0.24	0.18	0.30
		Finelight Grilles	0.25	0.18	0.30
		Full Divided Light Grilles	-	-	-
	Low-E4* SmartSun™	Without Grilles	0.28	0.15	0.34
		Simulated Divided Light Grilles	0.28	0.13	0.29
		Finelight Grilles	0.28	0.13	0.29
		Full Divided Light Grilles	-	-	-
	Low-E4* SmartSun™ Enhanced	Without Grilles	0.25	0.15	0.32
		Simulated Divided Light Grilles	0.25	0.13	0.28
		Finelight Grilles	0.25	0.13	0.28
		Full Divided Light Grilles	-	-	-
	Low-E4* SmartSun™ Enhanced w/HeatLock®	Without Grilles	0.23	0.14	0.32
		Simulated Divided Light Grilles	0.23	0.12	0.27
		Finelight Grilles	0.24	0.12	0.27
		Full Divided Light Grilles	-	-	-
A-Series Frenchwood® Hinged Outswing Patio Door AND-N-93	Low-E4*	Without Grilles	0.28	0.23	0.37
		Simulated Divided Light Grilles	0.28	0.20	0.32
		Finelight™ Grilles	0.28	0.20	0.32
		Full Divided Light Grilles	-	-	-
	Low-E4* Enhanced	Without Grilles	0.25	0.22	0.36
		Simulated Divided Light Grilles	0.25	0.19	0.31
		Finelight Grilles	0.25	0.19	0.31
		Full Divided Light Grilles	-	-	-
	Low-E4* Enhanced w/HeatLock®	Without Grilles	0.23	0.21	0.35
		Simulated Divided Light Grilles	0.23	0.19	0.30
		Finelight Grilles	0.24	0.19	0.30
		Full Divided Light Grilles	-	-	-
	Low-E4* SmartSun™	Without Grilles	0.27	0.15	0.34
		Simulated Divided Light Grilles	0.27	0.14	0.29
		Finelight Grilles	0.28	0.14	0.29
		Full Divided Light Grilles	-	-	-
	Low-E4* SmartSun™ Enhanced	Without Grilles	0.25	0.15	0.32
		Simulated Divided Light Grilles	0.25	0.13	0.28
		Finelight Grilles	0.25	0.13	0.28
		Full Divided Light Grilles	-	-	-
	Low-E4* SmartSun™ Enhanced w/HeatLock®	Without Grilles	0.23	0.15	0.32
		Simulated Divided Light Grilles	0.23	0.13	0.27
		Finelight Grilles	0.24	0.13	0.27
		Full Divided Light Grilles	-	-	-
A-Series Frenchwood® Patio Door Sidelight Transom Direct-Set AND-N-96	Low-E4*	Without Grilles	0.25	0.31	0.53
		Simulated Divided Light Grilles	0.25	0.29	0.48
		Finelight™ Grilles	0.25	0.29	0.48
		Full Divided Light Grilles	-	-	-
	Low-E4* Enhanced	Without Grilles	0.21	0.30	0.51
		Simulated Divided Light Grilles	0.21	0.28	0.46
		Finelight Grilles	0.21	0.28	0.46
		Full Divided Light Grilles	-	-	-
	Low-E4* Enhanced w/HeatLock®	Without Grilles	0.19	0.29	0.50
		Simulated Divided Light Grilles	0.19	0.27	0.45
		Finelight Grilles	0.19	0.27	0.45
		Full Divided Light Grilles	-	-	-
	Low-E4* SmartSun™	Without Grilles	0.24	0.21	0.48
		Simulated Divided Light Grilles	0.24	0.19	0.43
		Finelight Grilles	0.25	0.19	0.43
		Full Divided Light Grilles	-	-	-
	Low-E4* SmartSun™ Enhanced	Without Grilles	0.20	0.20	0.46
		Simulated Divided Light Grilles	0.20	0.19	0.42
		Finelight Grilles	0.20	0.19	0.42
		Full Divided Light Grilles	-	-	-
	Low-E4* SmartSun™ Enhanced w/HeatLock®	Without Grilles	0.19	0.20	0.45
		Simulated Divided Light Grilles	0.19	0.18	0.41
		Finelight Grilles	0.19	0.18	0.41
		Full Divided Light Grilles	-	-	-

* "Low-E4™", "Low-E4* SmartSun™", "Low-E4* Sun" and HeatLock® are Andersen trademarks for "Low-E" glass.
 1) U-Factor defines the amount of heat loss through the total unit in BTU/hr/ft²·°F. The lower the value, the less heat is lost through the entire product. Window values represent non-tempered glass. Use of tempered glass can increase U-Factor ratings. See andersenwindows.com/nfrc for specific performance values. Door values represent tempered glass. 2) Solar Heat Gain Coefficient (SHGC) defines the fraction of solar radiation admitted through the glass both directly transmitted and absorbed and subsequently released inward. The lower the value, the less heat is transmitted through the product. 3) Visible Transmittance (VT) measures how much light comes through a product (glass and frame). The higher the value, from 0 to 1, the more daylight the product lets in over the product's total unit area. Visible Transmittance is measured over the 380 to 760 nanometer portion of the solar spectrum.
 • NFRC ratings are based on modeling by a third-party agency as validated by an independent test lab in compliance with NFRC program and procedural requirements.
 • This data is accurate as of January 2018. Due to ongoing product changes, updated test results or new industry standards or requirements, this data may change over time. Ratings are for sizes specified by NFRC for testing and certification. Ratings may vary depending on unit size, use of tempered glass, different grille options, glass for high altitudes, etc.
 • Values are for single units with given pane thickness and 3/4" (19mm) grilles for windows and 1" (25mm) grilles for door products.

continued on next page

PRODUCT PERFORMANCE

Andersen® NFRC Certified Total Unit Performance – Triple-Pane Glass (continued)
For current performance information, please visit andersenwindows.com.

Andersen® Product	High-Performance Triple-Pane Glass Type	U-Factor ¹	SHGC ²	VT ³	
A-Series Frenchwood® Patio Door Sidelight Transom Sash-Set AND-N-95	Low-E4®	Without Grilles	0.27	0.24	0.40
		Simulated Divided Light Grilles	0.27	0.22	0.35
		Finelight™ Grilles	0.27	0.22	0.35
		Full Divided Light Grilles	-	-	-
	Low-E4® Enhanced	Without Grilles	0.24	0.23	0.38
		Simulated Divided Light Grilles	0.24	0.21	0.34
		Finelight Grilles	0.24	0.21	0.34
		Full Divided Light Grilles	-	-	-
	Low-E4® Enhanced w/HeatLock®	Without Grilles	0.22	0.22	0.37
		Simulated Divided Light Grilles	0.22	0.20	0.33
		Finelight Grilles	0.22	0.20	0.33
		Full Divided Light Grilles	-	-	-
	Low-E4® SmartSun™	Without Grilles	0.26	0.16	0.36
		Simulated Divided Light Grilles	0.26	0.15	0.32
		Finelight Grilles	0.27	0.15	0.32
		Full Divided Light Grilles	-	-	-
	Low-E4® SmartSun™ Enhanced	Without Grilles	0.23	0.16	0.34
		Simulated Divided Light Grilles	0.23	0.14	0.31
		Finelight Grilles	0.24	0.14	0.31
		Full Divided Light Grilles	-	-	-
Low-E4® SmartSun™ Enhanced w/HeatLock®	Without Grilles	0.22	0.15	0.33	
	Simulated Divided Light Grilles	0.22	0.14	0.30	
	Finelight Grilles	0.22	0.14	0.30	
	Full Divided Light Grilles	-	-	-	
A-Series Frenchwood® Patio Door Transom Direct-Set AND-N-96	Low-E4®	Without Grilles	0.27	0.31	0.52
		Simulated Divided Light Grilles	0.27	0.28	0.47
		Finelight™ Grilles	0.27	0.28	0.47
		Full Divided Light Grilles	-	-	-
	Low-E4® Enhanced	Without Grilles	0.23	0.30	0.50
		Simulated Divided Light Grilles	0.23	0.27	0.45
		Finelight Grilles	0.23	0.27	0.45
		Full Divided Light Grilles	-	-	-
	Low-E4® Enhanced w/HeatLock®	Without Grilles	0.21	0.28	0.48
		Simulated Divided Light Grilles	0.21	0.26	0.44
		Finelight Grilles	0.21	0.26	0.44
		Full Divided Light Grilles	-	-	-
	Low-E4® SmartSun™	Without Grilles	0.27	0.21	0.46
		Simulated Divided Light Grilles	0.27	0.19	0.42
		Finelight Grilles	0.27	0.19	0.42
		Full Divided Light Grilles	-	-	-
	Low-E4® SmartSun™ Enhanced	Without Grilles	0.23	0.20	0.45
		Simulated Divided Light Grilles	0.23	0.19	0.40
		Finelight Grilles	0.23	0.19	0.40
		Full Divided Light Grilles	-	-	-
Low-E4® SmartSun™ Enhanced w/HeatLock®	Without Grilles	0.21	0.19	0.44	
	Simulated Divided Light Grilles	0.21	0.18	0.39	
	Finelight Grilles	0.21	0.18	0.39	
	Full Divided Light Grilles	-	-	-	
A-Series Frenchwood® Patio Door Transom Sash-Set AND-N-95	Low-E4®	Without Grilles	0.29	0.23	0.37
		Simulated Divided Light Grilles	0.29	0.20	0.33
		Finelight™ Grilles	0.29	0.20	0.33
		Full Divided Light Grilles	-	-	-
	Low-E4® Enhanced	Without Grilles	0.26	0.22	0.36
		Simulated Divided Light Grilles	0.26	0.20	0.32
		Finelight Grilles	0.26	0.20	0.32
		Full Divided Light Grilles	-	-	-
	Low-E4® Enhanced w/HeatLock®	Without Grilles	0.24	0.21	0.35
		Simulated Divided Light Grilles	0.24	0.19	0.31
		Finelight Grilles	0.24	0.19	0.31
		Full Divided Light Grilles	-	-	-
	Low-E4® SmartSun™	Without Grilles	0.28	0.16	0.33
		Simulated Divided Light Grilles	0.28	0.14	0.30
		Finelight Grilles	0.29	0.14	0.30
		Full Divided Light Grilles	-	-	-
	Low-E4® SmartSun™ Enhanced	Without Grilles	0.26	0.15	0.32
		Simulated Divided Light Grilles	0.26	0.14	0.29
		Finelight Grilles	0.26	0.14	0.29
		Full Divided Light Grilles	-	-	-
Low-E4® SmartSun™ Enhanced w/HeatLock®	Without Grilles	0.24	0.14	0.31	
	Simulated Divided Light Grilles	0.24	0.13	0.28	
	Finelight Grilles	0.24	0.13	0.28	
	Full Divided Light Grilles	-	-	-	

- "Low-E4™", "Low-E4 SmartSun™", "Low-E4 Sun™" and HeatLock® are Andersen trademarks for "Low-E" glass.
- 1) U-Factor defines the amount of heat loss through the total unit in BTU/hr/ft², °F. The lower the value, the less heat is lost through the entire product. Window values represent non-tempered glass. Use of tempered glass can increase U-Factor ratings. See andersenwindows.com/nfrc for specific performance values. Door values represent tempered glass. 2) Solar Heat Gain Coefficient (SHGC) defines the fraction of solar radiation admitted through the glass both directly transmitted and absorbed and subsequently released inward. The lower the value, the less heat is transmitted through the product. 3) Visible Transmittance (VT) measures how much light comes through a product (glass and frame). The higher the value, from 0 to 1, the more daylight the product lets in over the product's total unit area. Visible Transmittance is measured over the 380 to 760 nanometer portion of the solar spectrum.
- NFRC ratings are based on modeling by a third-party agency as validated by an independent test lab in compliance with NFRC program and procedural requirements.
- This data is accurate as of January 2018. Due to ongoing product changes, updated test results or new industry standards or requirements, this data may change over time. Ratings are for sizes specified by NFRC for testing and certification. Ratings may vary depending on unit size, use of tempered glass, different grille options, glass for high altitudes, etc.
- Values are for single units with given pane thickness and 3/4" (19mm) grilles for windows and 1" (25mm) grilles for door products.

Andersen® Product	High-Performance Triple-Pane Glass Type	U-Factor ¹	SHGC ²	VT ³	
A-Series Frenchwood® Patio Door Sidelight AND-N-94	Low-E4®	Without Grilles	0.28	0.21	0.35
		Simulated Divided Light Grilles	0.28	0.19	0.31
		Finelight™ Grilles	0.28	0.19	0.31
		Full Divided Light Grilles	-	-	-
	Low-E4® Enhanced	Without Grilles	0.25	0.21	0.34
		Simulated Divided Light Grilles	0.25	0.19	0.30
		Finelight Grilles	0.25	0.19	0.30
		Full Divided Light Grilles	-	-	-
	Low-E4® Enhanced w/HeatLock®	Without Grilles	0.23	0.20	0.33
		Simulated Divided Light Grilles	0.23	0.18	0.29
		Finelight Grilles	0.24	0.18	0.29
		Full Divided Light Grilles	-	-	-
	Low-E4® SmartSun™	Without Grilles	0.27	0.15	0.31
		Simulated Divided Light Grilles	0.27	0.13	0.28
		Finelight Grilles	0.28	0.13	0.28
		Full Divided Light Grilles	-	-	-
	Low-E4® SmartSun™ Enhanced	Without Grilles	0.25	0.14	0.30
		Simulated Divided Light Grilles	0.25	0.13	0.27
		Finelight Grilles	0.25	0.13	0.27
		Full Divided Light Grilles	-	-	-
Low-E4® SmartSun™ Enhanced w/HeatLock®	Without Grilles	0.23	0.14	0.30	
	Simulated Divided Light Grilles	0.23	0.12	0.26	
	Finelight Grilles	0.24	0.12	0.26	
	Full Divided Light Grilles	-	-	-	

Andersen® Products Total Unit Recycled Content Percentages
For current information, please visit andersenwindows.com.

Andersen® Product	NFRC Rated Window Size	% Pre-Consumer Recycled Content
A-Series Windows and Patio Doors		
Casement Window	24" (610) x 48" (1219)	10%
Complementary Casement Window	24" (610) x 48" (1219)	5%
Awning Window	48" (1219) x 24" (610)	10%
Double-Hung Window	47" (1194) x 59" (1499)	10%
Picture Window	47" (1194) x 59" (1499)	6%
Fixed Transom Window	47" (1194) x 59" (1499)	5%
Venting Transom Window	47" (1194) x 59" (1499)	10%
Specialty Window	47" (1194) x 59" (1499)	5%
Frenchwood® Gliding Patio Door	79" (2007) x 79" (2007)	4%
Frenchwood® Hinged Inswing Patio Door	38" (965) x 82" (2083)	3%
Frenchwood® Hinged Outswing Patio Door	38" (965) x 82" (2083)	3%
Frenchwood® Patio Door Sidelight	24" (610) x 79" (2007)	3%
Frenchwood® Patio Door Transom	79" (2007) x 24" (610)	3%
Complementary Springline™ Patio Door	38" (965) x 82" (2083)	3%
Complementary Arch Patio Door	38" (965) x 82" (2083)	3%
Entranceways		
Residential Rectangular Entry Door	38" (965) x 82" (2083)	3%
Residential Springline™ Entry Door	38" (965) x 82" (2083)	3%
Residential Arch Entry Door	38" (965) x 82" (2083)	3%
Commercial Rectangular Outswing Entry Door	38" (965) x 82" (2083)	4%

- "% Pre-Consumer Recycled Content" is verified by SCS Global Services (SCS) to meet ISO 14021 standards based on NFRC sizing. Actual recycled content dependent on product size.
- Dimensions in parentheses are in millimeters.

About the NFRC

The National Fenestration Rating Council (NFRC) is a nonpartisan coalition of professionals whose purpose is to provide fair, accurate and credible energy performance ratings for fenestration products. NFRC's membership includes manufacturers, suppliers, designers, specifiers, utility companies, government agencies and other building industry representatives.

Andersen Corporation is a founding member of the NFRC and continues to support its work by providing fair, accurate and credible energy performance ratings to consumers and the building industry. If you have any questions about the NFRC, its program or energy performance ratings, write them at: NFRC, 6305 Ivy Lane, Suite 140, Greenbelt, MD 20770, Tel: (301) 589-1776 Website: www.nfrc.org

About the Label

Look for this certification label on every window and patio door you buy. The NFRC section was designed by the National Fenestration Rating Council to provide accurate information that helps you promote the energy efficiency of the homes you build. These ratings allow you – and your customers – to measure and compare the energy performance of similar products. If the product does not have this label, the NFRC has not verified its claims.

Do not remove until final code inspection. Save label for future reference.

ENERGY STAR® Certified in Highlighted Regions
Certifié ENERGY STAR dans les régions en surbrillance

Canada
energystar.gc.ca

ENERGY STAR

U.S. / É.U.
energystar.gov

ER/RE 20

DO NOT REMOVE UNTIL FINAL INSPECTION/NE PAS RETIRER AVANT L'INSPECTION FINALE

NFRC
National Fenestration Rating Council®
CERTIFIED

Andersen
WINDOWS • DOORS
AW

A-Series Casement Window
AND-N-86-02568-00001
Composite/Wood Combination
Dual-Pane Low-E SmartSun HeatLock Glazing with Argon
Product Type: Casement

ENERGY PERFORMANCE RATINGS

U-Factor	Solar Heat Gain Coefficient
0.24 (U.S./HP)	0.17
1.36 (Metric/SI)	

ADDITIONAL PERFORMANCE RATINGS

Visible Transmittance	
0.40	

Manufacturer stipulates that these ratings conform to applicable NFRC procedures for determining whole product performance. NFRC ratings are determined for a fixed set of environmental conditions and a specific product size. NFRC does not recommend any product and does not warrant the suitability of any product for any specific use. Consult manufacturer's literature for other product performance information.
www.nfrc.org

WINDOW & DOOR MANUFACTURERS ASSOCIATION
WDMA
Hallmark Certified
www.wdma.com

Licensee: 129-H-816
Andersen Corporation
A-Series Casement Window
Manufacturer stipulates Hallmark Certification as indicated below.

STANDARD	RATING
AAMA/WDMA/CSA 101/1.S.2/A440-11	Class LC-PG50 Size Tested 35.3" X 71.3" DP=50/-50
AAMA/WDMA/CSA 101/1.S.2/A440-08	Class H-LC50 Size Tested 35.3" X 71.3" DP=50/-50
AAMA/WDMA/CSA 101/1.S.2/A440-08 A440S1-09	Class LC-PG50 - 895mm x 1353mm Positive/Negative Design Pressure (DP) = 2400 Pa/-2400 Pa Water Penetration Resistance Test Pressure = 510 Pa Canadian Air Infiltration/Exfiltration = A1
FL 13081	
Glazing: 3.0mm AN outer/3.0mm AN inner	
	Complies with HUD UM Bulletin No. 111

Meets or exceeds CEC & IECC Air Infiltration Requirements of 0.2 CFM/sq.ft. or lower.
WDMA Hallmark Certification Program

Energy Rating (ER) represents "Energy Rating" and is a rating used in Canada for product comparison purposes (the higher the ER number, the more energy saved during the heating season).

ENERGY STAR® Climate Zone Map is based on U-factor and solar heat gain coefficient criteria for specific ENERGY STAR climate zones within the United States and Canada. The shading of the map shows which climate zone(s) a particular product and glass type is ENERGY STAR certified in.

Solar Heat Gain Coefficient measures how well a product blocks heat caused by sunlight (the lower the number, the more it will help reduce the use of air conditioning and as a result reduce electrical bills and energy use).

Performance Grade (PG) and Design Pressure (DP) Ratings

Glass Construction used with this product type

U-Factor indicates how well a product prevents heat from escaping (the lower the number, the better).

Visible Transmittance refers to how much visible light comes through a product (the closer to 1.0, the more light is transmitted).

WDMA Hallmark Certification verifies the performance ratings of this product were tested by a third-party testing laboratory.

Test Standards

• NFRC ratings are based on modeling by a third-party agency as validated by an independent test lab in compliance with NFRC program and procedural requirements.



IMPROVING THE VIEW OUTSIDE THE ENVIRONMENT HAS A BUSINESS PARTNER

Respect for the environment is nothing new at Andersen. For more than a century, it's been part of who we are. Our commitment to recycle and reclaim materials began simply because it was good business. Now it's part of our commitment to sustainability and responsible stewardship of all our resources. Andersen is committed to providing you with long-lasting,* energy-efficient windows and doors. Visit andersencorporation.com/sustainability for more information.



Andersen products are certified under the National Fenestration Rating Council's voluntary third-party certification program designed to ensure accurate energy performance ratings and labeling.



Andersen was one of the first U.S. window manufacturers to receive Forest Stewardship Council® (FSC®) Chain-of-Custody certification (FSC-CO16636). This certification is awarded to companies that meet FSC standards for traceability in their wood supply chain.



The Window & Door Manufacturers Association (WDMA) Hallmark Certification program includes product testing and quality-control process audits to verify that Andersen windows and doors are produced in conformance with the industry standards for air, water resistance and structural performance.



Andersen Corporation is proud to be an ENERGY STAR® partner. For over 100 years, Andersen has built a reputation for environmental stewardship and energy-efficient products. In fact, Andersen has been part of the ENERGY STAR program since it started and was the first window manufacturer to be named an ENERGY STAR National Window Partner of the Year in 1999.

* Visit andersenwindows.com/warranty for details.
All logos and marks are trademarks of their respective owners.

Andersen® windows and doors can make significant contributions to the success of sustainable design strategies.

As a charter member of the U.S. Green Building Council, we are active supporters of certified green buildings. Our products can help customers in pursuing green building programs, such as Leadership in Energy and Environmental Design (LEED®), the National Green Building Standard, Green Globes, GreenStar and more.

Below is an overview of how our products may assist project teams with pursuing LEED v4 or the NAHB National Green Building Standard rating systems. More detailed credit summaries, as well as information about how Andersen products can support earlier versions of LEED certification (e.g., **LEED v3** or **LEED 2008**), are available at andersenwindows.com.

LEED v4 FOR BUILDING DESIGN AND CONSTRUCTION: NEW CONSTRUCTION AND MAJOR RENOVATIONS

Integrative Process Credit:

Energy & Atmosphere

- Minimum energy performance prerequisite
- Optimize energy performance credit
- Renewable energy production credit
- Green power and carbon offsets credit

Materials & Resources

- Construction and demolition waste management planning credit
- Building product disclosure and optimization sourcing of raw materials credit
- Construction and demolition waste management credit

Indoor Environmental Quality

- Minimum indoor air quality performance prerequisite
- Minimum acoustic performance prerequisite – schools
- Enhanced indoor air quality strategies credit
- Low-emitting materials credit
- Thermal comfort credit
- Daylight credit
- Quality views credit
- Acoustic performance credit (option 2)

LEED v4 FOR BUILDING DESIGN AND CONSTRUCTION: HOMES AND MULTI-FAMILY MIDRISES

Energy & Atmosphere

- Minimum energy performance prerequisite
- Education of the homeowner, tenant or building prerequisite
- Annual energy use credit
- Building orientation for passive solar credit
- Air Infiltration credit
- Windows credit

Materials & Resources

- Durability management prerequisite
- Environmentally preferable products credit
- Construction waste management credit

Indoor Environmental Quality

- Ventilation prerequisite
- Low-emitting products credit

ANSI ICC/ASHRAE 700-2015 NATIONAL GREEN BUILDING STANDARD

NGBS section numbers are referenced in parentheses.

Resource Efficiency

- Prefinished materials (601.7)
- Flashing (602.12)
- Exterior doors, including storm doors (602.1.10)
- Recycled construction materials (605.3)
- Bio-based products (606.1)
- Wood-based products (606.2)
- Manufacturer's environmental management system concepts (611.1)

Energy Efficiency

- Mandatory requirements (701.1)
- Building thermal envelope air sealing (701.4.3.1)
- Multi-family air leakage alternative (701.4.3.3)
- Fenestration air leakage (701.4.3.4)
- ICC IECC analysis (702.2.1)
- Energy performance analysis (702.2.2)
- UA improvement (703.2.1)
- Fenestration (703.2.5)
- Sun-tempered design (703.7.1)
- Passive cooling design (703.7.3)
- Passive solar heating design (703.7.4)

Indoor Environmental Quality

- Wood materials (901.4)
- Interior architectural coatings (901.9)
- Interior adhesives & sealants (901.10)
- Operable windows & sliding glass doors (902.1.5)

Energy Efficient

- Homeowner's manual (1001.1)
- Building construction manual (1002.1)

INSTALLATION ACCESSORIES

Listed are optional accessories available for the installation of Andersen® windows and doors. You'll also find key considerations regarding the use and installation of every Andersen product. Keep the instruction guidelines and safety information in mind when considering the installation and use of any Andersen product. Should you have any questions, contact your local Andersen supplier. Thank you for considering and using Andersen products.

COIL STOCK

Andersen aluminum coil stock can be ordered to match any of our 11 trim colors. Made from .018-thick aluminum, coil stock is available in 24" (610) x 50' (15240) rolls. Color-matched 1 1/4" (32) stainless steel trim nails are also available and can be ordered in 1 lb or .454 kg boxes.



FIBREX® TRIM BOARD



Andersen offers a 3 1/2" (89) wide by 3/4" (19) thick cellular Fibrex trim board in 10' (3048) lengths. Available in the same 11 colors as the exterior trim system, this solid trim board can be cut or ripped to size and can be fastened using nails or screws.

CONTINUOUS DRIP CAP



Included on A-Series with vertical (ribbon) joints. Heavy 24-gauge corrosion-resistant aluminum construction. Available in 6' (1829), 10' (3048) and 12'-7 1/2" (3848) lengths and in any of the 11 trim colors.

EXTENSION JAMBS



Available for most Andersen products. See individual sections for details.

COLOR-MATCHED SEALANT

Color-matched sealant is available in Andersen exterior colors. This high-quality sealant can be used during the installation of all Andersen products.

VINYL CHANNELS AND LAMINATED BOARD



Rigid vinyl "J", "h" and "H" channel and vinyl laminated board.

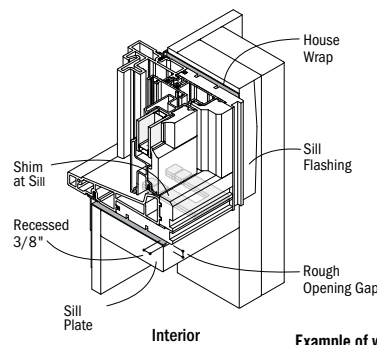
	COLOR	LENGTH	DEPTH	WIDTH
Fibrex® Trim Board	11 colors	120" (3048)	3/4" (19)	3 1/2" (89)
Vinyl Laminated Board	W,S,T	96" (2438)	1/2" (13)	24" (610)
	W	96" (2438) & 120" (3048)	1/2" (13)	48" (1219)
Rigid Vinyl "H" Channel	W	84" (2134) & 150" (3810)	3/4" (19)	1" (25)
	S,T	84" (2134) & 150" (3810)	3/4" (19)	3/4" (19)
Rigid Vinyl "h" Channel	W,S,T	150" (3810)	1/2" (13)	1" (25)
Rigid Vinyl "J" Channel	W,S,T	150" (3810)	1/2" (13)	3/4" (19)

INSTALLATION INFORMATION

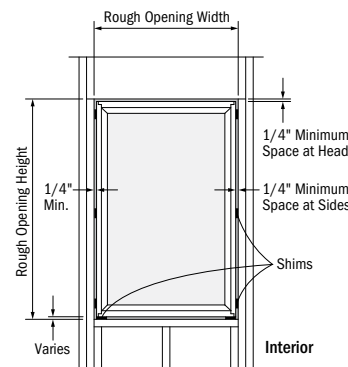
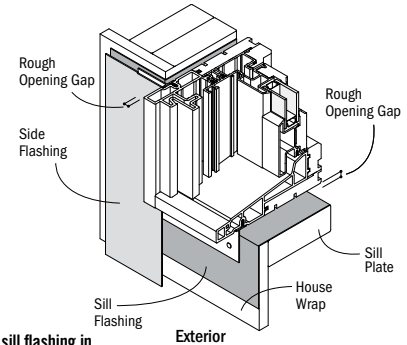
ROUGH OPENINGS

The purpose of a rough opening is to allow for proper spacing between the window or patio door unit and the building structure. The space is required for locating, leveling and squaring the unit during installation and to provide an area for insulation. A rough opening that is incorrectly sized may affect unit operation and may not allow for adequate fastening of the unit to the building structure. Andersen rough opening dimensions are provided as a guideline to help determine the minimum amount of space needed between the window or patio door and the building structure. See appropriate product sections for rough opening guidelines for each product.

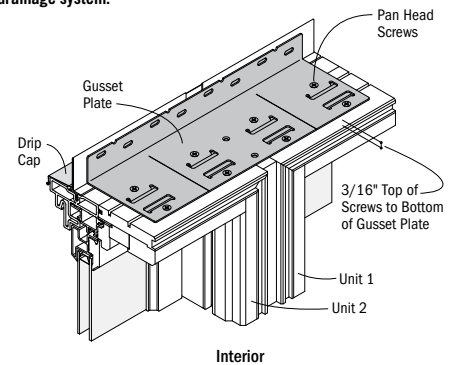
Keep in mind that rough opening dimensions may need to be altered from published guidelines, depending on installation methods, joining methods, replacement methods, etc. For example, flashing systems can reduce the amount of available rough opening space and should be factored in when calculating rough opening dimensions. The use of support or joining materials will encroach on the rough opening and may require additional rough opening space between the unit and the building structure, depending on the thickness of the flashing system and joining materials used. To facilitate drainage, the sill plate should never slope toward the interior. For challenging environments and other information, refer to EEBA's (Energy and Environmental Building Association) Water Management Guide (www.eeba.org).



Example of window sill flashing in a membrane drainage system.



Example of window unit installed using Andersen published minimum rough opening dimensions.



Example of two units joined together with the use of gusset plates and pan head screws that will require additional rough opening space.

IMPORTANCE OF PROPER INSTALLATION

Proper installation and maintenance of Andersen products is essential to attain optimum performance and operation. Installation instructions that provide guidelines for proper installation are typically provided with Andersen products. They are also available by visiting andersenwindows.com. Remember that every installation is different, and Andersen strongly recommends consultation with the local supplier or an experienced contractor, architect or structural engineer prior to the installation of any Andersen product. The method of attachment for Andersen products, fastener selection and code compliance is the responsibility of the architect, building owner, contractor, installer and/or consumer. For more complete installation details, visit andersenwindows.com or see your Andersen supplier.

GENERAL NOTES

When ordering, make certain you specify, then verify, the exact product, unit dimensions, configuration requirements, color and options you desire on each window or patio door. Before installing the product, we suggest you verify that it includes the features and options you ordered. Visit andersenwindows.com for product installation and joining guides. Printing limitations prohibit exact color duplication of products. View actual samples for building specifications. Andersen Corporation reserves the right to change details, specifications or sizes without notice. The customer assumes all risk of alterations made to Andersen® products.

CODES

Appropriate selection of Andersen products that conform to all applicable laws, ordinances, building codes and safety requirements is the sole responsibility of the architect, designer, building owner and/or contractor. Check with your local building code officials for specific information. Unit wind load, performance grade and energy performance information is provided on pages 206-233. For up-to-date product performance information, visit andersenwindows.com. The performance of any building system depends on the design and construction of the building system in its entirety, which should meet building code requirements, as well as address product and material limitations and local environment and climate.

DRIP CAPS

Drip caps are a specific type of flashing or trim that is used at the head of a window or door to direct water from the drainage plane out beyond the face of the unit.

FLASHING

Flashing is an important element in a building's water management system. It is used to shed and direct water to the building exterior or to the drainage plane. Flashing materials are typically applied starting from the bottom and working upward, with each successive layer overlapping the previous one in shingle fashion. Water infiltration problems in any type of building can be reduced by properly flashing and/or sealing around all building openings, including windows and doors.

USE OF SHIMS

Shims are used along the side jambs of windows and doors to center the unit in the rough opening and to position it plumb, level and square. In addition, shims are always required for windows only under the sill at the side jambs to lift it off the sill plate. Shims also enable a straight frame for proper weatherstrip contact and unit operation. If not placed properly, unit performance and operation can be affected. Use waterproof shims capable of supporting the weight of the product. When using tapered shims, use them in pairs with the tapers opposing each other to avoid tilting the unit or twisting (rotating) of the jambs.

SEALANTS

Sealants are elastic materials used to block the passage of water and/or air while allowing movement between the two sides of the joint. A sealant should bond tightly and be able to expand and contract to accommodate joint movement without cracking or tearing away from the substrate. Surfaces must be clean, dry and sound for adequate sealant adhesion. Choose a sealant that is compatible with, and that will adhere adequately to, all building materials used in the window and patio door area. Proper sealant joint design is based upon the expected movement of adjacent materials and the movement capability

Dimensions in parentheses are in millimeters.

of the sealant. A general rule of thumb is that the depth of the sealant joint should be equal to half the width ($D = W/2$), but generally not less than $1/4"$ (6) or more than $1/2"$ (13). Foam-plastic backer rod can be used to limit the depth of the sealant joint, to provide a backstop for tooling the sealant without damage to the bond. It also acts as a bond breaker to help minimize stress in the sealant. Sealants should be maintained seasonally and repaired and/or replaced as needed.

GENERAL INSTALLATION GUIDELINES

1. Read and follow the installation guide in its entirety.
2. Decide whether you are integrating to a surface barrier or a membrane drainage system before installing the product. The appropriate method for your installation may vary based on building design, application and industry practices.
3. Make certain the drainage plane is continuous (proper overlaps to shed water, taped seams, etc.).
4. Andersen products should be installed only in the vertical position.
5. Check the rough opening to make sure it is sized properly, is square and is level.
6. Install the window plumb.
7. Install the window level.
8. Install the window square. Diagonal measurements should be within $1/8"$ (3).
9. Follow installation instructions to properly locate shims and to make sure that units are plumb, level and square. Shims are always required under the window jambs at the sill and along the jambs on the sides.
10. Check for squareness of unit before final anchoring of the product into the wall.
11. Anchor window as directed with appropriate fasteners.
12. Integrate the window into the drainage plane of the wall using quality flashing and sealing materials. All flashing materials should be properly overlapped to shed water.
13. Allow $1/4"$ (6) minimum space for a sealant joint around perimeter of unit between exterior finish materials and unit.
14. Insulate and seal the interior cavity between the window frame and the rough opening.
15. Check unit operation before application of interior trim.
16. Stain and/or seal all unfinished wood surfaces promptly to minimize moisture absorption.

EXTERIOR PAINTING/SEALING OF ANDERSEN® PRODUCTS

The exterior of some Andersen products may be painted or stained. However, improper painting and staining may cause damage to vinyl, aluminum and other exterior materials.

CAUTIONS

1. Do not apply any type of film to insulating glass. Thermal stress and glass damage can result. Andersen Corporation is not responsible for product performance when films are applied to Andersen products.
2. The use of removable insulating materials such as insulated window coverings, shutters and other shading devices may also cause thermal stress conditions and/or deformation of protective vinyl. In addition, excessive condensation may result, which can have a deteriorating effect on the window or patio door unit(s) involved. Andersen Corporation is not responsible for product performance when these kinds of materials or devices are

- applied to or used in conjunction with Andersen products.
3. In wall construction utilizing brick facades, leave adequate clearance between sill, jambs and brick for sealing and dimensional change of framework.
 4. Acid solutions commonly used to wash brick and other masonry materials will damage glass, fasteners, hardware and metal flashing. Protect unit and follow cleaning product instructions carefully. Damage caused by acid solution is not covered under the Andersen limited warranty.
 5. Andersen windows may be combined in almost unlimited ribbons or stacks if each unit is positively secured to structural elements on opposing sides and if the proper joining system is used. See page 206 for more information.

SAFETY GLASS

Unless specifically ordered, Andersen windows are not made with safety glass and, if broken, the glass could fragment, causing injury. Andersen windows may be ordered with tempered glass which may reduce the likelihood of injury when broken. All Andersen patio doors are made with tempered glass. Differences in appearance between tempered and non-tempered glass can be expected. Slight visual distortions may be noticeable and occur normally as a result of the tempering process. Building codes require safety glass in locations adjacent to or near doors and other locations.

WINDOW AND PATIO DOOR SAFETY

Windows may provide a secondary avenue of escape or rescue in an emergency, such as a fire. Every family should develop an escape plan and make sure family members know how to escape from the home in an emergency. In your plan, include two ways to escape from every room in case one way is blocked by fire or smoke, and make sure you have a designated meeting place outside. A window or a door is an alternate means of escape or rescue. Practice your plan until each member of the family understands it and is able to escape without assistance. Remember, you may not be able to reach children during a fire emergency. Teach children – even very young children – that they must escape from a fire in the home and never hide from the fire or from emergency personnel.

LOOKOUT FOR KIDS® PROGRAM

The Consumer Product Safety Commission has said: "Keep children away from open windows to prevent falls. Don't depend on insect screens to keep the child from falling out of the window. They are designed to keep insects out, not children in. Avoid placing furniture near windows to keep children from climbing to a window seat or sill." In an effort to educate consumers about the potential for child falls from windows, Andersen Corporation created the LookOut For Kids Program. It combines a window and door safety brochure and specific product instructions to help make window and door safety an important priority for consumers. For more information on child safety, write:

Andersen Corporation
LookOut For Kids Program
100 Fourth Avenue North
Bayport, MN 55003
Call: 1-800-313-8889 Email: lofk@andersencorp.com

**Look
OUT!**
for kids®

Limited Warranty

A-SERIES

**OWNER2OWNER
LIMITED WARRANTY**

Para ver la versión, en español, de esta Garantía limitada y Proceso de resolución de controversias, visite andersenwindows.com

LIMITED WARRANTY AND DISPUTE RESOLUTION PROCESS

IMPORTANT: Please carefully read the Dispute Resolution Process that appears in this document after the Limited Warranty. The Dispute Resolution Process includes class action and jury trial waivers that affect your legal rights. To opt out of these waivers, you must visit our website at www.andersenwindows.com/optout and complete the opt-out form within one year from the date of purchase of your Andersen® products from a dealer or retailer. The opt-out only applies to the terms of the Dispute Resolution Process.

A-Series Windows & Doors Limited Warranty

Transferable Limited Warranty on Glass

The glass in Andersen® factory glazed A-Series window and door units (including dual-pane glass, High-Performance Low-E4® glass, High-Performance Low-E4® Sun glass, High-Performance Low-E4® SmartSun glass, High-Performance Low-E4® PassiveSun glass, Heatlock™ glass, Low-E glass, patterned glass (including obscure, pebble, fern, reed and cascade designs), Finelight™ grilles, divided light grilles and tempered versions of these glass options) is warranted to be free from defects in manufacturing, materials and workmanship for twenty (20) years from the date of purchase from the retailer/dealer. It is also warranted not to develop, under normal conditions, any material obstruction of vision resulting from manufacturing defects or as a result of premature failure of the glass or organic seal for twenty (20) years from the date of purchase from the retailer/dealer. Patterned glass (including obscure, pebble, fern, reed and cascade designs) is warranted not to develop, under normal conditions, any material change in appearance resulting from manufacturing defects or as a result of premature failure of the glass or organic seal for twenty (20) years from the date of purchase from the retailer/dealer. This limited warranty on glass does not apply to special order glazings, Andersen® art glass, insulated art glass, impact-resistant glass or glass that is not factory installed by Andersen.

In the event a glass failure occurs as a result of a defect in manufacturing, materials or workmanship within the limited warranty period, Andersen, at its option, will: (1) provide the appropriate replacement glass product to the Andersen retailer/dealer you specify — labor is not included; or (2) provide a factory-authorized repair to the existing glass at no cost to you; or (3) refund the original purchase price. Such replacement parts or repairs are warranted for the remainder of the original limited warranty period.

Transferable Limited Warranty on Components Other Than Glass

Non-glass portions of Andersen® A-Series windows and doors (including non-electric operators, locks, lifts, balance systems, hinges, handles, insect screens, weatherstripping, exterior trim, sash and frame members) are warranted to be free from defects in manufacturing, materials and workmanship for a period of ten (10) years from the date of purchase from the retailer/dealer. This limited warranty does not apply to Andersen electric window operators, retractable insect screens or finishes on bright brass and satin nickel door hardware.

In the event a component other than glass fails as a result of a defect in manufacturing, materials or workmanship within the limited warranty period, Andersen, at its option, will: (1) provide replacement parts to the Andersen retailer/dealer you specify — labor is not included; or (2) provide a factory-authorized repair to the existing component at no cost to you; or (3) refund the original purchase price. Such replacement parts or repairs are warranted for the remainder of the original limited warranty period.

Transferable Limited Warranty on Corrosion-Resistant Hardware and Outswing Patio Door Hinges

Corrosion-resistant hardware (includes casement and awning operator and sash attachment bracket, hinges, lock mechanism for inswing and outswing patio doors and outswing patio door corrosion-resistant hinges) is warranted to be free from mechanical failure due to corrosion caused by an electrolytic chemical reaction involving atmospheric salts, such as what may occur in coastal applications for a period of ten (10) years from the date of purchase from the retailer/dealer. What is not covered by this corrosion-resistant hardware warranty: any and all aesthetic discoloration or pitting that may occur due to environmental conditions. Minimum maintenance such as cleaning with a mild detergent on a regular basis may be necessary to maintain the original hardware appearance.

The finish on corrosion-resistant outswing patio door hinges is warranted to be free from defects in manufacturing, materials and workmanship and warranted not to tarnish, peel, pit, flake, discolor or corrode for a period of ten (10) years from the date of purchase from the retailer/dealer.

In the event there is a mechanical failure of the corrosion-resistant hardware, lock mechanism for inswing or outswing patio doors or the exterior hinges of an outswing hinged patio door or there is a defect in the finish on corrosion-resistant outswing patio door hinges within the limited warranty period, Andersen, at its option, will: (1) provide replacement parts to the Andersen retailer/dealer you specify - installation labor is not included; or (2) refund the original purchase price. Such replacement parts are warranted for the remainder of the original limited warranty period.

Transferable Limited Warranty on Exterior Coatings

The coatings on exterior components (frame, sash, panel, window sills, patio door sills, grilles and exterior trim) on casement, awning, double-hung, picture, and transom windows, patio doors (inswing outswing, gliding) and sidelights are warranted not to develop corrosion caused by an electrolytic chemical reaction involving atmospheric salts, such as what may occur in coastal applications, for as long as the product is installed in its original structure.

What is not covered by this exterior coatings warranty: A-Series specialty windows and complementary patio doors, accessories and hardware such as insect screens, coil stock, hinges, handle trim sets and lock components.

In the event there is a defect covered by this limited warranty for exterior coatings within the limited warranty period, Andersen, at its option will: 1) refinish the product — labor is included (the finish will be applied with standard commercial refinishing techniques and may not be the same finish as originally applied to the product), 2) repair the product, 3) provide replacement part(s) or product(s) to the Andersen retailer/dealer you specify — labor is not included or 4) refund the original purchase price. Such replacement parts or repairs are warranted for the remainder of the original limited warranty period.

Transferable Limited Warranty on Exterior Color Finish

The color finish on exterior components (frame, sash, panel, window sills and grilles) on Andersen® A-Series casement, awning, double-hung, picture, transom windows, specialty windows, complementary windows, patio doors (inswing, outswing, gliding and sidelights) and complementary patio doors is warranted not to blister, crack, peel or lose adhesion for a period of twenty (20) years from the date of purchase from the retailer/dealer.

The color finish on exterior components (frame, sash, panel, window sills and grilles) on Andersen® A-Series casement, awning, double-hung, picture, transom windows, specialty windows, complementary windows, patio doors (inswing, outswing, gliding and sidelights) and complementary patio doors is warranted to be free from manufacturing defects resulting in color fade greater than 5 delta E* (when measured in accordance with ASTM D2244) for a period of ten (10) years from the date of purchase from the retailer/dealer.

What is not covered by this exterior color finish warranty: accessories and hardware, including insect screen frames, patio door sills, hinges, handles, trim sets and lock components, exterior trim profiles, exterior aluminum coil stock and complementary patio door insert panels.

In the event there is a defect covered by this limited warranty for exterior color finish within the limited warranty period, Andersen, at its option, will: 1) refinish the product - labor is included (the finish will be applied with standard commercial refinishing techniques and may not be the same finish as originally applied to the product), 2) repair the product, 3) provide replacement part(s) or product(s) to the Andersen retailer/dealer you specify - labor is not included or 4) refund the original purchase price. Such replacement parts or repairs are warranted for the remainder of the original limited warranty period.

*Technical measurement of color fade

Transferable Limited Warranty for A-Series Products with Stormwatch® Protection (Glazed with Impact-Resistant Glass)

Andersen® A-Series window and door units glazed with impact-resistant glass are warranted to be free from defects in manufacturing, materials and workmanship for ten (10) years from the date of purchase from the retailer/dealer. The glass in A-Series windows and doors with impact-resistant glass is also warranted not to develop, under normal conditions, any material obstruction of vision resulting from manufacturing defects or as a result of premature failure of the glass or organic seal for ten (10) years from the date of purchase from the retailer/dealer. This limited warranty does not apply to special glazings, Andersen art glass, insulated art glass, glass that is not factory installed by Andersen, Andersen electric window operators, retractable insect screens and the finish on bright brass or satin nickel door hardware.

In the event a component fails as a result of a defect in manufacturing, materials or workmanship within the limited warranty period, Andersen, at its option, will: (1) provide replacement parts to the Andersen retailer/dealer you specify — installation labor is not included; or (2) provide a factory authorized repair to the existing component at no cost to you; or (3) refund the original purchase price. Such replacement parts or repairs are warranted for the remainder of the original limited warranty period.

No Other Warranties or Representations

THIS LIMITED WARRANTY IS IN LIEU OF ALL OTHER WARRANTIES, EXPRESS OR IMPLIED, INCLUDING, BUT NOT LIMITED TO, ANY IMPLIED WARRANTIES OF MERCHANTABILITY OR FITNESS FOR A PARTICULAR PURPOSE. ALL WARRANTIES ARE LIMITED TO THE APPLICABLE STATUTE OF LIMITATIONS BUT IN NO CASE WILL EXTEND BEYOND THE LIMITED WARRANTY PERIODS SPECIFIED ABOVE. ANDERSEN EXCLUDES AND WILL NOT BE LIABLE FOR ANY INCIDENTAL OR CONSEQUENTIAL DAMAGES, WHETHER ARISING OUT OF CONTRACT, TORT OR OTHERWISE. THE REMEDY OF REPAIR, REPLACEMENT OR REFUND OF THE ACTUAL PURCHASE PRICE OF THE PRODUCT PROVIDED BY THIS LIMITED WARRANTY IS THE EXCLUSIVE REMEDY WITH RESPECT TO ANY AND ALL LOSS OR DAMAGE.

Applicable Law

This Limited Warranty is only applicable in the U.S.A. (i.e. the fifty states and the District of Columbia). This Limited Warranty gives you specific legal rights, and you may also have other rights which may vary from state to state. Some states do not allow the exclusion or limitation of incidental or consequential damages or limitation of the duration of an implied warranty, so the above limitations or exclusions may not apply to you. If any specific term of this Limited Warranty is prohibited by any applicable law, it shall be null and void, but the remainder of this Limited Warranty shall remain in full force and effect.

What is NOT covered by this Limited Warranty:

In addition to any other limitations or exclusions in this Limited Warranty, Andersen shall have no obligation for product failure, damage or costs due to or related to the following:

- Adjustments or corrections due to improper installation.
- Product modifications or glass shading devices (e.g., glass tinting, security systems, improper painting or staining, insulated coverings, etc.).
- Units improperly assembled or improperly mullied by others.
- Failure due to the application of non-Andersen hardware (e.g., locksets, trim sets, hinges, panic hardware, closers, etc.).
- Failure to properly install Andersen hardware and/or exterior trim.
- Adjustments or corrections due to improper installation.
- Improper installation or use, including use of a non-commercial door as a main entrance or exit door for a building other than a single-family residential unit or re-installing an Andersen window or door after it has been removed from a building and re-sold and/or re-installed in a different building.
- Installing a storm door over or with a patio door.
- Exposure to conditions beyond published performance specifications.
- Water infiltration other than as a result of a defect in manufacturing, materials or workmanship.
- Condensation.
- Improper maintenance, such as use of brick wash, razor blades, sealants, sanding or improper washing.
- Failing to properly seal and maintain the exposed wood portions of a product. This includes, but is not limited to, the exposed wood on all sides of a door panel (e.g., exterior, interior, top, bottom, and both sides), a door frame and wood grilles.
- Chemicals or airborne pollutants, such as salt or acid rain.
- Delivery by others.
- Accidents.
- Acts of God.
- Normal wear and tear.

Additional items excluded from this limited warranty:

- Labor to replace sash or door panels, glass or other components.
- Labor and other costs related to the removal and disposal of defective product.
- Labor and materials to paint or stain any repaired or replaced product, component, trim or other carpentry work that may be required.
- Products not manufactured by Andersen.
- The performance of the low-maintenance exterior glass coating on products with High-Performance Low-E4® glass. Performance will vary depending on environmental conditions.
- Slight glass curvature, minor scratches or other imperfections in the glass that do not impair structural integrity or significantly obscure normal vision.
- Rattling of grille bars within an air space.
- Insects passing through or around the insect screen.
- Tarnish or corrosion to hardware finishes, except components warranted under the Transferable Limited Warranty on Corrosion-Resistant Hardware and Outswing Patio Door Hinges.
- Special glazings. Contact us concerning the limited warranty on special glazings.
- Electric window operators, retractable insect screens and bright brass and satin nickel finishes on door hardware. Contact us or refer to the specific limited warranties for these products.
- Andersen® 400 Series and 200 Series windows and doors, 100 Series windows and doors, Andersen® 400 Series windows with Stormwatch® protection and impact-resistant glass, storm doors, Renewal by Andersen® windows, E-Series/Eagle® windows and doors, Silver Line® windows and doors, American Craftsman® windows and doors and Weiland® windows and doors have their own limited warranties and are not covered by this limited warranty.
- Service trips to provide instruction on product use.

How to register your Owner-To-Owner® Limited Warranty

Andersen offers quick, easy warranty registration on our website. Just go to www.andersenwindows.com/warranty and submit your warranty information online. All warranty information is treated confidentially and will not be sold or traded to any person or organization outside of Andersen and the Andersen Dealer Network.



Warranty Claim Procedure

To make a claim under this Limited Warranty, contact the Andersen retailer/dealer who sold you your Andersen® product. Or, you may contact us at:

Andersen Windows, Inc./Andersen Service Center
100 Fourth Avenue North
Bayport, MN 55003-1096

You may also contact us using the Parts & Service section of our website at www.andersenwindows.com or reach us by phone at 1-888-888-7020.

You can help us serve you faster by providing the following important information:

- Description of the product such as the exterior color, unit type and size and inside visible glass measurements.
- Glass logo information etched in the inside corner of the glass.
- Description of product concerns.
- Documentation of the purchase date, if available.
- Your name, address (with zip code) where the product is installed and telephone numbers.

Non-Warranty Repair

You will be responsible for all costs related to any repair that is not covered by this Limited Warranty or which is outside of the applicable limited warranty periods. When warranty coverage is unclear, Andersen may charge an inspection fee for any on-site product inspection. If the inspector determines the Andersen® product has a defect covered by this Limited Warranty, the inspection fee will be waived.

For specific warranty information outside the United States, please contact your local distributor or write to:

Andersen Windows, Inc./International Division
100 Fourth Avenue North
Bayport, MN 55003-1096 USA

DISPUTE RESOLUTION PROCESS

General

If you are dissatisfied with the remedy provided to you under the Limited Warranty set forth above or have any other claim against Andersen related to your Andersen® products, you and Andersen agree to resolve the claim using the following process ("Dispute Resolution Process"). This Dispute Resolution Process will apply to claims of any nature relating to your Andersen product ("Dispute(s)"). Disputes include, but are not limited to, claims for breach of contract or breach of warranty, claims for violation of state or federal laws or regulations, claims based in tort, negligence or product liability, claims based in fraud or fraud in the inducement, marketing or advertising claims and claims related to the enforceability or effect of any term of the Limited Warranty or the Dispute Resolution Process, including, but not limited to, the waivers of class action and jury trials.

Notice Required

To assert a Dispute, you must first provide Andersen with written notice. A Notice of Dispute form is available for your use on Andersen's website at www.andersenwindows.com/noticeofdispute.

Andersen Response

Andersen will have 60 days from receipt of your Notice of Dispute to respond to you in writing. In that response or at any later time, Andersen may make one or more written offers to you to resolve your Dispute.

No Class Action or Jury Trials

YOU AGREE THAT YOU MAY ASSERT DISPUTES AGAINST ANDERSEN ONLY ON AN INDIVIDUAL BASIS AND NOT AS A PLAINTIFF OR CLASS MEMBER IN ANY CLASS OR REPRESENTATIVE ACTION OR PROCEEDING. AS PART OF THIS DISPUTE RESOLUTION PROCESS, YOU AND ANDERSEN ALSO AGREE TO WAIVE ANY RIGHT TO A JURY AND AGREE TO HAVE ALL DISPUTES HEARD AND DECIDED SOLELY BY THE FEDERAL OR STATE COURT JUDGE.

Opt-Out Procedure

You may opt out of this Dispute Resolution Process by completing and submitting a written Opt-Out Notice. The Opt-Out Notice is located on Andersen's website at www.andersenwindows.com/optout. Whether or not you opt out of the Dispute Resolution Process, all terms of the Limited Warranty set forth above remain in force and effect.

Applicable Law and Severability

This Dispute Resolution Process, including, but not limited to, issues related to its enforceability and effect, will be governed by the laws of the State of Minnesota without regard to conflict of law principles. If any term of this Dispute Resolution Process is found to be invalid or unenforceable in any particular jurisdiction, that term will not apply to that issue in that jurisdiction. Instead, that term will be severed with the remaining terms continuing in full force and effect.

Questions

If you have questions about the Dispute Resolution Process or Opt-Out Procedure, contact us at 844-332-7972.



Limited Warranty

400 SERIES
200 SERIES

OWNER2OWNER
LIMITED WARRANTY

Units Manufactured After November 6, 2015

Para ver la versión, en español, de esta Garantía limitada y Proceso de resolución de controversias, visite andersenwindows.com

LIMITED WARRANTY AND DISPUTE RESOLUTION PROCESS

IMPORTANT: Please carefully read the Dispute Resolution Process that appears in this document after the Limited Warranty. The Dispute Resolution Process includes class action and jury trial waivers that affect your legal rights. To opt out of these waivers, you must visit our website at www.andersenwindows.com/optout and complete the opt-out form within one year from the date of purchase of your Andersen® products from a dealer or retailer. The opt-out only applies to the terms of the Dispute Resolution Process.

400 Series/200 Series Windows & Doors Limited Warranty

Transferable Limited Warranty on Glass

The glass in Andersen® factory glazed windows and doors (including dual-pane glass, High-Performance Low-E4® glass, High-Performance Low-E4® Sun glass, High-Performance Low-E4® SmartSun™ glass, High-Performance Low-E4® PassiveSun® glass, Heatlock® glass, Low-E glass, patterned glass (including obscure, pebble, fern, reed and cascade designs)), Finelight™ grilles, divided light grilles and tempered versions of these glass options is warranted to be free from defects in manufacturing, materials and workmanship for twenty (20) years from the date of purchase from the retailer/dealer. It is also warranted not to develop, under normal conditions, any material obstruction of vision resulting from manufacturing defects or as a result of premature failure of the glass or organic seal for twenty (20) years from the date of purchase from the retailer/dealer. Patterned glass (including obscure, pebble, fern, reed and cascade designs) is warranted not to develop, under normal conditions, any material change in appearance resulting from manufacturing defects or as a result of premature failure of the glass or organic seal for twenty (20) years from the date of purchase from the retailer/dealer. This limited warranty on glass does not apply to special order glazings, Andersen® art glass, insulated art glass, impact-resistant glass, insulated glass with shades or blinds between the glass or glass that is not factory installed by Andersen.

In the event a glass failure occurs as a result of a defect in manufacturing, materials or workmanship within the limited warranty period, Andersen, at its option, will: (1) provide the appropriate replacement glass product to the Andersen retailer/dealer you specify — labor is not included; or (2) provide a factory-authorized repair to the existing glass at no cost to you; or (3) refund the original purchase price. Such replacement parts or repair are warranted for the remainder of the original limited warranty period.

Transferable Limited Warranty on Components Other Than Glass

Non-glass portions of Andersen® windows and doors (including non-electric operators, locks, lifts, balance systems, hinges, handles, insect screens, weatherstripping, exterior trim, sash and frame members) are warranted to be free from defects in manufacturing, materials and workmanship for a period of ten (10) years from the date of purchase from the retailer/dealer. This limited warranty does not apply to Andersen electric window operators, retractable insect screens or finishes on bright brass and satin nickel door hardware. The non-glass portions of Andersen® windows and doors with wood exteriors and commercial doors are subject to a limited warranty with a five (5) year period, but otherwise identical to the ten (10) year limited warranty described above.

In the event a component other than glass fails as a result of a defect in manufacturing, materials or workmanship within the limited warranty period, Andersen, at its option, will: (1) provide replacement parts to the Andersen retailer/dealer you specify — labor is

not included; or (2) provide a factory-authorized repair to the existing component at no cost to you; or (3) refund the original purchase price. Such replacement parts or repairs are warranted for the remainder of the original limited warranty period.

Transferable Limited Warranty on Patio Doors with Shades/Blinds in Insulated Glass

Andersen® patio doors with shades/blinds in insulated glass (including insulated glass, shade/blind, insulated glass seal and external control mechanisms attached to the glass, hinges, handles, insect screens, weatherstripping, and frame members) are warranted to be free from defects in manufacturing, materials and workmanship for a period of ten (10) years from the date of purchase from the retailer/dealer.

In the event of a glass failure or failure in the shades or blinds between the glass as a result of a defect in manufacturing, materials or workmanship within the limited warranty period, Andersen, at its option, will: (1) provide the appropriate glass replacement product to the Andersen retailer/dealer you specify — labor is not included; or (2) provide a factory-authorized repair to the existing glass component at no cost to you; or (3) refund the original purchase price. Such replacement parts or repairs are warranted for the remainder of the original limited warranty period.

No Other Warranties or Representations

THIS LIMITED WARRANTY IS IN LIEU OF ALL OTHER WARRANTIES, EXPRESS OR IMPLIED, INCLUDING, BUT NOT LIMITED TO, ANY IMPLIED WARRANTIES OF MERCHANTABILITY OR FITNESS FOR A PARTICULAR PURPOSE. ALL WARRANTIES ARE LIMITED TO THE APPLICABLE STATUTE OF LIMITATIONS, BUT IN NO CASE WILL EXTEND BEYOND THE LIMITED WARRANTY PERIODS SPECIFIED ABOVE. ANDERSEN EXCLUDES AND WILL NOT BE LIABLE FOR ANY INCIDENTAL OR CONSEQUENTIAL DAMAGES, WHETHER ARISING OUT OF CONTRACT, TORT OR OTHERWISE. THE REMEDY OF REPAIR, REPLACEMENT OR REFUND OF THE ACTUAL PURCHASE PRICE OF THE PRODUCT PROVIDED BY THIS LIMITED WARRANTY IS THE EXCLUSIVE REMEDY WITH RESPECT TO ANY AND ALL LOSS OR DAMAGE.

Applicable Law

This Limited Warranty is only applicable in the U.S.A. (i.e., the fifty states and the District of Columbia). This Limited Warranty gives you specific legal rights, and you may also have other rights which may vary from state to state. Some states do not allow the exclusion or limitation of incidental or consequential damages or limitation of the duration of an implied warranty, so the above limitations or exclusions may not apply to you. If any specific term of this Limited Warranty is prohibited by any applicable law, it shall be null and void, but the remainder of this Limited Warranty shall remain in full force and effect.

What Is NOT Covered by this Limited Warranty:

Specific Additional Exclusions

In addition to any other limitations or exclusions in this Limited Warranty, Andersen shall have no obligation for product failure, damage or costs due to or related to the following:

- Product modifications or glass shading devices (e.g., glass tinting, security systems, improper painting or staining, insulated coverings, etc.).
- Units improperly assembled or improperly milled by others.
- Failure due to the application of non-Andersen hardware (e.g., locksets, trim sets, hinges, panic hardware, closers, etc.).
- Failure to properly install Andersen hardware and/or exterior trim.
- Adjustments or corrections due to improper installation.
- Improper installation or use, including use of a non-commercial door as a main entrance or exit door for a building other than a single-family residential unit or re-installing an Andersen window or door after it has been removed from a building and re-sold and/or re-installed in a different building.
- Exposure to conditions beyond published performance specifications.
- Water infiltration other than as a result of a defect in manufacturing, materials or workmanship.
- Condensation.
- Improper maintenance, such as use of brick wash, razor blades, sealants, sanding or improper washing.
- Failing to properly seal and maintain the exposed wood portions of a product. This includes, but is not limited to, the exposed wood on all sides of a door panel (e.g., exterior, interior, top, bottom, and both sides), a door frame and wood grilles.
- Chemicals or airborne pollutants, such as salt or acid rain.
- Delivery by others.

- Accidents.
- Acts of God.
- Normal wear and tear.

Additional items excluded from this limited warranty:

- Labor to replace sash or door panels, glass or other components.
- Labor and other costs related to the removal and disposal of defective product.
- Labor and materials to paint or stain any repaired or replaced product, component, trim or other carpentry work that may be required.

Products not manufactured by Andersen.

- The performance of the low-maintenance exterior glass coating on products with High-Performance Low-E4® glass. Performance will vary depending on environmental conditions.
- Minor warping of wood and clad-wood doors. Andersen may defer actions on any claim for warping for a period of up to twelve (12) months from the date of the claim in order to permit conditioning and equalization to humidity and temperature conditions.
- Slight glass curvature, minor scratches or other imperfections in the glass that do not impair structural integrity or significantly obscure normal vision.
- Rattling of grille bars within an air space.
- Insects passing through or around the insect screen.
- Tarnish or corrosion to hardware finishes.
- Special glazings. Contact us concerning the limited warranty on special glazings.
- Andersen® art glass and decorative insulated art glass, impact-resistant glass, electric window operators, retractable insect screens and bright brass and satin nickel finishes on door hardware. Contact us or refer to the specific limited warranties for these products.
- Andersen® 400 Series windows with Stormwatch® protection and with impact-resistant glass, A-Series windows and doors, E-Series/Eagle® windows and doors, 100 Series windows and doors, storm doors, Renewal by Andersen® windows, Silver Line® windows and doors, American Craftsman® windows and doors and Weiland® windows and doors have their own limited warranties and are not covered by this limited warranty.
- Service trips to provide instruction on product use.

How to register your Owner-To-Owner® Limited Warranty

Andersen offers quick, easy warranty registration on our website. Just go to www.andersenwindows.com/warranty and submit your warranty information online. By registering, you will expedite any warranty service you may have in the future. In addition, you can receive product information updates, safety notices and special offers regarding new products, as well as information regarding enhancements for the windows and doors you've registered. All warranty information is treated confidentially and will not be sold or traded to any person or organization outside of Andersen and the Andersen Dealer Network.



Warranty Claim Procedure

To make a claim under this Limited Warranty, contact the Andersen retailer/dealer who sold you your Andersen® product. Or, you may contact us at:

Andersen Windows, Inc./Andersen Service Center
100 Fourth Avenue North
Bayport, MN 55003-1096

You may also contact us using the Parts & Service section of our website at www.andersenwindows.com or reach us by phone at 1-888-888-7020.

You can help us serve you faster by providing the following important information:

- Description of the product such as the exterior color, unit type and size and inside visible glass measurements.
- Glass logo information etched in the inside corner of the glass.
- Description of product concerns.
- Documentation of the purchase date, if available.
- Your name, address (with zip code) where the product is installed and telephone numbers.

Non-Warranty Repair

You will be responsible for all costs related to any repair that is not covered by this Limited Warranty or which is outside of the limited warranty period. When warranty coverage is unclear, Andersen may charge an inspection fee for any on-site product inspection. If the inspector determines the Andersen® product has a defect covered by this Limited Warranty, the inspection fee will be waived.

For specific warranty information outside the United States, please contact your local distributor or write to:

Andersen Windows, Inc. / International Division
100 Fourth Avenue North
Bayport, MN 55003-1096

DISPUTE RESOLUTION PROCESS

General

If you are dissatisfied with the remedy provided to you under the Limited Warranty set forth above or have any other claim against Andersen related to your Andersen® products, you and Andersen agree to resolve the claim using the following process ("Dispute Resolution Process"). This Dispute Resolution Process will apply to claims of any nature relating to your Andersen product ("Dispute(s)"). Disputes include, but are not limited to, claims for breach of contract or breach of warranty, claims for violation of state or federal laws or regulations, claims based in tort, negligence or product liability, claims based in fraud or fraud in the inducement, marketing or advertising claims and claims related to the enforceability or effect of any term of the Limited Warranty or the Dispute Resolution Process, including, but not limited to, the waivers of class action and jury trials.

Notice Required

To assert a Dispute, you must first provide Andersen with written notice. A Notice of Dispute form is available for your use on Andersen's website at www.andersenwindows.com/noticeofdispute.

Andersen Response

Andersen will have 60 days from receipt of your Notice of Dispute to respond to you in writing. In that response or at any later time, Andersen may make one or more written offers to you to resolve your Dispute.

No Class Action or Jury Trials

YOU AGREE THAT YOU MAY ASSERT DISPUTES AGAINST ANDERSEN ONLY ON AN INDIVIDUAL BASIS AND NOT AS A PLAINTIFF OR CLASS MEMBER IN ANY CLASS OR REPRESENTATIVE ACTION OR PROCEEDING. AS PART OF THIS DISPUTE RESOLUTION PROCESS, YOU AND ANDERSEN ALSO AGREE TO WAIVE ANY RIGHT TO A JURY AND AGREE TO HAVE ALL DISPUTES HEARD AND DECIDED SOLELY BY THE FEDERAL OR STATE COURT JUDGE.

Opt-Out Procedure

You may opt out of this Dispute Resolution Process by completing and submitting a written Opt-Out Notice. The Opt-Out Notice is located on Andersen's website at www.andersenwindows.com/optout. Whether or not you opt out of the Dispute Resolution Process, all terms of the Limited Warranty set forth above remain in force and effect.

Applicable Law and Severability

This Dispute Resolution Process, including, but not limited to, issues related to its enforceability and effect, will be governed by the laws of the State of Minnesota without regard to conflict of law principles. If any term of this Dispute Resolution Process is found to be invalid or unenforceable in any particular jurisdiction, that term will not apply to that issue in that jurisdiction. Instead, that term will be severed with the remaining terms continuing in full force and effect.

Questions

If you have questions about the Dispute Resolution Process or Opt-Out Procedure, contact us at 844-332-7972.

71 A-Series Specialty Windows	156 A-Series Frenchwood® Patio Door Joining Details	206 Combination Designs, Product Performance, Installation & Warranty
67 A-Series Window Custom Sizes	148 A-Series Frenchwood® Patio Door Sidelights & Transoms	201 Commercial Outswing Entry Doors & Sidelights
64 A-Series Window Joining Details	144 A-Series Frenchwood® Hinged Outswinging Patio Doors	198 Residential & Commercial Entry Door Transoms
56 A-Series Transom Windows	134 A-Series Frenchwood® Hinged Inswinging Patio Doors	185 Residential Inswing & Outswinging Entry Doors & Sidelights
48 A-Series Picture Windows	130 A-Series Frenchwood® Gliding Patio Doors	179 Folding Doors
42 A-Series Double-Hung Windows	123 A-Series Frenchwood® Patio Door Overview	173 Exterior Trim
30 A-Series Casement & Awning Windows	117 A-Series Complementary Casement Windows	163 A-Series Complementary Curved Top Patio Doors
25 A-Series Window Overview	116 A-Series Specialty Window Joining Details	160 A-Series Frenchwood® Patio Door Custom Sizes

Celebrating
115 Years
 1903-2018

Andersen® WINDOWS • DOORS 



"Andersen" and all other marks where denoted are trademarks of Andersen Corporation.
 ©2018 Andersen Corporation. All rights reserved. 05/18 Part #9067302

PDF NAVIGATION TIPS

Welcome to an overview of the enhanced navigation tools available in this PDF. Here are some simple tips on PDF navigation. Before you begin be sure you are using the latest version of Adobe Acrobat Reader DC, available at – <https://get.adobe.com/reader/>

To watch a 3-minute tutorial on navigating catalog PDFs, go to: <https://youtu.be/sWWnYn6ON3Y>

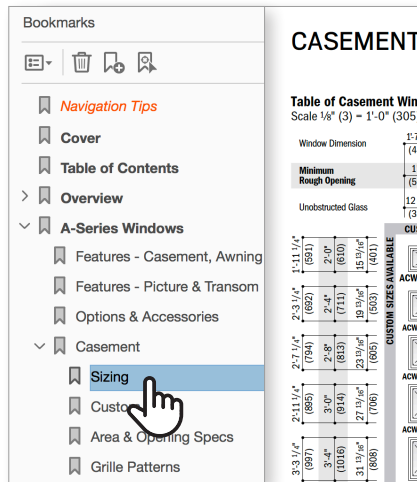
BOOKMARK NAVIGATION

①

Acrobat will display the bookmarks panel when you open the PDF.

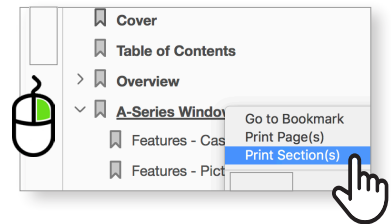
Bookmarks are the easiest way to find specific product information.

Select a topic and that page will be displayed.



②

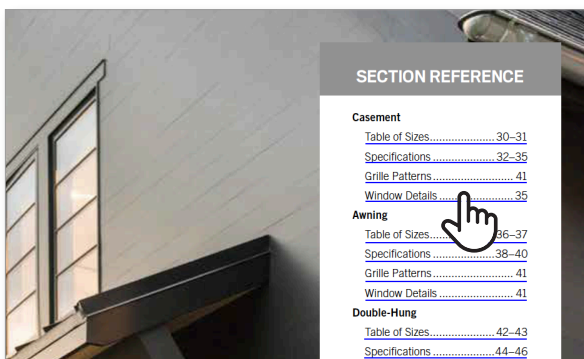
If you need to print a specific section, **right click on that section** within in the bookmarks panel and choose “**Print Section.**”



LINKS AND URL NAVIGATION

①

You can also use the **embedded links** to navigate between sections. All links are underlined in blue.




②

Website links automatically open in your web browser.

Beauty in the Details.

The hardware for our A-Series windows is created exclusively for Andersen and is made of forged metal for added strength. A range of available finishes makes it easy for customers to coordinate their window hardware with their cabinet hardware, faucets and other room décor.

Also available with VeriLock[®] Security Sensors, one of the most advanced technologies in the industry. For more information, see [pages 16-17](#) or visit andersenwindows.com/connect.



The tilt-in feature of A-Series allows one-hand operation



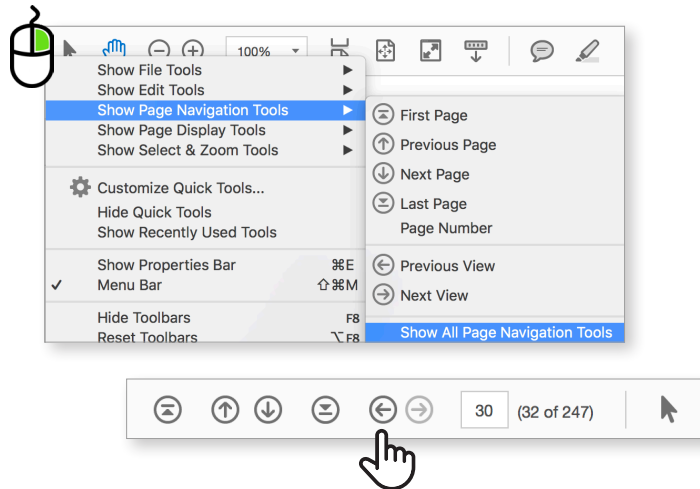
Add additional navigation tools by adjusting the default settings in Acrobat.

TOOL BAR NAVIGATION

1

To add a **“Jump Back” Button** to your tool bar, **right click on tool bar**, select **Show Page Navigation Tools** and choose **Show All Page Navigation Tools**.

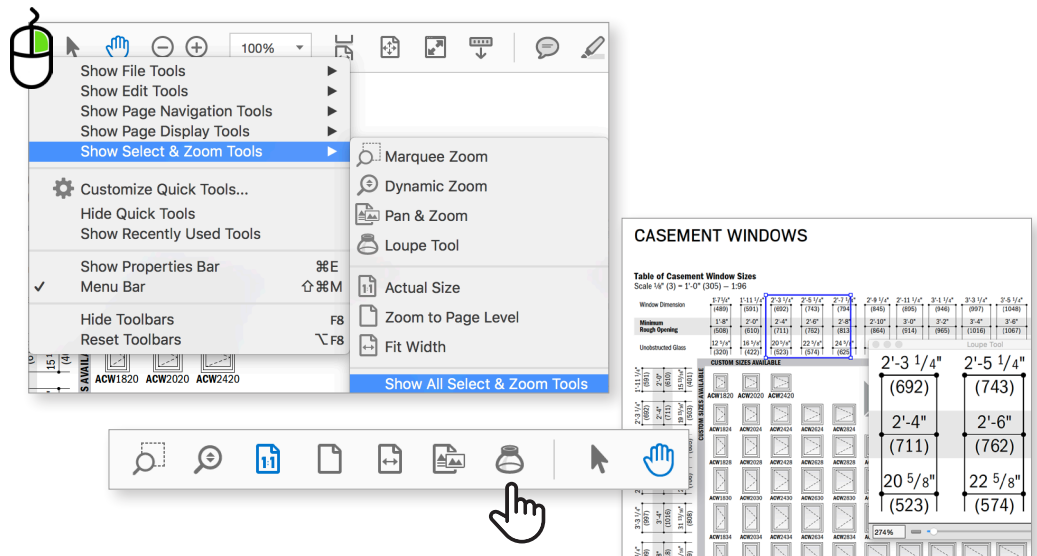
Right and left facing arrows are added to the tool bar allowing you to go back or forward to the last page you viewed.



2

Another helpful tool is the **Loupe Tool**. It allows you to zoom in on the page without having to increase the page size.

To add a **Loupe Tool** to your tool bar, **right click on tool bar**, select **Show Select & Zoom Tools** and then choose **Show All Select & Zoom Tools**.



3

You can also use the **commenting tools**. Add a post-it-note with your comments or highlight important information.

Be sure to save the file.



To watch a 3-minute tutorial on navigating catalog PDFs, go to: <https://youtu.be/sWWnYn60N3Y>

We are always looking for ways to improve.
Please send feedback to webmarketing@andersencorp.com.