

400 SERIES
200 SERIES
WINDOWS & DOORS

2017-18 PRODUCT GUIDE

FOR PROFESSIONALS



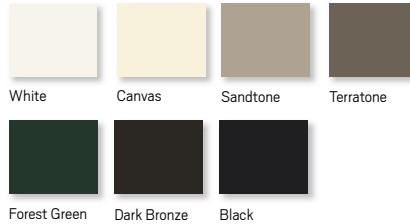
**Recognized by J.D. Power for
“Outstanding Customer
Satisfaction with Windows
and Patio Doors.”***

*Andersen received the second highest numerical score among 16 companies in the J.D. Power 2017 Windows & Patio Doors Satisfaction Study, based on 1,904 total responses, measuring the experiences and perceptions of customers who purchased windows and/or patio doors in the previous 12 months, surveyed February – March 2017. Your experiences may vary. Visit jdpower.com.

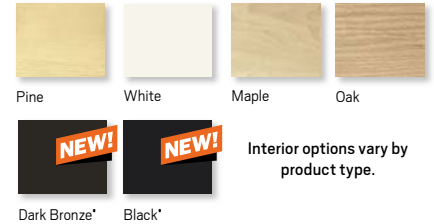
MORE WAYS TO MAKE CUSTOMER SATISFACTION HAPPEN.

MORE VARIETY.

SEVEN EXTERIOR COLORS



SIX INTERIOR OPTIONS



EXCEPTIONAL EXTERIOR TRIM OPTIONS

Andersen® exterior trim installs in about five minutes. Plus, it's available in 11 colors and a variety of styles.

Pages 8-9

INCOMPARABLE HARDWARE SELECTION

Andersen lets you choose from a broad range of hardware styles and finishes, including a new spoon lock design for double-hung windows and the most extensive hardware collection of any patio door manufacturer.

Pages 12-15



MORE REPLACEMENT SOLUTIONS.

From insert double-hungs to flangeless casements to custom-size bay windows and patio doors, Andersen has the answer to any replacement problem. Pages 6-7

INSERT & REPLACEMENT WINDOWS



400 SERIES WOODWRIGHT® DOUBLE-HUNG INSERT WINDOW

400 SERIES TILT-WASH DOUBLE-HUNG INSERT WINDOW

400 SERIES REPLACEMENT CASEMENT WINDOW



CUSTOM-SIZE WINDOWS & PATIO DOORS

CUSTOM-SIZE 400 SERIES FRENCHWOOD® GLIDING PATIO DOOR



CUSTOM-SIZE 400 SERIES TILT-WASH DOUBLE-HUNG WINDOW

Additional custom-size products available.

* Dark Bronze and Black interiors are only available with Dark Bronze and Black exteriors respectively. Printing limitations prevent exact color replication. See your Andersen supplier for actual color samples.

MORE EFFICIENT PRODUCTS.



PARTNER OF THE YEAR
Sustained Excellence

Andersen makes windows and doors with options that make them ENERGY STAR® v. 6.0 certified throughout the United States.

MORE RECOGNITION.

America's MOST RECOGNIZED & TRUSTED* brand of windows and patio doors



Recognized by J.D. Power for "Outstanding Customer Satisfaction with Windows and Patio Doors"***



Hanley Wood Builder Use Study 1998-2017, Windows – Wood & Clad-Wood Category



Awarded Most Environmentally Friendly Windows 6 years running 2011-2017.

MORE FOR SMART HOMES.

SECURITY SENSORS

No one is doing more to make windows and patio doors part of today's smart homes. Andersen now offers patented VeriLock® wireless security sensors and more.

Page 30.



AND EVEN MORE OPTIONS.

BLINDS-BETWEEN-THE-GLASS

Now available on 400 Series Frenchwood® gliding patio doors. Also available on 200 Series Perma-Shield® gliding patio doors.

Page 151 & 238.



*Based on 2016 homeowner brand survey and 2016 survey of trade contractors; Andersen family of brands aggregated. **Andersen received the second highest numerical score among 16 companies in the J.D. Power 2017 Windows & Patio Doors Satisfaction Study, based on 1,904 total responses, measuring the experiences and perceptions of customers who purchased windows and/or patio doors in the previous 12 months, surveyed February – March 2017. Your experiences may vary. Visit jdpower.com.

OVERVIEW

Andersen Advantages	1
Options & Accessories.....	8
Products at a Glance.....	18

400 SERIES WINDOWS & PATIO DOORS

Casement & Awning Windows	31
Replacement Casement & Awning Windows	49
Complementary Casement Windows.....	53
Woodwright® Double-Hung Full-Frame Windows	59
Woodwright® Double-Hung Insert Windows.....	79
Tilt-Wash Double-Hung Full-Frame Windows	87
Conversion Kit.....	99
Tilt-Wash Double-Hung Insert Windows	101
Bay & Bow Windows	109
Gliding Windows	123
Specialty Windows	129
Complementary Specialty Windows	149
Frenchwood® Gliding Patio Doors	153
Frenchwood® Hinged Patio Doors — Inswing.....	161
Frenchwood® Patio Door Sidelights & Transoms	171
Complementary Curved Top Patio Doors.....	175

BIG DOORS

Folding Doors.....	185
Entranceways (residential).....	191
Entranceways (residential/commercial transoms).....	204
Entranceways (commercial)	207

ART GLASS & EXTERIOR TRIM

Art Glass.....	213
Exterior Trim	215

200 SERIES WINDOWS & PATIO DOORS

Tilt-Wash Double-Hung Windows.....	221
Gliding Windows	227
Narroline® Gliding Patio Doors	233
Perma-Shield® Gliding Patio Doors.....	241
Hinged Patio Doors — Inswing	247

TECHNICAL INFORMATION

Combination Designs	255
Product Performance	269
Sustainability.....	286
Installation Accessories	288
Warranty	290



Now more than ever, Andersen offers what you need to design, build, remodel and replace. More custom sizes for more products. More service coverage from coast to coast. More tools that add speed and professionalism to how you create plans, generate quotes and specify products. And more options to meet your design needs. All in addition to the things that have made Andersen an industry leader for over 110 years — including the energy efficiency customers demand, a history of environmental stewardship, the backing of a renowned limited warranty* and the confidence that comes from working with products crafted for the long run.



WHATEVER YOUR PROJECT, **ANDERSEN** **DELIVERS**

*Visit andersenwindows.com/warranty for details.

DESIGN

Andersen has both the products and the design tools you need for virtually any project. With a wide range of windows and doors, a variety of interior options and a large palette of colors, it's easy to create the look you want. You'll also find the tools you need to bring your vision to life. For more information on our design tools, visit andersenwindows.com/arg.



BUILD

Andersen is the most trusted brand of windows and patio doors among contractors.* With good reason. Our extensive collection of products offers the ability to deliver aesthetics and reliable performance in any climate. And our vast dealer network is there for you, from project design to closing, with industry-leading support and service.



REMODEL

Whether you are matching existing architecture, delivering energy efficiency or fitting budgets your customers demand, Andersen can help. We offer a broad portfolio of products — all renowned for their long-lasting,** energy-efficient, low-maintenance designs. With custom size capabilities, a choice of wood species and exterior colors, and other options and accessories, you have everything you need to create what your customers have in mind.



REPLACE

Andersen is committed to being your window and door company for replacement solutions. With Andersen, you have the ability to order custom sizes for a wide variety of full-frame windows, insert windows and patio doors. In addition, we offer a range of interior and exterior options, custom grille capabilities and products that arrive prepped from the factory for easy installation.



*Based on 2016 survey of trade contractors.

**Visit andersenwindows.com/warranty for details.





400 SERIES

As our most popular products, 400 Series windows and patio doors provide a classic blend of engineering and craftsmanship, featuring extensive sizes, shapes, styles and colors. We design each product to meet our demanding standards. And each is available with a full array of options and accessories to give projects a customized look, and customers the choices they want.

Carefully crafted in dramatic sizes and shapes, Andersen complementary products can make any project special. They beautifully complement our 400 Series products and expand your design possibilities.

ANDERSEN[®]

PRODUCT OVERVIEW

With Andersen, there are product lines for every budget, every personal taste and every architectural style. No matter which you choose, all feature the beauty, energy efficiency and durability you and your customers have come to expect from Andersen.

BIG DOORS

Our folding patio doors let the outside in. When closed, they provide a stately wall of light. When open, they fold virtually out of sight. Choose from a variety of configurations up to 48 feet wide.

Handcrafted from the finest wood available, Andersen[®] Entranceways add uncommon elegance to any home. Choose from rectangular or arched styles in a large variety of solid wood or glass panel options.



200 SERIES

This streamlined selection delivers Andersen quality at an uncommon value while still offering ample choices. The Andersen 200 Series window and patio door product line concentrates on our most popular sizes and options.





REPLACEMENT SOLUTIONS FOR EVERY JOB



Andersen offers the replacement solutions you need, the comfort and low maintenance your customers are looking for and the successful installs your reputation requires. Whether it's a double-hung insert window, our replacement casement, or a full-frame replacement window or patio door, Andersen® replacement products install quickly and easily so you finish in less time.

What's more, Andersen replacement windows and patio doors have beautiful wood interiors that add value to your customers' homes — so you're not just replacing, you're upgrading. Plus all feature the durability, the time-tested performance and the service and support you've come to expect from Andersen. Which means more satisfied customers today and fewer callbacks tomorrow.

SEE THESE PAGES FOR DETAILS ON EACH ANDERSEN® REPLACEMENT AND CUSTOM-SIZE PRODUCT:

400 Series Replacement Casement & Awning Windows.....	49
400 Series Complementary Casement Windows	53
400 Series Woodwright® Double-Hung Full-Frame Windows.....	59
400 Series Woodwright® Double-Hung Insert Windows	79
400 Series Tilt-Wash Double-Hung Full-Frame Windows.....	87
Narroline® Double-Hung Window Conversion Kits.....	99
400 Series Tilt-Wash Double-Hung Insert Windows.....	101
400 Series Specialty Windows.....	129
400 Series Frenchwood® Gliding Patio Doors.....	153
400 Series Frenchwood® Hinged Patio Doors – Inswing.....	161
400 Series Complementary Curved Top Patio Doors.....	175
Folding Doors & Entranceways	185
200 Series Narroline® Gliding Patio Doors.....	233
200 Series Perma-Shield® Gliding Patio Doors	241



**400 SERIES WOODWRIGHT®
DOUBLE-HUNG INSERT
WINDOW**

The classic, traditional style of Woodwright® full-frame windows in a time-saving insert.



**400 SERIES TILT-WASH
DOUBLE-HUNG INSERT
WINDOW**

Our best-selling double-hung window now comes in an insert for easy replacement.



**400 SERIES REPLACEMENT
CASEMENT WINDOW**

Available without a nailing flange for easy installation from inside or outside. Features predrilled, through-the-jamb installation holes for quick installation.



Our replacement casement windows and all insert windows include flat, self-hanging shims, backer rod, installation screws and complete instructions.



CUSTOM-SIZE PATIO DOORS

Whether you need a hinged or gliding patio door for replacement, Andersen has a number of custom size options to fit your project.



**CUSTOM-SIZE ^{NEW!}
FULL-FRAME
WINDOWS**

400 Series full-frame tilt-wash double-hung windows now feature custom sizes. Custom sizes are also available for Woodwright full-frame double-hung windows along with casement, awning and specialty windows. Andersen has a window to fit your project.



EXTERIOR TRIM SYSTEM

A BEAUTIFUL, INNOVATIVE WAY TO SAVE TIME

Andersen® exterior trim for windows and doors installs in about five minutes. It allows you to eliminate measuring, cutting, mitering and filling nail holes while providing an exceptional fit and finish. Plus it offers the flexibility to create a variety of window, door and trim color combinations. **For details see page 215.**

ANDERSEN INNOVATION



Time-saving and cost-effective

Innovative attachment strip



Our trim is made with Fibrex® material, an environmentally smart composite that contains 40% pre-consumer reclaimed wood fiber by weight.



Independent of water management system for easy installation

No nail holes, no visible fasteners, no painting

Cocoa Bean trim with Sandtone window

Style that gets noticed

Our thick trim profiles overlap the window frame to create clean lines without visible sealant joints. Mitered brick mould corners and butt joints on flat trim reflect traditional corner joints.



An online trim visualizer, installation guides and videos are available at andersenwindows.com/exteriortrim.

STYLES



2" Brick Mould with sill nose
Dove Gray trim with Terratone window



3 1/2" Flat with sill nose
Dark Bronze trim with White window



4 1/2" Flat with sill nose
Canvas trim with Forest Green window

HEAD TRIM OPTIONS



Decorative Drip Cap



2" Cornice



3 5/8" Cornice

COLORS



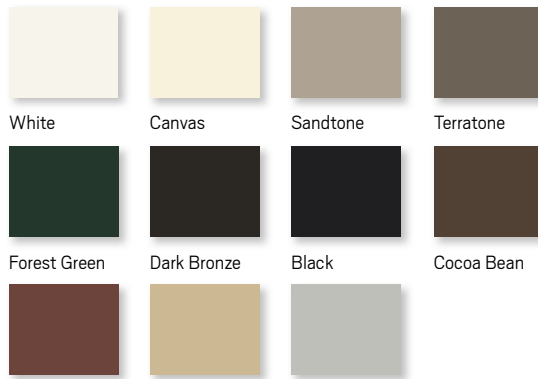
Red Rock trim with Sandtone window

WINDOW AND DOOR COLORS*



White Canvas Sandtone Terratone Forest Green Dark Bronze Black

TRIM COLORS



White Canvas Sandtone Terratone
Forest Green Dark Bronze Black Cocoa Bean
Red Rock Prairie Grass Dove Gray

COLOR CHOICES & COMBINATIONS

Available in 11 factory-finished colors that never need painting and won't fade, flake, blister, chalk or peel no matter what the climate.** Mix and match trim and product colors to give your customers the look they want.

* Some products are not available in all colors. See your Andersen supplier for details.

** Visit andersenwindows.com/warranty for details.

Printing limitations prevent exact duplication of colors. See your Andersen supplier for actual color samples.

GLASS OPTIONS



Most Andersen® 400 Series windows are available with impact-resistant glass and structural upgrades to meet the tough building codes of hurricane-prone coastal areas. See your local code official for specific requirements in your area.

Andersen has the glass you need to get the performance you want. From SmartSun™ glass with HeatLock® coating that is ENERGY STAR® certified in all climate zones* to PassiveSun® glass that helps heat homes in northern areas, there's an option for every climate, project and customer. Check with your supplier for the selections that meet ENERGY STAR® requirements in your area.

GLASS	ENERGY		LIGHT	
	U- FACTOR	SOLAR HEAT GAIN COEFFICIENT	VISIBLE LIGHT TRANSMITTANCE	UV PROTECTION
SmartSun™ Thermal control similar to tinted glass, but with the visible light transmittance of clear glass.	★★★★☆	★★★★★	★★★☆☆	★★★★★
SmartSun with HeatLock® Coating Applied to the room-side surface, it reflects heat back into the home and improves U-Factors.	★★★★☆	★★★★★	★★★☆☆	★★★★★
Low-E4®/Low-E Outstanding overall performance for climates where both heating and cooling costs are a concern.	★★★★☆	★★★★☆	★★★★☆	★★★★☆
Low-E4 with HeatLock® Coating Applied to the room-side surface, it reflects heat back into the home and improves U-Factors.	★★★★☆	★★★★☆	★★★☆☆	★★★★☆
Sun Outstanding thermal control in southern climates where less solar heat gain is desired.	★★★★☆	★★★★★	★★☆☆☆	★★★★☆
PassiveSun® Ideal for northern, passive solar construction applications where solar heat gain is desired.	★★★☆☆	★★☆☆☆	★★★★☆	★★★☆☆
Clear Dual-Pane High visibility with basic thermal performance.	★★☆☆☆	☆☆☆☆	★★★★★	☆☆☆☆

Center of glass performance only. Ratings based on glass options available as of September 2017. Visit andersenwindows.com for ENERGY STAR® map and NFRC total unit performance data.

TIME-SAVING TRANSLUCENT FILM

We help protect Andersen® windows and patio doors during delivery and construction with a translucent film that minimizes time spent masking on the jobsite, then peels away for a spotless window. For details, contact your Andersen supplier or visit andersenwindows.com.



ADDITIONAL GLASS OPTIONS

- Tempered** safety glass (standard on patio doors).
- Laminated** glass for added strength, enhanced security and sound control.
- Patterned** glass to let in light while obscuring vision (patterns shown below).



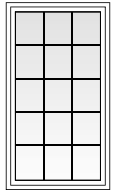
Cascade and Reed patterns can be ordered with either a vertical or horizontal orientation.

* Andersen 400 and 200 Series products only with SmartSun™ glass with HeatLock® coating (argon gas blend), no grilles, no breather tubes. Excludes patterned/textured glass.

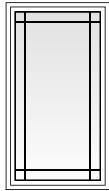
GRILLE OPTIONS

With Andersen, you'll find grille patterns, widths and configurations to fit any architectural style or the taste of any homeowner. If you're replacing windows and doors, we can match virtually any existing grille. We'll even work with you and your customers to create custom patterns.

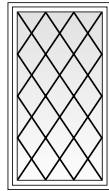
Note: Some grille patterns not available in all configurations and products.



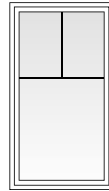
Colonial



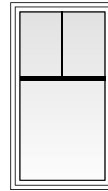
Prairie



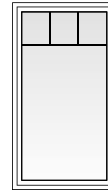
Diamond



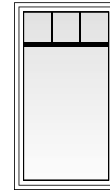
Tall Fractional



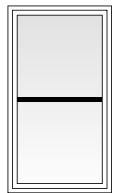
Tall Fractional with 2 1/4" rail



Short Fractional

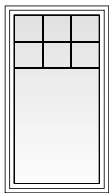


Short Fractional with 2 1/4" rail

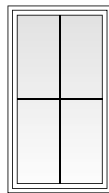


Simulated Double-Hung

Our 2 1/4-inch-wide grille can make a casement window look like a double-hung.

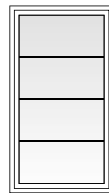


Specified Equal Light* Fractional

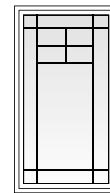
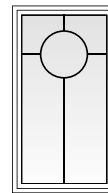
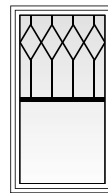


2 x 2

Specified Equal Light*



1 x 4



Custom Patterns

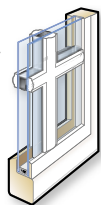
Contact your Andersen supplier for your custom needs.

To see all of the standard patterns available for a specific window or door, refer to the detailed sections in this book for each product or contact your Andersen supplier.

GRILLE CONFIGURATIONS

Full Divided Light

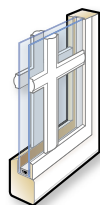
For an authentic look, Full Divided Light grilles are permanently applied to the interior and exterior of the window with a spacer between the glass.



Permanent Exterior
Permanent Interior
with Spacer

Simulated Divided Light

Simulated Divided Light offers permanent grilles on the exterior and interior with no spacer between the glass. We also offer permanent exterior grilles with removable interior grilles in natural wood or prefinished white.



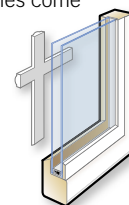
Permanent Exterior
Permanent Interior



Permanent Exterior
Removable Interior

Convenient Cleaning Options

Removable interior grilles come off for easy cleaning. Andersen® Finelight™ grilles are installed between the glass panes and feature a contoured 1" or 3/4" profile.

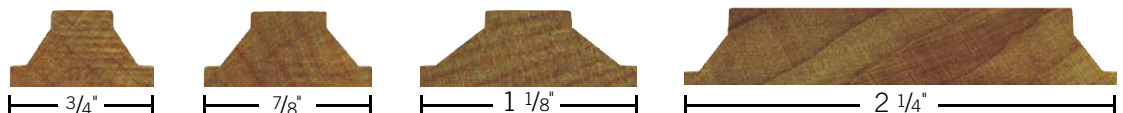


Removable
Interior Grille



Finelight™ Grilles-
Between-the-Glass

Grille Widths (actual size shown)



*Specify number of same-size rectangles across or down.

TIMELESS BEAUTY: WINDOW HARDWARE

Window hardware enhances the overall design of a window and harmonizes with a home's décor. That's why we offer a broad range of hardware styles and finishes.

ANDERSEN® HARDWARE FINISHES



Antique Brass



Black



Bright Brass



Brushed Chrome



Distressed Bronze



Distressed Nickel



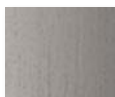
Gold Dust



Oil Rubbed Bronze



Polished Chrome



Satin Nickel



Stone



White



Contemporary casement hardware in satin nickel finish.



Estate™ lock & keeper in oil rubbed bronze finish.

Distressed bronze and oil rubbed bronze are "living" finishes that will change with time and use.

Printing limitations prevent exact finish replication. See your Andersen supplier for actual finish samples.

DOUBLE-HUNG HARDWARE

400 SERIES WOODWRIGHT® WINDOWS



Antique Brass | **Black** | Bright Brass
 Brushed Chrome | Distressed Bronze
 Distressed Nickel | Gold Dust | Oil Rubbed Bronze
 Polished Chrome | Satin Nickel | Stone | White

400 SERIES TILT-WASH WINDOWS



STANDARD: Stone | White
 OPTIONAL: Black | **Gold Dust**

200 SERIES TILT-WASH WINDOWS



STANDARD: Stone | **White**
 OPTIONAL: Antique Brass | Black | Bright Brass
 Gold Dust | Oil Rubbed Bronze | Satin Nickel

OPTIONAL DOUBLE-HUNG HARDWARE*

TRADITIONAL



Antique Brass | Black | Bright Brass | Brushed Chrome | Distressed Bronze | Distressed Nickel
 Gold Dust | **Oil Rubbed Bronze** | Polished Chrome | Satin Nickel | Stone | White

CONTEMPORARY



Antique Brass | Black | Bright Brass
 Brushed Chrome | Distressed Bronze | **Distressed Nickel**
 Gold Dust | Oil Rubbed Bronze | Polished Chrome
 Satin Nickel | Stone | White

ESTATE™ (Estate lifts not available for 400 Series tilt-wash windows)



Antique Brass | **Bright Brass** | Brushed Chrome | Distressed Bronze
 Distressed Nickel | Oil Rubbed Bronze | Polished Chrome | Satin Nickel

CLASSIC SERIES™ (Classic Series lifts not available for 400 Series tilt-wash windows)



Stone | **White**

OPTIONS & ACCESSORIES

CASEMENT & AWNING HARDWARE OPTIONS*

Folding window hardware eliminates interference with window treatments.

CLASSIC SERIES™



Stone | **White**

ESTATE™



Antique Brass | Bright Brass | Brushed Chrome
 Distressed Bronze | Distressed Nickel | Oil Rubbed Bronze
 Polished Chrome | Satin Nickel

400 SERIES GLIDING WINDOWS



Antique Brass | Black | Bright Brass
 Brushed Chrome | Distressed Bronze
 Distressed Nickel | **Oil Rubbed Bronze**
 Polished Chrome | **Satin Nickel**
 Stone | White

200 SERIES GLIDING WINDOWS



STANDARD: Stone | **White**
 OPTIONAL:
 Antique Brass
 Black
 Bright Brass
 Gold Dust
 Oil Rubbed Bronze
 Satin Nickel

TRADITIONAL FOLDING



Antique Brass | Black | Bright Brass
Distressed Bronze | Distressed Nickel | Gold Dust
 Oil Rubbed Bronze | Satin Nickel | Stone | White

CONTEMPORARY FOLDING



Black | Bright Brass | Gold Dust | Oil Rubbed Bronze
Satin Nickel | Stone | White

Bold name denotes finish shown.

*All Andersen® hardware is sold separately, except standard hardware.

FUNCTIONAL BEAUTY: DOOR HARDWARE

GLIDING PATIO DOOR HARDWARE* (G)



HINGED PATIO DOOR HARDWARE* (H)

YUMA®

Distressed Bronze | **Distressed Nickel**

ENCINO®

Distressed Bronze | Distressed Nickel

ANVERS®

Bright Brass | Oil Rubbed Bronze
Satin Nickel

NEWBURY®

Antique Brass | Bright Brass
Brushed Chrome | **Oil Rubbed Bronze**
Polished Chrome | Satin Nickel

Bold name denotes finish shown.

FSB® HINGED PATIO DOOR HARDWARE* **NEW!**

Durable, stainless steel FSB® hinged door hardware features clean lines and a sleek satin finish for a thoroughly modern look. Choose from four handle styles. See your Andersen supplier for availability.



Satin Stainless Steel

*Hardware sold separately.

"FSB" is a registered trademark of Franz Schneider Brakel GmbH & Co.



1035



1075



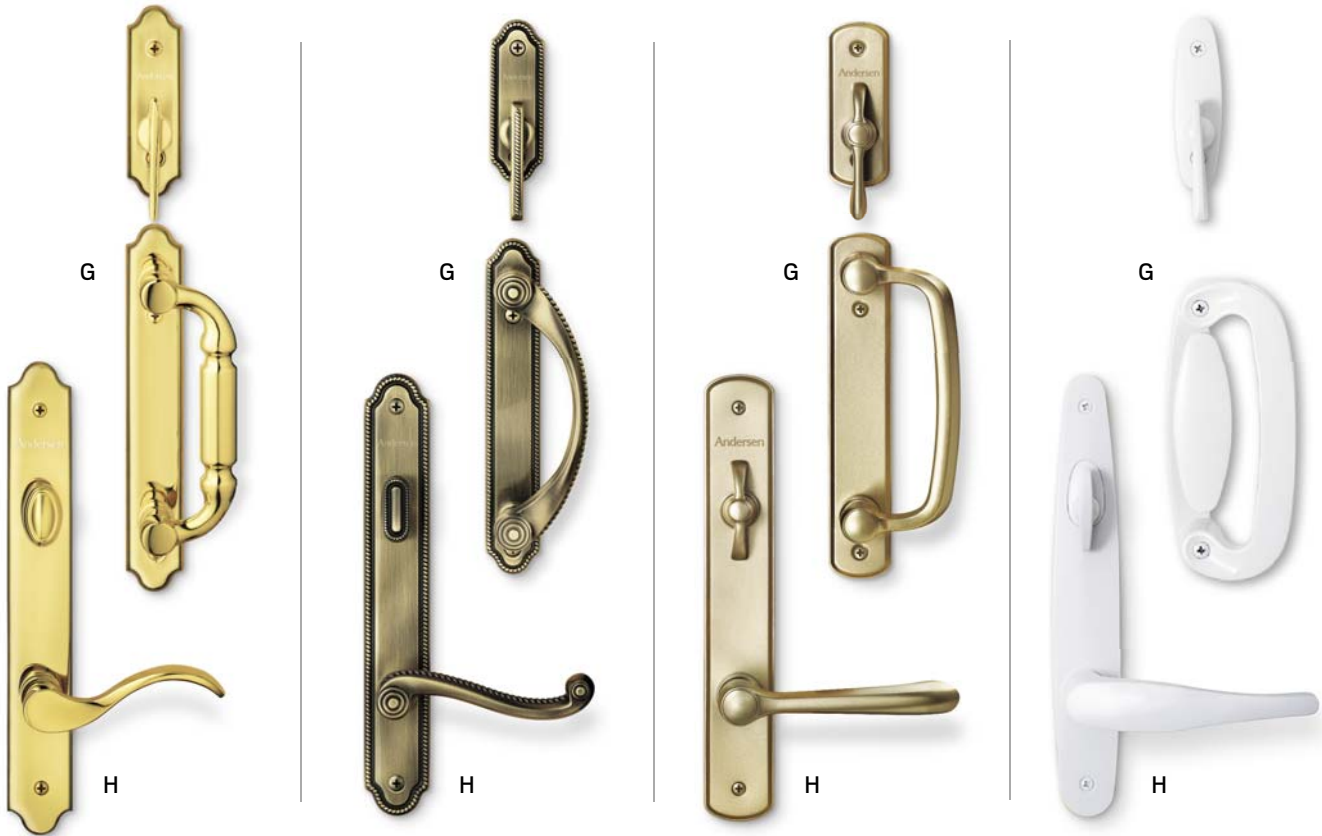
1076



1102

With Andersen, you have a wider selection of hardware styles and finishes than you'll find with just about any other manufacturer. We offer six distinctively different hardware styles — Yuma®, Encino®, Anvers®, Newbury®, Covington™ and Whitmore® — in solid forged brass with eight metal finish options. And we offer two hardware styles — Tribeca® and Albany — in die-cast zinc with durable powder-coated finishes. Also, look for additional hardware options such as exterior keyed locks and matching hinge finishes in the detailed sections for each individual door.

GLIDING PATIO DOOR HARDWARE* (G)



OPTIONS & ACCESSORIES

HINGED PATIO DOOR HARDWARE* (H)

COVINGTON™

Antique Brass | **Bright Brass**
Oil Rubbed Bronze

WHITMORE®

Antique Brass | Bright Brass
Oil Rubbed Bronze | Satin Nickel

ALBANY

Black | **Gold Dust**
Stone | White

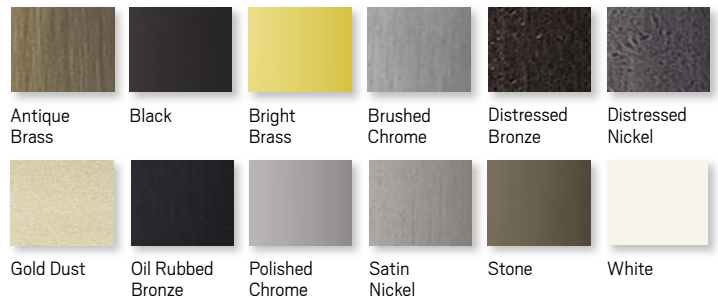
TRIBECA®

Stone | **White**



Yuma® hinged door hardware in distressed nickel finish.

DOOR HARDWARE FINISHES



*Hardware sold separately.

Matching hinges available for inswing patio doors.

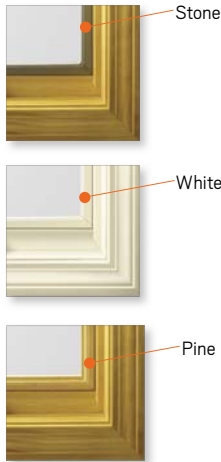
Distressed bronze and oil rubbed bronze are "living" finishes that will change with time and use. Bright brass and satin nickel finishes on patio door hardware feature a 10-year limited warranty.

Printing limitations prevent exact finish replication. See your Andersen supplier for actual finish samples.

INSECT SCREENS

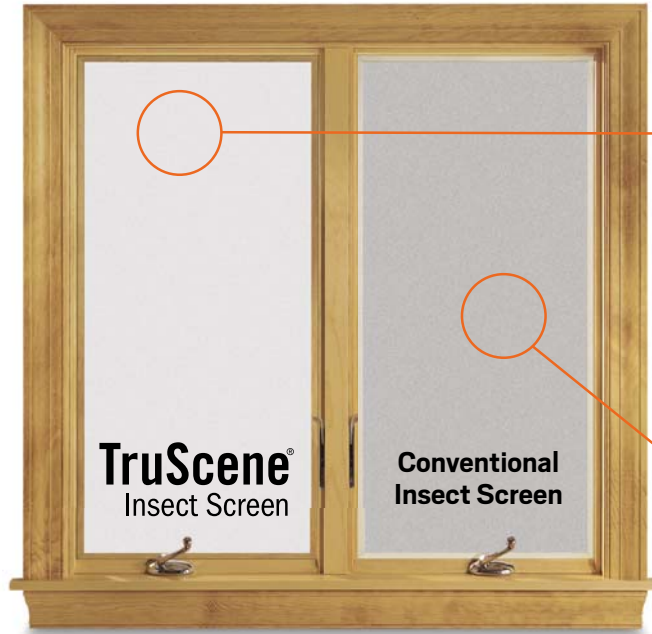
Exclusive Andersen® TruScene® insect screens provide more than 50% greater clarity than our conventional insect screens for a beautifully unobstructed view. And they let in more fresh air and sunlight, while doing a better job of keeping out small insects.

ANDERSEN
INNOVATION

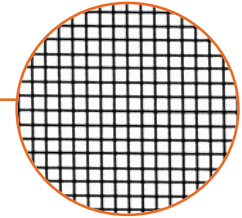


FRAMES

For casement and awning windows, TruScene® insect screen frames are available in stone, white, dark bronze, black or natural pine veneer that can be stained to match the window. Insect screen frames for all other windows are installed on the exterior of the window and match the unit's exterior color.

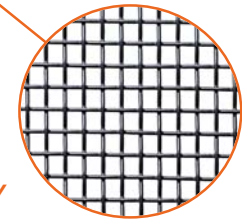


TruScene®
Insect Screen



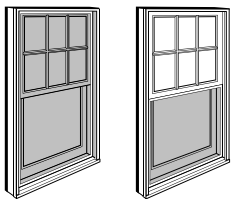
Crafted from micro-fine stainless steel mesh, it's one-third the diameter of our aluminum screen wire.

Conventional Andersen®
Insect Screen



TRUSCENE® INSECT SCREENS — 50% GREATER CLARITY

FULL OR HALF WINDOW INSECT SCREENS

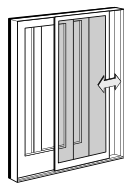


Full insect screens are available for Andersen® venting windows. Andersen also offers the option of half insect screens for the lower sash of our tilt-wash double-hung windows.

PATIO DOOR INSECT SCREEN OPTIONS

All hinged and gliding patio door insect screens have a long-lasting* fiberglass screen mesh with a charcoal finish. Available in colors to match the exterior of the door.**

GLIDING PATIO DOORS

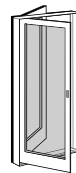


Gliding Insect Screen
Gliding insect screens are available for two- and four-panel doors.

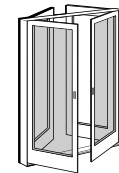


Retractable Insect Screen
The retractable insect screen is installed on the exterior of the door and opens side-to-side across the width of the opening. When the insect screen is not in use, it neatly retracts into a small canister. Available for two-panel patio doors.

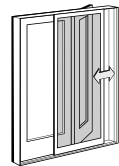
HINGED INSWING PATIO DOORS



Hinged Insect Screen
Available for single-panel doors.



Double-Hinged Insect Screen
Available for two-panel jamb hinged doors.



Gliding Insect Screen
Available for all two- and three-panel doors.

* Visit andersenwindows.com/warranty for details.

** See your Andersen supplier for availability.

ART GLASS

Andersen offers two distinctly different series of art glass to complement any home's architecture. All can help you add interest, create focal points and make your work stand out from that of your competitors. For more information, see your Andersen supplier or visit andersenwindows.com/artglass.



CLASSIC SERIES

Create a classic look with five different styles that represent major architectural design themes from the late 1800s through the 1930s, as well as a Southwestern-inspired design.



Diamond Lights



Lotus



Regency



Victoria



Taos

ARTISAN SERIES

Two designs influenced by 20th Century American and European architectural schools feature striking visual patterns that evoke an extraordinary blend of art and nature.



Harmonics



Affinity

OPTIONS & ACCESSORIES

CUSTOM OPTIONS

ART GLASS COLORS*



ACCENT JEWELS



*Clear, clear antique and semi-privacy glass are also available as custom art glass color options. Andersen art glass panel patterns vary based on window size and shape. Colors may also vary. Contact your Andersen supplier for more information.

Art glass changes appearance greatly based on lighting in its environment, making it beautiful to look at, yet difficult to represent accurately in print. Printing limitations prevent exact color replication.

DOUBLE-HUNG WINDOWS



400 SERIES WOODWRIGHT® WINDOWS

Woodwright® windows help replicate the look of traditional architecture. Their thick, sloped sills and historically accurate grille patterns express old-world character. To help match existing interiors, they're available in a variety of wood species and with a range of hardware and grille options, including custom grilles. And the all-new, easy tilt-release lock system makes cleaning easy.

For more information, see page 59.



CUSTOM SIZES

Woodwright® windows give you the option to use a variety of graceful arches that can add an uncommon elegance.



Unequal Arch



Arch



Springline™



400 SERIES WOODWRIGHT® INSERT WINDOWS

Woodwright® insert windows give all the advantages of Woodwright full-frame windows, with faster and easier installation, less mess and fewer disruptions. In most cases, you can even keep the original trim and preserve the character of your customers' homes. And the all-new, easy tilt-release lock system makes cleaning easy.

Installation materials included.

For more information, see page 79.



CUSTOM SIZES



400 SERIES TILT-WASH WINDOWS

Year after year, the Andersen® 400 Series tilt-wash window is our best-selling double-hung window — and for good reason. **A new, taller sill stop increases performance to PG40 while still maintaining egress on our most popular sizes.** It's extremely energy efficient and offers a wide array of decorative and performance options.

For more information, see page 87.



CUSTOM SIZES



StormWATCH
PROTECTION

This product is available with Stormwatch® protection. Visit andersenwindows.com/coastal for more details.



400 SERIES TILT-WASH INSERT WINDOWS

All the features of our best-selling double-hung window are now available in an insert window that's faster and easier to install.

Installation materials included.

For more information, see page 101.



CUSTOM SIZES



200 SERIES TILT-WASH WINDOWS

200 Series tilt-wash double-hung windows come in our most popular sizes and with our most requested options. They feature low-maintenance exteriors and real wood interiors. **For more information, see page 221.**



NARROLINE® WINDOW CONVERSION KIT

For homes with Andersen® Narroline® windows that were made after 1967, our quick conversion kit lets you turn them into tilt-wash double-hung windows with High-Performance Low-E4® glass.

For more information, see page 99.



DOUBLE-HUNG WINDOW FEATURES		400 SERIES WOODWRIGHT®	400 SERIES WOODWRIGHT INSERT	400 SERIES TILT-WASH	400 SERIES TILT-WASH INSERT	200 SERIES TILT-WASH	NARROLINE® CONVERSION KIT
Low-Maintenance Exteriors							
	White	●	●	●	●	●	●
	Canvas	●	●	●	●		
	Sandtone	●	●	●	●	●	●
	Terratone	●	●	●	●		●
	Forest Green	●	●	●	●		
	Dark Bronze	●	●	●	●		
	Black	●	●	●	●		
Interiors							
	Maple	●	●				
	Oak	●	●				
	Pine	●	●	●	●	●	●
	White	●	●	●	●	●	●
NEW!	Dark Bronze*			●	●		
NEW!	Black*			●	●		
Easy Cleaning							
	Tilt-to-Clean Sash	●	●	●	●	●	●
Grilles							
	Full Divided Light	●	●	●	●		●
	Simulated Divided Light	●	●	●	●	●	●
	Finelight™ (Grilles-Between-the-Glass)	●	●	●	●	●	●
	Removable Interior Grilles	●	●	●	●	●	●
Performance Options							
	Stormwatch® Protection			●			
High-Performance Glass Additional glass options are available. See page 10 for details.							
	Low-E4®	●	●	●	●		●
	Low-E4 Sun	●	●	●	●		●
	Low-E4 SmartSun™	●	●	●	●		●
	Low-E					●	
	Low-E Sun						
	Low-E SmartSun					●	
Unit Sizes							
	Minimum Width	1'-9 5/8"	1'-4 1/2"	1'-9 5/8"	1'-9 1/4"	1'-7 1/2"	Fits Narroline® windows made after 1967
	Maximum Width	3'-9 5/8"	3'-9 5/8"	3'-9 5/8"	3'-8 7/8"	3'-3 1/2"	
	Minimum Height	3'-0 7/8"	2'-3 3/4"	3'-0 7/8"	3'-0 3/8"	2'-11 1/2"	
	Maximum Height	6'-4 7/8"	6'-5"	7'-8 7/8"	7'-6 5/8"	5'-11 1/2"	
	Custom Sizes 	●	●	●	●		

*Dark Bronze and Black interiors are only available with Dark Bronze and Black exteriors respectively. Printing limitations prevent exact color duplication.

PRODUCTS AT A GLANCE

CASEMENT | AWNING | GLIDING WINDOWS



400 SERIES CASEMENT WINDOWS

The Andersen® 400 Series casement window is our best-selling casement window. It starts with a design that is extremely energy efficient. The sash is solid wood and covered inside and out by low-maintenance Perma-Shield® cladding to protect against water damage. And the interior features rich, natural pine that creates a perfect frame for art glass and grille patterns.

For more information, see page 31.



StormWATCH
PROTECTION

This product is available with Stormwatch® protection. Visit andersenwindows.com/coastal for more details.



400 SERIES REPLACEMENT CASEMENT WINDOWS

The casement window that set the standard for performance and durability comes ready for replacement. Provided with predrilled, through-the-jamb installation holes and the nailing flange removed. Special replacement extension jambs are also available to preserve the original alignment of trim and paint lines. **Installation materials included. For more information, see page 49.**



400 SERIES AWNING WINDOWS

These windows are built on the same platform as our casement windows and deliver the same outstanding performance. **For more information, see page 31.**



StormWATCH
PROTECTION

This product is available with Stormwatch® protection. Visit andersenwindows.com/coastal for more details.



400 SERIES REPLACEMENT AWNING WINDOWS

Like our replacement casement, this window comes without a nailing flange and is available with special replacement extension jambs to preserve the original alignment of trim and paint lines. It also has predrilled, through-the-jamb installation holes, so it installs easily from inside or out. **Installation materials included. For more information, see page 49.**



400 SERIES GLIDING WINDOWS

In addition to providing superior energy efficiency, reliable performance and uncommon beauty, both sash on our 400 Series gliding windows can be opened for improved ventilation.

For more information, see page 123.



200 SERIES GLIDING WINDOWS

Andersen® 200 Series gliding windows are available in our most popular sizes. They come with low-maintenance exteriors and real wood or prefinished white interiors. **For more information, see page 227.**



CASEMENT, AWNING & GLIDING WINDOW FEATURES

400 SERIES CASEMENT
 400 SERIES REPLACEMENT CASEMENT
 400 SERIES AWNING
 400 SERIES REPLACEMENT AWNING
 400 SERIES GLIDING
 200 SERIES GLIDING

Low-Maintenance Exteriors

	White	●	●	●	●	●	●
	Canvas	●	●	●	●	●	
	Sandtone	●	●	●	●	●	●
	Terratone	●	●	●	●	●	
	Forest Green	●	●	●	●	●	
	Dark Bronze	●	●	●	●	●	
	Black	●	●	●	●	●	

Interiors

	Pine	●	●	●	●	●	●
	White	●	●	●	●	●	●
NEW!	Dark Bronze*	●	●	●	●	●	
NEW!	Black*	●	●	●	●	●	

Grilles

	Full Divided Light	●	●	●	●	●	
	Simulated Divided Light	●	●	●	●	●	●
	Finelight™ (Grilles-Between-the-Glass)	●	●	●	●	●	●
	Removable Interior Grilles	●	●	●	●	●	●

Performance Options

	Stormwatch® Protection	●		●			
--	------------------------	---	--	---	--	--	--

High-Performance Glass Additional glass options are available. See page 10 for details.

	Low-E4®	●	●	●	●	●	
	Low-E4 Sun	●	●	●	●	●	
	Low-E4 SmartSun™	●	●	●	●	●	
	Low-E						●
	Low-E Sun						
	Low-E SmartSun						●

Unit Sizes

	Minimum Width	1'-5"	1'-5"	2'-0 1/8"	2'-0 1/8"	2'-11 1/4"	2'-11 1/2"
	Maximum Width	7'-0 5/8"	7'-0 5/8"	5'-11 7/8"	5'-11 7/8"	5'-11 1/4"	5'-11 1/2"
	Minimum Height	2'-0 1/8"	2'-0 1/8"	1'-5"	1'-5"	1'-10 1/4"	1'-5 1/2"
	Maximum Height	5'-11 7/8"	5'-11 7/8"	4'-0"	4'-0"	4'-11 1/4"	4'-11 1/2"

Custom Sizes

	●	●	●	●		
--	---	---	---	---	--	--



For more shapes, colors and wood species, see page 29.

PRODUCTS AT A GLANCE

*Dark Bronze and Black interiors are only available with Dark Bronze and Black exteriors respectively. Printing limitations prevent exact color duplication.

SPECIALTY WINDOWS

400 SERIES SPECIALTY WINDOWS

Andersen® specialty windows are more than a collection of stylish shapes. They're also an opportunity to take advantage of our 110-plus years of experience and craftsmanship to distinguish your customers' homes, your work and your designs from everyone else's. Whether it's a bold signature statement with a custom-designed arch window or a delicate lighting accent, Andersen makes it easy to create the look you and your customers want. **For more information, see page 129.**



CUSTOM SIZES



StormWATCH
PROTECTION

Specialty and Flexiframe® windows are available with Stormwatch® protection. Visit andersenwindows.com/coastal for more details.



SPRINGLINE™



SPRINGLINE™ FLANKER



OVAL



EXTENDED GOTHIC



HALF CIRCLE*



ARCH



CIRCLE

* Half circle window for a 400 Series double-hung window shown. Half circle profiles are also available to match 400 Series casement and awning windows and 200 Series double-hung windows.



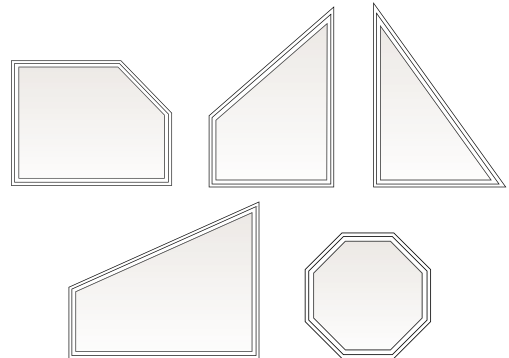
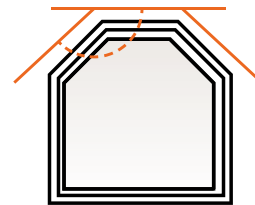
FLEXIFRAME® WINDOWS

Flexiframe® windows are available in custom sizes and can be designed in nearly any shape made with straight lines, providing no angle is less than 14 degrees. When other window companies say it can't be done, Andersen does it easily — and beautifully.

For more information, see page 146.



CUSTOM SIZES



ALTERNATIVE SHAPES

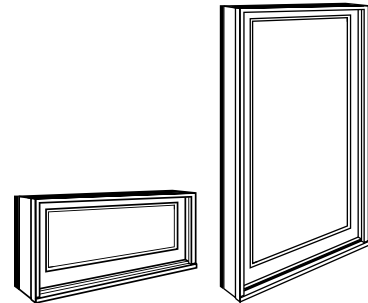
PICTURE & TRANSOM WINDOWS



Andersen makes picture and transom windows to complement the sizes and profiles of Andersen® 400 Series double-hung, casement and awning windows, as well as Andersen 200 Series double-hung windows.



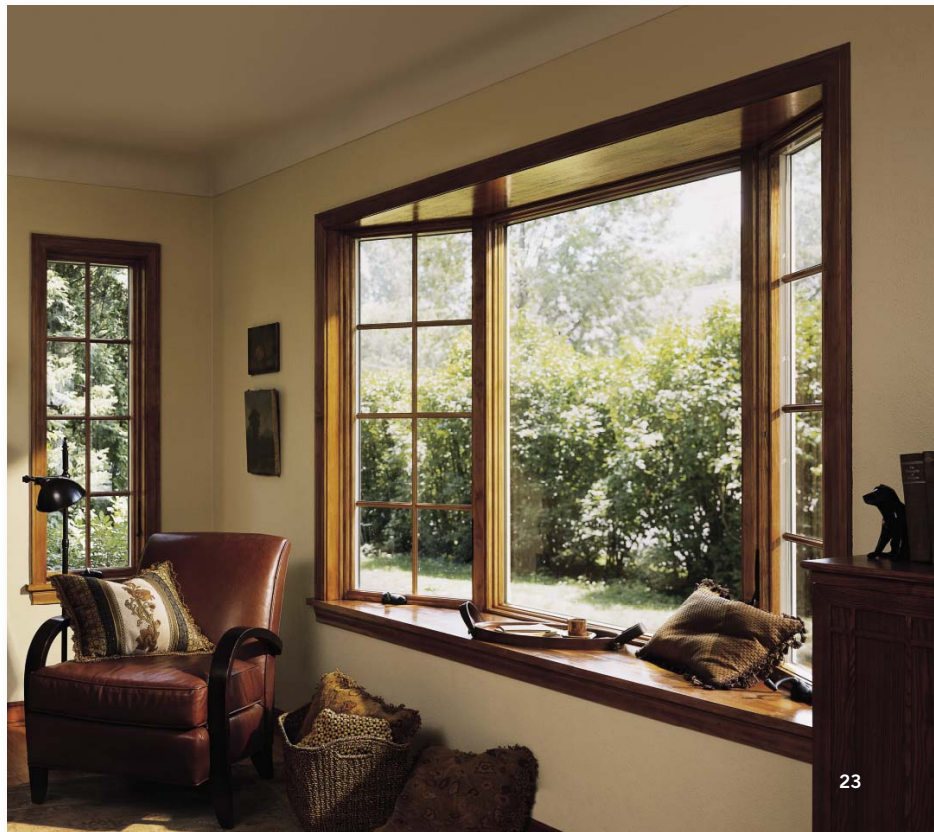
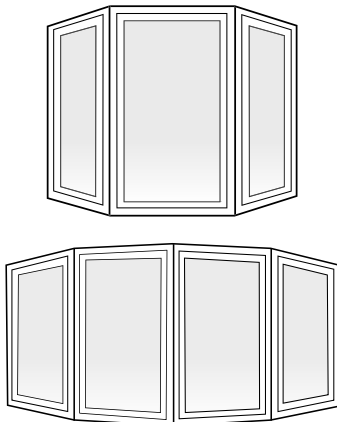
400 Series picture and transom windows are available with Stormwatch® protection. For more details, visit andersenwindows.com/coastal.



BAY & BOW WINDOWS

Andersen® 400 Series bay and bow units feature all of the individual qualities of our Woodwright® tilt-wash and casement windows. Custom sizes are available for casement units. And all offer a choice of unfinished pine, oak, maple, or prefinished White, Dark Bronze or Black head and seat boards. We also offer a cable support system for easier installation.

For more information, see page 109.



GLIDING PATIO DOORS



400 SERIES FRENCHWOOD® GLIDING PATIO DOORS

With their wide wood profiles, Frenchwood® gliding patio doors have the old-world character of traditional French doors, but also offer the convenience and space savings no hinged door can provide. Frenchwood® gliding doors also offer an extensive array of options and accessories and are available in two- and four-panel configurations to fit virtually any size requirement.

For more information, see page 153.



200 SERIES NARROLINE® GLIDING PATIO DOORS

Our 200 Series Narroline® gliding patio doors combine the beauty of natural wood with sleek contemporary profiles to maximize views. Available in two- and four-panel configurations to fit virtually any size requirement.

For more information, see page 233.



200 SERIES PERMA-SHIELD® GLIDING PATIO DOORS

Perma-Shield® gliding patio doors are protected inside and out with rigid vinyl cladding to give homes a contemporary look while keeping maintenance to a minimum. Available in two-panel configurations.

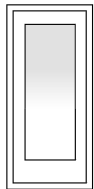
For more information, see page 241.



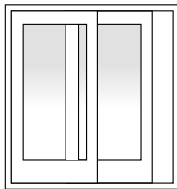


PANEL CONFIGURATIONS

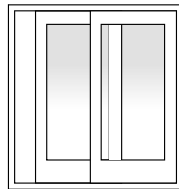
Andersen® gliding patio doors are available in the following panel configurations. See individual product sections for further details. Two-panel configurations are available assembled and unassembled for jobsite convenience. Examples below shown from exterior.



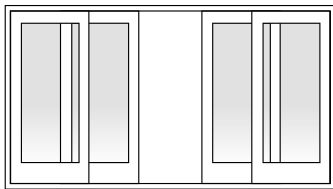
Stationary Panel



Two-Panel Right Open



Two-Panel Left Open



Four-Panel Center Open

BLINDS-BETWEEN-THE-GLASS

Now available on select 400 Series Frenchwood® gliding patio doors and 200 Series Perma-Shield® gliding patio doors. Placed between two panes of insulated glass, these aluminum slat blinds are away from dust, dirt and damage. And a smooth, simple operation lets your customers control their view.

For more information, see pages 155 and 242.



GLIDING PATIO DOOR FEATURES		400 SERIES FRENCHWOOD®	200 SERIES NARROLINE®	200 SERIES PERMA-SHIELD®
Low-Maintenance Exteriors				
	White	●	●	●
	Canvas		●	●
	Sandtone	●	●	●
	Terratone	●	●	●
	Forest Green	●		
	Dark Bronze		●	●
	Black		●	●
Interiors				
	Maple	●		
	Oak	●		
	Pine	●	●	
	White	●		
	Same as Exterior			●
Grilles				
	Full Divided Light	●		
	Simulated Divided Light	●	●	●
	Finelight™ (Grilles-Between-the-Glass)	●	●	●
	Removable Interior Grilles	●	●	●
High-Performance Glass Additional glass options are available. See page 10 for details.				
	Low-E4® Tempered	●		
	Low-E4 Sun Tempered	●		
	Low-E4 SmartSun™ Tempered	●		
	Low-E Tempered		●	●
	Low-E Sun Tempered		●	●
	Low-E SmartSun Tempered		●	●
Unit Sizes				
	Minimum Width	4'-11 1/4"	4'-11 1/4"	4'-11 1/4"
	Maximum Width	15'-9"	15'-9"	8'-0"
	Minimum Height	6'-7 1/2"	6'-7 1/2"	6'-7 1/2"
	Maximum Height	7'-11 1/2"	7'-11 1/2"	7'-11 1/2"
	Custom Sizes	●	●	●

PRODUCTS AT A GLANCE

HINGED PATIO DOORS



400 SERIES FRENCHWOOD® HINGED INSWING PATIO DOORS

Frenchwood® hinged inswing patio doors feature traditional styling with pine, oak, maple or prefinished white interior options. They come with a three-point locking system for enhanced security and performance. Available in one-, two- and three-panel configurations.

For more information, see page 161.



200 SERIES HINGED INSWING PATIO DOORS

Our 200 Series hinged inswing patio doors are built with fiberglass panel construction, traditional styling, white interiors and three exterior colors. Their hook-deadbolt lock provides extra strength, a more weathertight seal and added security compared to ordinary deadbolt locks. They are available in one- and two-panel configurations. **For more information, see page 247.**



SIDELIGHTS, TRANSOMS & STATIONARY PANELS

For a special design touch, frame any Andersen® patio door with a border of Andersen® sidelights, transoms or stationary panels. They dramatize the exterior appearance, enhance the view and create a larger wall of light.

For more information, see page 171.



**For more shapes, colors and wood species,
see pages 28-29.**

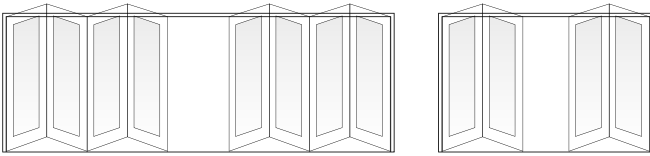


HINGED PATIO DOOR FEATURES		400 SERIES FRENCHWOOD® INSWING	200 SERIES HINGED INSWING
Low-Maintenance Exteriors			
	White	●	●
	Sandtone	●	●
	Terratone	●	●
	Forest Green	●	
Interiors			
	Maple	●	
	Oak	●	
	Pine	●	
	White	●	●
Grilles			
	Full Divided Light	●	
	Simulated Divided Light	●	●
	Finelight™ (Grilles-Between-the-Glass)	●	●
	Removable Interior Grilles	●	●
High-Performance Glass Additional glass options are available. See page 10 for details.			
	Low-E4® Tempered	●	
	Low-E4 Sun Tempered	●	
	Low-E4 SmartSun™ Tempered	●	
	Low-E Tempered		●
	Low-E Sun Tempered		●
	Low-E SmartSun Tempered		●
Unit Sizes			
	Minimum Width	4'-0"	4'-0"
	Maximum Width	8'-11 1/8"	5'-11 1/4"
	Minimum Height	6'-7 1/2"	6'-7 1/2"
	Maximum Height	7'-11 1/2"	7'-11 1/2"
	Custom Sizes 	●	

BIG DOORS

FOLDING DOORS

When closed, they are a stately wall of light. When open, they fold virtually out of sight. Choose from configurations up to 48 feet wide and operating modes that allow the doors to open from the left, right or center. **For more information, see page 185.**



As shown from the interior



PRODUCTS AT A GLANCE

Printing limitations prevent exact color duplication.

ENTRANCEWAYS



Andersen® Entranceways combine exceptional beauty and detail with dramatic sizes and shapes to turn ordinary entranceways into grand statements.

For more information, see page 191.

- The very finest grades of oak, maple, cherry, pine, mahogany, alder and fir. Other wood species are available through special order.
- Divided light grilles in standard and custom patterns.
- Sidelights and transoms give you increased design flexibility.
- Optional handle hardware comes in a variety of styles and finishes.
- A wide variety of glass options offer energy efficiency and beauty. Decorative glass options are also available.



*Actual wood is Sapele, a non-endangered species of mahogany, grown in Africa, with color and characteristics similar to American mahoganies.

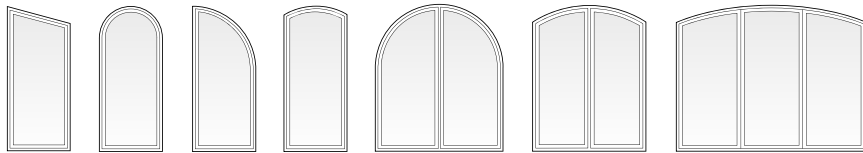
COMPLEMENTARY WINDOWS & CURVED TOP PATIO DOORS

These windows and patio doors are carefully handcrafted to complement our 400 Series products with dramatic sizes and extraordinary shapes to give homes a signature look. They include casement and specialty windows, as well as curved top hinged inswing and outswing doors. Custom sizes and shapes are also available.

CASEMENT WINDOWS

Andersen complementary casement windows offer easy operation along with old-world style. They include French casements — twin sash inside one frame with, unlike ordinary casements, no mullion bar between them, providing a totally unobstructed view. Complementary casement windows are available in rectangles, trapezoids and a variety of arched shapes.

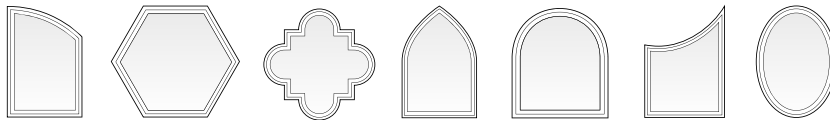
For more information, see page 53.



SPECIALTY WINDOWS

Andersen specialty windows let you choose from 35 uncommon shapes, including elegant arches, striking angles and compelling curves.

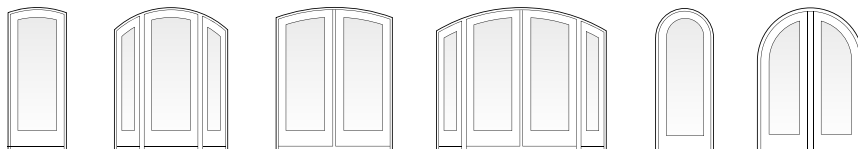
For more information, see page 149.



CURVED TOP PATIO DOORS

With features like Romanesque arches, towering transoms and insulated decorative art glass, nothing else quite matches the grandeur curved top patio doors can bring to a home.

For more information, see page 175.



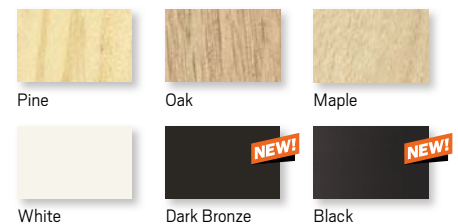
PRODUCTS AT A GLANCE

EXTERIOR & INTERIOR OPTIONS

EXTERIOR COLORS



INTERIOR OPTIONS

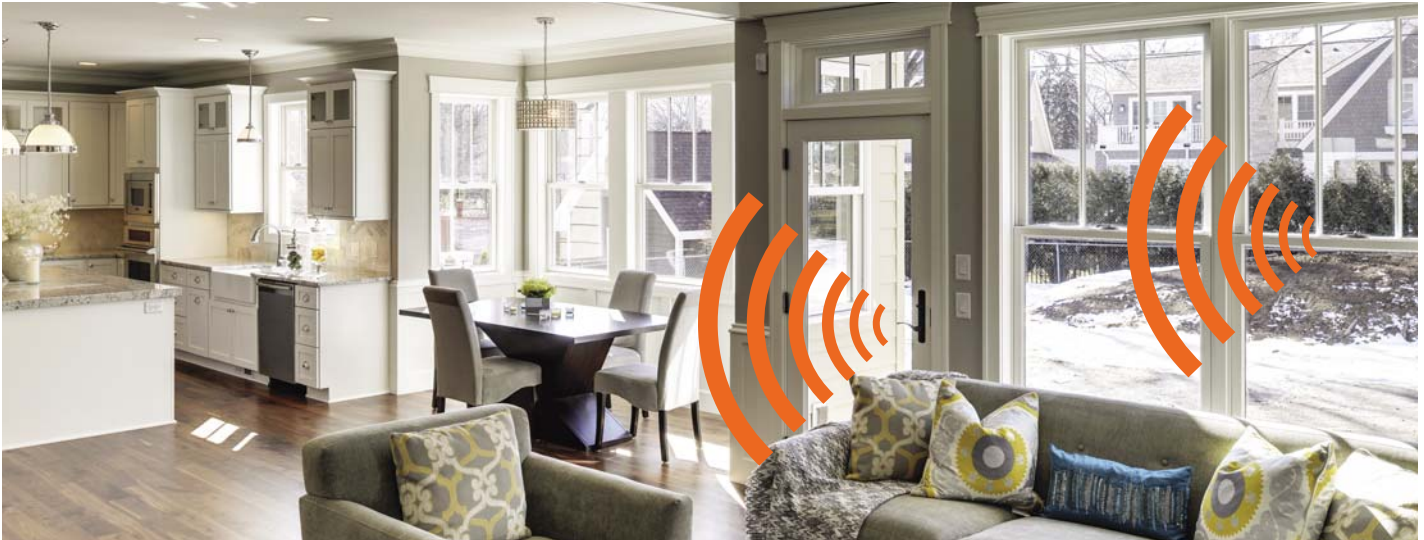


Printing limitations prevent exact color duplication. See your Andersen supplier for actual color samples. Naturally occurring variations in grain, color and texture of wood make each window one-of-a-kind.

VERILOCK® SECURITY SENSORS

SMARTEST TECHNOLOGY FOR THE SMARTEST HOMES

With the most advanced technology in the industry, patented VeriLock® sensors not only indicate whether windows and patio doors are open, they even know if they are locked or unlocked.* **No other sensors can do that.**



HELPS MAXIMIZE ENERGY EFFICIENCY

Windows that are closed and locked are more energy efficient than windows that are closed, but unlocked. VeriLock sensors know which windows and doors are open or unlocked* so homeowners can manage their units for maximum energy efficiency.

MAINTAINS WARRANTY

Other sensors require drilling which can void warranties. Our sensors require no drilling and come with their own limited warranty.**

PRESERVES BEAUTY

VeriLock sensors come in a variety of colors to complement many Andersen hardware and interior finishes.

COLORS



White

Gold Dust

Taupe Gray

Stone

Black



**400 SERIES
CASEMENT/AWNING**

Black | Gold Dust | Stone
Taupe Gray | **White**



**400 SERIES
FRENCHWOOD® HINGED
PATIO DOORS**

Black | Stone
Taupe Gray | White



**400 SERIES
TILT-WASH DOUBLE-HUNG**

Black | Gold Dust
Stone | White

**400 SERIES/200 SERIES
GLIDING PATIO DOORS**

Black | Stone
Taupe Gray | White

Bold name denotes finish shown.

WIRELESS OPEN/CLOSED SENSORS

EASY & RELIABLE MONITORING

These wireless sensors provide the peace of mind of knowing whether windows and patio doors are open or closed.* No tools are required to install. Simply place the mounting sensor on a window or patio door and line up the magnet with the sensors until the LED glows blue. See product installation instructions for details.



White

Canvas

Sandtone

Dark Bronze

*When properly configured and maintained with a professionally installed security system and/or self-monitoring system compatible with Honeywell® 5800 controls. See your Andersen supplier for more information.

**Visit andersenwindows.com/warranty for details.

CASEMENT & AWNING WINDOWS

CUSTOM SIZING
in 1/8" (3) increments



400 Series
Casement & Awning
Windows

SECTION REFERENCE

Alignment Grid.....	34-35
Tables of Sizes	36-40
Specifications	41-44
Custom Sized Windows	45
Grille Patterns	46
Window Details	47-48
Joining Details.....	48
Combination Designs	255
Product Performance.....	269
Warranty.....	290-291

Dimensions in parentheses are in millimeters.

CASEMENT & AWNING WINDOWS

FEATURES

Frame

A A seamless one-piece, rigid vinyl frame cover is secured to the exterior of the frame to protect the wood frame from moisture and maintain an attractive appearance while minimizing maintenance.

B The seamless rigid exterior vinyl cover extends 1 3/8" (35) around the perimeter of the unit. This creates a flange to help seal the unit to the structure.

C Wood frame members are treated with a water-repellent preservative for long-lasting* protection and performance.

D Interior stops are unfinished pine. Low-maintenance prefinished White, Dark Bronze and Black interiors are also available.

Sash

E Rigid vinyl encases the entire sash — a vinyl weld protects each sash corner for superior weathertightness. It maintains an attractive appearance and minimizes maintenance.

F Wood core members provide excellent structural stability and energy efficiency.

G Flexible bulb weatherstripping or vinyl closed-cell foam weatherstripping is factory installed on the perimeter of the sash.

Glass

H A glazing bead and silicone provide superior weathertightness and durability.

I High-Performance glass options include:

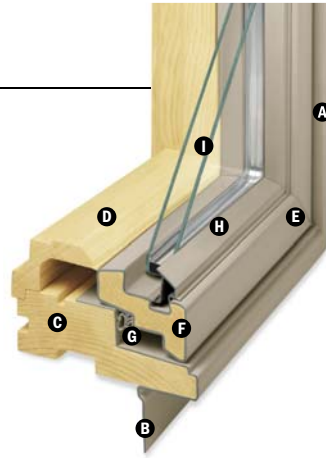
- Low-E4® glass
- Low-E4 HeatLock® glass
- Low-E4 Sun glass
- Low-E4 SmartSun™ glass
- Low-E4 SmartSun HeatLock glass

Tempered glass and other glass options are available. Contact your Andersen supplier.

A removable translucent film helps shield the glass from damage during delivery and construction and simplifies finishing at the jobsite.

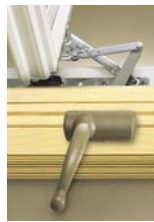
Patterned Glass

Patterned glass options are available. See page 10 for more details.



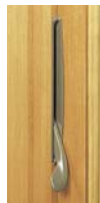
Hardware

Smooth Control Hardware System



The smooth control hardware system employs a worm gear drive for easy operation. Units with a split-arm operator move the sash away from the frame to provide easier glass

cleaning. **CXW15**, **CXW155**, **CXW16** and **CXW25** sizes are not available with split-arm hardware. Hardware option and finish must be specified. Operator handle and cover sold separately.



Single-Actuation Casement Lock

On casement windows, a single-actuation lock easily releases all locking points on casement sash while the reach-out action eliminates binding when closing. The lock handle is offered in finishes that coordinate with your specified hardware option.

Awning Sash Locks



Awning sash locks provide an added measure of security and weathertightness. Hardware style and finish options are compatible with Andersen® casement windows to ensure consistency in appearance when used in combination designs.

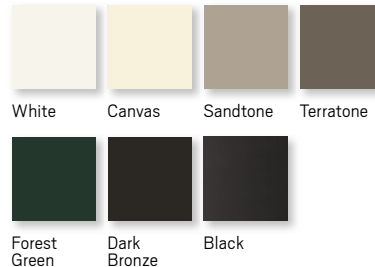
StormWATCH PROTECTION

Casement and awning windows are available with Stormwatch® protection. Visit andersenwindows.com/coastal for more details.

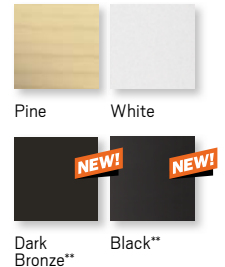
Performance Grade (PG) Upgrade

Performance upgrades are available for select casement and awning sizes, allowing these units to achieve higher performance ratings. Performance Grade (PG) Ratings replace Design Pressure (DP) Ratings for measuring product performance. For up-to-date performance information of individual products visit andersenwindows.com. Contact your Andersen supplier for availability.

EXTERIOR



INTERIOR



Naturally occurring variations in grain, color and texture of wood make each window one-of-a-kind. All wood interiors are unfinished unless a prefinished option is specified.

HARDWARE FINISHES



Distressed bronze and oil rubbed bronze are "living" finishes that will change with time and use.

CASEMENT & AWNING HARDWARE OPTIONS†

CLASSIC SERIES™



Stone | **White**

ESTATE™



Antique Brass | Bright Brass
Brushed Chrome | Distressed Bronze
Distressed Nickel | Oil Rubbed Bronze
Polished Chrome | Satin Nickel

TRADITIONAL FOLDING



Antique Brass | Black | Bright Brass
Distressed Bronze | Distressed Nickel
Gold Dust | Oil Rubbed Bronze | Satin Nickel
Stone | White

CONTEMPORARY FOLDING



Black | Bright Brass
Gold Dust | Oil Rubbed Bronze
Satin Nickel | Stone | White

Folding handle avoids interference with window decorating treatments.
Bold name denotes finish shown.

* Visit andersenwindows.com/warranty for details.

** Dark Bronze and Black interiors are only available with Dark Bronze and Black exteriors respectively.

† Hardware sold separately.

Dimensions in parentheses are in millimeters.

Printing limitations prevent exact duplication of colors and finishes. See your Andersen supplier for actual color and finish samples.

ACCESSORIES Sold Separately

Frame

Extension Jamb



Standard jamb depth is 2 7/8" (73). Extension jambs are available in unfinished pine or prefinished White. Some sizes may be veneered.

Factory-applied and non-applied interior extension jambs are available in 1/16" (1.5) increments between 4 9/16" (116) and 7 1/8" (181). Extension jambs can be factory applied to either three sides (stool and apron application) or four sides (picture frame casing).

Thick Replacement Extension Jambs

To help preserve original alignment of trim and paint lines in replacement situations, special 1 1/8" (29) thick replacement extension jambs are available. Factory-applied and non-applied extension jambs are available in 1/16" (1.5) increments between 4 9/16" (116) and 7 1/8" (181). Non-applied extension jambs are available in 12" (3658) lineals. Detail on page 46.

Drywall Return Bead



A drywall return bead is available in a narrow or wide dimension with unfinished pine or prefinished White interiors. Can be ordered factory-applied or in non-applied lineals. Detail on page 46.

For more information about **glass, patterned glass, art glass, grilles and TruScene® insect screen** see pages 10-17.

For more information about **combination designs, product performance, installation accessories and warranty** see pages 255-291 or visit

 andersenwindows.com

Hardware

Corrosion-Resistant Components



Corrosion-resistant hinge and operator arm hardware is designed for applications in harsh and corrosive environments such as heavy industrial or coastal areas.

Window Opening Control Device Kit



A Window Opening Control Device Kit is available, which limits sash travel to less than 4" (102) when the window is first opened. Available in Stone, White and Black.

Special Use Operator Handles

Available in Classic Series™ design only.

Compact Operator Handle



Specially designed for use in situations

where blinds or other window treatments interfere with standard operator handle. Available in White or Stone finish.

Easy-Grip Handle

Larger knob makes it easier to grip and operate. Available in White or Stone finish.



Metal T-Handle



Our smallest operator handle, the metal T-handle may make it more difficult for young children (5 and under) to open the window.

For more information on child safety, write: Andersen Corporation LookOut for Kids® Program 100 Fourth Avenue North Bayport, MN 55003 Call 1-800-313-8889 or email us at: lofk@andersencorp.com

Operator Spline Cover



An operator spline cover is an attractive cap that covers the roto operator stud when the handle has been removed to control access or operation of the window. The operator spline cover should not be used on any window designated or intended for emergency escape or rescue. Please consult your local building code official for local egress code requirements.

Power Operator for Awning Windows



Awning windows can now be ordered with an operator enhanced by PowerAssist™ technology that opens and closes the window with the touch of a button. Easy to install, the 24-volt system features a concealed window power drive, battery back-up in case of a power outage and a moisture sensor that automatically closes the window when it rains. A wireless remote is available (sold separately).

The PowerAssist system is controlled by a wall-mounted console, which includes a power box, battery, touch pad and mounting bracket. Windows can be ordered factory-prepped to save time or ordered as a field kit. Power driver requires field installation.

PowerAssist technology eliminates the need for sash locks. Available for windows up to five feet wide. Not available with Stormwatch® protection or PG upgrades.

Security Sensors

VeriLock® Sensors

VeriLock sensors are available in five colors. See page 30 for details.

Open/Closed Sensors

Wireless open/closed sensors are available in four colors. See page 30 for details.

Glass

Andersen® Art Glass

Andersen art glass panels come in a variety of original patterns. See pages 213-214 for details on Andersen art glass. Visit andersenwindows.com/artglass for details and pattern information.

Insect Screens

TruScene® Insect Screen



Exclusive Andersen® TruScene® insect screens provide over 50% more clarity than our conventional insect screens for a beautiful unobstructed view. They allow more fresh air and sunlight in, while doing a better job of keeping out small insects. For casement and awning windows, they are available with Stone, White, Dark Bronze or Black-colored frames or with pine veneer frame interiors to blend with the wood interior of the window.

Conventional Insect Screen

Conventional insect screens have charcoal powder-coated aluminum screen mesh. Available with frames in White, Stone, Dark Bronze or Black.

Grilles

Grilles are available in a variety of configurations and widths. For casement and awning grille patterns, see page 46.

Exterior Trim

This product is available with Andersen® Exterior Trim. See pages 215-220 for details.

CAUTION:

- Painting and staining may cause damage to rigid vinyl.
- Do not paint 400 Series windows with White, Canvas, Sandtone, Forest Green, Dark Bronze or Black exterior colors.
- Andersen does not warrant the adhesion or performance of homeowner-applied paint over vinyl or other factory-coated surfaces
- 400 Series windows in Terratone color may be painted any color lighter than Terratone color using quality oil-base or latex paint.
- For vinyl painting instructions and preparation, contact your Andersen supplier.
- Do not paint weatherstripping.
- Creosote-based stains should not come in contact with Andersen products.
- Abrasive cleaners or solutions containing corrosive solvents should not be used on Andersen products.

* Visit andersenwindows.com/warranty for details. Dimensions in parentheses are in millimeters.

CASEMENT & AWNING WINDOWS

Alignment Grid for Standard Size Casement, Awning, Picture and Transom Windows

	1'-5"	1'-8 1/2"	2'-0 1/8"	2'-4 3/8"	2'-7 1/2"	2'-9 3/4"	2'-11 15/16"	3'-4 3/4"	3'-4 13/16"	4'-0"									
Specialty	(432)	(521)	(613)	(721)	(800)	(857)	(913)	(1035)	(1037)	(1219)									
See the specialty window section, starting on page 129, for these and other specialty shapes and sizes.			AFC106 AFC11	AFCW106 AFCW11	CTQC1	CTQCX1	AFCP3006 AFCP301	CTQA3	CTCXW1	AFC206 AFC21									
			CTC1	CTCW1	CTCX1					CTC2									
Transom																			
1'-0"	(305)	CTR1510	CTR1810	CTR2010	CTR2410	CTR2810	CTR2910	CTR3010	PTR3010	CTR3410 CTR21810	PTR3510	CTR4010 CTR22010	PTR4010						
Awning																			
1'-5"	(432)		AR21	AR251	AR281		AR31		AR351	AR41	AR221								
1'-8 1/2"	(521)		AN21	AN251	AN281		AN31		AN351	AN41	AN221								
2'-0 1/8"	(613)		A21	A251	A281		A31		A351	A41	A221								
2'-4 3/8"	(721)		AW21	AW251	AW281		AW31		AW351	AW41	AW221								
2'-7 1/2"	(800)			AX251	AX281		AX31		AX351	AX41									
2'-11 15/16"	(913)				AXW281		AXW31		AXW351	AXW41									
3'-4 3/4"	(1035)						A335		A3535										
Casement, Awning and Picture																			
2'-0 1/8"	(613)	CR12	CN12	C12	CW12			CN22		C22									
2'-4 3/8"	(721)	CR125	CN125	C125	CW125	CX125		CN225		C225									
2'-11 15/16"	(913)	CR13	CN13	C13	CW13	CX13	CR23	CXW13	P3030	CN23	P3530	C23	P4030						
3'-4 13/16"	(1037)	CR135	CN135	C135	CW135	CX135	CR235	CXW135	P3035	CN235	P3535	C235	P4035						
4'-0"	(1219)	CR14	CN14	C14	A212	CW14	CX14	CR24	CXW14	A312	AP32V	P3040	CN24	AP352V	P3540	C24	AP42V	P4040	
4'-4 13/16"	(1341)	CR145	CN145	C145	CW145	CX145	CR245	CXW145	P3045	CN245	P3545	C245	P4045						
4'-11 7/8"	(1521)	CR15	CN15	C15	CW15	CX15	CR25	CXW15	PA3050*	P3050	CN25	PA3550*	P3550	C25	P4050				
5'-4 13/16"	(1646)	CR155	CN155	C155	CW155	CX155	CR255	CXW155	P3055	CN255	P3555	C255	P4055						
5'-11 7/8"	(1826)	CR16	CN16	C16	A213	CW16	CX16	CR26	CXW16	PA3060	AXW312**	A313	P3060	CN26	PA3560	P3560	C26	PA4060	P4060

* Dimensions in parentheses are in millimeters.

*Actual height of 4'-11 13/16" (1519).

**Actual height of 5'-11 5/8" (1819).

Similar jamb profiles enable these standard-size windows to be combined in multiple combinations. Custom-size windows are also available.

Window widths and heights shown. See individual size charts for additional dimensions.

In addition to venting configurations shown, other standard configurations are available.

4'-4 13/16" (1341)	4'-8 1/2" (1435)	4'-11 7/8" (1521)	5'-1" (1549)	5'-2 3/4" (1594)	5'-4 13/16" (1646)	5'-11 5/8" (1819)	5'-11 7/8" (1826)	7'-0 5/8" (2149)
	AFCW206 AFCW21							
	CTCW2			CTCX2			CTC3	
PTR4510	CTR4810 CTR22410	PTR5010	CTR5110 CTR31810	CTR5210 CTR22810	PTR5510	CTR51110 CTR23010	CTR6010 CTR32010	PTR6010 CTR7010 CTR32410
AR451 AN451 A451 AW451 AX451 AXW451	AR2251 AN2251 A2251 AW2251 AX2251	AR51 AN51 A51 AW51 AX51 AXW51	AR2281 AN2281 A2281 AW2281 AX2281 AXW2281	AR551 AN551 A551 AW551 AX551 AXW551	AR231 AN231 A231 AW231 AX231 AXW231	AR61 AN61 A61 AW61 AX61 AXW61	AR321 AN321 A321 AW321 AX321	AR3251 AN3251 A3251 AW3251 AX3251
	CW22 CW225 CW23 CW235 CW24 CW245 CW25 CW255 CW26		CN32 CN325 CN33 CN335 CN34 CN345 CN35				C32 C325 C33 C335 C34 C345 C35	CW32 CW325 CW33 CW335 CW34 CW345 CW35
P4530 P4535 P4540 P4545 P4550 P4555 P4560		P5030 P5035 P5040 P5045 P5050 P5055 P5060		CX23 CX235 CX24 CX245 CX25	P5530 P5535 P5540 P5545 P5550	CXW23 CXW235 CXW24 CXW245 CXW25	P6030 P6035 P6040 P6045 P6050	

CASEMENT & AWNING WINDOWS

Table of Casement and Transom Window Sizes

Scale 1/8" (3) = 1'-0" (305) – 1:96

Window Dimension	1'-5"	1'-8 1/2"	2'-0 1/8"	2'-4 3/8"	2'-7 1/2"	2'-11 15/16"	2'-9 3/4"	3'-4 3/4"	4'-0"	4'-8 1/2"
	(432)	(521)	(613)	(721)	(800)	(913)	(857)	(1035)	(1219)	(1435)
Minimum Rough Opening	1'-5 1/2" (445)	1'-9" (533)	2'-0 5/8" (625)	2'-4 7/8" (733)	2'-8" (813)	3'-0 1/2" (927)	2'-10 1/4" (870)	3'-5 1/4" (1048)	4'-0 1/2" (1232)	4'-9" (1448)
Unobstructed Glass (casement, single sash only)	12 5/8" (321)	16 1/8" (410)	19 3/4" (502)	24" (610)	27 1/8" (689)	31 9/16" (802)	12 5/8" (321)	16 1/8" (410)	19 3/4" (502)	24" (610)
Unobstructed Glass (transom, single sash only)	12 3/16" (310)	15 11/16" (398)	19 5/16" (491)	23 9/16" (599)	26 11/16" (678)	31 1/8" (791)	28 15/16" (735)	35 15/16" (913)	43 3/16" (1097)	51 11/16" (1313)

CUSTOM WIDTHS – 17" to 84 5/8"

Window Dimension	17"	18 1/2"	20 1/8"	24 3/8"	27 1/2"	31 15/16"	29 3/4"	34 3/4"	40"	48 1/2"
1'-0" (305)										
1'-0" (305)										

CUSTOM WIDTHS – 17" to 35 15/16"

CUSTOM HEIGHTS – 24 1/8" to 71 7/8"

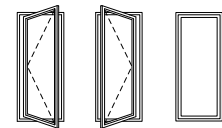
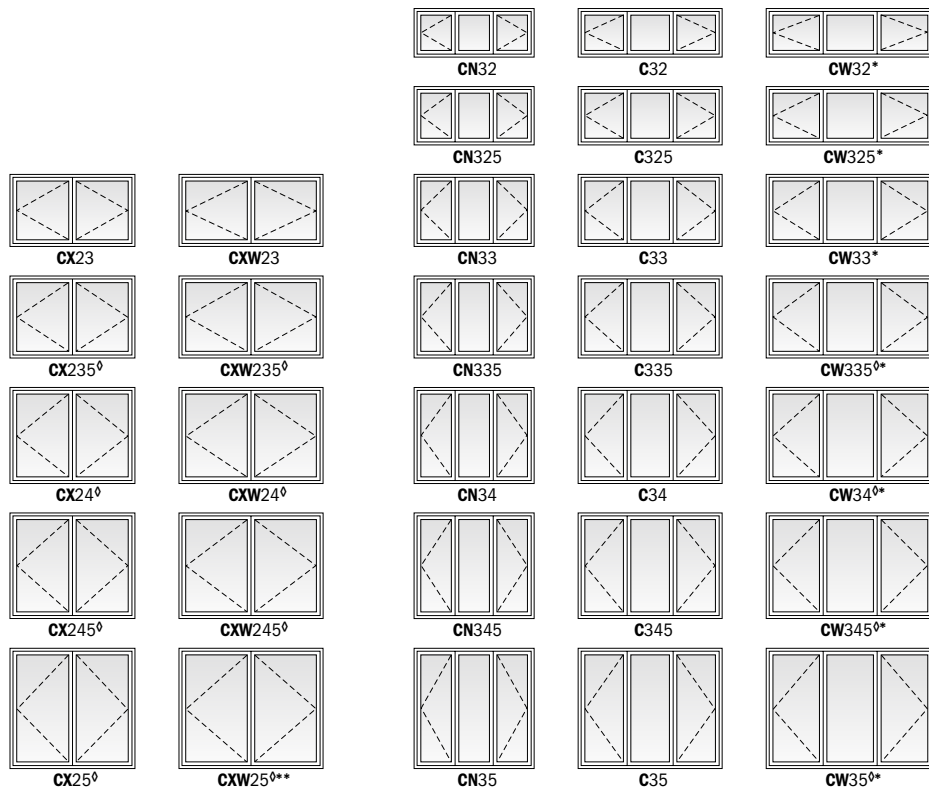
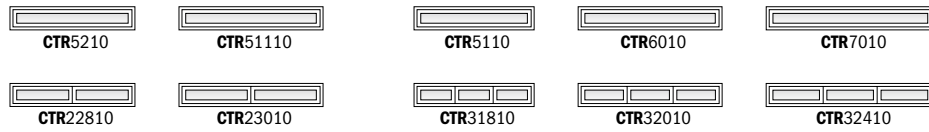
Window Dimension	17"	18 1/2"	20 1/8"	24 3/8"	27 1/2"	31 15/16"	29 3/4"	34 3/4"	40"	48 1/2"
2'-0 1/8" (613)										
2'-4 3/8" (721)										
2'-11 15/16" (913)										
3'-4 13/16" (1037)										
4'-0" (1219)										
4'-4 13/16" (1341)										
4'-11 7/8" (1521)										
5'-4 13/16" (1646)										
5'-11 7/8" (1826)										

• "Window Dimension" always refers to outside frame to frame dimension.
 • "Minimum Rough Opening" dimensions may need to be increased to allow for use of building wraps, flashing, sill panning, brackets, fasteners or other items. See pages 288-289 for more details.
 • Dimensions in parentheses are in millimeters.
 ◊ Meet or exceed clear opening area of 5.7 sq.ft. or 0.53 m², clear opening width of 20" (508) and clear opening height of 24" (610) with appropriate hardware, straight- or split-arm operator, specified. See tables on pages 41-42.
 *Meet clear opening width of 20" (508) using sill hinge control bracket with split-arm operator specified (bracket can be pivoted for cleaning position) and meet clear opening width of 22" (559) with straight-arm operator specified.
 **Available with straight-arm operators only.

5'-2 3/4" (1594)	5'-11 5/8" (1819)	5'-1" (1549)	5'-11 7/8" (1826)	7'-0 5/8" (2149)
5'-3 1/4" (1607)	6'-0 1/8" (1832)	5'-1 1/2" (1562)	6'-0 3/8" (1838)	7'-1 1/8" (2162)
27 1/8" (689)	31 9/16" (802)	16 1/8" (410)	19 3/4" (502)	24" (610)
57 15/16" (1472)	66 13/16" (1697)	56 3/16" (1427)	67 1/16" (1703)	79 13/16" (2027)



Custom-size windows are available in 1/8" (3) increments. Windows can also be custom sized to match standard sizes ending in a sixteenth of an inch. **Single windows only.** See page 45 for custom sizes and specifications.



Left Right Stationary

Choose left, right or stationary as viewed from the exterior. In addition to venting shown in table, other standard configurations are available for single, twin and triple windows. Transom (CTR) windows are stationary only.

Twin and triple windows shown have one continuous outer frame.

Transom (CTR) window can be used over casement or awning windows and may be rotated 90° and used as a sidelight with casement, awning or picture windows.

Grille patterns shown on page 46.

- "Window Dimension" always refers to outside frame to frame dimension.
- **"Minimum Rough Opening" dimensions may need to be increased to allow for use of building wraps, flashing, sill panning, brackets, fasteners or other items. See pages 288-289 for more details.**
- Dimensions in parentheses are in millimeters.
- ◊ Meet or exceed clear opening area of 5.7 sq.ft. or 0.53 m², clear opening width of 20" (508) and clear opening height of 24" (610) with appropriate hardware, straight- or split-arm operator, specified. See tables on pages 41-42.
- *Meet clear opening width of 20" (508) using sill hinge control bracket with split-arm operator specified (bracket can be pivoted for cleaning position) and meet clear opening width of 22" (559) with straight-arm operator specified.
- ** Available with straight-arm operators only.

CASEMENT & AWNING WINDOWS

Table of Awning Window Sizes

Scale 1/8" (3) = 1'-0" (305) – 1:96

Window Dimension	2'-0 1/8" (613)	2'-4 3/8" (721)	2'-7 1/2" (800)	2'-11 15/16" (913)	3'-4 13/16" (1037)	4'-0" (1219)	4'-4 13/16" (1341)	4'-11 7/8" (1521)	5'-4 13/16" (1646)	5'-11 7/8" (1819)
Minimum Rough Opening	2'-0 5/8" (625)	2'-4 7/8" (733)	2'-8" (813)	3'-0 1/2" (927)	3'-5 3/8" (1051)	4'-0 1/2" (1232)	4'-5 3/8" (1356)	5'-0 3/8" (1534)	5'-5 3/8" (1660)	6'-0 3/8" (1832)
Unobstructed Glass (single sash only)	19 5/16" (491)	23 9/16" (598)	26 11/16" (678)	31 1/8" (791)	36" (914)	43 3/16" (1097)	48" (1219)	55 1/16" (1399)	60" (1524)	67 1/16" (1703)

CUSTOM WIDTHS – 24 1/8" to 71 7/8"

CUSTOM HEIGHTS – 17" to 35 15/16"

1'-5" (432)	AR21	AR251	AR281	AR31	AR351	AR41	AR451	AR51	AR551	AR61
1'-8 1/2" (521)	AN21	AN251	AN281	AN31	AN351	AN41	AN451	AN51	AN551	AN61
2'-0 1/8" (613)	A21	A251	A281	A31	A351	A41	A451	A51	A551	A61
2'-4 3/8" (721)	AW21	AW251	AW281	AW31	AW351	AW41	AW451	AW51	AW551	AW61
2'-7 1/2" (800)		AX251	AX281	AX31	AX351	AX41	AX451	AX51	AX551	AX61

CUSTOM WIDTHS > 59 7/8" stationary only

CUSTOM HEIGHTS > 31 1/2" stationary only

2'-11 15/16" (913)	AXW281	AXW31	AXW351	AXW41	AXW451	AXW51	AXW551	AXW61
--------------------	--------	-------	--------	-------	--------	-------	--------	-------

CUSTOM WIDTHS – 24 1/8" to 48" venting only

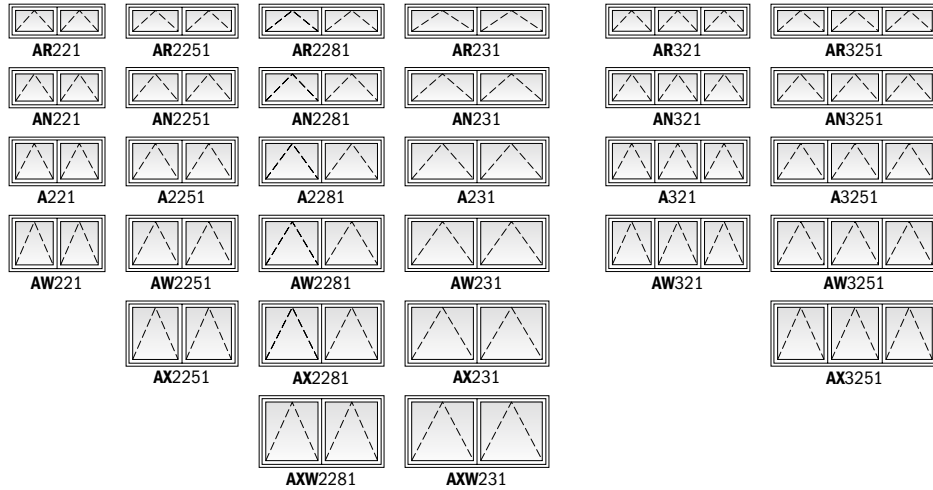
CUSTOM HEIGHTS 35 7/8" to 48" venting only

3'-4 3/4" (1035)	A335	A3535	
4'-0" (1219)	AP32V	AP352V	AP42V

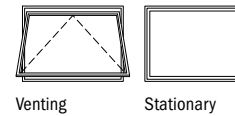
Window Dimension	2'-0 1/8" (613)	2'-11 15/16" (913)	2'-11 15/16" (913)	3'-4 13/16" (1037)	4'-0" (1219)	2'-0 1/8" (613)	2'-11 15/16" (913)
Minimum Rough Opening	2'-0 5/8" (625)	3'-0 1/2" (927)	3'-0 1/2" (927)	3'-5 3/8" (1051)	4'-0 1/2" (1232)	2'-0 5/8" (625)	3'-0 1/2" (927)
4'-0" (1219)	A212 (A21/A21)	A312 (A31/A31)	PA3050 (AXW31/A31)	PA3550 (AXW351/A351)	PA4060 (AP42V/A41)	A213 (A21/A21/A21)	A313 (A31/A31/A31)
4'-11 13/16" (1519)							
5'-11 5/8" (1826)	AXW312 (AXW31/AXW31)	PA3060 (AP32V/A31)	PA3560 (AP352V/A351)				
6'-0 1/8" (1832)							

- "Window Dimension" always refers to outside frame to frame dimension.
- "Minimum Rough Opening" dimensions may need to be increased to allow for use of building wraps, flashing, sill panning, brackets, fasteners or other items. See pages 288-289 for more details.
- Dimensions in parentheses are in millimeters.

4'-0" (1219)	4'-8 1/2" (1435)	5'-2 3/4" (1594)	5'-11 5/8" (1826)	5'-11 7/8" (1826)	7'-0 5/8" (2149)
4'-0 1/2" (1232)	4'-9" (1448)	5'-3 1/4" (1607)	6'-0 1/8" (1832)	6'-0 3/8" (1838)	7'-1 1/8" (2162)
19 5/16" (491)	23 9/16" (598)	26 11/16" (678)	31 1/8" (1703)	19 5/16" (491)	23 9/16" (598)



Custom-size windows are available in 1/8" (3) increments. Windows can also be custom sized to match standard sizes ending in a sixteenth of an inch. **Single windows only.** See page 45 for custom sizes and specifications.



Choose venting or stationary. **AXW551** and **AXW61** windows are stationary only. In addition to venting shown in table, other standard configurations are available for twin, triple and stacked windows.

Twin, triple and stacked windows shown have one continuous outer frame.

Awning window must be installed to vent as shown and should not be rotated and used as a hopper.

Transom (CTR) window can be used over casement or awning windows and may be rotated 90° and used as a sidelight with casement, awning or picture windows.

Grille patterns shown on page 46.

- "Window Dimension" always refers to outside frame to frame dimension.
- "Minimum Rough Opening" dimensions may need to be increased to allow for use of building wraps, flashing, sill panning, brackets, fasteners or other items. See pages 288-289 for more details.
- Dimensions in parentheses are in millimeters.

CASEMENT & AWNING WINDOWS

Table of Picture and Transom Window Sizes

Scale 1/8" (3) = 1'-0" (305) – 1:96

Unit Dimension	2'-11 15/16"	3'-4 13/16"	4'-0"	4'-4 13/16"	4'-11 7/8"	5'-4 13/16"	5'-11 7/8"
	(913)	(1037)	(1219)	(1341)	(1521)	(1646)	(1826)
Minimum Rough Opening	3'-0 1/2"	3'-5 3/8"	4'-0 1/2"	4'-5 3/8"	5'-0 3/8"	5'-5 3/8"	6'-0 3/8"
	(927)	(1051)	(1232)	(1356)	(1534)	(1660)	(1838)
Unobstructed Glass	31 1/8"	36"	43 3/16"	48"	55 1/16"	60"	67 1/16"
	(791)	(914)	(1097)	(1219)	(1399)	(1524)	(1703)

		CUSTOM WIDTHS – 35 15/16" to 71 7/8"						
		CUSTOM WIDTHS – 36" to 59 7/8"					CUSTOM WIDTHS – 60" to 71 7/8"	
1'-0" (305)	1'-0 1/2" (318)	PTR3010 PTR3510 PTR4010 PTR4510 PTR5010					PTR5510 PTR6010	
2'-11 15/16" (913)	3'-0 1/2" (927)	P3030	P3530	P4030	P4530	P5030	P5530	P6030
3'-4 13/16" (1037)	3'-5 3/8" (1051)	P3035	P3535	P4035	P4535	P5035	P5535	P6035
4'-0" (1219)	4'-0 1/2" (1232)	P3040	P3540	P4040	P4540	P5040	P5540	P6040
4'-4 13/16" (1341)	4'-5 3/8" (1356)	P3045	P3545	P4045	P4545	P5045	P5545	P6045
4'-11 7/8" (1521)	5'-0 3/8" (1534)	P3050	P3550	P4050	P4550	P5050	P5550	P6050
5'-4 13/16" (1646)	5'-5 3/8" (1660)	P3055	P3555	P4055	P4555	P5055		
5'-11 7/8" (1826)	6'-0 3/8" (1838)	P3060	P3560	P4060	P4560	P5060		
	67 1/16" (1703)							



Custom-size windows are available in 1/8" (3) increments. Windows can also be custom sized to match standard sizes ending in a sixteenth of an inch. See page 45 for custom sizes and specifications.

Picture and transom (PTR) windows may be rotated 90° to align with casement or awning windows.

Grille patterns shown on page 46.

- "Window Dimension" always refers to outside frame to frame dimension.
- "Minimum Rough Opening" dimensions may need to be increased to allow for use of building wraps, flashing, sill panning, brackets, fasteners or other items. See pages 288-289 for more details.
- Dimensions in parentheses are in millimeters.

Casement Window Opening and Area Specifications

Window Number	Clear Opening Area Straight-Arm Sq. Ft./ (m ²)	Clear Opening Area Split-Arm Sq. Ft./ (m ²)	Clear Opening in Full Open Position			Glass Area Sq. Ft./ (m ²)	Vent Area Straight-Arm Sq. Ft./ (m ²)	Vent Area Split-Arm Sq. Ft./ (m ²)	Top of Subfloor to Top of Inside Sill Stop Inches/ (mm)	Overall Window Area Sq. Ft./ (m ²)
			Straight-Arm Width Inches/ (mm)	Split-Arm Width Inches/ (mm)	Height Inches/ (mm)					
CR12	—	1.0 (0.09)	—	7 5/16" (186)	19 1/4" (489)	1.7 (0.16)	—	1.5 (0.14)	60 9/16" (1538)	2.8 (0.26)
CR125	—	1.2 (0.11)	—	7 5/16" (186)	23 7/16" (595)	2.0 (0.19)	—	1.8 (0.17)	56 3/8" (1432)	3.3 (0.31)
CR13	—	1.6 (0.15)	—	7 5/16" (186)	31 1/16" (789)	2.7 (0.25)	—	2.4 (0.22)	48 3/4" (1238)	4.2 (0.39)
CR135	—	1.8 (0.17)	—	7 5/16" (186)	35 15/16" (913)	3.1 (0.29)	—	2.7 (0.25)	43 7/8" (1114)	4.8 (0.45)
CR14	—	2.2 (0.20)	—	7 5/16" (186)	43 1/8" (1095)	3.8 (0.35)	—	3.3 (0.31)	36 11/16" (932)	5.7 (0.53)
CR145	—	2.4 (0.22)	—	7 5/16" (186)	47 15/16" (1218)	4.2 (0.39)	—	3.6 (0.33)	31 7/8" (810)	6.2 (0.58)
CR15	—	2.8 (0.26)	—	7 5/16" (186)	55" (1397)	4.8 (0.45)	—	4.2 (0.39)	24 13/16" (630)	7.1 (0.66)
CR155	—	3.1 (0.29)	—	7 5/16" (186)	59 15/16" (1522)	5.2 (0.48)	—	4.5 (0.42)	19 7/8" (505)	7.7 (0.72)
CR16	—	3.4 (0.32)	—	7 5/16" (186)	67" (1702)	5.9 (0.55)	—	5.1 (0.47)	12 13/16" (325)	8.5 (0.79)
CR23	—	1.6 (0.15)	—	7 5/16" (186)	31 1/16" (789)	5.4 (0.50)	—	4.7 (0.44)	48 3/4" (1238)	8.4 (0.78)
CR235	—	1.8 (0.17)	—	7 5/16" (186)	35 15/16" (913)	6.3 (0.59)	—	5.4 (0.50)	43 7/8" (1114)	9.6 (0.89)
CR24	—	2.2 (0.20)	—	7 5/16" (186)	43 1/8" (1095)	7.6 (0.71)	—	6.5 (0.60)	36 11/16" (932)	11.3 (1.05)
CR245	—	2.4 (0.22)	—	7 5/16" (186)	47 15/16" (1218)	8.4 (0.78)	—	7.3 (0.68)	31 7/8" (810)	12.4 (1.15)
CR25	—	2.8 (0.26)	—	7 5/16" (186)	55" (1397)	9.6 (0.89)	—	8.3 (0.77)	24 13/16" (630)	14.2 (1.32)
CR255	—	3.1 (0.29)	—	7 5/16" (186)	59 15/16" (1522)	10.5 (0.98)	—	9.1 (0.85)	19 7/8" (505)	15.4 (1.43)
CR26	—	3.4 (0.32)	—	7 5/16" (186)	67" (1702)	11.7 (1.09)	—	10.2 (0.95)	12 13/16" (325)	17.0 (1.58)
CN12	—	1.5 (0.14)	—	10 13/16" (275)	19 1/4" (489)	2.2 (0.20)	—	1.9 (0.18)	60 9/16" (1538)	3.4 (0.32)
CN125	—	1.8 (0.17)	—	10 13/16" (275)	23 7/16" (595)	2.6 (0.24)	—	2.3 (0.21)	56 3/8" (1432)	4.0 (0.37)
CN13	—	2.3 (0.21)	—	10 13/16" (275)	31 1/16" (789)	3.5 (0.33)	—	3.1 (0.29)	48 3/4" (1238)	5.1 (0.47)
CN135	—	2.7 (0.25)	—	10 13/16" (275)	35 15/16" (913)	4.0 (0.37)	—	3.6 (0.33)	43 7/8" (1114)	5.8 (0.54)
CN14	—	3.2 (0.30)	—	10 13/16" (275)	43 1/8" (1095)	4.8 (0.45)	—	4.3 (0.40)	36 11/16" (932)	6.8 (0.63)
CN145	—	3.6 (0.33)	—	10 13/16" (275)	47 15/16" (1218)	5.4 (0.50)	—	4.8 (0.45)	31 7/8" (810)	7.5 (0.70)
CN15	—	4.1 (0.38)	—	10 13/16" (275)	55" (1397)	6.2 (0.58)	—	5.5 (0.51)	24 13/16" (630)	8.5 (0.79)
CN155	—	4.5 (0.42)	—	10 13/16" (275)	59 15/16" (1522)	6.7 (0.62)	—	6.0 (0.56)	19 7/8" (505)	9.2 (0.86)
CN16	—	5.0 (0.47)	—	10 13/16" (275)	67" (1702)	7.5 (0.70)	—	6.7 (0.62)	12 13/16" (325)	10.2 (0.95)
CN22	—	1.5 (0.14)	—	10 13/16" (275)	19 1/4" (489)	4.4 (0.41)	—	3.8 (0.35)	60 9/16" (1538)	6.8 (0.63)
CN225	—	1.8 (0.17)	—	10 13/16" (275)	23 7/16" (595)	5.2 (0.48)	—	4.6 (0.43)	56 3/8" (1432)	8.0 (0.74)
CN23	—	2.3 (0.21)	—	10 13/16" (275)	31 1/16" (789)	7.0 (0.65)	—	6.2 (0.58)	48 3/4" (1238)	10.2 (0.95)
CN235	—	2.7 (0.25)	—	10 13/16" (275)	35 15/16" (913)	8.0 (0.74)	—	7.2 (0.67)	43 7/8" (1114)	11.5 (1.07)
CN24	—	3.2 (0.30)	—	10 13/16" (275)	43 1/8" (1095)	9.7 (0.90)	—	8.6 (0.80)	36 11/16" (932)	13.6 (1.26)
CN245	—	3.6 (0.33)	—	10 13/16" (275)	47 15/16" (1218)	10.7 (0.99)	—	9.6 (0.89)	31 7/8" (810)	15.0 (1.39)
CN25	—	4.1 (0.38)	—	10 13/16" (275)	55" (1397)	12.3 (1.14)	—	11.0 (1.02)	24 13/16" (630)	16.9 (1.57)
CN255	—	4.5 (0.42)	—	10 13/16" (275)	59 15/16" (1522)	13.4 (1.25)	—	12.0 (1.12)	19 7/8" (505)	18.4 (1.71)
CN26	—	5.0 (0.47)	—	10 13/16" (275)	67" (1702)	15.0 (1.39)	—	13.4 (1.25)	12 13/16" (325)	20.3 (1.89)
CN32	—	1.5 (0.14)	—	10 13/16" (275)	19 1/4" (489)	6.6 (0.61)	—	3.8 (0.35)	60 9/16" (1538)	10.2 (0.95)
CN325	—	1.8 (0.17)	—	10 13/16" (275)	23 7/16" (595)	7.8 (0.73)	—	4.6 (0.43)	56 3/8" (1432)	12.0 (1.12)
CN33	—	2.3 (0.21)	—	10 13/16" (275)	31 1/16" (789)	10.5 (0.98)	—	6.2 (0.58)	48 3/4" (1238)	15.3 (1.42)
CN335	—	2.7 (0.25)	—	10 13/16" (275)	35 15/16" (913)	12.0 (1.12)	—	7.2 (0.67)	43 7/8" (1114)	17.4 (1.62)
CN34	—	3.2 (0.30)	—	10 13/16" (275)	43 1/8" (1095)	14.4 (1.34)	—	8.6 (0.80)	36 11/16" (932)	20.4 (1.90)
CN345	—	3.6 (0.33)	—	10 13/16" (275)	47 15/16" (1218)	16.2 (1.51)	—	9.6 (0.89)	31 7/8" (810)	22.5 (2.09)
CN35	—	4.1 (0.38)	—	10 13/16" (275)	55" (1397)	18.6 (1.73)	—	11.0 (1.02)	24 13/16" (630)	25.5 (2.37)
CN355	—	4.5 (0.42)	—	10 13/16" (275)	59 15/16" (1522)	20.1 (1.87)	—	12.0 (1.11)	19 7/8" (505)	27.6 (2.57)
CN36	—	5.0 (0.47)	—	10 13/16" (275)	67" (1702)	22.5 (2.09)	—	13.4 (1.24)	12 13/16" (325)	30.6 (2.84)
C12	2.5 (0.23)	1.9 (0.18)	18 5/16" (465)	14 7/16" (367)	19 1/4" (489)	2.6 (0.24)	2.5 (0.23)	2.4 (0.22)	60 9/16" (1538)	4.0 (0.37)
C125	3.0 (0.28)	2.4 (0.22)	18 5/16" (465)	14 7/16" (367)	23 7/16" (595)	3.2 (0.30)	3.0 (0.28)	2.9 (0.27)	56 3/8" (1432)	4.7 (0.44)
C13	4.0 (0.37)	3.1 (0.29)	18 5/16" (465)	14 7/16" (367)	31 1/16" (789)	4.3 (0.40)	4.0 (0.37)	3.9 (0.36)	48 3/4" (1238)	6.0 (0.56)
C135	4.6 (0.43)	3.6 (0.33)	18 5/16" (465)	14 7/16" (367)	35 15/16" (913)	4.9 (0.46)	4.6 (0.43)	4.5 (0.42)	43 7/8" (1114)	6.8 (0.63)
C14	5.5 (0.51)	4.3 (0.40)	18 5/16" (465)	14 7/16" (367)	43 1/8" (1095)	5.9 (0.55)	5.5 (0.51)	5.4 (0.50)	36 11/16" (932)	8.0 (0.74)
C145	6.1 (0.57)	4.8 (0.45)	18 5/16" (465)	14 7/16" (367)	47 15/16" (1218)	6.6 (0.61)	6.1 (0.57)	6.0 (0.56)	31 7/8" (810)	8.8 (0.82)
C15	7.0 (0.65)	5.5 (0.51)	18 5/16" (465)	14 7/16" (367)	55" (1397)	7.5 (0.70)	7.0 (0.65)	6.9 (0.64)	24 13/16" (630)	10.0 (0.93)
C155	7.6 (0.71)	6.0 (0.56)	18 5/16" (465)	14 7/16" (367)	59 15/16" (1522)	8.2 (0.76)	7.6 (0.71)	7.5 (0.70)	19 7/8" (505)	10.9 (1.01)
C16	8.5 (0.79)	6.7 (0.62)	18 5/16" (465)	14 7/16" (367)	67" (1702)	9.2 (0.86)	8.5 (0.79)	8.4 (0.78)	12 13/16" (325)	12.0 (1.12)
C22	2.5 (0.23)	1.9 (0.18)	18 5/16" (465)	14 7/16" (367)	19 1/4" (489)	5.2 (0.48)	5.0 (0.46)	4.8 (0.45)	60 9/16" (1538)	8.0 (0.74)
C225	3.0 (0.28)	2.4 (0.22)	18 5/16" (465)	14 7/16" (367)	23 7/16" (595)	6.4 (0.59)	6.0 (0.56)	5.8 (0.54)	56 3/8" (1432)	9.4 (0.87)
C23	4.0 (0.37)	3.1 (0.29)	18 5/16" (465)	14 7/16" (367)	31 1/16" (789)	8.5 (0.79)	7.9 (0.73)	7.8 (0.73)	48 3/4" (1238)	12.0 (1.12)
C235	4.6 (0.43)	3.6 (0.33)	18 5/16" (465)	14 7/16" (367)	35 15/16" (913)	9.9 (0.92)	9.2 (0.86)	9.0 (0.84)	43 7/8" (1114)	13.6 (1.26)
C24	5.5 (0.51)	4.3 (0.40)	18 5/16" (465)	14 7/16" (367)	43 1/8" (1095)	11.8 (1.10)	11.0 (1.02)	10.8 (1.00)	36 11/16" (932)	16.0 (1.49)
C245	6.1 (0.57)	4.8 (0.45)	18 5/16" (465)	14 7/16" (367)	47 15/16" (1218)	13.1 (1.22)	12.2 (1.13)	12.0 (1.12)	31 7/8" (810)	17.6 (1.64)
C25	7.0 (0.65)	5.5 (0.51)	18 5/16" (465)	14 7/16" (367)	55" (1397)	15.1 (1.40)	14.0 (1.30)	13.8 (1.28)	24 13/16" (630)	20.0 (1.86)

* Top of Subfloor to Top of Inside Sill Stop" is calculated based upon a structural header height of 6'-10 1/2" (2096).
• Dimensions in parentheses are in millimeters or square meters.

continued on next page

CASEMENT & AWNING WINDOWS

Casement Window Opening and Area Specifications (continued)

Window Number	Clear Opening Area Straight-Arm		Clear Opening Area Split-Arm		Clear Opening in Full Open Position			Glass Area Sq. Ft./ (m ²)	Vent Area Straight-Arm Sq. Ft./ (m ²)	Vent Area Split-Arm Sq. Ft./ (m ²)	Top of Subfloor to Top of Inside Sill Stop Inches/ (mm)	Overall Window Area Sq. Ft./ (m ²)
	Sq. Ft./ (m ²)	Sq. Ft./ (m ²)	Sq. Ft./ (m ²)	Sq. Ft./ (m ²)	Straight-Arm Width Inches/ (mm)	Split-Arm Width Inches/ (mm)	Height Inches/ (mm)					
C255	7.6 (0.71)	6.0 (0.56)	18 5/16" (465)	14 7/16" (367)	59 15/16" (1522)	16.4 (1.52)	15.3 (1.42)	15.0 (1.39)	19 7/8" (505)	21.6 (2.01)		
C26	8.5 (0.79)	6.7 (0.62)	18 5/16" (465)	14 7/16" (367)	67" (1702)	18.4 (1.71)	17.1 (1.59)	16.8 (1.56)	12 13/16" (325)	24.0 (2.23)		
C32	2.5 (0.23)	1.9 (0.18)	18 5/16" (465)	14 7/16" (367)	19 1/4" (489)	7.8 (0.73)	5.0 (0.46)	4.8 (0.45)	60 3/16" (1538)	12.0 (1.12)		
C325	3.0 (0.28)	2.4 (0.22)	18 5/16" (465)	14 7/16" (367)	23 7/16" (595)	9.6 (0.89)	6.0 (0.56)	5.8 (0.54)	56 3/8" (1432)	14.1 (1.31)		
C33	4.0 (0.37)	3.1 (0.29)	18 5/16" (465)	14 7/16" (367)	31 1/16" (789)	12.8 (1.19)	7.9 (0.73)	7.8 (0.73)	48 3/4" (1238)	17.9 (1.66)		
C335	4.6 (0.43)	3.6 (0.33)	18 5/16" (465)	14 7/16" (367)	35 15/16" (913)	14.8 (1.38)	9.2 (0.86)	9.0 (0.84)	43 7/8" (1114)	20.4 (1.90)		
C34	5.5 (0.51)	4.3 (0.40)	18 5/16" (465)	14 7/16" (367)	43 1/8" (1095)	17.7 (1.64)	11.0 (1.02)	10.8 (1.00)	36 11/16" (932)	24.0 (2.23)		
C345	6.1 (0.57)	4.8 (0.45)	18 5/16" (465)	14 7/16" (367)	47 15/16" (1218)	19.7 (1.83)	12.2 (1.13)	12.0 (1.12)	31 1/8" (810)	26.4 (2.45)		
C35	7.0 (0.65)	5.5 (0.51)	18 5/16" (465)	14 7/16" (367)	55" (1397)	22.6 (2.10)	14.0 (1.30)	13.8 (1.28)	24 13/16" (630)	29.9 (2.78)		
CW12	3.0 (0.28)	2.5 (0.23)	22 9/16" (573)	18 11/16" (475)	19 1/4" (489)	3.2 (0.30)	3.0 (0.28)	3.0 (0.28)	60 9/16" (1538)	4.8 (0.45)		
CW125	3.7 (0.34)	3.0 (0.28)	22 9/16" (573)	18 11/16" (475)	23 7/16" (595)	3.9 (0.36)	3.7 (0.34)	3.6 (0.33)	56 3/8" (1432)	5.6 (0.52)		
CW13	4.9 (0.46)	4.0 (0.37)	22 9/16" (573)	18 11/16" (475)	31 1/16" (789)	5.2 (0.48)	4.9 (0.46)	4.8 (0.45)	48 3/4" (1238)	7.1 (0.66)		
CW135 ◊	5.7 (0.53)	5.1 (0.47)	22 9/16" (573)	20" (508)	36 3/8" (924)	6.0 (0.56)	5.7 (0.53)	5.5 (0.51)	43 7/8" (1114)	8.0 (0.74)		
CW14 ◊	6.8 (0.63)	6.0 (0.56)	22 9/16" (573)	20" (508)	43 1/8" (1095)	7.2 (0.67)	6.8 (0.63)	6.6 (0.61)	36 11/16" (932)	9.5 (0.88)		
CW145 ◊	7.5 (0.70)	6.7 (0.62)	22 9/16" (573)	20" (508)	47 15/16" (1218)	8.0 (0.74)	7.5 (0.70)	7.3 (0.68)	31 1/8" (810)	10.4 (0.97)		
CW15 ◊	8.6 (0.80)	7.6 (0.71)	22 9/16" (573)	20" (508)	55" (1397)	9.2 (0.86)	8.6 (0.80)	8.4 (0.78)	24 13/16" (630)	11.8 (1.10)		
CW155 ◊	9.4 (0.87)	8.3 (0.77)	22 9/16" (573)	20" (508)	59 15/16" (1522)	10.0 (0.93)	9.4 (0.87)	9.1 (0.85)	19 7/8" (505)	12.8 (1.19)		
CW16 ◊	10.5 (0.98)	9.3 (0.86)	22 9/16" (573)	20" (508)	67" (1702)	11.2 (1.04)	10.5 (0.98)	10.2 (0.95)	12 13/16" (325)	14.2 (1.32)		
CW22	3.0 (0.28)	2.5 (0.23)	22 9/16" (573)	18 11/16" (475)	19 1/4" (489)	6.4 (0.59)	6.0 (0.56)	6.0 (0.56)	60 9/16" (1538)	9.6 (0.89)		
CW225	3.7 (0.34)	3.0 (0.28)	22 9/16" (573)	18 11/16" (475)	23 7/16" (595)	7.8 (0.72)	7.4 (0.69)	7.2 (0.67)	56 3/8" (1432)	11.2 (1.04)		
CW23	4.9 (0.46)	4.0 (0.37)	22 9/16" (573)	18 11/16" (475)	31 1/16" (789)	10.4 (0.97)	9.8 (0.91)	9.6 (0.89)	48 3/4" (1238)	14.1 (1.31)		
CW235 ◊	5.7 (0.53)	5.1 (0.47)	22 9/16" (573)	20" (508)	36 3/8" (924)	12.0 (1.12)	11.4 (1.06)	11.1 (1.03)	43 7/8" (1114)	16.0 (1.49)		
CW24 ◊	6.8 (0.63)	6.0 (0.56)	22 9/16" (573)	20" (508)	43 1/8" (1095)	14.4 (1.34)	13.5 (1.25)	13.1 (1.22)	36 11/16" (932)	18.8 (1.75)		
CW245 ◊	7.5 (0.70)	6.7 (0.62)	22 9/16" (573)	20" (508)	47 15/16" (1218)	16.0 (1.49)	15.0 (1.39)	14.6 (1.36)	31 1/8" (810)	20.8 (1.93)		
CW25 ◊	8.6 (0.80)	7.6 (0.71)	22 9/16" (573)	20" (508)	55" (1397)	18.3 (1.70)	17.3 (1.61)	16.7 (1.55)	24 13/16" (630)	23.5 (2.18)		
CW255 ◊	9.4 (0.87)	8.3 (0.77)	22 9/16" (573)	20" (508)	59 15/16" (1522)	20.0 (1.86)	18.8 (1.75)	18.2 (1.69)	19 7/8" (505)	25.6 (2.38)		
CW26 ◊	10.5 (0.98)	9.3 (0.86)	22 9/16" (573)	20" (508)	67" (1702)	22.3 (2.07)	21.0 (1.95)	20.4 (1.90)	12 13/16" (325)	28.2 (2.62)		
CW32	3.0 (0.28)	2.5 (0.23)	22 9/16" (573)	18 11/16" (475)	19 1/4" (489)	9.6 (0.89)	6.0 (0.56)	6.0 (0.56)	60 9/16" (1538)	14.4 (1.34)		
CW325	3.7 (0.34)	3.0 (0.28)	22 9/16" (573)	18 11/16" (475)	23 7/16" (595)	11.7 (1.09)	7.4 (0.69)	7.2 (0.67)	56 3/8" (1432)	16.8 (1.56)		
CW33	4.9 (0.46)	4.0 (0.37)	22 9/16" (567)	18 11/16" (475)	31 1/16" (789)	15.6 (1.45)	9.8 (0.91)	9.6 (0.89)	48 3/4" (1238)	21.1 (1.96)		
CW335 ◊	5.7 (0.53)	5.1 (0.47)	22 9/16" (567)	20" (508)	36 3/8" (924)	18.0 (1.67)	11.4 (1.06)	11.1 (1.03)	43 7/8" (1114)	24.0 (2.23)		
CW34 ◊	6.8 (0.63)	6.0 (0.56)	22 9/16" (567)	20" (508)	43 1/8" (1095)	21.6 (2.01)	13.6 (1.26)	13.1 (1.22)	36 11/16" (932)	28.2 (2.62)		
CW345 ◊	7.5 (0.70)	6.7 (0.62)	22 9/16" (567)	20" (508)	47 15/16" (1218)	24.0 (2.23)	15.0 (1.39)	14.6 (1.36)	31 1/8" (810)	31.0 (2.88)		
CW35 ◊	8.6 (0.80)	7.6 (0.71)	22 9/16" (567)	20" (508)	55" (1397)	27.6 (2.56)	17.2 (1.60)	16.7 (1.55)	24 13/16" (630)	35.2 (3.27)		
CX125	4.2 (0.39)	3.5 (0.33)	25 11/16" (653)	21 13/16" (554)	23 7/16" (595)	4.4 (0.41)	4.2 (0.39)	4.1 (0.38)	56 3/8" (1432)	6.2 (0.58)		
CX13	5.5 (0.52)	4.7 (0.44)	25 11/16" (653)	21 13/16" (554)	31 1/16" (789)	5.9 (0.54)	5.5 (0.52)	5.4 (0.51)	48 3/4" (1238)	7.9 (0.73)		
CX135 ◊	6.4 (0.60)	5.4 (0.51)	25 11/16" (653)	21 13/16" (554)	35 15/16" (913)	6.8 (0.63)	6.4 (0.60)	6.3 (0.59)	43 7/8" (1114)	8.9 (0.83)		
CX14 ◊	7.7 (0.72)	6.5 (0.61)	25 11/16" (653)	21 13/16" (554)	43 1/8" (1095)	8.1 (0.76)	7.7 (0.72)	7.6 (0.70)	36 11/16" (932)	10.5 (0.98)		
CX145 ◊	8.6 (0.80)	7.3 (0.67)	25 11/16" (653)	21 13/16" (554)	47 15/16" (1218)	9.0 (0.84)	8.6 (0.80)	8.4 (0.78)	31 1/8" (810)	11.6 (1.07)		
CX15 ◊	9.8 (0.91)	8.3 (0.77)	25 11/16" (653)	21 13/16" (554)	55" (1397)	10.4 (0.96)	9.8 (0.91)	9.7 (0.90)	24 13/16" (630)	13.1 (1.22)		
CX155 ◊	10.7 (0.99)	9.1 (0.84)	25 11/16" (653)	21 13/16" (554)	59 15/16" (1522)	11.3 (1.05)	10.7 (0.99)	10.5 (0.98)	19 7/8" (505)	14.2 (1.32)		
CX16 ◊	12.0 (1.11)	10.1 (0.94)	25 11/16" (653)	21 13/16" (554)	67" (1702)	12.6 (1.17)	12.0 (1.11)	11.8 (1.09)	12 13/16" (325)	15.7 (1.46)		
CX23	5.5 (0.52)	4.7 (0.44)	25 11/16" (653)	21 13/16" (554)	31 1/16" (789)	11.7 (1.09)	11.1 (1.03)	10.9 (1.01)	48 3/4" (1238)	15.7 (1.46)		
CX235 ◊	6.4 (0.60)	5.4 (0.51)	25 11/16" (653)	21 13/16" (554)	35 15/16" (913)	13.6 (1.26)	12.8 (1.19)	12.6 (1.17)	43 7/8" (1114)	17.8 (1.65)		
CX24 ◊	7.7 (0.72)	6.5 (0.61)	25 11/16" (653)	21 13/16" (554)	43 1/8" (1095)	16.3 (1.51)	15.4 (1.43)	15.1 (1.41)	36 11/16" (932)	20.9 (1.94)		
CX245 ◊	8.6 (0.80)	7.3 (0.67)	25 11/16" (653)	21 13/16" (554)	47 15/16" (1218)	18.1 (1.68)	17.1 (1.59)	16.8 (1.56)	31 7/8" (810)	23.0 (2.14)		
CX25 ◊	9.8 (0.91)	8.3 (0.77)	25 11/16" (653)	21 13/16" (554)	55" (1397)	20.7 (1.93)	19.6 (1.82)	19.3 (1.79)	24 13/16" (630)	26.1 (2.42)		
CXW13 ◊	6.5 (0.60)	5.6 (0.53)	30 1/8" (765)	26 1/4" (667)	31 1/16" (789)	6.8 (0.63)	6.5 (0.60)	6.1 (0.57)	48 3/4" (1238)	9.0 (0.84)		
CXW135 ◊	7.5 (0.70)	6.6 (0.61)	30 1/8" (765)	26 1/4" (667)	35 15/16" (913)	7.9 (0.73)	7.5 (0.70)	7.0 (0.65)	43 7/8" (1114)	10.2 (0.95)		
CXW14 ◊	9.0 (0.84)	7.9 (0.73)	30 1/8" (765)	26 1/4" (667)	43 1/8" (1095)	9.5 (0.88)	9.0 (0.84)	8.4 (0.78)	36 11/16" (932)	12.0 (1.12)		
CXW145 ◊	10.0 (0.93)	8.8 (0.82)	30 1/8" (765)	26 1/4" (667)	47 15/16" (1218)	10.5 (0.98)	10.0 (0.93)	9.4 (0.87)	31 7/8" (810)	13.2 (1.23)		
CXW15 ◊	11.5 (1.07)	—	30 1/8" (765)	—	55" (1397)	12.1 (1.12)	11.5 (1.07)	—	24 13/16" (630)	14.9 (1.38)		
CXW155 ◊	12.6 (1.17)	—	30 1/8" (765)	—	59 15/16" (1522)	13.1 (1.22)	12.6 (1.17)	—	19 7/8" (505)	16.2 (1.51)		
CXW16 ◊	14.0 (1.30)	—	30 1/8" (765)	—	67" (1702)	14.7 (1.37)	14.0 (1.30)	—	12 13/16" (325)	17.9 (1.66)		
CXW23	6.5 (0.60)	5.6 (0.53)	30 1/8" (765)	26 1/4" (667)	31 1/16" (789)	13.6 (1.26)	13.0 (1.21)	12.2 (0.57)	48 3/4" (1238)	17.9 (1.66)		
CXW235 ◊	7.5 (0.70)	6.5 (0.61)	30 1/8" (765)	26 1/4" (667)	35 5/16" (913)	15.8 (1.47)	15.0 (1.39)	14.0 (0.57)	43 7/8" (1114)	20.3 (1.89)		
CXW24 ◊	9.0 (0.84)	7.9 (0.73)	30 1/8" (765)	26 1/4" (667)	43 1/8" (1095)	19.0 (1.77)	18.0 (1.67)	16.8 (0.57)	36 11/16" (932)	23.9 (2.22)		
CXW245 ◊	10.0 (0.93)	8.7 (0.81)	30 1/8" (765)	26 1/4" (667)	47 15/16" (1218)	21.0 (1.95)	20.0 (1.86)	18.8 (0.57)	31 7/8" (810)	26.3 (2.44)		
CXW25 ◊	11.5 (1.07)	—	30 1/8" (765)	—	55" (1397)	24.2 (2.25)	23.0 (2.14)	—	24 13/16" (630)	29.8 (2.77)		

• *Top of Subfloor to Top of Inside Sill Stop* is calculated based upon a structural header height of 6'-10 1/2" (2096).

• Dimensions in parentheses are in millimeters or square meters.

◊ Meet or exceed clear opening area of 5.7 sq. ft. or 0.53 m², clear opening width of 20" (508) and clear opening height of 24" (610) with appropriate hardware, straight- or split-arm operator, specified.

Awning Window Opening and Area Specifications

Window Number	Clear Opening Area Sq. Ft./ (m ²)	Clear Opening in Full Open Position		Glass Area Sq. Ft./ (m ²)	Vent Area Sq. Ft./ (m ²)	Top of Subfloor to Top of Inside Sill Stop Inches/(mm)	Overall Window Area Sq. Ft./ (m ²)
		Width Inches/(mm)	Depth Inches/(mm)				
AR21	0.9 (0.08)	19 1/2" (495)	6 3/8" (162)	1.7 (0.16)	0.9 (0.08)	67 7/16" (1713)	2.8 (0.26)
AR251	1.1 (0.10)	23 3/4" (603)	6 3/8" (162)	2.0 (0.19)	1.1 (0.10)	67 7/16" (1713)	3.3 (0.31)
AR281	1.2 (0.11)	26 7/8" (683)	6 3/8" (162)	2.3 (0.21)	1.2 (0.11)	67 7/16" (1713)	3.7 (0.34)
AR31	1.4 (0.13)	31 5/16" (795)	6 3/8" (162)	2.7 (0.25)	1.4 (0.13)	67 7/16" (1713)	4.2 (0.39)
AR351	1.6 (0.15)	36 3/16" (919)	6 3/8" (162)	3.1 (0.29)	1.6 (0.15)	67 7/16" (1713)	4.8 (0.45)
AR41	1.9 (0.18)	43 3/8" (1102)	6 3/8" (162)	3.8 (0.35)	1.9 (0.18)	67 7/16" (1713)	5.7 (0.53)
AR451	2.1 (0.20)	48 3/16" (1224)	6 3/8" (162)	4.2 (0.39)	2.1 (0.20)	67 7/16" (1713)	6.2 (0.58)
AR51	2.5 (0.23)	55 1/2" (1410)	6 3/8" (162)	4.8 (0.45)	2.5 (0.23)	67 7/16" (1713)	7.1 (0.66)
AR551	2.7 (0.25)	60 3/16" (1529)	6 3/8" (162)	5.2 (0.48)	2.7 (0.25)	67 7/16" (1713)	7.7 (0.72)
AR61	3.0 (0.28)	67 1/2" (1715)	6 3/8" (162)	5.9 (0.55)	3.0 (0.28)	67 7/16" (1713)	8.5 (0.79)
AR221	0.9 (0.08)	19 1/2" (495)	6 3/8" (162)	3.4 (0.32)	1.7 (0.16)	67 7/16" (1713)	5.6 (0.52)
AR2251	1.1 (0.10)	23 3/4" (603)	6 3/8" (162)	4.0 (0.37)	2.1 (0.20)	67 7/16" (1713)	6.6 (0.61)
AR2281	1.2 (0.11)	26 7/8" (683)	6 3/8" (162)	4.6 (0.43)	2.4 (0.22)	67 7/16" (1713)	7.4 (0.69)
AR231	1.4 (0.13)	31 5/16" (795)	6 3/8" (162)	5.4 (0.50)	2.8 (0.26)	67 7/16" (1713)	8.4 (0.78)
AR321	0.9 (0.08)	19 1/2" (495)	6 3/8" (162)	5.1 (0.47)	2.6 (0.24)	67 7/16" (1713)	8.4 (0.78)
AR3251	1.1 (0.10)	23 3/4" (603)	6 3/8" (162)	6.0 (0.56)	3.2 (0.29)	67 7/16" (1713)	9.9 (0.92)
AN21	0.9 (0.08)	19 1/2" (495)	6 7/16" (164)	2.2 (0.20)	0.9 (0.08)	63 15/16" (1624)	3.4 (0.32)
AN251	1.1 (0.10)	23 3/4" (603)	6 7/16" (164)	2.6 (0.24)	1.1 (0.10)	63 15/16" (1624)	4.0 (0.37)
AN281	1.2 (0.11)	26 7/8" (683)	6 7/16" (164)	3.0 (0.28)	1.2 (0.11)	63 15/16" (1624)	4.5 (0.42)
AN31	1.4 (0.13)	31 5/16" (795)	6 7/16" (164)	3.5 (0.33)	1.4 (0.13)	63 15/16" (1624)	5.1 (0.47)
AN351	1.6 (0.15)	36 3/16" (919)	6 7/16" (164)	4.0 (0.37)	1.6 (0.15)	63 15/16" (1624)	5.8 (0.54)
AN41	1.9 (0.18)	43 3/8" (1102)	6 7/16" (164)	4.8 (0.45)	1.9 (0.18)	63 15/16" (1624)	6.8 (0.63)
AN451	2.2 (0.20)	48 3/16" (1224)	6 7/16" (164)	5.4 (0.50)	2.2 (0.20)	63 15/16" (1624)	7.5 (0.70)
AN51	2.5 (0.23)	55 1/2" (1410)	6 7/16" (164)	6.2 (0.58)	2.5 (0.23)	63 15/16" (1624)	8.5 (0.79)
AN551	2.7 (0.25)	60 3/16" (1529)	6 7/16" (164)	6.7 (0.62)	2.7 (0.25)	63 15/16" (1624)	9.2 (0.86)
AN61	3.0 (0.28)	67 1/2" (1715)	6 7/16" (164)	7.5 (0.70)	3.0 (0.28)	63 15/16" (1624)	10.2 (0.95)
AN221	0.9 (0.08)	19 1/2" (495)	6 7/16" (164)	4.4 (0.41)	1.7 (0.16)	63 15/16" (1624)	6.8 (0.63)
AN2251	1.1 (0.10)	23 3/4" (603)	6 7/16" (164)	5.2 (0.48)	2.1 (0.20)	63 15/16" (1624)	8.0 (0.74)
AN2281	1.2 (0.11)	26 7/8" (683)	6 7/16" (164)	6.0 (0.56)	2.4 (0.22)	63 15/16" (1624)	9.0 (0.84)
AN231	1.4 (0.13)	31 5/16" (795)	6 7/16" (164)	7.0 (0.65)	2.8 (0.26)	63 15/16" (1624)	10.2 (0.95)
AN321	0.9 (0.08)	19 1/2" (495)	6 7/16" (164)	6.6 (0.61)	2.6 (0.24)	63 15/16" (1624)	10.2 (0.95)
AN3251	1.1 (0.10)	23 3/4" (603)	6 7/16" (164)	7.8 (0.73)	3.2 (0.30)	63 15/16" (1624)	12.0 (1.12)
A21	0.9 (0.08)	19 1/2" (495)	6 1/2" (165)	2.6 (0.24)	0.9 (0.08)	60 5/16" (1532)	4.0 (0.37)
A251	1.1 (0.10)	23 3/4" (603)	6 1/2" (165)	3.2 (0.30)	1.1 (0.10)	60 5/16" (1532)	4.8 (0.45)
A281	1.2 (0.11)	26 7/8" (683)	6 1/2" (165)	3.7 (0.34)	1.2 (0.11)	60 5/16" (1532)	5.3 (0.49)
A31	1.4 (0.13)	31 5/16" (795)	6 1/2" (165)	4.3 (0.40)	1.4 (0.13)	60 5/16" (1532)	6.0 (0.56)
A351	1.6 (0.15)	36 3/16" (919)	6 1/2" (165)	4.9 (0.46)	1.6 (0.15)	60 5/16" (1532)	6.8 (0.63)
A41	2.0 (0.18)	43 3/8" (1102)	6 1/2" (165)	5.9 (0.55)	2.0 (0.18)	60 5/16" (1532)	8.0 (0.74)
A451	2.2 (0.20)	48 3/16" (1224)	6 1/2" (165)	6.6 (0.61)	2.2 (0.20)	60 5/16" (1532)	8.8 (0.82)
A51	2.5 (0.23)	55 1/2" (1410)	6 1/2" (165)	7.5 (0.70)	2.5 (0.23)	60 5/16" (1532)	10.0 (0.93)
A551	2.7 (0.25)	60 3/16" (1529)	6 1/2" (165)	8.2 (0.76)	2.7 (0.25)	60 5/16" (1532)	10.9 (1.01)
A61	3.0 (0.28)	67 1/2" (1715)	6 1/2" (165)	9.2 (0.86)	3.0 (0.28)	60 5/16" (1532)	12.0 (1.12)
A221	0.9 (0.08)	19 1/2" (495)	6 1/2" (165)	5.2 (0.48)	1.8 (0.16)	60 5/16" (1532)	8.0 (0.74)
A2251	1.1 (0.10)	23 3/4" (603)	6 1/2" (165)	6.4 (0.60)	2.1 (0.20)	60 5/16" (1532)	9.6 (0.89)
A2281	1.2 (0.11)	26 7/8" (683)	6 1/2" (165)	7.4 (0.69)	2.4 (0.23)	60 5/16" (1532)	10.6 (0.99)
A231	1.4 (0.13)	31 5/16" (795)	6 1/2" (165)	8.6 (0.80)	2.8 (0.26)	60 5/16" (1532)	12.0 (1.12)
A321	0.9 (0.08)	19 1/2" (495)	6 1/2" (165)	7.8 (0.73)	2.6 (0.25)	60 5/16" (1532)	12.0 (1.12)
A3251	1.1 (0.10)	23 3/4" (603)	6 1/2" (165)	9.6 (0.89)	3.2 (0.30)	60 5/16" (1532)	14.4 (1.34)
AW21	0.9 (0.08)	19 1/2" (495)	6 1/2" (165)	3.2 (0.30)	0.9 (0.08)	56 1/16" (1424)	4.8 (0.45)
AW251	1.1 (0.10)	23 3/4" (603)	6 1/2" (165)	3.9 (0.36)	1.1 (0.10)	56 1/16" (1424)	5.6 (0.52)
AW281	1.2 (0.11)	26 7/8" (683)	6 1/2" (165)	4.4 (0.41)	1.2 (0.11)	56 1/16" (1424)	6.2 (0.58)
AW31	1.4 (0.13)	31 5/16" (795)	6 1/2" (165)	5.2 (0.48)	1.4 (0.13)	56 1/16" (1424)	7.1 (0.66)
AW351	1.6 (0.15)	36 3/16" (919)	6 1/2" (165)	6.0 (0.56)	1.6 (0.15)	56 1/16" (1424)	8.0 (0.74)
AW41	2.0 (0.18)	43 3/8" (1102)	6 1/2" (165)	7.2 (0.67)	2.0 (0.18)	56 1/16" (1424)	9.5 (0.88)
AW451	2.2 (0.20)	48 3/16" (1224)	6 1/2" (165)	8.0 (0.74)	2.2 (0.20)	56 1/16" (1424)	10.4 (0.97)
AW51	2.5 (0.23)	55 1/2" (1410)	6 1/2" (165)	9.2 (0.86)	2.5 (0.23)	56 1/16" (1424)	11.8 (1.10)
AW551	2.7 (0.25)	60 3/16" (1529)	6 1/2" (165)	10.0 (0.93)	2.7 (0.25)	56 1/16" (1424)	12.8 (1.19)
AW61	3.0 (0.28)	67 1/2" (1715)	6 1/2" (165)	11.2 (1.04)	3.0 (0.28)	56 1/16" (1424)	14.2 (1.32)
AW221	0.9 (0.08)	19 1/2" (495)	6 1/2" (165)	6.4 (0.60)	1.8 (0.16)	56 1/16" (1424)	9.6 (0.89)
AW2251	1.1 (0.10)	23 3/4" (603)	6 1/2" (165)	7.8 (0.73)	2.1 (0.20)	56 1/16" (1424)	11.2 (1.04)

• Top of Subfloor to Top of Inside Sill Stop" is calculated based upon a structural header height of 6'-10 1/2" (2096).
• Dimensions in parentheses are in millimeters or square meters.

continued on next page

Picture Window Area Specifications

Window Number	Glass Area Sq. Ft./ (m ²)	Overall Window Area Sq. Ft./ (m ²)
P3030	6.8 (0.63)	9.0 (0.84)
P3035	7.8 (0.73)	10.2 (0.95)
P3040	9.4 (0.87)	12.0 (1.12)
P3045	10.4 (0.97)	13.2 (1.23)
P3050	12.0 (1.12)	14.9 (1.38)
P3055	13.0 (1.21)	16.2 (1.51)
P3060	14.6 (1.36)	17.9 (1.66)
P3530	7.8 (0.73)	10.2 (0.95)
P3535	9.0 (0.84)	11.6 (1.08)
P3540	10.8 (1.00)	13.6 (1.26)
P3545	12.1 (1.12)	15.0 (1.39)
P3550	13.8 (1.28)	17.0 (1.58)
P3555	15.1 (1.40)	18.4 (1.71)
P3560	16.8 (1.56)	20.4 (1.90)
P4030	9.4 (0.87)	12.0 (1.12)
P4035	10.8 (1.00)	13.6 (1.26)
P4040	13.0 (1.21)	16.0 (1.49)
P4045	14.5 (1.35)	17.6 (1.64)
P4050	16.6 (1.54)	20.0 (1.86)
P4055	18.1 (1.68)	21.6 (2.01)
P4060	20.2 (1.88)	24.0 (2.23)
P4530	10.4 (0.97)	13.2 (1.23)
P4535	12.1 (1.12)	15.0 (1.39)
P4540	14.5 (1.35)	17.6 (1.64)
P4545	16.1 (1.50)	19.4 (1.80)
P4550	18.4 (1.71)	22.0 (2.04)
P4555	20.1 (1.87)	23.8 (2.21)
P4560	22.4 (2.08)	26.4 (2.45)
P5030	12.0 (1.12)	14.9 (1.38)
P5035	13.8 (1.28)	17.0 (1.58)
P5040	16.6 (1.54)	20.0 (1.86)
P5045	18.4 (1.71)	22.0 (2.04)
P5050	21.1 (1.96)	24.9 (2.31)
P5055	23.0 (2.14)	26.9 (2.50)
P5060	25.7 (2.39)	29.9 (2.78)
P5530	13.0 (1.21)	16.2 (1.51)
P5535	15.1 (1.40)	18.4 (1.71)
P5540	18.1 (1.68)	21.6 (2.01)
P5545	20.1 (1.87)	23.8 (2.21)
P5550	23.0 (2.14)	26.9 (2.50)
P6030	14.6 (1.36)	17.9 (1.66)
P6035	16.8 (1.56)	20.4 (1.90)
P6040	20.2 (1.88)	24.0 (2.23)
P6045	22.4 (2.08)	26.4 (2.45)
P6050	25.7 (2.39)	29.9 (2.78)

• Dimensions in parentheses are in square meters.

CASEMENT & AWNING WINDOWS

Awning Window Opening and Area Specifications *(continued)*

Window Number	Clear Opening Area Sq. Ft./ (m ²)	Clear Opening in Full Open Position		Glass Area Sq. Ft./ (m ²)	Vent Area Sq. Ft./ (m ²)	Top of Subfloor to Top of Inside Sill Stop Inches/(mm)	Overall Window Area Sq. Ft./ (m ²)
		Width Inches/(mm)	Depth Inches/(mm)				
AW2281	1.2 (0.11)	26 7/8" (683)	6 1/2" (165)	8.8 (0.82)	2.4 (0.23)	56 1/16" (1424)	12.4 (1.15)
AW231	1.4 (0.13)	31 5/16" (795)	6 1/2" (165)	10.4 (0.97)	2.8 (0.26)	56 1/16" (1424)	14.2 (1.32)
AW321	0.9 (0.08)	19 1/2" (495)	6 1/2" (165)	9.6 (0.89)	2.6 (0.25)	56 1/16" (1424)	14.4 (1.34)
AW3251	1.1 (0.10)	23 3/4" (603)	6 1/2" (165)	11.7 (1.09)	3.2 (0.30)	56 1/16" (1424)	16.8 (1.56)
AX251	1.1 (0.10)	23 3/4" (603)	6 1/2" (165)	4.4 (0.41)	1.1 (0.10)	53 15/16" (1370)	6.2 (0.58)
AX281	1.2 (0.11)	26 7/8" (683)	6 1/2" (165)	5.0 (0.47)	1.2 (0.11)	53 15/16" (1370)	6.9 (0.64)
AX31	1.4 (0.13)	31 5/16" (795)	6 1/2" (165)	5.9 (0.54)	1.4 (0.13)	53 15/16" (1370)	7.9 (0.73)
AX351	1.6 (0.15)	36 3/16" (919)	6 1/2" (165)	6.8 (0.63)	1.6 (0.15)	53 15/16" (1370)	8.9 (0.83)
AX41	2.0 (0.18)	43 3/8" (1102)	6 1/2" (165)	8.1 (0.76)	2.0 (0.18)	53 15/16" (1370)	10.5 (0.98)
AX451	2.2 (0.20)	48 3/16" (1224)	6 1/2" (165)	9.0 (0.84)	2.2 (0.20)	53 15/16" (1370)	11.6 (1.07)
AX51	2.5 (0.23)	55 1/2" (1410)	6 1/2" (165)	10.4 (0.96)	2.5 (0.23)	53 15/16" (1370)	13.1 (1.22)
AX551	2.7 (0.25)	60 3/16" (1529)	6 1/2" (165)	11.3 (1.05)	2.7 (0.25)	53 15/16" (1370)	14.2 (1.32)
AX61	3.0 (0.28)	67 1/2" (1715)	6 1/2" (165)	12.6 (1.17)	3.0 (0.28)	53 15/16" (1370)	15.7 (1.46)
AX2251	1.1 (0.10)	23 3/4" (603)	6 1/2" (165)	8.9 (0.82)	2.1 (0.20)	53 15/16" (1370)	12.4 (1.15)
AX2281	1.2 (0.11)	26 7/8" (683)	6 1/2" (165)	10.0 (0.93)	2.4 (0.23)	53 15/16" (1370)	13.8 (1.28)
AX231	1.4 (0.13)	31 5/16" (795)	6 1/2" (165)	11.7 (1.09)	2.8 (0.26)	53 15/16" (1370)	15.7 (1.46)
AX3251	1.1 (0.10)	23 3/4" (603)	6 1/2" (165)	13.3 (1.24)	3.2 (0.30)	53 15/16" (1370)	18.6 (1.73)
AXW281	1.2 (0.11)	26 7/8" (683)	6 1/2" (165)	5.8 (0.54)	1.2 (0.11)	48 1/2" (1232)	7.9 (0.73)
AXW31	1.4 (0.13)	31 5/16" (795)	6 1/2" (165)	6.8 (0.63)	1.4 (0.13)	48 1/2" (1232)	9.0 (0.84)
AXW351	1.6 (0.15)	36 3/16" (919)	6 1/2" (165)	7.9 (0.73)	1.6 (0.15)	48 1/2" (1232)	10.2 (0.95)
AXW41	2.0 (0.18)	43 3/8" (1102)	6 1/2" (165)	9.5 (0.88)	2.0 (0.18)	48 1/2" (1232)	12.0 (1.12)
AXW451	2.2 (0.20)	48 3/16" (1224)	6 1/2" (165)	10.5 (0.98)	2.2 (0.20)	48 1/2" (1232)	13.2 (1.23)
AXW51	2.5 (0.23)	55 1/2" (1410)	6 1/2" (165)	12.1 (1.12)	2.5 (0.23)	48 1/2" (1232)	14.9 (1.38)
AXW551	2.7 (0.25)	60 3/16" (1529)	6 1/2" (165)	13.1 (1.22)	2.7 (0.25)	48 1/2" (1232)	16.2 (1.51)
AXW61	3.0 (0.28)	67 1/2" (1715)	6 1/2" (165)	14.7 (1.37)	3.0 (0.28)	48 1/2" (1232)	17.9 (1.66)
AXW2281	1.2 (0.11)	26 7/8" (683)	6 1/2" (165)	11.6 (1.08)	2.4 (0.23)	48 1/2" (1232)	15.8 (1.47)
AXW231	1.4 (0.13)	31 3/8" (795)	6 1/2" (165)	13.6 (1.26)	2.8 (0.26)	48 1/2" (1232)	18.0 (1.67)
A335*	1.4 (0.13)	31 5/16" (795)	6 1/2" (676)	7.0 (0.65)	1.3 (0.12)	43 11/16" (1110)	10.2 (0.95)
A3535	1.6 (0.14)	36 3/16" (943)	6 1/2" (165)	8.1 (0.75)	1.6 (0.15)	43 11/16" (1110)	11.5 (1.07)
AP32V	1.4 (0.12)	31 5/16" (795)	6 1/2" (165)	9.4 (0.87)	1.4 (0.13)	36 7/16" (926)	12.0 (1.12)
AP352V	1.6 (0.14)	36 3/16" (919)	6 1/2" (165)	10.9 (1.01)	1.6 (0.15)	36 7/16" (926)	13.6 (1.26)
AP42V	2.0 (0.17)	43 3/8" (1102)	6 1/2" (165)	13.1 (1.22)	2.0 (0.18)	36 7/16" (926)	16.0 (1.49)
A212	0.9 (0.08)	19 1/2" (495)	6 1/2" (165)	5.2 (0.48)	1.8 (0.16)	60 5/16" (1532)	8.0 (0.74)
A213	0.9 (0.08)	19 1/2" (495)	6 1/2" (165)	7.8 (0.73)	2.6 (0.25)	60 5/16" (1532)	12.0 (1.12)
A312	1.4 (0.13)	31 5/16" (795)	6 1/2" (165)	8.6 (0.80)	2.8 (0.26)	60 5/16" (1532)	12.0 (1.12)
A313	1.4 (0.13)	31 5/16" (795)	6 1/2" (165)	12.9 (1.20)	4.2 (0.39)	60 5/16" (1532)	18.0 (1.67)
PA3050**	1.4 (0.13)	31 5/16" (795)	6 1/2" (165)	4.3 (0.40)	1.4 (0.13)	60 5/16" (1532)	6.0 (0.56)
PA3060**	1.4 (0.13)	31 5/16" (795)	6 1/2" (165)	4.3 (0.40)	1.4 (0.13)	60 5/16" (1532)	6.0 (0.56)
PA3550**	1.6 (0.15)	36 3/16" (919)	6 1/2" (165)	4.9 (0.46)	1.6 (0.15)	60 5/16" (1532)	6.8 (0.63)
PA3560**	1.6 (0.15)	36 3/16" (919)	6 1/2" (165)	4.9 (0.46)	1.6 (0.15)	60 5/16" (1532)	6.8 (0.63)
PA4060**	2.0 (0.18)	43 3/8" (1102)	6 1/2" (165)	5.9 (0.55)	2.0 (0.18)	60 5/16" (1532)	8.0 (0.74)
AXW312	1.4 (0.13)	31 1/3" (795)	6 1/2" (165)	13.6 (1.26)	2.8 (0.26)	48 1/2" (1232)	18.0 (1.67)

- * "Top of Subfloor to Top of Inside Sill Stop" is calculated based upon a structural header height of 6'-10 1/2" (2096).
- Dimensions in parentheses are in millimeters or square meters.
- *Clear opening area of 5.8 sq. ft. or 0.54 m² and clear opening height of 26 1/2" (673) can be obtained by detaching operator from sash.
- **Dimensions and calculations are for bottom venting sash.

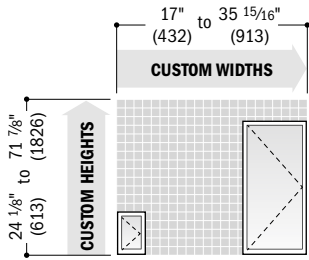
Transom Window Area Specifications

Window Number	Glass Area Sq. Ft./ (m ²)	Overall Window Area Sq. Ft./ (m ²)
CTR1510	0.7 (0.07)	1.4 (0.13)
CTR1810	0.8 (0.07)	1.7 (0.16)
CTR21810	1.7 (0.16)	3.4 (0.32)
CTR31810	2.6 (0.24)	5.1 (0.47)
CTR2010	1.0 (0.09)	2.0 (0.19)
CTR22010	2.1 (0.19)	4.0 (0.37)
CTR32010	3.1 (0.29)	6.0 (0.56)
CTR2410	1.2 (0.11)	2.4 (0.22)
CTR22410	2.5 (0.24)	4.7 (0.44)
CTR32410	3.8 (0.35)	7.1 (0.66)
CTR2810	1.4 (0.13)	2.6 (0.24)
CTR22810	2.9 (0.27)	5.2 (0.49)
CTR3010	1.6 (0.15)	3.0 (0.28)
CTR23010	3.3 (0.31)	6.0 (0.55)
CTR5110	2.8 (0.26)	5.1 (0.47)
CTR2910	1.5 (0.14)	2.8 (0.26)
CTR3410	1.8 (0.17)	3.4 (0.32)
CTR4010	2.2 (0.20)	4.0 (0.37)
CTR4810	2.6 (0.24)	4.7 (0.44)
CTR5210	2.9 (0.27)	5.2 (0.48)
CTR51110	3.4 (0.32)	6.0 (0.56)
CTR6010	3.4 (0.32)	6.0 (0.56)
CTR7010	4.0 (0.37)	7.1 (0.66)
PTR3010	1.6 (0.15)	3.0 (0.28)
PTR3510	1.8 (0.17)	3.4 (0.32)
PTR4010	2.2 (0.20)	4.0 (0.37)
PTR4510	2.4 (0.22)	4.4 (0.41)
PTR5010	2.8 (0.26)	5.0 (0.47)
PTR5510	3.0 (0.28)	5.4 (0.50)
PTR6010	3.4 (0.32)	6.0 (0.56)

- Dimensions in parentheses are in square meters.

Custom Sizes and Specification Formulas

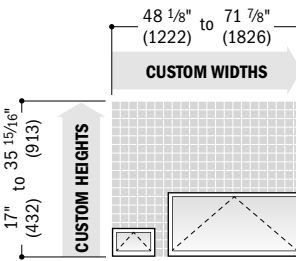
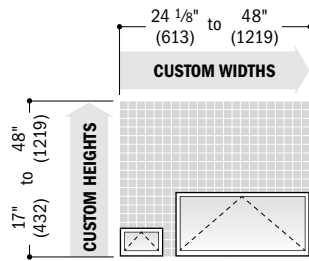
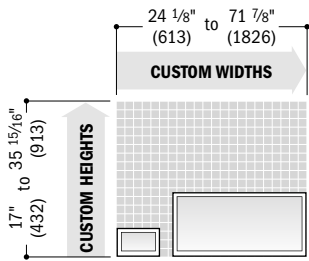
Casement Windows (stationary & venting)



Available in 1/8" (3) increments between minimum and maximum widths and heights. Windows can also be custom sized to match standard sizes ending in a sixteenth of an inch. Some restrictions apply, contact your Andersen supplier. Custom sizing is available for single windows only. To achieve custom-size 2- or 3-wide combinations, join custom-size single windows. For minimum rough opening dimensions for joined windows, see specific joining instruction guides. Measurement guide for custom sized windows can be found at andersenwindows.com/measure.

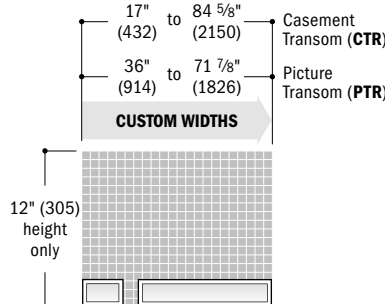
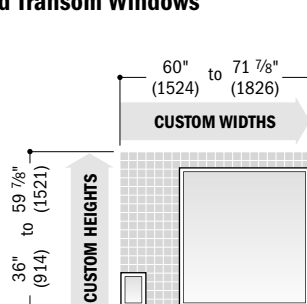
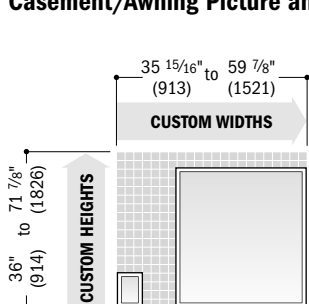
	Clear Opg. Width = window width - 5.81" (148) = (window width - 9.66" (245)) X 1.07 = window width - 9.70" (246) Height = window height - 4.43" (113) = window height - 4.85" (123)	Width ≥ 24 1/8" (613) with straight-arm operator Width ≥ 28 3/8" (721) with split-arm operator & control bracket Width ≥ 17" (432) with split-arm operator Height ≥ 40 13/16" (1037) and < 48" (1219); Width ≥ 28 3/8" (721) and < 31 1/2" (800) All other window heights		Min. R.O. Width = window width + 1/2" (13) Height = window height + 1/2" (13)
	Vent Opg. Width = window width - 5.81" (148) = window width - 6.10" (155) Height = window height - 4.43" (113) = window height - 4.85" (123)	Width ≥ 24 1/8" (613) with straight-arm operator Width ≥ 17" (432) with split-arm operator Height ≥ 40 13/16" (1037) and < 48" (1219); Width ≥ 28 3/8" (721) and < 31 1/2" (800) All other window heights		

Awning Windows (stationary & venting)



	Clear Opg. Width = window width - 4.53" (115) Height = 6.38" (162) = 6.44" (164) = 6.50" (165)	Height ≥ 17" (432) and < 20 1/2" (521) Height ≥ 20 1/2" (521) and < 24 1/8" (613) All other window heights		Min. R.O. Width = window width + 1/2" (13) Height = window height + 1/2" (13)
	Vent Opg. Width = window width - 4.53" (115) Height = 6.38" (162) = 6.44" (164) = 6.50" (165)	Height ≥ 17" (432) and < 20 1/2" (521) Height ≥ 20 1/2" (521) and < 24 1/8" (613) All other window heights		

Casement/Awning Picture and Transom Windows



	Min. R.O. Width = window width - 1/2" (13) Height = window height - 1/2" (13)
	Unobst. Gls. Width = window width - 4.80" (122) Height = window height - 4.80" (122)

• Dimensions in parentheses are in millimeters.
 • **Clear Opg.** (clear opening) formulas provide dimensions for determining area available for egress. **Vent Opg.** (vent opening) formulas provide dimensions for determining area available for passage of air. **Min. R.O.** (minimum rough opening) formulas provide minimum rough opening width and height dimensions. **Unobst. Gls.** (unobstructed glass) formulas provide dimensions for determining area available for passage of light.
 • Refer to andersenwindows.com/measure for detailed instructions on how to properly measure for custom-size windows.

CASEMENT & AWNING WINDOWS

Grille Patterns

	Diamond*	Prairie A	Specified Equal Light with Check Rail (Simulated Check Rail)	Colonial	Modified** Colonial	Modified** Colonial SCR (Simulated Check Rail)	Tall Fractional	Tall Fractional SCR (Simulated Check Rail)	Short Fractional	Short Fractional SCR (Simulated Check Rail)	Victorian
Casement											
Awning											
Picture											
Transom											

*Available only in Simulated Divided Light (SDL) configuration and only in 3/4" (19) and 7/8" (22) widths.

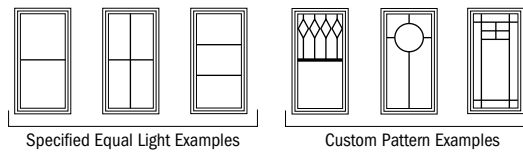
**Location from top of window to bottom of divided light pattern is available at 8" (203), 10" (254), 12" (305), center and custom dimensions.

Number of lights and overall pattern varies with window size. Patterns are not available in all configurations.

Specified equal light and custom patterns are also available.

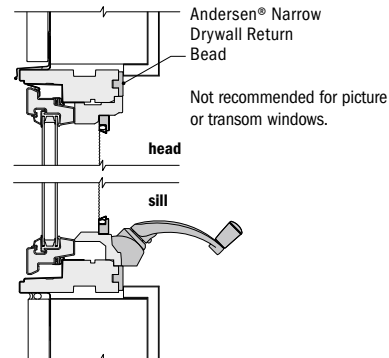
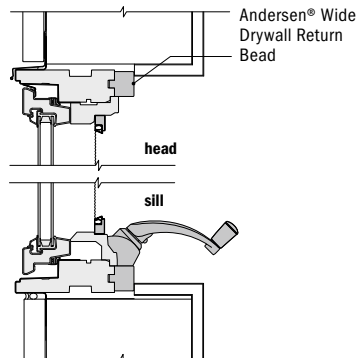
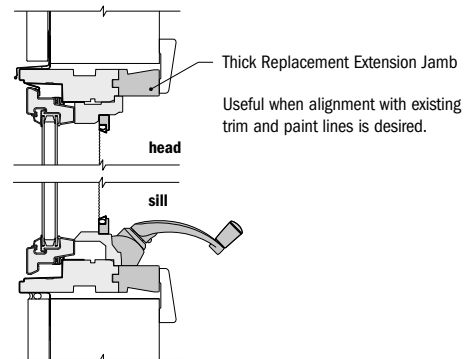
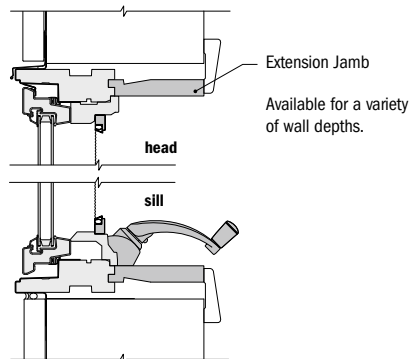
For more information on divided light, see page 11 or visit

andersenwindows.com/grilles.



Interior Trim Options

Extension jamb and drywall return bead applications shown. See page 33 for more information.



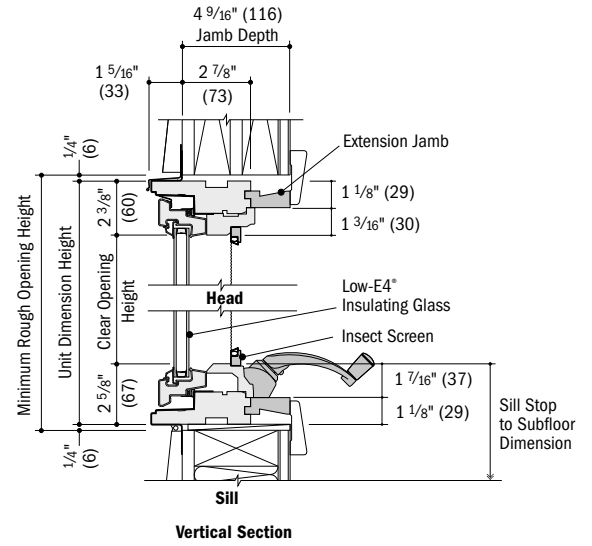
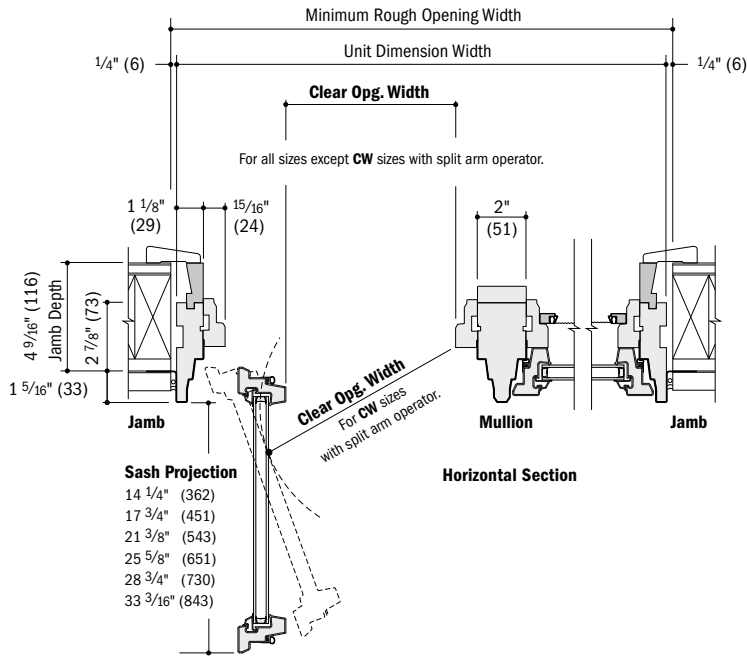
• Light-colored areas are parts included with window. Dark-colored areas are additional Andersen® parts required to complete window assembly as shown.

• Dimensions in parentheses are in millimeters.

• Details are for illustration only and are not intended to represent product installation methods or materials. Refer to product installation guides at andersenwindows.com.

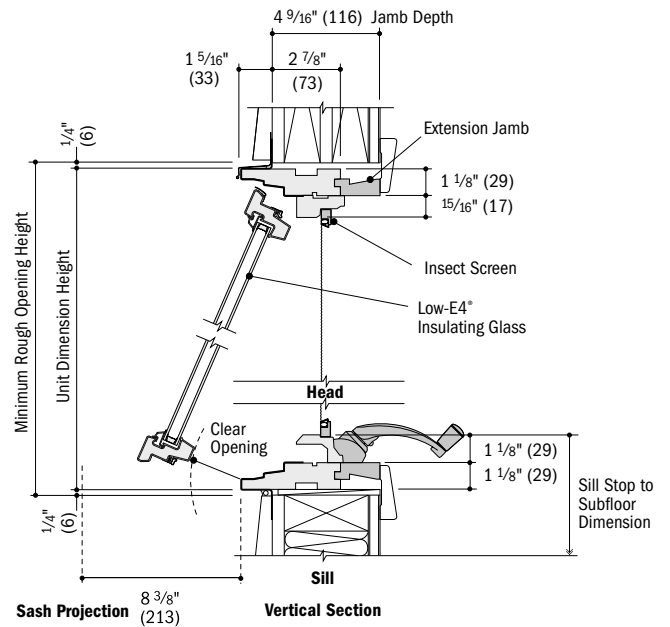
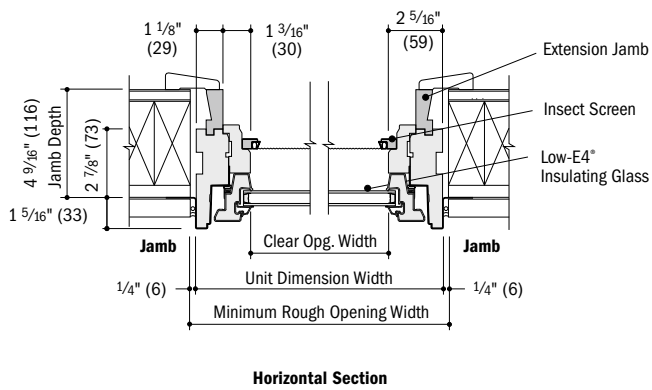
Casement Window Details

Scale 1 1/2" (38) = 1'-0" (305) – 1:8



Awning Window Details

Scale 1 1/2" (38) = 1'-0" (305) – 1:8

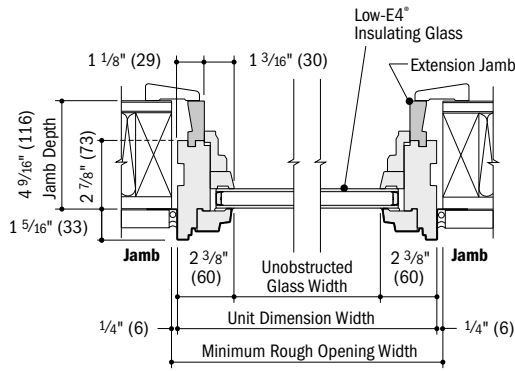


- 4 9/16" (116) Jamb depth measurement is from backside of installation flange.
- Light-colored areas are parts included with window. Dark-colored areas are additional Andersen® parts required to complete window assembly as shown.
- Dimensions in parentheses are in millimeters.
- Rough openings may need to be increased to allow for use of building wraps, flashing, sill panning, brackets, fasteners or other items. See installation information on pages 288-289.
- Details are for illustration only and are not intended to represent product installation methods or materials. Refer to product installation guides at andersenwindows.com.

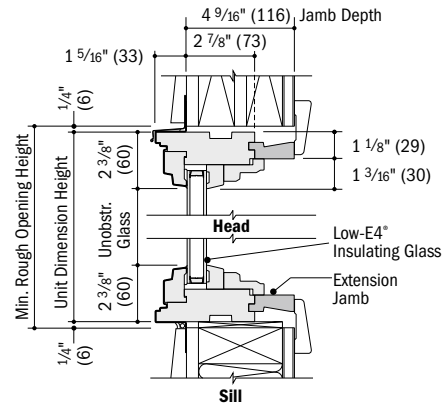
CASEMENT & AWNING WINDOWS

Picture and Transom Window Details

Scale 1 1/2" (38) = 1'-0" (305) – 1:8



Horizontal Section



Vertical Section

Horizontal (stack) Joining Detail

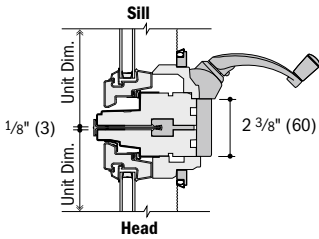
Scale 1 1/2" (38) = 1'-0" (305) – 1:8

Overall Window Dimension Height

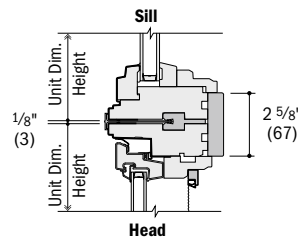
Sum of individual window heights plus 1/8" (3) for each join.

Overall Rough Opening Height

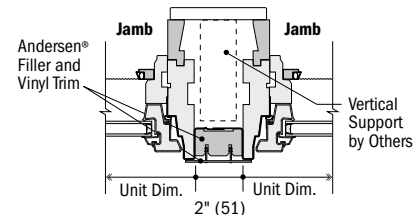
Overall window dimension height plus 1/2" (13).



Vertical Section
Casement over Awning



Vertical Section
Picture over Casement



Horizontal Section
Casement and Casement

Vertical (ribbon) Joining Detail

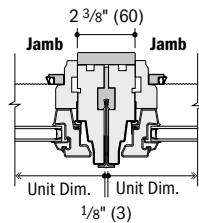
Scale 1 1/2" (38) = 1'-0" (305) – 1:8

Overall Window Dimension Width

Sum of individual window widths plus 1/8" (3) for each join.

Overall Rough Opening Width

Overall window dimension width plus 1/2" (13).



Horizontal Section
Casement to Casement

For more joining information, see the combination designs section starting on page 255.

- 4 9/16" (116) jamb depth measurement is from backside of installation flange.
- Light-colored areas are parts included with window. Dark-colored areas are additional Andersen® parts required to complete window assembly as shown.
- Dimensions in parentheses are in millimeters.
- Rough openings may need to be increased to allow for use of building wraps, flashing, sill panning, brackets, fasteners or other items. See installation information on pages 288-289.
- Details are for illustration only and are not intended to represent product installation methods or materials. Refer to product installation guides at andersenwindows.com.
- Consult with an architect or structural engineer regarding minimum requirements for structural support members between adjacent rough openings.

REPLACEMENT CASEMENT & AWNING WINDOWS

400 Series
Replacement Casement
& Awning Windows

CUSTOM SIZING
in 1/8" (3) increments



SECTION REFERENCE

Sizes.....	52
Specifications	52
Grille Patterns	46
Window Details	47-48
Product Performance.....	269
Warranty.....	290-291

Dimensions in parentheses are in millimeters.

REPLACEMENT CASEMENT & AWNING WINDOWS

FEATURES

Frame

A A seamless one-piece, rigid vinyl frame cover is secured to the exterior of the frame to protect the wood frame from moisture and maintain an attractive appearance while minimizing maintenance.

B Pre-drilled, through-the-jamb installation holes allow for quick and easy installation.

C Wood frame members are treated with a water-repellent preservative for long-lasting* protection and performance.

D Interior stops are unfinished pine. Low-maintenance prefinished White, Dark Bronze and Black interiors are also available.

Sash

E Rigid vinyl encases the entire sash — a vinyl weld protects each sash corner for superior weathertightness. It maintains an attractive appearance and minimizes maintenance.

F Wood core members provide excellent structural stability and energy efficiency.

G Flexible bulb weatherstripping or vinyl closed-cell foam weatherstripping is factory installed on the perimeter of the sash.

Hardware

Smooth Control Hardware System



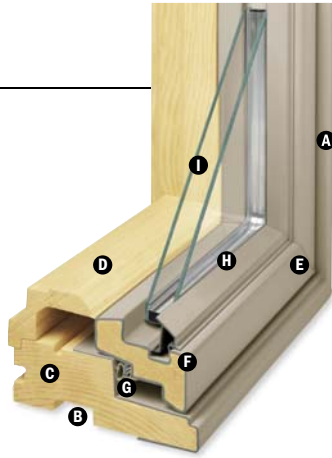
The smooth control hardware system employs a worm gear drive for easy operation. Units with a split-arm operator move the sash away from the frame to provide easier glass

cleaning. **CXW15**, **CXW155**, **CXW16** and **CXW25** sizes are not available with split-arm hardware. Hardware option and finish must be specified. Operator handle and cover sold separately.



Single-Actuation Casement Lock

On casement windows, a single-actuation lock easily releases all locking points on casement sash while the reach-out action eliminates binding when closing. The lock handle is offered in finishes that coordinate with your specified hardware option.



Awning Sash Locks



Awning sash locks provide an added measure of security and weathertightness. Hardware style and finish options are compatible with Andersen® casement windows to ensure consistency in appearance when used in combination designs.

Glass

H A glazing bead and silicone provide superior weathertightness and durability.

I High-Performance glass options include:

- Low-E4® glass
- Low-E4 HeatLock® glass
- Low-E4 Sun glass
- Low-E4 SmartSun™ glass
- Low-E4 SmartSun HeatLock glass

Tempered glass and other glass options are available. Contact your Andersen supplier.

A removable translucent film helps shield the glass from damage during delivery and construction and simplifies finishing at the jobsite.

Patterned Glass

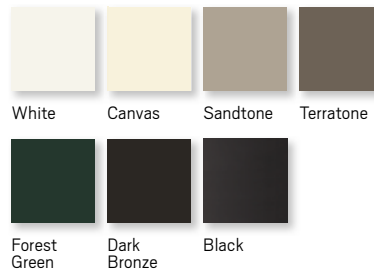
Patterned glass options are available. See page 10 for more details.

Included Installation Materials

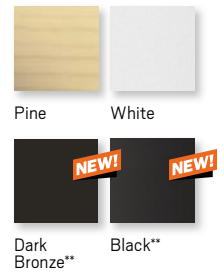


Flat, self-hanging shims, backer rod, installation screws and complete instructions are included with each replacement casement window. Measurement guide and worksheet at andersenwindows.com/measure.

EXTERIOR



INTERIOR



Naturally occurring variations in grain, color and texture of wood make each window one-of-a-kind. All wood interiors are unfinished unless a prefinished option is specified.

HARDWARE FINISHES



Distressed bronze and oil rubbed bronze are "living" finishes that will change with time and use.

CASEMENT & AWNING HARDWARE OPTIONS†

CLASSIC SERIES™



Stone | White

ESTATE™



Antique Brass | Bright Brass
Brushed Chrome | Distressed Bronze
Distressed Nickel | Oil Rubbed Bronze
Polished Chrome | Satin Nickel

TRADITIONAL FOLDING



Antique Brass | Black | Bright Brass
Distressed Bronze | Distressed Nickel
Gold Dust | Oil Rubbed Bronze | Satin Nickel
Stone | White

CONTEMPORARY FOLDING



Black | Bright Brass
Gold Dust | Oil Rubbed Bronze
Satin Nickel | Stone | White

Folding handle avoids interference with window decorating treatments.
Bold name denotes finish shown.

For more information about **glass, patterned glass, art glass, grilles and TruScene® insect screen** see pages 10-17.

For more information about **product performance, installation accessories and warranty** see pages 269-291 or visit

* Visit andersenwindows.com/warranty for details.

** Dark Bronze and Black interiors are only available with Dark Bronze and Black exteriors respectively.

† Hardware sold separately.

Printing limitations prevent exact duplication of colors and finishes. See your Andersen supplier for actual color and finish samples.

ACCESSORIES Sold Separately

Frame

Extension Jamb



Standard jamb depth is 2 7/8" (73). Extension jambs are available in unfinished pine or prefinished White. Some sizes may be veneered.

Factory-applied and non-applied interior extension jambs are available in 1/16" (1.5) increments between 4 3/16" (116) and 7 1/8" (181). Extension jambs can be factory applied to either three sides (stool and apron application) or four sides (picture frame casing).

Thick Replacement Extension Jambs



To help preserve original alignment of trim and paint lines, special 1 1/8" (29) thick replacement extension jambs are available. Factory-applied and non-applied extension jambs are available in 1/16" (1.5) increments between 4 3/16" (116) and 7 1/8" (181). Non-applied extension jambs are available in 12" (3658) lineals. Detail on page 46.

Drywall Return Bead



A drywall return bead is available in a narrow or wide dimension with unfinished pine or prefinished White interiors. Can be ordered factory-applied or in non-applied lineals. Detail on page 46.

Hardware

Corrosion-Resistant Components



Corrosion-resistant hinge and operator arm hardware is designed for applications in harsh and corrosive environments such as heavy industrial or coastal areas.*

Window Opening Control Device Kit



A Window Opening Control Device Kit is available, which limits sash travel to less than 4" (102) when the window is first opened. Available in Stone, White and Black.

Special Use Operator Handles

Available in Classic Series™ design only.

Compact Operator Handle



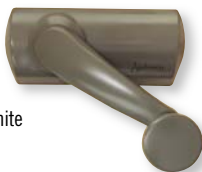
Specially designed for use in situations

where blinds or other window treatments interfere with standard operator handle. Available in White or Stone finish.

Easy-Grip Handle

Larger knob makes it easier to grip and operate.

Available in White or Stone finish.



Metal T-Handle



Our smallest operator handle, the metal T-handle may make it more difficult for young children (5 and under) to open the window.

For more information on child safety, write:

Andersen Corporation
LookOut for Kids® Program
100 Fourth Avenue North
Bayport, MN 55003

Call 1-800-313-8889 or email us at:
lofk@andersencorp.com

Operator Spline Cover



An operator spline cover is an attractive cap that covers the roto operator stud when the handle has been removed to control access or operation of the window. The operator spline cover should not be used on any window designated or intended for emergency escape or rescue. Please consult your local building code official for local egress code requirements.

Power Operator for Awning Windows



Awning windows can now be ordered with an operator enhanced by PowerAssist™ technology that opens and closes the window with the touch of a button. Easy to install, the 24-volt system features a concealed window power drive, battery back-up in case of a power outage and a moisture sensor that automatically closes the window when it rains. A wireless remote is available (sold separately).

The PowerAssist system is controlled by a wall-mounted console, which includes a power box, battery, touch pad and mounting bracket. Windows can be ordered factory-prepped to save time or ordered as a field kit. Power driver requires field installation.

PowerAssist technology eliminates the need for sash locks. Available for windows up to five feet wide. Not available with Stormwatch® protection or PG upgrades.

Security Sensors

VeriLock® Sensors

VeriLock sensors are available in five colors. See page 30 for details.

Open/Closed Sensors

Wireless open/closed sensors are available in four colors. See page 30 for details.

Glass

Andersen® Art Glass

Andersen art glass panels come in a variety of original patterns. See pages 213-214 for details on Andersen art glass. Visit andersenwindows.com/artglass for details and pattern information.

Insect Screens

TruScene® Insect Screen



Exclusive Andersen® TruScene® insect screens provide over 50% more clarity than our conventional insect screens for a beautiful unobstructed view. They allow more fresh air and sunlight in, while doing a better job of keeping out small insects. For casement and awning windows, they are available with Stone, White, Dark Bronze or Black-colored frames or with pine veneer frame interiors to blend with the wood interior of the window.

Conventional Insect Screen

Conventional insect screens have charcoal powder-coated aluminum screen mesh. Available with frames in Stone, White, Dark Bronze and Black.

Grilles

Grilles are available in a variety of configurations and widths. For casement and awning grille patterns, see page 46.

CAUTION:

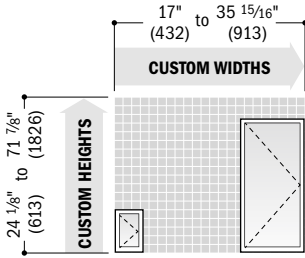
- Painting and staining may cause damage to rigid vinyl.
- Do not paint 400 Series windows with White, Canvas, Sandtone, Forest Green, Dark Bronze or Black exterior colors.
- Andersen does not warrant the adhesion or performance of homeowner-applied paint over vinyl or other factory-coated surfaces.
- 400 Series windows in Terratone color may be painted any color lighter than Terratone color using quality oil-base or latex paint.
- For vinyl painting instructions and preparation, contact your Andersen supplier.
- Do not paint weatherstripping.
- Creosote-based stains should not come in contact with Andersen products.
- Abrasive cleaners or solutions containing corrosive solvents should not be used on Andersen products.

* Visit andersenwindows.com/warranty for details. Dimensions in parentheses are in millimeters.

REPLACEMENT CASEMENT & AWNING WINDOWS

Replacement Sizes and Specification Formulas

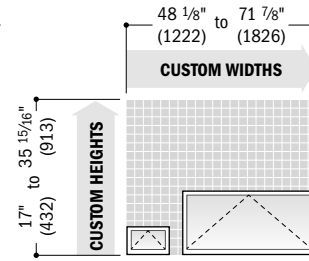
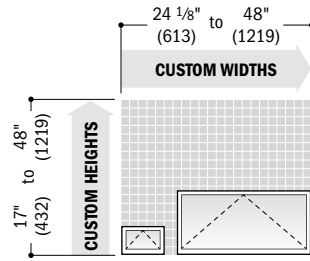
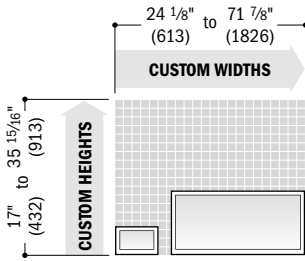
Casement Windows (stationary & venting)



Available in 1/8" (3) increments between minimum and maximum widths and heights. Windows can also be custom sized to match standard sizes ending in a sixteenth of an inch. Some restrictions apply, contact your Andersen supplier. Custom sizing is available for single windows only. To achieve custom-size 2- or 3-wide combinations, join custom-size single windows. For minimum rough opening dimensions for joined windows, see specific joining instruction guides. Measurement guide for custom sized windows can be found at andersenwindows.com/measure. Thick replacement extension jambs are available to preserve original alignment of trim and paint lines. Shown on page 51, see page 46 for detail.

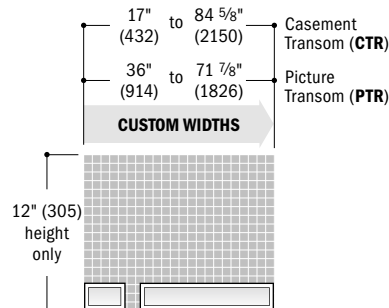
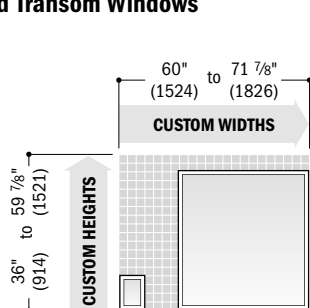
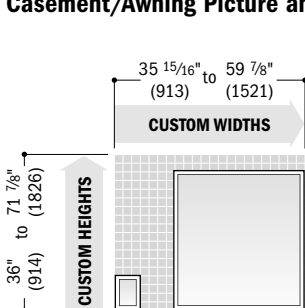
	Clear Opg. Width = window width - 5.81" (148) = (window width - 9.66" (245)) X 1.07 = window width - 9.70" (246) Height = window height - 4.43" (113) = window height - 4.85" (123)	Width ≥ 24 1/8" (613) with straight-arm operator Width ≥ 28 3/8" (721) with split-arm operator & control bracket Width ≥ 17" (432) with split-arm operator Height ≥ 40 13/16" (1037) and < 48" (1219); Width ≥ 28 3/8" (721) and < 31 1/2" (800) All other window heights	Min.R.O. 	Width = window width + 1/2" (13) Height = window height + 1/2" (13)
		Vent Opg. Width = window width - 5.81" (148) = window width - 6.10" (155) Height = window height - 4.43" (113) = window height - 4.85" (123)	Width ≥ 24 1/8" (613) with straight-arm operator Width ≥ 17" (432) with split-arm operator Height ≥ 40 13/16" (1037) and < 48" (1219); Width ≥ 28 3/8" (721) and < 31 1/2" (800) All other window heights	Unobst. Gls.

Awning Windows (stationary & venting)



	Clear Opg. Width = window width - 4.53" (115) Height = 6.38" (162) = 6.44" (164) = 6.50" (165)	Height ≥ 17" (432) and < 20 1/2" (521) Height ≥ 20 1/2" (521) and < 24 1/8" (613) All other window heights	Min.R.O. 	Width = window width + 1/2" (13) Height = window height + 1/2" (13)
		Vent Opg. Width = window width - 4.53" (115) Height = 6.38" (162) = 6.44" (164) = 6.50" (165)	Height ≥ 17" (432) and < 20 1/2" (521) Height ≥ 20 1/2" (521) and < 24 1/8" (613) All other window heights	Unobst. Gls.

Casement/Awning Picture and Transom Windows



Min.R.O. 	Width = window width - 1/2" (13) Height = window height - 1/2" (13)
Unobst. Gls. 	Width = window width - 4.80" (122) Height = window height - 4.80" (122)

• Dimensions in parentheses are in millimeters.
 • **Clear Opg.** (clear opening) formulas provide dimensions for determining area available for egress. **Vent Opg.** (vent opening) formulas provide dimensions for determining area available for passage of air. **Min. R.O.** (minimum rough opening) formulas provide minimum rough opening width and height dimensions. **Unobstr. Gls.** (unobstructed glass) formulas provide dimensions for determining area available for passage of light.
 • Refer to andersenwindows.com/measure for detailed instructions on how to properly measure for custom-size windows.

COMPLEMENTARY CASEMENT WINDOWS

CUSTOM SIZING
in 1/8" (3) increments



400 Series
Complementary
Casement Windows

SECTION REFERENCE

Styles & Sizes	56
Window Details	57-58
Product Performance.....	269
Warranty.....	290-291

Dimensions in parentheses are in millimeters.

COMPLEMENTARY CASEMENT WINDOWS

FEATURES

Frame

A Heavy-duty extruded aluminum cladding protects the frame exterior, providing low-maintenance durability. Standard cladding finish meets AAMA 2604. An optional finish that meets the AAMA 2605 standard is also available.

B Wood frame members are treated with a water-repellent wood preservative for long-lasting* protection and performance.

C Interior stops are unfinished. Low-maintenance prefinished White, Dark Bronze and Black interiors are also available.

Installation flange extends 1 1/2" (38) around the perimeter of the unit for positioning and locating. Installation clips are standard for increased structural anchoring to building members. Mounted around the frame perimeter, the clips rotate into position and can be bent into place against the framing members to suit all jamb conditions.

Sash

D Wood core members provide excellent structural stability and energy efficiency.

E Heavy-duty extruded aluminum cladding protects the sash exterior, providing low-maintenance durability.

F Weatherstripping throughout the unit provides a long-lasting, energy-efficient seal. Rain skirt is factory installed on the perimeter of the sash.

Glass

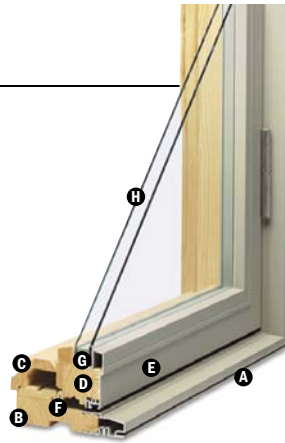
G Silicone glazing bead combined with two-sided silicone tape provides superior weathertightness.

H High-Performance glass options include:

- Low-E4® glass
- Low-E4 HeatLock® glass
- Low-E4 Sun glass
- Low-E4 SmartSun™ glass
- Low-E4 SmartSun HeatLock glass

Tempered glass and other glass options are available. Contact your Andersen supplier.

A removable translucent film helps shield the glass from damage during delivery and construction and simplifies finishing at the jobsite.



Patterned Glass

Patterned glass options are available. See page 10 for more details.

Hardware

Smooth Control Hardware System



The smooth control hardware system employs a worm gear drive for easy operation. The split-arm operator moves the sash away from the frame to provide for easier glass cleaning on rectangular units. Arch and Springline™ units use the same smooth control hardware system with stainless steel butt hinges for smooth operation. Hardware option and finish must be specified. Operator handle and cover sold separately.

Single-Actuation Casement Lock



A single-actuation lock easily releases all locking points on casement sash while the reach-out action eliminates binding when closing. The lock handle is offered in finishes that coordinate with your specified hardware option.

EXTERIOR

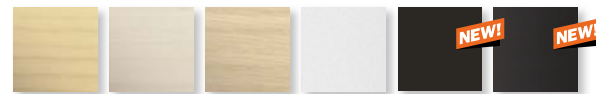


White Canvas Sandtone Terratone Forest Green Dark Bronze



Dove Gray Prairie Grass Red Rock Cocoa Bean Black

INTERIOR



Pine Maple Oak White Dark Bronze** Black**

Naturally occurring variations in grain, color and texture of wood make each window one-of-a-kind. All wood interiors are unfinished unless a prefinished option is specified.

HARDWARE FINISHES



Antique Brass Black Bright Brass Brushed Chrome Distressed Bronze Distressed Nickel



Gold Dust Oil Rubbed Bronze Polished Chrome Satin Nickel Stone White

Distressed bronze and oil rubbed bronze are "living" finishes that will change with time and use.

CASEMENT HARDWARE OPTIONS†

CLASSIC SERIES™



Stone | White

ESTATE™



Antique Brass | Bright Brass
Brushed Chrome | Distressed Bronze
Distressed Nickel | Oil Rubbed Bronze
Polished Chrome | Satin Nickel

TRADITIONAL FOLDING



Antique Brass | Black | Bright Brass
Distressed Bronze | Distressed Nickel
Gold Dust | Oil Rubbed Bronze | Satin Nickel
Stone | White

CONTEMPORARY FOLDING



Black | Bright Brass
Gold Dust | Oil Rubbed Bronze
Satin Nickel | Stone | White

Folding handle avoids interference with window decorating treatments.
Bold name denotes finish shown.

* Visit andersenwindows.com/warranty for details.

** Dark Bronze and Black interiors are only available with Dark Bronze and Black exteriors respectively.

† Hardware sold separately.

Dimensions in parentheses are in millimeters.

Printing limitations prevent exact duplication of colors and finishes.

See your Andersen supplier for actual color and finish samples.

French Casement



Andersen® complementary French casements allow both sash to swing outward from the center, eliminating a center mullion post. They offer smooth operating multi-point locking mechanisms and hinges. The multi-point lock is activated with a single turn of a handle and simultaneously secures both sash. French casement windows have a unique locking handle that is available in all finishes, except distressed bronze, distressed nickel and gold dust.

ACCESSORIES Sold Separately

Frame

Extension Jamb



Complementary casement jamb depth is 3 3/8" (86). Extension jambs are available in 1/16" (1.5) increments between 4 1/16" (116) and 7 1/8" (181). Additional dimensions are available. Contact your Andersen supplier for more information. Extension jambs are available in unfinished pine or prefinished White. Available for jobsite application or can be factory-applied.

Hardware

Corrosion-Resistant Components



Corrosion-resistant hinge and operator arm hardware is designed for applications in harsh and corrosive environments such as heavy industrial or coastal areas.

Window Opening Control Device Kit



A Window Opening Control Device Kit (shown on standard casement window) is available, which limits sash travel to less than 4" (102) when the window is first opened. Available in Stone, White and Black.

Special Use Operator Handles

Available in Classic Series™ design only.

Compact Operator Handle



Specially designed for use in situations where blinds or other window treatments interfere with standard operator handle. Available in White or Stone finish.

Easy-Grip Handle



Larger knob makes it easier to grip and operate. Available in White or Stone finish.

Metal T-Handle



Our smallest operator handle, the metal T-handle, may make it more difficult for young children (5 and under) to open the window.

For more information on child safety, write:

Andersen Corporation
LookOut for Kids® Program
100 Fourth Avenue North
Bayport, MN 55003

Call 1-800-313-8889 or email us at:
lofk@andersencorp.com

Operator Spline Cover



An operator spline cover is an attractive cap that covers the roto operator stud when the handle has been removed to control access or operation of the window. The operator spline cover should not be used on any window designated or intended for emergency escape or rescue. Please consult your local building code official for local egress code requirements.

Security Sensors

VeriLock® Sensors

VeriLock sensors are available in five colors. See page 30 for details.

Open/Closed Sensors

Wireless open/closed sensors are available in four colors. See page 30 for details.

Insect Screens

TruScene® Insect Screen



Exclusive Andersen® TruScene® insect screens provide over 50% more clarity than our conventional insect screens for a beautiful unobstructed view. They allow more fresh air and sunlight in, while doing a better job of keeping out small insects. For complementary casement windows, TruScene frames are available in White, Stone, Dark Bronze and Black as well as pine, oak and maple wood veneers.

Conventional Insect Screen

Conventional insect screens have black fiberglass screen mesh. Optional charcoal powder-coated aluminum screen mesh is available. Frames are available in White, Stone, Dark Bronze and Black.

CAUTION:

- Do not paint weatherstripping.
- Creosote-based stains should not come in contact with Andersen products.
- Abrasive cleaners or solutions containing corrosive solvents should not be used on Andersen products.

* Visit andersenwindows.com/warranty for details.
Dimensions in parentheses are in millimeters.

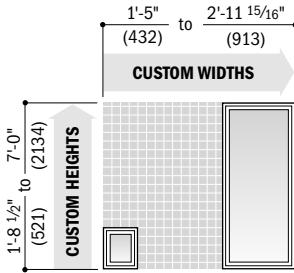
COMPLEMENTARY CASEMENT WINDOWS

Styles and Sizes

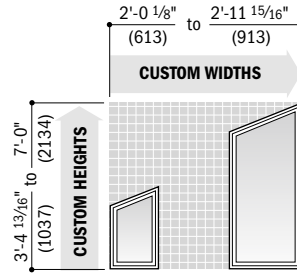
Choose left, right or stationary as viewed from the exterior. Custom-size complementary casement windows are available in 1/8" (3) increments between minimum and maximum widths and heights. Standard sizes are available to complement Andersen® 400 Series products. Contact your Andersen supplier for details.



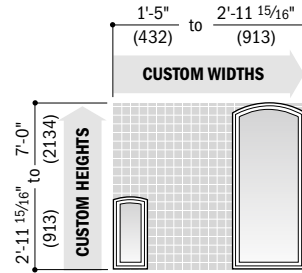
Rectangle Casement



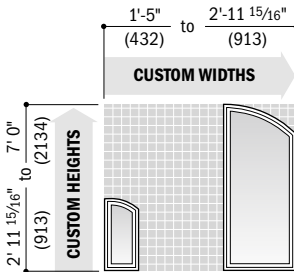
Trapezoid Casement*



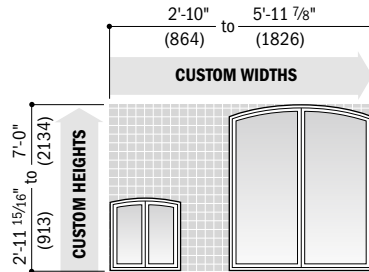
Arch Casement*



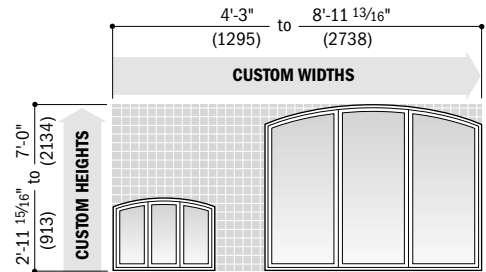
Unequal Leg Arch Casement



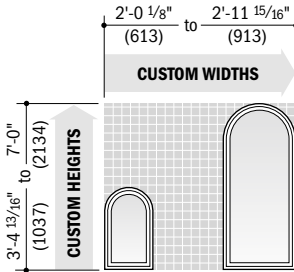
Twin Arch Casement*



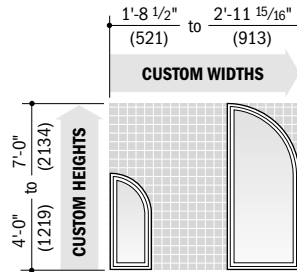
Triple Arch Casement*



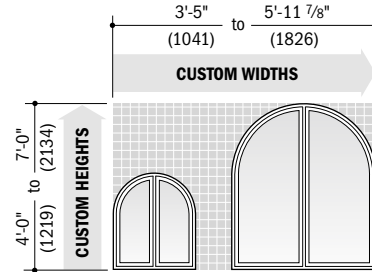
Springline™ Casement*



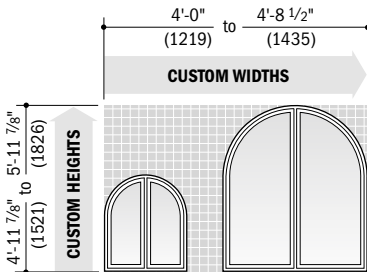
Springline™ Flanker Casement*



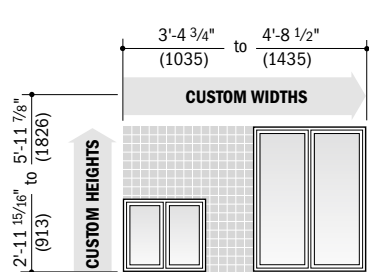
Twin Springline™ Casement*



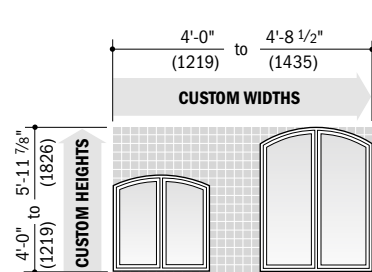
Springline™ French Casement



Rectangle French Casement



Arch French Casement



For casement picture and transom window sizes contact your Andersen supplier.

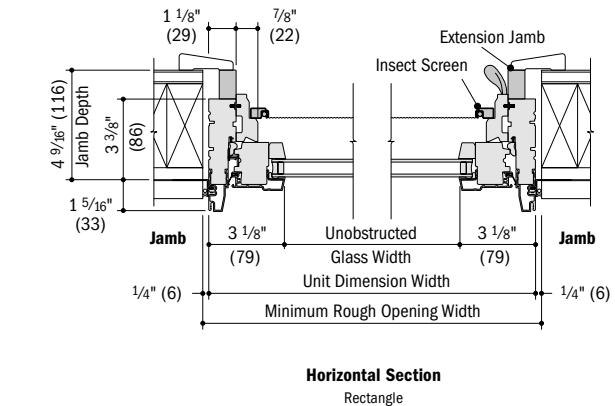
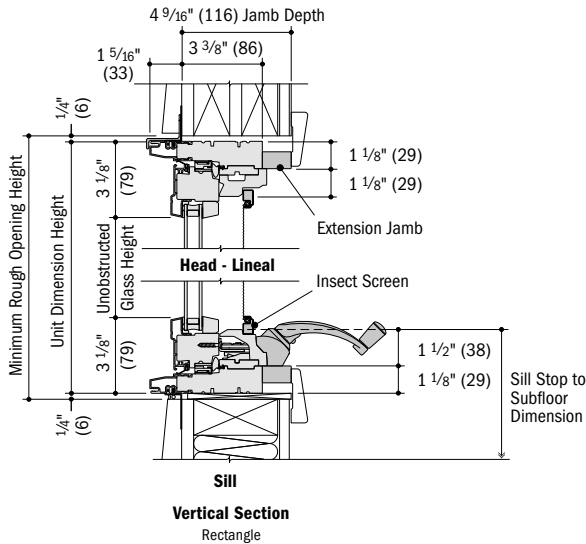
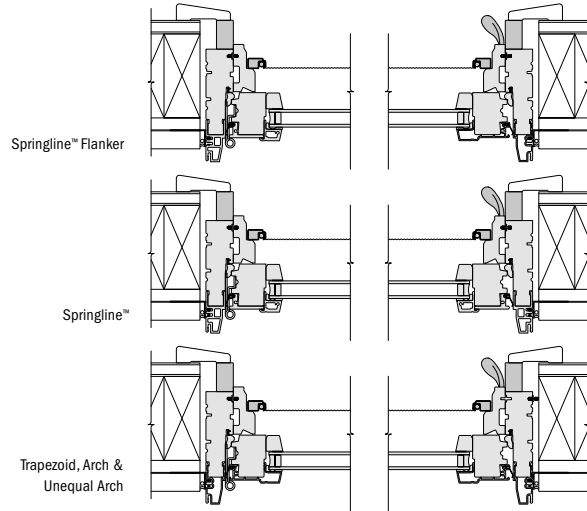
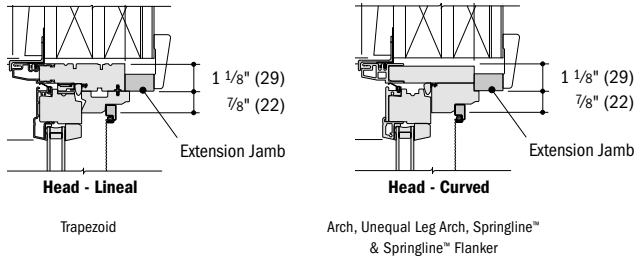
* Rough openings may need to be increased to allow for use of building wraps, flashing, sill panning, brackets, fasteners or other items. See pages 288-289 for more details.

* Dimensions in parentheses are in millimeters.

* For exterior wall cladding that extends beyond the face of the window, there may be a reduction in the amount of opening "swing" when the curved portion of the sash touches the curved portion of the wall cladding.

Clad Complementary Venting Casement Window Details

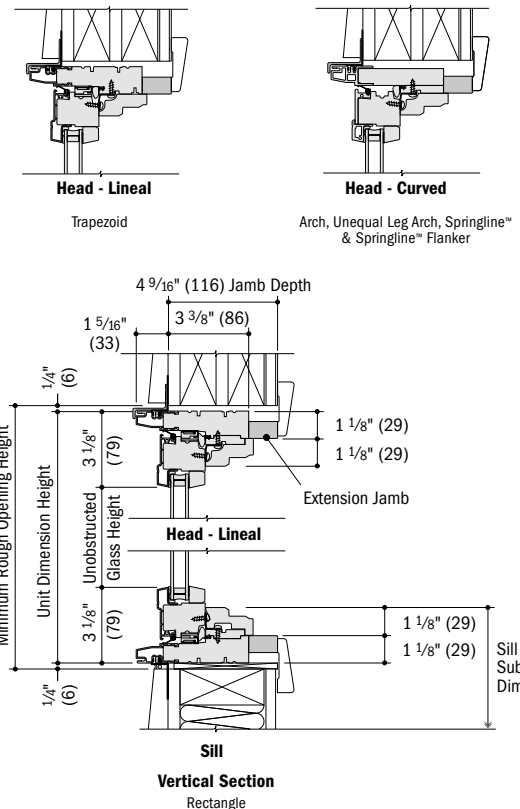
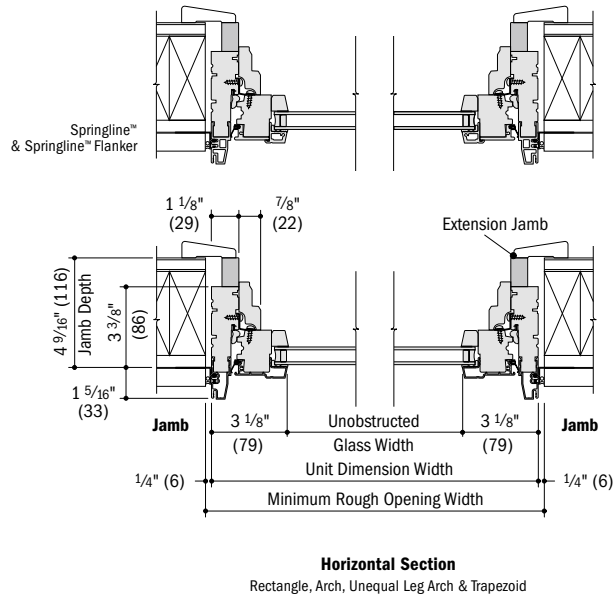
Scale 1 1/2" (38) = 1'-0" (305) – 1:8



400 Series
Complementary
Casement Windows

Clad Complementary Stationary Casement Window Details

Scale 1 1/2" (38) = 1'-0" (305) – 1:8

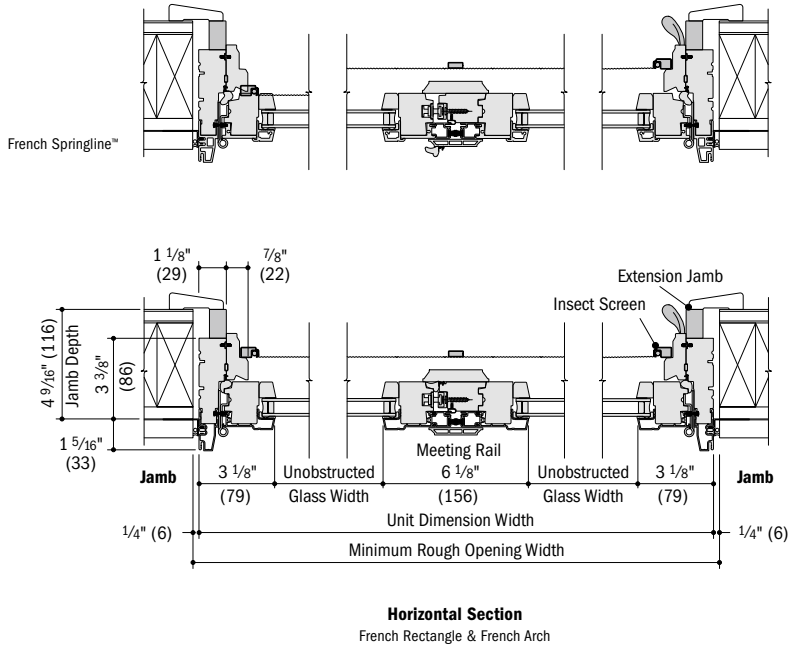


- 4 9/16" (116) jamb depth measurement is from backside of installation flange.
- Light-colored areas are parts included with window. Dark-colored areas are additional Andersen® parts required to complete window assembly as shown.
- **Rough openings may need to be increased to allow for use of building wraps, flashing, sill panning, brackets, fasteners or other items. See installation information on pages 288-289.**
- Details are for illustration only and are not intended to represent product installation methods or materials. Refer to unit installation guides at andersenwindows.com.
- Dimensions in parentheses are in millimeters.

COMPLEMENTARY CASEMENT WINDOWS

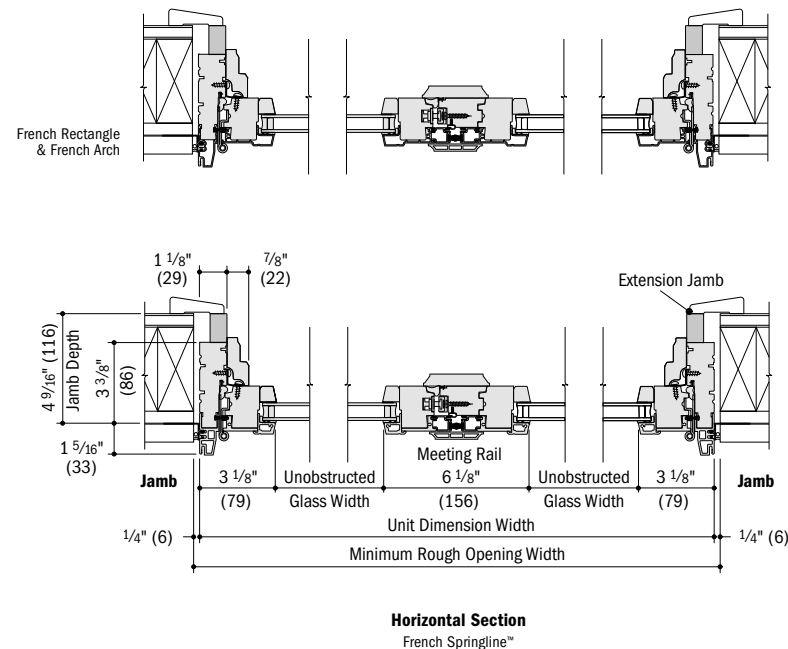
Clad Complementary Venting French Casement Window Details

Scale 1 1/2" (38) = 1'-0" (305) – 1:8



Clad Complementary Stationary French Casement Window Details

Scale 1 1/2" (38) = 1'-0" (305) – 1:8



- 4 9/16" (116) jamb depth measurement is from backside of installation flange.
- Light-colored areas are parts included with window. Dark-colored areas are additional Andersen™ parts required to complete window assembly as shown.
- Rough openings may need to be increased to allow for use of building wraps, flashing, sill panning, brackets, fasteners or other items. See installation information on pages 288-289.
- Details are for illustration only and are not intended to represent product installation methods or materials. Refer to unit installation guides at andersenwindows.com.
- Dimensions in parentheses are in millimeters.

WOODWRIGHT[®] DOUBLE-HUNG FULL-FRAME WINDOWS

CUSTOM SIZING
in 1/8" (3) increments



400 Series
Woodwright[®] Double-Hung
Full-Frame Windows

SECTION REFERENCE

Tables of Sizes	62-68
Specifications	66-73
Grille Patterns	74
Window Details	74-75
Joining Details.....	76
Custom Sizing.....	77
Combination Designs	255
Product Performance.....	269
Warranty.....	290-291

Dimensions in parentheses are in millimeters.

WOODWRIGHT® DOUBLE-HUNG FULL-FRAME WINDOWS

FEATURES

Frame

A Perma-Shield® exterior cladding protects the frame – beautifully. Best of all, it's low-maintenance and never needs painting.*

B For exceptionally long-lasting* performance, sill members are constructed with a wood core and a Fibrex® material exterior.

C Natural wood stops are available in pine, oak, maple and prefinished White. Wood jamb liners add beauty and authenticity to the window interior.

D A factory-applied rigid vinyl flange on the head, sill and sides of the outer frame helps secure the unit to the structure.

E Multiple weatherstripping systems help provide a barrier against wind, rain and dust. The combination of spring tension vinyl, rigid vinyl and flexible bulb weatherstripping is efficient and effective.

F For units with White exterior color, exterior jamb liner is White. For all other units, the exterior jamb liner is gray.

Sash

G Balancers in the sash enable contractors to screw through the jamb during installation without interfering with the window's operation.

Wood Jamb Liner



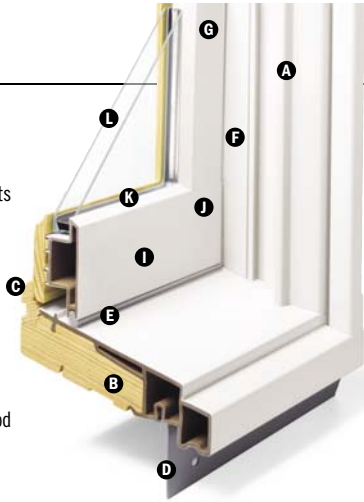
H Natural wood sash interior with classic chamfer detailing. Available in pine, oak, maple or prefinished White.

I Low-maintenance sash exterior provides long-lasting* protection and performance. Sash exteriors on most units include Fibrex® material.

J Sash joints simulate the look of traditional mortise-and-tenon construction inside and out.

Glass

K Silicone bed glazing provides superior weathertightness and durability.



L High-Performance glass options include:

- Low-E4® glass
- Low-E4 HeatLock® glass
- Low-E4 Sun glass
- Low-E4 SmartSun™ glass
- Low-E4 SmartSun HeatLock glass

Tempered glass and other glass options are available. Contact your Andersen supplier.

A removable translucent film helps shield the glass from damage during delivery and construction and simplifies finishing at the jobsite.

Patterned Glass

Patterned glass options are available. See page 10 for more details.

Hardware



New standard lock and keeper design provides an easy tilt-to-clean feature integrated into the lock.



Woodwright® double-hung full-frame windows are available with Stormwatch® protection. For more information contact your Andersen supplier.

Performance Grade (PG) Upgrade

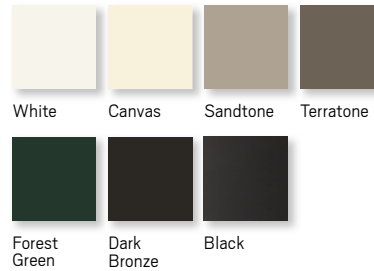
Performance upgrades are available for select sizes allowing these units to achieve higher performance ratings. Performance Grade (PG) Ratings replace Design Pressure (DP) Ratings for measuring product performance. For up-to-date performance information of individual products, please visit andersenwindows.com. Use of this option will subtract 3/8" (16) from clear opening height.

* Visit andersenwindows.com/warranty for details.

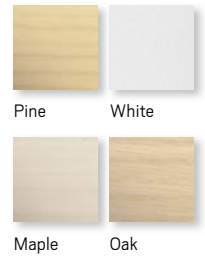
** Hardware sold separately.

Dimensions in parentheses are in millimeters. Printing limitations prevent exact duplication of colors and finishes. See your Andersen supplier for actual color and finish samples.

EXTERIOR



INTERIOR



Naturally occurring variations in grain, color and texture of wood make each window one-of-a-kind. All wood interiors are unfinished unless prefinished White is specified.

HARDWARE FINISHES



Distressed bronze and oil rubbed bronze are "living" finishes that will change with time and use.

DOUBLE-HUNG HARDWARE

STANDARD

Lock & Keeper



Antique Brass | **Black** | Bright Brass
Brushed Chrome | Distressed Bronze
Distressed Nickel | Gold Dust | Oil Rubbed Bronze
Polished Chrome | Satin Nickel | Stone | White

OPTIONAL DOUBLE-HUNG LIFT HARDWARE**

CONTEMPORARY

Bar Lift



Antique Brass | Black | Bright Brass
Brushed Chrome | Distressed Bronze
Distressed Nickel | Gold Dust
Oil Rubbed Bronze | Polished Chrome
Satin Nickel | Stone | White

ESTATE™

Hand Lift

Finger Lifts



Antique Brass | Bright Brass
Brushed Chrome | Distressed Bronze
Distressed Nickel | Oil Rubbed Bronze
Polished Chrome | **Satin Nickel**

TRADITIONAL

Bar Lift

Hand Lift

Finger Lifts



Antique Brass | Black | Bright Brass | Brushed Chrome | Distressed Bronze | Distressed Nickel
Gold Dust | **Oil Rubbed Bronze** | Polished Chrome | Satin Nickel | Stone | White

CLASSIC SERIES™

Bar Lift

Hand Lift

Finger Lifts



Stone | **White**

Bold name denotes finish shown.

Shapes

Woodwright® windows are available in the following shapes.



Rectangular Double-Hung



Arch Double-Hung



Springline™ Single-Hung



Unequal Leg Arch Double-Hung

Sash Options*



Cottage Style



Reverse Cottage Style

For more information about glass, patterned glass, grilles and TruScene® insect screen see pages 10-16.

For more information about combination designs, product performance, installation accessories and warranty see pages 255-291 or visit

andersenwindows.com

ACCESSORIES Sold Separately

Frame

Extension Jamb



Standard jamb depth is 4 1/2" (114). Extension jambs are available in unfinished pine or prefinished White. Some sizes may be veneered.

Factory-applied and non-applied interior extension jambs are available in 1/16" (1.5) increments between 5 1/4" (133) and 7 1/8" (181). Extension jambs can be factory-applied to either three sides (stool and apron application) or four sides (picture frame casing).

Pine Stool



A clear pine stool is available and ready for finishing. The Woodwright® stool is available in 4 9/16" (116) for use in wall depths up to 5 1/4" (133), and 6 9/16" (167) for use in wall depths up to 7 1/8" (181). Works with 2 1/4" (57) and 2 1/2" (64) wide casings. 400 Series tilt-wash double-hung window shown.

Sash

Window Opening Control Device Kit



A Window Opening Control Device Kit is available, which limits sash travel to less than 4" (102) when the window is first opened. Available in Stone and White.

Security Sensors

Open/Closed Sensors

Wireless open/closed sensors are available in four colors. See page 30 for details.

Storm/Insect Screen Combination Unit



A self-storing storm window combined with an insect screen provides greater energy efficiency, while allowing ventilation when needed. They can be easily installed on the exterior of most 400 Series full-frame double-hung windows.

Available in White, Sandtone and Terratone colors to match product exteriors. Canvas, Forest Green, Dark Bronze and Black available by special order.

Construction

Constructed with an aluminum frame, single-pane upper and lower glass panels and charcoal powder-coated aluminum screen mesh.

Energy Efficiency

Combination units can improve energy efficiency.

Sound Reduction

Combination units can improve Sound Transmission Class (STC) and Outdoor Indoor Transmission Class (OITC) ratings. Ideal for projects near airports, busy roadways or other noisy environments.

For example, adding a combination unit to a 400 Series tilt-wash double-hung (3862) unit with Low-E4® glass will improve its STC rating from 26 to 32. Contact your Andersen supplier for additional STC and OITC rating information.

NOTE: Do not add combination units to windows with Low-E4 Sun glass, unless window glass is tempered. Application of combination units may affect the performance of Low-E4 and Low-E4 SmartSun™ glass exterior coating. Combination units may also reduce the overall clear operable area of the window. See your local code official for egress requirements in your area.

Insect Screens

Insect Screen Frames



Choose full insect screen or half insect screen. Half insect screen (shown above) allows ventilation without affecting the view through the upper sash. Frames are available in colors to match product exteriors.

TruScene® Insect Screen

Exclusive Andersen® TruScene® insect screens provide over 50% more clarity than our conventional insect screens for a beautiful unobstructed view. They allow more fresh air and sunlight in, while doing a better job of keeping out small insects.

Conventional Insect Screen

Conventional insect screens have charcoal powder-coated aluminum screen mesh.

Grilles

Grilles are available in a variety of configurations and widths. For double-hung grille patterns, see page 74.

Exterior Trim

This product is available with Andersen® Exterior Trim. See pages 215-220 for details.

CAUTION:

- Painting and staining may cause damage to rigid vinyl.
- Do not paint 400 Series windows with White, Canvas, Sandtone, Forest Green, Dark Bronze or Black exterior colors.
- Andersen does not warrant the adhesion or performance of homeowner-applied paint over vinyl or other factory-coated surfaces.
- 400 Series windows in Terratone color may be painted any color lighter than Terratone color using quality oil-base or latex paint.
- For vinyl painting instructions and preparation, contact your Andersen supplier.
- Do not paint weatherstripping.
- Creosote-based stains should not come in contact with Andersen products.
- Abrasive cleaners or solutions containing corrosive solvents should not be used on Andersen products.

400 Series
Woodwright® Double-Hung
Full-Frame Windows

* Shown on 400 Series Tilt-Wash double-hung windows. Dimensions in parentheses are in millimeters.

WOODWRIGHT® DOUBLE-HUNG FULL-FRAME WINDOWS

Table of Woodwright® Double-Hung Window Sizes

Scale 1/8" (3) = 1'-0" (305) – 1:96

Window Dimension	1'-9 5/8" (549)	2'-1 5/8" (651)	2'-5 5/8" (752)	2'-7 5/8" (803)	2'-9 5/8" (854)	2'-11 5/8" (905)	3'-1 5/8" (956)	3'-5 5/8" (1057)	3'-9 5/8" (1159)
Minimum Rough Opening	1'-10 1/8" (562)	2'-2 1/8" (664)	2'-6 1/8" (765)	2'-8 1/8" (816)	2'-10 1/8" (867)	3'-0 1/8" (917)	3'-2 1/8" (968)	3'-6 1/8" (1070)	3'-10 1/8" (1172)
Unobstructed Glass (lower sash only)	15 5/8" (397)	19 5/8" (498)	23 5/8" (600)	25 5/8" (651)	27 5/8" (702)	29 5/8" (752)	31 5/8" (803)	35 5/8" (905)	39 5/8" (1006)

Notes on the next page also apply to this page.

2:3 cottage or 3:2 reverse cottage sash ratio available for all widths and heights. Size tables for windows with cottage or reverse cottage sash are now available on andersenwindow.com.

CUSTOM WIDTHS –
1'-4 1/2" (419) to 3'-9 5/8" (1159)

CUSTOM HEIGHTS –
3'-0 7/8" (937) to 6'-4 7/8" (1953)

		CUSTOM WIDTHS – 16 1/2" to 45 5/8"								
CUSTOM HEIGHTS – 32" to 76 7/8"	3'-0 7/8" (937)									
	3'-4 7/8" (1038)									
	3'-8 7/8" (1140)									
	4'-0 7/8" (1241)									
	4'-4 7/8" (1343)									
	4'-8 7/8" (1445)									
	5'-0 7/8" (1546)									
	5'-4 7/8" (1648)									
	5'-8 7/8" (1749)									
	6'-0 7/8" (1851)									
6'-4 7/8" (1953)										
		WDH18210	WDH20210	WDH24210	WDH26210	WDH28210	WDH210210	WDH30210	WDH34210	WDH38210
		WDH1832	WDH2032	WDH2432	WDH2632	WDH2832	WDH21032	WDH3032	WDH3432	WDH3832
		WDH1836	WDH2036	WDH2436	WDH2636	WDH2836	WDH21036	WDH3036	WDH3436	WDH3836
		WDH18310	WDH20310	WDH24310	WDH26310	WDH28310	WDH210310	WDH30310	WDH34310	WDH38310
		WDH1842	WDH2042	WDH2442	WDH2642	WDH2842	WDH21042	WDH3042	WDH3442	WDH3842
		WDH1846	WDH2046	WDH2446	WDH2646	WDH2846	WDH21046	WDH3046°	WDH3446°	WDH3846°
		WDH18410	WDH20410	WDH24410	WDH26410	WDH28410	WDH210410°	WDH30410°	WDH34410°	WDH38410°
		WDH1852	WDH2052	WDH2452	WDH2652	WDH2852°	WDH21052°	WDH3052°	WDH3452°	WDH3852°
		WDH1856	WDH2056	WDH2456	WDH2656°	WDH2856°	WDH21056°	WDH3056°	WDH3456°	WDH3856°
		WDH18510	WDH20510	WDH24510°	WDH26510°	WDH28510°	WDH210510°	WDH30510°	WDH34510°	WDH38510°
		WDH1862	WDH2062	WDH2462°	WDH2662°	WDH2862°	WDH21062°	WDH3062°	WDH3462°	WDH3862°

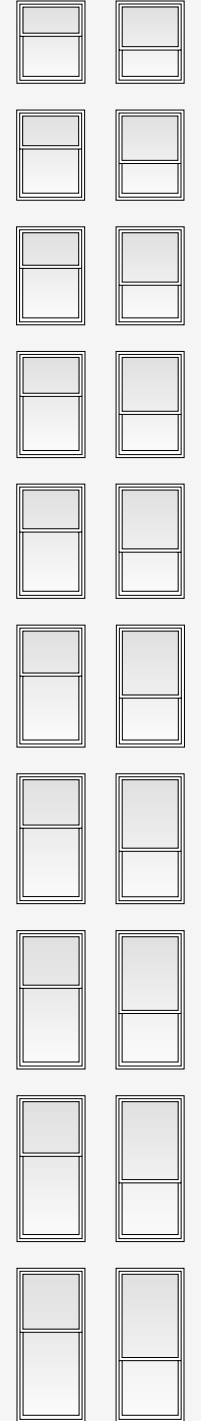
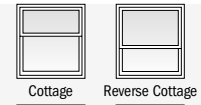


Table of Woodwright® Springline™ Single-Hung Window Sizes

Scale 1/8" (3) = 1'-0" (305) – 1:96

Window Dimension	2'-1 5/8" (651)	2'-5 5/8" (752)	2'-7 5/8" (803)	2'-9 5/8" (854)	2'-11 5/8" (905)	3'-1 5/8" (956)	3'-5 5/8" (1057)	3'-9 5/8" (1159)
Minimum Rough Opening	2'-2 1/8" (664)	2'-6 1/8" (765)	2'-8 1/8" (816)	2'-10 1/8" (867)	3'-0 1/8" (917)	3'-2 1/8" (968)	3'-6 1/8" (1070)	3'-10 1/8" (1172)
Unobstructed Glass (lower sash only)	19 5/8" (498)	23 5/8" (600)	25 5/8" (651)	27 5/8" (702)	29 5/8" (752)	31 5/8" (803)	35 5/8" (905)	39 5/8" (1006)

		CUSTOM WIDTHS – 25 5/8" to 45 5/8"							
		12 13/16" (325)	14 13/16" (376)	15 13/16" (402)	16 13/16" (427)	17 13/16" (452)	18 13/16" (478)	20 13/16" (529)	22 13/16" (579)
Unobstructed Glass (lower sash only)	Shoulder Height	Radius and Chord Height							
		12 13/16" (325)	14 13/16" (376)	15 13/16" (402)	16 13/16" (427)	17 13/16" (452)	18 13/16" (478)	20 13/16" (529)	22 13/16" (579)
CUSTOM HEIGHTS – 52 13/16" to 76 1/2"	21 3/8" (543)	4'-4 13/16" (1341) WS2042	4'-6 13/16" (1392) WS2442	4'-7 13/16" (1418) WS2642	4'-8 13/16" (1443) WS2842	4'-9 13/16" (1468) WS21042	4'-10 13/16" (1494) WS3042	5'-0 13/16" (1545) WS3442	5'-2 13/16" (1595) WS3842
	23 3/8" (594)	4'-7 13/16" (1418) WS2046	4'-9 13/16" (1468) WS2446	4'-10 13/16" (1494) WS2646	4'-11 13/16" (1519) WS2846	5'-0 13/16" (1545) WS21046	5'-1 13/16" (1570) WS3046	5'-3 13/16" (1621) WS3446	5'-5 13/16" (1672) WS3846
	25 3/8" (645)	4'-10 13/16" (1494) WS20410	5'-0 13/16" (1545) WS24410	5'-1 13/16" (1570) WS26410	5'-2 13/16" (1595) WS28410	5'-3 13/16" (1621) WS210410	5'-4 13/16" (1646) WS30410	5'-6 13/16" (1697) WS34410	5'-8 13/16" (1748) WS38410
	27 3/8" (695)	5'-1 13/16" (1570) WS2052	5'-3 13/16" (1621) WS2452	5'-4 13/16" (1646) WS2652	5'-5 13/16" (1672) WS2852	5'-6 13/16" (1697) WS21052	5'-7 13/16" (1722) WS3052	5'-9 13/16" (1773) WS3452	5'-11 13/16" (1824) WS3852
	29 3/8" (746)	5'-9 13/16" (1774) WS2056	5'-11 13/16" (1825) WS2456	6'-0 13/16" (1850) WS2656	6'-1 13/16" (1875) WS2856	6'-2 13/16" (1901) WS21056	6'-3 13/16" (1926) WS3056	6'-5 13/16" (1977) WS3456	6'-7 13/16" (2028) WS3856
	31 3/8" (797)	6'-1 13/16" (1859) WS20510	6'-3 13/16" (1910) WS24510	6'-4 3/16" (1935) WS26510	6'-5 3/16" (1961) WS28510	6'-6 3/16" (1986) WS210510	6'-7 3/16" (2011) WS30510	6'-9 3/16" (2062) WS34510	6'-11 3/16" (2113) WS38510
	33 3/8" (848)	6'-4 1/2" (1943) WS2062	6'-6 1/2" (1994) WS2462	6'-7 1/2" (2019) WS2662	6'-8 1/2" (2045) WS2862	6'-9 1/2" (2070) WS21062	6'-10 1/2" (2096) WS3062	7'-0 1/2" (2146) WS3462	7'-2 1/2" (2197) WS3862

Custom-size windows are available in 1/8" (3) increments. See page 77 for custom sizing.

Grille patterns shown on page 74.

Springline™ only: Minimum rough opening height is the same as the window dimension height. Upper sash does not operate and lower sash travel is limited by the radius of the upper sash. Contact your Andersen supplier for cottage and reverse cottage sash availability.

Side-by-side joining is not recommended.

Rectangular only: Size tables for windows with cottage or reverse cottage sash are now available on andersenwindows.com.

400 Series Woodwright® Double-Hung Full-Frame Windows

• "Window Dimension" always refers to outside frame to frame dimension.
 • "Minimum Rough Opening" dimensions may need to be increased to allow for use of building wraps, flashing, sill panning, brackets, fasteners or other items. See pages 288-289 for more details.
 • Dimensions in parentheses are in millimeters.
 ◊ Meet or exceed clear opening area of 5.7 sq. ft. or 0.53 m², clear opening width of 20" (508) and clear opening height of 24" (210). See tables on pages 69-71.

WOODWRIGHT® DOUBLE-HUNG FULL-FRAME WINDOWS

Table of Woodwright® Arch Double-Hung Window Sizes

Scale 1/8" (3) = 1'-0" (305) – 1:96

Notes on the next page also apply to this page.

Window Dimension	1'-9 5/8" (549)	2'-1 5/8" (651)	2'-5 5/8" (752)	2'-7 5/8" (803)	2'-9 5/8" (854)	2'-11 5/8" (905)	3'-1 5/8" (956)	3'-5 5/8" (1057)	3'-9 5/8" (1159)
Minimum Rough Opening	1'-10 1/8" (562)	2'-2 1/8" (664)	2'-6 1/8" (765)	2'-8 1/8" (816)	2'-10 1/8" (867)	3'-0 1/8" (917)	3'-2 1/8" (968)	3'-6 1/8" (1070)	3'-10 1/8" (1172)
Unobstructed Glass (lower sash only)	15 5/8" (397)	19 5/8" (498)	23 5/8" (600)	25 5/8" (651)	27 5/8" (702)	29 5/8" (752)	31 5/8" (803)	35 5/8" (905)	39 5/8" (1006)

Window Dimension	CUSTOM WIDTHS – 21 5/8" to 45 5/8"									
	Radius	21 5/8" (549)	25 5/8" (651)	29 5/8" (752)	31 5/8" (803)	33 5/8" (854)	35 5/8" (905)	37 5/8" (956)	41 5/8" (1057)	45 5/8" (1159)
Chord Height	2 15/16" (75)	3 7/16" (87)	4" (102)	4 1/4" (108)	4 1/2" (114)	4 13/16" (122)	5 1/16" (129)	5 9/16" (141)	6 1/8" (156)	
Shoulder Height	2'-9 15/16" (662)	2'-9 15/16" (662)	2'-9 15/16" (662)	2'-9 15/16" (662)	2'-9 15/16" (662)	2'-9 15/16" (662)	2'-9 15/16" (662)	2'-9 15/16" (662)	2'-9 15/16" (662)	2'-9 15/16" (662)
3'-0 7/8" (937)	WA18210									
3'-4 7/8" (1038)	WA1832	WA2032	WA2432	WA2632						
3'-8 7/8" (1140)	WA1836	WA2036	WA2436	WA2636	WA2836					
4'-0 7/8" (1241)	WA18310	WA20310	WA24310	WA26310	WA28310	WA210310	WA30310	WA34310		
4'-4 7/8" (1343)	WA1842	WA2042	WA2442	WA2642	WA2842	WA21042	WA3042	WA3442	WA3842	
4'-8 7/8" (1445)	WA1846	WA2046	WA2446	WA2646	WA2846	WA21046	WA3046	WA3446	WA3846	
5'-0 7/8" (1546)	WA18410	WA20410	WA24410	WA26410	WA28410	WA210410	WA30410	WA34410	WA38410	
5'-4 7/8" (1648)	WA1852	WA2052	WA2452	WA2652	WA2852	WA21052	WA3052	WA3452	WA3852	
5'-8 7/8" (1749)	WA1856	WA2056	WA2456	WA2656	WA2856	WA21056	WA3056	WA3456	WA3856	
6'-0 7/8" (1851)	WA18510	WA20510	WA24510	WA26510	WA28510	WA210510 ⁰	WA30510 ⁰	WA34510 ⁰	WA38510 ⁰	
6'-4 7/8" (1953)	WA1862	WA2062	WA2462	WA2662	WA2862 ⁰	WA21062 ⁰	WA3062 ⁰	WA3462 ⁰	WA3862 ⁰	

Side-by-side joining of arch windows is not recommended.

Table of Woodwright® Unequal Leg Arch Double-Hung Window Sizes

Scale 1/8" (3) = 1'-0" (305) – 1:96

Window Dimension	1'-9 5/8" (549)	2'-1 5/8" (651)	2'-5 5/8" (752)	2'-7 5/8" (803)	2'-9 5/8" (854)	2'-11 5/8" (905)	3'-1 5/8" (956)	3'-5 5/8" (1057)	3'-9 5/8" (1159)
Minimum Rough Opening	1'-10 1/8" (562)	2'-2 1/8" (664)	2'-6 1/8" (765)	2'-8 1/8" (816)	2'-10 1/8" (867)	3'-0 1/8" (917)	3'-2 1/8" (968)	3'-6 1/8" (1070)	3'-10 1/8" (1172)
Unobstructed Glass (lower sash only)	15 5/8" (397)	19 5/8" (498)	23 5/8" (600)	25 5/8" (651)	27 5/8" (702)	29 5/8" (752)	31 5/8" (803)	35 5/8" (905)	39 5/8" (1006)

CUSTOM WIDTHS – 21 5/8" to 45 5/8"									
Radius	45 5/8" (1159)	45 5/8" (1159)	45 5/8" (1159)	45 5/8" (1159)	45 5/8" (1159)	96" (2438)	96" (2438)	96" (2438)	96" (2438)
Chord Height	5 7/16" (138)	7 7/8" (200)	10 15/16" (279)	12 3/4" (324)	14 13/16" (376)	6 13/16" (173)	7 1/16" (195)	9 1/2" (241)	11 9/16" (294)

CUSTOM HEIGHTS – 44 7/8" to 76 7/8"									
Shoulder Height	3'-8 7/8" (1140)	3'-8 7/8" (1140)	3'-8 7/8" (1140)	3'-8 7/8" (1140)	3'-8 7/8" (1140)	3'-8 7/8" (1140)	3'-8 7/8" (1140)	3'-8 7/8" (1140)	3'-8 7/8" (1140)

Window Dimension	3'-8 7/8" (1140)	3'-8 7/8" (1140)	3'-8 7/8" (1140)	3'-8 7/8" (1140)	3'-8 7/8" (1140)	3'-8 7/8" (1140)	3'-8 7/8" (1140)	3'-8 7/8" (1140)	3'-8 7/8" (1140)
Minimum Rough Opening	3'-8 7/8" (1140)	3'-8 7/8" (1140)	3'-8 7/8" (1140)	3'-8 7/8" (1140)	3'-8 7/8" (1140)	3'-8 7/8" (1140)	3'-8 7/8" (1140)	3'-8 7/8" (1140)	3'-8 7/8" (1140)
Unobstructed Glass (lower sash only)	17 3/8" (441)	17 3/8" (441)	17 3/8" (441)	17 3/8" (441)	17 3/8" (441)	17 3/8" (441)	17 3/8" (441)	17 3/8" (441)	17 3/8" (441)

Window Dimension	4'-0 7/8" (1241)	4'-0 7/8" (1241)	4'-0 7/8" (1241)	4'-0 7/8" (1241)	4'-0 7/8" (1241)	4'-0 7/8" (1241)	4'-0 7/8" (1241)	4'-0 7/8" (1241)	4'-0 7/8" (1241)
Minimum Rough Opening	4'-0 7/8" (1241)	4'-0 7/8" (1241)	4'-0 7/8" (1241)	4'-0 7/8" (1241)	4'-0 7/8" (1241)	4'-0 7/8" (1241)	4'-0 7/8" (1241)	4'-0 7/8" (1241)	4'-0 7/8" (1241)
Unobstructed Glass (lower sash only)	19 3/8" (492)	19 3/8" (492)	19 3/8" (492)	19 3/8" (492)	19 3/8" (492)	19 3/8" (492)	19 3/8" (492)	19 3/8" (492)	19 3/8" (492)

Window Dimension	4'-4 7/8" (1343)	4'-4 7/8" (1343)	4'-4 7/8" (1343)	4'-4 7/8" (1343)	4'-4 7/8" (1343)	4'-4 7/8" (1343)	4'-4 7/8" (1343)	4'-4 7/8" (1343)	4'-4 7/8" (1343)
Minimum Rough Opening	4'-4 7/8" (1343)	4'-4 7/8" (1343)	4'-4 7/8" (1343)	4'-4 7/8" (1343)	4'-4 7/8" (1343)	4'-4 7/8" (1343)	4'-4 7/8" (1343)	4'-4 7/8" (1343)	4'-4 7/8" (1343)
Unobstructed Glass (lower sash only)	21 3/8" (543)	21 3/8" (543)	21 3/8" (543)	21 3/8" (543)	21 3/8" (543)	21 3/8" (543)	21 3/8" (543)	21 3/8" (543)	21 3/8" (543)

Window Dimension	4'-8 7/8" (1445)	4'-8 7/8" (1445)	4'-8 7/8" (1445)	4'-8 7/8" (1445)	4'-8 7/8" (1445)	4'-8 7/8" (1445)	4'-8 7/8" (1445)	4'-8 7/8" (1445)	4'-8 7/8" (1445)
Minimum Rough Opening	4'-8 7/8" (1445)	4'-8 7/8" (1445)	4'-8 7/8" (1445)	4'-8 7/8" (1445)	4'-8 7/8" (1445)	4'-8 7/8" (1445)	4'-8 7/8" (1445)	4'-8 7/8" (1445)	4'-8 7/8" (1445)
Unobstructed Glass (lower sash only)	23 3/8" (594)	23 3/8" (594)	23 3/8" (594)	23 3/8" (594)	23 3/8" (594)	23 3/8" (594)	23 3/8" (594)	23 3/8" (594)	23 3/8" (594)

Window Dimension	5'-0 7/8" (1546)	5'-0 7/8" (1546)	5'-0 7/8" (1546)	5'-0 7/8" (1546)	5'-0 7/8" (1546)	5'-0 7/8" (1546)	5'-0 7/8" (1546)	5'-0 7/8" (1546)	5'-0 7/8" (1546)
Minimum Rough Opening	5'-0 7/8" (1546)	5'-0 7/8" (1546)	5'-0 7/8" (1546)	5'-0 7/8" (1546)	5'-0 7/8" (1546)	5'-0 7/8" (1546)	5'-0 7/8" (1546)	5'-0 7/8" (1546)	5'-0 7/8" (1546)
Unobstructed Glass (lower sash only)	25 3/8" (645)	25 3/8" (645)	25 3/8" (645)	25 3/8" (645)	25 3/8" (645)	25 3/8" (645)	25 3/8" (645)	25 3/8" (645)	25 3/8" (645)

Window Dimension	5'-4 7/8" (1648)	5'-4 7/8" (1648)	5'-4 7/8" (1648)	5'-4 7/8" (1648)	5'-4 7/8" (1648)	5'-4 7/8" (1648)	5'-4 7/8" (1648)	5'-4 7/8" (1648)	5'-4 7/8" (1648)
Minimum Rough Opening	5'-4 7/8" (1648)	5'-4 7/8" (1648)	5'-4 7/8" (1648)	5'-4 7/8" (1648)	5'-4 7/8" (1648)	5'-4 7/8" (1648)	5'-4 7/8" (1648)	5'-4 7/8" (1648)	5'-4 7/8" (1648)
Unobstructed Glass (lower sash only)	27 3/8" (695)	27 3/8" (695)	27 3/8" (695)	27 3/8" (695)	27 3/8" (695)	27 3/8" (695)	27 3/8" (695)	27 3/8" (695)	27 3/8" (695)

Window Dimension	5'-8 7/8" (1749)	5'-8 7/8" (1749)	5'-8 7/8" (1749)	5'-8 7/8" (1749)	5'-8 7/8" (1749)	5'-8 7/8" (1749)	5'-8 7/8" (1749)	5'-8 7/8" (1749)	5'-8 7/8" (1749)
Minimum Rough Opening	5'-8 7/8" (1749)	5'-8 7/8" (1749)	5'-8 7/8" (1749)	5'-8 7/8" (1749)	5'-8 7/8" (1749)	5'-8 7/8" (1749)	5'-8 7/8" (1749)	5'-8 7/8" (1749)	5'-8 7/8" (1749)
Unobstructed Glass (lower sash only)	29 3/8" (746)	29 3/8" (746)	29 3/8" (746)	29 3/8" (746)	29 3/8" (746)	29 3/8" (746)	29 3/8" (746)	29 3/8" (746)	29 3/8" (746)

Window Dimension	6'-0 7/8" (1851)	6'-0 7/8" (1851)	6'-0 7/8" (1851)	6'-0 7/8" (1851)	6'-0 7/8" (1851)	6'-0 7/8" (1851)	6'-0 7/8" (1851)	6'-0 7/8" (1851)	6'-0 7/8" (1851)
Minimum Rough Opening	6'-0 7/8" (1851)	6'-0 7/8" (1851)	6'-0 7/8" (1851)	6'-0 7/8" (1851)	6'-0 7/8" (1851)	6'-0 7/8" (1851)	6'-0 7/8" (1851)	6'-0 7/8" (1851)	6'-0 7/8" (1851)
Unobstructed Glass (lower sash only)	31 3/8" (797)	31 3/8" (797)	31 3/8" (797)	31 3/8" (797)	31 3/8" (797)	31 3/8" (797)	31 3/8" (797)	31 3/8" (797)	31 3/8" (797)

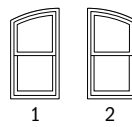
Window Dimension	6'-4 7/8" (1953)	6'-4 7/8" (1953)	6'-4 7/8" (1953)	6'-4 7/8" (1953)	6'-4 7/8" (1953)	6'-4 7/8" (1953)	6'-4 7/8" (1953)	6'-4 7/8" (1953)	6'-4 7/8" (1953)
Minimum Rough Opening	6'-4 7/8" (1953)	6'-4 7/8" (1953)	6'-4 7/8" (1953)	6'-4 7/8" (1953)	6'-4 7/8" (1953)	6'-4 7/8" (1953)	6'-4 7/8" (1953)	6'-4 7/8" (1953)	6'-4 7/8" (1953)
Unobstructed Glass (lower sash only)	33 3/8" (848)	33 3/8" (848)	33 3/8" (848)	33 3/8" (848)	33 3/8" (848)	33 3/8" (848)	33 3/8" (848)	33 3/8" (848)	33 3/8" (848)

Window Dimension	5'-11 7/16" (1815)	5'-9" (1753)	5'-5 15/16" (1675)	5'-4 1/8" (1629)	5'-2 1/16" (1576)	5'-10 1/16" (1475)	5'-6 1/16" (1678)	5'-10 1/16" (1779)	5'-9 3/16" (1757)	5'-7 3/8" (1711)	5'-5 5/16" (1659)
Minimum Rough Opening	5'-11 7/16" (1815)	5'-9" (1753)	5'-5 15/16" (1675)	5'-4 1/8" (1629)	5'-2 1/16" (1576)	5'-10 1/16" (1475)	5'-6 1/16" (1678)	5'-10 1/16" (1779)	5'-9 3/16" (1757)	5'-7 3/8" (1711)	5'-5 5/16" (1659)
Unobstructed Glass (lower sash only)	18 1/8" (460)	16 1/8" (413)	13 1/8" (335)	12 1/8" (310)	10 1/8" (257)	18 1/8" (460)	16 1/8" (413)	18 1/8" (460)	17 1/8" (430)	15 1/8" (387)	13 1/8" (335)

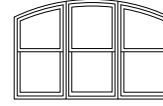


Custom-size windows are available in 1/8" (3) increments. See page 77 for custom sizing.

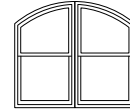
Lower sash travel is limited by the radius of the upper sash. Contact your Andersen supplier for cottage and reverse cottage sash availability.



Choose type 1 or 2 as viewed from the exterior.



Unequal leg arch and arch combination.



Joining long legs creates a smooth arc. **Joining short legs is not recommended.**

• "Window Dimension" always refers to outside frame to frame dimension.
 • "Minimum Rough Opening" dimensions may need to be increased to allow for use of building wraps, flashing, sill panning, brackets, fasteners or other items. See pages 288-289 for more details.
 • Dimensions in parentheses are in millimeters.
 ♦ Meet or exceed clear opening area of 5.7 sq. ft. or 0.53 m², clear opening width of 20" (508) and clear opening height of 24" (210). See tables on pages 71-72.

400 Series
Woodwright® Double-Hung
Full-Frame Windows

WOODWRIGHT® DOUBLE-HUNG FULL-FRAME WINDOWS

Table of Woodwright® Transom Window Sizes

Scale 1/8" (3) = 1'-0" (305) – 1:96

Window Dimension	1'-9 5/8" (549)	2'-1 5/8" (651)	2'-5 5/8" (752)	2'-7 5/8" (803)	2'-9 5/8" (854)	2'-11 5/8" (905)	3'-1 5/8" (956)	3'-5 5/8" (1057)	3'-9 5/8" (1159)	3'-11 5/16" (1202)
Minimum Rough Opening	1'-10 1/8" (562)	2'-2 1/8" (664)	2'-6 1/8" (765)	2'-8 1/8" (816)	2'-10 1/8" (867)	3'-0 1/8" (917)	3'-2 1/8" (968)	3'-6 1/8" (1070)	3'-10 1/8" (1172)	3'-11 7/8" (1215)
Unobstructed Glass	15 5/8" (397)	19 5/8" (498)	23 5/8" (600)	25 5/8" (651)	27 5/8" (702)	29 5/8" (752)	31 5/8" (803)	35 5/8" (905)	39 5/8" (1006)	41 1/4" (1048)

CUSTOM WIDTHS – 12" to 75 5/16"

<p>CUSTOM HEIGHTS – 12" to 39 5/16"</p> <p>1'-0" (305) 1'-0 1/2" (318) 1'-1 5/16" (359) 1'-1 7/8" (367) 1'-2 1/8" (391) 1'-2 5/8" (406) 1'-3 1/8" (421) 1'-3 7/8" (436) 1'-4 1/4" (451) 1'-4 7/8" (466) 1'-5 1/4" (481) 1'-5 7/8" (496) 1'-6 1/4" (511) 1'-6 7/8" (526) 1'-7 1/4" (541) 1'-7 7/8" (556) 1'-8 1/4" (571) 1'-8 7/8" (586) 1'-9 1/4" (601) 1'-9 7/8" (616) 1'-10 1/4" (631) 1'-10 7/8" (646) 1'-11 1/4" (661) 1'-11 7/8" (676) 1'-12 1/4" (691) 1'-12 7/8" (706) 1'-13 1/4" (721) 1'-13 7/8" (736) 1'-14 1/4" (751) 1'-14 7/8" (766) 1'-15 1/4" (781) 1'-15 7/8" (796) 1'-16 1/4" (811) 1'-16 7/8" (826) 1'-17 1/4" (841) 1'-17 7/8" (856) 1'-18 1/4" (871) 1'-18 7/8" (886) 1'-19 1/4" (901) 1'-19 7/8" (916) 1'-20 1/4" (931) 1'-20 7/8" (946) 1'-21 1/4" (961) 1'-21 7/8" (976) 1'-22 1/4" (991) 1'-22 7/8" (1006) 1'-23 1/4" (1021) 1'-23 7/8" (1036) 1'-24 1/4" (1051) 1'-24 7/8" (1066) 1'-25 1/4" (1081) 1'-25 7/8" (1096) 1'-26 1/4" (1111) 1'-26 7/8" (1126) 1'-27 1/4" (1141) 1'-27 7/8" (1156) 1'-28 1/4" (1171) 1'-28 7/8" (1186) 1'-29 1/4" (1201) 1'-29 7/8" (1216) 1'-30 1/4" (1231) 1'-30 7/8" (1246) 1'-31 1/4" (1261) 1'-31 7/8" (1276) 1'-32 1/4" (1291) 1'-32 7/8" (1306) 1'-33 1/4" (1321) 1'-33 7/8" (1336) 1'-34 1/4" (1351) 1'-34 7/8" (1366) 1'-35 1/4" (1381) 1'-35 7/8" (1396) 1'-36 1/4" (1411) 1'-36 7/8" (1426) 1'-37 1/4" (1441) 1'-37 7/8" (1456) 1'-38 1/4" (1471) 1'-38 7/8" (1486) 1'-39 1/4" (1501) 1'-39 7/8" (1516)</p>	12" (305) WTR1810	14" (354) WTR2010	16" (403) WTR2410	18" (452) WTR2610	20" (501) WTR2810	22" (550) WTR21010	24" (599) WTR3010	26" (648) WTR3410	28" (697) WTR3810	30" (746) WTR31010
	12" (305) WTR1815	14" (354) WTR2015	16" (403) WTR2415	18" (452) WTR2615	20" (501) WTR2815	22" (550) WTR21015	24" (599) WTR3015	26" (648) WTR3415	28" (697) WTR3815	30" (746) WTR31015
	12" (305) WTR1817	14" (354) WTR2017	16" (403) WTR2417	18" (452) WTR2617	20" (501) WTR2817	22" (550) WTR21017	24" (599) WTR3017	26" (648) WTR3417	28" (697) WTR3817	30" (746) WTR31017
	12" (305) WTR18111	14" (354) WTR20111	16" (403) WTR24111	18" (452) WTR26111	20" (501) WTR28111	22" (550) WTR210111	24" (599) WTR30111	26" (648) WTR34111	28" (697) WTR38111	30" (746) WTR310111
	12" (305) WTR1821	14" (354) WTR2021	16" (403) WTR2421	18" (452) WTR2621	20" (501) WTR2821	22" (550) WTR21021	24" (599) WTR3021	26" (648) WTR3421	28" (697) WTR3821	30" (746) WTR31021
	12" (305) WTR1823	14" (354) WTR2023	16" (403) WTR2423	18" (452) WTR2623	20" (501) WTR2823	22" (550) WTR21023	24" (599) WTR3023	26" (648) WTR3423	28" (697) WTR3823	30" (746) WTR31023
	12" (305) WTR1827	14" (354) WTR2027	16" (403) WTR2427	18" (452) WTR2627	20" (501) WTR2827	22" (550) WTR21027	24" (599) WTR3027	26" (648) WTR3427	28" (697) WTR3827	30" (746) WTR31027
	12" (305) WTR1831	14" (354) WTR2031	16" (403) WTR2431	18" (452) WTR2631	20" (501) WTR2831	22" (550) WTR21031	24" (599) WTR3031	26" (648) WTR3431	28" (697) WTR3831	30" (746) WTR31031

- "Window Dimension" always refers to outside frame to frame dimension.
- "Minimum Rough Opening" dimensions may need to be increased to allow for use of building wraps, flashing, sill panning, brackets, fasteners or other items. See pages 288-289 for more details.
- Dimensions in parentheses are in millimeters.

Woodwright® Transom Window Area Specifications

Window Number	Glass Area Sq. Ft./ (m ²)	Overall Window Area Sq. Ft./ (m ²)
WTR1810	0.74 (0.07)	1.80 (0.17)
WTR1815	1.53 (0.14)	2.90 (0.27)
WTR1817	1.75 (0.16)	3.20 (0.30)
WTR18111	2.18 (0.20)	3.80 (0.35)
WTR1821	2.40 (0.22)	4.10 (0.38)
WTR1823	2.62 (0.24)	4.40 (0.41)
WTR1827	3.05 (0.28)	5.00 (0.46)
WTR1831	3.70 (0.34)	5.90 (0.55)
WTR2010	0.93 (0.09)	2.14 (0.20)
WTR2015	1.93 (0.18)	3.44 (0.32)
WTR2017	2.20 (0.20)	3.79 (0.35)
WTR20111	2.74 (0.25)	4.50 (0.42)
WTR2021	3.02 (0.28)	4.86 (0.45)
WTR2023	3.29 (0.31)	5.22 (0.48)
WTR2027	3.83 (0.36)	5.93 (0.55)
WTR2031	4.65 (0.43)	7.00 (0.65)
WTR2410	1.12 (0.10)	2.47 (0.23)
WTR2415	2.32 (0.22)	3.97 (0.37)
WTR2417	2.65 (0.25)	4.38 (0.41)
WTR24111	3.30 (0.31)	5.21 (0.48)

Window Number	Glass Area Sq. Ft./ (m ²)	Overall Window Area Sq. Ft./ (m ²)
WTR2421	3.63 (0.34)	5.62 (0.52)
WTR2423	3.96 (0.37)	6.03 (0.56)
WTR2427	4.61 (0.43)	6.85 (0.64)
WTR2431	5.60 (0.52)	8.09 (0.75)
WTR2610	1.21 (0.11)	2.64 (0.24)
WTR2615	2.51 (0.23)	4.24 (0.39)
WTR2617	2.87 (0.27)	4.68 (0.43)
WTR26111	3.58 (0.33)	5.56 (0.52)
WTR2621	3.94 (0.37)	6.00 (0.56)
WTR2623	4.29 (0.40)	6.44 (0.60)
WTR2627	5.00 (0.46)	7.32 (0.68)
WTR2631	6.07 (0.56)	8.63 (0.80)
WTR2810	1.31 (0.12)	2.80 (0.26)
WTR2815	2.71 (0.25)	4.51 (0.42)
WTR2817	3.09 (0.29)	4.98 (0.46)
WTR28111	3.86 (0.36)	5.91 (0.55)
WTR2821	4.24 (0.39)	6.38 (0.59)
WTR2823	4.63 (0.43)	6.84 (0.64)
WTR2827	5.40 (0.50)	7.78 (0.72)
WTR2831	6.55 (0.61)	9.18 (0.85)

Window Number	Glass Area Sq. Ft./ (m ²)	Overall Window Area Sq. Ft./ (m ²)
WTR21010	1.40 (0.13)	2.97 (0.28)
WTR21015	2.91 (0.27)	4.78 (0.44)
WTR21017	3.32 (0.31)	5.27 (0.49)
WTR210111	4.14 (0.38)	6.26 (0.58)
WTR21021	4.55 (0.42)	6.76 (0.63)
WTR21023	4.96 (0.46)	7.25 (0.67)
WTR21027	5.79 (0.54)	8.24 (0.77)
WTR21031	7.02 (0.65)	9.73 (0.90)
WTR3010	1.50 (0.14)	3.14 (0.29)
WTR3015	3.10 (0.29)	5.05 (0.47)
WTR3017	3.54 (0.33)	5.57 (0.52)
WTR30111	4.42 (0.41)	6.61 (0.61)
WTR3021	4.86 (0.45)	7.14 (0.66)
WTR3023	5.30 (0.49)	7.66 (0.71)
WTR3027	6.18 (0.57)	8.70 (0.81)
WTR3031	7.49 (0.70)	10.27 (0.95)
WTR3410	1.69 (0.16)	3.47 (0.32)
WTR3415	3.49 (0.32)	5.58 (0.52)

- Dimensions in parentheses are in square meters.

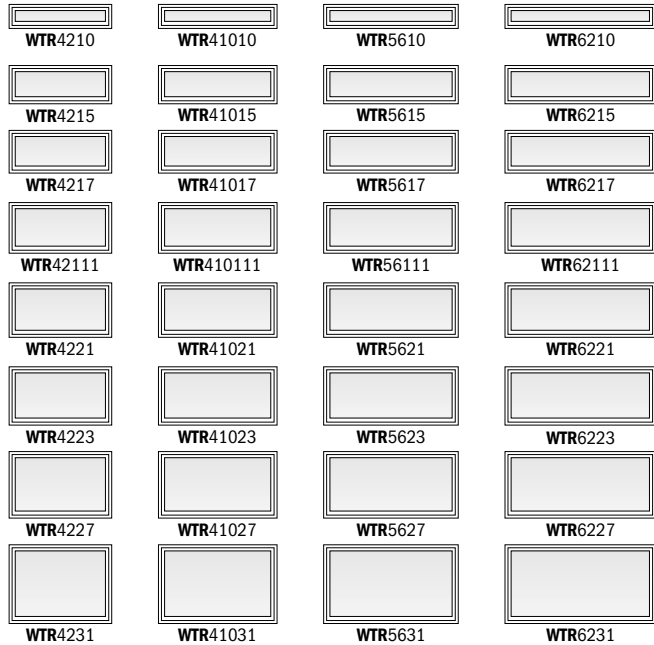
continued on next page

4'-3 5/16" (1303)	4'-11 5/16" (1506)	5'-7 5/16" (1710)	6'-3 5/16" (1913)
4'-3 7/8" (1317)	4'-11 7/8" (1520)	5'-7 7/8" (1724)	6'-3 7/8" (1927)
45 1/4" (1149)	53 1/4" (1353)	61 1/4" (1556)	69 1/4" (1745)



Custom-size windows are available in 1/8" (3) increments. See page 77 for custom sizing.

Grille patterns shown on page 74.



- "Window Dimension" always refers to outside frame to frame dimension.
- "Minimum Rough Opening" dimensions may need to be increased to allow for use of building wraps, flashing, sill panning, brackets, fasteners or other items. See pages 288-289 for more details.
- Dimensions in parentheses are in millimeters.

400 Series
Woodwright® Double-Hung
Full-Frame Windows

Woodwright® Transom Window Area Specifications *(continued)*

Window Number	Glass Area Sq. Ft./ (m ²)	Overall Window Area Sq. Ft./ (m ²)
WTR3417	3.99 (0.37)	6.16 (0.57)
WTR34111	4.98 (0.46)	7.32 (0.68)
WTR3421	5.47 (0.51)	7.90 (0.73)
WTR3423	5.97 (0.55)	8.47 (0.79)
WTR3427	6.96 (0.65)	9.63 (0.89)
WTR3431	8.44 (0.78)	11.36 (1.06)
WTR3810	1.87 (0.17)	3.80 (0.35)
WTR3815	3.89 (0.36)	6.12 (0.57)
WTR3817	4.44 (0.41)	6.75 (0.63)
WTR38111	5.54 (0.51)	8.02 (0.75)
WTR3821	6.09 (0.57)	8.65 (0.80)
WTR3823	6.64 (0.62)	9.29 (0.86)
WTR3827	7.74 (0.72)	10.55 (0.98)
WTR3831	9.39 (0.87)	12.46 (1.16)
WTR31010	1.95 (0.18)	3.94 (0.37)
WTR31015	4.05 (0.38)	6.35 (0.59)
WTR31017	4.63 (0.43)	7.00 (0.65)
WTR310111	5.77 (0.54)	8.32 (0.77)
WTR31021	6.35 (0.59)	8.97 (0.83)
WTR31023	6.92 (0.64)	9.63 (0.89)

Window Number	Glass Area Sq. Ft./ (m ²)	Overall Window Area Sq. Ft./ (m ²)
WTR31027	8.07 (0.75)	10.95 (1.02)
WTR31031	9.79 (0.91)	12.92 (1.20)
WTR4210	2.14 (0.20)	4.28 (0.40)
WTR4215	4.44 (0.41)	6.88 (0.64)
WTR4217	5.07 (0.47)	7.59 (0.71)
WTR42111	6.33 (0.59)	9.02 (0.84)
WTR4221	6.96 (0.65)	9.73 (0.90)
WTR4223	7.59 (0.71)	10.45 (0.97)
WTR4227	8.85 (0.82)	11.87 (1.10)
WTR4231	10.74 (1.00)	14.01 (1.30)
WTR41010	2.52 (0.23)	4.94 (0.46)
WTR41015	5.23 (0.49)	7.95 (0.74)
WTR41017	5.97 (0.55)	8.78 (0.82)
WTR410111	7.45 (0.69)	10.43 (0.97)
WTR41021	8.19 (0.76)	11.25 (1.05)
WTR41023	8.93 (0.83)	12.07 (1.12)
WTR41027	10.41 (0.97)	13.72 (1.27)
WTR41031	12.63 (1.17)	16.19 (1.50)
WTR5610	2.90 (0.27)	5.61 (0.52)
WTR5615	6.01 (0.56)	9.03 (0.84)

Window Number	Glass Area Sq. Ft./ (m ²)	Overall Window Area Sq. Ft./ (m ²)
WTR5617	6.87 (0.64)	9.96 (0.93)
WTR56111	8.57 (0.80)	11.83 (1.10)
WTR5621	9.42 (0.88)	12.77 (1.19)
WTR5623	10.27 (0.95)	13.70 (1.27)
WTR5627	11.98 (1.11)	15.57 (1.45)
WTR5631	14.53 (1.35)	18.38 (1.71)
WTR6210	3.28 (0.30)	6.28 (0.58)
WTR6215	6.80 (0.63)	10.10 (0.94)
WTR6217	7.76 (0.72)	11.15 (1.04)
WTR62111	9.69 (0.90)	13.24 (1.23)
WTR6221	10.65 (0.99)	14.28 (1.33)
WTR6223	11.61 (1.08)	15.33 (1.42)
WTR6227	13.54 (1.26)	17.42 (1.62)
WTR6231	16.43 (1.53)	20.56 (1.91)

• Dimensions in parentheses are in square meters.

WOODWRIGHT® DOUBLE-HUNG FULL-FRAME WINDOWS

Table of Woodwright® Picture Window Sizes

Scale 1/8" (3) = 1'-0" (305) – 1:96

Window Dimension	1'-0" (305)	3'-1 5/8" (956)	3'-5 5/8" (1057)	3'-11 5/16" (1202)	4'-3 5/16" (1303)	4'-11 5/16" (1507)	5'-7 5/16" (1710)
Minimum Rough Opening	1'-0 1/2" (318)	3'-2 1/8" (968)	3'-6 1/8" (1070)	3'-11 7/8" (1216)	4'-3 7/8" (1318)	4'-11 7/8" (1521)	5'-7 7/8" (1724)
Unobstructed Glass	6" (152)	31 5/8" (803)	35 5/8" (905)	41 1/4" (1048)	45 1/4" (1149)	53 1/4" (1353)	61 1/4" (1556)

	CUSTOM WIDTHS – 12" to 67 5/16"						
4'-0 7/8" (1241)							
4'-4 7/8" (1343)							
4'-8 7/8" (1445)							
5'-0 7/8" (1547)							
5'-4 7/8" (1648)							
5'-8 7/8" (1749)							
6'-0 7/8" (1851)							
6'-4 7/8" (1953)							



Custom-size windows are available in 1/8" (3) increments. See page 77 for custom sizing.

Grille patterns shown on page 74.

- "Window Dimension" always refers to outside frame to frame dimension.
- "Minimum Rough Opening" dimensions may need to be increased to allow for use of building wraps, flashing, sill panning, brackets, fasteners or other items. See pages 288-289 for more details.
- Dimensions in parentheses are in millimeters.

Woodwright® Double-Hung Window Opening and Area Specifications

Window Number	Clear Opening Area Sq. Ft./ (m ²)	Clear Opening in Full Open Position		Glass Area Sq. Ft./ (m ²)	Glass Vent Sq. Ft./ (m ²)	Top of Subfloor to Top of Inside Sill Stop Inches/(mm)	Overall Window Area Sq. Ft./ (m ²)
		Width Inches/(mm)	Height Inches/(mm)				
WDH18210	1.73 (0.16)	17 7/8" (454)	14 1/4" (362)	2.90 (0.27)	1.78 (0.17)	48 1/2" (1231)	5.53 (0.51)
WDH1832	1.98 (0.18)	17 7/8" (454)	16 1/4" (412)	3.32 (0.31)	2.03 (0.19)	44 1/2" (1130)	6.14 (0.57)
WDH1836	2.23 (0.21)	17 7/8" (454)	18 1/4" (463)	3.74 (0.35)	2.28 (0.21)	40 1/2" (1028)	6.74 (0.63)
WDH18310	2.48 (0.23)	17 7/8" (454)	20 1/4" (514)	4.15 (0.39)	2.53 (0.24)	36 1/2" (926)	7.34 (0.68)
WDH1842	2.73 (0.25)	17 7/8" (454)	22 1/4" (565)	4.57 (0.43)	2.78 (0.26)	32 1/2" (825)	7.94 (0.74)
WDH1846	2.90 (0.27)	17 7/8" (454)	24 1/4" (616)	4.98 (0.46)	3.02 (0.28)	28 1/2" (723)	8.54 (0.79)
WDH18410	3.22 (0.30)	17 7/8" (454)	26 1/4" (666)	5.40 (0.50)	3.27 (0.30)	24 1/2" (622)	9.14 (0.85)
WDH1852	3.47 (0.32)	17 7/8" (454)	28 1/4" (717)	5.81 (0.54)	3.52 (0.33)	20 1/2" (520)	9.74 (0.91)
WDH1856	3.72 (0.35)	17 7/8" (454)	30 1/4" (768)	6.23 (0.58)	3.02 (0.28)	16 1/2" (418)	10.34 (0.96)
WDH18510	3.97 (0.37)	17 7/8" (454)	32 1/4" (819)	6.65 (0.62)	4.02 (0.37)	12 1/2" (317)	10.94 (1.02)
WDH1862	4.22 (0.39)	17 7/8" (454)	34 1/4" (870)	7.06 (0.66)	4.26 (0.40)	8 1/2" (215)	11.54 (1.07)
WDH20210	2.12 (0.20)	21 7/8" (556)	14 1/4" (362)	3.68 (0.34)	2.18 (0.20)	48 1/2" (1231)	6.56 (0.61)
WDH2032	2.42 (0.23)	21 7/8" (556)	16 1/4" (412)	4.21 (0.39)	2.48 (0.23)	44 1/2" (1130)	7.27 (0.68)
WDH2036	2.73 (0.25)	21 7/8" (556)	18 1/4" (463)	4.73 (0.44)	2.79 (0.26)	40 1/2" (1028)	7.98 (0.74)
WDH20310	3.03 (0.28)	21 7/8" (556)	20 1/4" (514)	5.26 (0.49)	3.09 (0.29)	36 1/2" (926)	8.69 (0.81)
WDH2042	3.34 (0.31)	21 7/8" (556)	22 1/4" (565)	5.79 (0.54)	3.40 (0.32)	32 1/2" (825)	9.41 (0.87)
WDH2046	3.55 (0.33)	21 7/8" (556)	24 1/4" (616)	6.31 (0.59)	3.70 (0.34)	28 1/2" (723)	10.12 (0.94)
WDH20410	3.94 (0.37)	21 7/8" (556)	26 1/4" (666)	6.84 (0.64)	4.00 (0.37)	24 1/2" (622)	10.83 (1.01)
WDH2052	4.25 (0.39)	21 7/8" (556)	28 1/4" (717)	7.37 (0.69)	4.31 (0.40)	20 1/2" (520)	11.54 (1.07)
WDH2056	4.55 (0.42)	21 7/8" (556)	30 1/4" (768)	7.89 (0.73)	3.70 (0.34)	16 1/2" (418)	12.25 (1.14)
WDH20510	4.86 (0.45)	21 7/8" (556)	32 1/4" (819)	8.42 (0.78)	4.92 (0.46)	12 1/2" (317)	12.96 (1.20)
WDH2062	5.16 (0.48)	21 7/8" (556)	34 1/4" (870)	8.95 (0.83)	5.22 (0.49)	8 1/2" (215)	13.68 (1.27)
WDH24210	2.51 (0.23)	25 7/8" (657)	14 1/4" (362)	4.46 (0.41)	2.58 (0.24)	48 1/2" (1231)	7.58 (0.70)
WDH2432	2.86 (0.27)	25 7/8" (657)	16 1/4" (412)	5.09 (0.47)	2.94 (0.27)	44 1/2" (1130)	8.40 (0.78)
WDH2436	3.22 (0.30)	25 7/8" (657)	18 1/4" (463)	5.73 (0.53)	3.30 (0.31)	40 1/2" (1028)	9.23 (0.86)
WDH24310	3.59 (0.33)	25 7/8" (657)	20 1/4" (514)	6.37 (0.59)	3.66 (0.34)	36 1/2" (926)	10.05 (0.93)
WDH2442	3.95 (0.37)	25 7/8" (657)	22 1/4" (565)	7.01 (0.65)	4.02 (0.37)	32 1/2" (825)	10.87 (1.01)
WDH2446	4.19 (0.39)	25 7/8" (657)	24 1/4" (616)	7.65 (0.71)	4.38 (0.41)	28 1/2" (724)	11.70 (1.09)
WDH24410	4.66 (0.43)	25 7/8" (657)	26 1/4" (666)	8.28 (0.77)	4.74 (0.44)	24 1/2" (622)	12.52 (1.16)
WDH2452	5.02 (0.47)	25 7/8" (657)	28 1/4" (717)	8.92 (0.83)	5.10 (0.47)	20 1/2" (520)	13.34 (1.24)
WDH2456	5.38 (0.50)	25 7/8" (657)	30 1/4" (768)	9.56 (0.89)	4.38 (0.41)	16 1/2" (418)	14.17 (1.32)
WDH24510	5.74 (0.53)	25 7/8" (657)	32 1/4" (819)	10.20 (0.95)	5.81 (0.54)	12 1/2" (317)	14.99 (1.39)
WDH2462	6.10 (0.57)	25 7/8" (657)	34 1/4" (870)	10.84 (1.01)	6.17 (0.57)	8 1/2" (215)	15.81 (1.47)
WDH26210	2.71 (0.25)	27 7/8" (708)	14 1/4" (362)	4.84 (0.45)	2.78 (0.26)	48 1/2" (1231)	8.09 (0.75)
WDH2632	3.09 (0.29)	27 7/8" (708)	16 1/4" (412)	5.54 (0.52)	3.17 (0.30)	44 1/2" (1130)	8.97 (0.83)
WDH2636	3.48 (0.32)	27 7/8" (708)	18 1/4" (463)	6.23 (0.58)	3.55 (0.33)	40 1/2" (1028)	9.85 (0.92)
WDH26310	3.86 (0.36)	27 7/8" (708)	20 1/4" (514)	6.92 (0.64)	3.94 (0.37)	36 1/2" (926)	10.73 (1.00)
WDH2642	4.25 (0.40)	27 7/8" (708)	22 1/4" (565)	7.62 (0.71)	4.33 (0.40)	32 1/2" (825)	11.61 (1.08)
WDH2646	4.52 (0.42)	27 7/8" (708)	24 1/4" (616)	8.31 (0.77)	4.71 (0.44)	28 1/2" (723)	12.49 (1.16)
WDH26410	5.02 (0.47)	27 7/8" (708)	26 1/4" (666)	9.01 (0.84)	5.10 (0.47)	24 1/2" (622)	13.36 (1.24)
WDH2652	5.41 (0.50)	27 7/8" (708)	28 1/4" (717)	9.70 (0.90)	5.49 (0.51)	20 1/2" (520)	14.24 (1.32)
WDH2656	5.80 (0.54)	27 7/8" (708)	30 1/4" (768)	10.39 (0.96)	4.71 (0.44)	16 1/2" (418)	15.12 (1.41)
WDH26510	6.19 (0.57)	27 7/8" (708)	32 1/4" (819)	11.09 (1.03)	6.26 (0.58)	12 1/2" (317)	16.00 (1.49)
WDH2662	6.58 (0.61)	27 7/8" (708)	34 1/4" (870)	11.78 (1.09)	6.65 (0.62)	8 1/2" (215)	16.88 (1.57)
WDH28210	2.90 (0.27)	29 7/8" (759)	14 1/4" (362)	5.23 (0.49)	2.98 (0.28)	48 1/2" (1231)	8.61 (0.80)
WDH2832	3.31 (0.31)	29 7/8" (759)	16 1/4" (412)	5.98 (0.56)	3.39 (0.32)	44 1/2" (1130)	9.54 (0.89)
WDH2836	3.73 (0.35)	29 7/8" (759)	18 1/4" (463)	6.73 (0.63)	3.81 (0.35)	40 1/2" (1028)	10.47 (0.97)
WDH28310	4.14 (0.38)	29 7/8" (759)	20 1/4" (514)	7.48 (0.70)	4.22 (0.39)	36 1/2" (926)	11.41 (1.06)
WDH2842	4.56 (0.42)	29 7/8" (759)	22 1/4" (565)	8.23 (0.77)	4.64 (0.43)	32 1/2" (825)	12.34 (1.15)
WDH2846	4.85 (0.45)	29 7/8" (759)	24 1/4" (616)	8.98 (0.83)	5.05 (0.47)	28 1/2" (723)	13.28 (1.23)
WDH28410	5.38 (0.50)	29 7/8" (759)	26 1/4" (666)	9.73 (0.90)	5.47 (0.51)	24 1/2" (622)	14.21 (1.32)
WDH2852	5.80 (0.54)	29 7/8" (759)	28 1/4" (717)	10.48 (0.97)	5.88 (0.55)	20 1/2" (520)	15.14 (1.41)
WDH2856	6.22 (0.58)	29 7/8" (759)	30 1/4" (768)	11.22 (1.04)	5.05 (0.47)	16 1/2" (418)	16.08 (1.49)
WDH28510	6.63 (0.62)	29 7/8" (759)	32 1/4" (819)	11.97 (1.11)	6.71 (0.62)	12 1/2" (317)	17.01 (1.58)
WDH2862	7.05 (0.66)	29 7/8" (759)	34 1/4" (870)	12.72 (1.18)	7.13 (0.66)	8 1/2" (215)	17.95 (1.67)
WDH210210	3.09 (0.29)	31 7/8" (809)	14 1/4" (362)	5.62 (0.52)	3.18 (0.30)	48 1/2" (1231)	9.12 (0.85)
WDH21032	3.53 (0.33)	31 7/8" (809)	16 1/4" (412)	6.42 (0.60)	3.62 (0.34)	44 1/2" (1130)	10.11 (0.94)
WDH21036	3.97 (0.37)	31 7/8" (809)	18 1/4" (463)	7.23 (0.67)	4.06 (0.38)	40 1/2" (1028)	11.10 (1.03)
WDH210310	4.42 (0.41)	31 7/8" (809)	20 1/4" (514)	8.03 (0.75)	4.51 (0.42)	36 1/2" (926)	12.09 (1.12)
WDH21042	4.86 (0.45)	31 7/8" (809)	22 1/4" (565)	8.84 (0.82)	4.95 (0.46)	32 1/2" (825)	13.08 (1.22)
WDH21046	5.17 (0.48)	31 7/8" (809)	24 1/4" (616)	9.64 (0.90)	5.39 (0.50)	28 1/2" (723)	14.07 (1.31)

For cottage and reverse cottage sash opening specifications visit andersenwindows.com/openingspecs.

400 Series Woodwright® Double-Hung Full-Frame Windows

• "Top of Subfloor to Top of Inside Sill Stop" is calculated based upon a structural header height of 6'-10 1/2" (2096).
 • Dimensions in parentheses are in millimeters or square meters.
 ♦ Meet or exceed clear opening area of 5.7 sq. ft. or 0.53 m²; clear opening width of 20" (508) and clear opening height of 24" (610).

continued on next page

WOODWRIGHT® DOUBLE-HUNG FULL-FRAME WINDOWS

Woodwright® Double-Hung Window Opening and Area Specifications *(continued)*

Window Number	Clear Opening Area Sq. Ft./ (m ²)	Clear Opening in Full Open Position		Glass Area Sq. Ft./ (m ²)	Glass Vent Sq. Ft./ (m ²)	Top of Subfloor to Top of Inside Sill Stop Inches/(mm)	Overall Window Area Sq. Ft./ (m ²)
		Width Inches/(mm)	Height Inches/(mm)				
WDH210410 ◊	5.74 (0.53)	31 7/8" (809)	26 1/4" (666)	10.45 (0.97)	5.83 (0.54)	24 1/2" (622)	15.05 (1.40)
WDH21052 ◊	6.18 (0.57)	31 1/8" (809)	28 1/4" (717)	11.25 (1.05)	6.28 (0.58)	20 1/2" (520)	16.04 (1.49)
WDH21056 ◊	6.63 (0.62)	31 7/8" (809)	30 1/4" (768)	12.06 (1.12)	5.39 (0.50)	16 1/2" (418)	17.03 (1.59)
WDH210510 ◊	7.07 (0.66)	31 7/8" (809)	34 1/4" (819)	12.86 (1.20)	7.16 (0.67)	12 1/2" (317)	18.02 (1.67)
WDH21062 ◊	7.52 (0.70)	31 7/8" (809)	34 1/4" (870)	13.67 (1.27)	7.60 (0.71)	8 1/2" (215)	19.01 (1.77)
WDH30210	3.29 (0.31)	33 7/8" (860)	14 1/4" (362)	6.01 (0.56)	3.38 (0.31)	48 1/2" (1231)	9.63 (0.90)
WDH3032	3.75 (0.35)	33 7/8" (860)	16 1/4" (412)	6.87 (0.64)	3.85 (0.36)	44 1/2" (1130)	10.67 (0.99)
WDH3036	4.22 (0.39)	33 7/8" (860)	18 1/4" (463)	7.73 (0.72)	4.32 (0.40)	40 1/2" (1028)	11.72 (1.09)
WDH30310	4.69 (0.44)	33 7/8" (860)	20 1/4" (514)	8.59 (0.80)	4.79 (0.45)	36 1/2" (926)	12.76 (1.19)
WDH3042	5.17 (0.48)	33 7/8" (860)	22 1/4" (565)	9.45 (0.88)	5.26 (0.49)	32 1/2" (825)	13.81 (1.28)
WDH3046 ◊	5.49 (0.51)	33 7/8" (860)	24 1/4" (616)	10.31 (0.96)	5.73 (0.53)	28 1/2" (723)	14.85 (1.38)
WDH30410 ◊	6.10 (0.57)	33 7/8" (860)	26 1/4" (666)	11.17 (1.04)	6.20 (0.58)	24 1/2" (622)	15.90 (1.48)
WDH3052 ◊	6.57 (0.61)	33 7/8" (860)	28 1/4" (717)	12.03 (1.12)	6.67 (0.62)	20 1/2" (520)	16.95 (1.58)
WDH3056 ◊	7.04 (0.65)	33 7/8" (860)	30 1/4" (768)	12.89 (1.20)	5.73 (0.53)	16 1/2" (418)	17.99 (1.67)
WDH30510 ◊	7.52 (0.70)	33 7/8" (860)	32 1/4" (819)	13.75 (1.28)	7.61 (0.71)	12 1/2" (317)	19.04 (1.77)
WDH3062 ◊	7.99 (0.74)	33 7/8" (860)	34 1/4" (870)	14.61 (1.36)	8.08 (0.75)	8 1/2" (215)	20.08 (1.87)
WDH34210	3.68 (0.34)	37 7/8" (962)	14 1/4" (362)	6.79 (0.63)	3.78 (0.35)	48 1/2" (1231)	10.65 (0.99)
WDH3432	4.19 (0.39)	37 7/8" (962)	16 1/4" (412)	7.76 (0.72)	4.30 (0.40)	44 1/2" (1130)	11.81 (1.10)
WDH3436	4.72 (0.44)	37 7/8" (962)	18 1/4" (463)	8.73 (0.81)	4.83 (0.45)	40 1/2" (1028)	12.97 (1.21)
WDH34310	5.25 (0.49)	37 7/8" (962)	20 1/4" (514)	9.70 (0.90)	5.35 (0.50)	36 1/2" (926)	14.12 (1.31)
WDH3442	5.78 (0.54)	37 7/8" (962)	22 1/4" (565)	10.67 (0.99)	5.88 (0.55)	32 1/2" (825)	15.28 (1.42)
WDH3446 ◊	6.14 (0.57)	37 7/8" (962)	24 1/4" (616)	11.64 (1.08)	6.41 (0.60)	28 1/2" (723)	16.43 (1.53)
WDH34410 ◊	6.82 (0.63)	37 7/8" (962)	26 1/4" (666)	12.61 (1.17)	6.93 (0.64)	24 1/2" (622)	17.59 (1.63)
WDH3452 ◊	7.35 (0.68)	37 7/8" (962)	28 1/4" (717)	13.58 (1.26)	7.46 (0.69)	20 1/2" (520)	18.75 (1.74)
WDH3456 ◊	7.88 (0.73)	37 7/8" (962)	30 1/4" (768)	14.55 (1.35)	6.41 (0.60)	16 1/2" (418)	19.90 (1.85)
WDH34510 ◊	8.41 (0.78)	37 7/8" (962)	32 1/4" (819)	15.53 (1.44)	8.51 (0.79)	12 1/2" (317)	21.06 (1.96)
WDH3462 ◊	8.94 (0.83)	37 7/8" (962)	34 1/4" (870)	16.50 (1.53)	9.04 (0.84)	8 1/2" (215)	22.22 (2.06)
WDH38210	4.07 (0.38)	41 7/8" (1064)	14 1/4" (362)	7.56 (0.70)	4.17 (0.39)	48 1/2" (1231)	11.68 (1.09)
WDH3832	4.64 (0.43)	41 7/8" (1064)	16 1/4" (412)	8.64 (0.80)	4.76 (0.44)	44 1/2" (1130)	12.94 (1.20)
WDH3836	5.22 (0.49)	41 7/8" (1064)	18 1/4" (463)	9.72 (0.90)	5.34 (0.50)	40 1/2" (1028)	14.21 (1.32)
WDH38310	5.81 (0.54)	41 7/8" (1064)	20 1/4" (514)	10.81 (1.00)	5.92 (0.55)	36 1/2" (926)	15.48 (1.44)
WDH3842	6.39 (0.59)	41 7/8" (1064)	22 1/4" (565)	11.89 (1.11)	6.50 (0.60)	32 1/2" (825)	16.75 (1.56)
WDH3846 ◊	6.79 (0.63)	41 7/8" (1064)	24 1/4" (616)	12.97 (1.21)	7.08 (0.66)	28 1/2" (723)	18.01 (1.67)
WDH38410 ◊	7.55 (0.70)	41 7/8" (1064)	26 1/4" (666)	14.05 (1.31)	7.66 (0.71)	24 1/2" (622)	19.28 (1.79)
WDH3852 ◊	8.13 (0.76)	41 7/8" (1064)	28 1/4" (717)	15.14 (1.41)	8.25 (0.77)	20 1/2" (520)	20.55 (1.91)
WDH3856 ◊	8.72 (0.81)	41 7/8" (1064)	30 1/4" (768)	16.22 (1.51)	7.08 (0.66)	16 1/2" (418)	21.62 (2.01)
WDH38510 ◊	9.30 (0.86)	41 7/8" (1064)	32 1/4" (819)	17.30 (1.61)	9.41 (0.87)	12 1/2" (317)	23.08 (2.14)
WDH3862 ◊	9.88 (0.92)	41 7/8" (1064)	34 1/4" (870)	18.38 (1.71)	9.99 (0.93)	8 1/2" (215)	24.35 (2.26)

For cottage and reverse cottage sash

opening specifications visit

andersenwindows.com/openingspecs.

Woodwright® Springline™ Single-Hung Window Opening and Area Specifications

Window Number	Clear Opening Area Sq. Ft./ (m ²)	Clear Opening in Full Open Position		Glass Area Sq. Ft./ (m ²)	Vent Area Sq. Ft./ (m ²)	Top of Subfloor to Top of Inside Sill Stop Inches/(mm)	Overall Window Area Sq. Ft./ (m ²)
		Width Inches/(mm)	Height Inches/(mm)				
WS2042	1.39 (0.13)	21 7/8" (556)	9 3/16" (231)	5.48 (0.51)	1.39 (0.13)	32 9/16" (828)	8.90 (0.83)
WS2046	1.54 (0.14)	21 7/8" (556)	10 2/16" (257)	5.88 (0.55)	1.54 (0.14)	29 9/16" (751)	9.44 (0.88)
WS20410	1.69 (0.16)	21 7/8" (556)	11 2/16" (282)	6.29 (0.59)	1.69 (0.16)	26 9/16" (675)	9.97 (0.93)
WS2052	1.84 (0.17)	21 7/8" (556)	12 2/16" (308)	6.70 (0.62)	1.84 (0.17)	23 9/16" (599)	10.51 (0.98)
WS2056	2.76 (0.26)	21 7/8" (556)	18 2/16" (461)	7.80 (0.72)	2.76 (0.26)	15 9/16" (395)	11.94 (1.11)
WS20510	2.96 (0.28)	21 7/8" (556)	19 1/2" (495)	8.25 (0.77)	2.96 (0.28)	12 9/16" (310)	12.53 (1.16)
WS2062	3.16 (0.29)	21 7/8" (556)	20 13/16" (529)	8.71 (0.81)	3.16 (0.29)	8 7/8" (226)	13.12 (1.22)
WS2442	1.64 (0.15)	25 7/8" (658)	9 2/16" (231)	6.85 (0.64)	1.64 (0.15)	30 9/16" (777)	10.62 (0.99)
WS2446	1.82 (0.17)	25 7/8" (658)	10 2/16" (257)	7.34 (0.68)	1.82 (0.17)	27 9/16" (701)	11.23 (1.04)
WS24410	2.00 (0.19)	25 7/8" (658)	11 2/16" (282)	7.83 (0.73)	2.00 (0.19)	24 9/16" (624)	11.85 (1.10)
WS2452	2.18 (0.20)	25 7/8" (658)	12 2/16" (308)	8.33 (0.77)	2.18 (0.20)	21 9/16" (548)	12.47 (1.16)
WS2456	3.26 (0.30)	25 7/8" (658)	18 2/16" (461)	9.65 (0.90)	3.26 (0.30)	13 9/16" (344)	14.12 (1.31)
WS24510	3.50 (0.33)	25 7/8" (658)	19 1/2" (495)	10.19 (0.95)	3.50 (0.33)	10 3/16" (259)	14.81 (1.38)
WS2462	3.74 (0.35)	25 7/8" (658)	20 13/16" (529)	10.74 (1.00)	3.74 (0.35)	6 7/8" (175)	15.49 (1.44)
WS2642	1.76 (0.16)	27 7/8" (708)	9 1/8" (231)	7.57 (0.70)	1.76 (0.16)	29 9/16" (751)	11.51 (1.07)
WS2646	1.96 (0.18)	27 7/8" (708)	10 1/8" (257)	8.10 (0.75)	1.96 (0.18)	26 9/16" (675)	12.17 (1.13)
WS26410	2.15 (0.20)	27 7/8" (708)	11 1/8" (282)	8.64 (0.80)	2.15 (0.20)	23 9/16" (599)	12.82 (1.19)
WS2652	2.35 (0.22)	27 7/8" (708)	12 1/8" (308)	9.17 (0.85)	2.35 (0.22)	20 9/16" (523)	13.48 (1.25)
WS2656	3.52 (0.33)	27 7/8" (708)	18 1/8" (461)	10.60 (0.99)	3.52 (0.33)	12 9/16" (319)	15.25 (1.42)

*Top of Subfloor to Top of Inside Sill Stop" is calculated based upon a structural header height of 6'-10 1/2" (2096).

• Dimensions in parentheses are in millimeters or square meters.

◊ Meet or exceed clear opening area of 5.7 sq. ft. or 0.53 m², clear opening width of 20" (508) and clear opening height of 24" (610).

continued on next page

Woodwright® Springline™ Single-Hung Window Opening and Area Specifications *(continued)*

Window Number	Clear Opening Area Sq. Ft./ (m ²)	Clear Opening in Full Open Position		Glass Area Sq. Ft./ (m ²)	Vent Area Sq. Ft./ (m ²)	Top of Subfloor to Top of Inside Sill Stop Inches/(mm)	Overall Window Area Sq. Ft./ (m ²)
		Width Inches/(mm)	Height Inches/(mm)				
WS26510	3.77 (0.35)	27 1/8" (708)	19 1/2" (495)	11.19 (1.04)	3.77 (0.35)	9 3/16" (234)	15.98 (1.49)
WS2662	4.03 (0.38)	27 1/8" (708)	20 13/16" (529)	11.79 (1.10)	4.03 (0.38)	5 7/8" (149)	16.71 (1.55)
WS2842	1.89 (0.18)	29 1/8" (759)	9 1/8" (231)	8.31 (0.77)	1.89 (0.18)	28 9/16" (726)	12.42 (1.15)
WS2846	2.10 (0.20)	29 1/8" (759)	10 1/8" (257)	8.89 (0.83)	2.10 (0.20)	25 9/16" (650)	13.12 (1.22)
WS28410	2.31 (0.21)	29 1/8" (759)	11 1/8" (282)	9.46 (0.88)	2.31 (0.21)	22 9/16" (574)	13.82 (1.28)
WS2852	2.51 (0.23)	29 1/8" (759)	12 1/8" (308)	10.04 (0.93)	2.51 (0.23)	19 9/16" (497)	14.52 (1.35)
WS2856	3.77 (0.35)	29 1/8" (759)	18 1/8" (461)	11.58 (1.08)	3.77 (0.35)	11 9/16" (293)	16.40 (1.52)
WS28510	4.04 (0.38)	29 1/8" (759)	19 1/8" (495)	12.22 (1.14)	4.04 (0.38)	8 3/16" (209)	17.18 (1.60)
WS2862	4.32 (0.40)	29 1/8" (759)	20 13/16" (529)	12.86 (1.20)	4.32 (0.40)	4 7/8" (124)	17.95 (1.67)
WS21042	2.02 (0.19)	31 1/8" (810)	9 1/8" (231)	9.07 (0.84)	2.02 (0.19)	27 9/16" (701)	13.35 (1.24)
WS21046	2.24 (0.21)	31 1/8" (810)	10 1/8" (257)	9.69 (0.90)	2.24 (0.21)	24 9/16" (624)	14.09 (1.31)
WS210410	2.46 (0.23)	31 1/8" (810)	11 1/8" (282)	10.31 (0.96)	2.46 (0.23)	21 9/16" (548)	14.84 (1.38)
WS21052	2.68 (0.25)	31 1/8" (810)	12 1/8" (308)	10.93 (1.02)	2.68 (0.25)	18 9/16" (472)	15.58 (1.45)
WS21056	4.02 (0.37)	31 1/8" (810)	18 1/8" (461)	12.58 (1.17)	4.02 (0.37)	10 9/16" (268)	17.57 (1.63)
WS210510	4.32 (0.40)	31 1/8" (810)	19 1/2" (495)	13.27 (1.23)	4.32 (0.40)	7 3/16" (183)	18.39 (1.71)
WS21062	4.61 (0.43)	31 1/8" (810)	20 13/16" (529)	13.95 (1.30)	4.61 (0.43)	3 7/8" (99)	19.22 (1.79)
WS3042	2.14 (0.20)	33 1/8" (861)	9 1/8" (231)	9.86 (0.92)	2.14 (0.20)	26 9/16" (675)	14.31 (1.33)
WS3046	2.38 (0.22)	33 1/8" (861)	10 1/8" (257)	10.52 (1.00)	2.38 (0.22)	23 9/16" (599)	15.09 (1.40)
WS30410	2.62 (0.24)	33 1/8" (861)	11 1/8" (282)	11.18 (1.04)	2.62 (0.24)	20 9/16" (523)	15.87 (1.48)
WS3052	2.85 (0.27)	33 1/8" (861)	12 1/8" (308)	11.84 (1.10)	2.85 (0.27)	17 9/16" (447)	16.66 (1.55)
WS3056	4.27 (0.40)	33 1/8" (861)	18 1/8" (461)	13.60 (1.26)	4.27 (0.40)	9 9/16" (242)	18.76 (1.74)
WS30510	4.59 (0.43)	33 1/8" (861)	19 1/2" (495)	14.33 (1.33)	4.59 (0.43)	6 3/16" (158)	19.63 (1.82)
WS3062	4.90 (0.46)	33 1/8" (861)	20 13/16" (529)	15.07 (1.40)	4.90 (0.46)	2 7/8" (73)	20.50 (1.90)
WS3442	2.40 (0.22)	37 1/8" (962)	9 1/8" (231)	11.50 (1.07)	2.40 (0.22)	24 9/16" (624)	16.28 (1.51)
WS3446	2.66 (0.25)	37 1/8" (962)	10 1/8" (257)	12.24 (1.14)	2.66 (0.25)	21 9/16" (548)	17.15 (1.59)
WS34410	2.92 (0.27)	37 1/8" (962)	11 1/8" (282)	12.98 (1.21)	2.92 (0.27)	18 9/16" (472)	18.02 (1.67)
WS3452	3.19 (0.30)	37 1/8" (962)	12 1/8" (308)	13.72 (1.28)	3.19 (0.30)	15 9/16" (396)	18.88 (1.75)
WS3456	4.78 (0.44)	37 1/8" (962)	18 1/8" (461)	15.71 (1.46)	4.78 (0.44)	7 9/16" (192)	21.21 (1.97)
WS34510	5.13 (0.48)	37 1/8" (962)	19 1/2" (495)	16.54 (1.54)	5.13 (0.48)	4 3/16" (107)	22.17 (2.06)
WS3462	5.48 (0.51)	37 1/8" (962)	20 13/16" (529)	17.36 (1.61)	5.48 (0.51)	7/8" (22)	23.13 (2.15)
WS3842	2.65 (0.25)	41 1/8" (1064)	9 1/8" (231)	13.22 (1.23)	2.65 (0.25)	22 9/16" (574)	18.34 (1.70)
WS3846	2.94 (0.27)	41 1/8" (1064)	10 1/8" (257)	14.04 (1.31)	2.94 (0.27)	19 9/16" (497)	19.29 (1.79)
WS38410	3.23 (0.30)	41 1/8" (1064)	11 1/8" (282)	14.87 (1.38)	3.23 (0.30)	16 9/16" (421)	20.24 (1.88)
WS3852	3.52 (0.33)	41 1/8" (1064)	12 1/8" (308)	15.69 (1.46)	3.52 (0.33)	13 9/16" (345)	21.19 (1.97)
WS3856	5.28 (0.49)	41 1/8" (1064)	18 1/8" (461)	17.91 (1.66)	5.28 (0.49)	5 9/16" (141)	23.74 (2.21)
WS38510	5.67 (0.53)	41 1/8" (1064)	19 1/2" (495)	18.82 (1.75)	5.67 (0.53)	2 3/16" (56)	24.80 (2.30)
WS3862	6.06 (0.56)	41 1/8" (1064)	20 13/16" (529)	19.74 (1.83)	6.06 (0.56)	-1 1/8" (-28)	25.85 (2.40)

Woodwright® Arch Double-Hung Window Opening and Area Specifications

Window Number	Clear Opening Area Sq. Ft./ (m ²)	Clear Opening in Full Open Position		Glass Area Sq. Ft./ (m ²)	Vent Area Sq. Ft./ (m ²)	Top of Subfloor to Top of Inside Sill Stop Inches/(mm)	Overall Window Area Sq. Ft./ (m ²)
		Width Inches/(mm)	Height Inches/(mm)				
WA18210	1.26 (0.12)	17 7/8" (454)	10 3/16" (259)	2.84 (0.26)	1.61 (0.15)	48 1/2" (1232)	5.39 (0.50)
WA1832	1.51 (0.14)	17 7/8" (454)	12 3/16" (309)	3.27 (0.30)	1.85 (0.17)	44 1/2" (1131)	5.99 (0.56)
WA1836	1.76 (0.16)	17 7/8" (454)	14 3/16" (360)	3.71 (0.34)	2.10 (0.20)	40 1/2" (1029)	6.59 (0.61)
WA18310	2.01 (0.19)	17 7/8" (454)	16 3/16" (411)	4.14 (0.39)	2.35 (0.22)	36 1/2" (928)	7.20 (0.67)
WA1842	2.26 (0.21)	17 7/8" (454)	18 3/16" (462)	4.58 (0.43)	2.60 (0.24)	32 1/2" (826)	7.80 (0.72)
WA1846	2.51 (0.23)	17 7/8" (454)	20 3/16" (513)	5.01 (0.47)	2.85 (0.27)	28 1/2" (724)	8.40 (0.78)
WA18410	2.76 (0.26)	17 7/8" (454)	22 3/16" (563)	5.44 (0.51)	3.10 (0.29)	24 1/2" (623)	9.00 (0.84)
WA1852	3.00 (0.28)	17 7/8" (454)	24 3/16" (614)	5.88 (0.55)	3.35 (0.31)	20 1/2" (521)	9.60 (0.89)
WA1856	3.25 (0.30)	17 7/8" (454)	26 3/16" (665)	6.31 (0.59)	3.59 (0.33)	16 1/2" (420)	10.20 (0.95)
WA18510	3.50 (0.33)	17 7/8" (454)	28 3/16" (716)	6.75 (0.63)	3.84 (0.36)	12 1/2" (318)	10.80 (1.00)
WA1862	3.75 (0.35)	17 7/8" (454)	30 3/16" (767)	7.18 (0.67)	4.09 (0.38)	8 1/2" (216)	11.40 (1.06)
WA2032	1.77 (0.16)	21 7/8" (556)	11 5/8" (296)	4.09 (0.38)	2.24 (0.21)	44 1/2" (1131)	7.07 (0.66)
WA2036	2.07 (0.19)	21 7/8" (556)	13 5/8" (347)	4.63 (0.43)	2.55 (0.24)	40 1/2" (1029)	7.78 (0.72)
WA20310	2.38 (0.22)	21 7/8" (556)	15 5/8" (397)	5.18 (0.48)	2.85 (0.27)	36 1/2" (928)	8.50 (0.79)
WA2042	2.68 (0.25)	21 7/8" (556)	17 5/8" (448)	5.72 (0.53)	3.15 (0.29)	32 1/2" (826)	9.21 (0.86)
WA2046	2.99 (0.28)	21 7/8" (556)	19 5/8" (499)	6.27 (0.58)	3.46 (0.32)	28 1/2" (724)	9.92 (0.92)
WA20410	3.29 (0.31)	21 7/8" (556)	21 5/8" (550)	6.81 (0.63)	3.76 (0.35)	24 1/2" (623)	10.63 (0.99)
WA2052	3.59 (0.33)	21 7/8" (556)	23 5/8" (601)	7.36 (0.68)	4.07 (0.38)	20 1/2" (521)	11.34 (1.05)
WA2056	3.90 (0.36)	21 7/8" (556)	25 5/8" (651)	7.90 (0.73)	4.37 (0.41)	16 1/2" (420)	12.05 (1.12)
WA20510	4.20 (0.39)	21 7/8" (556)	27 5/8" (702)	8.45 (0.79)	4.68 (0.43)	12 1/2" (318)	12.77 (1.19)

Woodwright® Picture Window Area Specifications

Window Number	Glass Area Sq. Ft./ (m ²)	Overall Window Area Sq. Ft./ (m ²)
WPW10310	2.03 (0.19)	4.07 (0.38)
WPW1042	2.22 (0.21)	4.41 (0.41)
WPW1046	2.42 (0.23)	4.74 (0.44)
WPW10410	2.61 (0.24)	5.07 (0.47)
WPW1052	2.81 (0.26)	5.41 (0.50)
WPW1056	3.01 (0.28)	5.74 (0.53)
WPW10510	3.20 (0.30)	6.07 (0.56)
WPW1062	3.40 (0.32)	6.41 (0.60)
WPW30310	9.38 (0.87)	12.77 (1.19)
WPW3042	10.29 (0.96)	13.82 (1.28)
WPW3046	11.19 (1.04)	14.86 (1.38)
WPW30410	12.10 (1.12)	15.91 (1.48)
WPW3052	13.01 (1.21)	16.95 (1.58)
WPW3056	13.92 (1.29)	18.00 (1.67)
WPW30510	14.83 (1.38)	19.04 (1.77)
WPW3062	15.73 (1.46)	20.09 (1.87)
WPW34310	10.53 (0.98)	14.13 (1.31)
WPW3442	11.54 (1.07)	15.28 (1.42)
WPW3446	12.56 (1.17)	16.44 (1.53)
WPW34410	13.58 (1.26)	17.60 (1.64)
WPW3452	14.60 (1.36)	18.75 (1.74)
WPW3456	15.62 (1.45)	19.91 (1.85)
WPW34510	16.64 (1.55)	21.07 (1.96)
WPW3462	17.66 (1.64)	22.22 (2.06)
WPW310310	12.16 (1.13)	16.06 (1.49)
WPW31042	13.33 (1.24)	17.37 (1.61)
WPW31046	14.51 (1.35)	18.69 (1.74)
WPW310410	15.69 (1.46)	20.00 (1.86)
WPW31052	16.87 (1.57)	21.32 (1.98)
WPW31056	18.04 (1.68)	22.63 (2.10)
WPW310510	19.22 (1.79)	23.94 (2.22)
WPW31062	20.40 (1.90)	25.26 (2.35)
WPW42310	13.30 (1.24)	17.42 (1.62)
WPW4242	14.20 (1.32)	18.84 (1.75)
WPW4246	15.88 (1.48)	20.27 (1.88)
WPW42410	17.17 (1.60)	21.69 (2.02)
WPW4252	18.46 (1.72)	23.12 (2.15)
WPW4256	19.75 (1.84)	24.54 (2.28)
WPW42510	21.03 (1.95)	25.97 (2.41)
WPW4262	22.32 (2.07)	27.39 (2.55)
WPW410310	15.60 (1.45)	20.13 (1.87)
WPW41042	17.11 (1.59)	21.78 (2.02)
WPW41046	18.62 (1.73)	23.43 (2.18)
WPW410410	20.13 (1.87)	25.07 (2.33)
WPW41052	21.64 (2.01)	26.72 (2.48)
WPW41056	23.15 (2.15)	28.37 (2.64)
WPW410510	24.66 (2.29)	30.02 (2.79)
WPW41062	26.17 (2.43)	31.66 (2.94)
WPW56310	17.89 (1.66)	22.85 (2.12)
WPW5642	19.63 (1.82)	24.72 (2.30)
WPW5646	21.36 (1.98)	26.59 (2.47)
WPW56410	23.09 (2.15)	28.46 (2.64)
WPW5652	24.83 (2.31)	30.33 (2.82)
WPW5656	26.56 (2.47)	32.20 (2.99)
WPW56510	28.29 (2.63)	34.07 (3.17)
WPW5662	30.02 (2.79)	35.93 (3.34)

• Dimensions in parentheses are in square meters.

• "Top of Subfloor to Top of Inside Sill Stop" is calculated based upon a structural header height of 6'-10 1/2" (2096).
• Dimensions in parentheses are in millimeters or square meters.

400 Series
Woodwright® Double-Hung
Full-Frame Windows

continued on next page

WOODWRIGHT® DOUBLE-HUNG FULL-FRAME WINDOWS

Woodwright® Arch Double-Hung Window Opening and Area Specifications (continued)

Window Number	Clear Opening Area Sq. Ft./ (m ²)	Clear Opening in Full Open Position		Glass Area Sq. Ft./ (m ²)	Vent Area Sq. Ft./ (m ²)	Top of Subfloor to Top of Inside Sill Stop Inches/(mm)	Overall Window Area Sq. Ft./ (m ²)
		Width Inches/(mm)	Height Inches/(mm)				
WA2062	4.51 (0.42)	21 7/8" (556)	29 5/8" (753)	8.99 (0.84)	4.98 (0.46)	8 1/2" (216)	13.48 (1.25)
WA2432	2.00 (0.19)	25 1/8" (658)	11 1/8" (282)	4.89 (0.46)	2.62 (0.24)	44 1/2" (1131)	8.14 (0.76)
WA2436	2.36 (0.22)	25 1/8" (658)	13 1/8" (333)	5.55 (0.52)	2.98 (0.28)	40 1/2" (1029)	8.96 (0.83)
WA24310	2.72 (0.25)	25 1/8" (658)	15 1/8" (384)	6.21 (0.58)	3.34 (0.31)	36 1/2" (928)	9.79 (0.91)
WA2442	3.08 (0.29)	25 1/8" (658)	17 1/8" (435)	6.86 (0.64)	3.70 (0.34)	32 1/2" (826)	10.61 (0.99)
WA2446	3.44 (0.32)	25 1/8" (658)	19 1/8" (485)	7.52 (0.70)	4.06 (0.38)	28 1/2" (724)	11.43 (1.06)
WA24410	3.80 (0.35)	25 1/8" (658)	21 1/8" (536)	8.17 (0.76)	4.42 (0.41)	24 1/2" (623)	12.26 (1.14)
WA2452	4.16 (0.39)	25 1/8" (658)	23 1/8" (587)	8.83 (0.82)	4.78 (0.44)	20 1/2" (521)	13.08 (1.22)
WA2456	4.51 (0.42)	25 1/8" (658)	25 1/8" (638)	9.49 (0.88)	5.14 (0.48)	16 1/2" (420)	13.90 (1.29)
WA24510	4.87 (0.45)	25 1/8" (658)	27 1/8" (689)	10.14 (0.94)	5.50 (0.51)	12 1/2" (318)	14.72 (1.37)
WA2462	5.23 (0.49)	25 1/8" (658)	29 1/8" (739)	10.80 (1.00)	5.86 (0.54)	8 1/2" (216)	15.55 (1.44)
WA2632	2.10 (0.20)	27 7/8" (708)	10 13/16" (275)	5.29 (0.49)	2.81 (0.26)	44 1/2" (1131)	8.67 (0.81)
WA2636	2.49 (0.23)	27 7/8" (708)	12 13/16" (326)	6.00 (0.56)	3.19 (0.30)	40 1/2" (1029)	9.55 (0.89)
WA26310	2.88 (0.27)	27 7/8" (708)	14 13/16" (377)	6.72 (0.62)	3.58 (0.33)	36 1/2" (928)	10.43 (0.97)
WA2642	3.26 (0.30)	27 7/8" (708)	16 13/16" (428)	7.43 (0.69)	3.97 (0.37)	32 1/2" (826)	11.31 (1.05)
WA2646	3.65 (0.34)	27 7/8" (708)	18 13/16" (479)	8.14 (0.76)	4.36 (0.41)	28 1/2" (724)	12.18 (1.13)
WA26410	4.04 (0.38)	27 7/8" (708)	20 13/16" (529)	8.85 (0.82)	4.74 (0.44)	24 1/2" (623)	13.06 (1.21)
WA2652	4.42 (0.41)	27 7/8" (708)	22 13/16" (580)	9.56 (0.89)	5.13 (0.48)	20 1/2" (521)	13.94 (1.30)
WA2656	4.81 (0.45)	27 7/8" (708)	24 13/16" (631)	10.28 (0.96)	5.52 (0.51)	16 1/2" (420)	14.82 (1.38)
WA26510	5.20 (0.48)	27 7/8" (708)	26 13/16" (682)	10.99 (1.02)	5.91 (0.55)	12 1/2" (318)	15.70 (1.46)
WA2662	5.59 (0.52)	27 7/8" (708)	28 13/16" (733)	11.70 (1.09)	6.29 (0.59)	8 1/2" (216)	16.58 (1.54)
WA2836	2.61 (0.24)	29 1/8" (759)	12 9/16" (319)	6.46 (0.60)	3.41 (0.32)	40 1/2" (1029)	10.13 (0.94)
WA28310	3.03 (0.28)	29 1/8" (759)	14 9/16" (370)	7.22 (0.67)	3.82 (0.36)	36 1/2" (928)	11.07 (1.03)
WA2842	3.44 (0.32)	29 1/8" (759)	16 9/16" (421)	7.99 (0.74)	4.24 (0.39)	32 1/2" (826)	12.00 (1.12)
WA2846	3.86 (0.36)	29 1/8" (759)	18 9/16" (472)	8.76 (0.81)	4.65 (0.43)	28 1/2" (724)	12.94 (1.20)
WA28410	4.27 (0.40)	29 1/8" (759)	20 9/16" (523)	9.53 (0.89)	5.07 (0.47)	24 1/2" (623)	13.87 (1.29)
WA2852	4.69 (0.44)	29 1/8" (759)	22 9/16" (573)	10.29 (0.96)	5.48 (0.51)	20 1/2" (521)	14.80 (1.38)
WA2856	5.10 (0.47)	29 1/8" (759)	24 9/16" (624)	11.06 (1.03)	5.90 (0.55)	16 1/2" (420)	15.74 (1.46)
WA28510	5.52 (0.51)	29 1/8" (759)	26 9/16" (675)	11.83 (1.10)	6.31 (0.59)	12 1/2" (318)	16.67 (1.55)
WA2862 ◊	5.93 (0.55)	29 1/8" (759)	28 9/16" (726)	12.60 (1.17)	6.73 (0.63)	8 1/2" (216)	17.61 (1.64)
WA210310	3.17 (0.29)	31 1/8" (810)	14 5/16" (363)	7.73 (0.72)	4.06 (0.38)	36 1/2" (928)	11.70 (1.09)
WA21042	3.61 (0.34)	31 1/8" (810)	16 5/16" (414)	8.55 (0.80)	4.50 (0.42)	32 1/2" (826)	12.69 (1.18)
WA21046	4.05 (0.38)	31 1/8" (810)	18 5/16" (465)	9.38 (0.87)	4.94 (0.46)	28 1/2" (724)	13.68 (1.27)
WA210410	4.50 (0.42)	31 1/8" (810)	20 5/16" (516)	10.20 (0.95)	5.39 (0.50)	24 1/2" (623)	14.67 (1.36)
WA21052	4.94 (0.46)	31 1/8" (810)	22 5/16" (567)	11.02 (1.02)	5.83 (0.54)	20 1/2" (521)	15.66 (1.46)
WA21056	5.38 (0.50)	31 1/8" (810)	24 5/16" (617)	11.84 (1.10)	6.27 (0.58)	16 1/2" (420)	16.65 (1.55)
WA210510 ◊	5.83 (0.54)	31 1/8" (810)	26 5/16" (668)	12.67 (1.18)	6.72 (0.62)	12 1/2" (318)	17.64 (1.64)
WA21062 ◊	6.27 (0.58)	31 1/8" (810)	28 5/16" (719)	13.49 (1.25)	7.16 (0.67)	8 1/2" (216)	18.63 (1.73)
WA30310	3.30 (0.31)	33 1/8" (861)	14 1/16" (357)	8.23 (0.77)	4.29 (0.40)	36 1/2" (928)	12.34 (1.15)
WA3042	3.78 (0.35)	33 1/8" (861)	16 1/16" (407)	9.11 (0.85)	4.76 (0.44)	32 1/2" (826)	13.38 (1.24)
WA3046	4.25 (0.39)	33 1/8" (861)	18 1/16" (458)	9.99 (0.93)	5.23 (0.49)	28 1/2" (724)	14.43 (1.34)
WA30410	4.72 (0.44)	33 1/8" (861)	20 1/16" (509)	10.87 (1.01)	5.70 (0.53)	24 1/2" (623)	15.47 (1.44)
WA3052	5.19 (0.48)	33 1/8" (861)	22 1/16" (560)	11.75 (1.09)	6.17 (0.57)	20 1/2" (521)	16.52 (1.54)
WA3056	5.66 (0.53)	33 1/8" (861)	24 1/16" (611)	12.62 (1.17)	6.65 (0.62)	16 1/2" (420)	17.56 (1.63)
WA30510 ◊	6.13 (0.57)	33 1/8" (861)	26 1/16" (661)	13.50 (1.25)	7.12 (0.66)	12 1/2" (318)	18.61 (1.73)
WA3062 ◊	6.60 (0.61)	33 1/8" (861)	28 1/16" (712)	14.38 (1.34)	7.59 (0.71)	8 1/2" (216)	19.65 (1.83)
WA34310	3.55 (0.33)	37 7/8" (962)	13 1/2" (343)	9.23 (0.86)	4.75 (0.44)	36 1/2" (928)	13.60 (1.26)
WA3442	4.08 (0.38)	37 7/8" (962)	15 1/2" (394)	10.22 (0.95)	5.28 (0.49)	32 1/2" (826)	14.76 (1.37)
WA3446	4.61 (0.43)	37 7/8" (962)	17 1/2" (445)	11.21 (1.04)	5.81 (0.54)	28 1/2" (724)	15.91 (1.48)
WA34410	5.13 (0.48)	37 7/8" (962)	19 1/2" (495)	12.20 (1.13)	6.33 (0.59)	24 1/2" (623)	17.07 (1.59)
WA3452	5.66 (0.53)	37 7/8" (962)	21 1/2" (546)	13.19 (1.23)	6.86 (0.64)	20 1/2" (521)	18.22 (1.69)
WA3456	6.19 (0.58)	37 7/8" (962)	23 1/2" (597)	14.18 (1.32)	7.38 (0.69)	16 1/2" (420)	19.38 (1.80)
WA34510 ◊	6.71 (0.62)	37 7/8" (962)	25 1/2" (648)	15.17 (1.41)	7.91 (0.74)	12 1/2" (318)	20.54 (1.91)
WA3462 ◊	7.24 (0.67)	37 7/8" (962)	27 1/2" (699)	16.16 (1.50)	8.44 (0.78)	8 1/2" (216)	21.69 (2.02)
WA3842	4.36 (0.41)	41 7/8" (1064)	15" (380)	11.32 (1.05)	5.79 (0.54)	32 1/2" (826)	16.12 (1.50)
WA3846	4.94 (0.46)	41 7/8" (1064)	17" (431)	12.42 (1.15)	6.37 (0.59)	28 1/2" (724)	17.39 (1.62)
WA38410	5.52 (0.51)	41 7/8" (1064)	19" (482)	13.52 (1.26)	6.95 (0.65)	24 1/2" (623)	18.65 (1.73)
WA3852	6.10 (0.57)	41 7/8" (1064)	21" (533)	14.62 (1.36)	7.53 (0.70)	20 1/2" (521)	19.92 (1.85)
WA3856	6.68 (0.62)	41 7/8" (1064)	23" (583)	15.72 (1.46)	8.11 (0.75)	16 1/2" (420)	21.19 (1.97)
WA38510 ◊	7.26 (0.68)	41 7/8" (1064)	25" (634)	16.82 (1.56)	8.70 (0.81)	12 1/2" (318)	22.46 (2.09)
WA3862 ◊	7.85 (0.73)	41 7/8" (1064)	27" (685)	17.93 (1.67)	9.28 (0.86)	8 1/2" (216)	23.72 (2.20)

- "Top of Subfloor to Top of Inside Sill Stop" is calculated based upon a structural header height of 6'-10 1/2" (2096).
- Dimensions in parentheses are in millimeters or square meters.
- ◊ Meet or exceed clear opening area of 5.7 sq. ft. or 0.53 m²; clear opening width of 20" (508) and clear opening height of 24" (610).

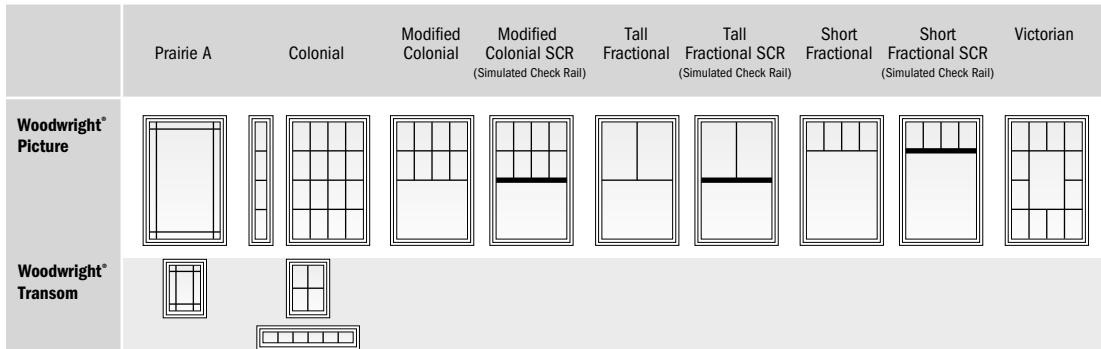
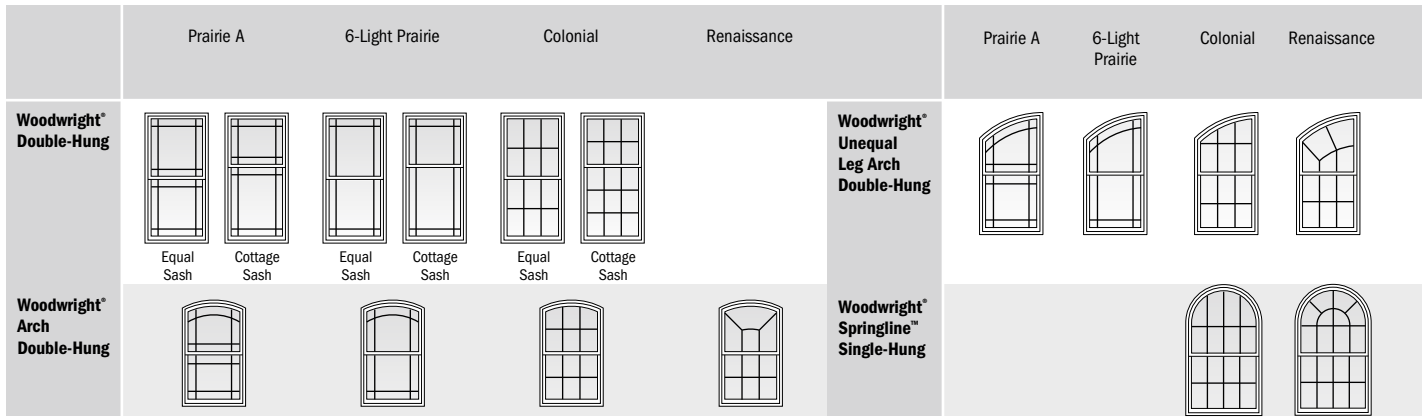
Woodwright® Unequal Leg Arch Double-Hung Window Opening and Area Specifications

Window Number	Clear Opening Area Sq. Ft./ (m ²)	Clear Opening in Full Open Position		Glass Area Sq. Ft./ (m ²)	Vent Area Sq. Ft./ (m ²)	Top of Subfloor to Top of Inside Sill Stop Inches/(mm)	Overall Window Area Sq. Ft./ (m ²)
		Width Inches/(mm)	Height Inches/(mm)				
WU1836	1.44 (0.13)	17 7/8" (454)	11 5/8" (295)	3.59 (0.33)	1.98 (0.18)	40 1/2" (1029)	6.47 (0.60)
WU18310	1.69 (0.16)	17 7/8" (454)	13 5/8" (346)	4.02 (0.37)	2.23 (0.21)	36 1/2" (928)	7.07 (0.66)
WU1842	1.94 (0.18)	17 7/8" (454)	15 5/8" (396)	4.46 (0.41)	2.48 (0.23)	32 1/2" (826)	7.67 (0.71)
WU1846	2.19 (0.20)	17 7/8" (454)	17 5/8" (447)	4.89 (0.45)	2.72 (0.25)	28 1/2" (724)	8.27 (0.77)
WU18410	2.44 (0.23)	17 7/8" (454)	19 5/8" (498)	5.32 (0.49)	2.97 (0.28)	24 1/2" (623)	8.87 (0.82)
WU1852	2.68 (0.25)	17 7/8" (454)	21 5/8" (549)	5.76 (0.53)	3.22 (0.30)	20 1/2" (521)	9.47 (0.88)
WU1856	2.93 (0.27)	17 7/8" (454)	23 5/8" (600)	6.19 (0.58)	3.47 (0.32)	16 1/2" (420)	10.07 (0.94)
WU18510	3.18 (0.30)	17 7/8" (454)	25 5/8" (650)	6.63 (0.62)	3.72 (0.35)	12 1/2" (318)	10.67 (0.99)
WU1862	3.43 (0.32)	17 7/8" (454)	27 5/8" (701)	7.06 (0.66)	3.97 (0.37)	8 1/2" (216)	11.28 (1.05)
WU20310	1.71 (0.16)	21 1/8" (556)	11 1/4" (286)	4.95 (0.46)	2.61 (0.24)	36 1/2" (928)	8.24 (0.77)
WU2042	2.02 (0.19)	21 1/8" (556)	13 1/4" (337)	5.50 (0.51)	2.91 (0.27)	32 1/2" (826)	8.96 (0.83)
WU2046	2.32 (0.22)	21 1/8" (556)	15 1/4" (388)	6.04 (0.56)	3.22 (0.30)	28 1/2" (724)	9.67 (0.90)
WU20410	2.62 (0.24)	21 1/8" (556)	17 1/4" (438)	6.59 (0.61)	3.52 (0.33)	24 1/2" (623)	10.38 (0.96)
WU2052	2.93 (0.27)	21 1/8" (556)	19 1/4" (489)	7.13 (0.66)	3.83 (0.36)	20 1/2" (521)	11.09 (1.03)
WU2056	3.23 (0.30)	21 1/8" (556)	21 1/4" (540)	7.68 (0.71)	4.13 (0.38)	16 1/2" (420)	11.80 (1.10)
WU20510	3.54 (0.33)	21 1/8" (556)	23 1/4" (591)	8.22 (0.76)	4.44 (0.41)	12 1/2" (318)	12.51 (1.16)
WU2062	3.84 (0.36)	21 1/8" (556)	25 1/4" (642)	8.77 (0.81)	4.74 (0.44)	8 1/2" (216)	13.23 (1.23)
WU2446	2.21 (0.21)	25 1/8" (658)	12 1/4" (312)	7.12 (0.66)	3.64 (0.34)	28 1/2" (724)	10.99 (1.02)
WU24410	2.57 (0.24)	25 1/8" (658)	14 1/4" (363)	7.78 (0.72)	4.00 (0.37)	24 1/2" (623)	11.81 (1.10)
WU2452	2.93 (0.27)	25 1/8" (658)	16 1/4" (413)	8.44 (0.78)	4.36 (0.41)	20 1/2" (521)	12.63 (1.17)
WU2456E	3.29 (0.31)	25 1/8" (658)	18 1/4" (464)	9.09 (0.84)	4.72 (0.44)	16 1/2" (420)	13.46 (1.25)
WU24510	3.65 (0.34)	25 1/8" (658)	20 1/4" (515)	9.75 (0.91)	5.08 (0.47)	12 1/2" (318)	14.28 (1.33)
WU2462	4.01 (0.37)	25 1/8" (658)	22 1/4" (566)	10.40 (0.97)	5.44 (0.51)	8 1/2" (216)	15.10 (1.40)
WU26410	2.42 (0.23)	27 1/8" (708)	12 1/2" (318)	8.34 (0.78)	4.21 (0.39)	24 1/2" (623)	12.49 (1.16)
WU2652	2.81 (0.26)	27 1/8" (708)	14 1/2" (368)	9.06 (0.84)	4.59 (0.43)	20 1/2" (521)	13.37 (1.24)
WU2656	3.20 (0.30)	27 1/8" (708)	16 1/2" (419)	9.77 (0.91)	4.98 (0.46)	16 1/2" (420)	14.25 (1.32)
WU26510	3.58 (0.33)	27 1/8" (708)	18 1/2" (470)	10.48 (0.97)	5.37 (0.50)	12 1/2" (318)	15.13 (1.41)
WU2662	3.97 (0.37)	27 1/8" (708)	20 1/2" (521)	11.19 (1.04)	5.76 (0.53)	8 1/2" (216)	16.01 (1.49)
WU2852	2.59 (0.24)	29 1/8" (759)	12 1/2" (317)	9.65 (0.90)	4.80 (0.45)	20 1/2" (521)	14.08 (1.31)
WU2856	3.01 (0.28)	29 1/8" (759)	14 1/2" (368)	10.42 (0.97)	5.22 (0.48)	16 1/2" (420)	15.01 (1.40)
WU28510	3.42 (0.32)	29 1/8" (759)	16 1/2" (419)	11.19 (1.04)	5.63 (0.52)	12 1/2" (318)	15.95 (1.48)
WU2862	3.84 (0.36)	29 1/8" (759)	18 1/2" (470)	11.95 (1.11)	6.05 (0.56)	8 1/2" (216)	16.88 (1.57)
WU21042	3.13 (0.29)	31 1/8" (810)	14 1/8" (359)	8.35 (0.78)	4.31 (0.40)	32 1/2" (826)	12.52 (1.16)
WU21046	3.57 (0.33)	31 1/8" (810)	16 1/8" (409)	9.17 (0.85)	4.75 (0.44)	28 1/2" (724)	13.51 (1.26)
WU210410	4.01 (0.37)	31 1/8" (810)	18 1/8" (460)	10.00 (0.93)	5.19 (0.48)	24 1/2" (623)	14.50 (1.35)
WU21052	4.46 (0.41)	31 1/8" (810)	20 1/8" (511)	10.82 (1.01)	5.64 (0.52)	20 1/2" (521)	15.49 (1.44)
WU21056	4.90 (0.46)	31 1/8" (810)	22 1/8" (562)	11.64 (1.08)	6.08 (0.56)	16 1/2" (420)	16.48 (1.53)
WU210510	5.34 (0.50)	31 1/8" (810)	24 1/8" (613)	12.46 (1.16)	6.52 (0.61)	12 1/2" (318)	17.47 (1.62)
WU21062	5.78 (0.54)	31 1/8" (810)	26 1/8" (663)	13.29 (1.23)	6.96 (0.65)	8 1/2" (216)	18.46 (1.72)
WU3042	3.13 (0.29)	33 1/8" (861)	13 5/16" (338)	8.86 (0.82)	4.51 (0.42)	32 1/2" (826)	13.15 (1.22)
WU3046	3.60 (0.34)	33 1/8" (861)	15 5/16" (389)	9.73 (0.90)	4.98 (0.46)	28 1/2" (724)	14.20 (1.32)
WU30410	4.07 (0.38)	33 1/8" (861)	17 5/16" (440)	10.61 (0.99)	5.46 (0.51)	24 1/2" (623)	15.24 (1.42)
WU3052	4.54 (0.42)	33 1/8" (861)	19 5/16" (490)	11.49 (1.07)	5.93 (0.55)	20 1/2" (521)	16.29 (1.51)
WU3056	5.02 (0.47)	33 1/8" (861)	21 5/16" (541)	12.37 (1.15)	6.40 (0.59)	16 1/2" (420)	17.33 (1.61)
WU30510	5.49 (0.51)	33 1/8" (861)	23 5/16" (592)	13.25 (1.23)	6.87 (0.64)	12 1/2" (318)	18.38 (1.71)
WU3062	5.96 (0.55)	33 1/8" (861)	25 5/16" (643)	14.13 (1.31)	7.34 (0.68)	8 1/2" (216)	19.42 (1.80)
WU34410	4.09 (0.38)	37 1/8" (962)	15 1/2" (395)	11.81 (1.10)	5.95 (0.55)	24 1/2" (623)	16.69 (1.55)
WU3452	4.61 (0.43)	37 1/8" (962)	17 1/2" (445)	12.80 (1.19)	6.47 (0.60)	20 1/2" (521)	17.85 (1.66)
WU3456	5.14 (0.48)	37 1/8" (962)	19 1/2" (496)	13.79 (1.28)	7.00 (0.65)	16 1/2" (420)	19.01 (1.77)
WU34510	5.67 (0.53)	37 1/8" (962)	21 1/2" (547)	14.78 (1.37)	7.53 (0.70)	12 1/2" (318)	20.16 (1.87)
WU3462	6.19 (0.58)	37 1/8" (962)	23 1/2" (598)	15.77 (1.47)	8.05 (0.75)	8 1/2" (216)	21.32 (1.98)
WU3852	4.52 (0.42)	41 1/8" (1064)	15 1/2" (394)	14.06 (1.31)	6.97 (0.65)	20 1/2" (521)	19.36 (1.80)
WU3856	5.10 (0.47)	41 1/8" (1064)	17 1/2" (445)	15.16 (1.41)	7.55 (0.70)	16 1/2" (420)	20.63 (1.92)
WU38510	5.68 (0.53)	41 1/8" (1064)	19 1/2" (496)	16.27 (1.51)	8.13 (0.76)	12 1/2" (318)	21.90 (2.03)
WU3862	6.26 (0.58)	41 1/8" (1064)	21 1/2" (547)	17.37 (1.61)	8.71 (0.81)	8 1/2" (216)	23.16 (2.15)

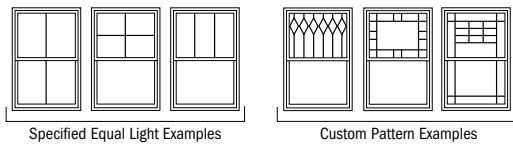
• "Top of Subfloor to Top of Inside Sill Stop" is calculated based upon a structural header height of 6'-10 1/2" (2096).
• Dimensions in parentheses are in millimeters or square meters

WOODWRIGHT® DOUBLE-HUNG FULL-FRAME WINDOWS

Grille Patterns



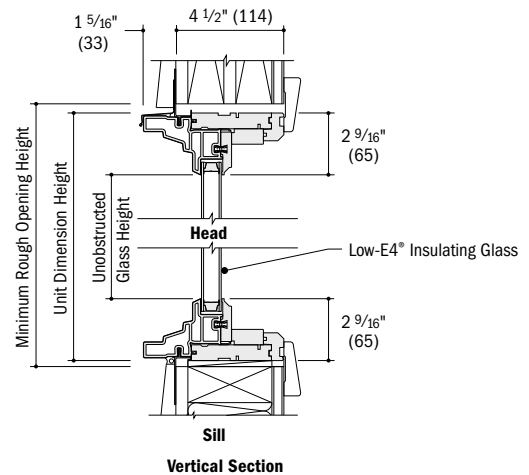
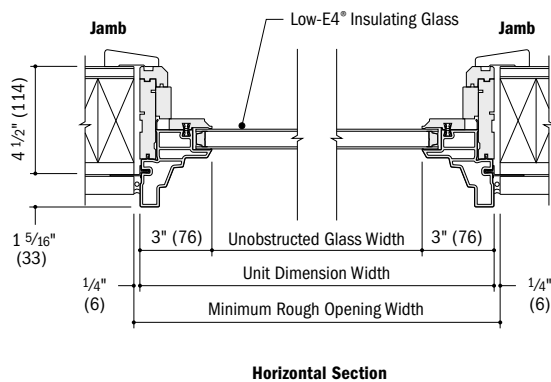
Patterns for double- and single-hung windows are also available in Upper Sash Only (USO) configurations. For picture window patterns that require alignment with double- or single-hung window patterns, identify the sash style (equal, cottage or reverse cottage) when ordering. **Number of lights and overall pattern varies with window size. Patterns are not available in all configurations.**



Specified equal light and custom patterns are also available. For more information on divided light, see page 11 or visit andersenwindows.com/grilles.

Woodwright® Transom Window Details

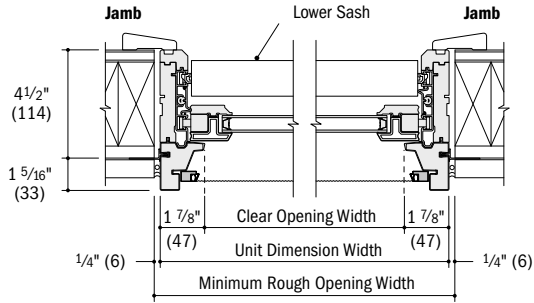
Scale 1 1/2" (38) = 1'-0" (305) – 1:8



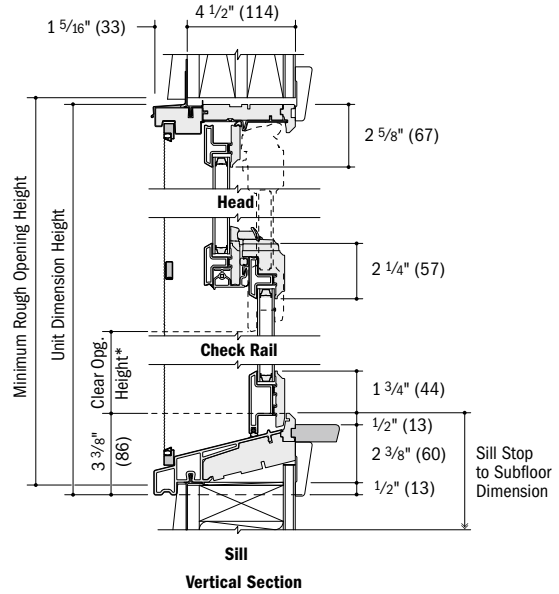
- Rough openings may need to be increased to allow for use of building wraps, flashing, sill panning, brackets, fasteners or other items. See installation information on pages 288-289.
- Details are for illustration only and are not intended to represent product installation methods or materials. Refer to product installation guides at andersenwindows.com.
- Dimensions in parentheses are in millimeters.

Woodwright® Double-Hung Window Details

Scale 1 1/2" (38) = 1'-0" (305) – 1:8



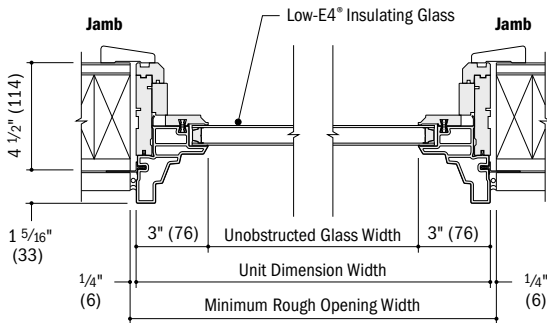
Horizontal Section



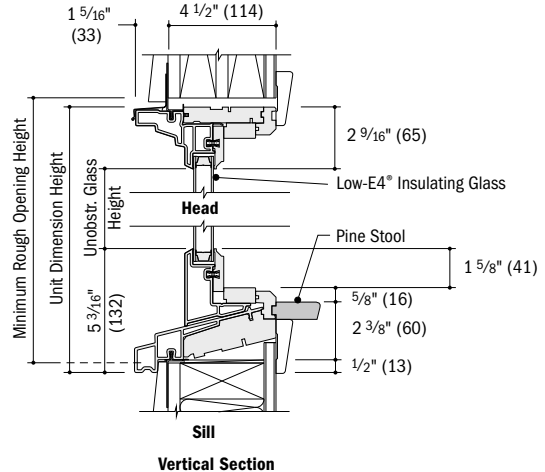
Vertical Section

Woodwright® Picture Window Details

Scale 1 1/2" (38) = 1'-0" (305) – 1:8



Horizontal Section



Vertical Section

400 Series
Woodwright® Double-Hung
Full-Frame Windows

- Light-colored areas are parts included with window. Dark-colored areas are additional Andersen® parts required to complete window assembly as shown.
- **Rough openings may need to be increased to allow for use of building wraps, flashing, sill panning, brackets, fasteners or other items. See installation information on pages 288-289.**
- Details are for illustration only and are not intended to represent product installation methods or materials. Refer to product installation guides at andersenwindows.com.
- Dimensions in parentheses are in millimeters.
- *Clear opening height dimension is less on arch, unequal leg arch and Springline™ windows.

WOODWRIGHT® DOUBLE-HUNG FULL-FRAME WINDOWS

Horizontal (stack) Joining Detail

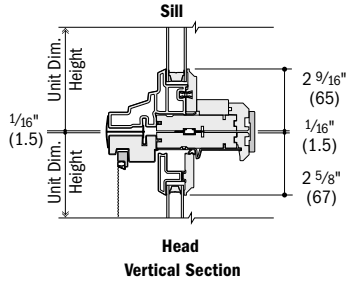
Scale 1 1/2" (38) = 1'-0" (305) – 1:8

Overall Window Dimension Height

Sum of individual window heights plus 1/16" (1.5) for each join.

Overall Rough Opening Height

Overall window dimension height.*



Woodwright® Transom (WTR) over Woodwright Double-Hung

Vertical (ribbon) Joining Detail

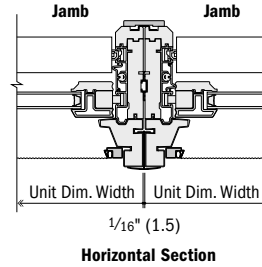
Scale 1 1/2" (38) = 1'-0" (305) – 1:8

Overall Window Dimension Width

Sum of individual window widths plus 1/16" (1.5) for each join.

Overall Rough Opening Width

Overall window dimension width plus 1/2" (13).



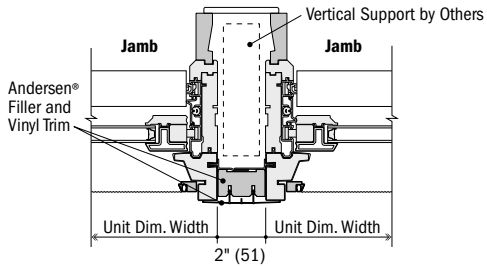
Woodwright® Double-Hung to Woodwright Double-Hung

For more joining information, see the combination designs section starting on page 255.

Separate Rough Openings Detail

Scale 1 1/2" (38) = 1'-0" (305) – 1:8

To meet structural requirements or to achieve a wider joined appearance, windows may be installed into separate rough openings having vertical support (by others) in combination with Andersen® exterior filler and exterior vinyl trim.



Horizontal Section

Woodwright® Double-Hung and Woodwright Double-Hung

- Light-colored areas are parts included with window. Dark-colored areas are additional Andersen® parts required to complete window assembly as shown.
- **Rough openings may need to be increased to allow for use of building wraps, flashing, sill panning, brackets, fasteners or other items. See installation information on pages 288-289.**
- Details are for illustration only and are not intended to represent product installation methods or materials. Refer to product installation guides at andersenwindows.com.
- Consult with an architect or structural engineer regarding minimum requirements for structural support members between adjacent rough openings.
- Dimensions in parentheses are in millimeters.
- *For stacks where bottom unit in combination is a double-hung or picture window with a sloped sill. If bottom window has a straight sill add 1/2" (13) to the overall window dimension height.

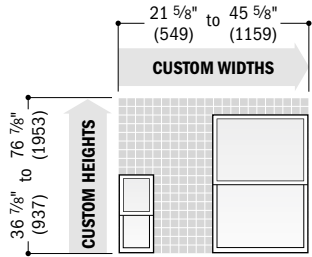
Custom Sizes and Specification Formulas



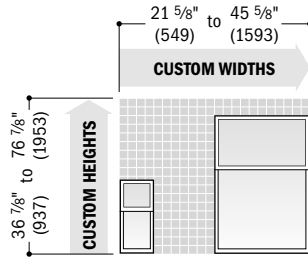
Available in 1/8" (3) increments between minimum and maximum widths and heights. Windows can also be custom sized to match standard sizes ending in a sixteenth of an inch. Some restrictions apply, contact your Andersen supplier. Measurement guide for custom sized windows can be found at andersenwindows.com/measure.

Woodwright® Double-Hung Windows

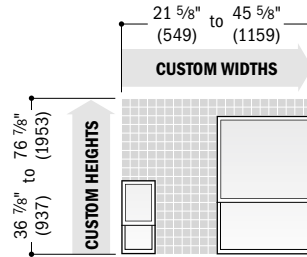
Equal Sash Ratio



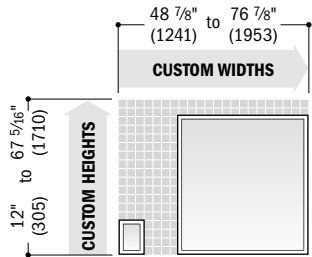
2:3 Cottage Sash Ratio



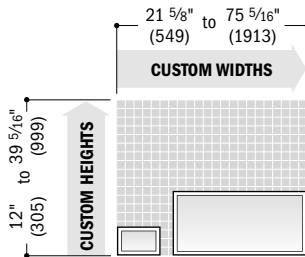
3:2 Reverse Cottage Sash Ratio



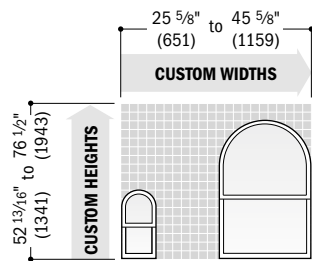
Woodwright® Picture Windows



Woodwright® Transom Windows

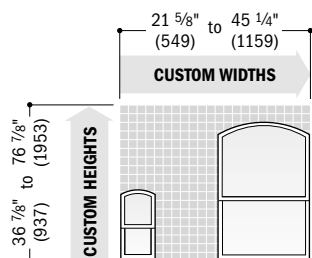


Woodwright® Springline™ Single-Hung Windows

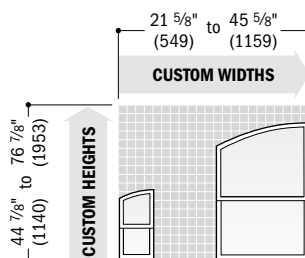


Side-by-side joining of two arch or Springline™ windows or short leg, side-by-side joining of unequal leg arch windows is not recommended.

Woodwright® Arch Double-Hung Windows



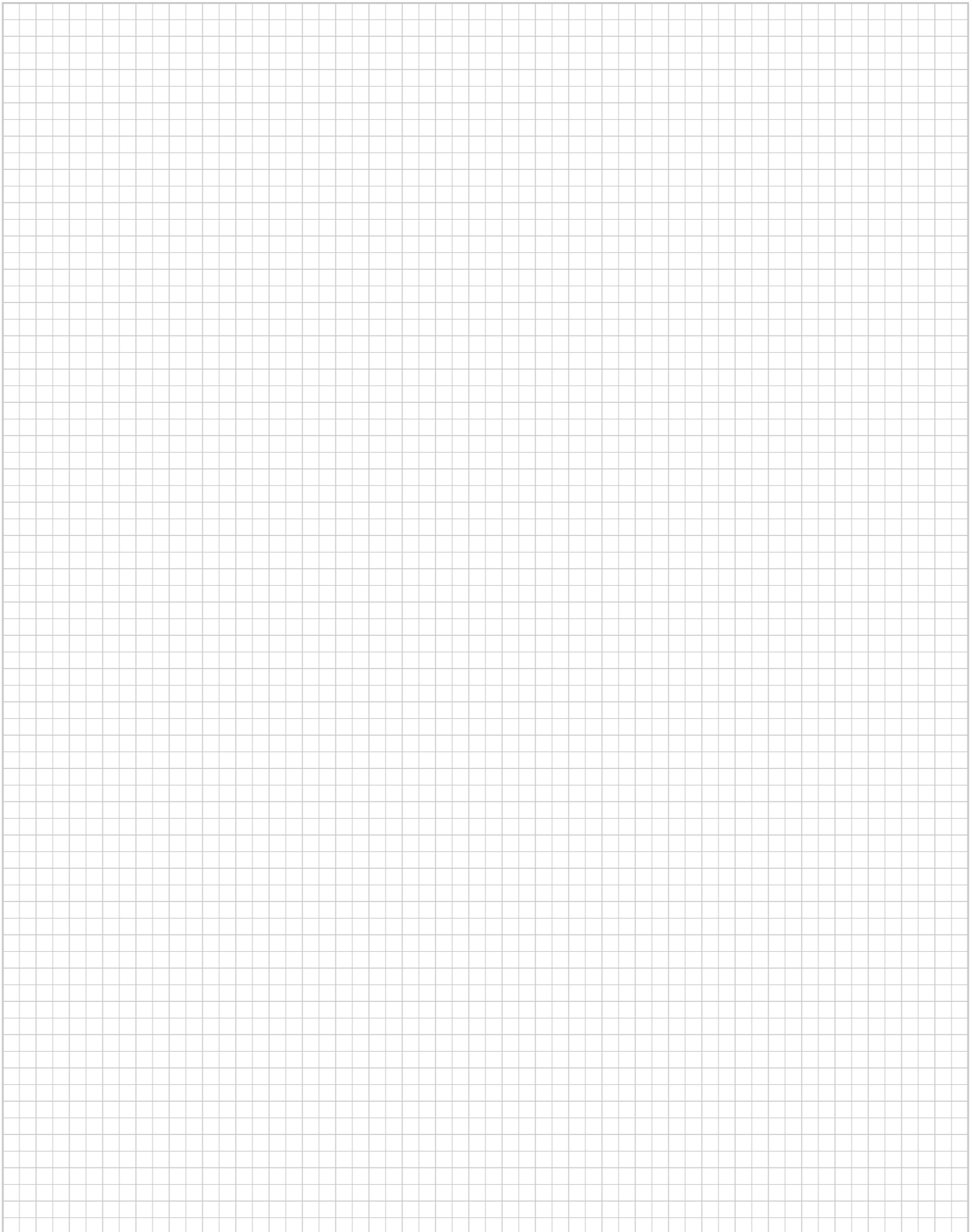
Woodwright® Unequal Leg Arch Double-Hung Windows



• Dimensions in parentheses are in millimeters.

400 Series
Woodwright® Double-Hung
Full-Frame Windows

WOODWRIGHT® DOUBLE-HUNG FULL-FRAME WINDOWS



CUSTOM SIZING
in 1/8" (3) increments



WOODWRIGHT[®] DOUBLE-HUNG INSERT WINDOWS

400 Series
Woodwright[®] Double-Hung
Insert Windows

SECTION REFERENCE

Sizes.....	82
Specifications	82
Existing Window Measurements ...	83
Sill Angle Details	83
Grille Patterns	84
Window Details	84-85
Joining Detail	85
Product Performance.....	269
Warranty.....	290-291

Dimensions in parentheses are in millimeters.

WOODWRIGHT® DOUBLE-HUNG INSERT WINDOWS

FEATURES

Frame

A Fibrex® material exterior protects the frame – beautifully. Best of all, it's low-maintenance and never needs painting.*

B For exceptionally long-lasting** performance, sill members are constructed with a wood core and a Fibrex® material exterior.

C Natural wood stops are available in pine, oak, maple and prefinished White. Wood jamb liners add beauty and authenticity to the window interior.

D Multiple weatherstripping systems help provide a barrier against wind, rain and dust. The combination of spring tension vinyl, rigid vinyl and flexible bulb weatherstripping is efficient and effective.

E Exterior stop covers are specially designed to allow easy application of high-quality sealant.

3 1/4" (83) "pocket window" jamb depth allows convenient replacement without disturbing interior window trim for most double-hung replacement situations.

F For units with White exterior color, exterior jamb liner is White. For all other units, the exterior jamb liner is gray.

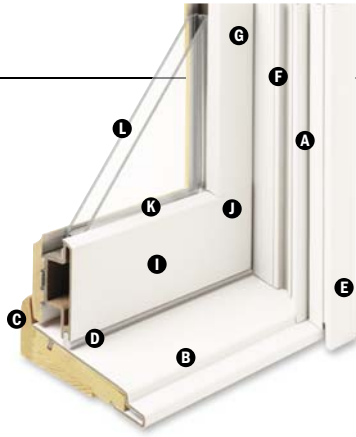
Sash

G Balancers in the sash enable contractors to screw through the jamb during installation without interfering with the window's operation.

Wood Jamb Liner



H Natural wood sash interior with classic chamfer detailing. Available in pine, oak, maple or prefinished White.



I Low-maintenance sash exterior provides long-lasting** protection and performance. Sash exteriors on most units include Fibrex® material.

J Sash joints simulate the look of traditional mortise-and-tenon construction inside and out.

Glass

K Silicone bed glazing provides superior weathertightness and durability.

L High-Performance glass options include:

- Low-E4® glass
- Low-E4 HeatLock® glass
- Low-E4 Sun glass
- Low-E4 SmartSun™ glass
- Low-E4 SmartSunHeatLock glass

Tempered glass and other glass options are available. Contact your Andersen supplier.

A removable translucent film helps shield the glass from damage during delivery and construction and simplifies finishing at the jobsite.

Patterned Glass

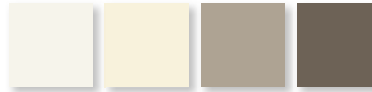
Patterned glass options are available. See page 10 for more details.

Hardware



New standard lock and keeper design provides an easy tilt-to-clean feature integrated into the lock.

EXTERIOR

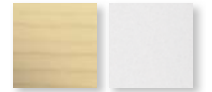


White Canvas Sandtone Terratone

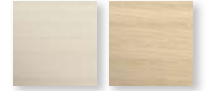


Forest Green Dark Bronze Black

INTERIOR



Pine White



Maple Oak

Naturally occurring variations in grain, color and texture of wood make each window one-of-a-kind. All wood interiors are unfinished unless prefinished White is specified.

HARDWARE FINISHES



Antique Brass Black Bright Brass Brushed Chrome Distressed Bronze Distressed Nickel



Gold Dust Oil Rubbed Bronze Polished Chrome Satin Nickel Stone White

Distressed bronze and oil rubbed bronze are "living" finishes that will change with time and use.

DOUBLE-HUNG HARDWARE

STANDARD

Lock & Keeper



Antique Brass | **Black** | Bright Brass
Brushed Chrome | Distressed Bronze
Distressed Nickel | Gold Dust | Oil Rubbed Bronze
Polished Chrome | Satin Nickel | Stone | White

OPTIONAL DOUBLE-HUNG LIFT HARDWARE**

CONTEMPORARY

Bar Lift



Antique Brass | Black | Bright Brass
Brushed Chrome | Distressed Bronze
Distressed Nickel | Gold Dust
Oil Rubbed Bronze | Polished Chrome
Satin Nickel | Stone | White

ESTATE™

Hand Lift

Finger Lifts



Antique Brass | Bright Brass
Brushed Chrome | Distressed Bronze
Distressed Nickel | Oil Rubbed Bronze
Polished Chrome | **Satin Nickel**

TRADITIONAL

Hand Lift

Finger Lifts

Bar Lift



Antique Brass | Black | Bright Brass | Brushed Chrome | Distressed Bronze | Distressed Nickel
Gold Dust | **Oil Rubbed Bronze** | Polished Chrome | Satin Nickel | Stone | White

CLASSIC SERIES™

Hand Lift

Finger Lifts

Bar Lift



Stone | **White**

Bold name denotes finish shown.

* Visit andersenwindows.com/warranty for details.

** Hardware sold separately.

Dimensions in parentheses are in millimeters.

Printing limitations prevent exact duplication of colors and finishes.

See your Andersen supplier for actual color and finish samples.

Exterior Stop Cover



An exterior stop cover provides a clean transition from new window to the existing window casing.

Sill Angles

Three sill angles are available — 0°, 8° and 14° — to closely match the existing sill in window replacement applications. See page 83 for more details.



0° Sill Angle



8° Sill Angle



14° Sill Angle

For more information about **glass, patterned glass, grilles and TruScene® insect screen** see pages 10-16.

For more information about **product performance, installation accessories and warranty** see pages 269-291 or visit

 andersenwindows.com

Sill Angle Finder App

Our *Sill Angle Finder App* lets you quickly and easily find the sill angle of existing double-hung windows. Available for free for both iPhone® and Android™ smartphones. Download app for iPhone from the App Store™ or for Android smartphones from the Google Play Store. The app is only available for smartphones, as tablets and other large devices are too bulky for measuring window sill angles.

Included Installation Materials



Flat, self-hanging shims, backer rod, installation screws and complete instructions are included with each insert window. Measurement guide and worksheet at andersenwindows.com/measure.

Sash Options*



Cottage Style

Reverse Cottage Style

ACCESSORIES Sold Separately

Frame

Wood Interior Stop



Optional interior stop with matching chamfer is available.

Sash

Window Opening Control Device Kit



A Window Opening Control Device Kit is available, which limits sash travel to less than 4" (102) when the window is first opened. Available in Stone and White.

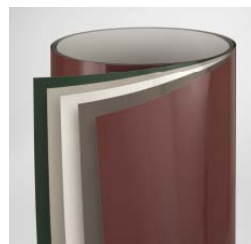
Security Sensors

Open/Closed Sensors

Wireless open/closed sensors are available in four colors. See page 30 for details.

Installation

Coil Stock



Andersen® aluminum coil stock can be ordered to match any of our 11 trim colors. Made from .019-gauge aluminum, Andersen coil stock is available in 24" (610) x 50' (15,240) rolls. Color-matched stainless steel trim nails 1 1/4" (32) long are also available and can be ordered in 1 lb. or 454 gram boxes.

Insect Screens

Insect Screen Frames



Choose full insect screen or half insect screen. Half insect screen (shown above) allows ventilation without affecting the view through the upper sash. Frames are available in colors to match product exteriors.

TruScene® Insect Screen

Exclusive Andersen® TruScene® insect screens provide over 50% more clarity than our conventional insect screens for a beautiful unobstructed view. They allow more fresh air and sunlight in, while doing a better job of keeping out small insects.

Conventional Insect Screen

Conventional insect screens have charcoal powder-coated aluminum screen mesh.

Grilles

Grilles are available in a variety of configurations and widths. For double-hung grille patterns, see page 84.

CAUTION:

- Painting and staining may cause damage to rigid vinyl.
- Do not paint 400 Series windows with White, Canvas, Sandtone, Forest Green, Dark Bronze or Black exterior colors.
- Andersen does not warrant the adhesion or performance of homeowner-applied paint over vinyl or other factory-coated surfaces.
- 400 Series windows in Terratone color may be painted any color lighter than Terratone color using quality oil-base or latex paint.
- For vinyl painting instructions and preparation, contact your Andersen supplier.
- Do not paint weatherstripping.
- Creosote-based stains should not come in contact with Andersen products.
- Abrasive cleaners or solutions containing corrosive solvents should not be used on Andersen products.

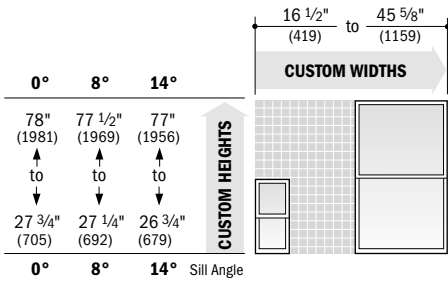
* Shown on 400 Series Tilt-Wash double-hung full-frame windows. Dimensions in parentheses are in millimeters.

"iPhone" and "App Store" are registered trademarks of Apple Inc. "Android" is a trademark of Google Inc.

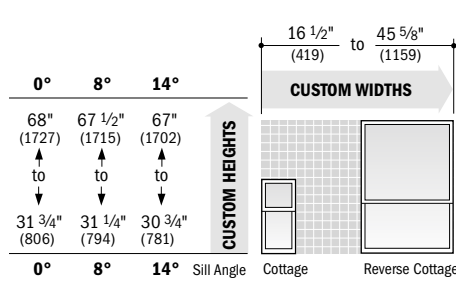
WOODWRIGHT® DOUBLE-HUNG INSERT WINDOWS

Woodwright® Double-Hung Insert Window Sizes

Double-Hung - Equal Sash

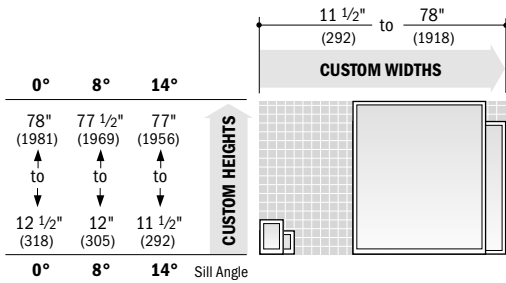


Double-Hung - 2:3 Cottage & 3:2 Reverse Cottage Sash

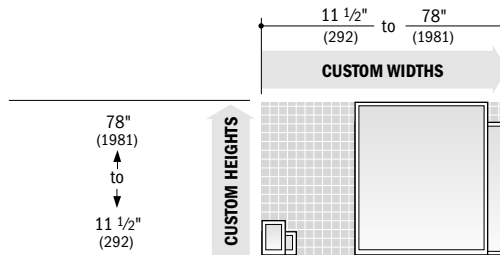


Available in 1/8" (3) increments between minimum and maximum widths and heights. Height limits for double-hung and picture insert windows depend on new insert window sill angle.

Picture



Transom



For picture and transom insert windows, either height or width must be 68" (1727) or less and height plus width cannot be less than 28" (711).

Woodwright® Double-Hung Insert Window Specification Formulas

Clear Opening	Width = window width - 3.4375" (87)				
	Height = Depends on sash ratio and specific sill angle of insert window, see below.				
	sash ratio	clear opening height	sill angle deduction		
			14°	8°	0°
	1:1 Equal	= (window height ÷ 2) - sill angle deduction	3.1875" (81)	3.4375" (87)	3.75" (95)
	2:3 Cottage	= (window height x 2) ÷ 5 - sill angle deduction	2.875" (73)	3.0625" (78)	3.25" (83)
3:2 Reverse Cottage	= (window height x 2) ÷ 5 - sill angle deduction	2.375" (60)	2.5625" (65)	2.8125" (71)	
Vent Opening	Width = window width - 3.4375" (87)				
	Height = Depends on sash ratio and specific sill angle of insert window, see below.				
	sash ratio	vent opening height	sill angle deduction		
			14°	8°	0°
	Equal, Height < 48" (1219)	= ((window height ÷ 2) - sill angle deduction) - 6.5" (165)	2.75" (70)	2.9375" (75)	3.25" (83)
	Equal, Height > 48" (1219)	= ((window height ÷ 2) - sill angle deduction) - 11.5" (292)			
	Cottage, Height < 48" (1219)	= ((window height x 2) ÷ 5 - sill angle deduction) - 6.5" (165)	1.9375" (49)	2.125" (54)	2.375" (60)
	Cottage, Height > 48" (1219)	= ((window height x 2) ÷ 5 - sill angle deduction) - 11.5" (292)			
Reverse Cottage, Height < 48" (1219)	= ((window height x 2) ÷ 5 - sill angle deduction) - 6.5" (165)	3.5625" (90)	3.8125" (97)	4.8125" (122)	
Reverse Cottage, Height > 48" (1219)	= ((window height x 2) ÷ 5 - sill angle deduction) - 11.5" (292)				
Unobstr. Glass	Width = window width - 6.0" (152)				
	Height = Depends on sash ratio and specific sill angle of insert window, see below.				
	sash ratio	unobstructed glass height	sill angle deduction		
			14°	8°	0°
	Equal - Upper and Lower Sash	= window height - sill angle deduction	7.875" (200)	8.375" (213)	9.0" (229)
	Cottage - Upper Sash or Reverse Cottage - Lower Sash	= (window height x 2) ÷ 5 - sill angle deduction	3.1875" (81)	3.375" (86)	3.625" (92)
Cottage - Lower Sash or Reverse Cottage - Upper Sash	= (window height x 2) ÷ 5 - sill angle deduction	4.75" (121)	5.0625" (129)	5.4375" (138)	

Woodwright® Picture and Transom Insert Window Specification Formulas

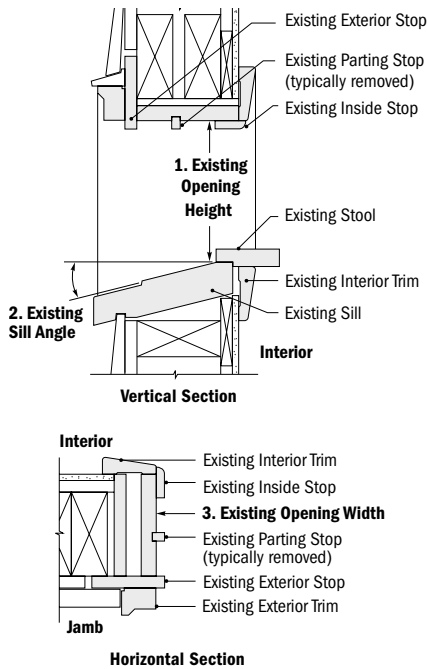
Unobstr. Glass	Picture Insert				Transom Insert			
	Width = window width - 6.0" (152)				Width = window width - 6.0" (152)			
	Height = Depends on sash ratio and specific sill angle of insert window, see below.				Height = window width - 6.0" (152)			
	unobstructed glass height	sill angle deductions			unobstructed glass height	sill angle deductions		
		14°	8°	0°		14°	8°	0°
	= window height - sill angle deduction	5.816" (148)	6.285" (160)	6.890" (175)				

- Dimensions in parentheses are in millimeters.
- **Clear Opening** formulas provide dimensions for determining area available for egress. **Vent Opening** formulas provide dimensions for determining area available for passage of air. **Unobstr. Glass** (unobstructed glass) formulas provide dimensions for determining area available for passage of light.
- Refer to andersenwindows.com/measure for detailed instructions on how to properly measure for insert windows.

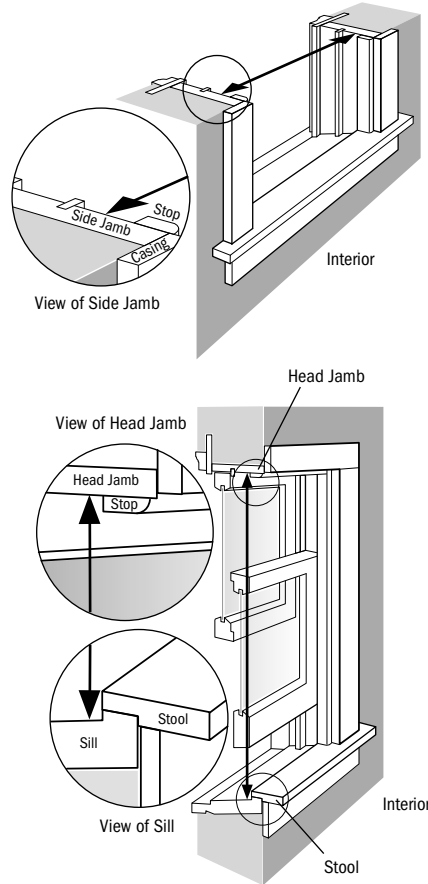
Existing Window Measurements

Required measurements:

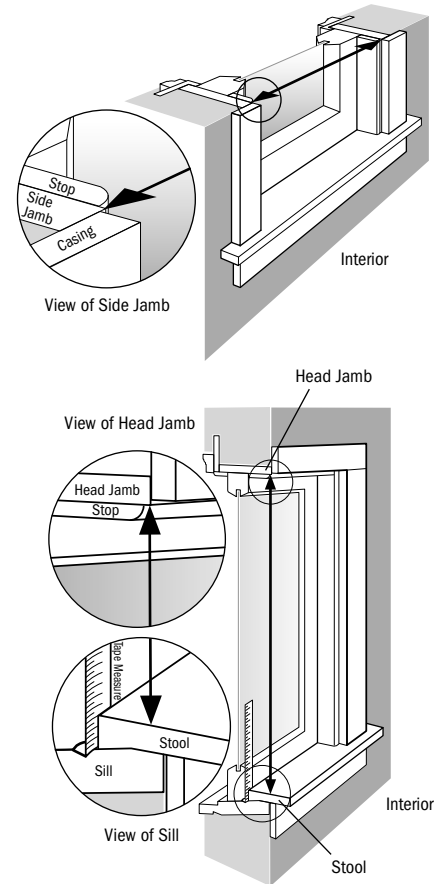
1. Existing Opening Height
2. Existing Sill Angle
3. Existing Opening Width



Existing Double-Hung Window



Existing Picture Window



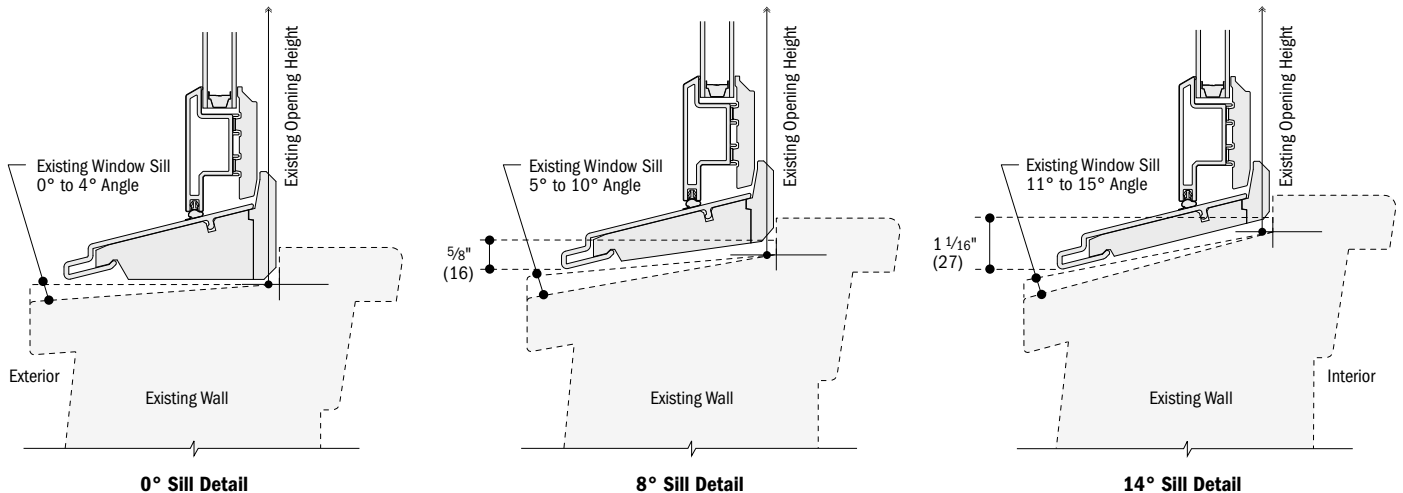
Sill Angle Details

Scale 3" (76) = 1'-0" (305) – 1:4

Select a sill angle that most closely matches your existing sill angle.

Windows with a smaller sill angle will have a larger maximum height.

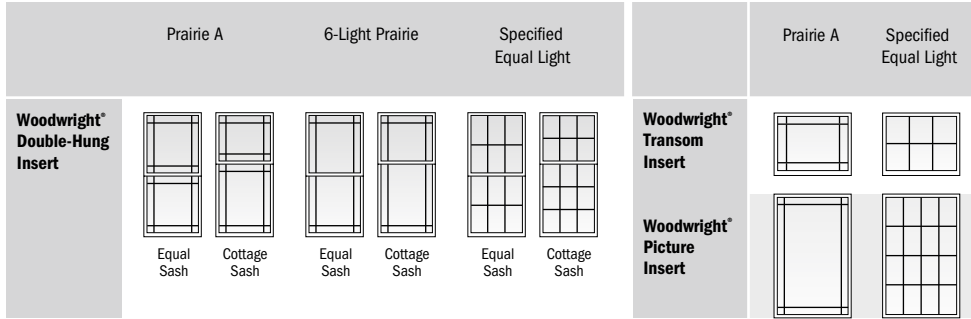
A "Sill Angle Finder App" is available, see page 81.



- Details are for illustration only and are not intended to represent product installation methods or materials. Refer to product installation guides at andersenwindows.com.
- Dimensions in parentheses are in millimeters.
- Refer to andersenwindows.com/measure for detailed instructions on how to properly measure for insert windows.

WOODWRIGHT® DOUBLE-HUNG INSERT WINDOWS

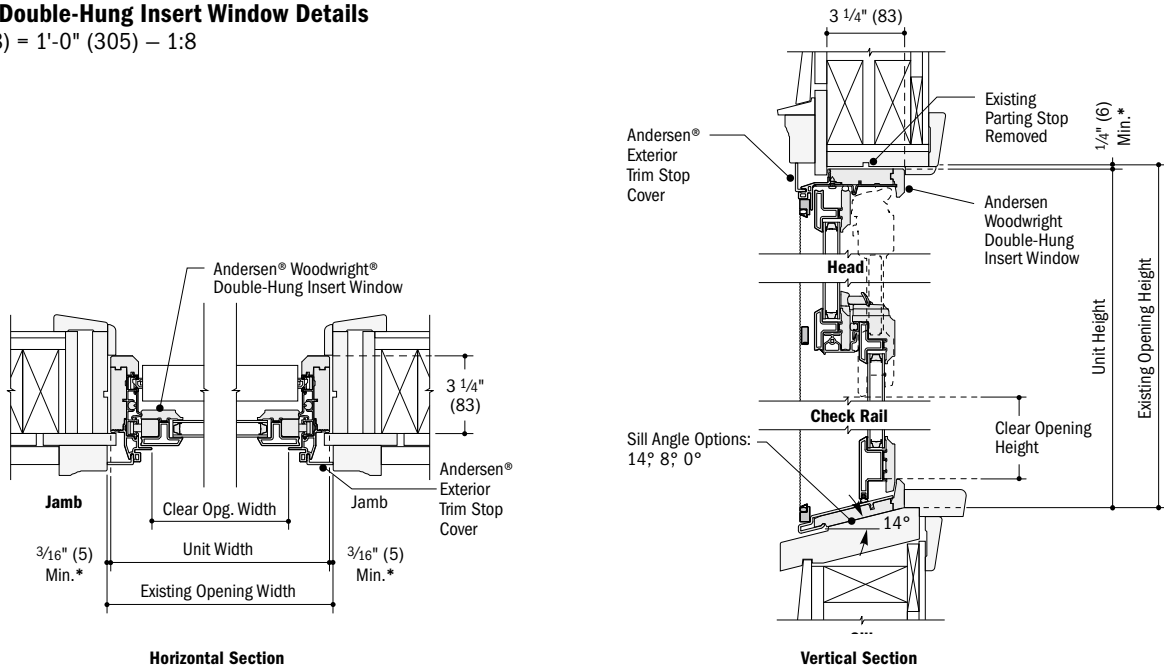
Grille Patterns



Patterns for double-hung windows are also available in Upper Sash Only (USO) configurations. For picture window patterns that require alignment with double-hung window patterns, identify the sash style (equal, cottage, reverse cottage) when ordering. **Number of lights and overall pattern varies with window size. Patterns are not available in all configurations.** For more information on divided light, see page 11 or visit andersenwindows.com/grilles.

Woodwright® Double-Hung Insert Window Details

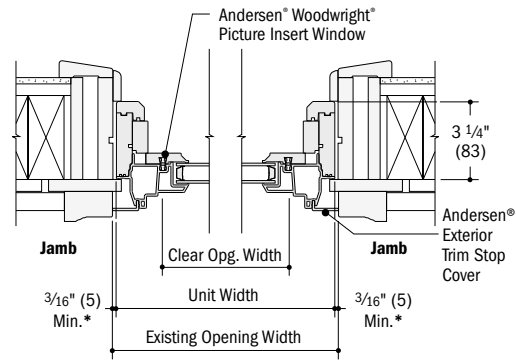
Scale 1 1/2" (38) = 1'-0" (305) – 1:8



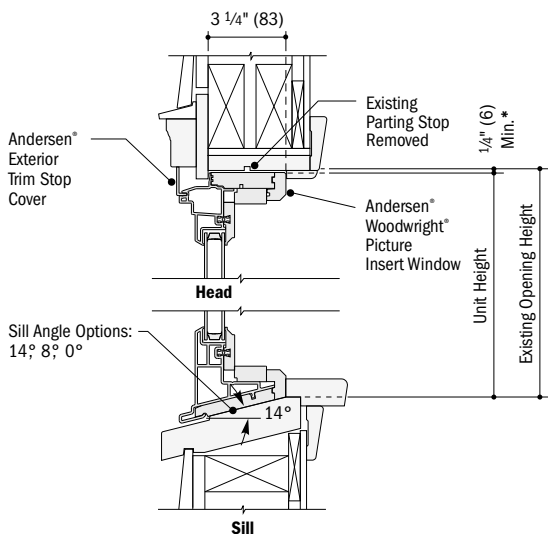
• Light-colored areas are parts included with window. Dark-colored areas are additional Andersen® parts required to complete window assembly as shown.
 • Details are for illustration only and are not intended to represent product installation methods or materials. Refer to product installation guides at andersenwindows.com.
 • Dimensions in parentheses are in millimeters.
 *Refer to andersenwindows.com/measure for detailed instructions on how to properly measure for insert windows.

Woodwright® Picture Insert Window Details

Scale 1 1/2" (38) = 1'-0" (305) – 1:8



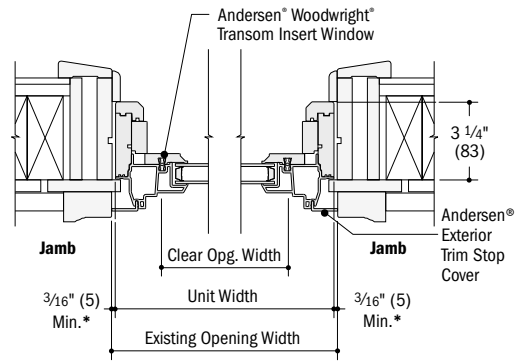
Horizontal Section



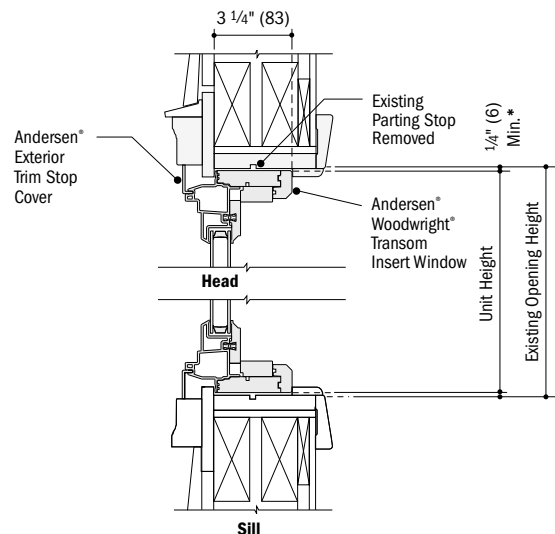
Vertical Section

Woodwright® Transom Insert Window Details

Scale 1 1/2" (38) = 1'-0" (305) – 1:8



Horizontal Section

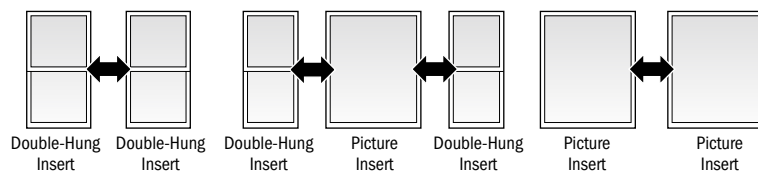
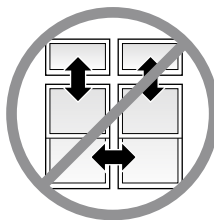
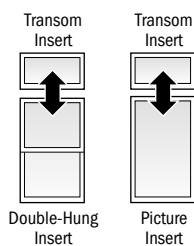


Vertical Section

Joining Combinations

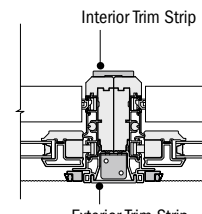
Join insert windows in 1-way horizontal (stack) or vertical (ribbon) combinations.

Do not join insert windows in 2-way combinations.



Vertical (ribbon) Joining Detail

Scale 1 1/2" (38) = 1'-0" (305) – 1:8



Horizontal Section

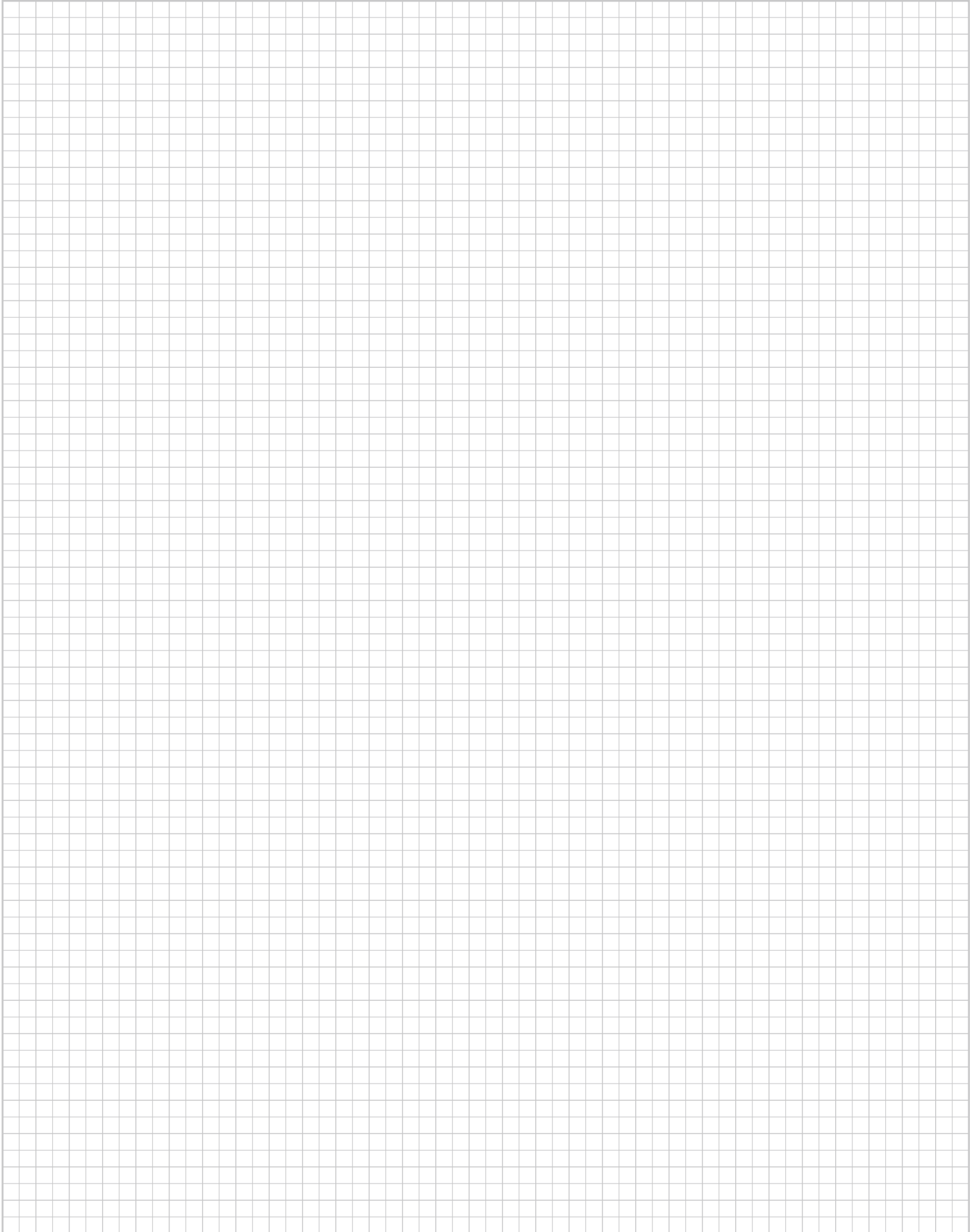
Woodwright® Double-Hung Insert to Woodwright® Double-Hung Insert

For more joining information, see the combination designs section starting on page 255.

• Light-colored areas are parts included with window. Dark-colored areas are additional Andersen® parts required to complete window assembly as shown.
• Details are for illustration only and are not intended to represent product installation methods or materials. Refer to product installation guides at andersenwindows.com.
• Dimensions in parentheses are in millimeters.
*Refer to andersenwindows.com/measure for detailed instructions on how to properly measure for insert windows.

400 Series
Woodwright® Double-Hung
Insert Windows

WOODWRIGHT® DOUBLE-HUNG INSERT WINDOWS



TILT-WASH DOUBLE-HUNG FULL-FRAME WINDOWS

CUSTOM SIZING
in 1/8" (3) increments



400 Series
Tilt-Wash Double-Hung
Full-Frame Windows

SECTION REFERENCE

Tables of Sizes	90-93
Specifications	91-95
Grille Patterns	96
Window Details	96-97
Joining Details.....	97
Custom Sizing.....	98
Conversion Kits.....	99
Combination Designs	255
Product Performance.....	269
Warranty	290-291

Dimensions in parentheses are in millimeters.

TILT-WASH DOUBLE-HUNG FULL-FRAME WINDOWS

FEATURES

Frame

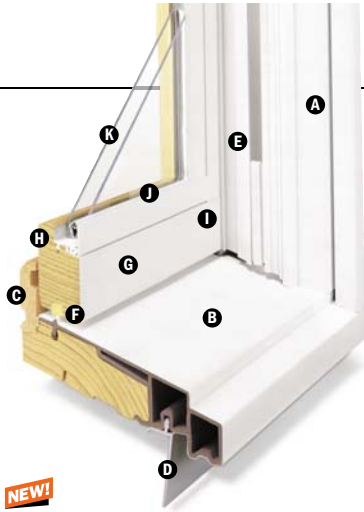
A Exterior outer frame members are covered with a Perma-Shield® rigid vinyl cladding, minimizing maintenance and providing an attractive appearance.

B For exceptionally long-lasting* performance, sill members are constructed with a wood core and a Fibrex® material exterior. Sill ends are protected and sealed with weather-resistant covers.

C Natural wood stops are available in pine and prefinished White, Dark Bronze and Black.** A new, taller sill stop increases performance to PG40 while still maintaining egress on our most popular sizes.

D A factory-applied rigid vinyl anchoring flange on the head, sill and sides of the outer frame helps secure the unit to the structure.

E An extruded rigid vinyl jamb liner and fin provide a protective seal against the outer frame members. Exclusive slide wash assists make it easy to tilt sash into wash mode position.



NEW!

Jamb liners available in white or gray and must be specified when ordering. Contact your Andersen supplier for details.

F Weatherstripping throughout the unit provides a long-lasting,* energy-efficient, weather-resistant seal. For the top and bottom rails, an encased foam material is used. The head jamb liner and sill have a rigid vinyl rib that the weatherstripping material compresses against. At the check rail, compressible vinyl bulb material is used. Side jamb liners use leaf-type weatherstripping with foam inserts.

Sash

H Wood sash members are treated with a water-repellent preservative for long-lasting* protection and performance. Interior surfaces are unfinished pine. Low-maintenance prefinished White interiors are also available.

G A polyester-stabilized coat with a Flexacron® finish is electrostatically applied to penetrate all exterior surfaces for maximum protection and a lustrous finish.

I Sash joints simulate the look of traditional mortise-and-tenon construction inside and out.



Unique block-and-tackle balancers feature sized-to-the-unit, rust-resistant springs that require no adjustment. Glass-reinforced nylon balancer shoes provide smooth, reliable sash operation. Sash can be removed, without tools, for drywall pass-through.

DOUBLE-HUNG STANDARD & OPTIONAL HARDWARE

STANDARD

Lock & Keeper



Black | Gold Dust | **Stone** | White

Stone is standard with natural interior units. White comes with prefinished White interiors. Other finishes optional.

CONTEMPORARY

Bar Lift



Antique Brass | Black | Bright Brass
Brushed Chrome | Distressed Bronze
Distressed Nickel | Gold Dust
Oil Rubbed Bronze | Polished Chrome
Satin Nickel | Stone | White

ESTATE™

Lock & Keeper



Optional Estate lock & keeper reduces the clear opening height by 3/8" (14). Check with local building code officials to determine compliance with egress requirements.

Hand Lift

Finger Lifts



Antique Brass | Bright Brass
Brushed Chrome | Distressed Bronze
Distressed Nickel | Oil Rubbed Bronze
Polished Chrome | **Satin Nickel**

Bold name denotes finish shown.

Glass

J Silicone bed glazing provides superior weathertightness and durability.

K High-Performance glass options include: Low-E4®, Low-E4 HeatLock®, Low-E4 Sun, Low-E4 SmartSun™ and Low-E4 SmartSun HeatLock glass.

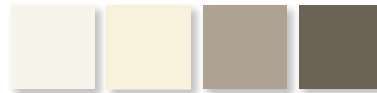
Tempered glass and other glass options are available. Contact your Andersen supplier.

A removable translucent film helps shield the glass from damage during delivery and construction and simplifies finishing at the jobsite.

Patterned Glass

Patterned glass options are available. See page 10 for more details.

EXTERIOR



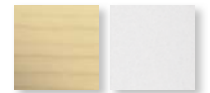
White | Canvas | Sandtone | Terratone



Forest Green | Dark Bronze | Black

Naturally occurring variations in grain, color and texture of wood make each window one-of-a-kind. All wood interiors are unfinished unless a prefinished option is specified.

INTERIOR



Pine | White



Dark Bronze** | Black**

HARDWARE FINISHES



Antique Brass | Black | Bright Brass | Brushed Chrome | Distressed Bronze | Distressed Nickel



Gold Dust | Oil Rubbed Bronze | Polished Chrome | Satin Nickel | Stone | White

Distressed bronze and oil rubbed bronze are "living" finishes that will change with time and use. Printing limitations prevent exact duplication of colors and finishes. See your Andersen supplier for actual color and finish samples.

Estate™ lock & keeper and all lifts are sold separately.

TRADITIONAL

Hand Lift

Finger Lifts

Bar Lift



Antique Brass | Black | Bright Brass | Brushed Chrome
Distressed Bronze | Distressed Nickel | Gold Dust | **Oil Rubbed Bronze**
Polished Chrome | Satin Nickel | Stone | White

CLASSIC SERIES™

Hand Lift

Finger Lifts

Bar Lift



Stone | **White**

* Visit andersenwindows.com/warranty or for details.

** Dark Bronze and Black interiors are only available with Dark Bronze and Black exteriors respectively. "Flexacron" is a registered trademark of PPG Industries, Inc. Dimensions in parentheses are in millimeters.

StormWATCH PROTECTION

400 Series tilt-wash double-hung full-frame windows are available with Stormwatch® protection. Visit andersenwindows.com/coastal for more details.

Performance Grade (PG) Upgrade

A high inside sill stop* and interior/exterior brackets are available to provide additional structural support for tilt-wash units, allowing standard glass units to achieve higher performance grade ratings. Performance Grade (PG) Ratings replace Design Pressure (DP) Ratings for measuring product performance. For up-to-date performance information of individual products, please visit andersenwindows.com. Use of this option will subtract 3/8" (15) from clear opening height. PG Upgrade not available for 72" (1829) and 76" (1930) heights.

Sash Options



Cottage Style

Reverse Cottage Style

For more information about glass, patterned glass, art glass, grilles and TruScene® insect screen see pages 10-17.

For more information about combination designs, product performance, installation accessories and warranty see pages 255-291 or visit

 andersenwindows.com

ACCESSORIES Sold Separately

Frame

Extension Jamb



Standard jamb depth is 4 1/2" (114). Extension jamb are available in unfinished pine or prefinished White. Some sizes may be veneered.

Factory-applied and non-applied interior extension jamb are available in 1/16" (1.5) increments between 5 1/16" (129) and 7 7/8" (181). Extension jamb can be factory-applied to either three sides (stool and apron application) or four sides (picture frame casing).

Pine Stool



A clear pine stool is available and ready for finishing. The tilt-wash stool is available in 4 9/16" (116) for use in wall depths up to 5 1/4" (133), and 6 5/16" (167) for use in wall depths up to 7 7/8" (181). Works with 2 1/4" (57) and 2 1/2" (64) wide casings.

Sash

Window Opening Control Device



A new recessed window opening control device is available factory-applied. It limits the sash travel to 4" (102) when the window is first opened. Available in Stone, White and Black.

Security Sensors

VeriLock® Sensors

VeriLock sensors are available in five colors. See page 30 for details.

Open/Closed Sensors

Wireless open/closed sensors are available in four colors. See page 30 for details.

* Infringes on the overall net clear opening. Unit clear operable area may not meet egress requirements. See your local building code official for more information. ** Do not add combination units to windows with Low-E4® Sun glass, unless window glass is tempered. Application of combination units may affect the performance of Low-E4 and Low-E4 SmartSun™ glass exterior coating. Combination units may also reduce the overall clear operable area of the window. See your local code official for egress requirements in your area. †Values are based on comparison of Andersen® double-hung window conversion kit U-Factor to the U-Factor for clear dual-pane glass non-metal frame default values from the 2006, 2009, 2012, 2015 and 2018 International Energy Conservation Code "Glazed Fenestration" Default Tables. Dimensions in parentheses are in millimeters.

Glass

Andersen® Art Glass

Available for 400 Series tilt-wash transom and picture units. Andersen art glass panels come in a variety of original patterns. See pages 213-214 for details on Andersen art glass. Visit andersenwindows.com/artglass for details and pattern information.

Storm/Insect Screen Combination Unit**



A self-storing storm window combined with an insect screen provides greater energy efficiency, while allowing ventilation when needed. They can be easily installed on the exterior of most 400 Series full-frame double-hung windows. Also available for 200 Series Narroline® double-hung windows (made from 1968 to 2013).

Available in White, Sandtone and Terratone colors to match product exteriors. Canvas, Forest Green, Dark Bronze and Black available by special order.

Construction

Constructed with an aluminum frame, single-pane upper and lower glass panels and charcoal powder-coated aluminum screen mesh.

Energy Efficiency

400 Series tilt-wash double-hung windows with Low-E4® glass and combination unit is 60% more energy efficient in winter and 57% more energy efficient in summer compared to ordinary dual-pane glass.†

Sound Reduction

Combination units can improve Sound Transmission Class (STC) and Outdoor Indoor Transmission Class (OITC) ratings. Ideal for projects near airports, busy roadways or other noisy environments.

For example, adding a combination unit to a 400 Series tilt-wash double-hung (3862) unit with Low-E4® glass will improve its STC rating from 26 to 32. Contact your Andersen supplier for additional STC and OITC rating information.

Insect Screens

Insect Screen Frames



Choose full insect screen or half insect screen. Frame colors match product exteriors. Half insect screen (shown above) allows ventilation without affecting the view through the upper sash. They are available for most unit sizes and are not available on windows with Stormwatch protection.

TruScene® Insect Screen

Exclusive Andersen® TruScene® insect screens provide over 50% more clarity than our conventional insect screens for a beautiful unobstructed view. They allow more fresh air and sunlight in, while doing a better job of keeping out small insects.

Conventional Insect Screen

Conventional insect screens have charcoal powder-coated aluminum screen mesh.

Grilles

Grilles are available in a variety of configurations and widths. For double-hung grille patterns, see page 96.

Exterior Trim

This product is available with Andersen® Exterior Trim. See pages 215-220 for details.

CAUTION:

- Painting and staining may cause damage to rigid vinyl.
- Do not paint 400 Series windows with White, Canvas, Sandtone, Forest Green, Dark Bronze or Black exterior colors.
- Andersen does not warrant the adhesion or performance of homeowner-applied paint over vinyl or other factory-coated surfaces.
- 400 Series windows in Terratone color may be painted any color lighter than Terratone color using quality oil-base or latex paint.
- For vinyl painting instructions and preparation, contact your Andersen supplier.
- Do not paint weatherstripping.
- Creosote-based stains should not come in contact with Andersen products.
- Abrasive cleaners or solutions containing corrosive solvents should not be used on Andersen products.

TILT-WASH DOUBLE-HUNG FULL-FRAME WINDOWS

Table of Tilt-Wash Double-Hung Window Sizes

Scale 1/8" (3) = 1'-0" (305) – 1:96

Window Dimension	1'-9 5/8"	2'-1 5/8"	2'-5 5/8"	2'-7 5/8"	2'-9 5/8"	2'-11 5/8"	3'-1 5/8"	3'-5 5/8"	3'-9 5/8"
	(549)	(651)	(752)	(803)	(854)	(905)	(956)	(1057)	(1159)
Minimum Rough Opening	1'-10 1/8"	2'-2 1/8"	2'-6 1/8"	2'-8 1/8"	2'-10 1/8"	3'-0 1/8"	3'-2 1/8"	3'-6 1/8"	3'-10 1/8"
	(562)	(664)	(765)	(816)	(867)	(917)	(968)	(1070)	(1172)
Unobstructed Glass (lower sash only)	15"	19"	23"	25"	27"	29"	31"	35"	39"
	(381)	(483)	(584)	(635)	(686)	(737)	(787)	(889)	(991)



CUSTOM WIDTHS – 21 5/8" to 45 5/8"

CUSTOM HEIGHTS – 36 7/8" to 92 7/8"	CUSTOM WIDTHS – 21 5/8" to 45 5/8"								
	21 5/8"	24 1/8"	26 5/8"	29 1/8"	31 5/8"	34 1/8"	36 5/8"	39 1/8"	41 5/8"
3'-0 7/8" (937)	TW18210	TW20210	TW24210	TW26210	TW28210	TW210210	TW30210	TW34210	TW38210
3'-4 7/8" (1038)	TW1832	TW2032	TW2432	TW2632	TW2832	TW21032	TW3032	TW3432	TW3832
3'-8 7/8" (1140)	TW1836	TW2036	TW2436	TW2636	TW2836	TW21036	TW3036	TW3436	TW3836
4'-0 7/8" (1241)	TW18310	TW20310	TW24310	TW26310	TW28310	TW210310	TW30310	TW34310	TW38310
4'-4 7/8" (1343)	TW1842	TW2042	TW2442	TW2642	TW2842	TW21042	TW3042	TW3442	TW3842
4'-8 7/8" (1445)	TW1846	TW2046	TW2446	TW2646	TW2846	TW21046	TW3046 ^o	TW3446 ^o	TW3846 ^o
5'-0 7/8" (1546)	TW18410	TW20410	TW24410	TW26410	TW28410	TW210410 ^o	TW30410 ^o	TW34410 ^o	TW38410 ^o
5'-4 7/8" (1648)	TW1852	TW2052	TW2452	TW2652	TW2852 ^o	TW21052 ^o	TW3052 ^o	TW3452 ^o	TW3852 ^o
5'-8 7/8" (1749)	TW1856	TW2056	TW2456	TW2656 ^o	TW2856 ^o	TW21056 ^o	TW3056 ^o	TW3456 ^o	TW3856 ^o
6'-0 7/8" (1851)	TW18510	TW20510	TW24510 ^o	TW26510 ^o	TW28510 ^o	TW210510 ^o	TW30510 ^o	TW34510 ^o	TW38510 ^o
6'-4 7/8" (1953)	TW1862	TW2062	TW2462 ^o	TW2662 ^o	TW2862 ^o	TW21062 ^o	TW3062 ^o	TW3462 ^o	TW3862 ^o

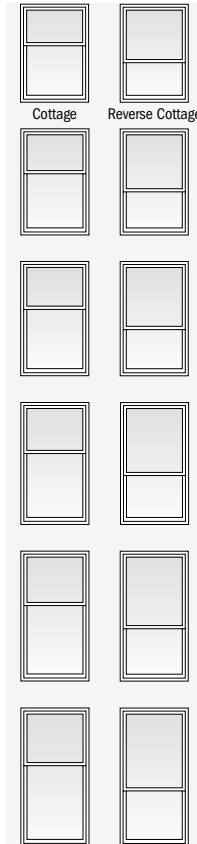
Custom-size windows are available in 1/8" (3) increments. See page 98 for custom sizing.

Grille patterns shown on page 96.

Cottage or reverse cottage sash ratio available for heights shown below in all widths.

CUSTOM WIDTHS – 21 5/8" to 45 5/8"

CUSTOM HEIGHTS – 48 7/8" to 76 7/8"



Size tables for windows with cottage or reverse cottage sash are now available on andersenwindows.com.

- "Window Dimension" always refers to outside frame to frame dimension.
- "Minimum Rough Opening" dimensions may need to be increased to allow for use of building wraps, flashing, sill panning, brackets, fasteners or other items. See pages 288-289 for more details.
- Dimensions in parentheses are in millimeters.
- ^o Meet or exceed clear opening area of 5.7 sq.ft. or 0.53 m², clear opening width of 20" (508) and clear opening height of 24" (610). See tables on pages 94-95.

continued on next page

Table of Tilt-Wash Double-Hung Window Sizes (continued)

Scale 1/8" (3) = 1'-0" (305) – 1:96

Window Dimension	1'-9 5/8" (549)	2'-1 5/8" (651)	2'-5 5/8" (752)	2'-7 5/8" (803)	2'-9 5/8" (854)	2'-11 5/8" (905)	3'-1 5/8" (956)	3'-5 5/8" (1057)	3'-9 5/8" (1159)
Minimum Rough Opening	1'-10 1/8" (562)	2'-2 1/8" (664)	2'-6 1/8" (765)	2'-8 1/8" (816)	2'-10 1/8" (867)	3'-0 1/8" (917)	3'-2 1/8" (968)	3'-6 1/8" (1070)	3'-10 1/8" (1172)
Unobstructed Glass (lower sash only)	15" (381)	19" (483)	23" (584)	25" (635)	27" (686)	29" (737)	31" (787)	35" (889)	39" (991)

CUSTOM WIDTHS – 21 5/8" to 45 5/8"

7'-4 7/8" (2257) 7'-4 7/8" (2257) 39 15/16" (1014)									
	TW1872	TW2072°	TW2472°	TW2672°	TW2872°	TW21072°	TW3072°	TW3472°	TW3872°
7'-8 7/8" (2359) 7'-8 7/8" (2359) 41 15/16" (1065)									
	TW1876	TW2076°	TW2476°	TW2676°	TW2876°	TW21076°	TW3076°	TW3476°	TW3876°

CUSTOM HEIGHTS – 36 7/8" to 92 7/8"

- "Window Dimension" always refers to outside frame to frame dimension.
- "Minimum Rough Opening" dimensions may need to be increased to allow for use of building wraps, flashing, sill panning, brackets, fasteners or other items. See pages 288-289 for more details.
- Dimensions in parentheses are in millimeters.
- ◊ Meet or exceed clear opening area of 5.7 sq.ft. or 0.53 m², clear opening width of 20" (508) and clear opening height of 24" (610). See tables on pages 94-95.



Custom-size windows are available in 1/8" (3) increments. See page 98 for custom sizing.

Windows 7'-4 7/8" (2257) and 7'-8 7/8" (2359) high have interior and exterior brackets. Interior brackets, located on both sides of the check rail, must be flipped up for proper product performance. Andersen® reinforced joining materials must be used when vertically joining 7'-4 7/8" (2257) and 7'-8 7/8" (2359) high windows.

Grille patterns shown on page 96.

Tilt-Wash Transom Window Area Specifications

Window Number	Glass Area Sq. Ft./ (m ²)	Overall Window Area Sq. Ft./ (m ²)
TWT1810	0.56 (0.05)	1.80 (0.17)
TWT1815	1.32 (0.12)	2.90 (0.27)
TWT1817	1.52 (0.14)	3.20 (0.30)
TWT18111	1.94 (0.18)	3.80 (0.35)
TWT1821	2.15 (0.20)	4.10 (0.38)
TWT1823	2.35 (0.22)	4.40 (0.41)
TWT1827	2.77 (0.26)	5.00 (0.47)
TWT1831	3.39 (0.32)	5.90 (0.55)
TWT2010	0.70 (0.07)	2.14 (0.20)
TWT2015	1.67 (0.16)	3.44 (0.32)
TWT2017	1.93 (0.18)	3.79 (0.35)
TWT20111	2.46 (0.23)	4.50 (0.42)
TWT2021	2.72 (0.25)	4.86 (0.45)
TWT2023	2.98 (0.28)	5.22 (0.49)
TWT2027	3.51 (0.33)	5.93 (0.55)
TWT2031	4.30 (0.40)	7.00 (0.65)
TWT2410	0.85 (0.08)	2.47 (0.23)
TWT2415	2.02 (0.19)	3.97 (0.37)
TWT2417	2.34 (0.22)	4.38 (0.41)
TWT24111	2.98 (0.28)	5.21 (0.48)
TWT2421	3.29 (0.31)	5.62 (0.52)
TWT2423	3.61 (0.34)	6.03 (0.56)
TWT2427	4.25 (0.40)	6.85 (0.64)
TWT2431	5.21 (0.48)	8.09 (0.75)
TWT2610	0.93 (0.09)	2.64 (0.25)
TWT2615	2.19 (0.20)	4.24 (0.39)
TWT2617	2.54 (0.24)	4.68 (0.44)

Window Number	Glass Area Sq. Ft./ (m ²)	Overall Window Area Sq. Ft./ (m ²)
TWT26111	3.23 (0.30)	5.56 (0.52)
TWT2621	3.58 (0.33)	6.00 (0.56)
TWT2623	3.93 (0.37)	6.44 (0.60)
TWT2627	4.62 (0.43)	7.32 (0.68)
TWT2631	5.66 (0.53)	8.63 (0.80)
TWT2810	1.00 (0.09)	2.80 (0.26)
TWT2815	2.37 (0.22)	4.51 (0.42)
TWT2817	2.74 (0.26)	4.98 (0.46)
TWT28111	3.49 (0.32)	5.91 (0.55)
TWT2821	3.87 (0.36)	6.38 (0.59)
TWT2823	4.24 (0.39)	6.84 (0.64)
TWT2827	4.99 (0.46)	7.78 (0.72)
TWT2831	6.12 (0.57)	9.18 (0.85)
TWT21010	1.07 (0.10)	2.97 (0.28)
TWT21015	2.55 (0.24)	4.78 (0.44)
TWT21017	2.95 (0.27)	5.27 (0.49)
TWT210111	3.75 (0.35)	6.26 (0.58)
TWT21021	4.15 (0.39)	6.76 (0.63)
TWT21023	4.56 (0.42)	7.25 (0.67)
TWT21027	5.36 (0.50)	8.24 (0.77)
TWT21031	6.57 (0.61)	9.73 (0.90)
TWT3010	1.15 (0.11)	3.14 (0.29)
TWT3015	2.72 (0.25)	5.05 (0.47)
TWT3017	3.15 (0.29)	5.57 (0.52)
TWT30111	4.01 (0.37)	6.61 (0.61)
TWT3021	4.44 (0.41)	7.14 (0.66)
TWT3023	4.87 (0.45)	7.66 (0.71)

Window Number	Glass Area Sq. Ft./ (m ²)	Overall Window Area Sq. Ft./ (m ²)
TWT3027	5.73 (0.53)	8.70 (0.81)
TWT3031	7.02 (0.65)	10.27 (0.95)
TWT3410	1.30 (0.12)	3.47 (0.32)
TWT3415	3.07 (0.29)	5.58 (0.52)
TWT3417	3.56 (0.33)	6.16 (0.57)
TWT34111	4.53 (0.42)	7.32 (0.68)
TWT3421	5.02 (0.47)	7.89 (0.73)
TWT3423	5.50 (0.51)	8.47 (0.79)
TWT3427	6.47 (0.60)	9.63 (0.90)
TWT3431	7.93 (0.74)	11.36 (1.06)
TWT3810	1.45 (0.14)	3.80 (0.35)
TWT3815	3.42 (0.32)	6.12 (0.57)
TWT3817	3.97 (0.37)	6.75 (0.63)
TWT38111	5.05 (0.47)	8.02 (0.75)
TWT3821	5.59 (0.52)	8.65 (0.80)
TWT3823	6.13 (0.57)	9.29 (0.86)
TWT3827	7.21 (0.67)	10.55 (0.98)
TWT3831	8.84 (0.82)	12.46 (1.16)
TWT31010	1.51 (0.14)	3.94 (0.37)
TWT4210	1.66 (0.15)	4.28 (0.40)
TWT41010	1.95 (0.18)	4.94 (0.46)
TWT5610	2.25 (0.21)	5.61 (0.52)
TWT6210	2.55 (0.24)	6.28 (0.58)

• Dimensions in parentheses are in square meters.

400 Series Tilt-Wash Double-Hung Full-Frame Windows

TILT-WASH DOUBLE-HUNG FULL-FRAME WINDOWS

Table of Tilt-Wash Transom Window Sizes

Scale 1/8" = 1'-0" (1:96)

Window Dimension	1'-9 5/8"	2'-1 5/8"	2'-5 5/8"	2'-7 5/8"	2'-9 5/8"	2'-11 5/8"	3'-1 5/8"	3'-5 5/8"	3'-9 5/8"	3'-11 5/16"	4'-3 5/16"
	(549)	(651)	(752)	(803)	(854)	(905)	(956)	(1057)	(1159)	(1202)	(1303)
Minimum Rough Opening	1'-10 1/8"	2'-2 1/8"	2'-6 1/8"	2'-8 1/8"	2'-10 1/8"	3'-0 1/8"	3'-2 1/8"	3'-6 1/8"	3'-10 1/8"	3'-11 7/8"	4'-3 7/8"
	(562)	(664)	(765)	(816)	(867)	(917)	(968)	(1070)	(1172)	(1215)	(1318)
Unobstructed Glass	15"	19"	23"	25"	27"	29"	31"	35"	39"	40 11/16"	44 11/16"
	(380)	(482)	(583)	(635)	(685)	(737)	(787)	(888)	(990)	(1033)	(1135)

CUSTOM WIDTHS – 21 5/8" to 75 5/16"

CUSTOM HEIGHTS – 12" to 39 5/16"	CUSTOM WIDTHS – 21 5/8" to 75 5/16"										
1'-0" (305)	TWT1810	TWT2010	TWT2410	TWT2610	TWT2810	TWT21010	TWT3010	TWT3410	TWT3810	TWT31010	TWT4210
1'-7 5/16" (491)	TWT1815	TWT2015	TWT2415	TWT2615	TWT2815	TWT21015	TWT3015	TWT3415	TWT3815		
1'-9 5/16" (541)	TWT1817	TWT2017	TWT2417	TWT2617	TWT2817	TWT21017	TWT3017	TWT3417	TWT3817		
1'-9 5/16" (541)											
2'-1 5/16" (643)	TWT18111	TWT20111	TWT24111	TWT26111	TWT28111	TWT210111	TWT30111	TWT34111	TWT38111		
2'-3 5/16" (694)	TWT1821	TWT2021	TWT2421	TWT2621	TWT2821	TWT21021	TWT3021	TWT3421	TWT3821		
2'-5 5/16" (745)	TWT1823	TWT2023	TWT2423	TWT2623	TWT2823	TWT21023	TWT3023	TWT3423	TWT3823		
2'-9 5/16" (846)	TWT1827	TWT2027	TWT2427	TWT2627	TWT2827	TWT21027	TWT3027	TWT3427	TWT3827		
3'-3 5/16" (999)	TWT1831	TWT2031	TWT2431	TWT2631	TWT2831	TWT21031	TWT3031	TWT3431	TWT3831		



Custom-size windows are available in 1/8" (3) increments. See page 98 for custom sizing.

Grille patterns shown on page 96.

- "Window Dimension" always refers to outside frame to frame dimension.
- "Minimum Rough Opening" dimensions may need to be increased to allow for use of building wraps, flashing, sill panning, brackets, fasteners or other items. See pages 288-289 for more details.
- Dimensions in parentheses are in millimeters.

Tilt-Wash Picture Window Area Specifications

Window Number	Glass Area Sq. Ft./ (m ²)	Overall Window Area Sq. Ft./ (m ²)
DHP10310	2.03 (0.19)	4.07 (0.38)
DHP1042	2.22 (0.21)	4.41 (0.41)
DHP1046	2.42 (0.23)	4.74 (0.44)
DHP10410	2.61 (0.24)	5.07 (0.47)
DHP1052	2.81 (0.26)	5.41 (0.50)
DHP1056	3.01 (0.28)	5.74 (0.53)
DHP10510	3.20 (0.30)	6.07 (0.56)
DHP1062	3.40 (0.32)	6.41 (0.60)
DHP30310	9.38 (0.87)	12.77 (1.19)
DHP3042	10.29 (0.96)	13.82 (1.28)
DHP3046	11.19 (1.04)	14.86 (1.38)
DHP30410	12.10 (1.12)	15.91 (1.48)
DHP3052	13.01 (1.21)	16.95 (1.58)
DHP3056	13.92 (1.29)	18.00 (1.67)
DHP30510	14.83 (1.38)	19.04 (1.77)
DHP3062	15.73 (1.46)	20.09 (1.87)
DHP34310	10.53 (0.98)	14.13 (1.31)
DHP3442	11.54 (1.07)	15.28 (1.42)
DHP3446	12.56 (1.17)	16.44 (1.53)

Window Number	Glass Area Sq. Ft./ (m ²)	Overall Window Area Sq. Ft./ (m ²)
DHP34410	13.58 (1.26)	17.60 (1.64)
DHP3452	14.60 (1.36)	18.75 (1.74)
DHP3456	15.62 (1.45)	19.91 (1.85)
DHP34510	16.64 (1.55)	21.07 (1.96)
DHP3462	17.66 (1.64)	22.22 (2.06)
DHP310310	12.16 (1.13)	16.06 (1.49)
DHP31042	13.33 (1.24)	17.37 (1.61)
DHP31046	14.51 (1.35)	18.69 (1.74)
DHP310410	15.69 (1.46)	20.00 (1.86)
DHP31052	16.87 (1.57)	21.32 (1.98)
DHP31056	18.04 (1.68)	22.63 (2.10)
DHP310510	19.22 (1.79)	23.94 (2.22)
DHP31062	20.40 (1.90)	25.26 (2.35)
DHP42310	13.30 (1.24)	17.42 (1.62)
DHP4242	14.56 (1.35)	18.83 (1.75)
DHP4246	15.88 (1.48)	20.27 (1.88)
DHP42410	17.17 (1.60)	21.69 (2.02)
DHP4252	18.46 (1.72)	23.12 (2.15)
DHP4256	19.75 (1.84)	24.54 (2.28)

Window Number	Glass Area Sq. Ft./ (m ²)	Overall Window Area Sq. Ft./ (m ²)
DHP42510	21.03 (1.95)	25.97 (2.41)
DHP4262	22.32 (2.07)	27.39 (2.55)
DHP410310	15.60 (1.45)	20.13 (1.87)
DHP41042	17.11 (1.59)	21.78 (2.02)
DHP41046	18.62 (1.73)	23.43 (2.18)
DHP410410	20.13 (1.87)	25.07 (2.33)
DHP41052	21.64 (2.01)	26.72 (2.48)
DHP41056	23.15 (2.15)	28.37 (2.64)
DHP410510	24.66 (2.29)	30.02 (2.79)
DHP41062	26.17 (2.43)	31.66 (2.94)
DHP56310	17.89 (1.66)	22.85 (2.12)
DHP5642	19.63 (1.82)	24.72 (2.30)
DHP5646	21.36 (1.98)	26.59 (2.47)
DHP56410	23.09 (2.15)	28.46 (2.64)
DHP5652	24.83 (2.31)	30.33 (2.82)
DHP5656	26.56 (2.47)	32.20 (2.99)
DHP56510	28.29 (2.63)	34.07 (3.17)
DHP5662	30.02 (2.79)	35.93 (3.34)

• Dimensions in parentheses are in square meters.

4'-11 5/16" (1057)	5'-7 5/16" (1710)	6'-3 5/16" (1913)
4'-11 7/8" (1070)	5'-7 7/8" (1724)	6'-3 7/8" (1927)
52 11/16" (905)	60 11/16" (1556)	68 11/16" (1745)

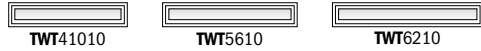


Table of Tilt-Wash Picture Window Sizes

Scale 1/8" (3) = 1'-0" (305) – 1:96

Window Dimension	1'-0"	3'-1 5/8"	3'-5 5/8"	3'-11 5/16"	4'-3 5/16"	4'-11 5/16"	5'-7 5/16"
	(305)	(956)	(1057)	(1202)	(1303)	(1507)	(1710)
Minimum Rough Opening	1'-0 1/2" (318)	3'-2 1/8" (968)	3'-6 1/8" (1070)	3'-11 7/8" (1216)	4'-3 7/8" (1318)	4'-11 7/8" (1521)	5'-7 7/8" (1724)
Unobstructed Glass	7 1/16" (179)	32 11/16" (830)	36 11/16" (932)	42 3/8" (1076)	46 3/8" (1178)	54 3/8" (1381)	62 3/8" (1584)

		CUSTOM WIDTHS – 12" to 67 5/16"						
CUSTOM HEIGHTS – 48 7/8" to 76 7/8"	4'-0 7/8" (1241)	DHP10310	DHP30310	DHP34310	DHP310310	DHP42310	DHP410310	DHP56310
	4'-4 7/8" (1343)	DHP1042	DHP3042	DHP3442	DHP31042	DHP4242	DHP41042	DHP5642
	4'-8 7/8" (1445)	DHP1046	DHP3046	DHP3446	DHP31046	DHP4246	DHP41046	DHP5646
	5'-0 7/8" (1547)	DHP10410	DHP30410	DHP34410	DHP310410	DHP42410	DHP410410	DHP56410
	5'-4 7/8" (1648)	DHP1052	DHP3052	DHP3452	DHP31052	DHP4252	DHP41052	DHP5652
	5'-8 7/8" (1749)	DHP1056	DHP3056	DHP3456	DHP31056	DHP4256	DHP41056	DHP5656
	6'-0 7/8" (1851)	DHP10510	DHP30510	DHP34510	DHP310510	DHP42510	DHP410510	DHP56510
	6'-4 7/8" (1953)	DHP1062	DHP3062	DHP3462	DHP31062	DHP4262	DHP41062	DHP5662



Custom-size windows are available in 1/8" (3) increments. See page 98 for custom sizing.

Grille patterns shown on page 96.

- "Window Dimension" always refers to outside frame to frame dimension.
- "Minimum Rough Opening" dimensions may need to be increased to allow for use of building wraps, flashing, sill panning, brackets, fasteners or other items. See pages 288-289 for more details.
- Dimensions in parentheses are in millimeters.

400 Series
Tilt-Wash Double-Hung
Full-Frame Windows

TILT-WASH DOUBLE-HUNG FULL-FRAME WINDOWS

Tilt-Wash Double-Hung Window Opening and Area Specifications

Window Number	Clear Opening Area Sq. Ft./ (m ²)	Clear Opening in Full Open Position		Glass Area Sq. Ft./ (m ²)	Vent Area Sq. Ft./ (m ²)	Top of Subfloor to Top of Inside Sill Stop Inches/(mm)	Overall Window Area Sq. Ft./ (m ²)
		Width Inches/(mm)	Height Inches/(mm)				
TW18210	1.72 (0.16)	17 7/8" (455)	13 3/4" (350)	2.90 (0.27)	1.70 (0.16)	49 1/8" (1249)	5.53 (0.51)
TW1832	1.96 (0.18)	17 7/8" (455)	15 3/4" (401)	3.32 (0.31)	1.95 (0.18)	45 1/8" (1147)	6.14 (0.57)
TW1836	2.21 (0.21)	17 7/8" (455)	17 3/4" (452)	3.74 (0.35)	2.20 (0.20)	41 1/8" (1046)	6.74 (0.63)
TW18310	2.52 (0.23)	17 7/8" (455)	20 1/4" (515)	4.15 (0.39)	2.49 (0.23)	37 1/8" (944)	7.34 (0.68)
TW1842	2.71 (0.25)	17 7/8" (455)	21 3/4" (553)	4.57 (0.43)	2.70 (0.25)	33 1/8" (843)	7.94 (0.74)
TW1846	3.02 (0.28)	17 7/8" (455)	24 1/4" (617)	4.98 (0.46)	2.98 (0.28)	29 1/8" (741)	8.54 (0.79)
TW18410	3.21 (0.30)	17 7/8" (455)	25 3/4" (655)	5.40 (0.50)	3.20 (0.30)	25 1/8" (639)	9.14 (0.85)
TW1852	3.46 (0.32)	17 7/8" (455)	27 3/4" (706)	5.81 (0.54)	3.44 (0.32)	21 1/8" (538)	9.74 (0.91)
TW1856	3.71 (0.34)	17 7/8" (455)	29 3/4" (757)	6.23 (0.58)	3.69 (0.34)	17 1/8" (436)	10.34 (0.96)
TW18510	3.96 (0.37)	17 7/8" (455)	31 3/4" (807)	6.65 (0.62)	3.94 (0.37)	13 1/8" (335)	10.94 (1.02)
TW1862	4.20 (0.39)	17 7/8" (455)	33 3/4" (858)	7.06 (0.66)	4.19 (0.39)	9 1/8" (233)	11.54 (1.07)
TW1872	4.95 (0.46)	17 7/8" (455)	39 3/4" (1011)	8.32 (0.77)	4.94 (0.46)	10 5/8" (271)*	13.35 (1.24)
TW1876	5.20 (0.48)	17 7/8" (455)	41 3/4" (1061)	8.74 (0.81)	5.19 (0.48)	6 5/8" (169)*	13.95 (1.30)
TW20210	2.10 (0.19)	21 7/8" (557)	13 3/4" (350)	3.68 (0.34)	2.08 (0.19)	49 1/8" (1249)	6.56 (0.61)
TW2032	2.40 (0.22)	21 7/8" (557)	15 3/4" (401)	4.21 (0.39)	2.39 (0.22)	45 1/8" (1147)	7.27 (0.68)
TW2036	2.71 (0.25)	21 7/8" (557)	17 3/4" (452)	4.73 (0.44)	2.69 (0.25)	41 1/8" (1046)	7.98 (0.74)
TW20310	3.09 (0.29)	21 7/8" (557)	20 1/4" (515)	5.26 (0.49)	3.04 (0.28)	37 1/8" (944)	8.69 (0.81)
TW2042	3.32 (0.31)	21 7/8" (557)	21 3/4" (553)	5.79 (0.54)	3.30 (0.31)	33 1/8" (843)	9.41 (0.87)
TW2046	3.70 (0.34)	21 7/8" (557)	24 1/4" (617)	6.31 (0.59)	3.65 (0.34)	29 1/8" (741)	10.12 (0.94)
TW20410	3.93 (0.36)	21 7/8" (557)	25 3/4" (655)	6.84 (0.64)	3.91 (0.36)	25 1/8" (639)	10.83 (1.01)
TW2052	4.23 (0.39)	21 7/8" (557)	27 3/4" (706)	7.37 (0.69)	4.21 (0.39)	21 1/8" (538)	11.54 (1.07)
TW2056	4.53 (0.42)	21 7/8" (557)	29 3/4" (757)	7.89 (0.73)	4.52 (0.42)	17 1/8" (436)	12.25 (1.14)
TW20510	4.84 (0.45)	21 7/8" (557)	31 3/4" (807)	8.42 (0.78)	4.82 (0.45)	13 1/8" (335)	12.96 (1.20)
TW2062	5.14 (0.48)	21 7/8" (557)	33 3/4" (858)	8.95 (0.83)	5.13 (0.48)	9 1/8" (233)	13.68 (1.27)
TW2072 ⌀	6.06 (0.56)	21 7/8" (557)	39 3/4" (1011)	10.54 (0.98)	6.04 (0.56)	10 5/8" (271)*	15.82 (1.47)
TW2076 ⌀	6.36 (0.59)	21 7/8" (557)	41 3/4" (1061)	11.06 (1.03)	6.34 (0.59)	6 5/8" (169)*	16.53 (1.54)
TW24210	2.48 (0.23)	25 7/8" (658)	13 3/4" (350)	4.46 (0.41)	2.46 (0.23)	49 1/8" (1249)	7.58 (0.70)
TW2432	2.84 (0.26)	25 7/8" (658)	15 3/4" (401)	5.09 (0.47)	2.82 (0.26)	45 1/8" (1147)	8.40 (0.78)
TW2436	3.20 (0.30)	25 7/8" (658)	17 3/4" (452)	5.73 (0.53)	3.18 (0.30)	41 1/8" (1046)	9.23 (0.86)
TW24310	3.65 (0.34)	25 7/8" (658)	20 1/4" (515)	6.37 (0.59)	3.59 (0.33)	37 1/8" (944)	10.05 (0.93)
TW2442	3.92 (0.36)	25 7/8" (658)	21 3/4" (553)	7.01 (0.65)	3.90 (0.36)	33 1/8" (843)	10.87 (1.01)
TW2446	4.37 (0.41)	25 7/8" (658)	24 1/4" (617)	7.65 (0.71)	4.31 (0.40)	29 1/8" (741)	11.70 (1.09)
TW24410	4.64 (0.43)	25 7/8" (658)	25 3/4" (655)	8.28 (0.77)	4.62 (0.43)	25 1/8" (639)	12.52 (1.16)
TW2452	5.00 (0.46)	25 7/8" (658)	27 3/4" (706)	8.92 (0.83)	4.98 (0.46)	21 1/8" (538)	13.34 (1.24)
TW2456	5.36 (0.50)	25 7/8" (658)	29 3/4" (757)	9.56 (0.89)	5.34 (0.50)	17 1/8" (436)	14.17 (1.32)
TW24510 ⌀	5.72 (0.53)	25 7/8" (658)	31 3/4" (807)	10.20 (0.95)	5.70 (0.53)	13 1/8" (335)	14.99 (1.39)
TW2462 ⌀	6.08 (0.57)	25 7/8" (658)	33 3/4" (858)	10.84 (1.01)	6.06 (0.56)	9 1/8" (233)	15.81 (1.47)
TW2472 ⌀	7.16 (0.67)	25 7/8" (658)	39 3/4" (1011)	12.76 (1.19)	7.14 (0.66)	10 5/8" (271)*	18.28 (1.70)
TW2476 ⌀	7.52 (0.70)	25 7/8" (658)	41 3/4" (1061)	13.40 (1.25)	7.50 (0.70)	6 5/8" (169)*	19.11 (1.78)
TW26210	2.67 (0.25)	27 7/8" (709)	13 3/4" (350)	4.84 (0.45)	2.65 (0.25)	49 1/8" (1249)	8.09 (0.75)
TW2632	3.06 (0.28)	27 7/8" (709)	15 3/4" (401)	5.54 (0.52)	3.04 (0.28)	45 1/8" (1147)	8.97 (0.83)
TW2636	3.45 (0.32)	27 7/8" (709)	17 3/4" (452)	6.23 (0.58)	3.43 (0.32)	41 1/8" (1046)	9.85 (0.92)
TW26310	3.93 (0.37)	27 7/8" (709)	20 1/4" (515)	6.92 (0.64)	3.87 (0.36)	37 1/8" (944)	10.73 (1.00)
TW2642	4.22 (0.39)	27 7/8" (709)	21 3/4" (553)	7.62 (0.71)	4.20 (0.39)	33 1/8" (843)	11.61 (1.08)
TW2646	4.71 (0.44)	27 7/8" (709)	24 1/4" (617)	8.31 (0.77)	4.65 (0.43)	29 1/8" (741)	12.49 (1.16)
TW26410	5.00 (0.46)	27 7/8" (709)	25 3/4" (655)	9.01 (0.84)	4.98 (0.46)	25 1/8" (639)	13.36 (1.24)
TW2652	5.39 (0.50)	27 7/8" (709)	27 3/4" (706)	9.70 (0.90)	5.37 (0.50)	21 1/8" (538)	14.24 (1.32)
TW2656 ⌀	5.78 (0.54)	27 7/8" (709)	29 3/4" (757)	10.39 (0.96)	5.75 (0.53)	17 1/8" (436)	15.12 (1.41)
TW26510 ⌀	6.16 (0.57)	27 7/8" (709)	31 3/4" (807)	11.09 (1.03)	6.14 (0.57)	13 1/8" (335)	16.00 (1.49)
TW2662 ⌀	6.55 (0.61)	27 7/8" (709)	33 3/4" (858)	11.78 (1.09)	6.53 (0.61)	9 1/8" (233)	16.88 (1.57)
TW2672 ⌀	7.71 (0.72)	27 7/8" (709)	39 3/4" (1011)	13.86 (1.29)	7.69 (0.71)	10 5/8" (271)*	19.52 (1.81)
TW2676 ⌀	8.10 (0.75)	27 7/8" (709)	41 3/4" (1061)	14.56 (1.35)	8.08 (0.75)	6 5/8" (169)*	20.40 (1.89)
TW28210	2.86 (0.27)	29 7/8" (760)	13 3/4" (350)	5.23 (0.49)	2.84 (0.26)	49 1/8" (1249)	8.61 (0.80)
TW2832	3.28 (0.30)	29 7/8" (760)	15 3/4" (401)	5.98 (0.56)	3.26 (0.30)	45 1/8" (1147)	9.54 (0.89)
TW2836	3.70 (0.34)	29 7/8" (760)	17 3/4" (452)	6.73 (0.63)	3.67 (0.34)	41 1/8" (1046)	10.47 (0.97)
TW28310	4.22 (0.39)	29 7/8" (760)	20 1/4" (515)	7.48 (0.70)	4.15 (0.39)	37 1/8" (944)	11.41 (1.06)
TW2842	4.53 (0.42)	29 7/8" (760)	21 3/4" (553)	8.23 (0.77)	4.50 (0.42)	33 1/8" (843)	12.34 (1.15)
TW2846	5.05 (0.47)	29 7/8" (760)	24 1/4" (617)	8.98 (0.83)	4.98 (0.46)	29 1/8" (741)	13.28 (1.23)
TW28410	5.36 (0.50)	29 7/8" (760)	25 3/4" (655)	9.73 (0.90)	5.33 (0.50)	25 1/8" (639)	14.21 (1.32)
TW2852 ⌀	5.77 (0.54)	29 7/8" (760)	27 3/4" (706)	10.48 (0.97)	5.75 (0.53)	21 1/8" (538)	15.14 (1.41)

Opening calculations change when using PG Upgrade sill stop. For opening specifications for windows with Stormwatch® Protection visit andersenwindows.com/openingspecs.

For cottage and reverse cottage sash opening specifications, visit andersenwindows.com/openingspecs.

*Top of Subfloor to Top of Inside Sill Stop" is calculated based upon a structural header height of 6'-10 1/2" (2096) except for 7'-5" and 7'-9" heights which are calculated using a header height of 8" (2438).
 • Dimensions in parentheses are in millimeters or square meters.
 ⌀ Meet or exceed clear opening area of 5.7 sq. ft. or 0.53 m², clear opening width of 20" (508) and clear opening height of 24" (610).
 *Calculated based upon a structural header height of 8" (2438).

Tilt-Wash Double-Hung Window Opening and Area Specifications (continued)

Window Number	Clear Opening Area Sq. Ft./ (m ²)	Clear Opening in Full Open Position		Glass Area Sq. Ft./ (m ²)	Vent Area Sq. Ft./ (m ²)	Top of Subfloor to Top of Inside Sill Stop Inches/ (mm)	Overall Window Area Sq. Ft./ (m ²)
		Width Inches/ (mm)	Height Inches/ (mm)				
TW2856 ◊	6.19 (0.57)	29 7/8" (760)	29 3/4" (757)	11.22 (1.04)	6.17 (0.57)	17 1/8" (436)	16.08 (1.49)
TW28510 ◊	6.60 (0.61)	29 7/8" (760)	31 3/4" (807)	11.97 (1.11)	6.58 (0.61)	13 1/8" (335)	17.01 (1.58)
TW2862 ◊	7.02 (0.65)	29 7/8" (760)	33 3/4" (858)	12.72 (1.18)	7.00 (0.65)	9 1/8" (233)	17.95 (1.67)
TW2872 ◊	8.27 (0.77)	29 7/8" (760)	39 3/4" (1011)	14.98 (1.39)	8.24 (0.77)	10 5/8" (271)*	20.75 (1.93)
TW2876 ◊	8.68 (0.81)	29 7/8" (760)	41 3/4" (1061)	15.72 (1.46)	8.66 (0.80)	6 5/8" (169)*	21.69 (2.01)
TW210210	3.06 (0.28)	31 7/8" (811)	13 3/4" (350)	5.62 (0.52)	3.03 (0.28)	49 1/8" (1249)	9.12 (0.85)
TW21032	3.50 (0.33)	31 7/8" (811)	15 3/4" (401)	6.42 (0.60)	3.47 (0.32)	45 1/8" (1147)	10.11 (0.94)
TW21036	3.94 (0.37)	31 7/8" (811)	17 3/4" (452)	7.23 (0.67)	3.92 (0.36)	41 1/8" (1046)	11.10 (1.03)
TW210310	4.50 (0.42)	31 7/8" (811)	20 1/4" (515)	8.03 (0.75)	4.43 (0.41)	37 1/8" (944)	12.09 (1.12)
TW21042	4.83 (0.45)	31 7/8" (811)	21 3/4" (553)	8.84 (0.82)	4.80 (0.45)	33 1/8" (843)	13.08 (1.22)
TW21046	5.38 (0.50)	31 7/8" (811)	24 1/4" (617)	9.64 (0.90)	5.31 (0.49)	29 1/8" (741)	14.07 (1.31)
TW210410 ◊	5.72 (0.53)	31 7/8" (811)	25 3/4" (655)	10.45 (0.97)	5.69 (0.53)	25 1/8" (639)	15.05 (1.40)
TW21052 ◊	6.16 (0.57)	31 7/8" (811)	27 3/4" (706)	11.25 (1.05)	6.13 (0.57)	21 1/8" (538)	16.04 (1.49)
TW21056 ◊	6.60 (0.61)	31 7/8" (811)	29 3/4" (757)	12.06 (1.12)	6.58 (0.61)	17 1/8" (436)	17.03 (1.59)
TW210510 ◊	7.05 (0.65)	31 7/8" (811)	31 3/4" (807)	12.86 (1.20)	7.02 (0.65)	13 1/8" (335)	18.02 (1.67)
TW21062 ◊	7.49 (0.70)	31 7/8" (811)	33 3/4" (858)	13.67 (1.27)	7.46 (0.69)	9 1/8" (233)	19.01 (1.77)
TW21072 ◊	8.82 (0.82)	31 7/8" (811)	39 3/4" (1011)	16.08 (1.49)	8.79 (0.82)	10 5/8" (271)*	21.99 (2.04)
TW21076 ◊	9.26 (0.86)	31 7/8" (811)	41 3/4" (1061)	16.90 (1.57)	9.24 (0.86)	6 5/8" (169)*	22.98 (2.13)
TW30210	3.25 (0.30)	33 7/8" (862)	13 3/4" (350)	6.01 (0.56)	3.22 (0.30)	49 1/8" (1249)	9.63 (0.90)
TW3032	3.72 (0.35)	33 7/8" (862)	15 3/4" (401)	6.87 (0.64)	3.69 (0.34)	45 1/8" (1147)	10.67 (0.99)
TW3036	4.19 (0.39)	33 7/8" (862)	17 3/4" (452)	7.73 (0.72)	4.16 (0.39)	41 1/8" (1046)	11.72 (1.09)
TW30310	4.78 (0.44)	33 7/8" (862)	20 1/4" (515)	8.59 (0.80)	4.70 (0.44)	37 1/8" (944)	12.76 (1.19)
TW3042	5.13 (0.48)	33 7/8" (862)	21 3/4" (553)	9.45 (0.88)	5.11 (0.47)	33 1/8" (843)	13.81 (1.28)
TW3046 ◊	5.72 (0.53)	33 7/8" (862)	24 1/4" (617)	10.31 (0.96)	5.65 (0.52)	29 1/8" (741)	14.85 (1.38)
TW30410 ◊	6.07 (0.56)	33 7/8" (862)	25 3/4" (655)	11.17 (1.04)	6.05 (0.56)	25 1/8" (639)	15.90 (1.48)
TW3052 ◊	6.55 (0.61)	33 7/8" (862)	27 3/4" (706)	12.03 (1.12)	6.52 (0.61)	21 1/8" (538)	16.95 (1.58)
TW3056 ◊	7.02 (0.65)	33 7/8" (862)	29 3/4" (757)	12.89 (1.20)	6.99 (0.65)	17 1/8" (436)	17.99 (1.67)
TW30510 ◊	7.49 (0.70)	33 7/8" (862)	31 3/4" (807)	13.75 (1.28)	7.46 (0.69)	13 1/8" (335)	19.04 (1.77)
TW3062 ◊	7.96 (0.74)	33 7/8" (862)	33 3/4" (858)	14.61 (1.36)	7.93 (0.74)	9 1/8" (233)	20.08 (1.87)
TW3072 ◊	9.37 (0.87)	33 7/8" (862)	39 3/4" (1011)	17.20 (1.60)	9.35 (0.87)	10 5/8" (271)*	23.22 (2.16)
TW3076 ◊	9.84 (0.91)	33 7/8" (862)	41 3/4" (1061)	18.06 (1.68)	9.82 (0.91)	6 5/8" (169)*	24.27 (2.25)
TW34210	3.63 (0.34)	37 7/8" (963)	13 3/4" (350)	6.79 (0.63)	3.60 (0.33)	49 1/8" (1249)	10.65 (0.99)
TW3432	4.16 (0.39)	37 7/8" (963)	15 3/4" (401)	7.76 (0.72)	4.13 (0.38)	45 1/8" (1147)	11.81 (1.10)
TW3436	4.68 (0.44)	37 7/8" (963)	17 3/4" (452)	8.73 (0.81)	4.65 (0.43)	41 1/8" (1046)	12.97 (1.21)
TW34310	5.34 (0.50)	37 7/8" (963)	20 1/4" (515)	9.70 (0.90)	5.26 (0.49)	37 1/8" (944)	14.12 (1.31)
TW3442	5.74 (0.53)	37 7/8" (963)	21 3/4" (553)	10.67 (0.99)	5.71 (0.53)	33 1/8" (843)	15.28 (1.42)
TW3446 ◊	6.40 (0.59)	37 7/8" (963)	24 1/4" (617)	11.64 (1.08)	6.31 (0.59)	29 1/8" (741)	16.43 (1.53)
TW34410 ◊	6.79 (0.63)	37 7/8" (963)	25 3/4" (655)	12.61 (1.17)	6.76 (0.63)	25 1/8" (639)	17.59 (1.63)
TW3452 ◊	7.32 (0.68)	37 7/8" (963)	27 3/4" (706)	13.58 (1.26)	7.29 (0.68)	21 1/8" (538)	18.75 (1.74)
TW3456 ◊	7.84 (0.73)	37 7/8" (963)	29 3/4" (757)	14.55 (1.35)	7.81 (0.73)	17 1/8" (436)	19.90 (1.85)
TW34510 ◊	8.37 (0.78)	37 7/8" (963)	31 3/4" (807)	15.53 (1.44)	8.34 (0.77)	13 1/8" (335)	21.06 (1.96)
TW3462 ◊	8.90 (0.83)	37 7/8" (963)	33 3/4" (858)	16.50 (1.53)	8.87 (0.82)	9 1/8" (233)	22.22 (2.06)
TW3472 ◊	10.48 (0.97)	37 7/8" (963)	39 3/4" (1011)	19.42 (1.80)	10.45 (0.97)	10 5/8" (271)*	25.69 (2.39)
TW3476 ◊	11.00 (1.02)	37 7/8" (963)	41 3/4" (1061)	20.38 (1.89)	10.97 (1.02)	6 5/8" (169)*	26.85 (2.49)
TW38210	4.01 (0.37)	41 7/8" (1065)	13 3/4" (350)	7.56 (0.70)	3.98 (0.37)	49 1/8" (1249)	11.68 (1.09)
TW3832	4.60 (0.43)	41 7/8" (1065)	15 3/4" (401)	8.64 (0.80)	4.56 (0.42)	45 1/8" (1147)	12.94 (1.20)
TW3836	5.18 (0.48)	41 7/8" (1065)	17 3/4" (452)	9.72 (0.90)	5.15 (0.48)	41 1/8" (1046)	14.21 (1.32)
TW38310	5.91 (0.55)	41 7/8" (1065)	20 1/4" (515)	10.81 (1.00)	5.81 (0.54)	37 1/8" (944)	15.48 (1.44)
TW3842	6.34 (0.59)	41 7/8" (1065)	21 3/4" (553)	11.89 (1.11)	6.31 (0.59)	33 1/8" (843)	16.75 (1.56)
TW3846 ◊	7.07 (0.66)	41 7/8" (1065)	24 1/4" (617)	12.97 (1.21)	6.98 (0.65)	29 1/8" (741)	18.01 (1.67)
TW38410 ◊	7.51 (0.70)	41 7/8" (1065)	25 3/4" (655)	14.05 (1.31)	7.47 (0.69)	25 1/8" (639)	19.28 (1.79)
TW3852 ◊	8.09 (0.75)	41 7/8" (1065)	27 3/4" (706)	15.14 (1.41)	8.06 (0.75)	21 1/8" (538)	20.55 (1.91)
TW3856 ◊	8.67 (0.81)	41 7/8" (1065)	29 3/4" (757)	16.22 (1.51)	8.64 (0.80)	17 1/8" (436)	21.62 (2.01)
TW38510 ◊	9.25 (0.86)	41 7/8" (1065)	31 3/4" (807)	17.30 (1.61)	9.22 (0.86)	13 1/8" (335)	23.08 (2.14)
TW3862 ◊	9.84 (0.91)	41 7/8" (1065)	33 3/4" (858)	18.38 (1.71)	9.80 (0.91)	9 1/8" (233)	24.35 (2.26)
TW3872 ◊	11.58 (1.08)	41 7/8" (1065)	39 3/4" (1011)	21.64 (2.01)	11.55 (1.07)	10 5/8" (271)*	28.16 (2.26)
TW3876 ◊	12.16 (1.13)	41 7/8" (1065)	41 3/4" (1061)	22.72 (2.11)	12.13 (1.13)	6 5/8" (169)*	29.43 (2.73)

- * Top of Subfloor to Top of Inside Sill Stop" is calculated based upon a structural header height of 6'-10 1/2" (2096) except for 7'-5" and 7'-9" heights which are calculated using a header height of 8' (2438).
- ◊ Dimensions in parentheses are in millimeters or square meters.
- ◊ Meet or exceed clear opening area of 5.7 sq. ft. or 0.53 m²; clear opening width of 20" (508) and clear opening height of 24" (610).
- *Calculated based upon a structural header height of 8' (2438).

Opening calculations change when using PG Upgrade sill stop. For opening specifications for windows with Stormwatch[®] Protection visit andersenwindows.com/openingspecs.

For cottage and reverse cottage sash opening specifications, visit andersenwindows.com/openingspecs.

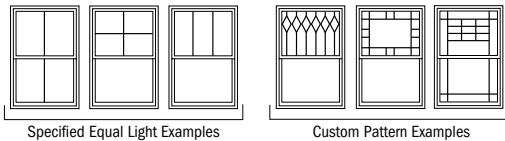
TILT-WASH DOUBLE-HUNG FULL-FRAME WINDOWS

Divided Light Patterns

	Diamond*	Prairie A	6-Light Prairie	Colonial	Modified** Colonial	Modified** Colonial SCR (Simulated Check Rail)	Tall Fractional	Tall Fractional SCR (Simulated Check Rail)	Short Fractional	Short Fractional SCR (Simulated Check Rail)	Victorian				
Tilt-Wash Double-Hung															
Tilt-Wash Picture															
Tilt-Wash Transom															

*Available only in Simulated Divided Light (SDL) configuration and only in 3/4" (19) and 7/8" (22) widths.

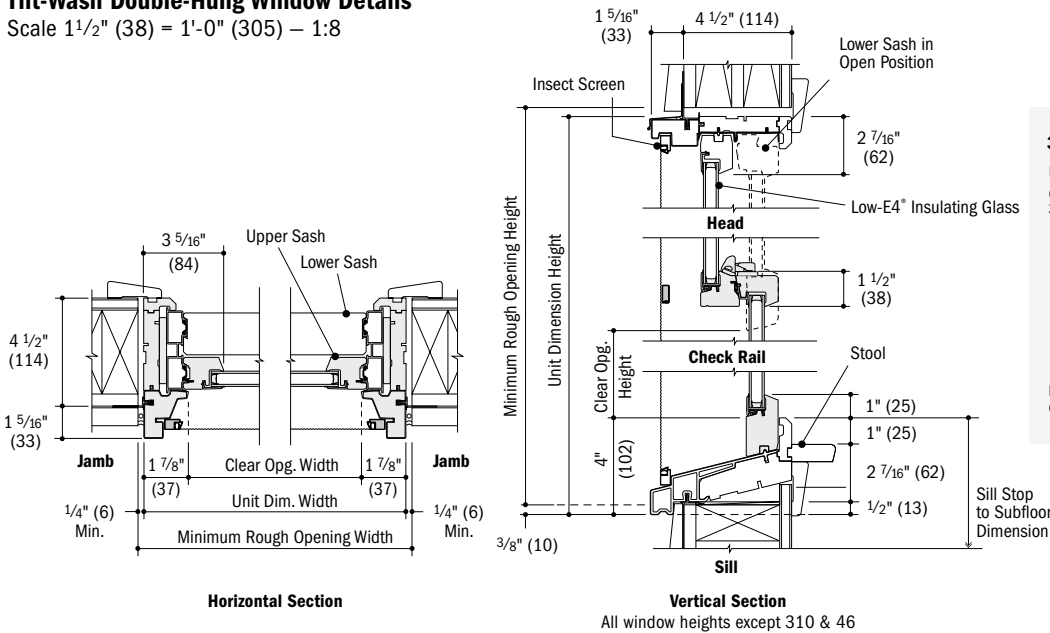
**Location from top of window to bottom of divided light pattern is available at 8" (203), 10" (254), 12" (305), center and custom dimensions.



Specified equal light and custom patterns are also available. For more information on divided light, see page 11 or visit andersenwindows.com/grilles.

Tilt-Wash Double-Hung Window Details

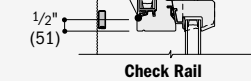
Scale 1 1/2" (38) = 1'-0" (305) – 1:8



310 & 46 Height Windows Only:

Upper Check Rail (higher location on 310 and 46 heights)

Lower Sash in Open Position (opens higher to maintain clear opening)

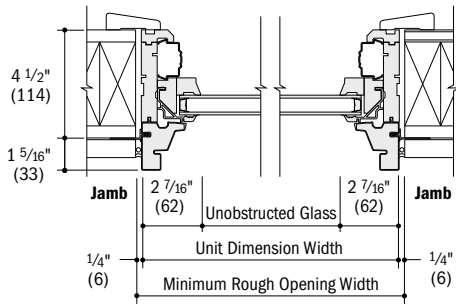


Note: Check rail location on optional insect screens matches check rail location on 310 and 46 window heights.

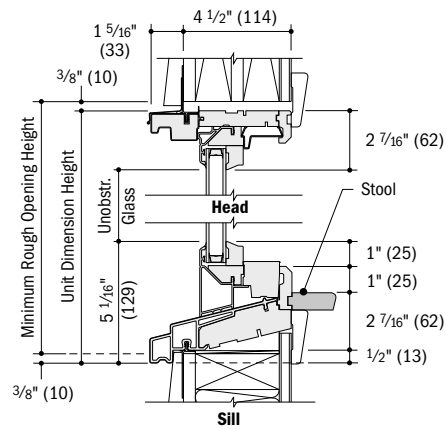
- Light-colored areas are parts included with window. Dark-colored areas are additional Andersen® parts required to complete window assembly as shown.
- **Rough openings may need to be increased to allow for use of building wraps, flashing, sill panning, brackets, fasteners or other items. See installation information on pages 288-289.**
- Details are for illustration only and are not intended to represent product installation methods or materials. Refer to product installation guides at andersenwindows.com.
- Dimensions in parentheses are in millimeters.

Tilt-Wash Picture Window Details

Scale 1 1/2" (38) = 1'-0" (305) – 1:8



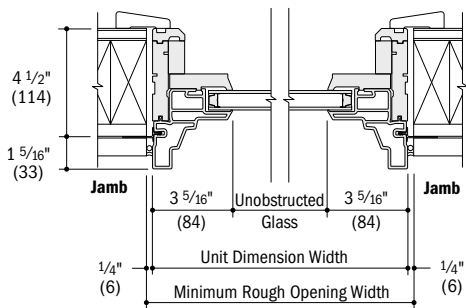
Horizontal Section



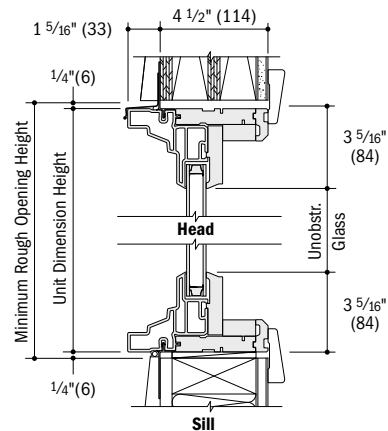
Vertical Section

Tilt-Wash Transom Window Details

Scale 1 1/2" (38) = 1'-0" (305) – 1:8



Horizontal Section



Vertical Section

Horizontal (stack) Joining Detail

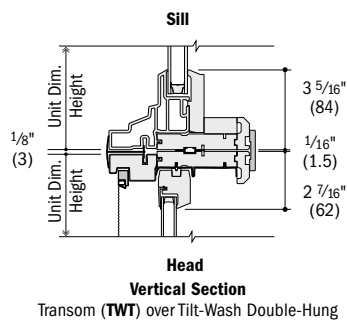
Scale 1 1/2" (38) = 1'-0" (305) – 1:8

Overall Window Dimension Height

Sum of individual window heights
plus 1/16" (1.5) for each join.

Overall Rough Opening Height

Overall window dimension height.*



Head Vertical Section
Transom (TWT) over Tilt-Wash Double-Hung

Vertical (ribbon) Joining Detail

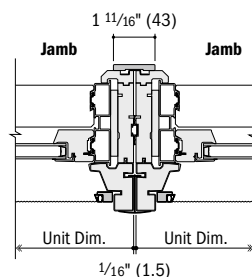
Scale 1 1/2" (38) = 1'-0" (305) – 1:8

Overall Window Dimension Width

Sum of individual window widths
plus 1/16" (1.5) for each join.

Overall Rough Opening Width

Overall window dimension width plus 1/2" (13).

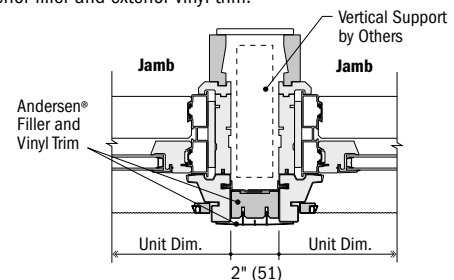


Horizontal Section
Tilt-Wash Double-Hung to Tilt-Wash Double-Hung

Separate Rough Openings Detail

Scale 1 1/2" (38) = 1'-0" (305) – 1:8

To meet structural requirements or to achieve a wider joined appearance, windows may be installed into separate rough openings having vertical support (by others) in combination with Andersen® exterior filler and exterior vinyl trim.



Horizontal Section
Tilt-Wash Double-Hung and Tilt-Wash Double-Hung

- Light-colored areas are parts included with window. Dark-colored areas are additional Andersen® parts required to complete window assembly as shown.
- **Rough openings may need to be increased to allow for use of building wraps, flashing, sill panning, brackets, fasteners or other items. See installation information on pages 288-289.**
- Details are for illustration only and are not intended to represent product installation methods or materials. Refer to product installation guides at andersenwindows.com.
- Consult with an architect or structural engineer regarding minimum requirements for structural support members between adjacent rough openings.
- Dimensions in parentheses are in millimeters.
- *For stacks where bottom unit in combination is a double-hung or picture window with a sloped sill. If bottom window has a straight sill add 1/2" (13) to the overall window dimension height.

For more joining information, see the combination designs section starting on page 255.

400 Series
Tilt-Wash Double-Hung
Full-Frame Windows

TILT-WASH DOUBLE-HUNG FULL-FRAME WINDOWS

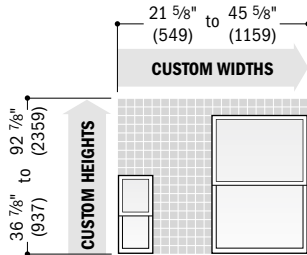
Custom Sizes and Specification Formulas



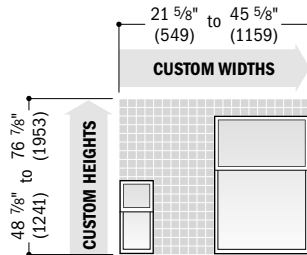
Available in 1/8" (3) increments between minimum and maximum widths and heights. Some restrictions apply, contact your Andersen supplier. For minimum rough opening dimensions for joined windows, see specific joining instruction guides. Measurement guide for custom sized windows can be found at andersenwindows.com/measure.

Tilt-Wash Double-Hung Windows

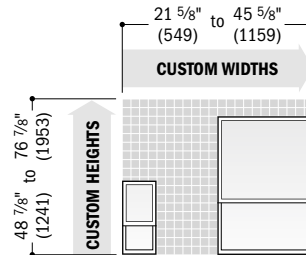
Equal Sash Ratio



Cottage Sash Ratio

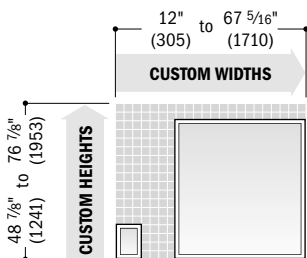


Reverse Cottage Sash Ratio

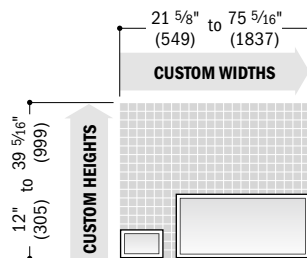


Clear Opening 	Width = window width - 1.825" (46) <i>Contact your Andersen supplier for clear opening height.</i>	Minimum R.O. 	Width = window width + 1/2" (51) Height = window height + 0"
Vent Opening 	<i>Vent opening formulas are dependent on window size, contact your Andersen supplier.</i>	Unobstr. Glass 	Width = window width - 3.376" (86) Height: Upper Sash = upper sash height - 3.035" (77) Lower Sash = lower sash height - 3.831" (97)

Tilt-Wash Picture Windows



Tilt-Wash Transom Windows



Minimum R.O. 	Width = window width + 1/2" (51) Height = window height + 0"	Unobstr. Glass 	Picture Window Width = window width - 4.924" (125) Height = window height - 7.531" (191)	Transom Window Width = window width - 6.625" (168) Height = window height - 6.625" (168)
-------------------------	---	---------------------------	---	---

• Dimensions in parentheses are in millimeters.
 • **Clear Opening** formulas provide dimensions for determining area available for egress. **Vent Opening** formulas provide dimensions for determining area available for passage of air. **Minimum R.O.** (minimum rough opening) formulas provide minimum rough opening width and height dimensions. **Unobstr. Glass** (unobstructed glass) formulas provide dimensions for determining area available for passage of light.

FEATURES

Narrowline® Double-Hung Window Conversion Kits are designed specifically to update existing Narrowline windows (made from 1968 to 2013) to tilt-wash windows. They provide quick and easy installation with less mess than traditional window replacement, because there are no window frame tear-out or trim modifications.

Each kit includes:

- Upper and lower sash with your choice of Low-E4® glass options
- Jamb liners
- Balancers
- Lock and keeper

Glass

High-Performance glass options include:

- Low-E4® glass
- Low-E4 HeatLock® glass
- Low-E4 Sun glass
- Low-E4 SmartSun™ glass
- Low-E4 SmartSun HeatLock glass

Tempered glass and other glass options are available. Contact your Andersen supplier.

A removable translucent film helps shield the glass from damage during delivery and installation and simplifies finishing at the jobsite.

High-Performance Low-E4® glass is 45% more energy-efficient than ordinary dual-pane glass in winter and 56% more energy-efficient in summer.*

Low Maintenance

Sash tilt inward for easy cleaning of window exteriors from inside the home (no need for ladders).



See videos of Narrowline Double-Hung Window Conversion Kit features and installation at andersenwindows.com/narrowline.

EXTERIOR



White Sandtone Terratone

INTERIOR



Pine White

Naturally occurring variations in grain, color and texture of wood make each window one-of-a-kind. All wood interiors are unfinished unless prefinished White is specified.

STORM/INSECT SCREEN COMBINATION UNIT

For product information, see page 61 (Woodwright® double-hung windows) or page 89 (400 Series tilt-wash double-hung windows).

* Values are based on comparison of Andersen® double-hung window conversion kit U-Factor to the U-Factor for clear dual-pane glass non-metal frame default values from the 2006, 2009, 2012, 2015 and 2018 International Energy Conservation Code "Glazed Fenestration" Default Tables

** Unobstructed Glass Height dimensions in table are for lower sash only.

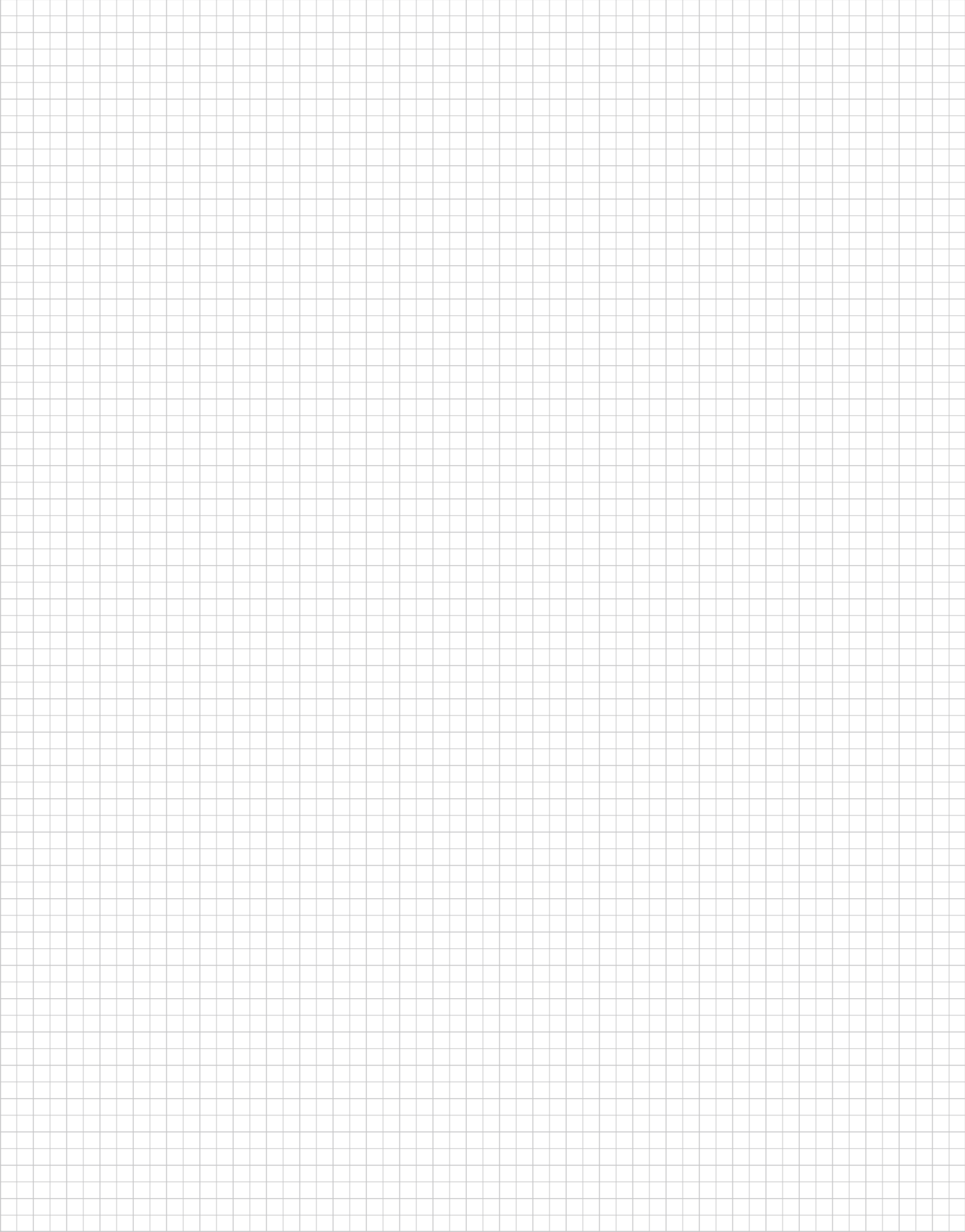
Dimensions in parentheses are in millimeters.

Printing limitations prevent exact duplication of colors and finishes. See your Andersen supplier for actual color and finish samples.

Narrowline® Double-Hung Window Identification

Unobstructed Glass Width Inches/(mm)		Unobstructed Glass Height** Inches/(mm)		Window Number
16 7/16"	(418)	13 15/16"	(354)	18210
16 7/16"	(418)	15 15/16"	(405)	1832
16 7/16"	(418)	19 15/16"	(506)	18310
16 7/16"	(418)	21 15/16"	(557)	1842
16 7/16"	(418)	23 15/16"	(608)	1846
16 7/16"	(418)	27 15/16"	(710)	1852
16 7/16"	(418)	35 15/16"	(913)	1856
16 7/16"	(418)	33 15/16"	(862)	1862
20 7/16"	(519)	13 15/16"	(354)	20210
20 7/16"	(519)	15 15/16"	(405)	2032
20 7/16"	(519)	19 15/16"	(506)	20310
20 7/16"	(519)	21 15/16"	(557)	2042
20 7/16"	(519)	23 15/16"	(608)	2046
20 7/16"	(519)	27 15/16"	(710)	2052
20 7/16"	(519)	35 15/16"	(913)	2056
20 7/16"	(519)	33 15/16"	(862)	2062
24 7/16"	(621)	13 15/16"	(354)	24210
24 7/16"	(621)	15 15/16"	(405)	2432
24 7/16"	(621)	19 15/16"	(506)	24310
24 7/16"	(621)	21 15/16"	(557)	2442
24 7/16"	(621)	23 15/16"	(608)	2446
24 7/16"	(621)	27 15/16"	(710)	2452
24 7/16"	(621)	35 15/16"	(913)	2456
24 7/16"	(621)	33 15/16"	(862)	2462
28 7/16"	(722)	13 15/16"	(354)	28210
28 7/16"	(722)	15 15/16"	(405)	2832
28 7/16"	(722)	19 15/16"	(506)	28310
28 7/16"	(722)	21 15/16"	(557)	2842
28 7/16"	(722)	23 15/16"	(608)	2846
28 7/16"	(722)	27 15/16"	(710)	2852
28 7/16"	(722)	35 15/16"	(913)	2856
28 7/16"	(722)	33 15/16"	(862)	2862
32 7/16"	(824)	13 15/16"	(354)	30210
32 7/16"	(824)	15 15/16"	(405)	3032
32 7/16"	(824)	19 15/16"	(506)	30310
32 7/16"	(824)	21 15/16"	(557)	3042
32 7/16"	(824)	23 15/16"	(608)	3046
32 7/16"	(824)	27 15/16"	(710)	3052
32 7/16"	(824)	35 15/16"	(913)	3056
32 7/16"	(824)	33 15/16"	(862)	3062
36 7/16"	(926)	13 15/16"	(354)	34210
36 7/16"	(926)	15 15/16"	(405)	3432
36 7/16"	(926)	19 15/16"	(506)	34310
36 7/16"	(926)	21 15/16"	(557)	3442
36 7/16"	(926)	23 15/16"	(608)	3446
36 7/16"	(926)	27 15/16"	(710)	3452
36 7/16"	(926)	35 15/16"	(913)	3456
36 7/16"	(926)	33 15/16"	(862)	3462
40 7/16"	(1027)	13 15/16"	(354)	38210
40 7/16"	(1027)	15 15/16"	(405)	3832
40 7/16"	(1027)	19 15/16"	(506)	38310
40 7/16"	(1027)	21 15/16"	(557)	3842
40 7/16"	(1027)	23 15/16"	(608)	3846
40 7/16"	(1027)	27 15/16"	(710)	3852
40 7/16"	(1027)	35 15/16"	(913)	3856
40 7/16"	(1027)	33 15/16"	(862)	3862

NARROLINE® DOUBLE-HUNG CONVERSION KIT



TILT-WASH DOUBLE-HUNG INSERT WINDOWS

CUSTOM SIZING

in 1/8" (3) increments



SECTION REFERENCE

Sizes.....	104
Specifications.....	104
Existing Window Measurements..	105
Sill Angle Details	105
Grille Patterns	106
Window Details	106-107
Joining Detail	107
Product Performance.....	269
Warranty.....	290-291

Dimensions in parentheses are in millimeters.

TILT-WASH DOUBLE-HUNG INSERT WINDOWS

FEATURES

Frame

A Fibrex® material exterior protects the frame – beautifully. Best of all, it's low-maintenance and never needs painting.*

B For exceptionally long-lasting performance, sill members are constructed with a wood core and a Fibrex® material exterior. Sill ends are protected and sealed with weather-resistant covers.

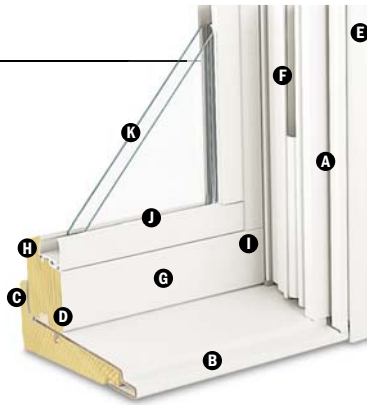
C Natural wood stops are available in pine and prefinished White, Dark Bronze and Black.

D Weatherstripping throughout the unit provides a long-lasting, energy-efficient, weather-resistant seal. For the top and bottom rails, an encased foam material is used. The head jamb liner and sill have a rigid vinyl rib that the weatherstripping material compresses against. At the check rail, compressible vinyl bulb material is used. Side jamb liners use leaf-type weatherstripping with foam inserts.

E Exterior stop covers are specially designed to allow easy application of high-quality sealant.

3 1/4" (83) "pocket window" jamb depth allows convenient replacement without disturbing interior window trim for most double-hung replacement situations.

F Jamb liners available in white or gray and must be specified when ordering. Contact your Andersen supplier for details.



Unique block-and-tackle balancers feature sized-to-the-unit, rust-resistant springs that require no adjustment. Glass-reinforced nylon balancer shoes provide smooth, reliable sash operation. They automatically lock the balancer into position when sash are tilted into wash mode.

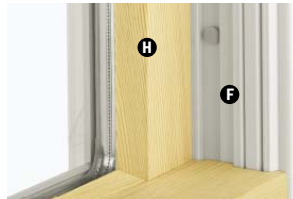
Sash

Slide wash assists make it easy to tilt the sash into wash mode.

G A polyester-stabilized coat with a Flexacron® finish is electrostatically applied to penetrate all exterior surfaces for maximum protection and a lustrous finish.

H Wood sash members are treated with a water-repellent preservative for long-lasting protection and performance. Interior surfaces are unfinished pine. Low-maintenance prefinished White interiors are also available.

I Sash joints simulate the look of traditional mortise-and-tenon construction inside and out.



Glass

J Silicone bed glazing provides superior weathertightness and durability.

K High-Performance glass options include: Low-E4,® Low-E4 HeatLock,® Low-E4 Sun, Low-E4 SmartSun™ and Low-E4 SmartSun HeatLock glass.

Tempered glass and other glass options are available. Contact your Andersen supplier.

A removable translucent film helps shield the glass from damage during delivery and construction and simplifies finishing at the jobsite.

Patterned Glass

Patterned glass options are available. See page 10 for more details.

EXTERIOR



White Canvas Sandtone Terratone



Forest Green Dark Bronze Black

INTERIOR



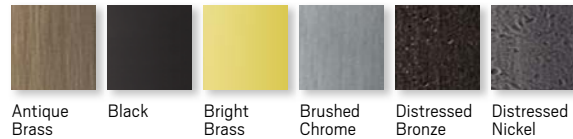
Pine White



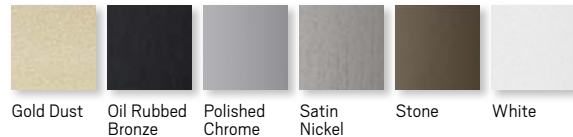
Dark Bronze** Black**

Naturally occurring variations in grain, color and texture of wood make each window one-of-a-kind. All wood interiors are unfinished unless a prefinished option is specified.

HARDWARE FINISHES



Antique Brass Black Bright Brass Brushed Chrome Distressed Bronze Distressed Nickel



Gold Dust Oil Rubbed Bronze Polished Chrome Satin Nickel Stone White

Distressed bronze and oil rubbed bronze are "living" finishes that will change with time and use. Printing limitations prevent exact duplication of colors and finishes. See your Andersen supplier for actual color and finish samples.

DOUBLE-HUNG STANDARD & OPTIONAL HARDWARE

Estate™ lock & keeper and all lifts are sold separately.

STANDARD

Lock & Keeper



Black | Gold Dust | **Stone** | White

Stone is standard with natural interior units. White comes with prefinished White interiors. Other finishes optional.

ESTATE™

Lock & Keeper



Optional Estate lock & keeper reduces the clear opening height by 3/8" (14). Check with local building code officials to determine compliance with egress requirements.

Hand Lift

Finger Lifts



Antique Brass | Bright Brass
Brushed Chrome | Distressed Bronze
Distressed Nickel | Oil Rubbed Bronze
Polished Chrome | **Satin Nickel**

Bold name denotes finish shown.

TRADITIONAL

Hand Lift

Finger Lifts

Bar Lift



Antique Brass | Black | Bright Brass | Brushed Chrome
Distressed Bronze | Distressed Nickel | Gold Dust | **Oil Rubbed Bronze**
Polished Chrome | Satin Nickel | Stone | White

CLASSIC SERIES™

Hand Lift

Finger Lifts

Bar Lift



Stone | **White**

CONTEMPORARY

Bar Lift



Antique Brass | Black | Bright Brass
Brushed Chrome | Distressed Bronze
Distressed Nickel | Gold Dust
Oil Rubbed Bronze | Polished Chrome
Satin Nickel | Stone | White

* Visit andersenwindows.com/warranty for details.

** Dark Bronze and Black interiors are only available with Dark Bronze and Black exteriors respectively.

"Flexacron" is a registered trademark of PPG Industries, Inc. Dimensions in parentheses are in millimeters.

Exterior Stop Cover



An exterior stop cover provides a clean transition from new window to the existing window casing.

Sill Angles

Three sill angles are available — 0°, 8° and 14° — to closely match the existing sill in window replacement applications. See page 105 for more details.



0° Sill Angle



8° Sill Angle



14° Sill Angle

For more information about **glass, patterned glass, art glass, grilles and TruScene® insect screen** see pages 10-17.

For more information about **product performance, installation accessories and warranty** see pages 269-291 or visit

 andersenwindows.com

Sill Angle Finder App

Our *Sill Angle Finder App* lets you quickly and easily find the sill angle of existing double-hung windows. Available for free for both iPhone® and Android™ smartphones. Download app for iPhone from the App Store™ or for Android smartphones from the Google Play Store. The app is only available for smartphones, as tablets and other large devices are too bulky for measuring window sill angles.

Included Installation Materials



Flat, self-hanging shims, backer rod, installation screws and complete instructions are included with each insert window. Measurement guide and worksheet at andersenwindows.com/measure.

Sash Options*



Cottage Style

Reverse Cottage Style

ACCESSORIES Sold Separately

Sash

Window Opening Control Device



A new recessed window opening control device is available factory applied. It limits the sash travel to 4" (102) when the window is first opened. Available in Stone, White and Black.

Security Sensors

VeriLock® Sensors

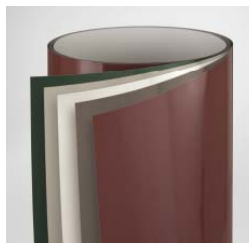
VeriLock sensors are available in five colors. See page 30 for details.

Open/Closed Sensors

Wireless open/closed sensors are available in four colors. See page 30 for details.

Installation

Coil Stock



Andersen® aluminum coil stock can be ordered to match any of our 11 trim colors. Made from .018 thick aluminum, Andersen coil stock is available in 24" (610) x 50' (15,240) rolls. Color-matched stainless steel trim nails 1 1/4" (32) long are also available and can be ordered in 1 lb. or 454 gram boxes.

Glass

Andersen® Art Glass

Available for tilt-wash transom and picture units. Andersen art glass panels come in a variety of original patterns. See pages 213-214 for details on Andersen art glass. Visit andersenwindows.com/artglass for details and pattern information.

Insect Screens

Insect Screen Frames



Choose full insect screen or half insect screen. Half insect screen (shown above) allows ventilation without affecting the view through the upper sash. Frames are available in colors to match product exteriors.

TruScene® Insect Screen

Exclusive Andersen® TruScene® insect screens provide over 50% more clarity than our conventional insect screens for a beautiful unobstructed view. They allow more fresh air and sunlight in, while doing a better job of keeping out small insects.

Conventional Insect Screen

Conventional insect screens have charcoal powder-coated aluminum screen mesh.

Grilles

Grilles are available in a variety of configurations and widths. For double-hung grille patterns, see page 106.

CAUTION:

- Painting and staining may cause damage to rigid vinyl.
- Do not paint 400 Series windows with White, Canvas, Sandtone, Forest Green, Dark Bronze or Black exterior colors.
- Andersen does not warrant the adhesion or performance of homeowner-applied paint over vinyl or other factory-coated surfaces.
- 400 Series windows in Terratone color may be painted any color lighter than Terratone color using quality oil-base or latex paint.
- For vinyl painting instructions and preparation, contact your Andersen supplier.
- Do not paint weatherstripping.
- Creosote-based stains should not come in contact with Andersen products.
- Abrasive cleaners or solutions containing corrosive solvents should not be used on Andersen products.

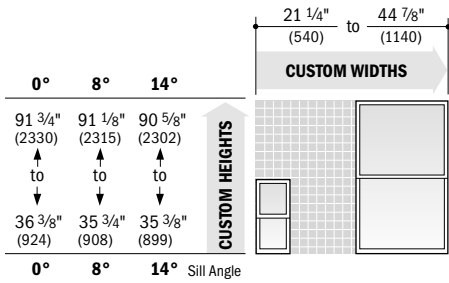
* Shown on 400 Series Tilt-Wash double-hung full-frame windows. Dimensions in parentheses are in millimeters.

“iPhone” and “App Store” are registered trademarks of Apple Inc. “Android” is a trademark of Google Inc.

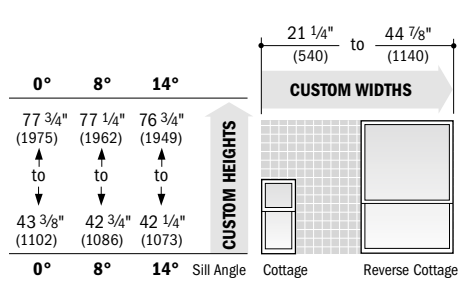
TILT-WASH DOUBLE-HUNG INSERT WINDOWS

Tilt-Wash Double-Hung Insert Window Sizes

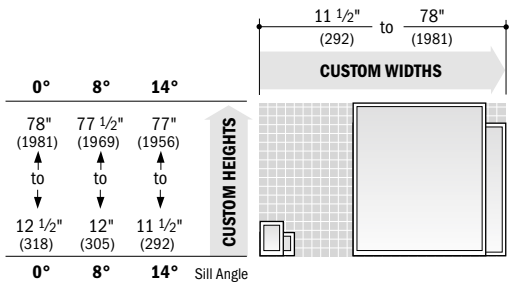
Double-Hung - Equal Sash



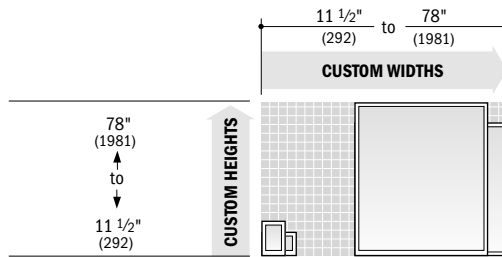
Double-Hung - 2:3 Cottage & 3:2 Reverse Cottage Sash



Picture



Transom



Available in 1/8" (3) increments between minimum and maximum widths and heights. Height limits for double-hung and picture insert windows depend on new insert window sill angle.

For picture and transom insert windows, either height or width must be 68" (1727) or less and height plus width cannot be less than 28" (711).

Measurement guide for custom sized windows can be found at andersenwindows.com/measure. Grille patterns shown on page 106.

Tilt-Wash Double-Hung Insert Window Specification Formulas

Vent Opening	Width = window width - 3.798" (96)				
	Height = Depends on sash ratio and specific sill angle of insert window, see below.				
	sash ratio	clear opening height	sill angle deduction		
			14°	8°	0°
	1:1 Equal	= (window height ÷ 2) - sill angle deduction	3.602" (91)	3.836" (97)	4.138" (105)
2:3 Cottage	= (window height x 2) ÷ 5 - sill angle deduction	2.879" (73)	3.066" (78)	3.308" (84)	
3:2 Reverse Cottage	= (window height x 2) ÷ 5 - sill angle deduction	2.083" (53)	2.270" (58)	2.512" (64)	
Unobstr. Glass	Width = window width - 6.219" (158)				
	Height = Depends on sash ratio and specific sill angle of insert window, see below.				
	sash	unobstructed glass height	sill angle deduction		
			14°	8°	0°
	Equal Upper and Lower Sash	= (window height ÷ 2) - sill angle deduction	3.625" (92)	3.844" (98)	4.156" (106)
Cottage Upper Sash or Reverse Cottage Lower Sash	= (window height x 2) ÷ 5 - sill angle deduction	2.891" (73)	3.078" (78)	3.328" (85)	
Cottage Lower Sash or Reverse Cottage Upper Sash	= (window height x 2) ÷ 5 - sill angle deduction	4.344" (110)	4.625" (117)	4.984" (127)	

Optional Estate™ hardware will reduce vent opening height by 7/32" (6).

For clear opening specifications, contact your Andersen supplier.

Tilt-Wash Picture and Transom Insert Window Specifications

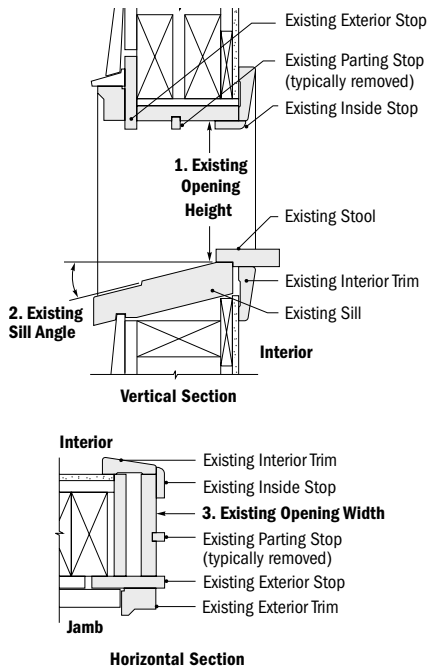
Unobstr. Glass	Picture Insert		Transom Insert		
		Width = window width - 6.0" (152)		Width = window width - 6.0" (152)	
Height = Depends on sash ratio and specific sill angle of insert window, see below.		Height = window width - 6.0" (152)			
unobstructed glass height		sill angle deductions			
		14°	8°	0°	
	= window height - sill angle deduction	5.816" (148)	6.285" (160)	6.890" (175)	

- Dimensions in parentheses are in millimeters.
- **Clear Opening** formulas provide dimensions for determining area available for egress. **Vent Opening** formulas provide dimensions for determining area available for passage of air. **Unobstr. Glass** (unobstructed glass) formulas provide dimensions for determining area available for passage of light.
- Refer to andersenwindows.com/measure for detailed instructions on how to properly measure for insert windows.

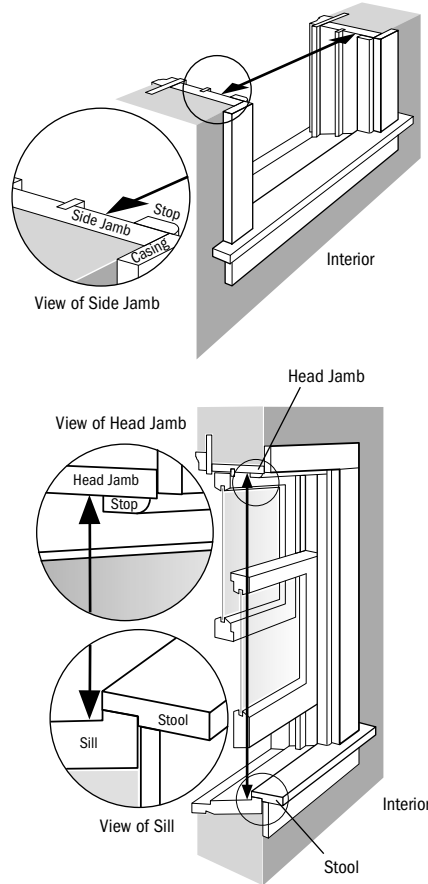
Existing Window Measurements

Required measurements:

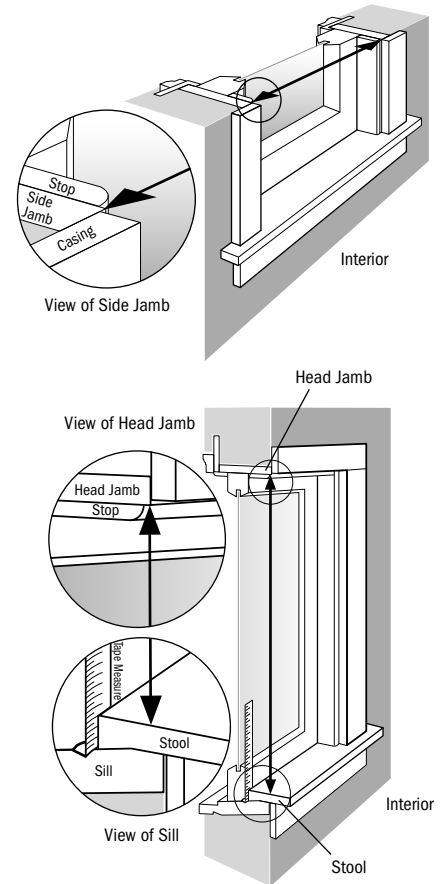
1. Existing Opening Height
2. Existing Sill Angle
3. Existing Opening Width



Existing Double-Hung Window



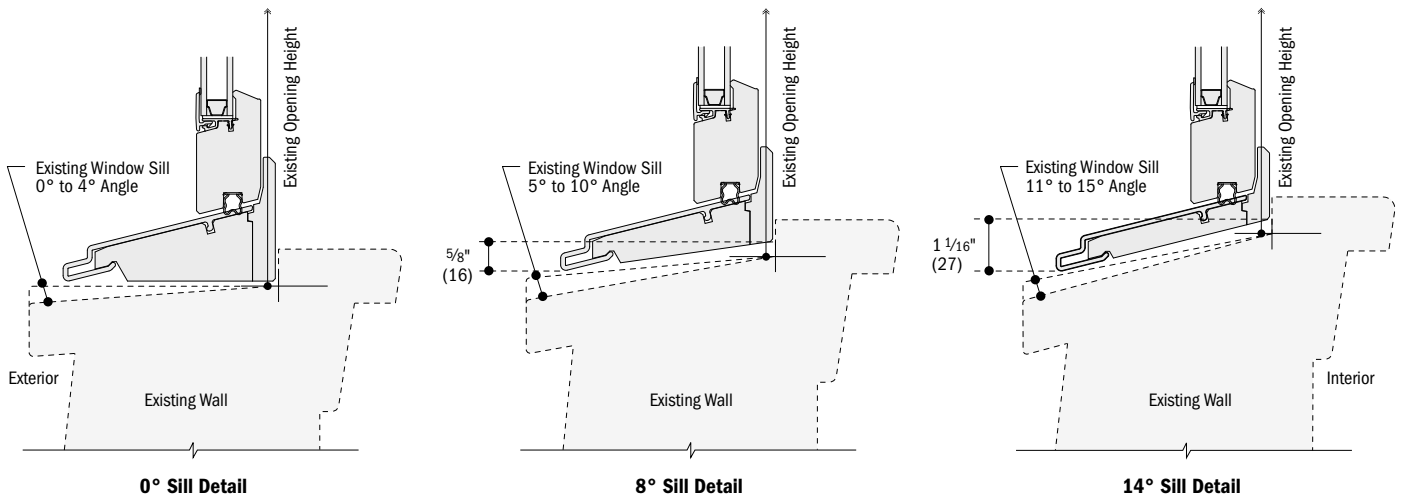
Existing Picture Window



Sill Angle Details

Scale 3" (76) = 1'-0" (305) – 1:4

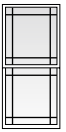
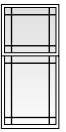
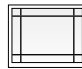
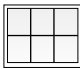
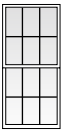

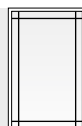
Select a sill angle that most closely matches your existing sill angle.
Windows with a smaller sill angle will have a larger maximum height.
A "Sill Angle Finder App" is available, see page 103.



- Details are for illustration only and are not intended to represent product installation methods or materials. Refer to product installation guides at andersenwindows.com.
- Dimensions in parentheses are in millimeters.
- Refer to andersenwindows.com/measure for detailed instructions on how to properly measure for insert windows.

TILT-WASH DOUBLE-HUNG INSERT WINDOWS

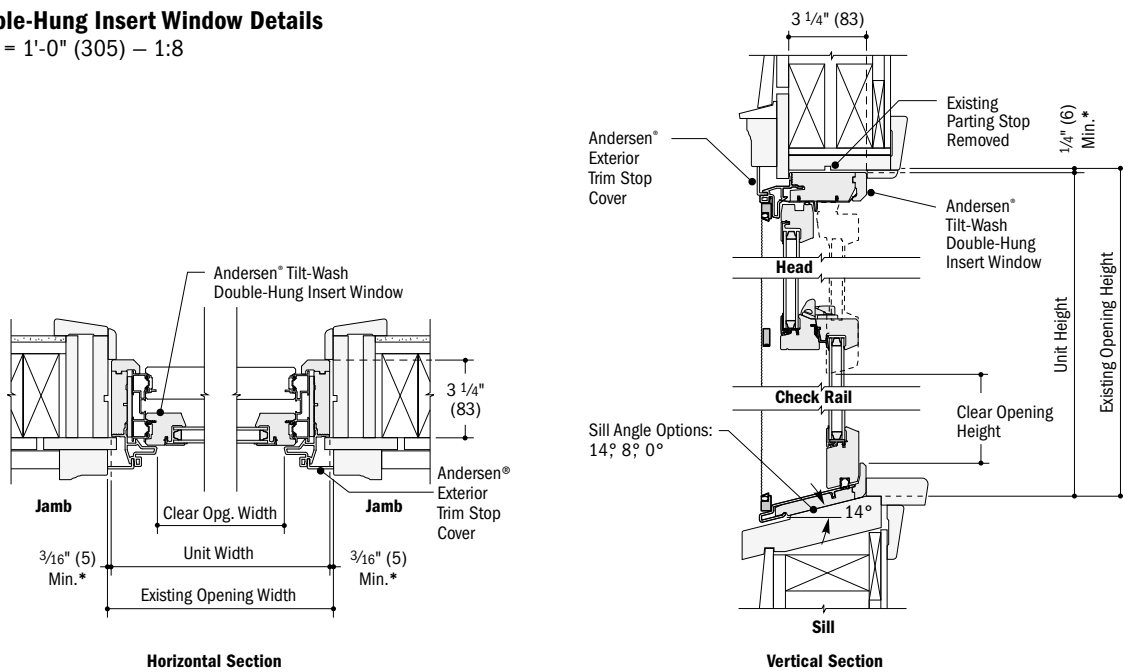
Grille Patterns

	Prairie A	Specified Equal Light		Prairie A	Specified Equal Light
Tilt-Wash Double-Hung Insert			Tilt-Wash Transom Insert		
				Tilt-Wash Picture Insert	

Patterns for double-hung windows are also available in Upper Sash Only (USO) configurations. For picture window patterns that require alignment with double-hung window patterns, identify the sash style (equal, cottage, reverse cottage) when ordering. **Number of lights and overall pattern varies with window size. Patterns are not available in all configurations.** For more information on divided light, see page 11 or visit andersenwindows.com/grilles.

Tilt-Wash Double-Hung Insert Window Details

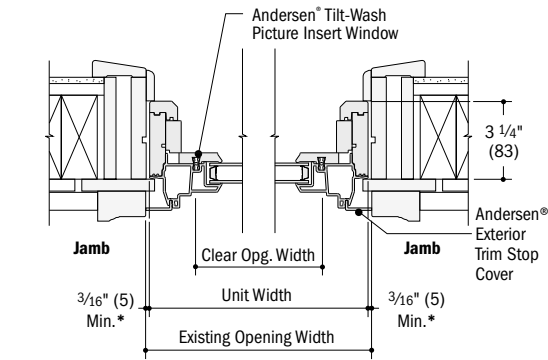
Scale 1 1/2" (38) = 1'-0" (305) – 1:8



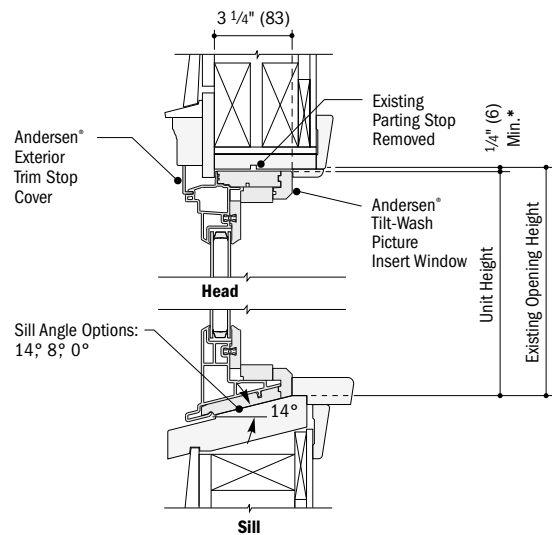
• Light-colored areas are parts included with window. Dark-colored areas are additional Andersen® parts required to complete window assembly as shown.
 • Details are for illustration only and are not intended to represent product installation methods or materials. Refer to product installation guides at andersenwindows.com.
 • Dimensions in parentheses are in millimeters.
 *Refer to andersenwindows.com/measure for detailed instructions on how to properly measure for insert windows.

Tilt-Wash Picture Insert Window Details

Scale 1 1/2" (38) = 1'-0" (305) – 1:8



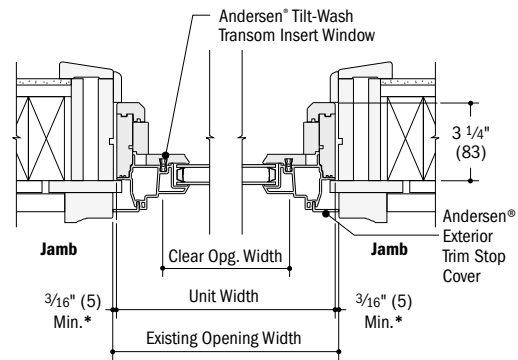
Horizontal Section



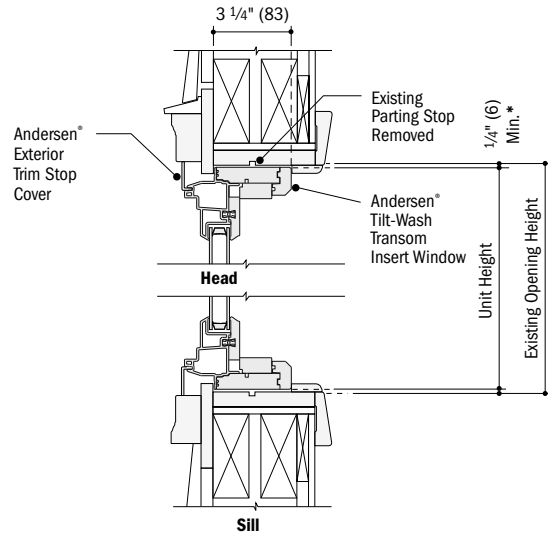
Vertical Section

Tilt-Wash Transom Insert Window Details

Scale 1 1/2" (38) = 1'-0" (305) – 1:8



Horizontal Section

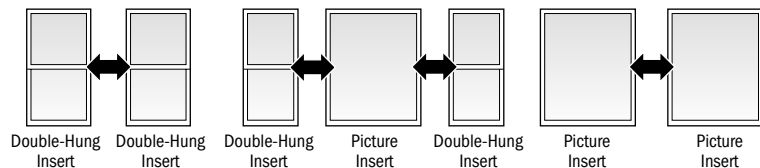
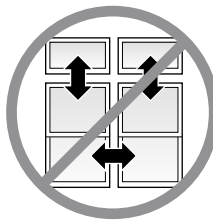
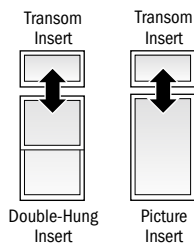


Vertical Section

Joining Combinations

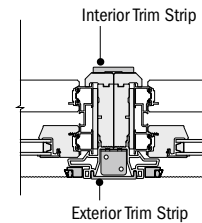
Join insert windows in 1-way combinations horizontally or vertically.

Do not join insert windows in 2-way combinations.



Vertical (ribbon) Joining Detail

Scale 1 1/2" (38) = 1'-0" (305) – 1:8



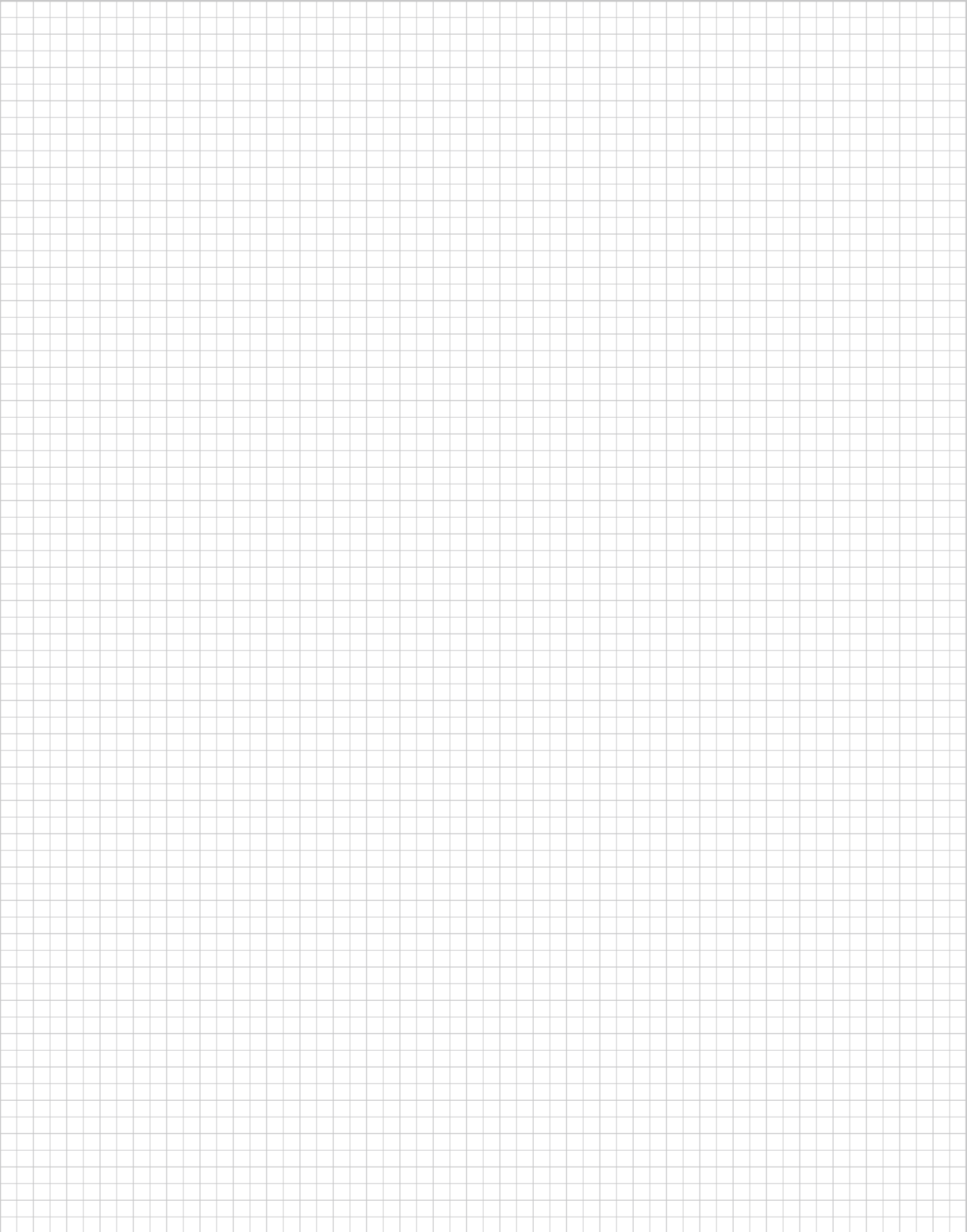
Horizontal Section

Tilt-Wash Double-Hung Insert to Tilt-Wash Double-Hung Insert

For more joining information, see the combination designs section starting on page 255.

• Light-colored areas are parts included with window. Dark-colored areas are additional Andersen® parts required to complete window assembly as shown.
• Details are for illustration only and are not intended to represent product installation methods or materials. Refer to product installation guides at andersenwindows.com.
• Dimensions in parentheses are in millimeters.
*Refer to andersenwindows.com/measure for detailed instructions on how to properly measure for insert windows.

TILT-WASH DOUBLE-HUNG INSERT WINDOWS



BAY & BOW WINDOWS

CUSTOM SIZING

in 1/8" (3) increments
for select products



SECTION REFERENCE

Casement

Tables of Sizes	112-113
Window Details	114-115

Custom Casement

Tables of Sizes	116-117
-----------------------	---------

Double-Hung

Tables of Sizes	118-121
Window Details	122

Dimensions in parentheses are in millimeters.

BAY & BOW WINDOWS

FEATURES

Casement Bay & Bow Windows

Constructed using basic casement windows. Some options must be specified to complete an order. These include color, glass and hardware.

A Pre-milled mullion posts join individual casement windows together into 30° angle bay, 45° angle bay, 90° box bay and 10° bow window units. Mullion posts lock into a channel in each adjoining casement window for a sturdy, easy-to-install unit. The exterior is sheathed with vinyl cladding; the interior is trimmed in natural wood, which can be finished to enhance any décor.

B Andersen® auxiliary casing is supplied as trim to finish the top of 30° angle bay, 45° angle bay and 10° bow windows. Auxiliary casing is an option for 90° box bay windows.

C Platforms made of 3/4" (19) plywood at the head and sill of bay and bow windows provide added strength to the assembly.

Custom bay and bow windows are available in a wide variety of unit configurations. Contact your Andersen supplier for details.



Woodwright® & Tilt-Wash Double-Hung Bay Windows

Constructed using basic double-hung windows. Some options must be specified to complete an order. These include color and glass.

D Pre-milled mullion posts join individual units together into 30° angle bay and 45° angle bay window units for a sturdy, easy-to-install unit. The exterior is sheathed with vinyl cladding; the interior is trimmed in natural wood, which can be finished to enhance any décor.

E Andersen auxiliary casing is mitered, joined and installed as trim to finish the top of 30° and 45° angle bay windows. Cellular Fibrex® is covered in vinyl cladding.

F Platforms made of 3/4" (19) plywood at the head and sill of bay and bow windows provide added strength to the assembly.

30° Casement Angle Bay Window



45° Double-Hung Angle Bay Window



10° Casement Bow Window



90° Casement Box Bay Window



Dimensions in parentheses are in millimeters.

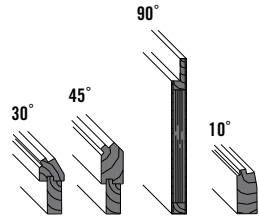
Installation of custom bay units having a projection greater than 24" (610) requires the expertise of a structural engineer to determine needed structural support. Failure to use sufficient structural support could result in personal injury or damage to windows or other property. Each cable within the system can support a maximum load of 500 lbs. or 227 kg. If the section of the window unit requiring support exceeds 500 lbs. or 227 kg., additional support is needed.

OPTIONS Please refer to the individual 400 Series product selections for a full list of options and accessories.

Frame

Casement

Extension Jamb and Extension Jamb Adapters

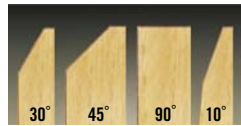


Extension jamb and extension jamb adapters are available in unfinished pine and prefinished White, Dark Bronze or Black.

For 30° and 45° bay windows, extension jamb are available in 1/8" (3) increments between 4 9/16" (116) and 7 1/8" (181). Some sizes may be veneered.

For box bay and bow windows, extension jamb are available in 1/16" (1.5) increments between 5 1/4" (133) and 7 1/8" (181). For wall depths less than 5 1/4" (133), order 5 1/4" (133) extension jamb and trim to fit.

Head and Seat Boards



Head and seat boards are available in unfinished pine, oak, maple and prefinished White, Dark Bronze or Black.

For 30° and 45° bay windows, head and seat boards are available in 1/16" (1.5) increments between 4 9/16" (116) and 7 1/8" (181).

For box bay and bow windows, head and seat boards are available in 1/16" (1.5) increments between 5 1/4" (133) and 7 1/8" (181). For wall depths less than 5 1/4" (133), order 5 1/4" (133) head and seat boards and trim to fit.

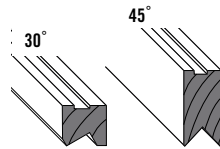
For more information about **glass, patterned glass, art glass, grilles and TruScene® insect screen** see pages 10-17.

For more information about **installation accessories and warranty** see pages 288-291 or visit

 andersenwindows.com

Double-Hung

Extension Jamb and Extension Jamb Adapters



Extension jamb and extension jamb adapters are available in unfinished pine and prefinished White, Dark Bronze or Black.

Jamb depth of the unit plus extension jamb adapter is 4 1/2" (114). Extension jamb are available in 1/16" (1.5) increments between 5 1/16" (129) and 7 1/8" (181). Some sizes may be veneered.

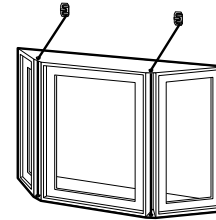
Head and Seat Boards



Head and seat boards are available in unfinished pine, oak, maple and prefinished White, Dark Bronze or Black. Available in 1/16" (1.5) increments to match wall thicknesses between 5 1/4" (133) and 7 1/8" (181). Some sizes may be veneered.

Installation

Cable Support



A cable provides additional support. Recommended for installations that extend out from the structure, without a framed support wall beneath the unit. Each cable within the system can support a maximum load of 500 lbs. or 227 kg. If the section of the window unit requiring support exceeds 500 lbs. or 227 kg., additional support is necessary. Failure to use sufficient structural support could result in personal injury or damage to windows or other property.

⚠ WARNING
Proper support of projecting bow and bay windows is required, see installation instructions. Failure to do so may result in injury, product or property damage.

CAUTION:

- Painting and staining may cause damage to rigid vinyl.
- Do not paint 400 Series windows with White, Canvas, Sandtone, Forest Green, Dark Bronze or Black exterior colors.
- Andersen does not warrant the adhesion or performance of homeowner-applied paint over vinyl or other factory-coated surfaces.
- 400 Series windows in Terratone color may be painted any color lighter than Terratone color using quality oil-base or latex paint.
- For vinyl painting instructions and preparation, contact your Andersen supplier.
- Do not paint weatherstripping.
- Creosote-based stains should not come in contact with Andersen products.
- Abrasive cleaners or solutions containing corrosive solvents should not be used on Andersen products.

BAY & BOW WINDOWS

Table of Casement 30° Angle Bay Windows

		Projection 13 3/4" (349)				
		13 3/4" (349)		13 3/4" (349)		13 3/4" (349)
WIDTHS						
	Window Dimension	5'-10" (1778)	7'-9 7/8" (2384)	7'-9 7/8" (2384)	9'-9 3/4" (2991)	9'-9 3/4" (2991)
	Minimum Rough Opening	5'-9 1/8" (1756)	7'-9" (2362)	7'-9" (2362)	9'-8 7/8" (2969)	9'-8 7/8" (2969)
HEIGHTS	3'-1 7/16" (951)	30-C13-20	30-C23-20	30-P4030-20	30-C33-20	30-P6030-20
	3'-2" (965)					
	3'-6 5/16" (1075)	30-C135-20	30-C235-20	30-P4035-20	30-C335-20	30-P6035-20
	3'-6 7/8" (1089)					
	4'-1 1/2" (1257)	30-C14-20	30-C24-20	30-P4040-20	30-C34-20	30-P6040-20
	4'-2" (1270)					
	4'-6 5/16" (1380)	30-C145-20	30-C245-20	30-P4045-20	30-C345-20	30-P6045-20
	4'-6 7/8" (1394)					
	5'-1 3/8" (1559)	30-C15-20	30-C25-20	30-P4050-20	30-C35-20	30-P6050-20
	5'-1 7/8" (1572)					
	5'-6 5/16" (1684)	30-C155-20	30-C255-20	30-P4055-20		
	5'-6 7/8" (1699)					
	6'-1 3/8" (1864)	30-C16-20	30-C26-20	30-P4060-20		
	6'-1 7/8" (1876)					

Table of Casement 45° Angle Bay Windows

		Projection 19 3/16" (487)				
		19 3/16" (487)		19 3/16" (487)		19 3/16" (487)
WIDTHS						
	Window Dimension	5'-4 1/8" (1629)	7'-3 7/8" (2232)	7'-3 7/8" (2232)	9'-3 3/4" (2838)	9'-3 3/4" (2838)
	Minimum Rough Opening	5'-2 5/8" (1591)	7'-2 1/2" (2197)	7'-2 1/2" (2197)	9'-2 3/8" (2804)	9'-2 3/8" (2804)
HEIGHTS	3'-1 7/16" (951)	45-C13-20	45-C23-20	45-P4030-20	45-C33-20	45-P6030-20
	3'-2" (965)					
	3'-6 5/16" (1075)	45-C135-20	45-C235-20	45-P4035-20	45-C335-20	45-P6035-20
	3'-6 7/8" (1089)					
	4'-1 1/2" (1257)	45-C14-20	45-C24-20	45-P4040-20	45-C34-20	45-P6040-20
	4'-2" (1270)					
	4'-6 5/16" (1380)	45-C145-20	45-C245-20	45-P4045-20	45-C345-20	45-P6045-20
	4'-6 7/8" (1394)					
	5'-1 3/8" (1559)	45-C15-20	45-C25-20	45-P4050-20	45-C35-20	45-P6050-20
	5'-1 7/8" (1572)					
	5'-6 5/16" (1684)	45-C155-20	45-C255-20	45-P4055-20		
	5'-6 7/8" (1699)					
	6'-1 3/8" (1864)	45-C16-20	45-C26-20	45-P4060-20		
	6'-1 7/8" (1876)					

Custom-size windows are available in 1/8" (3) increments. See pages 116-117 for more information.



⚠ WARNING

Proper support of projecting bow and bay windows is required, see installation instructions. Failure to do so may result in injury, product or property damage.

In addition to venting shown in tables, other standard configurations are available. Choose left venting, right venting or stationary as viewed from the exterior.

- "Projection" refers to outside of the exterior sheathing to the outer edge of the window.
- "Window Dimension" always refers to outside frame to frame dimension.
- **"Minimum Rough Opening" dimensions may need to be increased to allow for use of building wraps, flashing, sill panning, brackets, fasteners or other items. See pages 288-289 for more details.**
- One Andersen cable kit is included with the unit for proper installation. Each cable supports a maximum load of 500 lbs. or 227 kg; additional support is necessary for loads exceeding 500 lbs. or 227 kg.
- Angle bay and bow windows include only the basic unit. Roof and other installation materials provided by other manufacturers.
- For walkout angle bay and bow window details and installation guidelines, contact your Andersen supplier or visit our website at andersenwindows.com/adf.
- Dimensions in parentheses are in millimeters.

Table of Casement 90° Box Bay Windows

		Projection 22 15/16" (583)		Projection 22 15/16" (583)		Projection 22 15/16" (583)		Projection 22 15/16" (583)	
WIDTHS									
Window Dimension		4'-8 1/4" (1429)	4'-8 1/4" (1429)	6'-8 1/8" (2035)	6'-8 1/8" (2035)				
Minimum Rough Opening		4'-1 5/8" (1260)	4'-1 5/8" (1260)	6'-1 1/2" (1867)	6'-1 1/2" (1867)				
HEIGHTS	3'-1 7/16" (951)	90-C23-15	90-P4030-15	90-C33-15	90-P6030-15				
	3'-2" (965)								
	3'-6 5/16" (1075)	90-C235-15	90-P4035-15	90-C335-15	90-P6035-15				
	3'-6 7/8" (1089)								
	4'-1 1/2" (1257)	90-C24-15	90-P4040-15	90-C34-15	90-P6040-15				
	4'-2" (1270)								
	4'-6 5/16" (1380)	90-C245-15	90-P4045-15	90-C345-15	90-P6045-15				
	4'-6 7/8" (1394)								
	5'-1 3/8" (1559)	90-C25-15	90-P4050-15	90-C35-15	90-P6050-15				
	5'-1 7/8" (1572)								
	5'-6 5/16" (1684)	90-C255-15	90-P4055-15						
	5'-6 7/8" (1699)								
	6'-1 3/8" (1864)	90-C26-15	90-P4060-15						
	6'-1 7/8" (1876)								



Custom-size windows are available in 1/8" (3) increments. See pages 116-117 for more information.

In addition to venting shown in tables, other standard configurations are available. Choose left venting, right venting or stationary as viewed from the exterior.

Table of Casement 10° Bow Windows

		Projection 5 9/16" (141)		Projection 9 13/16" (249)		Projection 14" (356)		Projection 20 5/16" (516)		Projection 26 3/8" (670)	
WIDTHS											
Window Dimension		6'-1 9/16" (1868)	8'-1 9/16" (2478)	10'-0 3/4" (3067)	11'-11 1/16" (3634)	13'-8 5/16" (4174)					
Minimum Rough Opening		6'-1 5/8" (1862)	8'-1 3/8" (2473)	10'-0 3/8" (3058)	11'-10 1/2" (3620)	13'-7 1/2" (4153)					
HEIGHTS	3'-1 7/16" (951)	C33 BOW	C43 BOW	C53 BOW	C63 BOW	C73 BOW					
	3'-2" (965)										
	3'-6 5/16" (1075)	C335 BOW	C435 BOW	C535 BOW	C635 BOW	C735 BOW					
	3'-6 7/8" (1089)										
	4'-1 1/2" (1257)	C34 BOW	C44 BOW	C54 BOW	C64 BOW	C74 BOW					
	4'-2" (1270)										
	4'-6 5/16" (1380)	C345 BOW	C445 BOW	C545 BOW	C645 BOW	C745 BOW					
	4'-6 7/8" (1394)										
	5'-1 3/8" (1559)	C35 BOW	C45 BOW	C55 BOW	C65 BOW	C75 BOW					
	5'-1 7/8" (1572)										
	5'-6 5/16" (1684)	C355 BOW	C455 BOW	C555 BOW	C655 BOW	C755 BOW					
	5'-6 7/8" (1699)										
	6'-1 3/8" (1864)	C36 BOW	C46 BOW	C56 BOW	C66 BOW	C76 BOW					
	6'-1 7/8" (1876)										

⚠ WARNING

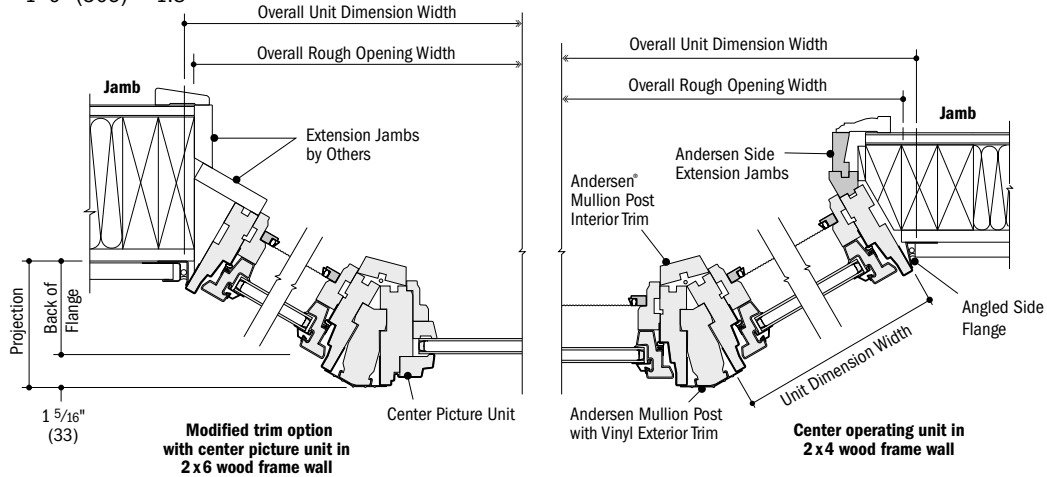
Proper support of projecting bow and bay windows is required, see installation instructions. Failure to do so may result in injury, product or property damage.

- "Projection" refers to outside of the exterior sheathing to the outer edge of the window.
- "Window Dimension" always refers to outside frame to frame dimension.
- **"Minimum Rough Opening" dimensions may need to be increased to allow for use of building wraps, flashing, sill panning, brackets, fasteners or other items. See pages 288-289 for more details.**
- One Andersen cable kit is included with the unit for proper installation. Each cable supports a maximum load of 500 lbs. or 227 kg; additional support is necessary for loads exceeding 500 lbs. or 227 kg.
- Angle bay and bow windows include only the basic unit. Roof and other installation materials provided by other manufacturers.
- For walkout angle bay and bow window details and installation guidelines, contact your Andersen supplier or visit our website at andersenwindows.com/adf.
- Dimensions in parentheses are in millimeters.

BAY & BOW WINDOWS

Casement 30° Angle Bay Window Detail

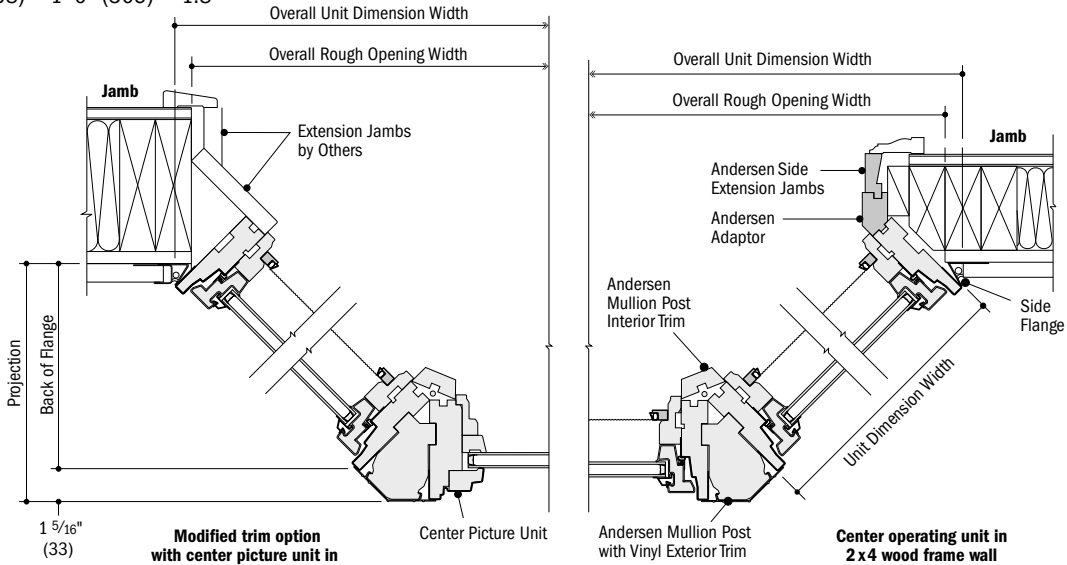
Scale 1 1/2" (38) = 1'-0" (305) – 1:8



Horizontal Section

Casement 45° Angle Bay Window Detail

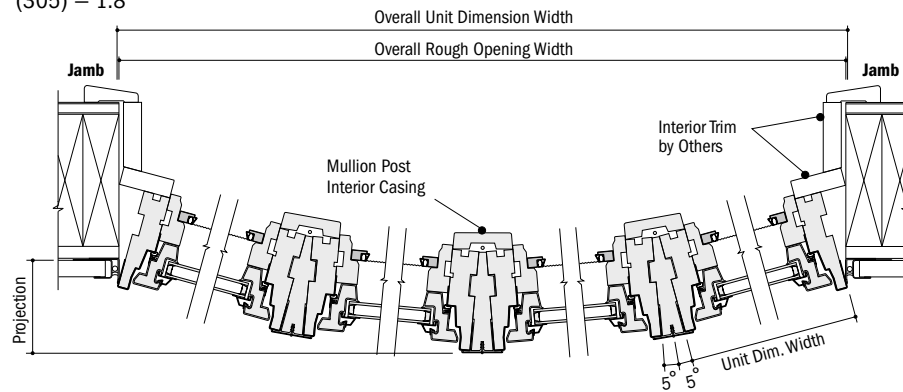
Scale 1 1/2" (38) = 1'-0" (305) – 1:8



Horizontal Section

Casement 10° Bow Window Detail

Scale 1 1/2" (38) = 1'-0" (305) – 1:8

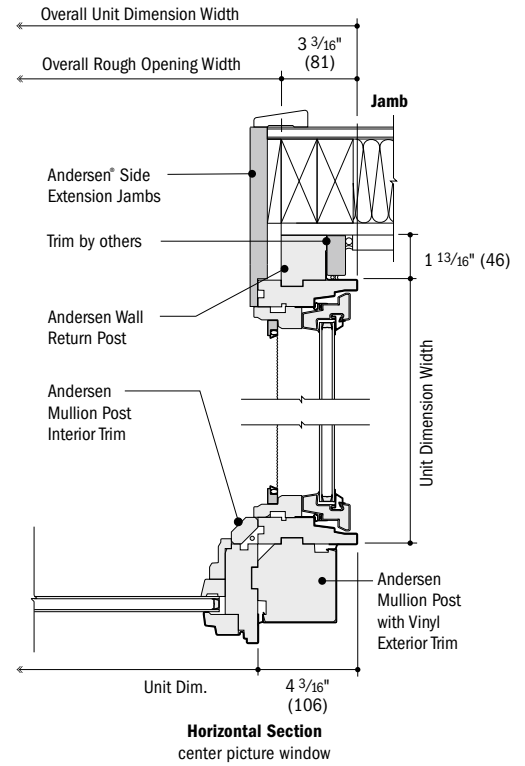
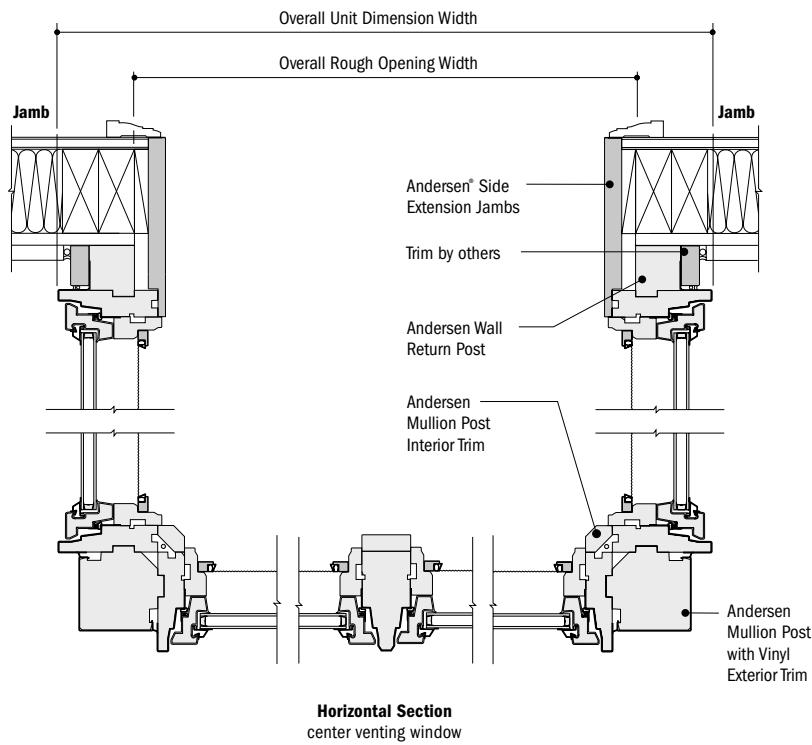


Horizontal Section

- Light-colored areas are parts included with window. Dark-colored areas are additional Andersen® parts required to complete window assembly as shown.
- Rough openings may need to be increased to allow for use of building wraps, flashing, sill panning, brackets, fasteners or other items. See installation information on pages 288-289.
- Details are for illustration only and are not intended to represent product installation methods or materials. Refer to unit installation guides at andersenwindows.com.
- Dimensions in parentheses are in millimeters.

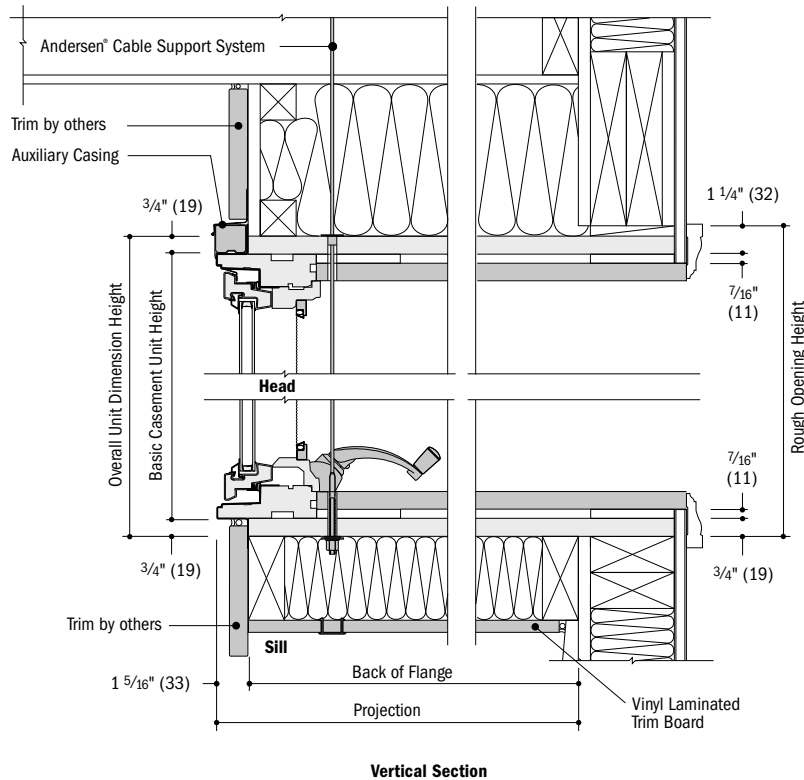
Casement 90° Box Bay Window Details

Scale 1 1/2" (38) = 1'-0" (305) – 1:8



Casement 30° & 45° Angle Bay, 10° Bow & 90° Box Bay Window Detail

Scale 1 1/2" (38) = 1'-0" (305) – 1:8



- Light-colored areas are parts included with window. Dark-colored areas are additional Andersen® parts required to complete window assembly as shown.
- **Rough openings may need to be increased to allow for use of building wraps, flashing, sill panning, brackets, fasteners or other items. See installation information on pages 288-289.**
- Details are for illustration only and are not intended to represent product installation methods or materials. Refer to unit installation guides at andersenwindows.com.
- Dimensions in parentheses are in millimeters.

BAY & BOW WINDOWS



Custom sized in 1/8" (3) increments between minimum and maximum width and height dimensions.

In addition to venting shown in tables, other standard configurations are available.

Choose left venting, right venting or stationary as viewed from the exterior.

Measurement guide can be found at andersenwindows.com/measure.

Custom Casement 30° Angle Bay Window Size and Projection Range

Sash Ratio Window Configuration	Center Window Venting Configuration	Window Dimension				Projection		
		Minimum Width Inches/(mm)	Maximum Width Inches/(mm)	Minimum Height Inches/(mm)	Maximum Height Inches/(mm)	Minimum Inches/(mm)	Maximum Inches/(mm)	
1:1:1 	Venting or Stationary	50" (1270)	101 1/2" (2578)	X	26 1/8" (664)	73 7/8" (1876)	10 1/4" (260)	19 5/8" (498)
1:2:1 	Venting or Stationary	67 3/8" (1711)	137 1/2" (3493)	X	26 1/8" (664)	73 7/8" (1876)	10 1/4" (260)	19 5/8" (498)
1:2:1 	Picture	70 7/8" (1800)	115 1/4" (2927)	X	38" (965)	73 7/8" (1876)	10 3/4" (273)	16 5/8" (422)
		115 1/4" (2927)	137 5/8" (3496)	X	38" (965)	61 7/8" (1571)	16 5/8" (422)	19 5/8" (498)
1:3:1 	Venting or Stationary	84 1/2" (2146)	144" (3658)	X	26 1/8" (664)	73 7/8" (1876)	10 1/4" (260)	16 1/2" (419)
1:3:1 	Picture	83 7/8" (2130)	97 7/8" (2486)	X	38" (965)	73 7/8" (1876)	10 1/4" (260)	11 5/8" (295)
		97 7/8" (2486)	116 7/8" (2969)	X	38" (965)	61 7/8" (1571)	11 5/8" (295)	13 5/8" (346)

Custom Casement 45° Angle Bay Window Size and Projection Range

Sash Ratio Window Configuration	Center Window Venting Configuration	Window Dimension				Projection		
		Minimum Width Inches/(mm)	Maximum Width Inches/(mm)	Minimum Height Inches/(mm)	Maximum Height Inches/(mm)	Minimum Inches/(mm)	Maximum Inches/(mm)	
1:1:1 	Venting or Stationary	45 3/8" (1162)	91 1/4" (2318)	X	26 1/8" (664)	73 7/8" (1876)	14 3/16" (360)	27 1/2" (699)
1:2:1 	Venting or Stationary	63" (1600)	127 1/4" (3232)	X	26 1/8" (664)	73 7/8" (1876)	14 1/4" (362)	27 1/2" (699)
1:2:1 	Picture	66" (1676)	106 7/8" (2715)	X	38" (965)	73 7/8" (1876)	14 7/8" (378)	23 1/4" (591)
		106 7/8" (2715)	127 1/4" (3232)	X	38" (965)	61 7/8" (1571)	23 1/4" (591)	27 1/2" (699)
1:3:1 	Venting or Stationary	80 1/8" (2035)	144" (3658)	X	26 1/8" (664)	73 7/8" (1876)	14 1/4" (362)	24 5/16" (618)
1:3:1 	Picture	79 5/8" (2023)	92 3/4" (2356)	X	38" (965)	73 7/8" (1876)	14 3/16" (360)	16 1/4" (413)
		92 3/4" (2356)	110 3/8" (2804)	X	38" (965)	61 7/8" (1571)	16 1/4" (413)	19" (483)

⚠ WARNING

Proper support of projecting bow and bay windows is required, see installation instructions. Failure to do so may result in injury, product or property damage.

- "Projection" refers to outside of the exterior sheathing to the outer edge of the window.
- "Window Dimension" always refers to outside frame to frame dimension.
- "Minimum Rough Opening" dimensions may need to be increased to allow for use of building wraps, flashing, sill panning, brackets, fasteners or other items. See pages 288-289 for more details.
- One Andersen cable kit is included with the unit for proper installation. Each cable supports a maximum load of 500 lbs. or 227 kg; additional support is necessary for loads exceeding 500 lbs. or 227 kg.
- Angle bay and bow windows include only the basic unit. Roof and other installation materials provided by other manufacturers.
- For walkout angle bay and bow window details and installation guidelines, contact your Andersen supplier or visit our website at andersenwindows.com/adf.
- Refer to andersenwindows.com/measure for detailed instructions on how to properly measure for custom-size windows.
- Dimensions in parentheses are in millimeters.



Custom sized in 1/8" (3) increments between minimum and maximum width and height dimensions.

In addition to venting shown in tables, other standard configurations are available. Choose left venting, right venting or stationary as viewed from the exterior. Measurement guide can be found at andersenwindows.com/measure.

Custom Casement 90° Box Bay Window Size and Projection Range

Window Configuration	Center Window Venting Configuration	Window Dimension				Flanker		Projection		
		Minimum Width Inches/(mm)	Maximum Width Inches/(mm)	Minimum Height Inches/(mm)	Maximum Height Inches/(mm)	Minimum Width Inches/(mm)	Maximum Width Inches/(mm)	Minimum Depth Inches/(mm)	Maximum Depth Inches/(mm)	
	Picture	38 1/4" (972)	61 7/8" (1572)	X	38" (965)	73 7/8" (1876)	17" (432)	35 1/8" (911)	21 1/2" (546)	40 3/8" (1026)
	Picture	61 1/8" (1572)	74 1/8" (1883)	X	38" (965)	61 1/8" (1572)	17" (432)	35 1/8" (911)	21 1/2" (546)	40 3/8" (1026)
	Venting or Stationary	36 3/8" (924)	74 1/8" (1886)	X	26 1/8" (664)	73 7/8" (1876)	17" (432)	35 1/8" (911)	21 1/2" (546)	40 3/8" (1026)
	Venting or Stationary	53 1/2" (1359)	110 3/8" (2804)	X	26 1/8" (664)	73 7/8" (1876)	17" (432)	35 1/8" (911)	21 1/2" (546)	40 3/8" (1026)

Custom Casement 10° Bow Window Size and Projection Range

Window Configuration	Center Window Venting Configuration	Window Dimension				Projection		
		Minimum Width Inches/(mm)	Maximum Width Inches/(mm)	Minimum Height Inches/(mm)	Maximum Height Inches/(mm)	Minimum Depth Inches/(mm)	Maximum Depth Inches/(mm)	
3-Wide	Venting or Stationary	52 1/2" (1334)	108 1/8" (2765)	X	26 1/8" (664)	73 1/8" (1876)	4 3/8" (111)	7 5/8" (194)
4-Wide	Venting or Stationary	69 1/2" (1765)	143 7/8" (3654)	X	26 1/8" (664)	73 1/8" (1876)	7 3/8" (187)	13 1/8" (352)
5-Wide	Venting or Stationary	85 7/8" (2181)	164 1/4" (4172)	X	26 1/8" (664)	73 1/8" (1876)	10 3/8" (264)	18 5/8" (473)
6-Wide	Venting or Stationary	101 5/8" (2581)	164 1/4" (4172)	X	26 1/8" (664)	73 1/8" (1876)	14 7/8" (378)	23 3/16" (589)
7-Wide	Venting or Stationary	116 5/8" (2962)	164 1/4" (4172)	X	26 1/8" (664)	73 1/8" (1876)	19 3/16" (487)	26 3/8" (670)

⚠ WARNING

Proper support of projecting bow and bay windows is required, see installation instructions. Failure to do so may result in injury, product or property damage.

- "Projection" refers to outside of the exterior sheathing to the outer edge of the window.
- "Window Dimension" always refers to outside frame to frame dimension.
- **"Minimum Rough Opening" dimensions may need to be increased to allow for use of building wraps, flashing, sill panning, brackets, fasteners or other items. See pages 288-289 for more details.**
- One Andersen cable kit is included with the unit for proper installation. Each cable supports a maximum load of 500 lbs. or 227 kg; additional support is necessary for loads exceeding 500 lbs. or 227 kg.
- Angle bay and bow windows include only the basic unit. Roof and other installation materials provided by other manufacturers.
- For walkout angle bay and bow window details and installation guidelines, contact your Andersen supplier or visit our website at andersenwindows.com/adf.
- Refer to andersenwindows.com/measure for detailed instructions on how to properly measure for custom-size windows.
- Dimensions in parentheses are in millimeters.

BAY & BOW WINDOWS

Table of Double-Hung 30° Angle Bay Window Sizes with Picture Window and 1-8 Flanking Windows

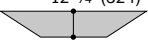
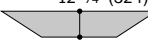
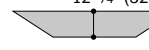
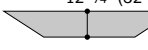
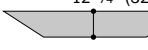


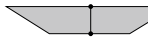




		Projection $12\frac{3}{4}"$ (324)					
		$12\frac{3}{4}"$ (324)		$12\frac{3}{4}"$ (324)		$12\frac{3}{4}"$ (324)	
							
WIDTHS							
HEIGHTS	Window Dimension	$6'-8\frac{15}{16}"$ (2056)	$7'-0\frac{15}{16}"$ (2157)	$7'-6\frac{5}{8}"$ (2302)	$7'-10\frac{5}{8}"$ (2403)	$8'-6\frac{5}{8}"$ (2607)	$9'-2\frac{5}{8}"$ (2810)
	Minimum Rough Opening	$6'-8\frac{1}{8}"$ (2035)	$7'-0\frac{1}{8}"$ (2137)	$7'-5\frac{3}{4}"$ (2280)	$7'-9\frac{3}{4}"$ (2381)	$8'-5\frac{3}{4}"$ (2584)	$9'-1\frac{3}{4}"$ (2788)
	4'-2 1/4" (1276)	30-30310-18		30-310310-18		30-410310-18	
	4'-2 3/4" (1289)	30-3042-18		30-3442-18		30-5642-18	
	4'-6 1/4" (1378)	30-3046-18		30-3446-18		30-5646-18	
	4'-6 3/4" (1391)	30-3052-18		30-31052-18		30-41052-18	
	4'-10 1/4" (1480)	30-31056-18		30-31056-18		30-4256-18	
	4'-10 3/4" (1492)	30-31062-18		30-31062-18		30-4262-18	
	5'-6 1/4" (1683)						
	5'-6 3/4" (1695)						
	5'-10 1/4" (1784)						
	5'-10 3/4" (1797)						
	6'-6 1/4" (1988)						
	6'-6 3/4" (2000)						

Table of Double-Hung 30° Angle Bay Window Sizes with Picture Window and 2-0 Flanking Windows

		Projection $14\frac{3}{4}"$ (375)					
		$14\frac{3}{4}"$ (375)		$14\frac{3}{4}"$ (375)		$14\frac{3}{4}"$ (375)	
							
WIDTHS							
HEIGHTS	Window Dimension	$7'-3\frac{7}{8}"$ (2232)	$7'-7\frac{7}{8}"$ (2334)	$8'-1\frac{9}{16}"$ (2478)	$8'-5\frac{9}{16}"$ (2580)	$9'-1\frac{9}{16}"$ (2783)	$9'-9\frac{9}{16}"$ (2986)
	Minimum Rough Opening	$7'-3"$ (2210)	$7'-7"$ (2311)	$8'-0\frac{3}{4}"$ (2457)	$8'-4\frac{3}{4}"$ (2559)	$9'-0\frac{3}{4}"$ (2762)	$9'-8\frac{3}{4}"$ (2965)
	4'-2 1/4" (1276)	30-30310-20		30-310310-20		30-410310-20	
	4'-2 3/4" (1289)	30-3042-20		30-3442-20		30-5642-20	
	4'-6 1/4" (1378)	30-3046-20		30-3446-20		30-5646-20	
	4'-6 3/4" (1391)	30-3052-20		30-31052-20		30-41052-20	
	4'-10 1/4" (1480)	30-31056-20		30-31056-20		30-4256-20	
	4'-10 3/4" (1492)	30-31062-20		30-31062-20		30-4262-20	
	5'-6 1/4" (1683)						
	5'-6 3/4" (1695)						
	5'-10 1/4" (1784)						
	5'-10 3/4" (1797)						
	6'-6 1/4" (1988)						
	6'-6 3/4" (2000)						

⚠ WARNING

Proper support of projecting bow and bay windows is required, see installation instructions. Failure to do so may result in injury, product or property damage.

Ordering Prefix:

- WDH** 400 Series Woodwright® Double-Hung Window
- WPW** 400 Series Woodwright Picture Window
- TW** 400 Series Tilt-Wash Double-Hung Window
- DHP** 400 Series Tilt-Wash Picture Window

- "Projection" refers to outside of the exterior sheathing to the outer edge of the window.
- "Window Dimension" always refers to outside frame to frame dimension.
- **"Minimum Rough Opening" dimensions may need to be increased to allow for use of building wraps, flashing, sill panning, brackets, fasteners or other items. See pages 288-289 for more details.**
- One Andersen cable kit is included with the unit for proper installation. Each cable supports a maximum load of 500 lbs. or 227 kg; additional support is necessary for loads exceeding 500 lbs. or 227 kg.
- Angle bay and bow windows include only the basic unit. Roof and other installation materials provided by other manufacturers.
- For walkout angle bay and bow window details and installation guidelines, contact your Andersen supplier or visit our website at andersenwindows.com/adf.
- Dimensions in parentheses are in millimeters.

Table of Double-Hung 30° Angle Bay Window Sizes with 1-8 Flanking Double-Hung Windows

Projection		12 3/4" (324)	12 3/4" (324)	12 3/4" (324)	12 3/4" (324)	12 3/4" (324)
WIDTHS						
Window Dimension		7'-0 15/16" (2157)	7'-10 5/8" (2403)	8'-6 5/8" (2599)	9'-2 5/8" (2810)	9'-10 5/8" (3013)
Minimum Rough Opening		7'-0 1/8" (2137)	7'-9 3/4" (2581)	8'-5 3/4" (2584)	9'-1 3/4" (2788)	9'-9 3/4" (2991)
HEIGHTS	4'-2 1/4" (1276)					
	4'-2 3/4" (1289)	30-34310-18	30-20310-2-18	30-24310-2-18	30-28310-2-18	30-30310-2-18
	4'-6 1/4" (1378)					
	4'-6 3/4" (1391)	30-3442-18	30-2042-2-18	30-2442-2-18	30-2842-2-18	30-3042-2-18
	4'-10 1/4" (1480)					
	4'-10 3/4" (1492)	30-3446-18	30-2046-2-18	30-2446-2-18	30-2846-2-18	30-3046-2-18
	5'-6 1/4" (1683)					
	5'-6 3/4" (1695)	30-3452-18	30-2052-2-18	30-2452-2-18	30-2852-2-18	30-3052-2-18
	5'-10 1/4" (1784)					
	5'-10 3/4" (1797)	30-3456-18	30-2056-2-18	30-2456-2-18	30-2856-2-18	30-3056-2-18
	6'-6 1/4" (1988)					
	6'-6 3/4" (2000)	30-3462-18	30-2062-2-18	30-2462-2-18	30-2862-2-18	30-3062-2-18

Table of Double-Hung 30° Angle Bay Window Sizes with 2-0 Flanking Double-Hung Windows

Projection		14 3/4" (375)	14 3/4" (375)	14 3/4" (375)	14 3/4" (375)	14 3/4" (375)
WIDTHS						
Window Dimension		7'-7 7/8" (2334)	8'-5 9/16" (2580)	9'-1 9/16" (2783)	9'-9 9/16" (2986)	10'-5 9/16" (3189)
Minimum Rough Opening		7'-7" (2311)	8'-4 3/4" (2559)	9'-0 3/4" (2762)	9'-8 3/4" (2965)	10'-4 3/4" (3169)
HEIGHTS	4'-2 1/4" (1276)					
	4'-2 3/4" (1289)	30-34310-20	30-20310-2-20	30-24310-2-20	30-28310-2-20	30-30310-2-20
	4'-6 1/4" (1378)					
	4'-6 3/4" (1391)	30-3442-20	30-2042-2-20	30-2442-2-20	30-2842-2-20	30-3042-2-20
	4'-10 1/4" (1480)					
	4'-10 3/4" (1492)	30-3446-20	30-2046-2-20	30-2446-2-20	30-2846-2-20	30-3046-2-20
	5'-6 1/4" (1683)					
	5'-6 3/4" (1695)	30-3452-20	30-2052-2-20	30-2452-2-20	30-2852-2-20	30-3052-2-20
	5'-10 1/4" (1784)					
	5'-10 3/4" (1797)	30-3456-20	30-2056-2-20	30-2456-2-20	30-2856-2-20	30-3056-2-20
	6'-6 1/4" (1988)					
	6'-6 3/4" (2000)	30-3462-20	30-2062-2-20	30-2462-2-20	30-2862-2-20	30-3062-2-20

⚠ WARNING

Proper support of projecting bow and bay windows is required, see installation instructions. Failure to do so may result in injury, product or property damage.

Ordering Prefix:

- WDH** 400 Series Woodwright® Double-Hung Window
- WPW** 400 Series Woodwright Picture Window
- TW** 400 Series Tilt-Wash Double-Hung Window
- DHP** 400 Series Tilt-Wash Picture Window

- "Projection" refers to outside of the exterior sheathing to the outer edge of the window.
- "Window Dimension" always refers to outside frame to frame dimension.
- **"Minimum Rough Opening" dimensions may need to be increased to allow for use of building wraps, flashing, sill panning, brackets, fasteners or other items. See pages 288-289 for more details.**
- One Andersen cable kit is included with the unit for proper installation. Each cable supports a maximum load of 500 lbs. or 227 kg; additional support is necessary for loads exceeding 500 lbs. or 227 kg.
- Angle bay and bow windows include only the basic unit. Roof and other installation materials provided by other manufacturers.
- For walkout angle bay and bow window details and installation guidelines, contact your Andersen supplier or visit our website at andersenwindows.com/adf.
- Dimensions in parentheses are in millimeters.

BAY & BOW WINDOWS

Table of Double-Hung 45° Angle Bay Window Sizes with Picture Window and 1-8 Flanking Windows

Projection		17 15/16" (456)		17 15/16" (456)		17 15/16" (456)		17 15/16" (456)		17 15/16" (456)		17 15/16" (456)	
WIDTHS													
Window Dimension		6'-4 7/16"	6'-8 7/16"	7'-2 1/8"	7'-6 1/8"	8'-2 1/8"	8'-10 1/8"	(1942)	(2043)	(2188)	(2289)	(2492)	(2696)
Minimum Rough Opening		6'-3 1/8"	6'-7 1/8"	7'-0 3/4"	7'-4 3/4"	8'-0 3/4"	8'-8 3/4"	(1908)	(2010)	(2153)	(2254)	(2457)	(2661)
4'-2 1/4" (1276)		45-30310-18		45-310310-18		45-42310-18		45-410310-18					
4'-2 3/4" (1289)		45-3042-18		45-3442-18		45-31042-18		45-4242-18		45-41042-18		45-5642-18	
4'-6 1/4" (1378)		45-3046-18		45-3446-18		45-31046-18		45-4246-18		45-41046-18		45-5646-18	
4'-6 3/4" (1391)													
4'-10 1/4" (1480)													
4'-10 3/4" (1492)													
5'-6 1/4" (1683)		45-3052-18		45-31052-18		45-4252-18		45-41052-18					
5'-6 3/4" (1695)													
5'-10 1/4" (1784)				45-31056-18		45-4256-18							
5'-10 3/4" (1797)													
6'-6 1/4" (1988)				45-31062-18		45-4262-18							
6'-6 3/4" (2000)													

Table of Double-Hung 45° Angle Bay Window Sizes with Picture Window and 2-0 Flanking Windows

Projection		20 3/4" (527)		20 3/4" (527)		20 3/4" (527)		20 3/4" (527)		20 3/4" (527)		20 3/4" (527)	
WIDTHS													
Window Dimension		6'-10 1/8"	7'-2 1/8"	7'-7 13/16"	7'-11 13/16"	8'-7 13/16"	9'-3 13/16"	(2086)	(2188)	(2332)	(2434)	(2637)	(2840)
Minimum Rough Opening		6'-8 3/4"	7'-0 3/4"	7'-6 1/2"	7'-10 1/2"	8'-6 1/2"	9'-2 1/2"	(2051)	(2153)	(2299)	(2400)	(2604)	(2807)
4'-2 1/4" (1276)		45-30310-20		45-310310-20		45-42310-20		45-410310-20					
4'-2 3/4" (1289)		45-3042-20		45-3442-20		45-31042-20		45-4242-20		45-41042-20		45-5642-20	
4'-6 1/4" (1378)		45-3046-20		45-3446-20		45-31046-20		45-4246-20		45-41046-20		45-5646-20	
4'-6 3/4" (1391)													
4'-10 1/4" (1480)													
4'-10 3/4" (1492)													
5'-6 1/4" (1683)		45-3052-20		45-31052-20		45-4252-20		45-41052-20					
5'-6 3/4" (1695)													
5'-10 1/4" (1784)				45-31056-20		45-4256-20							
5'-10 3/4" (1797)													
6'-6 1/4" (1988)				45-31062-20		45-4262-20							
6'-6 3/4" (2000)													

⚠ WARNING

Proper support of projecting bow and bay windows is required, see installation instructions. Failure to do so may result in injury, product or property damage.

- WDH** 400 Series Woodwright® Double-Hung Window
- WPW** 400 Series Woodwright Picture Window
- TW** 400 Series Tilt-Wash Double-Hung Window
- DHP** 400 Series Tilt-Wash Picture Window

- "Projection" refers to outside of the exterior sheathing to the outer edge of the window.
- "Window Dimension" always refers to outside frame to frame dimension.
- **"Minimum Rough Opening" dimensions may need to be increased to allow for use of building wraps, flashing, sill panning, brackets, fasteners or other items. See pages 288-289 for more details.**
- One Andersen cable kit is included with the unit for proper installation. Each cable supports a maximum load of 500 lbs. or 227 kg; additional support is necessary for loads exceeding 500 lbs. or 227 kg.
- Angle bay and bow windows include only the basic unit. Roof and other installation materials provided by other manufacturers.
- For walkout angle bay and bow window details and installation guidelines, contact your Andersen supplier or visit our website at andersenwindows.com/adf.
- Dimensions in parentheses are in millimeters.

Table of Double-Hung 45° Angle Bay Window Sizes with 1-8 Flanking Windows

		Projection		17 15/16" (456)		17 15/16" (456)		17 15/16" (465)		17 15/16" (456)		17 15/16" (456)	
WIDTHS													
Window Dimension		6'-8 7/16"		7'-6 1/8"		8'-2 1/8"		8'-10 1/8"		9'-6 1/8"			
		(2043)		(2289)		(2492)		(2696)		(2899)			
Minimum Rough Opening		6'-7 1/8"		7'-4 7/8"		8'-0 3/4"		8'-8 3/4"		9'-4 3/4"			
		(2010)		(2257)		(2445)		(2661)		(2864)			
HEIGHTS	4'-2 1/4" (1276)	45-34310-18		45-20310-2-18		45-24310-2-18		45-28310-2-18		45-30310-2-18			
	4'-2 3/4" (1289)	45-3442-18		45-2042-2-18		45-2442-2-18		45-2842-2-18		45-3042-2-18			
	4'-6 1/4" (1378)	45-3446-18		45-2046-2-18		45-2446-2-18		45-2846-2-18		45-3046-2-18			
	4'-6 3/4" (1391)	45-3452-18		45-2052-2-18		45-2452-2-18		45-2852-2-18		45-3052-2-18			
	4'-10 1/4" (1480)	45-3456-18		45-2056-2-18		45-2456-2-18		45-2856-2-18		45-3056-2-18			
	4'-10 3/4" (1492)	45-3462-18		45-2062-2-18		45-2462-2-18		45-2862-2-18		45-3062-2-18			
	5'-6 1/4" (1683)	45-3452-18		45-2052-2-18		45-2452-2-18		45-2852-2-18		45-3052-2-18			
	5'-6 3/4" (1695)	45-3456-18		45-2056-2-18		45-2456-2-18		45-2856-2-18		45-3056-2-18			
	5'-10 1/4" (1784)	45-3456-18		45-2056-2-18		45-2456-2-18		45-2856-2-18		45-3056-2-18			
	5'-10 3/4" (1797)	45-3456-18		45-2056-2-18		45-2456-2-18		45-2856-2-18		45-3056-2-18			
	6'-6 1/4" (1988)	45-3462-18		45-2062-2-18		45-2462-2-18		45-2862-2-18		45-3062-2-18			
6'-6 3/4" (2000)	45-3462-18		45-2062-2-18		45-2462-2-18		45-2862-2-18		45-3062-2-18				

Table of Double-Hung 45° Angle Bay Window Sizes with 2-0 Flanking Windows

		Projection		20 3/4" (257)		20 3/4" (257)		20 3/4" (257)		20 3/4" (257)		20 3/4" (257)	
WIDTHS													
Window Dimension		7'-2 1/8"		7'-11 13/16"		8'-7 13/16"		9'-3 13/16"		9'-11 13/16"			
		(2188)		(2434)		(2637)		(2840)		(3043)			
Minimum Rough Opening		7'-0 3/4"		7'-10 1/2"		8'-6 1/2"		9'-2 1/2"		9'-10 1/2"			
		(2153)		(2400)		(2604)		(2807)		(3010)			
HEIGHTS	4'-2 1/4" (1276)	45-34310-20		45-20310-2-20		45-24310-2-20		45-28310-2-20		45-30310-2-20			
	4'-2 3/4" (1289)	45-3442-20		45-2042-2-20		45-2442-2-20		45-2842-2-20		45-3042-2-20			
	4'-6 1/4" (1378)	45-3446-20		45-2046-2-20		45-2446-2-20		45-2846-2-20		45-3046-2-20			
	4'-6 3/4" (1391)	45-3452-20		45-2052-2-20		45-2452-2-20		45-2852-2-20		45-3052-2-20			
	4'-10 1/4" (1480)	45-3456-20		45-2056-2-20		45-2456-2-20		45-2856-2-20		45-3056-2-20			
	4'-10 3/4" (1492)	45-3462-20		45-2062-2-20		45-2462-2-20		45-2862-2-20		45-3062-2-20			
	5'-6 1/4" (1683)	45-3452-20		45-2052-2-20		45-2452-2-20		45-2852-2-20		45-3052-2-20			
	5'-6 3/4" (1695)	45-3456-20		45-2056-2-20		45-2456-2-20		45-2856-2-20		45-3056-2-20			
	5'-10 1/4" (1784)	45-3456-20		45-2056-2-20		45-2456-2-20		45-2856-2-20		45-3056-2-20			
	5'-10 3/4" (1797)	45-3456-20		45-2056-2-20		45-2456-2-20		45-2856-2-20		45-3056-2-20			
	6'-6 1/4" (1988)	45-3462-20		45-2062-2-20		45-2462-2-20		45-2862-2-20		45-3062-2-20			
6'-6 3/4" (2000)	45-3462-20		45-2062-2-20		45-2462-2-20		45-2862-2-20		45-3062-2-20				

⚠ WARNING

Proper support of projecting bow and bay windows is required, see installation instructions. Failure to do so may result in injury, product or property damage.

Ordering Prefix:

- WDH** 400 Series Woodwright® Double-Hung Window
- WPW** 400 Series Woodwright Picture Window
- TW** 400 Series Tilt-Wash Double-Hung Window
- DHP** 400 Series Tilt-Wash Picture Window

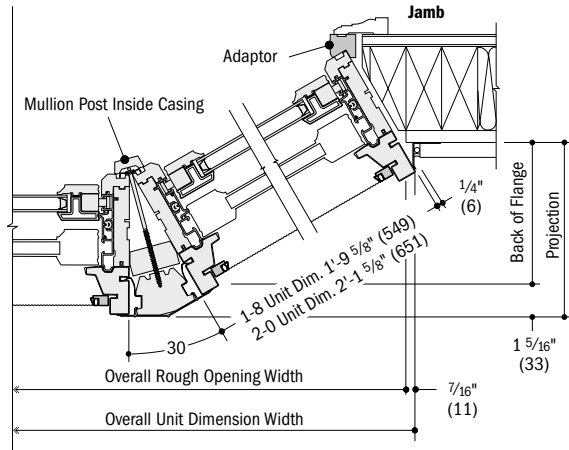
- "Projection" refers to outside of the exterior sheathing to the outer edge of the window.
- "Window Dimension" always refers to outside frame to frame dimension.
- **"Minimum Rough Opening" dimensions may need to be increased to allow for use of building wraps, flashing, sill panning, brackets, fasteners or other items. See pages 288-289 for more details.**
- One Andersen cable kit is included with the unit for proper installation. Each cable supports a maximum load of 500 lbs. or 227 kg; additional support is necessary for loads exceeding 500 lbs. or 227 kg.
- Angle bay and bow windows include only the basic unit. Roof and other installation materials provided by other manufacturers.
- For walkout angle bay and bow window details and installation guidelines, contact your Andersen supplier or visit our website at andersenwindows.com/adf.
- Dimensions in parentheses are in millimeters.

BAY & BOW WINDOWS

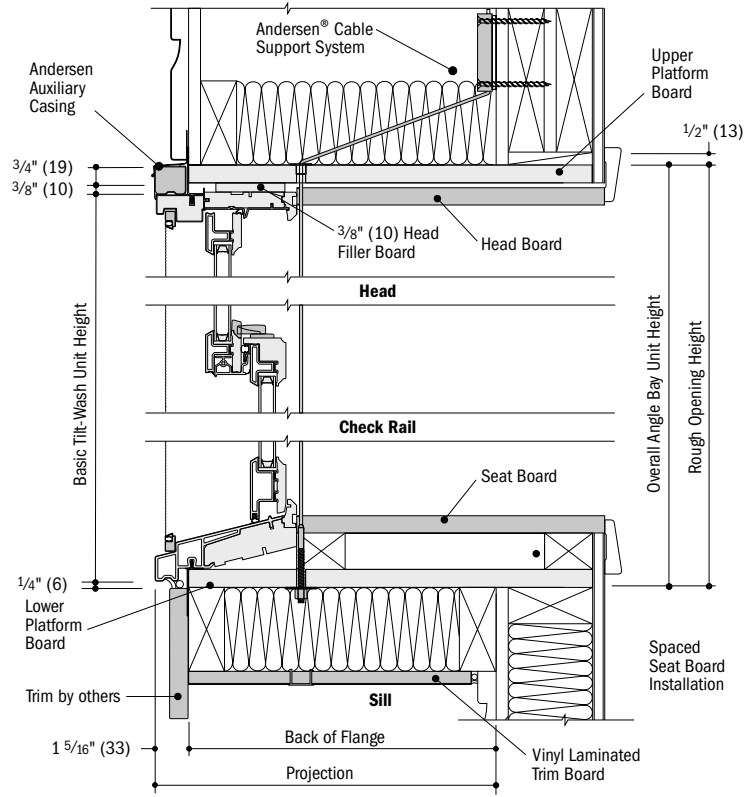
Double-Hung 30° Angle Bay Window Details

Scale 1 1/2" (38) = 1'-0" (305) – 1:8

Woodwright® window shown. Tilt-wash window installation similar.



Horizontal Section

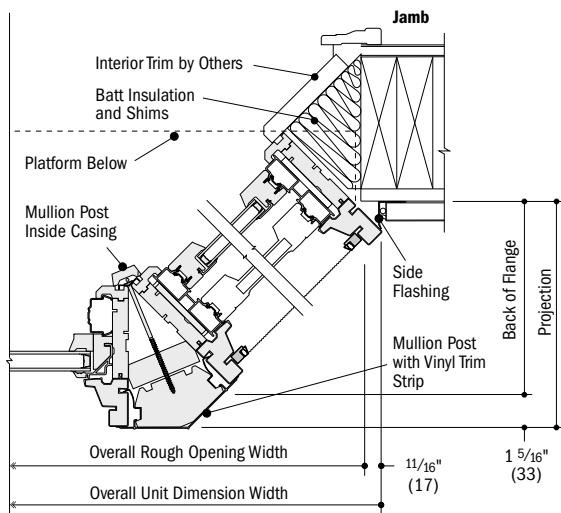


Vertical Section

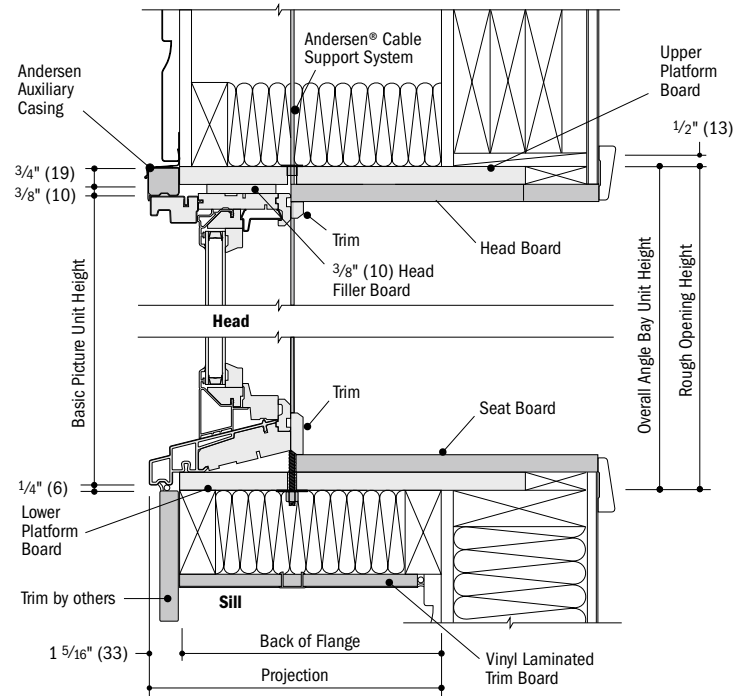
Double-Hung 45° Angle Bay Window Details

Scale 1 1/2" (38) = 1'-0" (305) – 1:8

Tilt-wash window shown. Woodwright® window installation similar.



Horizontal Section



Vertical Section

- Light-colored areas are parts included with window. Dark-colored areas are additional Andersen® parts required to complete window assembly as shown.
- **Rough openings may need to be increased to allow for use of building wraps, flashing, sill panning, brackets, fasteners or other items. See installation information on pages 288-289.**
- Details are for illustration only and are not intended to represent product installation methods or materials. Refer to unit installation guides at andersenwindows.com.
- Dimensions in parentheses are in millimeters.

GLIDING WINDOWS

400 Series
Gliding Windows

SECTION REFERENCE

Table of Sizes	126
Specifications	127
Grille Patterns	127
Window Details	128
Product Performance.....	269
Warranty	290-291

GLIDING WINDOWS

FEATURES

Frame

- A** The exterior of the frame is covered with fiberglass to maintain an attractive appearance while minimizing maintenance.
- B** Wood frame members are treated with a water-repellent wood preservative for long-lasting* protection and performance.
- C** Flexible bulb weatherstripping and spring tension vinyl are installed at the factory and help provide a tight seal between the sash and frame.
- D** Fold-out-and-lock installation flanges accommodate 4 1/2" (114) and 4 1/8" (105) wall construction.

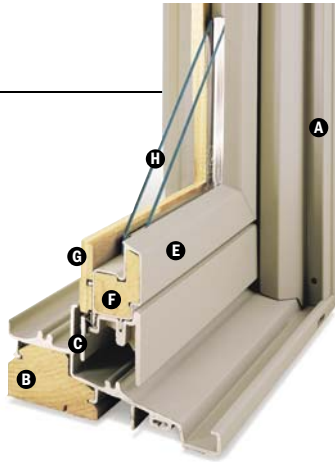
Sash

- E** For improved ventilation both sash are operable. Rigid vinyl encases the entire sash. A vinyl weld protects each sash corner for superior weathertightness to maintain an attractive appearance and minimize maintenance.
- F** Natural wood sash members help provide excellent structural stability and energy efficiency.
- G** Interior stops are unfinished pine. Low-maintenance prefinished White, Dark Bronze and Black** interiors are also available.

Delrin® Glides



Teflon® infused Delrin® glides are self-lubricating and require only 8 lbs. or 3.6 kg. of force to operate. A stainless steel spring within the glide provides years* of reliable operation — even in harsh environments.



Glass

H High-Performance glass options include:

- Low-E4® glass
- Low-E4 HeatLock® glass
- Low-E4 Sun glass
- Low-E4 SmartSun™ glass
- Low-E4 SmartSun HeatLock glass

Tempered glass and other glass options are available. Contact your Andersen supplier.

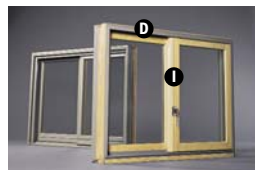
A removable translucent film helps shield the glass from damage during delivery and construction and simplifies finishing at the jobsite.

Patterned Glass

Patterned glass options are available. See page 10 for more details.

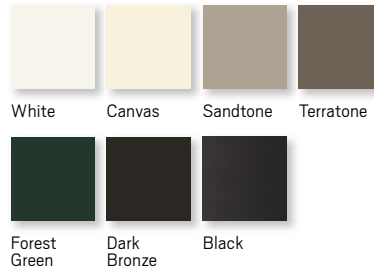
Hardware

Locking System

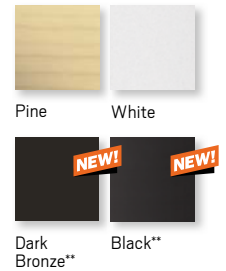


- I** For an added measure of security and increased weathertightness, the locking system pulls the sash firmly closed while pushing the sash tight to the side jambs. This lock is single-point on 2' (610) tall windows, two-point on 3' (914) tall windows, and three-point on 3'-6" (1067), 4' (1219) and 5' (1524) tall windows.

EXTERIOR

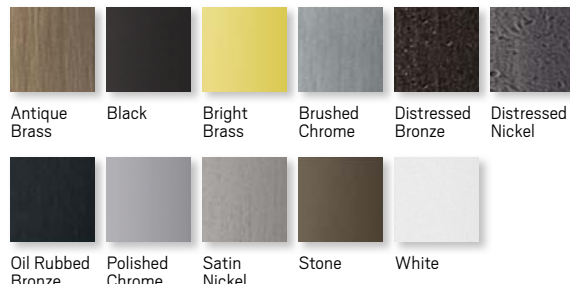


INTERIOR



Naturally occurring variations in grain, color and texture of wood make each window one-of-a-kind. All wood interiors are unfinished unless a prefinished option is specified.

HARDWARE FINISHES



Distressed bronze and oil rubbed bronze are "living" finishes that will change with time and use.

GLIDING WINDOW HARDWARE†

ROTATING SASH HANDLE

Antique Brass | Black | Bright Brass
Brushed Chrome | Distressed Bronze
Distressed Nickel | Oil Rubbed Bronze
Polished Chrome | **Satin Nickel**
Stone | White

Bold name denotes finish shown.



* Visit andersenwindows.com/warranty for details.

** Dark Bronze and Black interiors are only available with Dark Bronze and Black exteriors respectively.

† Hardware sold separately.

Dimensions in parentheses are in millimeters.

"Delrin" and "Teflon" are registered trademarks of E.I. du Pont de Nemours and Company.

Printing limitations prevent exact duplication of colors and finishes.

See your Andersen supplier for actual color and finish samples.

ACCESSORIES Sold Separately

Frame

Extension Jamb



Standard jamb depth is 4 9/16" (116). Extension jambs are available in unfinished pine or prefinished White, Dark Bronze or Black. Some sizes may be veneered.

Factory-applied and non-applied interior extension jambs are available in 1/16" (1.5) increments between 5 1/16" (129) and 7 1/8" (181).

Hardware

Passive Sash Handle



Attaches to the passive sash to aid in operation. Available in Sandtone color only.

Window Opening Control Device Kit



A Window Opening Control Device Kit is available, which limits sash travel to less than 4" (102) when the window is first opened. Available in Stone, White and Black. Device shown on a 200 Series gliding window.

Insect Screens

Choose full insect screen (fixed), or Pass-Thru (gliding) insect screen. Frames are available in colors to match product exteriors.

TruScene® Insect Screen

Exclusive Andersen® TruScene® insect screens provide over 50% more clarity than our conventional insect screens for a beautiful unobstructed view. They allow more fresh air and sunlight in, while doing a better job of keeping out small insects.

Conventional Insect Screen

Conventional insect screens have charcoal powder-coated aluminum screen mesh.

Grilles

Grilles are available in a variety of configurations and widths. For gliding window grille patterns, see page 127.

Exterior Trim

This product is available with Andersen® Exterior Trim. See pages 215-220 for details.

CAUTION:

- Painting and staining may cause damage to rigid vinyl.
- Do not paint 400 Series windows with White, Canvas, Sandtone, Forest Green, Dark Bronze or Black exterior colors.
- Andersen does not warrant the adhesion or performance of homeowner-applied paint over vinyl or other factory-coated surfaces.
- 400 Series windows in Terratone color may be painted any color lighter than Terratone color using quality oil-base or latex paint.
- For vinyl painting instructions and preparation, contact your Andersen supplier.
- Do not paint weatherstripping.
- Creosote-based stains should not come in contact with Andersen products.
- Abrasive cleaners or solutions containing corrosive solvents should not be used on Andersen products.

For more information about **glass, patterned glass, grilles and TruScene® insect screen** see pages 10-16.

For more information about **product performance, installation accessories and warranty** see pages 269-291 or visit

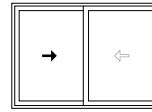
GLIDING WINDOWS

Table of Gliding Window Sizes

Scale $\frac{1}{8}$ " (3) = 1'-0" (305) – 1:96

Window Dimension	2'-11 1/4" (895)	3'-11 1/4" (1200)	4'-11 1/4" (1505)	5'-11 1/4" (1810)
Minimum Rough Opening	3'-0" (914)	4'-0" (1219)	5'-0" (1524)	6'-0" (1829)
Unobstructed Glass (single sash only)	12 9/16" (319)	18 9/16" (472)	24 9/16" (624)	30 9/16" (776)

1'-10 1/4" (565)	1'-11" (584)	14-1/8" (359)					
2'-11 1/4" (895)	3'-0" (914)	27 1/8" (689)					
3'-5 1/4" (1048)	3'-6" (1067)	33 1/8" (841)					
3'-11 1/4" (1200)	4'-0" (1219)	39 1/8" (994)					
4'-11 1/4" (1505)	5'-0" (1524)	51 1/8" (1299)					



Active Passive

Viewed from the exterior. Passive sash will open after active sash has been opened.

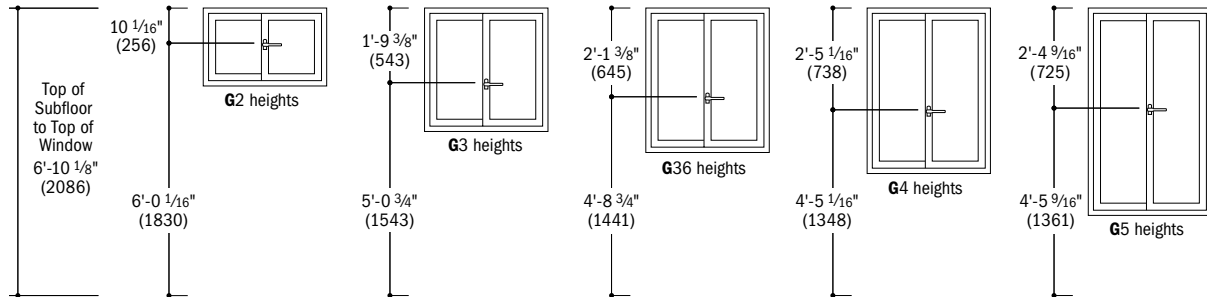
Grille patterns shown on page 127.

- "Window Dimension" always refers to outside frame to frame dimension.
- "Minimum Rough Opening" dimensions may need to be increased to allow for use of building wraps, flashing, sill panning, brackets, fasteners or other items. See pages 288-289 for more details.
- Dimensions in parentheses are in millimeters.
- ◊ Meet or exceed clear opening area of 5.7 sq. ft. or 0.53 m², clear opening width of 20" (508) and clear opening height of 24" (610). See table on page 127.

Handle Location

Operational force of handle is equal to 8 lbs. or 3.6 kg.

Dimensions shown are from top of handle in open position.



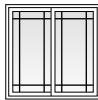
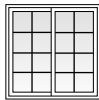

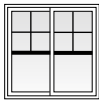
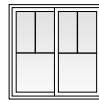
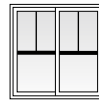
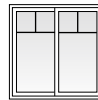
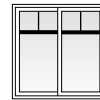
- Dimensions in parentheses are in millimeters.

Gliding Window Opening and Area Specifications

Window Number	Clear Opening Area Sq. Ft./ (m ²)	Clear Opening in Full Open Position		Glass Area Sq. Ft./ (m ²)	Vent Area Sq. Ft./ (m ²)	Top of Subfloor to Top of Sill Parting Stop Inches/ (mm)	Overall Window Area Sq. Ft./ (m ²)
		Width Inches/ (mm)	Height Inches/ (mm)				
G32	1.70 (0.16)	14 9/32" (363)	17 1/8" (435)	2.5 (0.23)	1.70 (0.16)	62 9/16" (1589)	5.45 (0.51)
G33	3.00 (0.28)	14 9/32" (363)	30 1/8" (765)	4.7 (0.44)	3.00 (0.28)	49 9/16" (1259)	8.63 (0.80)
G336	3.58 (0.33)	14 9/32" (363)	36 1/8" (918)	5.7 (0.53)	3.58 (0.33)	43 9/16" (1107)	10.10 (0.94)
G34	4.18 (0.39)	14 9/32" (363)	42 1/8" (1070)	6.8 (0.63)	4.18 (0.39)	37 9/16" (954)	11.57 (1.08)
G35	5.40 (0.50)	14 9/32" (363)	54 1/8" (1375)	8.9 (0.83)	5.40 (0.50)	25 9/16" (649)	14.50 (1.35)
G42	2.40 (0.22)	20 9/32" (515)	17 1/8" (435)	3.6 (0.33)	2.40 (0.22)	62 9/16" (1589)	7.30 (0.68)
G43	4.40 (0.41)	20 9/32" (515)	30 1/8" (765)	7.0 (0.65)	4.40 (0.41)	49 9/16" (1259)	11.57 (1.08)
G436	5.10 (0.47)	20 9/32" (515)	36 1/8" (918)	8.5 (0.79)	5.10 (0.47)	43 9/16" (1107)	13.54 (1.26)
G44 ◊	6.00 (0.56)	20 9/32" (515)	42 1/8" (1070)	10.0 (0.93)	6.00 (0.56)	37 9/16" (954)	15.50 (1.44)
G45 ◊	7.62 (0.71)	20 9/32" (515)	54 1/8" (1375)	13.1 (1.22)	7.62 (0.71)	25 9/16" (649)	19.44 (1.81)
G53	5.50 (0.51)	26 9/32" (668)	30 1/8" (765)	9.2 (0.86)	5.50 (0.51)	49 9/16" (1259)	14.50 (1.35)
G536 ◊	6.60 (0.61)	26 9/32" (668)	36 1/8" (918)	11.3 (1.05)	6.60 (0.61)	43 9/16" (1107)	16.97 (1.58)
G54 ◊	7.70 (0.72)	26 9/32" (668)	42 1/8" (1070)	13.3 (1.24)	7.70 (0.72)	37 9/16" (954)	19.44 (1.81)
G55 ◊	9.90 (0.92)	26 9/32" (668)	54 1/8" (1375)	17.4 (1.62)	9.90 (0.92)	25 9/16" (649)	24.38 (2.27)
G63 ◊	6.75 (0.63)	32 9/32" (820)	30 1/8" (765)	11.5 (1.07)	6.75 (0.63)	49 9/16" (1259)	17.44 (1.62)
G636 ◊	8.10 (0.75)	32 9/32" (820)	36 1/8" (918)	14.0 (1.30)	8.10 (0.75)	43 9/16" (1107)	20.41 (1.90)
G64 ◊	9.44 (0.88)	32 9/32" (820)	42 1/8" (1070)	16.6 (1.54)	9.44 (0.88)	37 9/16" (954)	23.38 (2.17)
G65 ◊	12.13 (1.13)	32 9/32" (820)	54 1/8" (1375)	21.7 (2.02)	12.13 (1.13)	25 9/16" (649)	29.32 (2.72)

- * "Top of Subfloor to Top of Inside Sill Stop" is calculated based upon a structural header height of 6'-10 1/2" (2096).
- Dimensions in parentheses are in millimeters or square meters.
- ◊ Meet or exceed clear opening area of 5.7 sq. ft. or 0.53 m², clear opening width of 20" (508) and clear opening height of 24" (610).

Grille Patterns

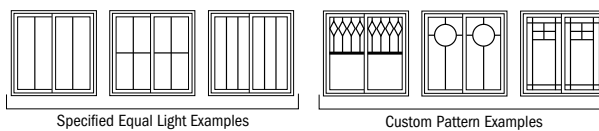
	Prairie A	Colonial	Modified Colonial	Modified Colonial SCR (Simulated Check Rail)	Tall Fractional	Tall Fractional SCR (Simulated Check Rail)	Short Fractional	Short Fractional SCR (Simulated Check Rail)
Gliding								

Number of lights and overall pattern varies with window size. Patterns are not available in all configurations.

Specified equal light and custom patterns are also available.

For more information on divided light, see page 11 or visit

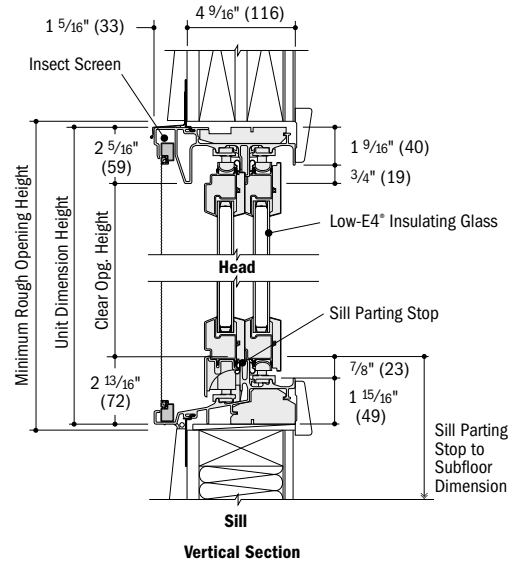
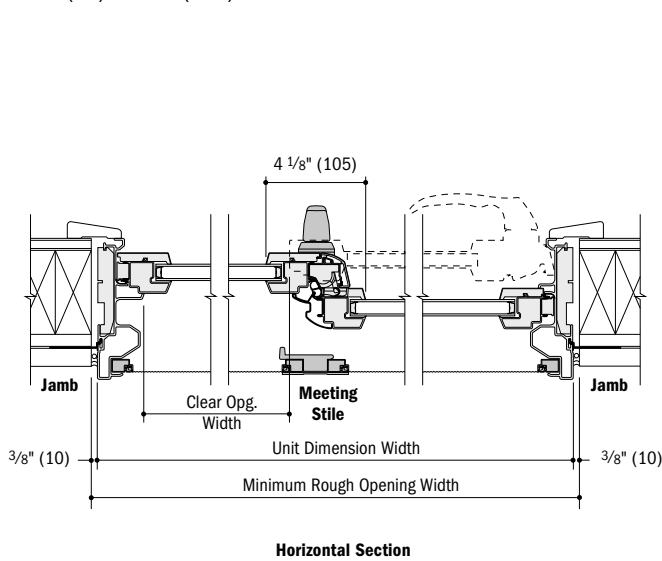
andersenwindows.com/grilles.



GLIDING WINDOWS

Gliding Window Details

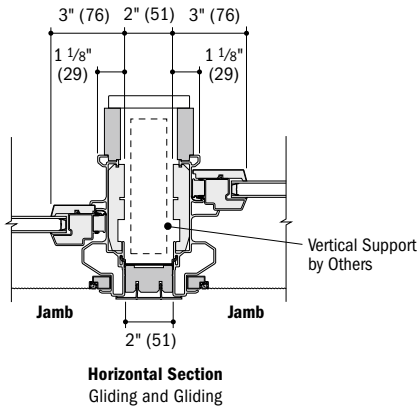
Scale 1 1/2" (38) = 1'-0" (305) – 1:8



Separate Rough Openings Detail

Scale 1 1/2" (38) = 1'-0" (305) – 1:8

To meet structural requirements or to achieve a wider joined appearance, windows may be installed into separate rough openings having vertical support (by others) in combination with Andersen® exterior filler and exterior vinyl trim.



- Light-colored areas are parts included with window. Dark-colored areas are additional Andersen® parts required to complete window assembly as shown.
- **Rough openings may need to be increased to allow for use of building wraps, flashing, sill panning, brackets, fasteners or other items. See installation information on pages 288-289.**
- Details are for illustration only and are not intended to represent product installation methods or materials. Refer to product installation guides at andersenwindows.com.
- Consult with an architect or structural engineer regarding minimum requirements for structural support members between adjacent rough openings.
- Dimensions in parentheses are in millimeters.

SPECIALTY WINDOWS

400 Series
Specialty Windows

CUSTOM SIZING
in 1/8" (3) increments



SECTION REFERENCE

Half Circle, Quarter Circle, Elliptical, Eyebrow, Circle, Oval, Gothic, Octagon and Monumental Circle & Quarter Circle Windows

Tables of Sizes	132-135
Specifications	133-134
Grille Patterns	134
Window Details	136-137
Joining Details.....	138

Custom Arch Windows..... 139

Arch, Springline™ & Springline™ Flanker Windows

Tables of Sizes	140-145
Specifications	141-143
Grille Patterns	144
Window Details	145

Flexiframe® Windows

Shapes & Sizes	146
Window Detail	147
Joining Details.....	147-148

Dimensions in parentheses are in millimeters.

SPECIALTY WINDOWS

FEATURES

Frame

A Wood frame members are treated with a water-repellent preservative for long-lasting* protection and performance. Radii are made of laminated pine, offering improved strength and appearance.

B The lineal sections of the jamb and sill on eyebrow, gothic, octagon, monumental, Flexiframe®, custom arch and arch windows are covered with a low-maintenance, fiberglass-reinforced composite. The arched head members and Springline™ units are covered with stretch-formed aluminum.

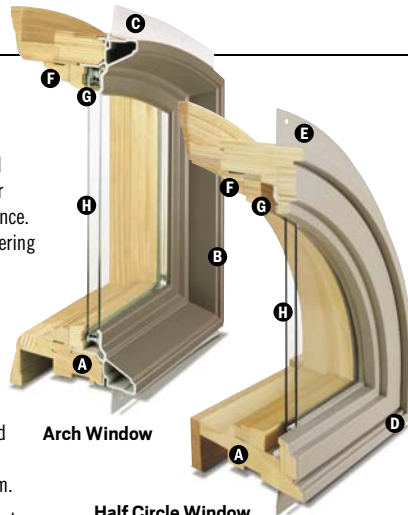
C The vinyl installation flange on eyebrow, gothic, octagon, monumental, Flexiframe®, custom arch, arch and Springline™ units extends 1 1/4" (32) around the entire perimeter of the unit. It helps seal the unit to the structure.

D Circle, half circle, quarter circle, elliptical and oval windows are covered with a rigid vinyl cladding. Low-maintenance exterior cladding provides long-lasting* beauty.

E Rigid vinyl cladding on circle, half circle, quarter circle, elliptical and oval window frames forms a full-perimeter installation flange for securing the unit to the structure. It also helps maintain an attractive appearance while minimizing maintenance.

F Inside trim stop is made of unfinished pine. Arched trim stops are made with quality, full-length laminated pine. Units are shipped with the trim stops tacked on, so removal is easy — expediting finishing and joining procedures.

G Unfinished interior wood glazing stops help secure the glass in place. Arched glazing stops are made with full-length laminated pine.



Arch Window

Half Circle Window

Glass

H High-Performance glass options include:

- Low-E4® glass
- Low-E4 HeatLock® glass
- Low-E4 Sun glass
- Low-E4 SmartSun™ glass
- Low-E4 SmartSun HeatLock glass

Tempered glass and other glass options are available. Contact your Andersen supplier.

A removable translucent film helps shield the glass from damage during delivery and construction and simplifies finishing at the jobsite.

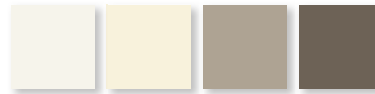
Patterned Glass

Patterned glass options are available. See page 10 for more details.



Specialty windows are available with Stormwatch® protection. Visit andersenwindows.com/coastal for more details.

EXTERIOR

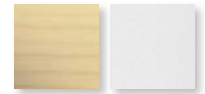


White Canvas Sandtone Terratone



Forest Green Dark Bronze Black

INTERIOR



Pine White



Dark Bronze** Black**

Naturally occurring variations in grain, color and texture of wood make each window one-of-a-kind. All wood interiors are unfinished unless a prefinished option is specified.



Flexiframe® Window



Springline™ Window



Circle/Oval Window

* Visit andersenwindows.com/warranty for details.

** Dark Bronze and Black interiors are only available with Dark Bronze and Black exteriors respectively.

Dimensions in parentheses are in millimeters.

Printing limitations prevent exact duplication of colors and finishes. See your Andersen supplier for actual color and finish samples.

ACCESSORIES Sold Separately

Frame

Extension Jamb

Specify extension jambs when ordering.

Standard unit jamb depth is 2 7/8" (73), except for elliptical and double-hung half circle units, which are 4 1/2" (114).

Pine extension jambs are available for most products in 1/16" (1.5) increments between 4 9/16" (116) and 7 1/8" (181). Elliptical and double-hung half circle extension jambs are available between 5 1/16" (129) and 7 1/8" (181). Some sizes may be pine veneer.

Springline™ window extension jambs and transition blocks are applied when ordered with the unit (key component block is also applied to units with a 48" (1219) radius).

Extension Jamb Alignment for Joined Combinations

When joining 400 Series arch, Springline™ or Flexiframe® over casement or when joining arch, Springline or Flexiframe alongside awning, use Method A or Method B for extension jamb alignment. See page 147 for details.

Method A: Individually Framed

Specify Andersen® auxiliary extension jambs. Available for the following wall thicknesses:

- 4 9/16" (116)
- 5 1/4" (133)
- 6 1/16" (167)
- 7 1/8" (181)

Method B: Perimeter Framed

Specify 1/4" (6) filler in pine or White. Requires modification of extension jambs.

Casing

Interior Arch Casing

Available in Colonial or Ranch styles. Arch casings come with transition blocks or plinth blocks, depending on the product. For easy integration and consistency, casing dimensions are consistent with Wood Moulding and Millwork Producers Association specifications. Available in pine, oak and maple.



2 1/4" (57) Colonial style. **WM366**



2 1/2" (64) Colonial style. **WM351**



3 1/2" (89) Colonial style. **WM444**



2 1/4" (57) Ranch style. **WM324**
2 1/2" (64) Ranch style. **WM315**

Plinth Blocks

For enhancing casing transitions. Decorated with a radial sunburst, or use the reverse side flush face.



For arch windows, use 2 7/8" (73) x 4" (102) size plinth block with 2 1/4" (57) and 2 1/2" (64) casing. Use 3 7/8" (98) x 5 1/4" (133) size with 3 1/2" (89) casing.



For half circle, circle, elliptical and oval windows, use 2 7/8" (73) size plinth block with 2 1/4" (57) and 2 1/2" (64) casing. Use 3 7/8" (98) size with 3 1/2" (89) casing.

Key Block



Excellent for creating unique trim designs or accents at arch casing transitions. A key block is an option for circle and oval windows.

Transition Blocks



Two transition blocks come with the interior arch casing extension jambs, providing a beautiful accent for circle and oval windows.

Glass

Andersen® Art Glass

Andersen art glass panels come in a variety of original patterns. See pages 213-214 for details on Andersen art glass. Visit andersenwindows.com/artglass for details and pattern information.

Grilles

Grilles are available in a variety of configurations and widths. For specialty window grille patterns, see pages 134 and 144.

Exterior Trim

Select specialty windows are available with Andersen® Exterior Trim. Contact your Andersen supplier for details.

CAUTION:

- Painting and staining may cause damage to rigid vinyl.
- Do not paint 400 Series windows with White, Canvas, Sandtone, Forest Green, Dark Bronze or Black exterior colors.
- Andersen does not warrant the adhesion or performance of homeowner-applied paint over vinyl or other factory-coated surfaces.
- 400 Series windows in Terratone color may be painted any color lighter than Terratone color using quality oil-base or latex paint.
- For vinyl painting instructions and preparation, contact your Andersen supplier.
- Do not paint weatherstripping.
- Creosote-based stains should not come in contact with Andersen products.
- Abrasive cleaners or solutions containing corrosive solvents should not be used on Andersen products.

For more information about **glass, patterned glass, art glass and grilles** see pages 10-17.

For more information about **combination designs, product performance, installation accessories and warranty** see pages 255-291 or visit

SPECIALTY WINDOWS

Table of Half Circle and Eyebrow Window Sizes – Double-Hung

Scale 1/8" (3) = 1'-0" (305) – 1:96

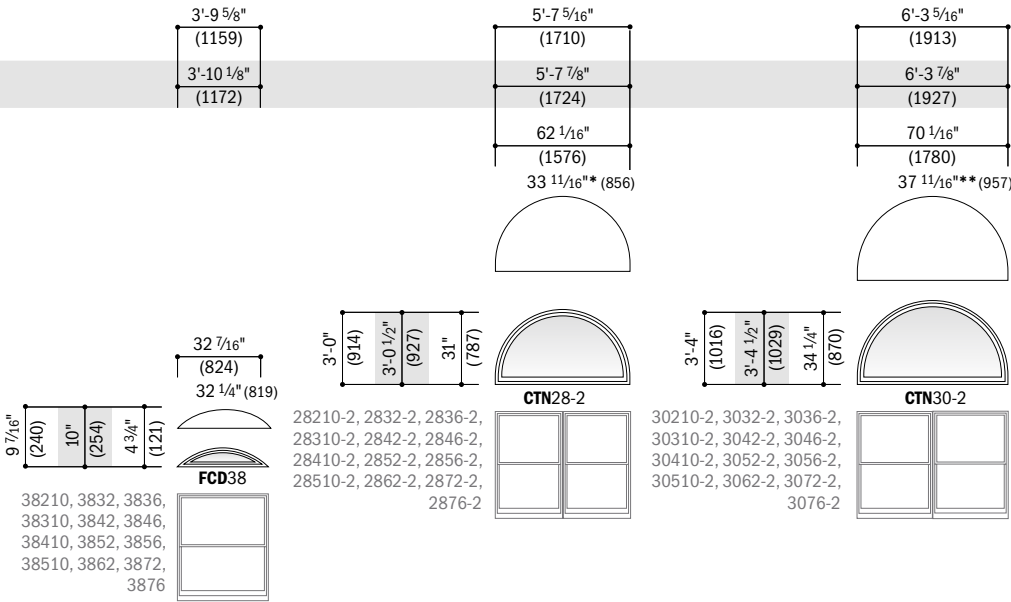
Window Dimension	2'-1 5/8"	2'-5 5/8"	2'-9 5/8"	3'-1 5/8"	3'-5 5/8"			
Minimum Rough Opening	2'-2 1/8" (664)	2'-6 1/8" (765)	2'-10 1/8" (867)	3'-2 1/8" (968)	3'-6 1/8" (1070)			
Unobstructed Glass (Half Circle)	20 3/8" (518)	24 3/8" (619)	28 3/8" (721)	32 3/8" (822)	36 3/8" (924)			
Radius	12 13/16" (325)	14 13/16" (376)	16 13/16" (427)	18 13/16" (478)	20 13/16" (529)			
CTN20	1'-3 3/16" (386) 1'-3 3/4" (400) 10 3/16" (259)	CTN24	1'-7 3/16" (487) 1'-7 3/4" (502) 14 3/16" (360)	CTN28	1'-9 3/16" (538) 1'-9 3/4" (552) 16 3/16" (411)	CTN30	1'-11 3/16" (589) 1'-11 3/4" (603) 18 3/16" (462)	CTN34
		Unobstructed Glass (Eyebrow)	24 7/8" (632)	26 1/8" (664)	32 7/16" (824)			
		Radius	18 3/4" (476)	24" (610)	24" (610)			
		FCD28	10 7/16" (265) 11" (279) 5 3/4" (146)	FCD30	9 1/8" (232) 9 5/8" (244) 4 3/8" (111)	FCD34	1'-0 1/16" (306) 1'-0 5/8" (321) 7 5/16" (186)	
20210, 2032, 2036, 20310, 2042, 2046, 20410, 2052, 2056, 20510, 2062, 2072, 2076	24210, 2432, 2436, 24310, 2442, 2446, 24410, 2452, 2456, 24510, 2462, 2472, 2476	28210, 2832, 2836, 28310, 2842, 2846, 28410, 2852, 2856, 28510, 2862, 2872, 2876	30210, 3032, 3036, 30310, 3042, 3046, 30410, 3052, 3056, 30510, 3062, 3072, 3076	34210, 3432, 3436, 34310, 3442, 3446, 34410, 3452, 3456, 34510, 3462, 3472, 3476				

Table of Half Circle, Quarter Circle and Eyebrow Window Sizes – Casement/Awning

Scale 1/8" (3) = 1'-0" (305) – 1:96

Window Dimension	2'-0 1/8"	2'-4 3/8"	2'-7 1/2"	2'-11 15/16"	4'-0"		
Minimum Rough Opening	2'-0 5/8" (625)	2'-4 7/8" (733)	2'-8" (813)	3'-0 1/2" (927)	4'-0 1/2" (1232)		
Unobstructed Glass (Half & Quarter Circle)	19 1/2" (495)	23 3/4" (603)	26 7/8" (683)	31 5/16" (795)	43 3/8" (1102)		
Radius	12 1/16" (306)	14 3/16" (360)	15 3/4" (400)	18"* (457)	24" (610)		
CTC1	1'-2 3/8" (365) 1'-2 7/8" (378) 9 3/4" (248)	CTCW1	1'-6" (458) 1'-6 1/2" (470) 13 7/16" (341)	CTCX1	1'-8 1/4" (514) 1'-8 3/4" (527) 15 5/8" (397)	CTC2	2'-2 5/16" (668) 2'-2 7/8" (683) 21 11/16" (551)
Radius	24" (610)	28 1/4" (718)	31 3/8" (797)	35 13/16" (910)			
CTQC1	2'-0 1/8" (613) 2'-0 5/8" (625) 19 1/2" (495)	CTQCW1	2'-7 1/2" (800) 2'-8" (813) 26 7/8" (683)	CTQCX1	2'-11 15/16" (913) 3'-0 1/2" (927) 31 5/16" (795)	CTQA3	Unobstructed Glass (Eyebrow)
						28 15/16" (735)	
						Radius	
						18 3/4" (476)	
C12, C125, C13, C135, C14, C145, C15, C155, C16, CTR2010, AR21, AN21, A21, AW21, A212, A213	CW12, CW125, CW13, CW135, CW14, CW145, CW15, CW155, CW16, CTR2410, AR251, AN251, A251, AW251, AX251	CX125, CX13, CX135, CX14, CX145, CX15, CX155, CX16, CTR2810, AR281, AN281, A281, AW281, AX281, AXW281	CXW13, CXW135, CXW14, CXW145, CXW15, CXW155, CXW16, CTR3010, PTR3010, P3030, P3035, P3040, P3045, P3050, P3055, P3060, AR31, AN31, A31, AW31, AX31, AXW31, A335, A312, AXW312, A313, AP32V, PA3050, PA3060	C22, C225, C23, C235, C24, C245, C25, C255, C26, CTR4010, CTR22010, PTR4010, AR41, AN41, A41, AW41, AX41, AXW41, AR221, AN221, A221, AW221, P4030, P4035, P4040, P4045, P4050, P4055, P4060, AP24V, PA4060		FCCXW3	FCC2
						1'-1 3/8" (340) 1'-1 7/8" (352) 8 11/16" (221)	10 11/16" (271) 11 1/4" (286) 6" (152)

* "Window Dimension" always refers to outside frame to frame dimension.
 * "Minimum Rough Opening" dimensions may need to be increased to allow for use of building wraps, flashing, sill panning, brackets, fasteners or other items. See pages 288-289 for more details.
 • Dimensions in parentheses are in millimeters.
 *Actual radius of 17 31/32" (456).



Compatible double-hung, casement, awning and picture windows are shown below shaped windows. Grille patterns shown on page 134.

Half Circle Window Area Specifications - Double-Hung

Window Number	Glass Area Sq.Ft./ (m ²)
CTN20	1.1 (0.10)
CTN24	1.6 (0.15)
CTN28	2.2 (0.20)
CTN30	2.8 (0.26)
CTN34	3.6 (0.34)
CTN28-2	10.5 (0.98)
CTN30-2	13.4 (1.25)

Eyebrow Window Area Specifications

Window Number	Glass Area Sq.Ft./ (m ²)
FCD28	0.69 (0.06)
FCD30	0.54 (0.05)
FCD34	1.15 (0.11)
FCD38	0.84 (0.08)
FCCXW3	1.24 (0.12)
FCC2	1.02 (0.09)
FCCW2	2.78 (0.26)

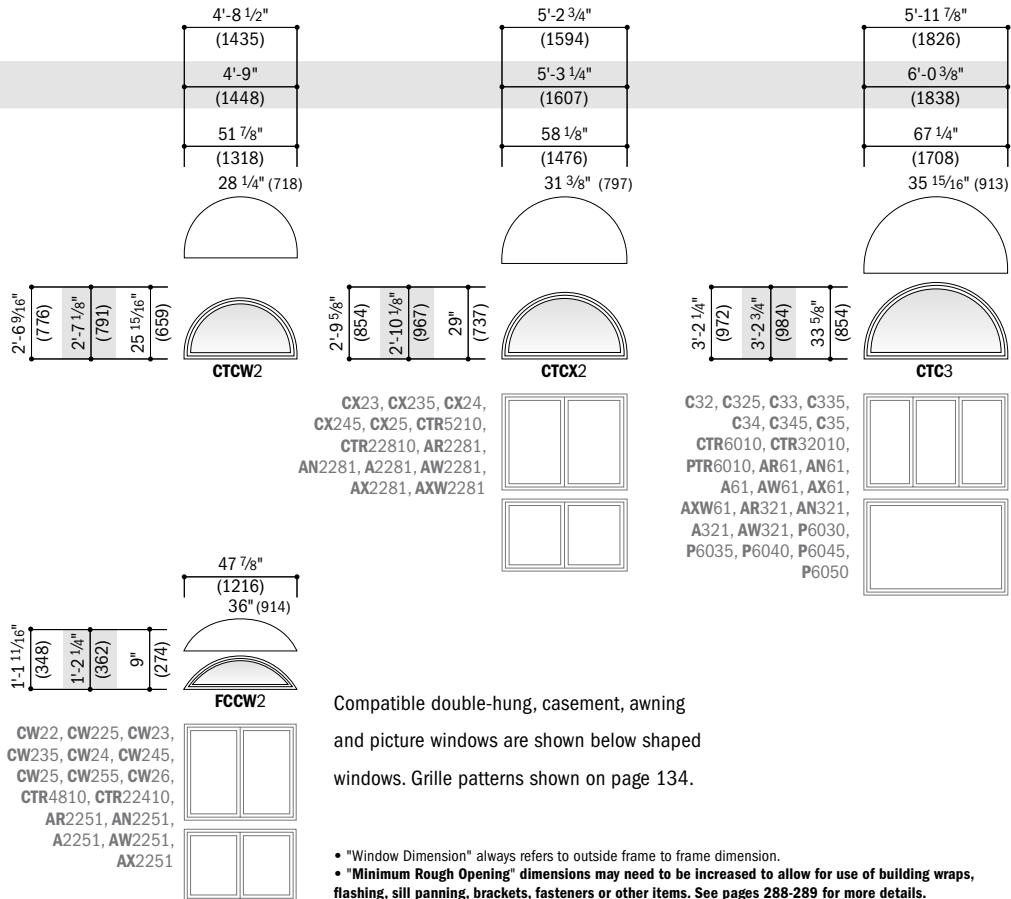
Half Circle Window Area Specifications - Casement/Awning

Window Number	Glass Area Sq.Ft./ (m ²)
CTC1	1.0 (0.09)
CTCW1	1.5 (0.14)
CTCXW1	2.7 (0.25)
CTC2	5.1 (0.47)
CTCW2	7.3 (0.68)
CTC3	12.3 (1.14)
CTCX1	2.0 (0.19)
CTCX2	9.3 (0.86)

Quarter Circle Window Area Specifications

Window Number	Glass Area Sq.Ft./ (m ²)
CTQC1	1.9 (0.18)
CTQCW1	3.0 (0.28)
CTQA3	5.2 (0.48)
CTQCX1	3.8 (0.35)

• Dimensions in parentheses are in square meters.



Compatible double-hung, casement, awning and picture windows are shown below shaped windows. Grille patterns shown on page 134.

- "Window Dimension" always refers to outside frame to frame dimension.
- "Minimum Rough Opening" dimensions may need to be increased to allow for use of building wraps, flashing, sill panning, brackets, fasteners or other items. See pages 288-289 for more details.
- Dimensions in parentheses are in millimeters.
- Actual radius of 33 ²¹/₃₂" (855).
- Actual radius of 37 ²¹/₃₂" (956).

SPECIALTY WINDOWS

Table of Eyebrow Window Sizes – Patio Doors

Scale 1/8" (3) = 1'-0" (305) – 1:96

Window Dimension	4'-11 1/4" (1504)	5'-11 1/4" (1810)
Minimum Rough Opening	4'-11 3/4" (1518)	5'-11 3/4" (1822)
Unobstructed Glass	49 7/16" (1256)	59 11/16" (1516)
Radius	36" (914)	48" (1219)
	FCFW50	FCFW60
	FWG5068, FWG50611, FWG5080, FWH5068, FWH50611, FWH5080, FWO5068, FWO50611, FWO5080, NLGD5068, NLGD50611, NLGD5080, PS5068, ISPD5068, ISPD50611, ISPD5076, ISPD5080	FWG6068, FWG60611, FWG6080, FWH6068, FWH60611, FWH6080, FWO6068, FWO60611, FWO6080, NLGD6068, NLGD60611, NLGD6080, ISPD6068, ISPD60611, ISPD6076, ISPD6080

Compatible patio doors are shown below shaped windows. Grille patterns shown below.

Table of Elliptical Window Sizes – Patio Doors

Scale 1/8" (3) = 1'-0" (305) – 1:96

Window Dimension	5'-11 1/4" (1810)	7'-11 1/4" (2419)
Minimum Rough Opening	6'-0" (1829)	8'-0" (2438)
Unobstructed Glass	66 1/4" (1683)	90 1/4" (2292)
	ET6	ET8
	FWG6068, FWG60611, FWG6080, FWH6068, FWH60611, FWH6080, FWO6068, FWO60611, FWO6080, NLGD6068, NLGD60611, NLGD6080, ISID6068, ISID60611, ISID6076, ISID6080	FWG8068, FWG80611, FWG8080, FWH8068, FWH80611, FWH8080, FWO8068, FWO80611, FWO8080, NLGD8068, NLGD80611, NLGD8080

- "Window Dimension" always refers to outside frame to frame dimension.
- "Minimum Rough Opening" dimensions may need to be increased to allow for use of building wraps, flashing, sill panning, brackets, fasteners or other items. See pages 288-289 for more details.
- Dimensions in parentheses are in millimeters.

Grille Patterns

	Renaissance	Colonial		Renaissance	Sunburst
Eyebrow			Half Circle & Quarter Circle		
Circle					
Oval			Elliptical		
Gothic				Monumental Quarter Circle	
Octagon			Monumental Circle		

Eyebrow Window Area Specifications

Window Number	Glass Area Sq.Ft./ (m ²)
FCFW50	2.57 (0.24)
FCFW60	3.15 (0.29)

Elliptical Window Area Specifications

Window Number	Glass Area Sq.Ft./ (m ²)
ET6	4.3 (0.40)
ET8	8.0 (0.74)

Circle & Oval Window Area Specifications

Window Number	Glass Area Sq.Ft./ (m ²)
CIR20	2.1 (0.20)
CIR24	3.0 (0.28)
CIR30	5.2 (0.48)
OVL1824	1.9 (0.18)
OVL2030	3.2 (0.30)
OVL3048	8.7 (0.81)

Gothic & Octagon Window Area Specifications

Window Number	Glass Area Sq.Ft./ (m ²)
GT2036	4.01 (0.37)
GT2440	5.84 (0.54)
GT3046	8.78 (0.82)
GT4056	14.88 (1.38)
OC20	2.14 (0.20)
OC24	3.12 (0.29)
OC30	5.63 (0.52)

Monumental Quarter Circle and Circle Area Specifications

Window Number	Glass Area Sq.Ft./ (m ²)
QR40	9.91 (0.92)
FR40	10.22 (0.95)
FR60	24.69 (2.29)

• Dimensions in parentheses are in square meters.

Patterns for specialty windows may not align with patterns for picture windows when horizontally joined. **Number of lights and overall pattern varies with window size. Patterns are not available in all configurations.** Specified equal light and custom patterns are also available. For more information on divided light, see page 11 or visit andersenwindows.com/grilles.

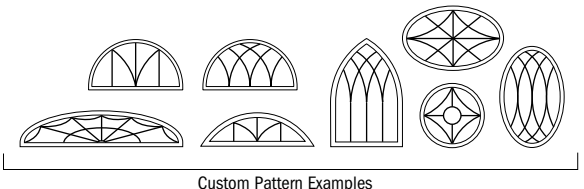


Table of Circle Window Sizes

Scale 1/8" (3) = 1'-0" (305) – 1:96







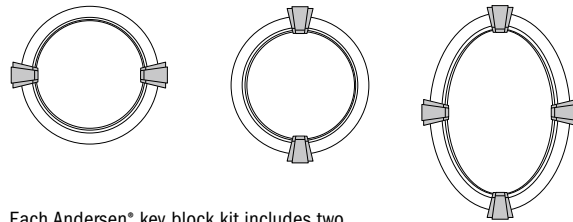
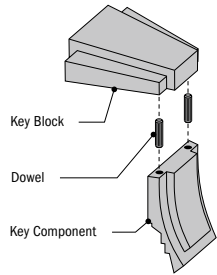
Window Dimension	2'-0 1/8" (613)	2'-4 3/8" (721)	2'-11 15/16" (913)
Minimum Rough Opening	2'-0 5/8" (625)	2'-4 7/8" (733)	3'-0 1/2" (927)
Unobstructed Glass	19 3/4" (502)	24" (610)	31 9/16" (802)
	 CIR20	 CIR24	 CIR30

Table of Oval Window Sizes

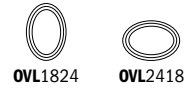
Scale 1/8" (3) = 1'-0" (305) – 1:96

Window Dimension	1'-7 3/4" (502)	2'-0" (610)	3'-0" (914)
Minimum Rough Opening	1'-8 1/4" (514)	2'-0 1/2" (622)	3'-0 1/2" (927)
Unobstructed Glass	15 3/8" (391)	19 3/8" (492)	31 3/8" (797)
	 OVL1824	 OVL2030	 OVL3048



Each Andersen® key block kit includes two key blocks and two key components.

Oval windows can be installed either vertically or horizontally.



Circle, oval, gothic, octagon and monumental specifications shown on page 134. Grille patterns shown on page 134.

Table of Extended Gothic Window Sizes

Scale 1/8" = 1'-0" (1:96)



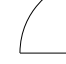

Window Dimension	2'-0 1/8" (613)	2'-4 3/8" (721)	2'-11 15/16" (913)	4'-0" (1219)
Minimum Rough Opening	2'-0 5/8" (625)	2'-4 7/8" (733)	3'-0 1/2" (927)	4'-0 1/2" (1232)
Unobstructed Glass	19 7/16" (495)	23 11/16" (602)	31 1/4" (794)	43 5/16" (110)
Radius	32 1/4" (819)	32 1/4" (819)	36" (914)	48" (1219)
	 GT2036	 GT2440	 GT3046	 GT4056

Table of Octagon Window Sizes

Scale 1/8" (3) = 1'-0" (305) – 1:96



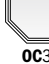
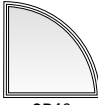

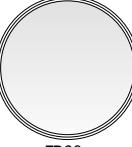
Window Dimension	2'-0" (610)	2'-4" (711)	3'-0" (914)
Minimum Rough Opening	2'-0 1/2" (622)	2'-4 1/2" (724)	3'-0 1/2" (927)
Unobstructed Glass	19 5/16" (491)	23 5/16" (592)	31 5/16" (795)
	 OC20	 OC24	 OC30

Table of Monumental Quarter Circle & Circle Window Sizes

Scale 1/8" (3) = 1'-0" (305) – 1:96

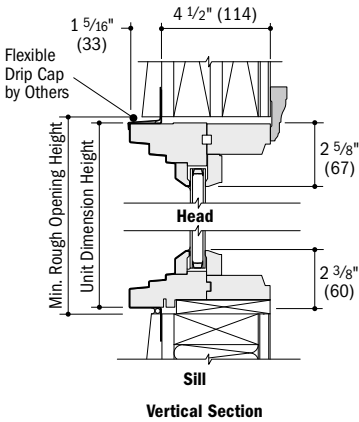
Window Dimension	4'-0" (1219)	4'-0" (1219)	6'-0" (1829)
Minimum Rough Opening	4'-0 1/2" (1232)	4'-0 1/2" (1232)	6'-0 1/2" (1842)
Unobstructed Glass	43 1/4" (1099)	43 5/16" (1100)	67 5/16" (1710)
Radius	48" (1219)	24" (610)	36" (914)
	 QR40	 FR40	 FR60

- "Window Dimension" always refers to outside frame to frame dimension.
- "Minimum Rough Opening" dimensions may need to be increased to allow for use of building wraps, flashing, sill panning, brackets, fasteners or other items. See pages 288-289 for more details.
- Dimensions in parentheses are in millimeters.

SPECIALTY WINDOWS

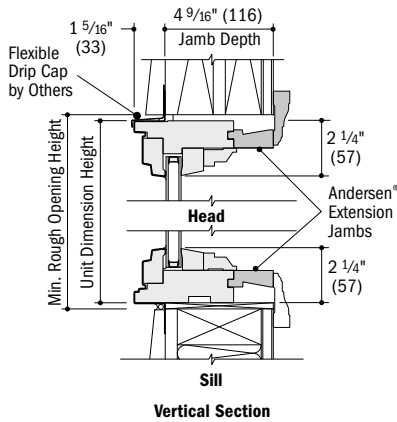
Double-Hung Half Circle Window Detail

Scale 1 1/2" (38) = 1'-0" (305) – 1:8



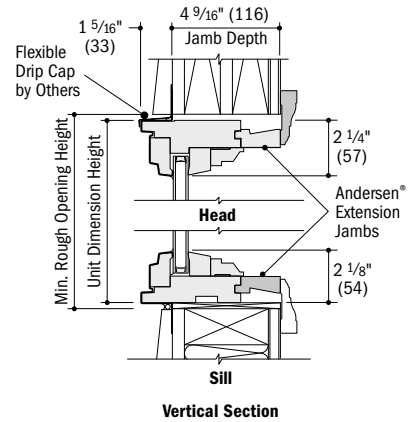
Casement/Awning Half Circle Window Detail

Scale 1 1/2" (38) = 1'-0" (305) – 1:8



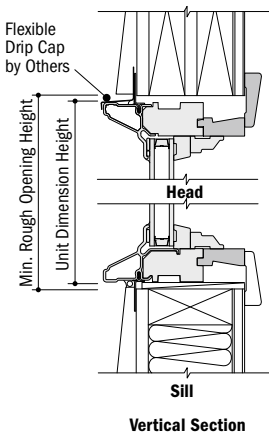
Casement/Awning Quarter Circle Window Detail

Scale 1 1/2" (38) = 1'-0" (305) – 1:8



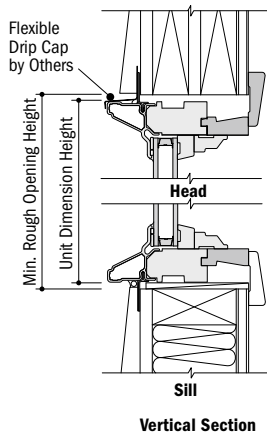
Eyebrow Window Details

Scale 1 1/2" (38) = 1'-0" (305) – 1:8



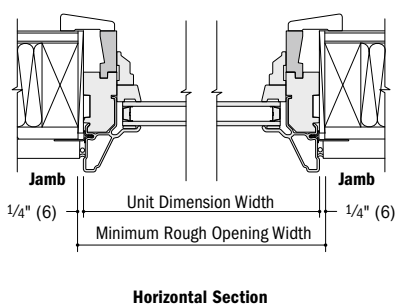
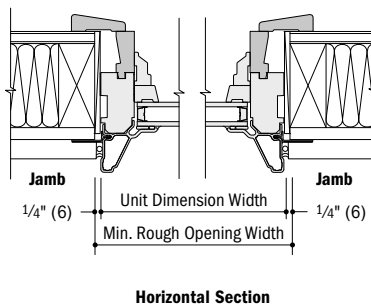
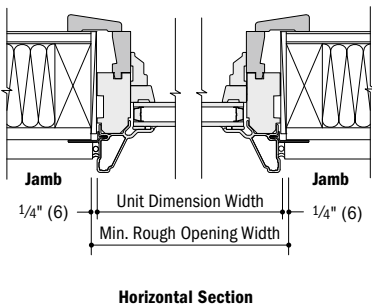
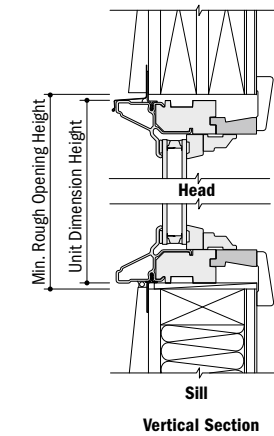
Gothic Window Details

Scale 1 1/2" (38) = 1'-0" (305) – 1:8



Octagon Window Details

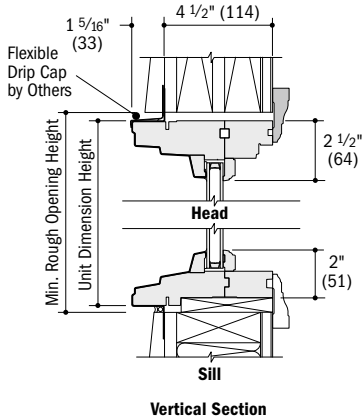
Scale 1 1/2" (38) = 1'-0" (305) – 1:8



- 4 9/16" (116) jamb depth measurement is from backside of installation flange.
- Light-colored areas are parts included with window. Dark-colored areas are additional Andersen® parts required to complete window assembly as shown.
- **Rough openings may need to be increased to allow for use of building wraps, flashing, sill panning, brackets, fasteners or other items. See installation information on pages 288-289.**
- Details are for illustration only and are not intended to represent product installation methods or materials. Refer to product installation guides at andersenwindows.com.
- Dimensions in parentheses are in millimeters.

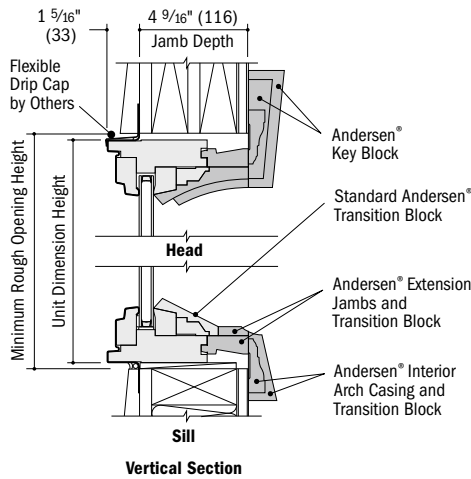
Elliptical Window Detail

Scale 1 1/2" (38) = 1'-0" (305) – 1:8



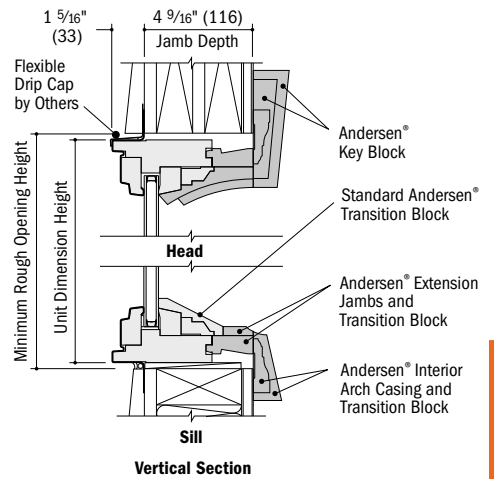
Circle Window Detail

Scale 1 1/2" (38) = 1'-0" (305) – 1:8



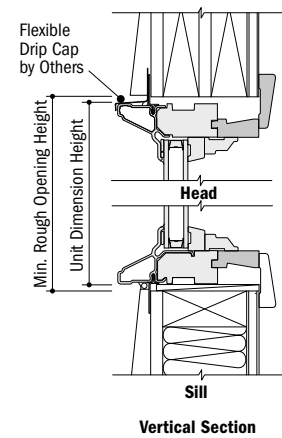
Oval Window Detail

Scale 1 1/2" (38) = 1'-0" (305) – 1:8



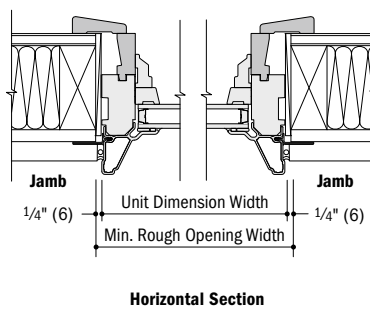
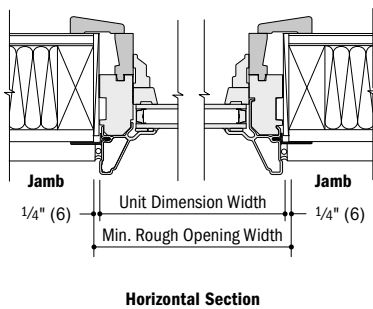
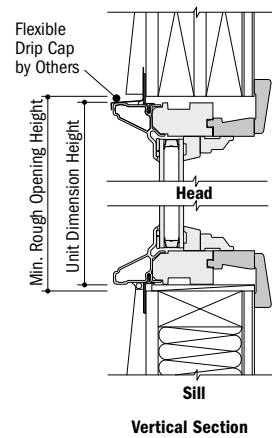
Monumental Quarter Circle Window Details

Scale 1 1/2" (38) = 1'-0" (305) – 1:8



Monumental Circle Window Details

Scale 1 1/2" (38) = 1'-0" (305) – 1:8



- 4 9/16" (116) jamb depth measurement is from backside of installation flange.
- Light-colored areas are parts included with window. Dark-colored areas are additional Andersen® parts required to complete window assembly as shown.
- **Rough openings may need to be increased to allow for use of building wraps, flashing, sill panning, brackets, fasteners or other items. See installation information on pages 288-289.**
- Details are for illustration only and are not intended to represent product installation methods or materials. Refer to product installation guides at andersenwindows.com.
- Dimensions in parentheses are in millimeters.

SPECIALTY WINDOWS

Horizontal (stack) Joining Details

Scale 1 1/2" (38) = 1'-0" (305) – 1:8

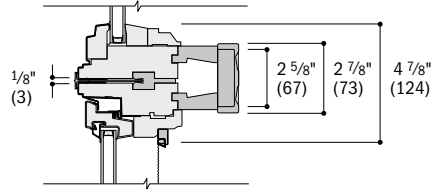
Casement Half Circle over Casement Window

Overall Window Dimension Height

Sum of individual window heights plus 1/8" (3) for each join.

Overall Rough Opening Height

Overall window dimension height plus 5/8" (16).



Vertical Section

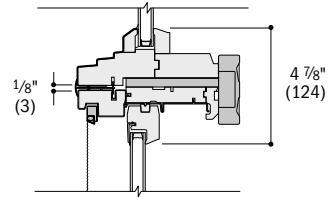
Double-Hung Half Circle over Tilt-Wash Double-Hung Window

Overall Window Dimension Height

Sum of individual window heights plus 0" for each join.

Overall Rough Opening Height

Overall window dimension height plus 3/8" (10).



Vertical Section

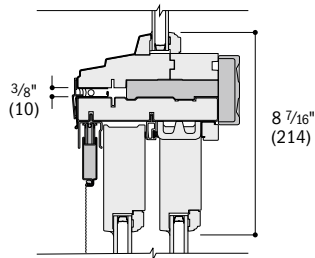
Elliptical Window over Frenchwood® Gliding Patio Door

Overall Unit Dimension Height

Sum of individual unit heights plus 3/8" (10).

Overall Rough Opening Height

Overall unit dimension height plus 5/8" (16).



Vertical Section

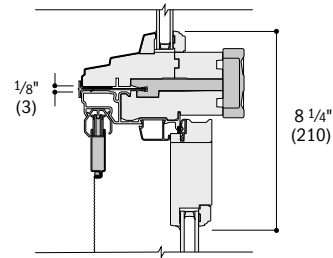
Elliptical Window over Frenchwood® Hinged Inswing Patio Door

Overall Unit Dimension Height

Sum of individual unit heights plus 1/8" (3).

Overall Rough Opening Height

Overall unit dimension height plus 1" (25).



Vertical Section

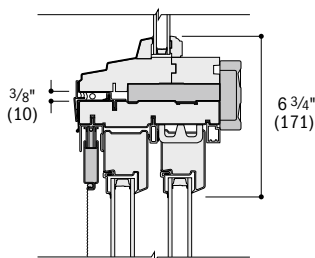
Elliptical Window over Perma-Shield® Gliding Patio Door

Overall Unit Dimension Height

Sum of individual unit heights plus 3/8" (10).

Overall Rough Opening Height

Overall unit dimension height plus 5/8" (16).

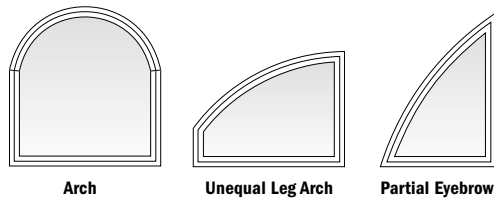


Vertical Section

For more joining information see the combination designs section starting on page 255.

- Light-colored areas are parts included with window. Dark-colored areas are additional Andersen® parts required to complete window assembly as shown.
- **Rough openings may need to be increased to allow for use of building wraps, flashing, sill panning, brackets, fasteners or other items. See installation information on pages 288-289.**
- Details are for illustration only and are not intended to represent product installation methods or materials. Refer to product installation guides at andersenwindows.com.
- Consult with an architect or structural engineer regarding minimum requirements for structural support members between adjacent rough openings.
- Dimensions in parentheses are in millimeters.

Custom Arch Windows



Andersen offers even greater design flexibility with custom-dimensioned equal leg arches, unequal leg arches and partial eyebrow. Custom arch windows can be designed using one of 10 standard radii, further expanding the existing line of 90 standard sizes of Andersen arch windows.



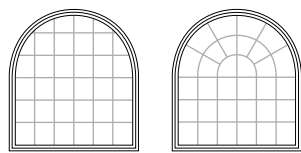
Springline™ Window Expressions



16' (4877) Radius for Combinations

Custom arch shapes and sizes are specially constructed to be used in combination with other Andersen® windows including casement, awning, double-hung, gliding and Flexiframe® windows and hinged or gliding patio doors.

Andersen grilles are available for most styles and sizes. Contact your supplier for availability.



Colonial

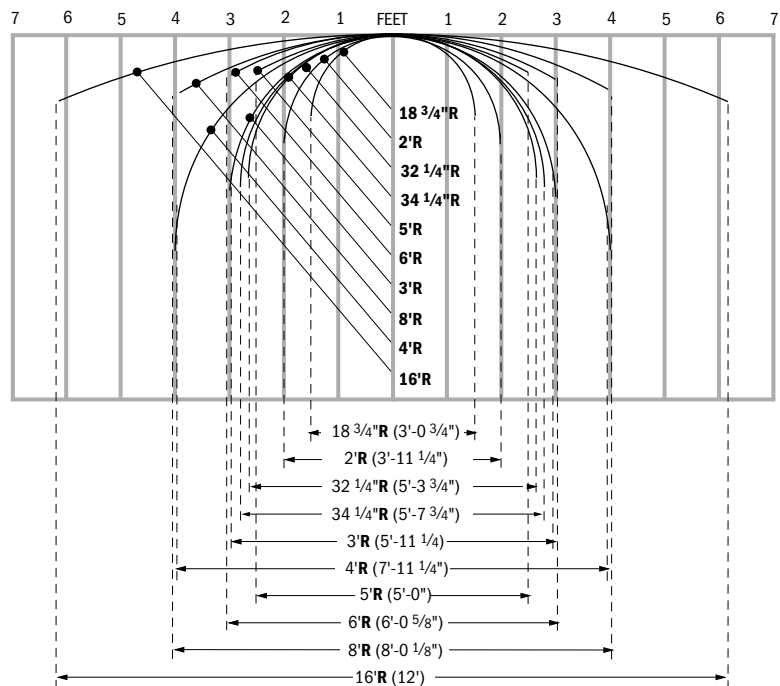
Renaissance

Design Criteria

Listed below are some factors that must be considered when deciding on a custom arch size and shape. For specific design criteria, joining guidelines and order information, contact your Andersen supplier.



- **Do all calculations in inches to 3 decimal places**
- **Order extension jambs along with window for correct sizing**
- **All units are stationary**
- **Maximum standard glass area of 60 sq. ft. or 5.57 m²**
- **Ten standard radii:**
18 3/4" (476), 2' (610), 32 1/4" (819), 34 1/4" (870), 3' (914), 4' (1219), 5' (1524), 6' (1829), 8' (2438), 16' (4877)
- **Maximum radii:** based on available radius piece length, contact supplier for specific information
- **Maximum equal leg width:** 36 3/4" (399) for 18 3/4" (476) radius to 12' (3658) for 16' (4877) radius
- **Maximum unequal leg width:** 18 3/4" (476) for 18 3/4" radius to 11'-2" (3404) for 16' (4877) radius
- **Maximum partial eyebrow width:** 18 3/4" (476) for 18 3/4" radius to 11'-5 1/2" (3493) for 16' (4877) radius
- **Only one dimension, height or width can exceed 7'-0" (2134)**
- **No height dimension greater than 12'-0" (3658)**
- **No leg dimension less than 6" (152)**



**Standard Radii for Custom Arch
Maximum Width for Equal Leg Arch**

• Dimensions in parentheses are in millimeters.

SPECIALTY WINDOWS

Table of Arch Window Sizes

Scale 1/8" (3) = 1'-0" (305) – 1:96

Notes on the next page also apply to this page.

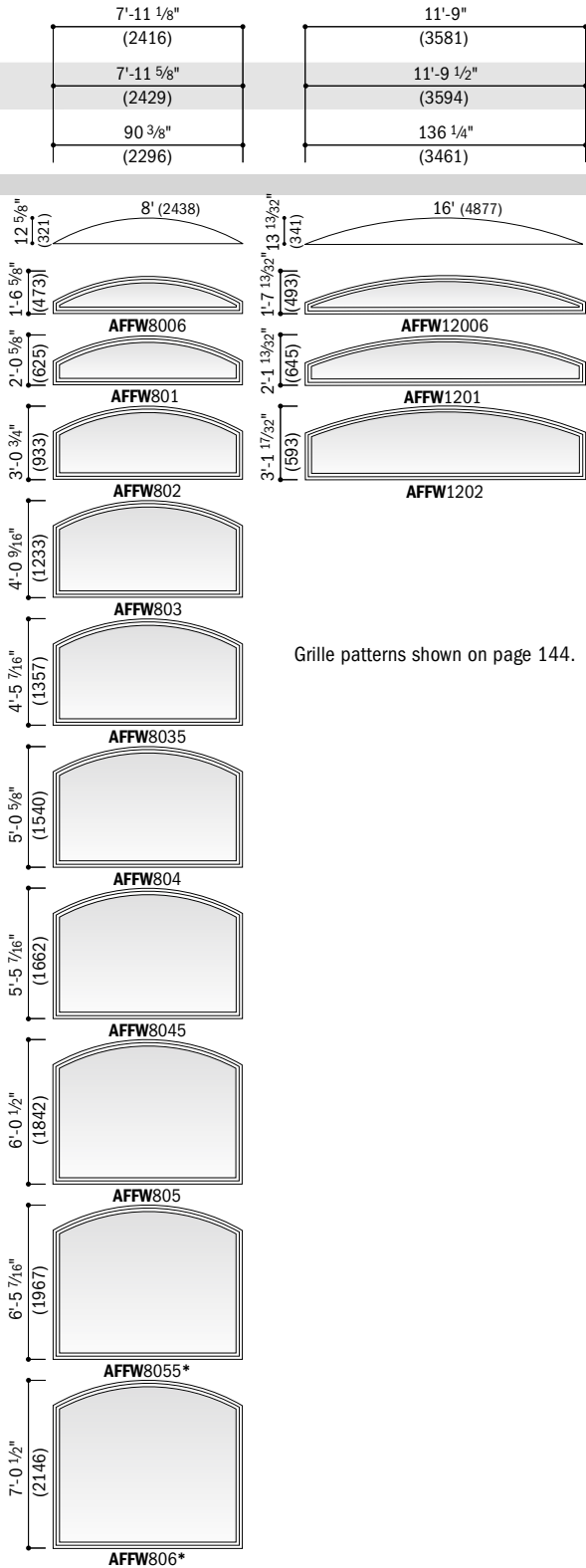
Window Width Dimension	2'-0 1/8" (613)	2'-4 3/8" (721)	2'-11 15/16" (913)	4'-0" (1219)	4'-8 1/2" (1435)	4'-11 1/4" (1505)	5'-11 1/4" (1810)
Minimum Rough Opening	2'-0 5/8" (625)	2'-4 7/8" (733)	3'-0 1/2" (927)	4'-0 1/2" (1232)	4'-9" (1448)	4'-11 3/4" (1518)	5'-11 3/4" (1822)
Unobstructed Glass	19 3/8" (492)	23 5/8" (600)	31 3/16" (792)	43 1/4" (1099)	51 3/4" (1314)	54 1/2" (1384)	66 1/2" (1689)

Window height shown in table

Minimum Rough Opening = window height + 1/2" (13)

Unobstructed Glass = window height - 4 3/4" (121)

CUSTOM SIZES AVAILABLE		CUSTOM SIZES AVAILABLE											
		Radius	Chord Height	Shoulder Height	2' (610)	2' (610)	3' (914)	4' (1219)	5' (1524)	5' (1524)	6' (1829)		
2'-0 1/8" (613)	2'-4 3/8" (721)	2'-11 15/16" (913)	4'-0" (1219)	4'-8 1/2" (1435)	4'-11 1/4" (1505)	5'-11 1/4" (1810)	2'-0 1/8" (613)	2'-4 3/8" (721)	2'-11 15/16" (913)	4'-0" (1219)	4'-8 1/2" (1435)	4'-11 1/4" (1505)	5'-11 1/4" (1810)
2'-0 5/8" (625)	2'-4 7/8" (733)	3'-0 1/2" (927)	4'-0 1/2" (1232)	4'-9" (1448)	4'-11 3/4" (1518)	5'-11 3/4" (1822)	2'-0 5/8" (625)	2'-4 7/8" (733)	3'-0 1/2" (927)	4'-0 1/2" (1232)	4'-9" (1448)	4'-11 3/4" (1518)	5'-11 3/4" (1822)
19 3/8" (492)	23 5/8" (600)	31 3/16" (792)	43 1/4" (1099)	51 3/4" (1314)	54 1/2" (1384)	66 1/2" (1689)	19 3/8" (492)	23 5/8" (600)	31 3/16" (792)	43 1/4" (1099)	51 3/4" (1314)	54 1/2" (1384)	66 1/2" (1689)
2'-0 1/8" (613)	2'-4 3/8" (721)	2'-11 15/16" (913)	4'-0" (1219)	4'-8 1/2" (1435)	4'-11 1/4" (1505)	5'-11 1/4" (1810)	2'-0 1/8" (613)	2'-4 3/8" (721)	2'-11 15/16" (913)	4'-0" (1219)	4'-8 1/2" (1435)	4'-11 1/4" (1505)	5'-11 1/4" (1810)
2'-0 5/8" (625)	2'-4 7/8" (733)	3'-0 1/2" (927)	4'-0 1/2" (1232)	4'-9" (1448)	4'-11 3/4" (1518)	5'-11 3/4" (1822)	2'-0 5/8" (625)	2'-4 7/8" (733)	3'-0 1/2" (927)	4'-0 1/2" (1232)	4'-9" (1448)	4'-11 3/4" (1518)	5'-11 3/4" (1822)
19 3/8" (492)	23 5/8" (600)	31 3/16" (792)	43 1/4" (1099)	51 3/4" (1314)	54 1/2" (1384)	66 1/2" (1689)	19 3/8" (492)	23 5/8" (600)	31 3/16" (792)	43 1/4" (1099)	51 3/4" (1314)	54 1/2" (1384)	66 1/2" (1689)



Grille patterns shown on page 144.



Custom-size windows are available in 1/8" (3) increments.

Arch Window Area Specifications

Window Number	Glass Area Sq.Ft./ (m ²)
AFC106	0.7 (0.07)
AFC11	1.6 (0.15)
AFC12	3.4 (0.32)
AFC13	5.1 (0.47)
AFC135	5.8 (0.54)
AFC14	6.8 (0.63)
AFC145	7.5 (0.70)
AFC15	8.5 (0.79)
AFC155	9.2 (0.86)
AFC16	10.3 (0.96)
AFC18	13.8 (1.28)
AFCW106	1.1 (0.10)
AFCW11	2.1 (0.20)
AFCW12	4.2 (0.39)
AFCW13	6.3 (0.59)
AFCW135	7.1 (0.66)
AFCW14	8.4 (0.78)
AFCW145	9.2 (0.86)
AFCW15	10.4 (0.97)
AFCW155	11.3 (1.05)
AFCW16	12.5 (1.16)
AFCW18	16.8 (1.56)
AFCP3006	1.4 (0.13)
AFCP301	2.8 (0.26)
AFCP302	5.5 (0.51)
AFCP303	8.2 (0.76)
AFCP3035	9.3 (0.86)
AFCP304	10.9 (1.01)
AFCP3045	12.0 (1.12)
AFCP305	13.6 (1.26)
AFCP3055	14.7 (1.37)
AFCP306	16.3 (1.51)
AFCP308	21.8 (2.03)
AFC206	2.2 (0.20)
AFC21	4.1 (0.38)
AFC22	7.8 (0.73)
AFC23	11.5 (1.07)
AFC235	13.0 (1.21)
AFC24	15.2 (1.41)
AFC245	16.7 (1.55)
AFC25	18.9 (1.76)
AFC255	20.4 (1.90)
AFC26	22.6 (2.10)
AFC28	30.2 (2.81)
AFCW206	2.8 (0.26)
AFCW21	5.1 (0.47)

Window Number	Glass Area Sq.Ft./ (m ²)
AFCW22	9.5 (0.88)
AFCW23	13.9 (1.29)
AFCW235	15.7 (1.46)
AFCW24	18.3 (1.70)
AFCW245	20.1 (1.87)
AFCW25	22.7 (2.11)
AFCW255	24.6 (2.29)
AFCW26	27.2 (2.53)
AFCW28	36.1 (3.35)
AFFW5006	3.2 (0.30)
AFFW501	5.5 (0.51)
AFFW502	10.3 (0.96)
AFFW503	14.8 (1.38)
AFFW5035	16.7 (1.55)
AFFW504	19.5 (1.81)
AFFW5045	21.4 (1.99)
AFFW505	24.1 (2.24)
AFFW5055	26.1 (2.43)
AFFW506	28.8 (2.68)
AFFW508	38.2 (3.55)
AFFW6006	4.4 (0.41)
AFFW601	7.2 (0.67)
AFFW602	12.9 (1.20)
AFFW603	18.5 (1.72)
AFFW6035	20.8 (1.93)
AFFW604	24.2 (2.25)
AFFW6045	26.5 (2.46)
AFFW605	29.8 (2.77)
AFFW6055	32.1 (2.98)
AFFW606	35.5 (3.30)
AFFW608	46.9 (4.36)
AFFW8006	7.3 (0.68)
AFFW801	11.1 (1.03)
AFFW802	18.8 (1.75)
AFFW803	26.4 (2.45)
AFFW8035	29.5 (2.74)
AFFW804	34.1 (3.17)
AFFW8045	37.1 (3.45)
AFFW805	41.6 (3.87)
AFFW8055	44.8 (4.16)
AFFW806	49.3 (4.58)
AFFW12006	9.9 (0.92)
AFFW1201	15.6 (1.45)
AFFW1202	27.1 (2.52)

• Dimensions in parentheses are in square meters.

- "Window Dimension" always refers to outside frame to frame dimension.
- "Minimum Rough Opening" dimensions may need to be increased to allow for use of building wraps, flashing, sill panning, brackets, fasteners or other items. See pages 288-289 for more details.
- Dimensions in parentheses are in millimeters.
- *Tempered glass standard.

SPECIALTY WINDOWS

Table of Springline™ Window Sizes

Scale 1/8" (3) = 1'-0" (305) – 1:96

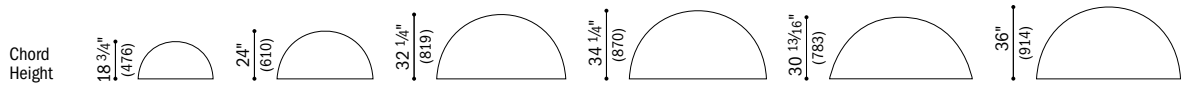
Notes on the next page also apply to this page.

Window Width Dimension	3'-1 1/2" (953)	4'-0" (1219)	5'-4 1/2" (1638)	5'-8 1/2" (1740)	5'-11 1/4" (1810)	6'-0" (1829)
Minimum Rough Opening	3'-2" (965)	4'-0 1/2" (1232)	5'-5" (1651)	5'-9" (1753)	5'-11 3/4" (1822)	6'-0 1/2" (1842)
Unobstructed Glass	32 3/4" (832)	43 1/4" (1099)	59 3/4" (1518)	63 3/4" (1619)	66 1/2" (1689)	67 1/4" (1708)

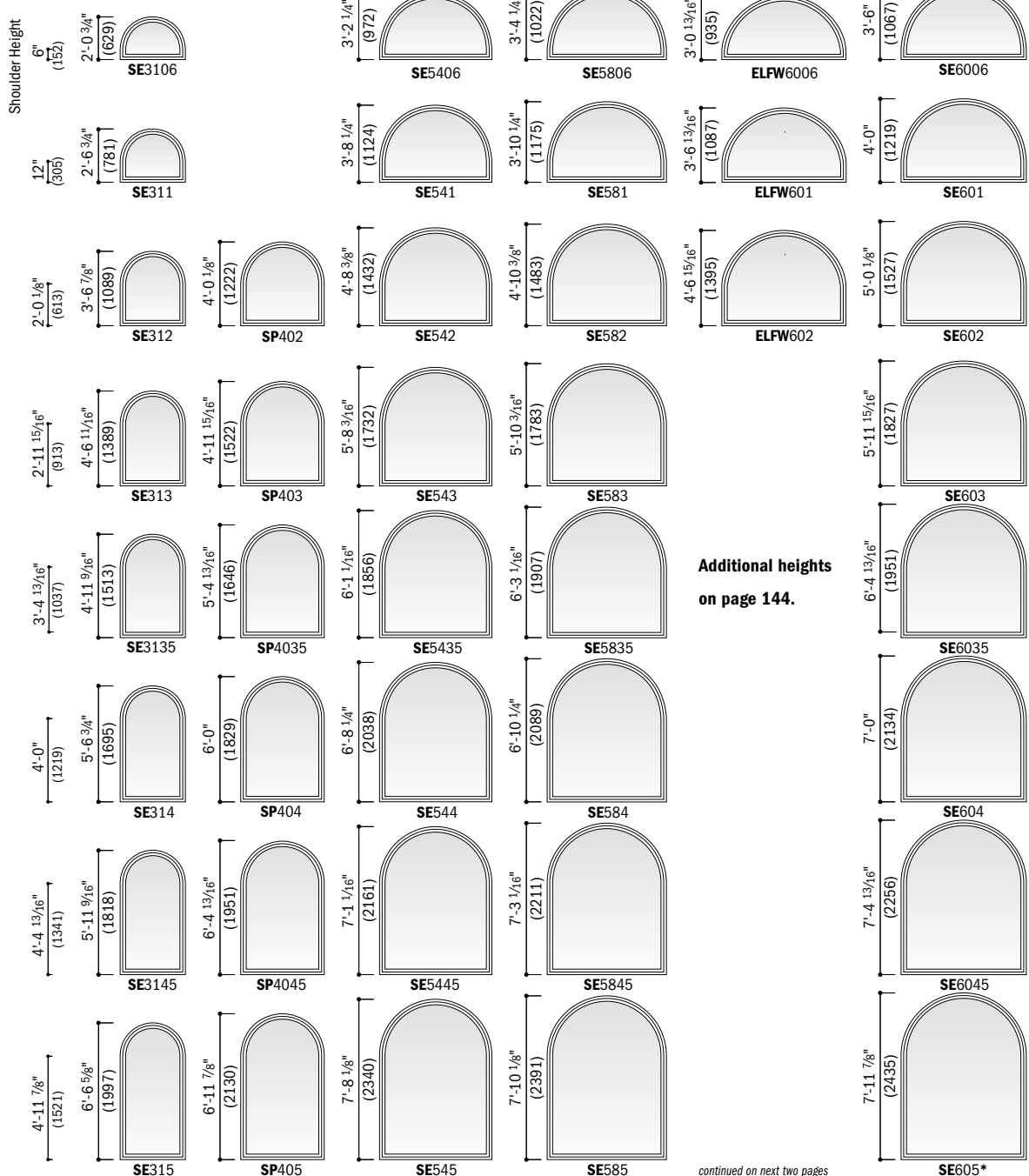
CUSTOM SIZES AVAILABLE

Window height shown in table

Radius	18 3/4" (476)	24" (610)	32 1/4" (819)	34 1/4" (870)	36" (914)	36" (914)
--------	---------------	-----------	---------------	---------------	-----------	-----------

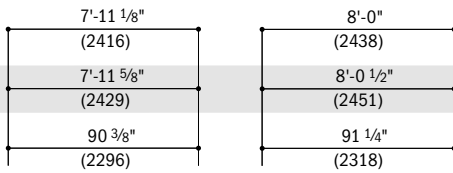


CUSTOM SIZES AVAILABLE



Additional heights on page 144.

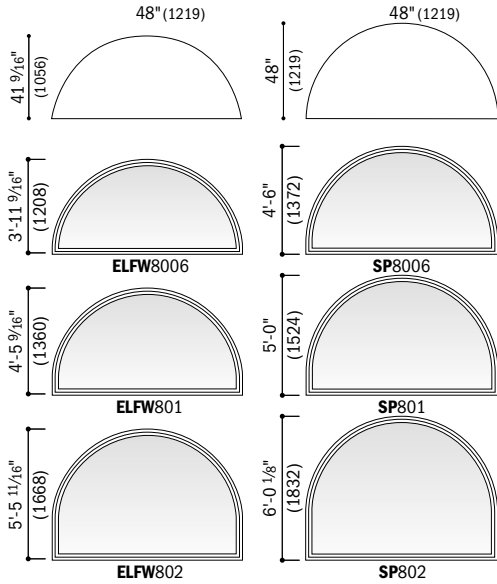
continued on next two pages



Custom-size windows are available in 1/8" (3) increments.

Extension jambs are available factory applied when ordered at the same time as Springline™ windows.

Grille patterns shown on page 144.



continued on next page

Springline™ Window Area Specifications

Window Number	Glass Area Sq.Ft./ (m ²)
SE3106	3.74 (0.35)
SE311	5.10 (0.47)
SE312	7.86 (0.73)
SE313	10.54 (0.98)
SE3135	11.65 (1.08)
SE314	13.28 (1.23)
SE3145	14.38 (1.34)
SE315	15.98 (1.49)
SE3155	17.10 (1.59)
SE316	18.71 (1.74)
SE5406	11.22 (1.04)
SE541	13.71 (1.27)
SE542	18.74 (1.74)
SE543	23.64 (2.20)
SE5435	25.66 (2.38)
SE544	28.64 (2.66)
SE5445	30.64 (2.85)
SE545	33.57 (3.12)
SE5455	35.61 (3.31)
SE546	38.54 (3.58)
SE5806	12.67 (1.18)
SE581	15.33 (1.42)
SE582	20.69 (1.92)
SE583	25.92 (2.41)
SE5835	28.08 (2.61)
SE584	31.26 (2.90)
SE5845	33.39 (3.10)
SE585	36.51 (3.39)
SE5855	38.70 (3.60)
SE586	41.82 (3.89)
SE6006	14.01 (1.30)
SE601	16.81 (1.56)
SE602	22.47 (2.09)
SE603	27.98 (2.60)
SE6035	30.26 (2.81)
SE604	33.61 (3.12)
SE6045	35.86 (3.33)
SE605	39.16 (3.64)
SE6055	41.46 (3.85)
SE606	44.76 (4.16)
SP402	11.62 (1.08)
SP403	15.16 (1.41)
SP4035	16.63 (1.55)
SP404	18.78 (1.75)
SP4045	20.23 (1.88)
SP405	22.35 (2.08)
SP4055	23.83 (2.21)
SP406	25.95 (2.41)
SP8006	24.98 (2.32)
SP801	24.98 (2.32)
SP802	36.46 (3.39)
ELFW6006	11.58 (1.08)
ELFW601	14.35 (1.33)
ELFW602	19.95 (1.85)
ELFW8006	20.88 (1.94)
ELFW801	24.64 (2.29)
ELFW802	32.25 (3.00)

• Dimensions in parentheses are in square meters.

- "Window Dimension" always refers to outside frame to frame dimension.
- "Minimum Rough Opening" dimensions may need to be increased to allow for use of building wraps, flashing, sill panning, brackets, fasteners or other items. See pages 288-289 for more details.
- Dimensions in parentheses are in millimeters.
- Tempered glass standard.

SPECIALTY WINDOWS

Table of Springline™ Window Sizes (continued)

Scale 1/8" (3) = 1'-0" (305) – 1:96

Window Width Dimension	3'-1 1/2" (953)	4'-0" (1219)	5'-4 1/2" (1638)	5'-8 1/2" (1740)	6'-0" (1829)
Minimum Rough Opening	3'-2" (965)	4'-0 1/2" (1232)	5'-5" (1651)	5'-9" (1753)	6'-0 1/2" (1842)
Unobstructed Glass	32 3/4" (832)	43 1/4" (1099)	59 3/4" (1518)	63 3/4" (1619)	67 1/4" (1708)

CUSTOM SIZES AVAILABLE					
Radius	18 3/4" (476)	24" (610)	32 1/4" (819)	34 1/4" (870)	36" (914)
Window height shown in table	Chord Height 18 3/4" (476)	24" (610)	32 1/4" (819)	34 1/4" (870)	36" (914)
CUSTOM SIZES AVAILABLE	Shoulder Height 5'-4 13/16" (1646)	7'-4 13/16" (2256)	8'-1 1/16" (2465)	8'-3 1/16" (2515)	8'-4 13/16" (2561)
	Unobstructed Glass = window height - 4 3/4" (121)	5'-11 7/8" (1826)	7'-6 5/8" (2302)	7'-11 7/8" (2435)	8'-8 1/8" (2645)
	SE3155	SP4055	SE5455	SE5855*	SE6055*
	SE316	SP406	SE546*	SE586*	SE606*

Table is continued from page 142.

Custom-size windows are available in 1/8" (3) increments.

- "Window Dimension" always refers to outside frame to frame dimension.
- "Minimum Rough Opening" dimensions may need to be increased to allow for use of building wraps, flashing, sill panning, brackets, fasteners or other items. See pages 288-289 for more details.
- Dimensions in parentheses are in millimeters.
- *Tempered glass standard.

Extension jambs are available factory applied when ordered at the same time as Springline™ windows. Grille patterns shown below.

Grille Patterns

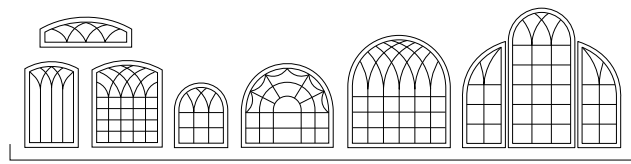
	Colonial	Renaissance	Sunburst
Arch			
Springline™			
Springline™ Flanker			

Number of lights and overall pattern varies with window size. Patterns are not available in all configurations.

Specified equal light and custom patterns are also available.

For more information on divided light, see page 11 or visit

andersenwindows.com/grilles.



Custom Pattern Examples

Table of Springline™ Flanker Window Sizes

Scale 1/8" (3) = 1'-0" (305) – 1:96

Window Dimension	1'-5" (432)	1'-5" (432)	1'-8 1/2" (521)	1'-8 1/2" (521)	2'-0 1/8" (613)	2'-0 1/8" (613)	2'-4 3/8" (721)	2'-4 3/8" (721)	2'-11 15/16" (913)	2'-11 15/16" (913)
Minimum Rough Opening	1'-5 1/2" (445)	1'-5 1/2" (445)	1'-9" (533)	1'-9" (533)	2'-0 5/8" (625)	2'-0 5/8" (625)	2'-4 7/8" (733)	2'-4 7/8" (733)	3'-0 1/2" (927)	3'-0 1/2" (927)
Unobstructed Glass	12 3/4" (324)	12 3/4" (324)	15 3/4" (400)	15 3/4" (400)	19 3/8" (492)	19 3/8" (492)	23 5/8" (600)	23 5/8" (600)	31 3/16" (792)	31 3/16" (792)
Radius	CR 18 3/4" (476)		CN 24" (610)		C 32 1/4" (819)		CW 32 1/4" (819)		CXW 36" (914)	
Chord Height	18 5/8" (473)		23 11/16" (584)		31 3/16" (792)		32" (813)		36" (914)	
Shoulder Height	2'-11 15/16" (913)		3'-0 1/2" (927)		3'-0 1/2" (927)		3'-0 1/2" (927)		3'-0 1/2" (927)	
Shoulder Height	3'-4 13/16" (1037)		3'-5 3/8" (1051)		3'-5 3/8" (1051)		3'-5 3/8" (1051)		3'-5 3/8" (1051)	
Shoulder Height	4'-0" (1219)		4'-0 1/2" (1232)		4'-0 1/2" (1232)		4'-0 1/2" (1232)		4'-0 1/2" (1232)	
Shoulder Height	4'-11 7/8" (1521)		5'-0 3/8" (1534)		5'-0 3/8" (1534)		5'-0 3/8" (1534)		5'-0 3/8" (1534)	
Shoulder Height	5'-11 7/8" (1826)		6'-0 3/8" (1838)		6'-0 3/8" (1838)		6'-0 3/8" (1838)		6'-0 3/8" (1838)	

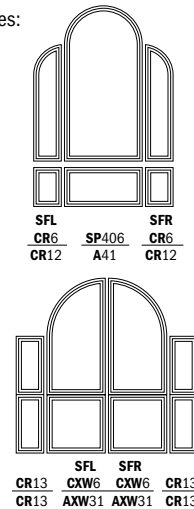
- "Window Dimension" always refers to outside frame to frame dimension.
- "Minimum Rough Opening" dimensions may need to be increased to allow for use of building wraps, flashing, sill panning, brackets, fasteners or other items. See pages 288-289 for more details.
- Dimensions in parentheses are in millimeters.



To order Springline™ flanker windows contact your Andersen supplier.

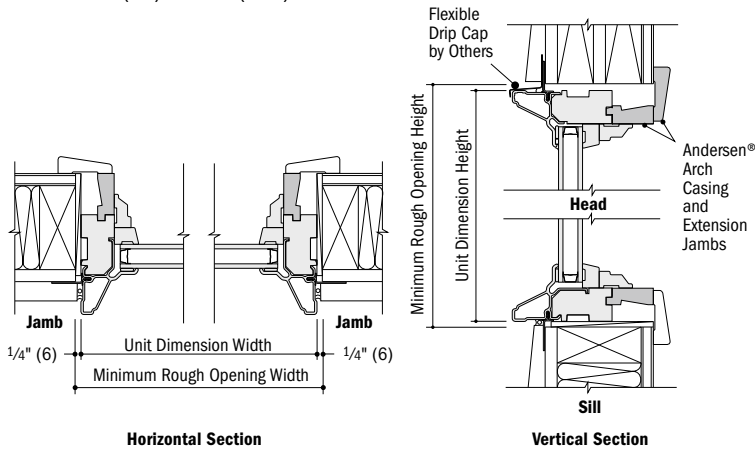
Custom window dimensions shown in table are compatible with standard casement window widths (CR, CN, C, CW, CXW) and heights (C3, C35, C4, C5, C6). Grille patterns shown on page 144.

Examples:



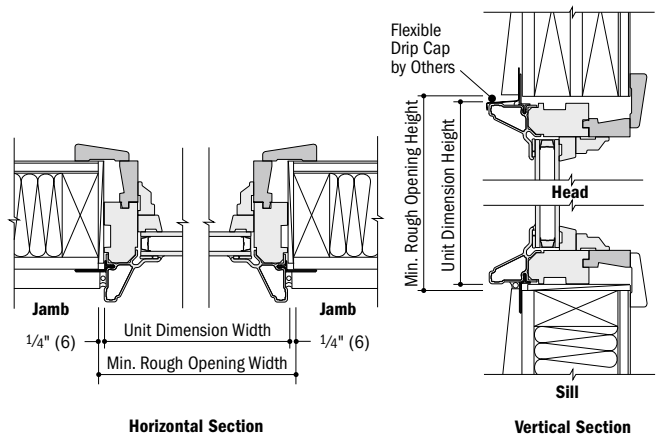
Arch Window Details

Scale 1 1/2" (38) = 1'-0" (305) – 1:8



Springline™ Window Details

Scale 1 1/2" (38) = 1'-0" (305) – 1:8



- Light-colored areas are parts included with window. Dark-colored areas are additional Andersen® parts required to complete window assembly as shown.
- Rough openings may need to be increased to allow for use of building wraps, flashing, sill panning, brackets, fasteners or other items. See installation information on pages 288-289.
- Details are for illustration only and are not intended to represent product installation methods or materials. Refer to product installation guides at andersenwindows.com.
- Dimensions in parentheses are in millimeters.

400 Series
Specialty Windows

SPECIALTY WINDOWS

Flexiframe® Window Shapes and Design Criteria

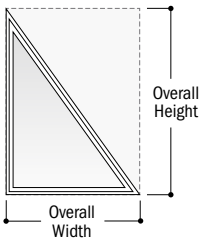
Minimum and Maximum Limits

Flexiframe® windows available in many shapes and sizes with these limitations:

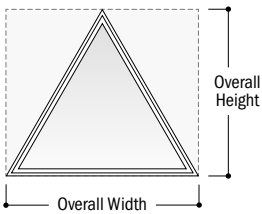
- **Maximum standard glass area of 60 sq.ft. or 5.57 m²**
- **Square footage is based on a square or rectangular shape**
- **No angle may be less than 14°**
- **No leg may be less than 6" (152) or greater than 144" (3658)**
- **No short leg may be greater than 84" (2134)**
- **See product information below for additional limitations based on specific shapes**



Triangle

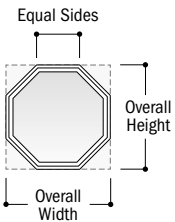


Right triangles contain one 90° corner. Specify overall width and overall height extending from the 90° corner.



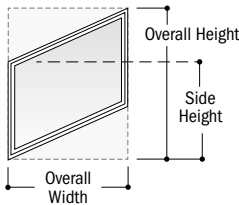
Isosceles triangles contain two sides of equal length and equal angle. Specify overall width and overall height (sill to peak).

Octagon

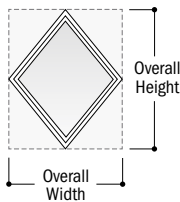


Octagons contain eight equal angles and sides. Specify length of equal side. Standard-size octagons are available in 2' (610), 2'-4" (711) and 3' (914) dimensions. See page 135.

Parallelogram

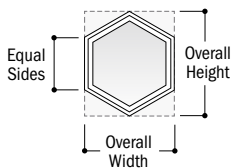


Parallelograms contain two pairs of parallel sides. Specify overall width along with side height and overall window height.

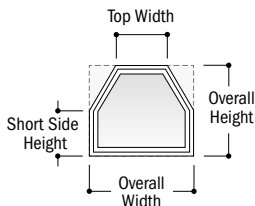


Diamonds contain two pairs of parallel and equal length sides. Specify overall width and overall height.

Hexagon

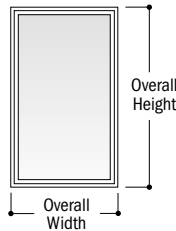
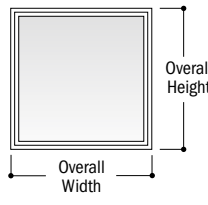


Hexagons contain six equal angles and sides. Specify length of equal side.



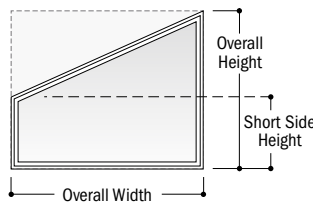
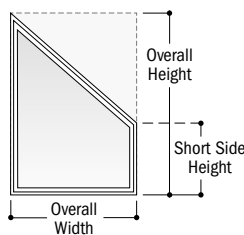
Unequal hexagons contain three pairs of angles and two sets of equal length sides. Top side is parallel to and is centered over the sill. Specify overall width, top width, short side height and overall height.

Rectangle



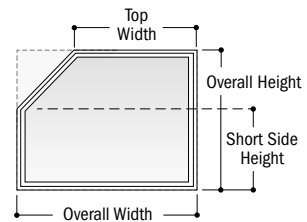
Rectangles contain four equal angles and two equal sides for rectangles or four equal sides for squares. Specify overall width and overall height.

Trapezoid

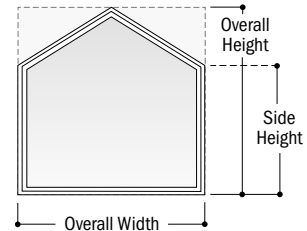


Trapezoids contain angle face cut to left or right. Specify overall width along with short side height and overall height. Window's pitch is often designed to match a roof's pitch.

Pentagon



Angled pentagons contain an angle cut, or a "cut-off corner" sloping to left or right. Specify overall width and top width along with short side height and overall height.

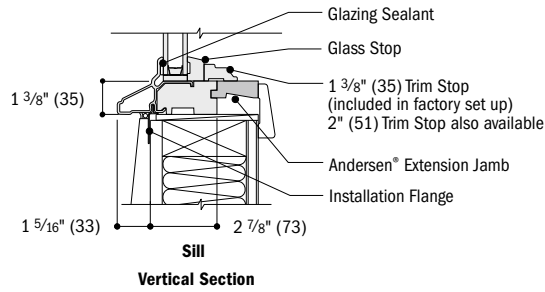


Peak pentagons contain sides of equal length, extending at right angles from the sill, and two angled sides, of equal length, that peak above center of sill. Specify overall width, side height and overall height.

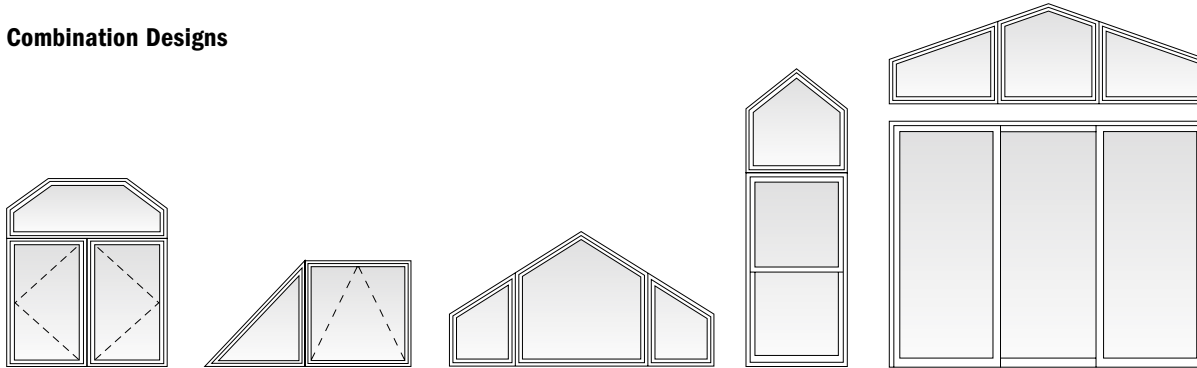
• Dimensions in parentheses are in millimeters.

Flexiframe® Window Detail

Scale 1 1/2" (38) = 1'-0" (305) – 1:8



Combination Designs

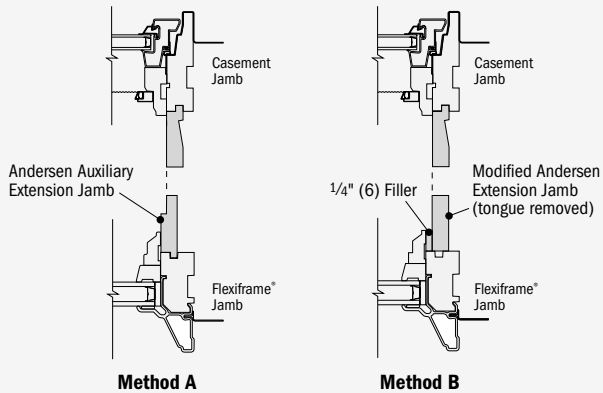


400 Series
Specialty Windows

Extension Jamb Alignment

For these joined 400 Series window combinations only:

- Arch, Springline™ or Flexiframe® over Casement
- Arch, Springline™ or Flexiframe® alongside Awning



Method A: Individually Framed Use optional Andersen auxiliary extension jambs for individual picture frame trimming.

Method B: Perimeter Framed For continuous perimeter trimming, remove tongue and use 1/4" (6) thick filler between Arch, Springline™ or Flexiframe® trim stop and extension jamb.

Vertical (ribbon) Joining Detail

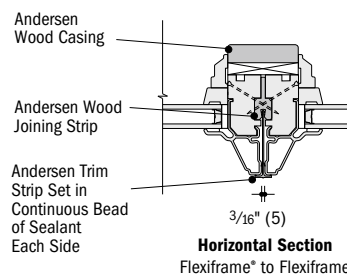
Scale 1 1/2" (38) = 1'-0" (305) – 1:8

Overall Window Dimension Width

Sum of individual window widths plus 3/16" (5) for each join.

Overall Rough Opening Width

Overall window dimension width plus 1/2" (13).



Horizontal joining on next page.

For more joining information, see the combination designs section starting on page 255.

• Light-colored areas are parts included with window. Dark-colored areas are additional Andersen® parts required to complete window assembly as shown.
 • Rough openings may need to be increased to allow for use of building wraps, flashing, sill panning, brackets, fasteners or other items. See installation information on pages 288-289.
 • Details are for illustration only and are not intended to represent product installation methods or materials. Refer to product installation guides at andersenwindows.com.
 • Dimensions in parentheses are in millimeters.

SPECIALTY WINDOWS

Horizontal (stack) Joining Details

Scale 1 1/2" (38) = 1'-0" (305) – 1:8

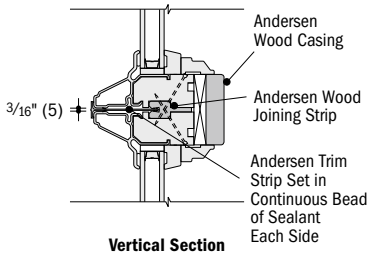
Flexiframe® over Flexiframe Window

Overall Window Dimension Height

Sum of individual window heights plus 3/16" (5) for each join.

Overall Rough Opening Height

Overall window dimension height plus 1/2" (13).



Vertical Section

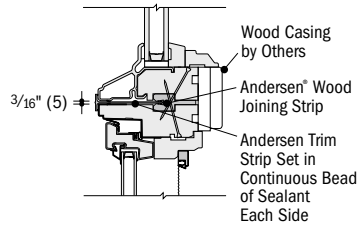
Flexiframe® over Casement Window

Overall Window Dimension Height

Sum of individual window heights plus 3/16" (5) for each join.

Overall Rough Opening Height

Overall window dimension height plus 1/2" (13).



Vertical Section

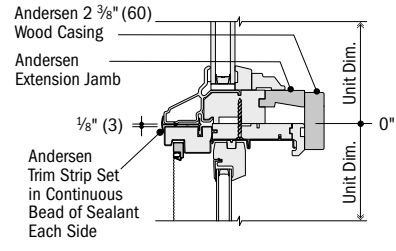
Flexiframe® over Tilt-Wash Double-Hung Window

Overall Window Dimension Height

Sum of individual window heights plus 1/8" (3) for each join.

Overall Rough Opening Height

Overall window dimension height plus 1/2" (13).



Vertical Section

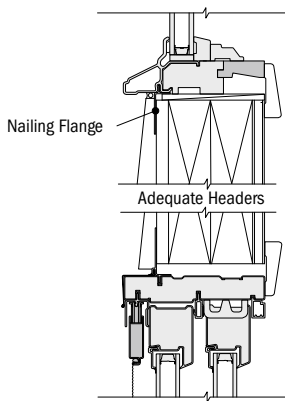
Vertical joining on previous page.

For more joining information, see the combination designs section starting on page 255.

Separate Rough Openings Details

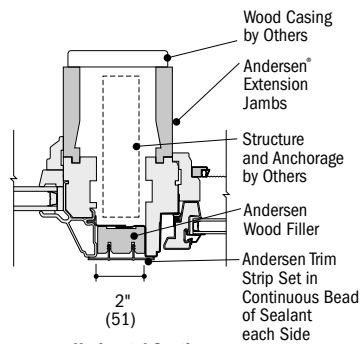
Scale 1 1/2" (38) = 1'-0" (305) – 1:8

To meet structural requirements or to achieve a wider joined appearance, windows may be installed into separate rough openings having vertical support (by others) in combination with Andersen® exterior filler and exterior vinyl trim.



Vertical Section

Flexiframe® and Perma-Shield® Gliding Patio Door



Horizontal Section

Flexiframe® and Awning

- Light-colored areas are parts included with window. Dark-colored areas are additional Andersen® parts required to complete window assembly as shown.
- **Rough openings may need to be increased to allow for use of building wraps, flashing, sill panning, brackets, fasteners or other items. See installation information on pages 288-289.**
- Details are for illustration only and are not intended to represent product installation methods or materials. Refer to product installation guides at andersenwindows.com.
- Consult with an architect or structural engineer regarding minimum requirements for structural support members between adjacent rough openings.
- Dimensions in parentheses are in millimeters.

COMPLEMENTARY SPECIALTY WINDOWS

CUSTOM SIZING
in 1/8" (3) increments



400 Series
Complementary
Specialty Windows

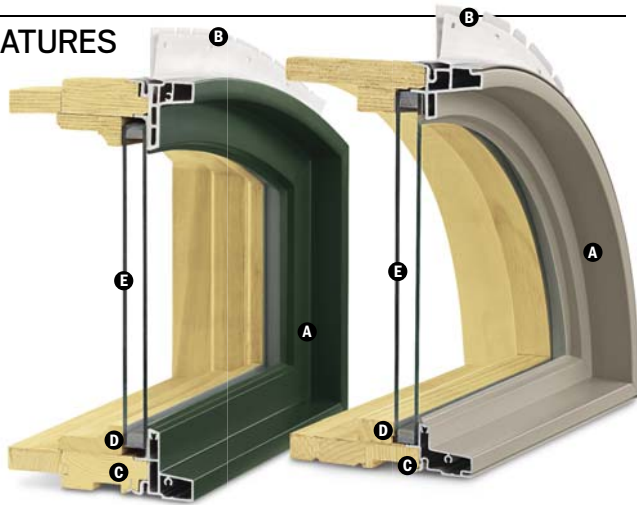
SECTION REFERENCE

Window Details	152
Joining Details.....	152
Combination Designs	255
Product Performance.....	269
Warranty.....	290-291

Dimensions in parentheses are in millimeters.

COMPLEMENTARY SPECIALTY WINDOWS

FEATURES



Frame

A Heavy-duty aluminum cladding protects the frame exterior, providing low-maintenance durability. Standard cladding finish meets AAMA 2604. An optional finish that meets the AAMA 2605 standard is also available.

B A vinyl installation flange extends 1 1/2" (38) around the perimeter of the unit to help properly position the unit in the opening. Installation clips are standard for increased structural anchoring to building members. Mounted around the frame perimeter, the clips rotate into position and can be bent into place against the framing members to suit all jamb conditions.

C Wood members are treated with a water-repellent wood preservative for long-lasting* protection and performance. Radii are made of laminated pine veneers. Lineal components are solid or engineered wood with a pine core.

D Silicone glazing bead combined with two-sided silicone tape provides superior weathertightness.

Jambs

A variety of basic unit jamb designs and depths are available to match 400 Series units. Specify desired jamb depth when ordering.

Glass

E High-Performance glass options include:

- Low-E4® glass
- Low-E4 HeatLock® glass
- Low-E4 Sun glass
- Low-E4 SmartSun™ glass
- Low-E4 SmartSun HeatLock glass

Tempered glass and other glass options are available. Contact your Andersen supplier.

A removable translucent film helps shield the glass from damage during delivery and construction and simplifies finishing at the jobsite.

Patterned Glass

Patterned glass options are available. See page 10 for more details.



Complementary specialty windows are available with Stormwatch® protection. For more details, visit andersenwindows.com/coastal.

CAUTION:

- Do not paint weatherstripping.
- Creosote-based stains should not come in contact with Andersen products.
- Abrasive cleaners or solutions containing corrosive solvents should not be used on Andersen products.

ACCESSORIES Sold Separately

Frame

Extension Jambs

Standard jamb depths are 4 1/16" (116) or 2 7/8" (73). Extension jambs are available in 1/16" (1.5) increments between 4 1/16" (116) and 7 1/8" (181). Additional dimensions are available. Contact your Andersen supplier for more information. Extension jambs are available in unfinished pine or prefinished White, Dark Bronze or Black. Available for jobsite application or can be factory-applied.

Plinth Blocks

For enhancing casing transitions. Decorated with a radial sunburst, or use the reverse side flush face.



For arch windows, use 2 7/8" (73) x 4" (102) size plinth block with 2 1/4" (57) and 2 1/2" (64) casing. Use 3 1/8" (98) x 5 1/4" (133) size with 3 1/2" (89) casing.



For half circle, circle, elliptical and oval windows, use 2 7/8" (73) size plinth block with 2 1/4" (57) and 2 1/2" (64) casing. Use 3 1/8" (98) size with 3 1/2" (89) casing.

Interior Arch Casing

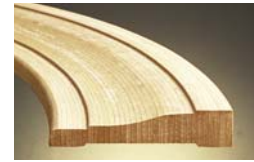
Available in Colonial or Ranch styles. Additional profiles are also available. For easy integration and consistency, casing dimensions are consistent with Wood Moulding and Millwork Producers Association specifications. Available in pine, oak and maple.



2 1/4" (57) Colonial style. **WM366**



2 1/2" (64) Colonial style. **WM351**



3 1/2" (89) Colonial style. **WM444**



2 1/4" (57) Ranch style. **WM324**
2 1/2" (64) Ranch style. **WM315**

EXTERIOR

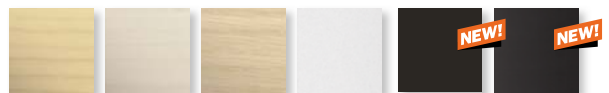


White Canvas Sandtone Terratone Forest Green Dark Bronze



Dove Gray Prairie Grass Red Rock Cocoa Bean Black

INTERIOR



Pine Maple Oak White Dark Bronze Black

Naturally occurring variations in grain, color and texture of wood make each window one-of-a-kind. All wood interiors are unfinished unless a prefinished option is specified.

* Visit andersenwindows.com/warranty for details.

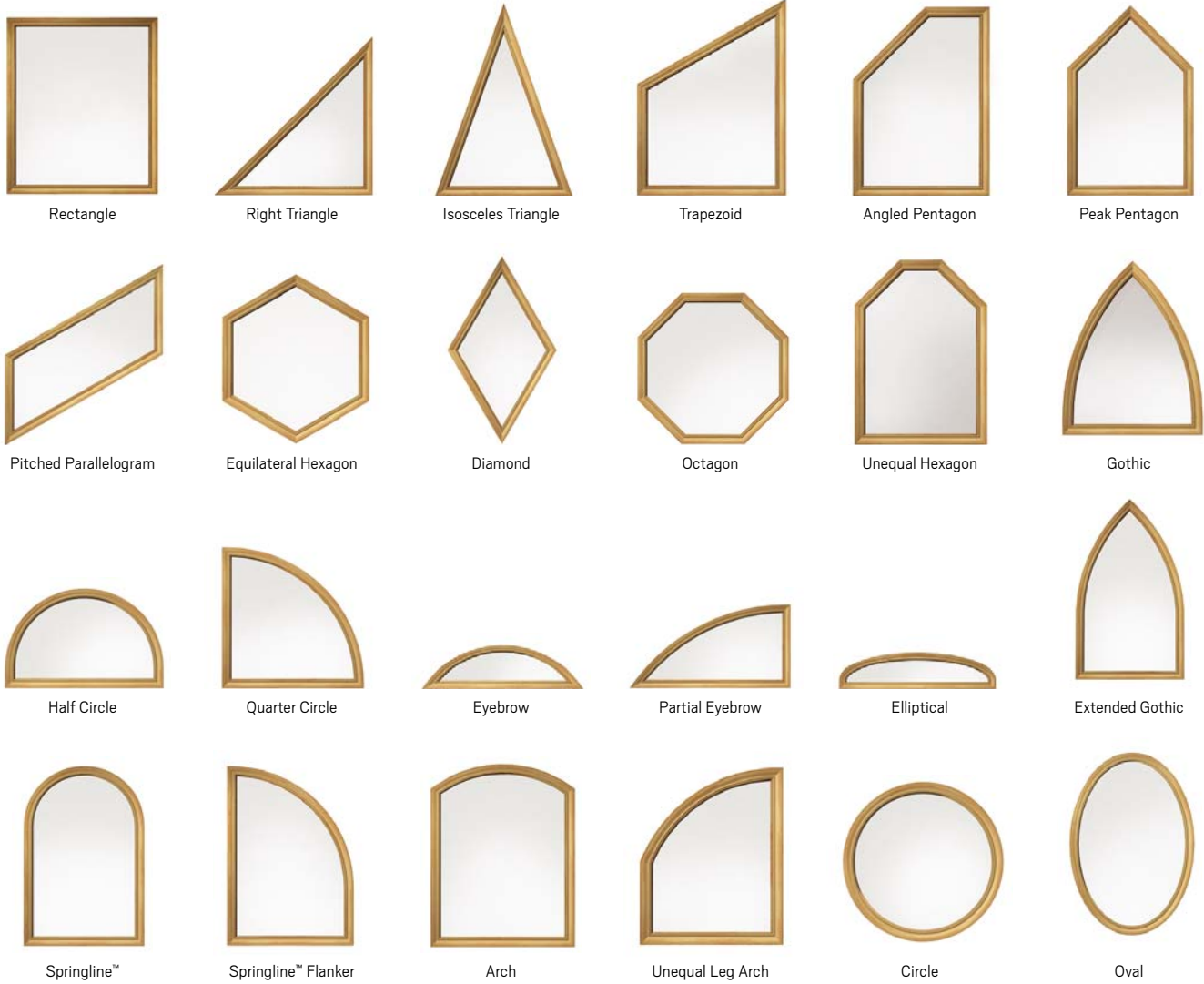
Dimensions in parentheses are in millimeters.

Printing limitations prevent exact duplication of colors and finishes.

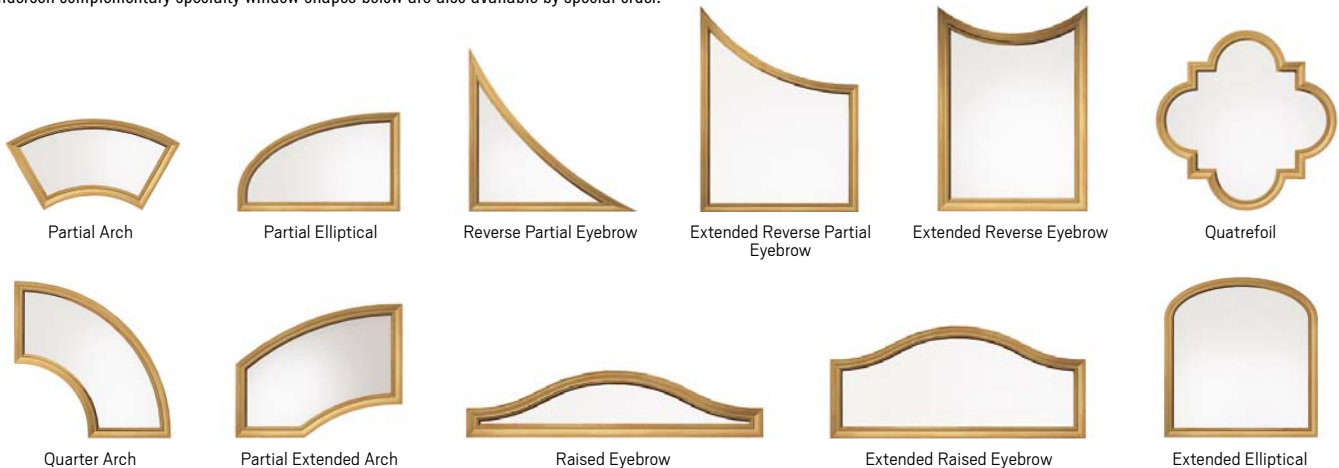
See your Andersen supplier for actual color and finish samples.

Shapes

Andersen® complementary specialty windows are available in a variety of sizes. Fixed unit profiles may vary dependent upon shape. Contact your Andersen supplier for specific sizes, details and joining information.



The Andersen complementary specialty window shapes below are also available by special order.

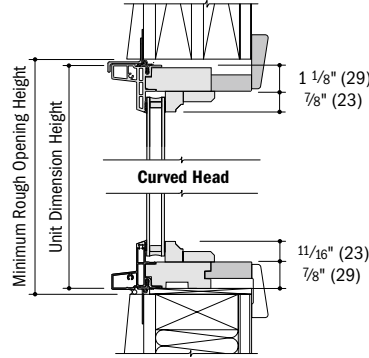
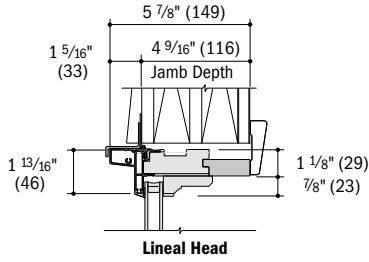


COMPLEMENTARY SPECIALTY WINDOWS

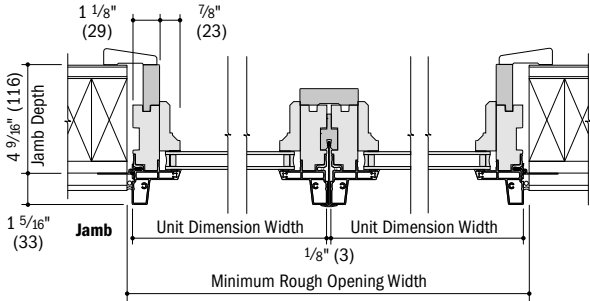
Complementary Specialty Window Details

Scale 1 1/2" (38) = 1'-0" (305) – 1:8

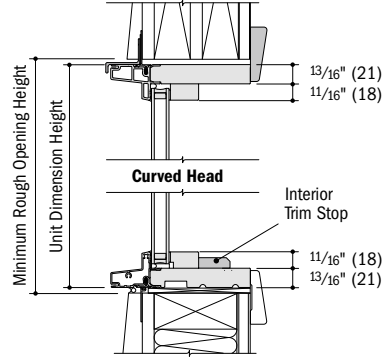
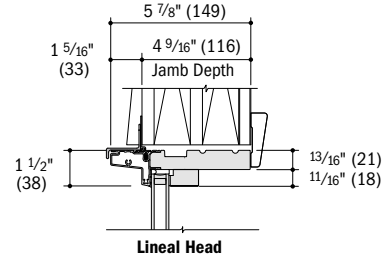
Complements Casement, Awning and Picture Windows



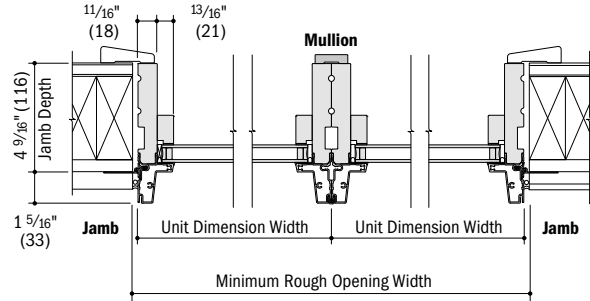
Vertical Section



Complements Double-Hung Windows and Patio Doors

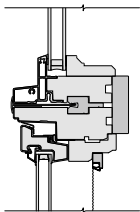


Vertical Section



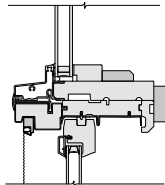
Horizontal (stack) Joining Detail

Scale 1 1/2" (38) = 1'-0" (305) – 1:8



Vertical Section

400 Series Complementary Specialty over
400 Series Casement Window

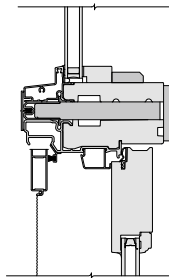


Vertical Section

400 Series Complementary Specialty over
400 Series Woodwright® Double-Hung Window

Horizontal (stack) Joining Detail – LVL

Scale 1 1/2" (38) = 1'-0" (305) – 1:8



Vertical Section

400 Series Complementary Specialty over
400 Series Frenchwood® Hinged Inswing Patio Door

For more joining information, see the combination designs section starting on page 255.

- 4 9/16" (116) jamb depth measurement is from backside of installation flange.
- Light-colored areas are parts included with window. Dark-colored areas are additional Andersen® parts required to complete window assembly as shown.
- Rough openings may need to be increased to allow for use of building wraps, flashing, sill panning, brackets, fasteners or other items. See installation information on pages 288-289.
- Details are for illustration only and are not intended to represent product installation methods or materials. Refer to product installation guides at andersenwindows.com.
- Dimensions in parentheses are in millimeters.

FRENCHWOOD[®] GLIDING PATIO DOORS

CUSTOM SIZING
in 1/8" (3) increments



400 Series
Frenchwood[®]
Gliding Patio Doors

SECTION REFERENCE

Table of Sizes.....	156
Specifications	158
Custom Sized Doors.....	157
Grille Patterns	157
Door Details	158-159
Joining Details.....	160
Combination Designs	255
Product Performance.....	269
Warranty.....	290-291

Dimensions in parentheses are in millimeters.

FRENCHWOOD® GLIDING PATIO DOORS

FEATURES

Frame

A The sill has an extruded aluminum track, with a stainless steel cap that resists stain, rust and denting*. A thermal barrier reduces conductive heat loss and limits condensation on the inside. The sill has an attractive wear-resistant, heat-baked finish in a neutral gray color.

B All basic exterior frame members are covered with a rigid vinyl sheath that maintains an attractive appearance while minimizing maintenance.

C Wood frame members are treated with a water-repellent preservative for long-lasting* protection and performance. Interior frame trim pieces are unfinished pine. Oak and maple veneer and prefinished White interior options are available.

Factory-assembled doors are available (two-panel doors) and arrive at the jobsite ready to install. Unassembled doors are also available and require jobsite assembly.

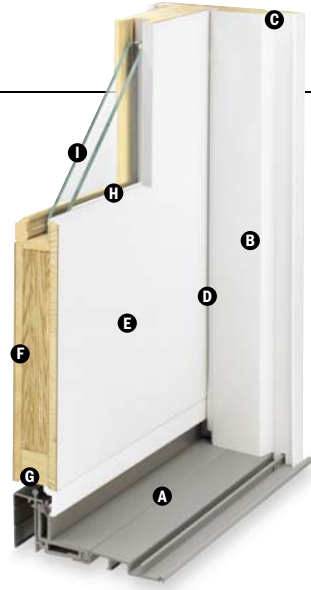
D A flexible vinyl weatherstrip at the head and side jambs provides a positive seal between the frame and panels.

Panel

E The exterior of the wood door panel is protected with a low-maintenance urethane base finish in White, Sandtone, Terratone or Forest Green color.

F Panel interior surfaces are unfinished pine veneer. Unfinished oak and maple veneers are available as options. Low-maintenance prefinished White interiors are also available on units with White exteriors.

G Dual ball-bearing rollers on door panels provide smooth gliding operation with self-contained leveling adjusters.



Mortise-and-Tenon Joints



Panel joints are mortise-and-tenon with patented dowel construction for maximum strength.

Flexible Seal



A full-length combination weatherstrip/interlock system provides a flexible seal at the meeting stile.

Glass

H Panels are silicone bed glazed and finished with an interior wood stop.

I High-Performance glass options include:

- Low-E4® tempered glass
- Low-E4 HeatLock® tempered glass
- Low-E4 Sun tempered glass
- Low-E4 SmartSun™ tempered glass
- Low-E4 SmartSun HeatLock tempered glass

Additional glass options are available. Contact your Andersen supplier.

A removable translucent film helps shield the glass from damage during delivery and construction and simplifies finishing at the jobsite.

Patterned Glass

Patterned glass options are available. See page 10 for more details.

EXTERIOR

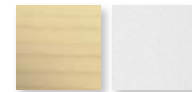


White Sandtone



Terratone Forest Green

INTERIOR



Pine White



Maple Oak

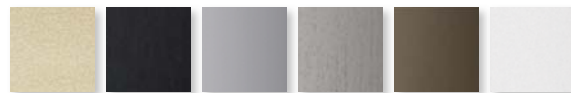
Prefinished White interiors are only available on units with White exteriors.

Naturally occurring variations in grain, color and texture of wood make each door one-of-a-kind. All wood interiors are unfinished unless prefinished White is specified.

HARDWARE FINISHES



Antique Brass Black Bright Brass Brushed Chrome Distressed Bronze Distressed Nickel



Gold Dust Oil Rubbed Bronze Polished Chrome Satin Nickel Stone White

Distressed bronze and oil rubbed bronze are "living" finishes that will change with time and use.

GLIDING PATIO DOOR HARDWARE OPTIONS** *Bold name denotes finish shown.*



YUMA®

Distressed Bronze
Distressed Nickel



ENCINO™

Distressed Bronze
Distressed Nickel



ANVERS®

Bright Brass
Oil Rubbed Bronze
Satin Nickel



NEWBURY®

Antique Brass
Bright Brass
Brushed Chrome
Oil Rubbed Bronze
Polished Chrome
Satin Nickel



COVINGTON™

Antique Brass
Bright Brass
Oil Rubbed Bronze



WHITMORE®

Antique Brass
Bright Brass
Oil Rubbed Bronze
Satin Nickel



ALBANY

Black
Gold Dust
Stone
White



TRIBECA®

Stone
White

* Visit andersenwindows.com/warranty for details.

** Hardware sold separately.

Dimensions in parentheses are in millimeters.

Printing limitations prevent exact duplication of colors and finishes. See your Andersen supplier for actual color and finish samples.

Tribeca and Albany hardware are zinc diecast with powder-coated durable finish. Other hardware is solid forged brass. Mix-and-match interior and exterior style and finish options are available. Bright brass and satin nickel finishes feature a 10-year limited warranty.

Locking System

Reachout Locking Hardware



The unique Andersen® reachout locking hardware pulls the door panel snugly into the jamb for a weathertight seal and enhanced security.

Blinds-Between-the-Glass



Blinds-between-the-glass are available for select gliding patio door sizes when ordered with Low-E tempered glass, White exterior and pine or prefinished white interior. White ½" (13) aluminum slat blinds come mounted between two panes of insulated glass in a dust-free environment. Blinds are magnetically controlled and can be tilted or raised and lowered using low profile controls. Smooth, simple operation allows for customized light and privacy control. Available in 3368, 33611, 6068, 60611, 12068-4 and 120611-4 door sizes. For more information contact your Andersen supplier.

For more information about **glass, patterned glass, art glass and grilles** see pages 10-17.

For more information about **combination designs, product performance, installation accessories and warranty** see pages 255-291 or visit

 andersenwindows.com

ACCESSORIES Sold Separately

Frame

Extension Jamb

Standard jamb depth is 4 9/16" (116). Pine, oak or maple veneer or prefinished White interior extension jambs are available in 1/16" (1.5) increments between 5 1/16" (129) and 7 1/8" (181).

Threshold



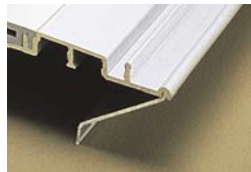
An oak or maple threshold is available for finishing the interior of the sill.

Ramped Sill Insert



Ramped sills in oak or maple provide smooth transition from interior to exterior and can be used with a retractable insect screen, but not a gliding insect screen. Shown here with an Andersen® Frenchwood® patio door. (Specifier must check with local and federal officials to determine if product meets accessibility codes.)

Sill Support



An aluminum sill support is designed to lock into a channel under the sill and tie back into the wall. This will offer support to the outermost sill section when needed. Available in neutral gray finish.

Hardware

Exterior Keyed Lock



A six-pin key cylinder lock is available in finishes that coordinate with hardware. This lock allows the gliding door to be locked and unlocked from the exterior.

Auxiliary Foot Lock

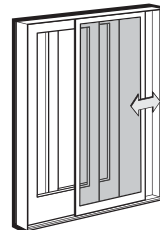


Provides an extra measure of security when the door is in a locked position. Lock can be set so the door is fully closed or partially open to provide a secure venting position. Available in all hardware finishes.

Insect Screens

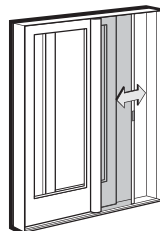
All insect screens have a long-lasting* fiberglass screen mesh with a charcoal finish and are color matched to the exterior of the door unless otherwise specified.

Gliding Insect Screen



Patented square corner joint construction adds considerable strength to the frame members. The insect screen is available for both two-panel doors and four-panel doors. Gliding insect screens have Delrin® injection-molded bottom rollers with self-contained leveling adjusters, providing smooth operation. Interior and exterior pulls and latch are provided.

Retractable Insect Screen



The retractable insect screen is installed on the exterior of the door and opens side-to-side across the width of the opening. When the insect screen is not in use, it neatly retracts into a small canister mounted on the exterior of the door. The retractable insect screen canister is available for two-panel patio doors in our four standard exterior colors. Please note, retractable insect screen track reduces clear opening height by 1" (25).

Security Sensors

VeriLock® Sensors

VeriLock sensors are available in five colors. See page 30 for details.

Open/Closed Sensors

Wireless open/closed sensors are available in four colors. See page 30 for details.

Glass

Andersen® Art Glass

Andersen art glass panels come in a variety of original patterns. Available for stationary panels, sidelights and transoms. See pages 213-214 for details on Andersen art glass. Visit andersenwindows.com/artglass for details and pattern information.

Grilles

Grilles are available in a variety of configurations and widths. For patio door grille patterns, see page 157.

Transoms

Andersen Frenchwood patio door transoms feature elegant lines that match our 400 Series Frenchwood gliding patio doors. They feature pine, oak, maple or prefinished White interior options, plus our four standard exterior colors. See pages 171-174 for details.

Sidelights

Stationary units can also be selected for use as sidelights. See pages 171-174 for details.

Exterior Trim

This product is available with Andersen® Exterior Trim. See pages 215-220 for details.

CAUTION:

- Painting and staining may cause damage to rigid vinyl.
- Do not paint 400 Series windows with White, Canvas, Sandtone, Forest Green, Dark Bronze or Black exterior colors.
- Andersen does not warrant the adhesion or performance of homeowner-applied paint over vinyl or other factory-coated surfaces.
- 400 Series windows in Terratone color may be painted any color lighter than Terratone color using quality oil-base or latex paint.
- For vinyl painting instructions and preparation, contact your Andersen supplier.
- Do not paint weatherstripping.
- Creosote-based stains should not come in contact with Andersen products.
- Abrasive cleaners or solutions containing corrosive solvents should not be used on Andersen products.

* Visit andersenwindows.com/warranty for details.

NOTE: Andersen® patio doors are not intended for use as entrance doors.

Dimensions in parentheses are in millimeters.

"Delrin" is a registered trademark of E. I. du Pont de Nemours and Company.

FRENCHWOOD® GLIDING PATIO DOORS

Three Patio Door Heights

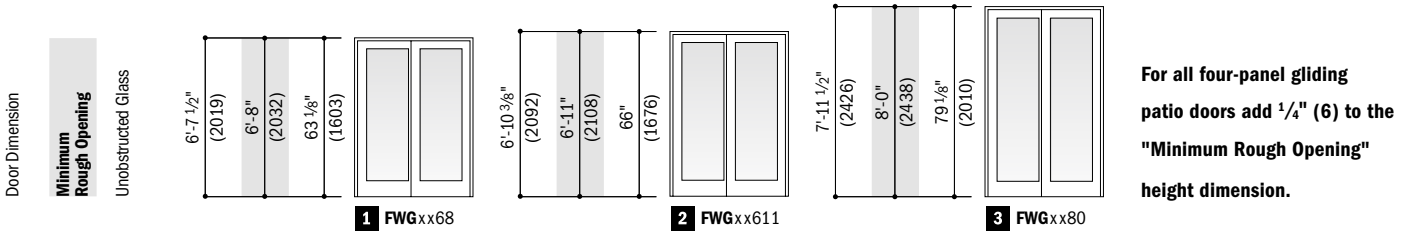
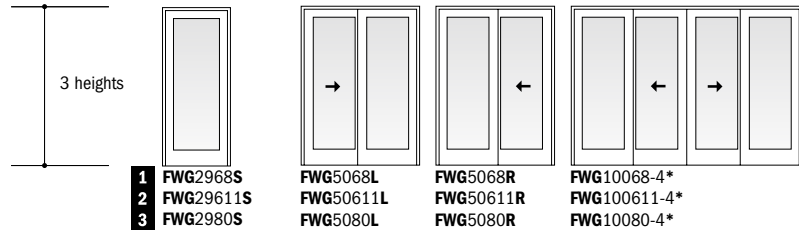


Table of Frenchwood® Gliding Patio Door Sizes

Scale 1/8" (3) = 1'-0" (305) – 1:96

Door Dimension	2'-8"	4'-11 1/4"	4'-11 1/4"	9'-9"
	(813)	(1505)	(1505)	(2972)
Minimum Rough Opening	2'-8 3/4"	5'-0"	5'-0"	9'-9 3/4"
	(832)	(1524)	(1524)	(2991)
Unobstructed Glass (single panel only)	21 1/8"	21 1/8"	21 1/8"	21 1/8"
	(537)	(537)	(537)	(537)

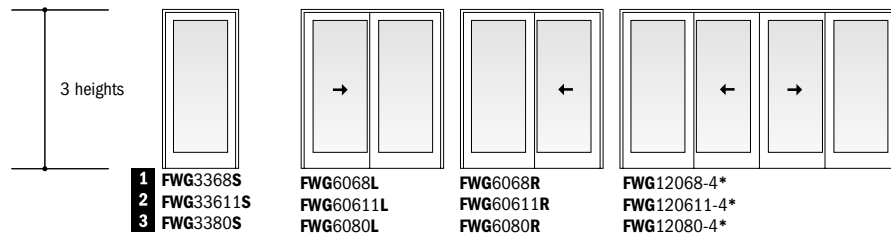


Custom-size doors are available in 1/8" (3) increments. See page 157 for custom sizes and specifications.

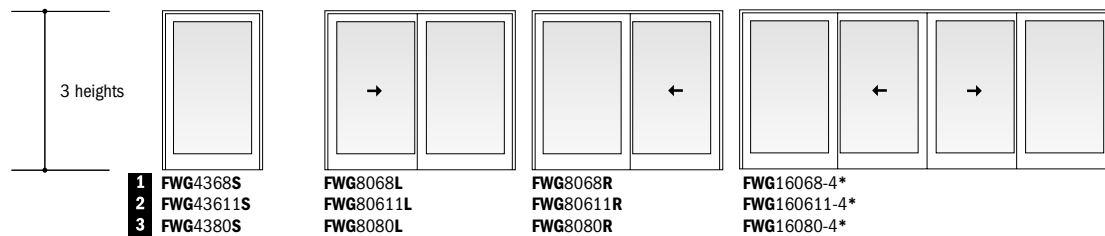
Viewed from the exterior. Arrow indicates direction of panel operation. Stationary (S) doors can be used as an individual unit or as a sidelight. Two-panel doors are available factory assembled and arrive at the jobsite ready to install.

Grille patterns shown on page 157.

Door Dimension	3'-2"	5'-11 1/4"	5'-11 1/4"	11'-9"
	(965)	(1810)	(1810)	(3581)
Minimum Rough Opening	3'-2 3/4"	6'-0"	6'-0"	11'-9 3/4"
	(984)	(1829)	(1829)	(3600)
Unobstructed Glass (single panel only)	27 1/8"	27 1/8"	27 1/8"	27 1/8"
	(689)	(689)	(689)	(689)



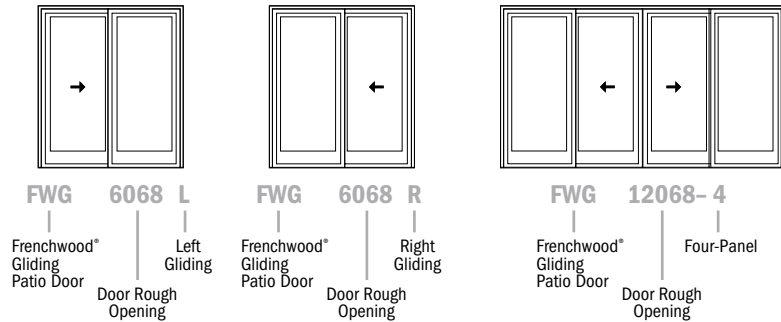
Door Dimension	4'-2"	7'-11 1/4"	7'-11 1/4"	15'-9"
	(1270)	(2419)	(2419)	(4801)
Minimum Rough Opening	4'-2 3/4"	8'-0"	8'-0"	15'-9 3/4"
	(1289)	(2438)	(2438)	(4820)
Unobstructed Glass (single panel only)	39 1/8"	39 1/8"	39 1/8"	39 1/8"
	(994)	(994)	(994)	(994)



* "Door Dimension" always refers to outside frame to frame dimension.
 * "Minimum Rough Opening" dimensions may need to be increased to allow for use of building wraps, flashing, sill panning, brackets, fasteners or other items. See pages 288-289 for more details.
 • Dimensions in parentheses are in millimeters.
 *Add 1/4" (6) to the "Minimum Rough Opening" height dimension for four-panel doors.

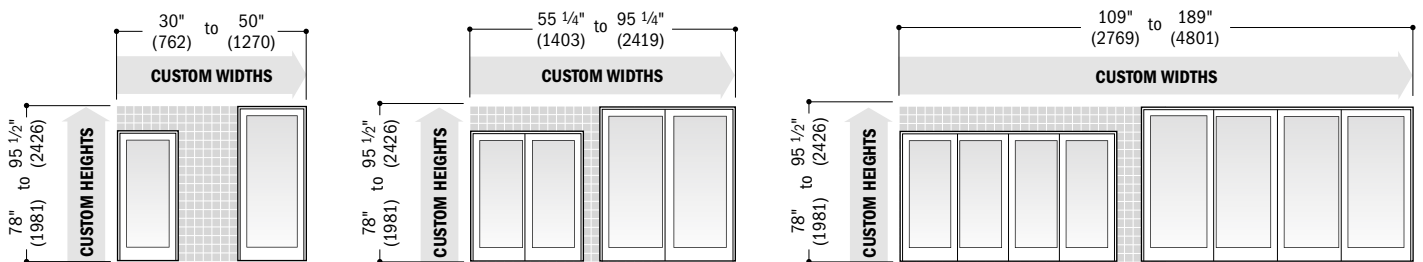
Order Designation Description

Viewed from the exterior.



Custom Sizes and Specification Formulas

Measurement guide for custom-size patio doors can be found at andersenwindows.com/measure.



Clear Opening	Two-Panel	Minimum R.O.	Single-Panel & Two-Panel	Unobstr. Glass	Single-Panel
	$Width = (width + 2) - 7.773" (197)$ $Height = height - 4.155" (106)$		$Width = width + 3/4" (19)$ $Height = height + 1/2" (13)$		$Width = width - 10.876" (276)$ $Height = height - 16.391" (416)$
	Four-Panel $Width = (width + 2) - 14.322" (364)$ $Height = height - 4.155" (106)$		Four-Panel $Width = width + 3/4" (19)$ $Height = height + 3/4" (19)$		Two-Panel $Width = width - 17.002" (432)$ $Height = height - 16.391" (416)$
					Four-Panel $Width = width - 32.504" (826)$ $Height = height - 16.391" (416)$



Available in 1/8" (3) increments between minimum and maximum widths and heights shown. Some restrictions apply.

- Dimensions in parentheses are in millimeters.
- **Clear Opening** formulas provide dimensions for determining area available for egress. Vent opening, or area available for passage of air, is equal to clear opening. **Minimum R.O.** (minimum rough opening) formulas provide minimum rough opening width and height dimensions. **Unobstr. Glass** (unobstructed glass) formulas provide dimensions for determining area available for passage of light.

Grille Patterns

	Prairie A	Colonial	Modified Colonial	Modified Colonial SCR (Simulated Check Rail)	Tall Fractional	Tall Fractional SCR (Simulated Check Rail)	Short Fractional	Short Fractional SCR (Simulated Check Rail)
Frenchwood® Gliding Patio Doors								

Number of lights and overall pattern varies with panel size.
Patterns are not available in all configurations. Specified equal light and custom patterns are also available. For more information on divided light, see page 11 or visit andersenwindows.com/grilles.

FRENCHWOOD® GLIDING PATIO DOORS

Two-Panel & Four-Panel Frenchwood® Gliding Patio Door Opening and Area Specifications

Door Number	Clear Opening Area Sq. Ft./ (m ²)	Clear Opening in Full Open Position		Glass Area Sq. Ft./ (m ²)	Vent Area Sq. Ft./ (m ²)	Overall Door Area Sq. Ft./ (m ²)
		Width Inches/(mm)	Height Inches/(mm)			
FWG5068	11.58 (1.08)	22 1/8" (562)	75 3/8" (1915)	18.52 (1.72)	11.58 (1.08)	32.71 (3.04)
FWG6068	14.72 (1.37)	28 1/8" (714)	75 3/8" (1915)	23.78 (2.21)	14.72 (1.37)	39.34 (3.66)
FWG8068	21.00 (1.95)	40 1/8" (1019)	75 3/8" (1915)	34.30 (3.19)	21.00 (1.95)	52.59 (4.89)
FWG10068	23.42 (2.18)	44 3/4" (1137)	75 3/8" (1915)	37.04 (3.44)	23.42 (2.18)	64.59 (6.00)
FWG12068	29.70 (2.76)	56 3/4" (1441)	75 3/8" (1915)	47.55 (4.42)	29.70 (2.76)	77.84 (7.23)
FWG16068	42.27 (3.93)	80 3/4" (2051)	75 3/8" (1915)	68.60 (6.37)	42.27 (3.93)	104.34 (9.69)
FWG50611	12.04 (1.12)	22 1/8" (562)	78 3/16" (1987)	19.36 (1.80)	12.04 (1.12)	33.89 (3.15)
FWG60611	15.31 (1.42)	28 1/8" (714)	78 3/16" (1987)	24.86 (2.31)	15.31 (1.42)	40.76 (3.79)
FWG80611	21.84 (2.03)	40 1/8" (1019)	78 3/16" (1987)	35.85 (3.33)	21.84 (2.03)	54.49 (5.06)
FWG100611	24.36 (2.26)	44 3/4" (1137)	78 3/16" (1987)	38.72 (3.60)	24.36 (2.26)	66.93 (6.22)
FWG120611	30.89 (2.87)	56 3/4" (1441)	78 3/16" (1987)	49.71 (4.62)	30.89 (2.87)	80.66 (7.49)
FWG160611	43.95 (4.08)	80 3/4" (2051)	78 3/16" (1987)	71.71 (6.66)	43.95 (4.08)	108.12 (10.04)
FWG5080	14.04 (1.30)	22 1/8" (562)	91 3/8" (2321)	23.20 (2.16)	14.04 (1.30)	39.29 (3.65)
FWG6080	17.85 (1.66)	28 1/8" (714)	91 3/8" (2321)	29.80 (2.77)	17.85 (1.66)	47.25 (4.39)
FWG8080	25.46 (2.37)	40 1/8" (1019)	91 3/8" (2321)	42.98 (3.99)	25.46 (2.37)	63.17 (5.87)
FWG10080	28.40 (2.64)	44 3/4" (1137)	91 3/8" (2321)	46.40 (4.31)	28.40 (2.64)	77.59 (7.21)
FWG12080	36.01 (3.35)	56 3/4" (1441)	91 3/8" (2321)	59.60 (5.54)	36.01 (3.35)	93.51 (8.69)
FWG16080	51.24 (4.76)	80 3/4" (2051)	91 3/8" (2321)	85.96 (7.99)	51.24 (4.76)	125.34 (11.64)

• Dimensions in parentheses are in millimeters or square meters.

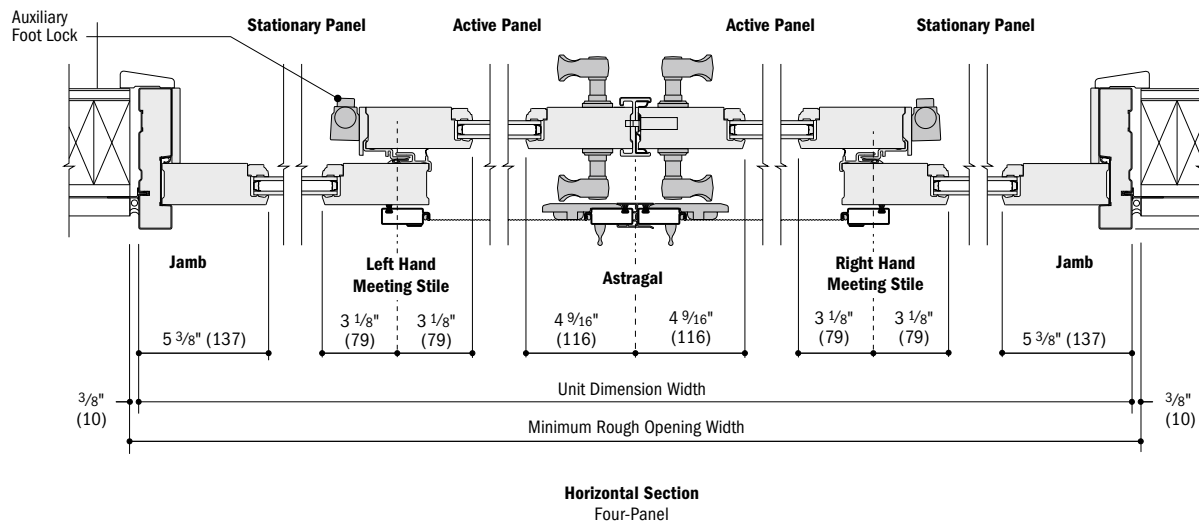
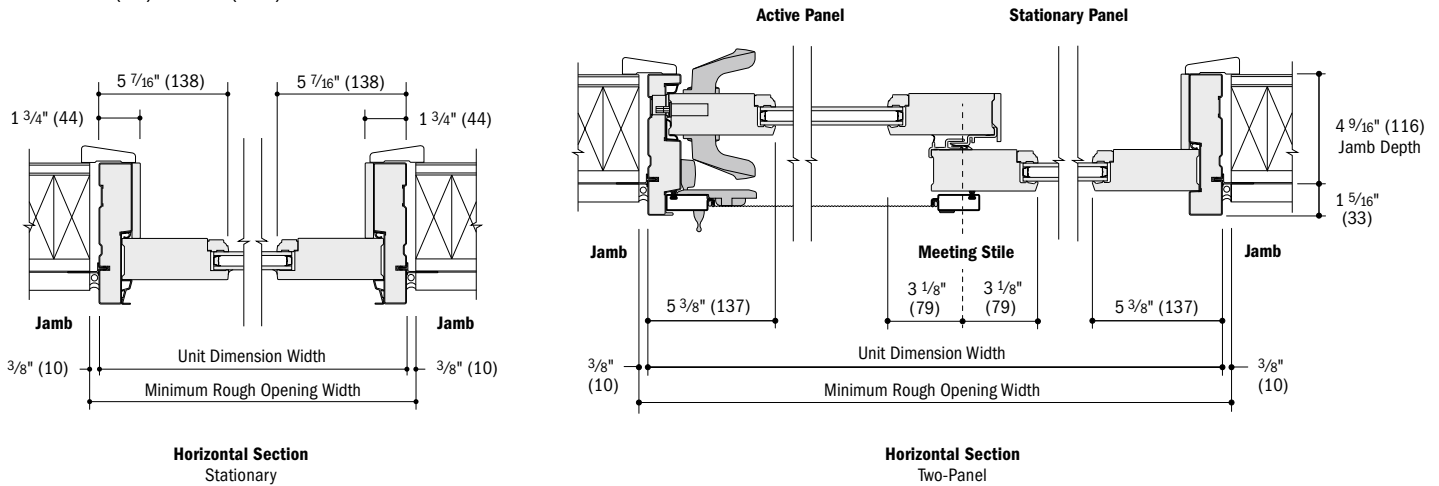
Stationary Frenchwood Gliding Patio Door Area Specifications

Door Number	Glass Area Sq. Ft./ (m ²)	Overall Door Area Sq. Ft./ (m ²)
FWG2968	9.26 (0.86)	17.67 (1.64)
FWG3368	11.89 (1.11)	20.98 (1.95)
FWG4368	17.15 (1.59)	27.60 (2.56)
FWG29611	9.68 (0.90)	18.31 (1.70)
FWG33611	12.43 (1.16)	21.74 (2.02)
FWG43611	17.93 (1.67)	28.60 (2.66)
FWG2980	11.60 (1.08)	21.22 (1.97)
FWG3380	14.90 (1.38)	25.20 (2.34)
FWG4380	21.49 (2.00)	33.16 (3.08)

• Dimensions in parentheses are in square meters.

Frenchwood® Gliding Patio Door Details

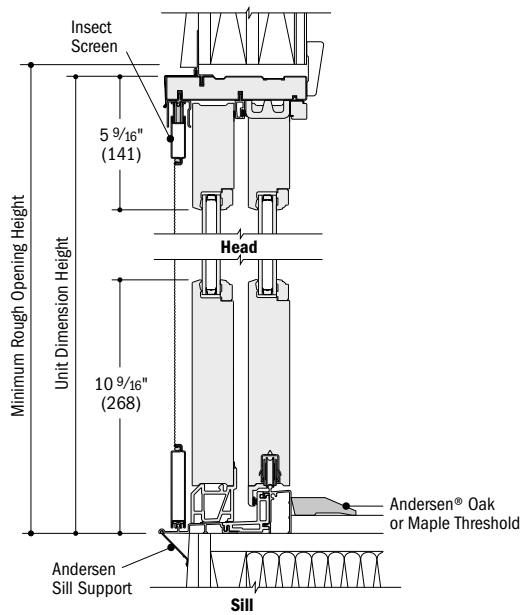
Scale 1 1/2" (38) = 1'-0" (305) – 1:8



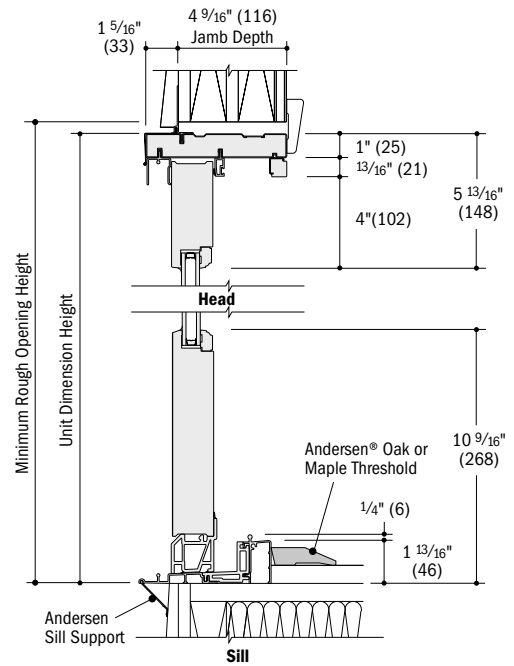
- 4 9/16" (116) jamb depth measurement is from backside of installation flange.
- Light-colored areas are parts included with door. Dark-colored areas are additional Andersen® parts required to complete door assembly as shown.
- Rough openings may need to be increased to allow for use of building wraps, flashing, sill panning, brackets, fasteners or other items. See installation information on pages 288-289.
- Details are for illustration only and are not intended to represent product installation methods or materials. Refer to product installation guides at andersenwindows.com.
- Dimensions in parentheses are in millimeters.

Frenchwood® Gliding Patio Door Details

Scale 1 1/2" (38) = 1'-0" (305) – 1:8



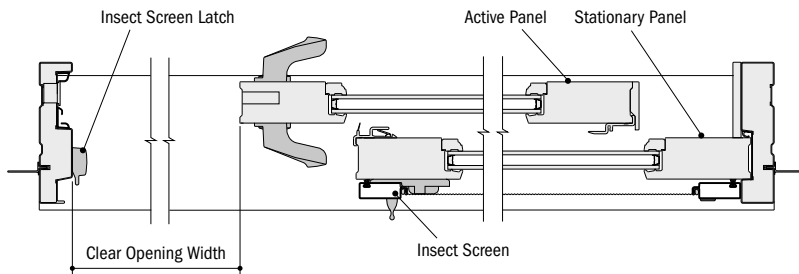
Vertical Section



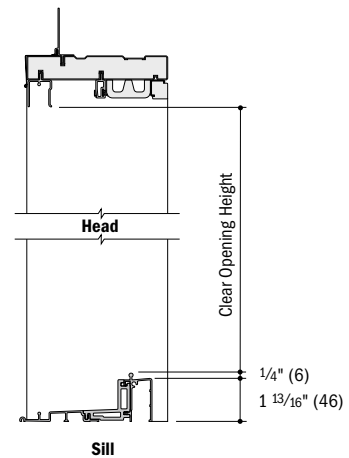
**Vertical Section
Stationary**

Clear Opening Details

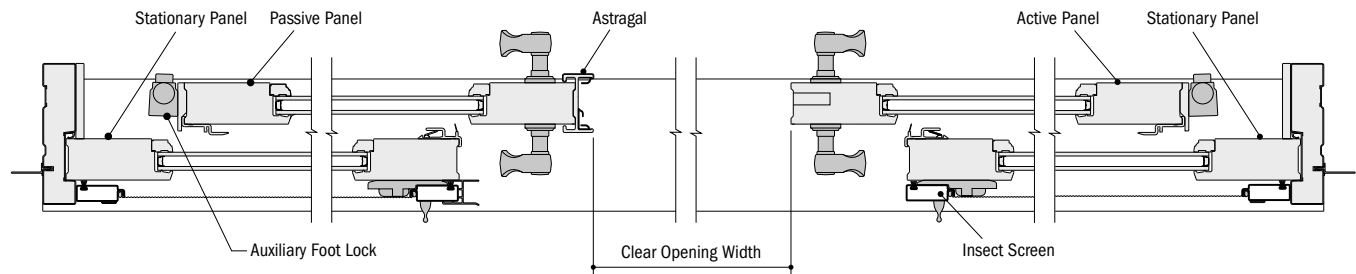
Scale 1 1/2" (38) = 1'-0" (305) – 1:8



**Horizontal Section
Two-Panel**



Vertical Section



**Horizontal Section
Four-Panel**

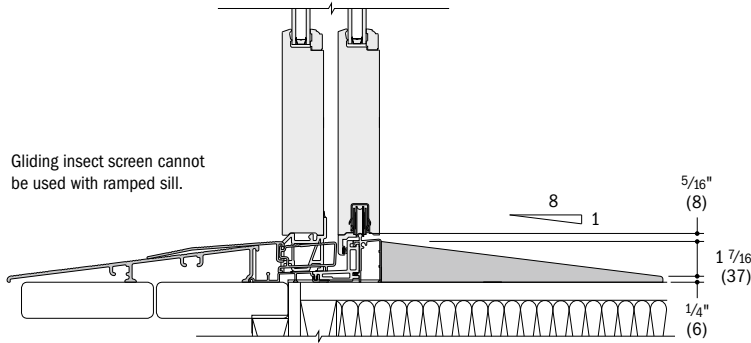
- 4 9/16" (116) jamb depth measurement is from backside of installation flange.
- Light-colored areas are parts included with door. Dark-colored areas are additional Andersen® parts required to complete door assembly as shown.
- **Rough openings may need to be increased to allow for use of building wraps, flashing, sill panning, brackets, fasteners or other items. See installation information on pages 288-289.**
- Details are for illustration only and are not intended to represent product installation methods or materials. Refer to product installation guides at andersenwindows.com.
- Dimensions in parentheses are in millimeters.

400 Series
Frenchwood®
Gliding Patio Doors

FRENCHWOOD® GLIDING PATIO DOORS

Ramped Sill Detail

Scale 1 1/2" (38) = 1'-0" (305) – 1:8



Vertical Section

Vertical Joining Detail

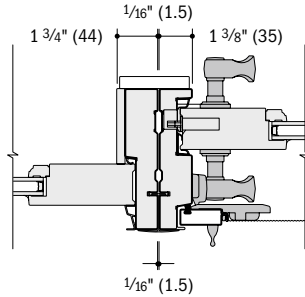
Scale 1 1/2" (38) = 1'-0" (305) – 1:8

Overall Door Dimension Width

Sum of individual door widths plus 1/16" (1.5) for each join.

Overall Rough Opening Width

Overall door width plus 3/4" (19).



Horizontal Section

Frenchwood® Gliding to Frenchwood Gliding

Vertical Joining Detail - LVL

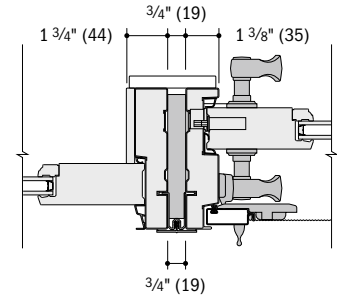
Scale 1 1/2" (38) = 1'-0" (305) – 1:8

Overall Door Dimension Width

Sum of individual door widths plus 3/4" (19) for each join.

Overall Rough Opening Width

Overall door width plus 3/4" (19).



Horizontal Section

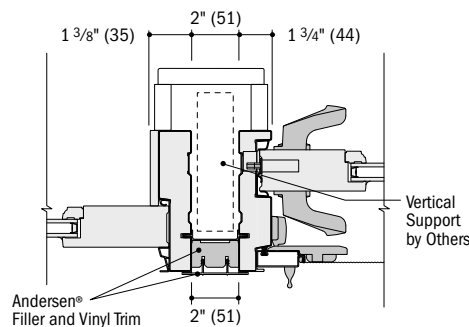
Frenchwood® Gliding to Frenchwood Gliding

Andersen does not recommend joining of receiver jamb to receiver jamb. For more joining information, see the combination designs section starting on page 255.

Separate Rough Openings Detail

Scale 1 1/2" (38) = 1'-0" (305) – 1:8

To meet structural requirements or to achieve a wider joined appearance, doors may be installed into separate rough openings having vertical support (by others) in combination with Andersen® exterior filler and exterior vinyl trim.



Horizontal Section

Frenchwood® Gliding and Frenchwood Gliding

- Light-colored areas are parts included with door. Dark-colored areas are additional Andersen® parts required to complete door assembly as shown.
- **Rough openings may need to be increased to allow for use of building wraps, flashing, sill panning, brackets, fasteners or other items. See installation information on pages 288-289.**
- Details are for illustration only and are not intended to represent product installation methods or materials. Refer to product installation guides at andersenwindows.com.
- Andersen recommends installation of doors into separate rough openings. Consult with an architect or structural engineer regarding minimum requirements for structural support members between adjacent rough openings.
- Dimensions in parentheses are in millimeters.

FRENCHWOOD[®] HINGED PATIO DOORS – INSWING

CUSTOM SIZING
in 1/8" (3) increments



SECTION REFERENCE

Table of Sizes.....	164-165
Specifications	166
Custom Sized Doors.....	167
Grille Patterns	167
Door Details.....	168-169
Joining Details.....	170
Combination Designs	255
Product Performance.....	269
Warranty.....	290-291

Dimensions in parentheses are in millimeters.

FRENCHWOOD® HINGED PATIO DOORS – INSWING

FEATURES

Frame

A The sill is made with three-piece construction. The subsill is made of Fibrex® material, and the sill step is solid oak. The exterior sill member is made of extruded aluminum with an attractive wear-resistant, heat-baked finish in a neutral color. This combination of materials combines durability and low maintenance with excellent insulating characteristics.

B All basic exterior frame members are fiberglass reinforced composite, which maintains an attractive appearance while minimizing maintenance.

C The exterior frame members are attached to a water-repellent preservative-treated wood subframe for long-lasting* protection and performance. The subframe is grooved to accept extension jambs.

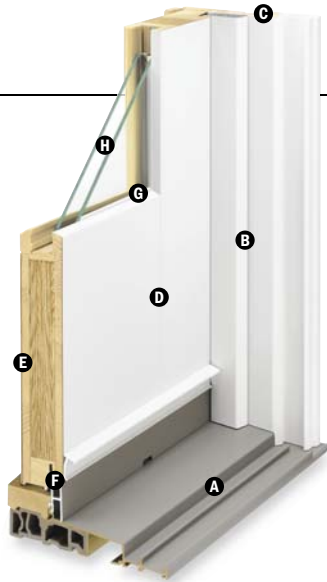
Panel

D The exterior of the wood door panel is protected with a long-lasting* urethane base finish in White, Sandtone, Terratone or Forest Green color.

E Panel interior surfaces are unfinished pine veneer. Unfinished oak and maple veneers are available as options. Low-maintenance prefinished White interiors are also available.

Hinged inswing operating panels are left-hand active, right-hand active or two-panel active/passive jamb hinged.

F A factory-applied, one-piece compression-type rubber weatherstrip continues in one plane around the panel to provide maximum effectiveness against water and air infiltration. The corners of the weatherstrip are welded to eliminate gaps between the panel and the frame/sill shoulder.



Mortise-and-Tenon Joints



Mortise-and-tenon joints prevent panel sag and maintain smooth operation.

Adjustable Hinges

Adjustable hinges are standard on inswing patio doors and have ball-bearing pivots for smooth, frictionless movement. Features easy horizontal and vertical adjustment, plus quick-release feature for easy panel removal. This release feature is ideal for transporting large units up stairs or to other hard-to-reach areas.



Shown in Gold Dust finish.

Gold dust finish is standard on wood interior doors. For units with prefinished White interior, white is standard. Also available in finishes that coordinate with hardware.

Glass

G Panels are silicone bed glazed and finished with an interior wood stop.

H High-performance glass options include: Low-E4® tempered, Low-E4 HeatLock® tempered, Low-E4 Sun tempered, Low-E4 SmartSun™ tempered and Low-E4 SmartSun HeatLock tempered glass.

Additional glass options are available. Contact your Andersen supplier.

A removable translucent film helps shield the glass from damage during delivery and construction and simplifies finishing at the jobsite.

Patterned Glass

Patterned glass options are available. See page 10 for more details.

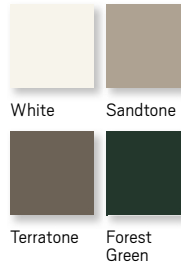
Hardware

Multi-Point Locking System

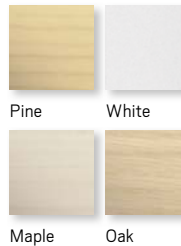


The multi-point locking system, with a hook bolt above and below the center dead bolt, provides a weathertight seal and enhanced security.

EXTERIOR



INTERIOR



HARDWARE FINISHES



Distressed bronze and oil rubbed bronze are "living" finishes that will change with time and use.

Prefinished White interiors are only available on units with White exteriors. Naturally occurring variations in grain, color and texture of wood make each door one-of-a-kind. All wood interiors are unfinished unless prefinished White is specified.

HINGED PATIO DOOR HARDWARE OPTIONS** Bold name denotes finish shown.



* Visit andersenwindows.com/warranty for details.

** Hardware sold separately.

Dimensions in parentheses are in millimeters.

"FSB" is a registered trademark of Franz Schneider Brakel GmbH & Co.

Mix-and-match interior and exterior style and finish options are available.

Bright brass and satin nickel finishes feature a 10-year limited warranty.

Tribeca and Albany hardware are zinc diecast with powder-coated durable finish. Other hardware is solid forged brass.

Printing limitations prevent exact duplication of colors and finishes. See your Andersen supplier for actual color and finish samples.

ACCESSORIES Sold Separately

Frame

Interior Extension Jamb

Standard jamb depth is 4 9/16" (116). Pine, oak or maple veneer or prefinished White extension jambs are available in 1/16" (1.5) increments between 5 1/16" (129) and 7 1/8" (181). Interior extension jambs on inswing units will restrict the full opening of door.

Exterior Extension Jamb*

Exterior extension jamb system is available for the following wall thicknesses:

- 5 1/4" (133)
- 6 9/16" (167)
- 7 9/16" (192)

In walls over 4 1/2" (114), the exterior sill extender and exterior extension jamb system allow the unit to be installed flush to the interior, so the hinged doors will open flat against the interior wall. Colored to match the exterior of the finished unit, this system provides a low-maintenance, finished exterior appearance. An extended double-insect screen track is available for jamb-hinged doors that require gliding insect screens. Exterior jamb kits are available with or without the double-insect screen track.

Threshold



An oak or maple threshold is available for finishing the interior of the sill.

Sill Support



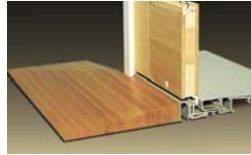
An aluminum sill support is designed to lock into a channel under the sill and tie back into the wall. This will offer support to the outermost sill section when needed. Available in neutral gray finish.

For more information about **glass**, **patterned glass**, **art glass** and **grilles** see pages 10-17.

For more information about **combination designs**, **product performance**, **installation accessories** and **warranty** see pages 255-291 or visit

 andersenwindows.com

Ramped Sill Insert



Ramped sills provide smooth transition from interior to exterior. Shown here with an Andersen® Frenchwood® patio door. It cannot be used with hinged or gliding insect screens. (Specifier must check with local and federal officials to determine if product meets accessibility codes.)

Hardware

Exterior Keyed Lock



A six-pin key cylinder lock is available in styles and finishes that coordinate with hardware. This lock allows the hinged patio door to be locked and

unlocked from the exterior.

Handle Extension



Extends interior door handle an additional 1" (25) from the door interior panel to accommodate blinds or shades. Kit includes

one handle extender and spindle. A second extender may be added to increase the length an additional 1" (25) to a 2" (51) total extension. Extenders are available in finishes that coordinate with hardware.

Strike Plate Extensions

Bright brass, antique brass, polished chrome, oil rubbed bronze, brushed chrome and satin nickel strike plate extensions are available for single-hinge doors.

Available for the following wall thicknesses:

- 5 1/4" (133)
- 6 9/16" (167)
- 7 1/8" (181)
- 7 9/16" (192)

Construction Lock



This hardware can be used on all Andersen hinged doors to help secure the jobsite during the construction phase of the project. It features an undersized escutcheon plate, which makes on-site finishing easier.

Panel Stop

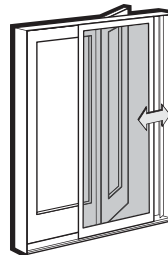


This hinged door panel stop helps prevent wall damage when opening the inswing door. Available in finishes that coordinate with hardware.

Insect Screens

All insect screens have a long-lasting** fiberglass screen mesh with a charcoal finish and are color matched to the exterior of the door unless otherwise specified.

Gliding Insect Screen



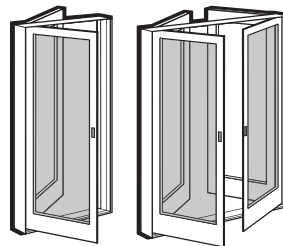
Available for all two- and three-panel doors. Features Delrin® material injection molded bottom rollers with self-contained leveling adjusters. A double-insect screen track is required for two-panel AP/PA doors. Gliding insect screens are not available for 4'-0" (1219) wide doors.

Double-Insect Screen Track



An extended insect screen track is required for two-panel AP/PA hinged doors that use gliding insect screens.

Hinged Insect Screens



Available for single-panel hinged doors and two-panel jamb-hinged doors.

Security Sensors

VeriLock® Sensors

VeriLock sensors are available in five colors. See page 30 for details.

Open/Closed Sensors

Wireless open/closed sensors are available in four colors. See page 30 for details.

Glass

Andersen® Art Glass

Andersen art glass panels come in a variety of original patterns. See pages 213-214 for details on Andersen art glass. Visit andersenwindows.com/artglass for details and pattern information.

Grilles

Grilles are available in a variety of configurations and widths. For patio door grille patterns, see page 167.

Sidelights & Transoms



Sidelights and transoms are available for all Frenchwood hinged patio doors. See pages 171-174 for details.

Exterior Trim

This product is available with Andersen® Exterior Trim. See pages 215-220 for details.

CAUTION:

- Painting and staining may cause damage to rigid vinyl.
- Do not paint 400 Series windows with White, Canvas, Sandtone, Forest Green, Dark Bronze or Black exterior colors.
- Andersen does not warrant the adhesion or performance of homeowner-applied paint over vinyl or other factory-coated surfaces.
- 400 Series windows in Terratone color may be painted any color lighter than Terratone color using quality oil-base or latex paint.
- For vinyl painting instructions and preparation, contact your Andersen supplier.
- Do not paint weatherstripping.
- Creosote-based stains should not come in contact with Andersen products.
- Abrasive cleaners or solutions containing corrosive solvents should not be used on Andersen products.

* Exterior extension jambs for hinged patio doors must be applied before installing into opening.

** Visit andersenwindows.com/warranty for details.

NOTE: Andersen® patio doors are not intended for use as entrance doors.

Dimensions in parentheses are in millimeters.

"Delrin" is a registered trademark of E. I. du Pont de Nemours and Company.

FRENCHWOOD® HINGED PATIO DOORS – INSWING

Table of Frenchwood® Hinged Inswing Patio Door Sizes

Scale 1/8" (3) = 1'-0" (305) – 1:96

Door Dimension	2'-0 1/2" (620)			4'-0" (1219)		4'-0" (1219)			
Minimum Rough Opening	2'-1" (634)			4'-1" (1242)		4'-1" (1242)			
Unobstructed Glass (single panel only)	13 1/4" (336)			13 1/4" (336)		13 1/4" (336)			
3 heights									
	<ol style="list-style-type: none"> 1 FWH2168S 2 FWH21611S 3 FWH2180S 			<ol style="list-style-type: none"> 1 FWH4168APLR 2 FWH41611APLR 3 FWH4180APLR 		<ol style="list-style-type: none"> 1 FWH4168PALR 2 FWH41611PALR 3 FWH4180PALR 			
Door Dimension	2'-6 1/8" (765)	2'-6 1/8" (765)	2'-6 1/8" (765)	4'-11 1/4" (1504)	4'-11 1/4" (1504)	4'-11 1/4" (1504)	4'-11 1/4" (1504)	4'-11 1/4" (1504)	
Minimum Rough Opening	2'-7" (787)	2'-7" (787)	2'-7" (787)	5'-0" (1524)	5'-0" (1524)	5'-0" (1524)	5'-0" (1524)	5'-0" (1524)	
Unobstructed Glass (single panel only)	18 7/8" (479)	18 7/8" (479)	18 7/8" (479)	18 7/8" (479)	18 7/8" (479)	18 7/8" (479)	18 7/8" (479)	18 7/8" (479)	
3 heights									
	<ol style="list-style-type: none"> 1 FWH2768S 2 FWH27611S 3 FWH2780S 	<ol style="list-style-type: none"> 1 FWH2768AR 2 FWH27611AR 3 FWH2780AR 	<ol style="list-style-type: none"> 1 FWH2768AL 2 FWH27611AL 3 FWH2780AL 	<ol style="list-style-type: none"> 1 FWH5068SS 2 FWH50611SS 3 FWH5080SS 	<ol style="list-style-type: none"> 1 FWH5068ASR 2 FWH50611ASR 3 FWH5080ASR 	<ol style="list-style-type: none"> 1 FWH5068SAL 2 FWH50611SAL 3 FWH5080SAL 	<ol style="list-style-type: none"> 1 FWH5068APLR 2 FWH50611APLR 3 FWH5080APLR 	<ol style="list-style-type: none"> 1 FWH5068PALR 2 FWH50611PALR 3 FWH5080PALR 	
Door Dimension	2'-8 1/8" (816)	2'-8 1/8" (816)	2'-8 1/8" (816)	5'-3 1/4" (1607)	5'-3 1/4" (1607)	5'-3 1/4" (1607)	5'-3 1/4" (1607)	5'-3 1/4" (1607)	
Minimum Rough Opening	2'-9" (838)	2'-9" (838)	2'-9" (838)	5'-4" (1626)	5'-4" (1626)	5'-4" (1626)	5'-4" (1626)	5'-4" (1626)	
Unobstructed Glass (single panel only)	20 7/8" (530)	20 7/8" (530)	20 7/8" (530)	20 7/8" (530)	20 7/8" (530)	20 7/8" (530)	20 7/8" (530)	20 7/8" (530)	
3 heights									
	<ol style="list-style-type: none"> 1 FWH2968S 2 FWH29611S 3 FWH2980S 	<ol style="list-style-type: none"> 1 FWH2968AR 2 FWH29611AR 3 FWH2980AR 	<ol style="list-style-type: none"> 1 FWH2968AL 2 FWH29611AL 3 FWH2980AL 	<ol style="list-style-type: none"> 1 FWH5468SS 2 FWH54611SS 3 FWH5480SS 	<ol style="list-style-type: none"> 1 FWH5468ASR 2 FWH54611ASR 3 FWH5480ASR 	<ol style="list-style-type: none"> 1 FWH5468SAL 2 FWH54611SAL 3 FWH5480SAL 	<ol style="list-style-type: none"> 1 FWH5468APLR 2 FWH54611APLR 3 FWH5480APLR 	<ol style="list-style-type: none"> 1 FWH5468PALR 2 FWH54611PALR 3 FWH5480PALR 	
Door Dimension	3'-0 1/8" (918)	3'-0 1/8" (918)	3'-0 1/8" (918)	5'-11 1/4" (1810)	5'-11 1/4" (1810)	5'-11 1/4" (1810)	5'-11 1/4" (1810)	5'-11 1/4" (1810)	
Minimum Rough Opening	3'-1" (940)	3'-1" (940)	3'-1" (940)	6'-0" (1829)	6'-0" (1829)	6'-0" (1829)	6'-0" (1829)	6'-0" (1829)	
Unobstructed Glass (single panel only)	24 7/8" (632)	24 7/8" (632)	24 7/8" (632)	24 7/8" (632)	24 7/8" (632)	24 7/8" (632)	24 7/8" (632)	24 7/8" (632)	
3 heights									
	<ol style="list-style-type: none"> 1 FWH3168S 2 FWH31611S 3 FWH3180S 	<ol style="list-style-type: none"> 1 FWH3168AR 2 FWH31611AR 3 FWH3180AR 	<ol style="list-style-type: none"> 1 FWH3168AL 2 FWH31611AL 3 FWH3180AL 	<ol style="list-style-type: none"> 1 FWH6068SS 2 FWH60611SS 3 FWH6080SS 	<ol style="list-style-type: none"> 1 FWH6068ASR 2 FWH60611ASR 3 FWH6080ASR 	<ol style="list-style-type: none"> 1 FWH6068SAL 2 FWH60611SAL 3 FWH6080SAL 	<ol style="list-style-type: none"> 1 FWH6068APLR 2 FWH60611APLR 3 FWH6080APLR 	<ol style="list-style-type: none"> 1 FWH6068PALR 2 FWH60611PALR 3 FWH6080PALR 	



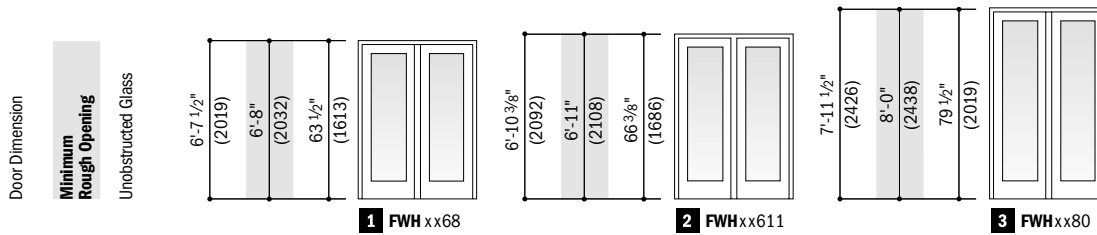
Custom-size doors are available in 1/8" (3) increments. See page 167 for custom sizes and specifications.

Stationary (S) doors can be used as an individual unit or as a sidelight.

Grille patterns shown on page 167.

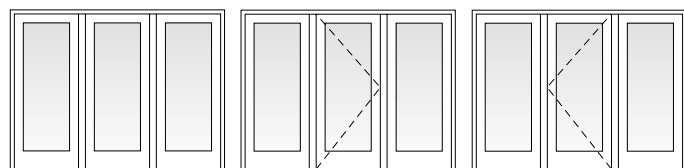
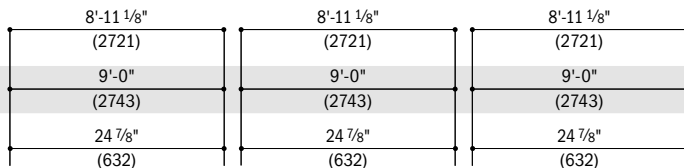
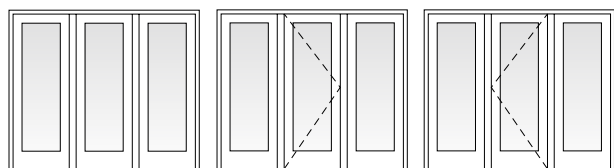
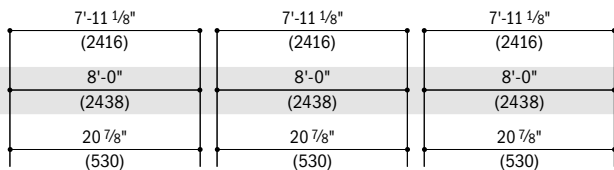
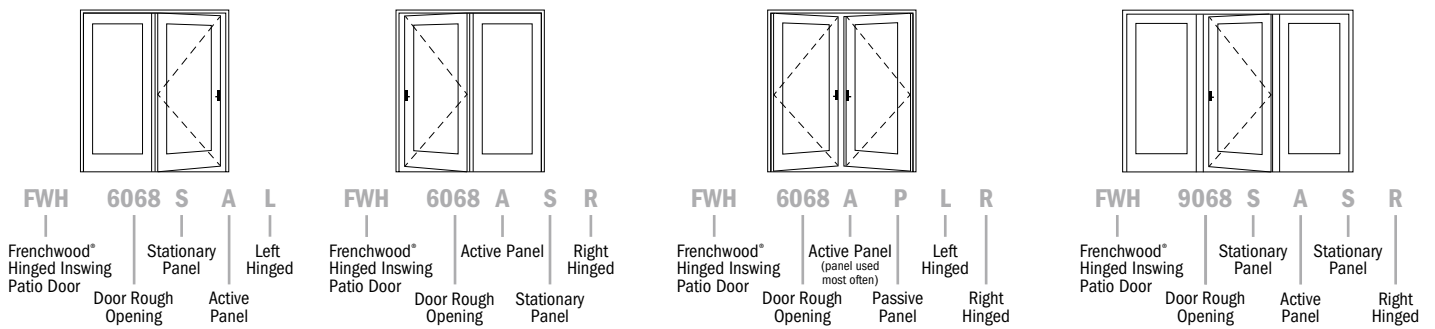
• "Door Dimension" always refers to outside frame to frame dimension.
 • "Minimum Rough Opening" dimensions may need to be increased to allow for use of building wraps, flashing, sill panning, brackets, fasteners or other items. See pages 288-289 for more details.
 • Dimensions in parentheses are in millimeters.

Three Patio Door Heights



Order Designation Description

Viewed from the exterior.



- "Door Dimension" always refers to outside frame to frame dimension.
- "Minimum Rough Opening" dimensions may need to be increased to allow for use of building wraps, flashing, sill panning, brackets, fasteners or other items. See pages 288-289 for more details.
- Dimensions in parentheses are in millimeters.

400 Series
Frenchwood® Hinged
Patio Doors – Inswing

FRENCHWOOD® HINGED PATIO DOORS – INSWING

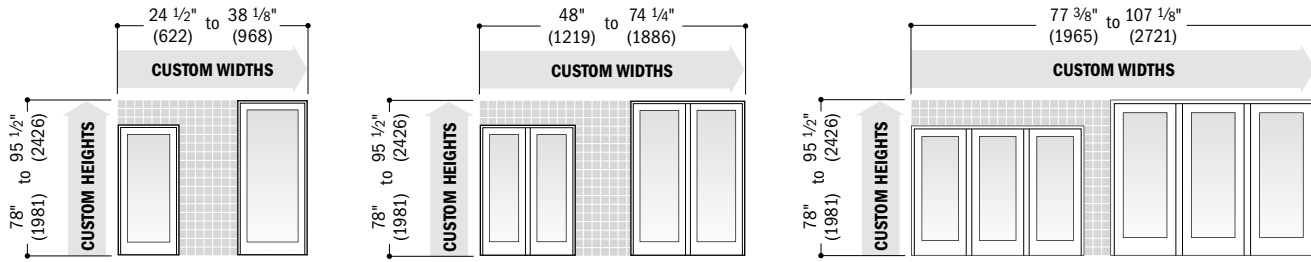
Frenchwood® Hinged Inswing Patio Door Opening and Area Specifications

Door Number	Number of Panels in Open Position*	Clear Opening Area Sq. Ft./ (m ²)	Clear Opening Maximums			Glass Area Sq. Ft./ (m ²)	Vent Area Sq. Ft./ (m ²)	Overall Door Area Sq. Ft./ (m ²)
			90° Width Inches/(mm)	Full Width Inches/(mm)	Height Inches/(mm)			
FWH2168S	-	-	-	-	-	5.74 (0.53)	-	13.39 (1.24)
FWH2768	1	12.98 (1.21)	24 13/16" (630)	26" (660)	75 1/4" (1911)	8.32 (0.77)	12.98 (1.21)	16.63 (1.55)
FWH2968	1	14.02 (1.30)	26 13/16" (681)	28" (711)	75 1/4" (1911)	9.20 (0.86)	14.02 (1.30)	17.74 (1.65)
FWH3168	1	16.11 (1.50)	30 13/16" (783)	32" (813)	75 1/4" (1911)	10.96 (1.02)	16.11 (1.50)	19.95 (1.85)
FWH4168	2	21.43 (1.99)	41" (1039)	43 7/8" (1112)	75 1/4" (1911)	11.68 (1.09)	21.43 (1.99)	26.50 (2.46)
FWH4168	1	11.01 (1.02)	19 7/8" (505)	21 1/16" (535)	75 1/4" (1911)	11.68 (1.09)	11.01 (1.02)	26.50 (2.46)
FWH5068	1 - AS/SA	12.98 (1.21)	24 13/16" (630)	26" (660)	75 1/4" (1911)	16.64 (1.55)	12.98 (1.21)	32.71 (3.04)
FWH5068	2 - AP/PA	27.30 (2.54)	52 1/4" (1327)	55 1/8" (1400)	75 1/4" (1911)	16.64 (1.55)	27.30 (2.54)	32.71 (3.04)
FWH5068	1 - AP/PA	13.32 (1.23)	25 1/2" (647)	26 11/16" (678)	75 1/4" (1911)	16.64 (1.55)	13.32 (1.23)	32.71 (3.04)
FWH5468	1 - AS/SA	14.02 (1.30)	26 13/16" (681)	28" (711)	75 1/4" (1911)	18.39 (1.71)	14.02 (1.30)	34.92 (3.24)
FWH5468	2 - AP/PA	29.39 (2.73)	56 1/4" (1429)	59 1/8" (1502)	75 1/4" (1911)	18.39 (1.71)	29.39 (2.73)	34.92 (3.24)
FWH5468	1 - AP/PA	14.37 (1.33)	27 1/2" (698)	28 11/16" (729)	75 1/4" (1911)	18.39 (1.71)	14.37 (1.33)	34.92 (3.24)
FWH6068	1 - AS/SA	16.11 (1.50)	30 13/16" (783)	32" (813)	75 1/4" (1911)	21.92 (2.04)	16.11 (1.50)	39.34 (3.66)
FWH6068	2 - AP/PA	33.58 (3.12)	64 1/2" (1632)	67 1/8" (1705)	75 1/4" (1911)	21.92 (2.04)	33.58 (3.12)	39.34 (3.66)
FWH6068	1 - AP/PA	16.46 (1.52)	31 1/2" (800)	32 11/16" (830)	75 1/4" (1911)	21.92 (2.04)	16.46 (1.52)	39.34 (3.66)
FWH8068	1	14.02 (1.30)	26 13/16" (681)	28" (711)	75 1/4" (1911)	27.60 (2.56)	14.02 (1.30)	52.52 (4.88)
FWH9068	1	16.11 (1.50)	30 13/16" (783)	32" (813)	75 1/4" (1911)	32.88 (3.06)	16.11 (1.50)	59.14 (5.49)
FWH21611S	-	-	-	-	-	6.01 (0.56)	-	13.89 (1.29)
FWH27611	1	13.48 (1.25)	24 13/16" (630)	26" (660)	78 1/8" (1984)	8.69 (0.81)	13.48 (1.25)	17.21 (1.60)
FWH29611	1	14.55 (1.35)	26 13/16" (681)	28" (711)	78 1/8" (1984)	9.61 (0.89)	14.55 (1.35)	18.36 (1.71)
FWH31611	1	16.72 (1.55)	30 13/16" (783)	32" (813)	78 1/8" (1984)	11.45 (1.06)	16.72 (1.55)	20.64 (1.92)
FWH41611	2	22.24 (2.07)	41" (1039)	43 7/8" (1112)	78 1/8" (1984)	12.20 (1.13)	22.24 (2.07)	27.46 (2.55)
FWH41611	1	11.43 (1.06)	19 7/8" (505)	21 1/16" (535)	78 1/8" (1984)	12.20 (1.13)	11.43 (1.06)	27.46 (2.55)
FWH50611	1 - AS/SA	13.48 (1.25)	24 13/16" (630)	26" (660)	78 1/8" (1984)	17.38 (1.62)	13.48 (1.25)	33.89 (3.15)
FWH50611	2 - AP/PA	28.34 (2.63)	52 1/4" (1327)	55 1/8" (1400)	78 1/8" (1984)	17.38 (1.62)	28.34 (2.63)	33.89 (3.15)
FWH50611	1 - AP/PA	13.83 (1.28)	25 1/2" (647)	26 11/16" (678)	78 1/8" (1984)	17.38 (1.62)	13.83 (1.28)	33.89 (3.15)
FWH54611	1 - AS/SA	14.55 (1.35)	26 13/16" (681)	28" (660)	78 1/8" (1984)	19.22 (1.79)	14.55 (1.35)	36.18 (3.36)
FWH54611	2 - AP/PA	30.51 (2.83)	56 1/4" (1429)	59 1/8" (1502)	78 1/8" (1984)	19.22 (1.79)	30.51 (2.83)	36.18 (3.36)
FWH54611	1 - AP/PA	14.91 (1.58)	27 1/2" (698)	28 11/16" (729)	78 1/8" (1984)	19.22 (1.79)	14.91 (1.58)	36.18 (3.36)
FWH60611	1 - AS/SA	16.72 (1.55)	30 13/16" (783)	32" (813)	78 1/8" (1984)	22.91 (2.13)	16.72 (1.55)	40.76 (3.79)
FWH60611	2 - AP/PA	34.86 (3.24)	64 1/2" (1632)	67 1/8" (1705)	78 1/8" (1984)	22.91 (2.13)	34.86 (3.24)	40.76 (3.79)
FWH60611	1 - AP/PA	17.08 (1.68)	31 1/2" (800)	32 11/16" (830)	78 1/8" (1984)	22.91 (2.13)	17.08 (1.68)	40.76 (3.79)
FWH80611	1	14.55 (1.35)	26 13/16" (681)	28" (660)	78 1/8" (1984)	28.83 (2.68)	14.55 (1.35)	54.43 (5.06)
FWH90611	1	16.72 (1.55)	30 13/16" (783)	32" (813)	78 1/8" (1984)	34.36 (3.19)	16.72 (1.55)	61.30 (5.70)
FWH2180S	-	-	-	-	-	7.19 (0.67)	-	16.08 (1.49)
FWH2780	1	15.73 (1.46)	24 13/16" (630)	26" (660)	91 1/4" (2318)	10.41 (0.97)	15.73 (1.46)	19.98 (1.86)
FWH2980	1	17.00 (1.58)	26 13/16" (681)	28" (711)	91 1/4" (2318)	11.52 (1.07)	17.00 (1.58)	21.31 (1.98)
FWH3180	1	19.54 (1.82)	30 13/16" (783)	32" (813)	91 1/4" (2318)	13.72 (1.28)	19.54 (1.82)	23.96 (2.23)
FWH4180	2	25.98 (2.41)	41" (1039)	43 7/8" (1112)	91 1/4" (2318)	14.62 (1.36)	25.98 (2.41)	31.83 (2.96)
FWH4180	1	13.35 (1.24)	19 7/8" (505)	21 1/16" (535)	91 1/4" (2318)	14.62 (1.36)	13.35 (1.24)	31.83 (2.96)
FWH5080	1 - AS/SA	15.73 (1.46)	24 13/16" (630)	26" (660)	91 1/4" (2318)	20.82 (1.93)	15.73 (1.46)	39.30 (3.65)
FWH5080	2 - AP/PA	33.11 (3.08)	52 1/4" (1327)	55 1/8" (1400)	91 1/4" (2318)	20.82 (1.93)	33.11 (3.08)	39.30 (3.65)
FWH5080	1 - AP/PA	16.15 (1.50)	25 1/2" (647)	26 11/16" (678)	91 1/4" (2318)	20.82 (1.93)	16.15 (1.50)	39.30 (3.65)
FWH5480	1 - AS/SA	17.00 (1.58)	26 13/16" (681)	28" (660)	91 1/4" (2318)	23.03 (2.14)	17.00 (1.58)	41.95 (3.90)
FWH5480	2 - AP/PA	35.64 (3.31)	56 1/4" (1429)	59 1/8" (1502)	91 1/4" (2318)	23.03 (2.14)	35.64 (3.31)	41.95 (3.90)
FWH5480	1 - AP/PA	17.42 (1.61)	27 1/2" (698)	28 11/16" (729)	91 1/4" (2318)	23.03 (2.14)	17.42 (1.61)	41.95 (3.90)
FWH6080	1 - AS/SA	19.54 (1.82)	30 13/16" (783)	32" (813)	91 1/4" (2318)	27.44 (2.55)	19.54 (1.82)	47.25 (4.39)
FWH6080	2 - AP/PA	40.71 (3.78)	64 1/2" (1632)	67 1/8" (1705)	91 1/4" (2318)	27.44 (2.55)	40.71 (3.78)	47.25 (4.39)
FWH6080	1 - AP/PA	19.96 (1.85)	31 1/2" (800)	32 11/16" (830)	91 1/4" (2318)	27.44 (2.55)	19.96 (1.85)	47.25 (4.39)
FWH8080	1	17.00 (1.58)	26 13/16" (681)	28" (660)	91 1/4" (2318)	34.55 (3.21)	17.00 (1.58)	63.09 (5.86)
FWH9080	1	19.54 (1.82)	30 13/16" (783)	32" (813)	91 1/4" (2318)	41.16 (3.82)	19.54 (1.82)	71.05 (6.60)

* Dimensions in parentheses are in millimeters.

* For two-panel AP/PA doors with only one panel open, clear opening is based on the active panel open and the passive panel closed.

Custom Sizes and Specification Formulas



Clear Opening 	Height = height - 4.22" (107) Single-Panel Width = width - 5.744" (145) Two-Panel, two panels open Width = width - 7.394" (187) Two-Panel, one panel open Width = (width - 10.550" (267)) ÷ 2 Three-Panel Width = (width - 16.106" (409)) ÷ 3	Minimum R.O. 	Width = width + 3/4" (19) Height = height + 1/2" (13)	Unobstr. Glass 	Single-Panel Width = width - 11.22" (285) Height = height - 16.05" (408) Two-Panel Width = width - 21.5" (546) Height = height - 16.05" (408) Three-Panel Width = width - 32.55" (827) Height = height - 16.05" (408)
------------------------------	---	-------------------------	--	---------------------------	--

- Dimensions in parentheses are in millimeters.
- **Clear Opening** formulas provide dimensions for determining area available for egress. Vent opening, or area available for passage of air, is equal to clear opening. **Minimum R.O.** (minimum rough opening) formulas provide minimum rough opening width and height dimensions. **Unobstr. Glass** (unobstructed glass) formulas provide dimensions for determining area available for passage of light.
- Clear opening width formulas are based on panel(s) in a 90° open position.



Available in 1/8" (3) increments between minimum and maximum widths and heights. Some restrictions apply. Measurement guide can be found at andersenwindows.com/measure.

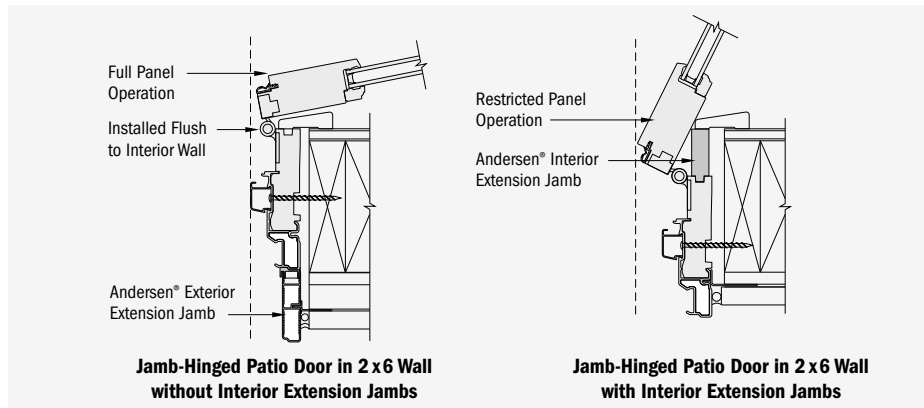
Grille Patterns

	Prairie A	Colonial	Modified Colonial	Modified Colonial SCR (Simulated Check Rail)	Tall Fractional	Tall Fractional SCR (Simulated Check Rail)	Short Fractional	Short Fractional SCR (Simulated Check Rail)
Frenchwood® Hinged Inswing Patio Doors								

Number of lights and overall pattern varies with panel size.
Patterns are not available in all configurations. Specified equal light and custom patterns are also available. For more information on divided light, see page 11 or visit andersenwindows.com/grilles.

Interior Extension Jamb

Use of interior extension jambs or drywall return will restrict panel operation on jamb-hinged patio doors. Jamb-hinged patio doors must be installed flush to the interior to achieve full panel operation.

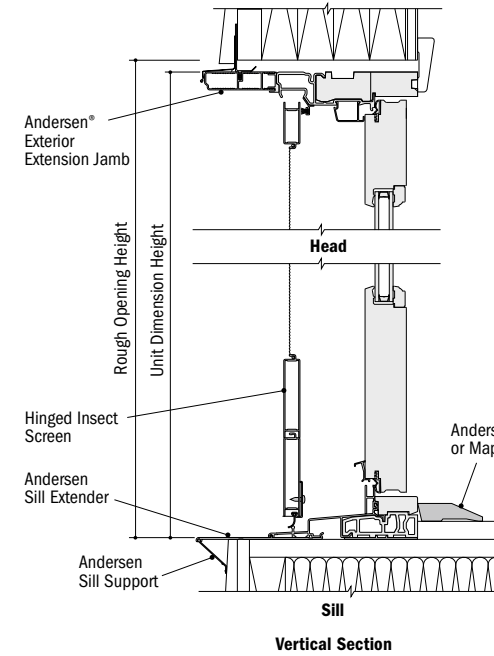


400 Series
Frenchwood® Hinged
Patio Doors – Inswing

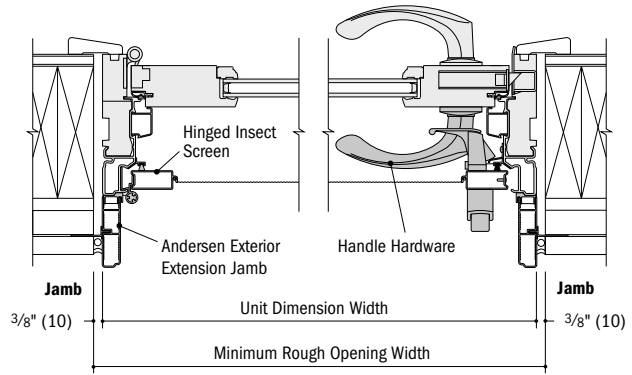
FRENCHWOOD® HINGED PATIO DOORS – INSWING

Frenchwood® Hinged Inswing Patio Door Details

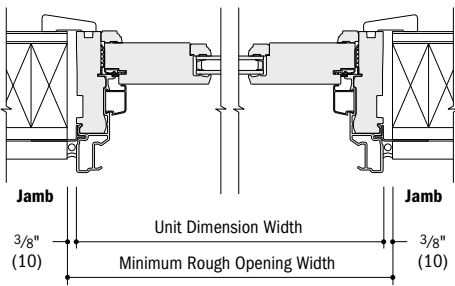
Scale 1 1/2" (38) = 1'-0" (305) – 1:8



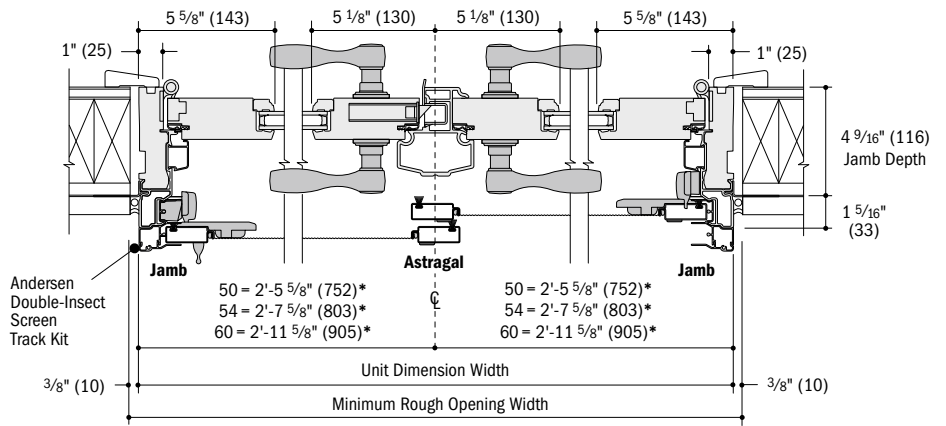
Vertical Section



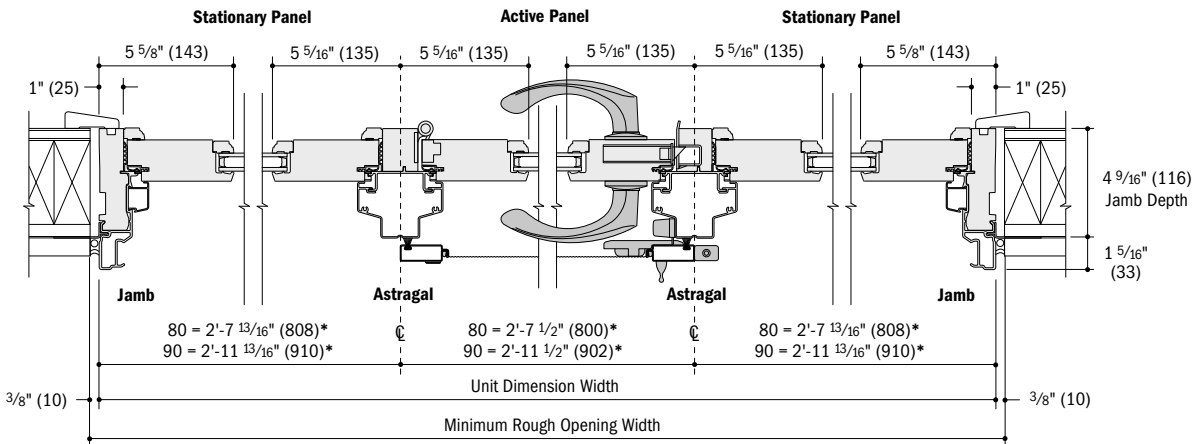
Horizontal Section
Active



Horizontal Section
Stationary



Horizontal Section
Two-Panel

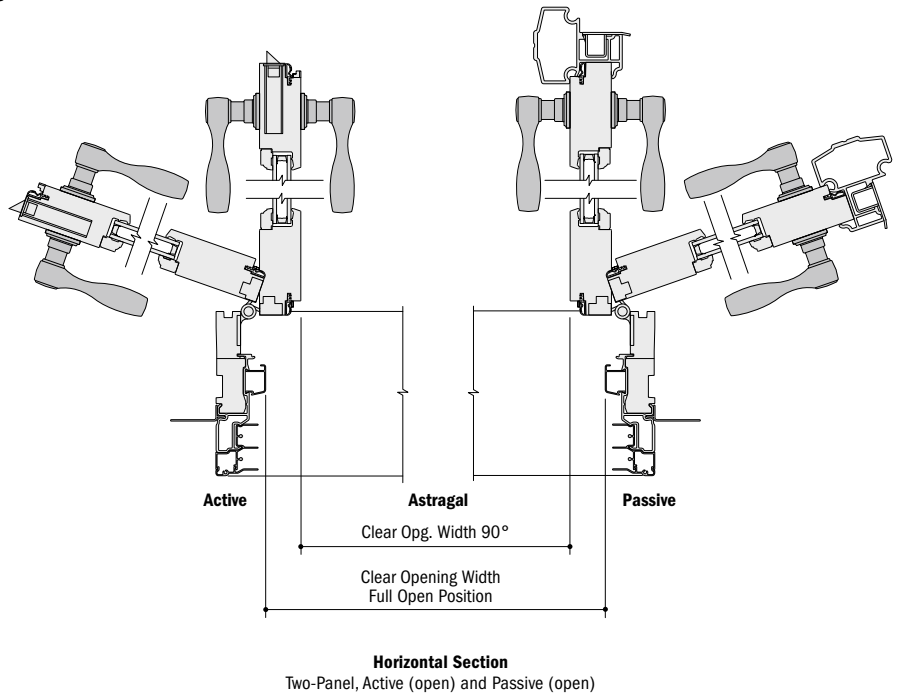
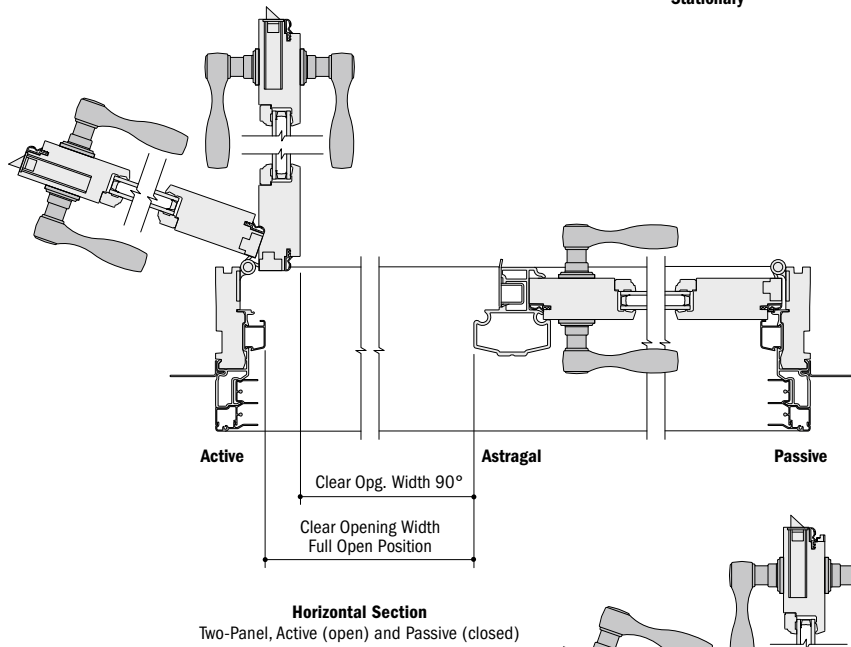
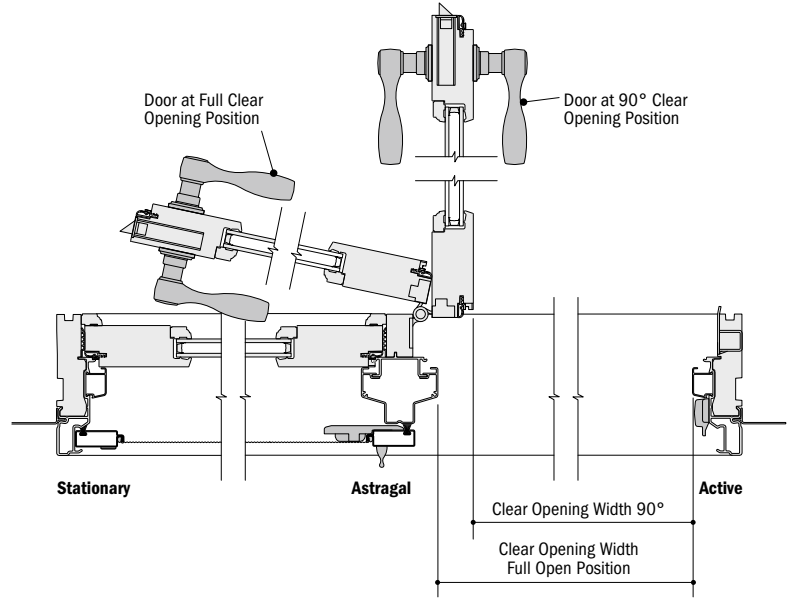
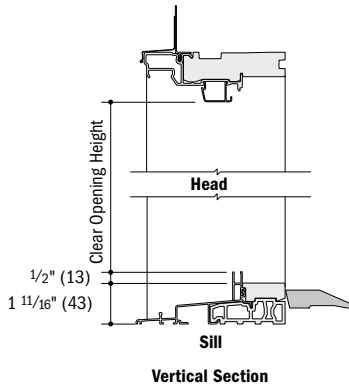


Horizontal Section
Three-Panel

- 4 9/16" (116) jamb depth measurement is from backside of installation flange.
- Light-colored areas are parts included with door. Dark-colored areas are additional Andersen® parts required to complete door assembly as shown.
- Rough openings may need to be increased to allow for use of building wraps, flashing, sill panning, brackets, fasteners or other items. See installation information on pages 288-289.
- Details are for illustration only and are not intended to represent product installation methods or materials. Refer to product installation guides at andersenwindows.com.
- Dimensions in parentheses are in millimeters.
- *Dimension indicates location of astragal centerline.

Clear Opening Details

Scale 1 1/2" (38) = 1'-0" (305) – 1:8

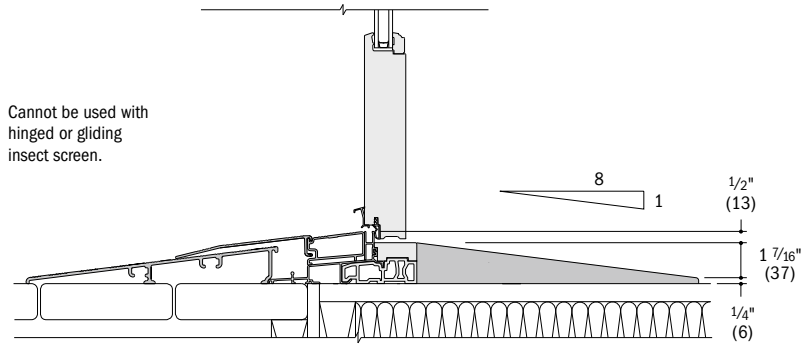


- Light-colored areas are parts included with door. Dark-colored areas are additional Andersen® parts required to complete door assembly as shown.
- **Rough openings may need to be increased to allow for use of building wraps, flashing, sill panning, brackets, fasteners or other items. See installation information on pages 288-289.**
- Details are for illustration only and are not intended to represent product installation methods or materials. Refer to product installation guides at andersenwindows.com.
- Dimensions in parentheses are in millimeters.

FRENCHWOOD® HINGED PATIO DOORS – INSWING

Ramped Sill Detail

Scale 1 1/2" (38) = 1'-0" (305) – 1:8



Vertical Section

Vertical Joining Detail

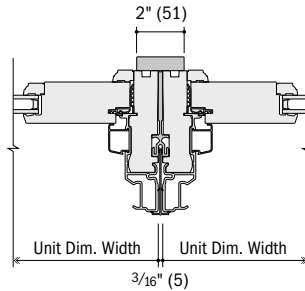
Scale 1 1/2" (38) = 1'-0" (305) – 1:8

Overall Door Dimension Width

Sum of individual door widths plus 3/16" (5) for each join.

Overall Rough Opening Width

Overall door dimension width plus 3/4" (19).



Horizontal Section
Frenchwood® Hinged Inswing to Frenchwood Hinged Inswing

Vertical Joining Detail - LVL

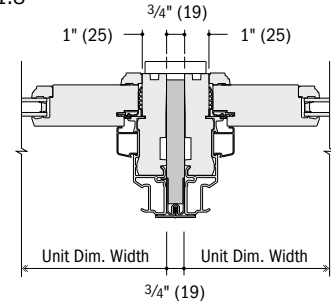
Scale 1 1/2" (38) = 1'-0" (305) – 1:8

Overall Door Dimension Width

Sum of individual door widths plus 3/4" (19) for each join.

Overall Rough Opening Width

Overall door dimension width plus 3/4" (19).



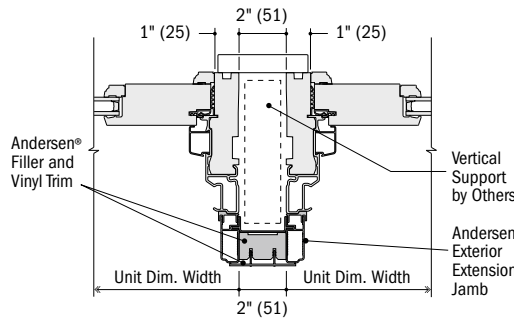
Horizontal Section
Frenchwood® Hinged Inswing to Frenchwood Hinged Inswing

Andersen does not recommend joining of hinge jamb to hinge jamb. For more joining information, see the combination designs section starting on page 255.

Separate Rough Openings Detail

Scale 1 1/2" (38) = 1'-0" (305) – 1:8

To meet structural requirements or to achieve a wider joined appearance, doors may be installed into separate rough openings having vertical support (by others) in combination with Andersen® exterior filler and exterior vinyl trim.



Horizontal Section
Frenchwood® Hinged Inswing and Frenchwood Hinged Inswing

- Light-colored areas are parts included with door. Dark-colored areas are additional Andersen® parts required to complete door assembly as shown.
- **Rough openings may need to be increased to allow for use of building wraps, flashing, sill panning, brackets, fasteners or other items. See installation information on page 288-289.**
- Details are for illustration only and are not intended to represent product installation methods or materials. Refer to product installation guides at andersenwindows.com.
- Andersen recommends installation of doors into separate rough openings. Consult with an architect or structural engineer regarding minimum requirements for structural support members between adjacent rough openings.
- Dimensions in parentheses are in millimeters.

FRENCHWOOD[®] PATIO DOOR SIDELIGHTS & TRANSOMS

CUSTOM SIZING
in 1/8" (3) increments



SECTION REFERENCE

Table of Sizes.....	173
Specifications	173
Custom Sized Sidelights & Transoms	174
Sidelight & Transom Details.....	174
Combination Designs	255
Product Performance.....	269
Warranty.....	290-291

Dimensions in parentheses are in millimeters.

FRENCHWOOD® PATIO DOOR SIDELIGHTS & TRANSOMS

FEATURES

Frame

A All basic exterior frame members are fiberglass reinforced composite, which maintains an attractive appearance while minimizing maintenance.

B The frame members are attached to a water-repellent preservative-treated wood subframe for long-lasting* protection and performance. The subframe is grooved to accept extension jambs.

C The exterior of the wood door panel is protected with a long-lasting* urethane base finish in White, Sandtone, Terratone or Forest Green color.

D Panel interior surfaces are unfinished pine veneer. Unfinished oak and maple veneers are available as options. Low-maintenance prefinished White interiors are also available.

E The sill of the Frenchwood® patio door sidelight is made with three-piece construction. The subsill is made of Fibrex® material, and the sill step is solid oak. The exterior sill member is made of extruded aluminum with an attractive wear-resistant, heat-baked finish in a neutral color. This combination of materials combines durability and low maintenance with excellent insulating characteristics.

Glass

F Panels are silicone bed glazed and finished with an interior wood stop.

G High-Performance glass options include:

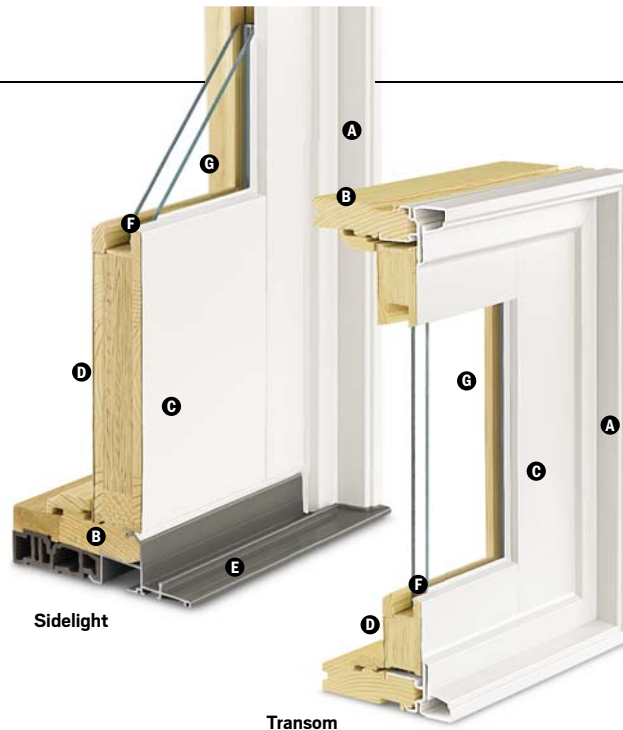
- Low-E4® tempered glass
- Low-E4 HeatLock® tempered glass
- Low-E4 Sun tempered glass
- Low-E4 SmartSun™ tempered glass
- Low-E4 SmartSun HeatLock tempered glass

Additional glass options are available. Contact your Andersen supplier.

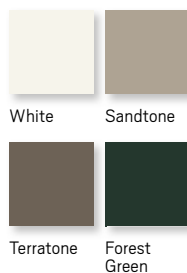
A removable translucent film helps shield the glass from damage during delivery and construction and simplifies finishing at the jobsite.

Patterned Glass

Patterned glass options are available. See page 10 for more details.

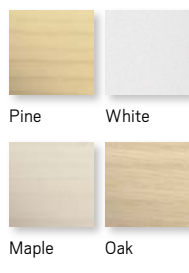


EXTERIOR



Naturally occurring variations in grain, color and texture of wood make each product one-of-a-kind. All wood interiors are unfinished unless prefinished White is specified.

INTERIOR

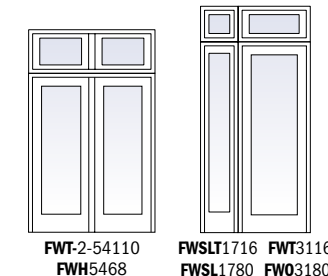
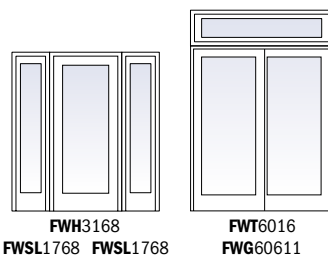


Prefinished White interiors are only available on units with White exteriors.



Frenchwood® patio door sidelights, transoms and sidelight transoms elegantly frame our 400 Series Frenchwood patio doors.

LVL reinforced joining materials are available in 4 9/16" (116) and 6 9/16" (167) depths. See pages 266-267.



ACCESSORIES Sold Separately

Frame

Extension Jambs

Standard jamb depth is 4 9/16" (116). Pine, oak or maple veneer or prefinished White interior extension jambs are available in 1/16" (1.5) increments between 5 1/16" (129) and 7 1/8" (181).

Glass

Andersen® Art Glass

Andersen art glass panels come in a variety of original patterns. See pages 213-214 for details on Andersen art glass. Visit andersenwindows.com/artglass for details and pattern information.

Grilles

Grilles are available in a variety of configurations and widths.

Exterior Trim

This product is available with Andersen® Exterior Trim. See pages 215-220 for details.

CAUTION:

- Painting and staining may cause damage to rigid vinyl.
- Do not paint 400 Series windows with White, Canvas, Sandtone, Forest Green, Dark Bronze or Black exterior colors.
- Andersen does not warrant the adhesion or performance of homeowner-applied paint over vinyl or other factory-coated surfaces.
- 400 Series windows in Terratone color may be painted any color lighter than Terratone color using quality oil-base or latex paint.
- For vinyl painting instructions and preparation, contact your Andersen supplier.
- Do not paint weatherstripping.
- Creosote-based stains should not come in contact with Andersen products.
- Abrasive cleaners or solutions containing corrosive solvents should not be used on Andersen products.

For more information about **glass, patterned glass, art glass and grilles** see pages 10-17.

For more information about **combination designs, product performance, installation accessories and warranty** see pages 255-291 or visit



* Visit andersenwindows.com/warranty for details.

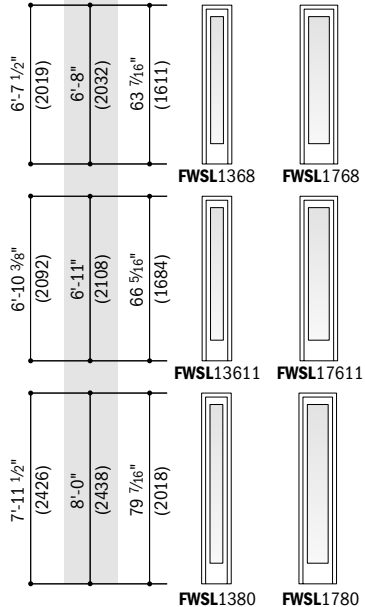
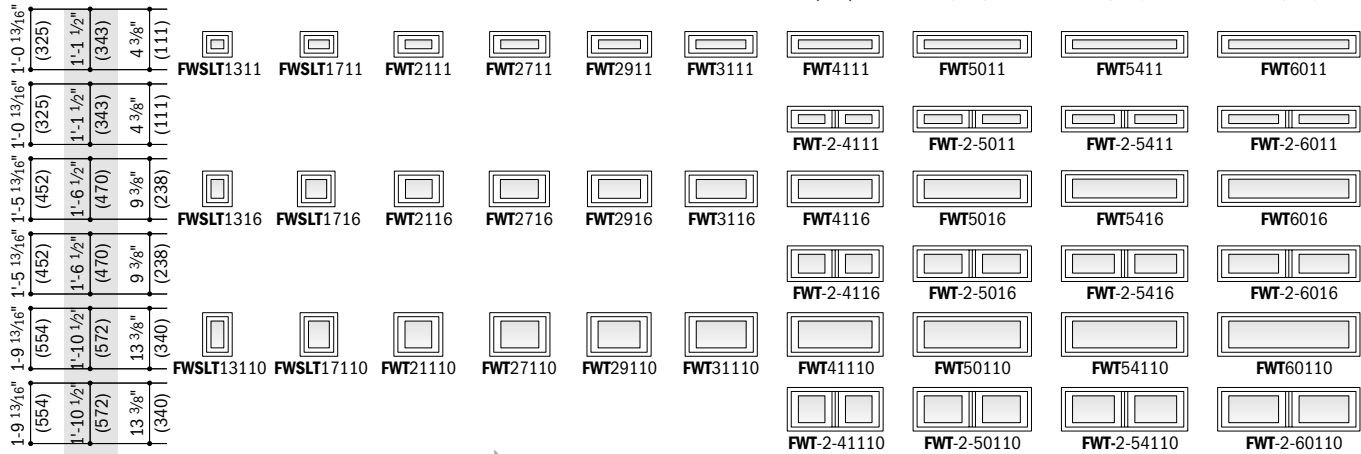
Dimensions in parentheses are in millimeters.

Printing limitations prevent exact duplication of colors and finishes. See your Andersen supplier for actual color and finish samples.

Table of Frenchwood® Patio Door Transom, Sidelight Transom and Sidelight Sizes

Scale 1/8" (3) = 1'-0" (305) – 1:96

Transom/Sidelight Dimension	1'-2 13/16" (376)	1'-6 13/16" (478)	2'-0 1/2" (622)	2'-6 1/8" (765)	2'-8 1/8" (816)	3'-0 1/8" (918)	4'-0" (1219)	4'-11 1/4" (1505)	5'-3 1/4" (1607)	5'-11 1/4" (1810)
Minimum Rough Opening	1'-3 1/2" (394)	1'-7 1/2" (495)	2'-1" (635)	2'-7" (787)	2'-9" (838)	3'-1" (940)	4'-1" (1245)	5'-0" (1524)	5'-4" (1626)	6'-0" (1829)
Unobstructed Glass (single sash only)	6 3/8" (162)	10 3/8" (264)	13 5/16" (338)	18 15/16" (481)	20 15/16" (532)	24 15/16" (633)	36 13/16" (935)	48 1/16" (1221)	52 1/16" (1322)	60 1/16" (1526)
							13 5/16" (338)	18 15/16" (481)	20 15/16" (532)	24 15/16" (633)



- "Transom/Sidelight Dimension" always refers to outside frame to frame dimension.
- "Minimum Rough Opening" dimensions may need to be increased to allow for use of building wraps, flashing, sill panning, brackets, fasteners or other items. See pages 288-289 for more details.
- Dimensions in parentheses are in millimeters.

Frenchwood® Patio Door Sidelight Area Specifications

Sidelight Number	Glass Area Sq. Ft./ (m ²)	Overall Window Area Sq. Ft./ (m ²)
FWSL1368	2.82 (0.26)	8.18 (0.76)
FWSL1768	4.58 (0.43)	10.39 (0.97)
FWSL13611	2.95 (0.27)	8.47 (0.79)
FWSL17611	4.79 (0.45)	10.76 (1.00)
FWSL1380	3.53 (0.33)	9.82 (0.91)
FWSL1780	5.74 (0.53)	12.48 (1.16)



Custom-size doors are available in 1/8" (3) increments.
See page 174 for custom sizes and specifications

Frenchwood® Patio Door Sidelight Transom Area Specifications

Sidelight Transom Number	Glass Area Sq. Ft./ (m ²)	Overall Window Area Sq. Ft./ (m ²)
FWSLT1311	0.20 (0.02)	1.32 (0.12)
FWSLT1316	0.42 (0.04)	1.83 (0.17)
FWSLT13110	0.60 (0.06)	2.24 (0.21)
FWSLT1711	0.32 (0.03)	1.67 (0.16)
FWSLT1716	0.68 (0.06)	2.33 (0.22)
FWSLT17110	0.97 (0.09)	2.85 (0.27)

Frenchwood® Patio Door Transom Area Specifications

Transom Number	Glass Area Sq. Ft./ (m ²)	Overall Window Area Sq. Ft./ (m ²)
FWT2111	0.41 (0.04)	2.18 (0.20)
FWT2116	0.87 (0.08)	3.03 (0.28)
FWT21110	1.24 (0.12)	3.71 (0.35)
FWT2711	0.58 (0.05)	2.68 (0.25)
FWT2716	1.24 (0.12)	3.73 (0.35)
FWT27110	1.77 (0.16)	4.56 (0.42)
FWT2911	0.64 (0.06)	2.86 (0.27)
FWT2916	1.37 (0.13)	3.97 (0.37)
FWT29110	1.95 (0.18)	4.87 (0.45)
FWT3111	0.76 (0.07)	3.21 (0.30)
FWT3116	1.63 (0.15)	4.47 (0.42)
FWT31110	2.33 (0.22)	5.47 (0.51)

Frenchwood® Patio Door Transom Area Specifications

Transom Number	Glass Area Sq. Ft./ (m ²)	Overall Window Area Sq. Ft./ (m ²)
FWT4111	1.13 (0.11)	4.27 (0.40)
FWT4116	2.41 (0.22)	5.94 (0.55)
FWT41110	3.43 (0.32)	7.27 (0.68)
FWT5011	1.47 (0.14)	5.27 (0.49)
FWT5016	3.14 (0.29)	7.33 (0.68)
FWT50110	4.48 (0.42)	8.98 (0.83)
FWT5411	1.59 (0.15)	5.63 (0.52)
FWT5416	3.40 (0.32)	7.82 (0.73)
FWT54110	4.85 (0.45)	9.58 (0.89)
FWT6011	1.84 (0.17)	6.34 (0.59)
FWT6016	3.93 (0.37)	8.81 (0.82)
FWT60110	5.60 (0.52)	10.79 (1.00)
FWT-2 4111	0.82 (0.08)	4.27 (0.40)
FWT-2 4116	1.74 (0.16)	5.94 (0.55)
FWT-2 41110	2.49 (0.23)	7.27 (0.68)
FWT-2 5011	1.16 (0.11)	5.27 (0.49)
FWT-2 5016	2.48 (0.23)	7.33 (0.68)
FWT-2 50110	3.53 (0.33)	8.98 (0.83)
FWT-2 5411	1.28 (0.12)	5.63 (0.52)
FWT-2 5416	2.74 (0.26)	7.82 (0.73)
FWT-2 54110	3.91 (0.36)	9.58 (0.89)
FWT-2 6011	1.53 (0.14)	6.34 (0.59)
FWT-2 6016	3.26 (0.30)	8.81 (0.82)
FWT-2 60110	4.65 (0.43)	10.79 (1.00)

• Dimensions in parentheses are in square meters.

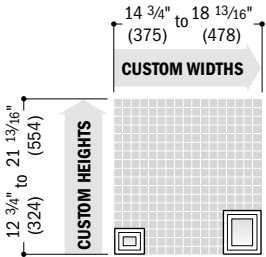
FRENCHWOOD® PATIO DOOR SIDELIGHTS & TRANSOMS

Custom Sizes and Specification Formulas

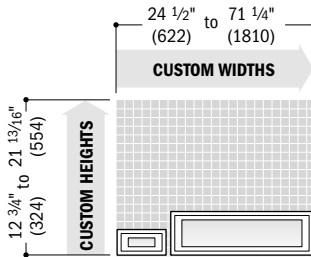


Available in 1/8" (3) increments between minimum and maximum widths and heights. Some restrictions apply. Measurement guide can be found at andersenwindows.com/measure.

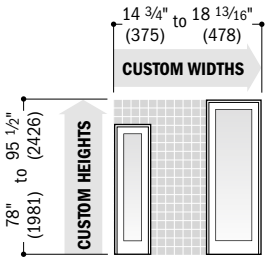
Sidelight Transoms



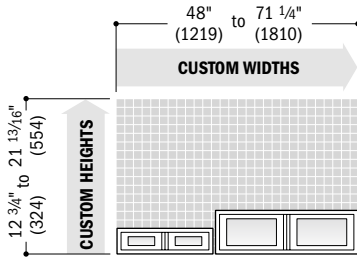
Transoms



Sidelights



Twin Transoms

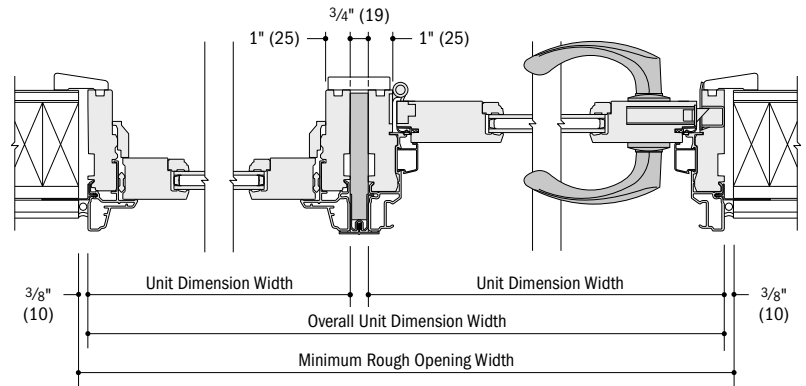


Minimum R.O.	Transoms, Twin Transoms & Sidelight Transoms
	$Width = width + 3/4" (19)$ $Height = height + 3/4" (19)$
	Sidelights $Width = width + 3/4" (19)$ $Height = height + 1/2" (13)$
Unobstr. Glass	Transoms
	$Width = window width - 11.15" (283)$ $Height = window height - 8.4" (213)$
	Twin Transoms $Width = window width - 21.30" (541)$ $Height = window height - 8.4" (213)$
	Sidelight Transoms $Width = window width - 8.4" (213)$ $Height = window height - 8.4" (213)$
	Sidelights $Width = window width - 8.4" (213)$ $Height = window height - 16.06" (408)$

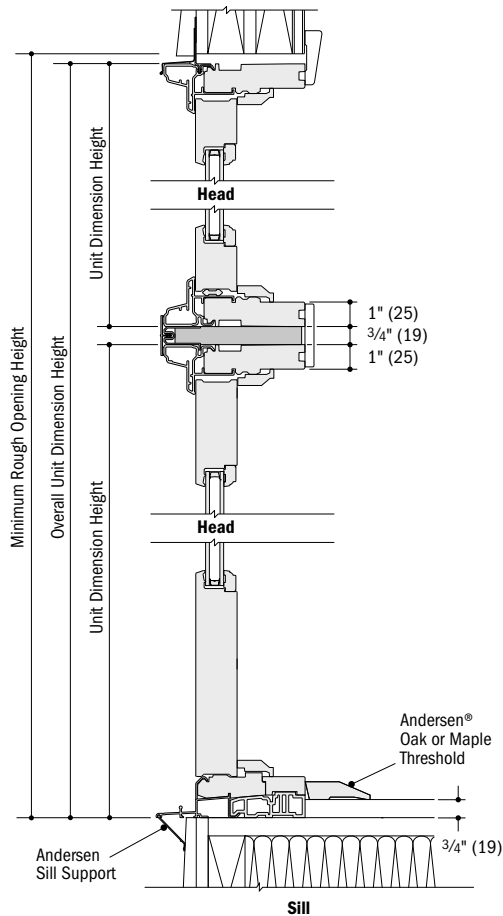
- Dimensions in parentheses are in millimeters.
- **Minimum R.O.** (minimum rough opening) formulas provide minimum rough opening width and height dimensions. **Unobstr. Glass** (unobstructed glass) formulas provide dimensions for determining area available for passage of light.

Frenchwood® Patio Door Transom and Sidelight Details

Scale 1 1/2" (38) = 1'-0" (305) – 1:8



Horizontal Section
Frenchwood® Patio Door Sidelight to Frenchwood® Hinged Inswing Patio Door



Vertical Section
Frenchwood® Patio Door Transom over Frenchwood® Patio Door Sidelight

For more joining information, see the combination designs section starting on page 255.

- Light-colored areas are parts included with patio door sidelights/transoms or doors. Dark-colored areas are additional Andersen® parts required to complete patio door sidelights/transoms or doors assembly as shown.
- **Rough openings may need to be increased to allow for use of building wraps, flashing, sill panning, brackets, fasteners or other items. See installation information on pages 288-289.**
- Details are for illustration only and are not intended to represent product installation methods or materials. Refer to product installation guides at andersenwindows.com.
- Dimensions in parentheses are in millimeters.

COMPLEMENTARY CURVED TOP PATIO DOORS

400 Series
Complementary
Curved Top Patio Doors

CUSTOM SIZING
in 1/8" (3) increments



SECTION REFERENCE

Springline™ Patio Doors

Door Dimensions & Specifications	177
Door Details	178-179

Arch Patio Doors

Door & Sidelight Dimensions & Specifications	180-181
Sidelight Details & Joining Details	182
Door Details	183-184

Product Performance	269
Warranty	290-291

Dimensions in parentheses are in millimeters.

COMPLEMENTARY CURVED TOP PATIO DOORS

FEATURES

Frame

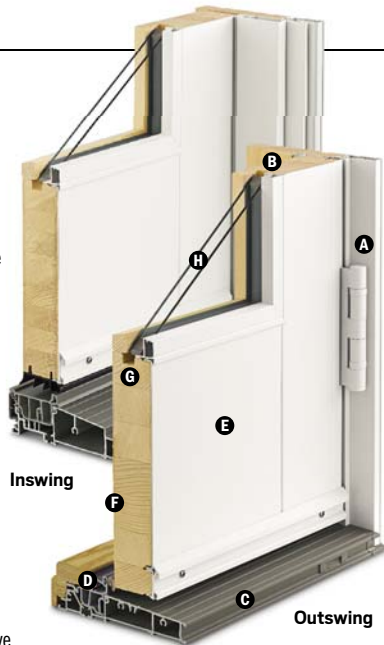
A Heavy-duty extruded aluminum cladding protects the frame exterior, providing low-maintenance durability. Standard cladding finish meets AAMA 2604. An optional finish that meets the AAMA 2605 standard is also available.

Installation flange extends 1 1/2" (38) around three sides of the unit to help properly position the unit in the opening. Installation clips are standard for increased structural anchoring to building members. Mounted around the frame perimeter, the clips rotate into position and can be bent into place against the framing members to suit all jamb conditions.

B Wood frame members are treated with a water-repellent wood preservative for long-lasting protection and performance. Radii are made of laminated continuous veneers. Lineal components are engineered wood with a pine core.

C Extruded aluminum sill is thermally broken and available in painted bronze or gray finish. Innovative sill design provides superior water management. Standard outswing sills have an oak cap. Maple or mahogany™ is optional. Inswing sills have an interior wood trim strip to match the interior finish.

D One-piece compression weatherstripping at the frame sides and head protects against air and water infiltration. Flexible thermoplastic sweep is featured at the bottom of the panel on inswing units. Outswing doors also feature a polypropylene rain skirt at the panel sides and top for added protection.



Panel

E Heavy-duty extruded aluminum cladding protects the panel exterior, providing low-maintenance durability.

F Panel interior surfaces are unfinished wood veneers. Available species are pine, oak and maple.

G Silicone glazing bead combined with two-sided silicone tape provides superior weathertightness.

Glass

H High-Performance glass options include:

- Low-E4® tempered glass
- Low-E4 HeatLock® tempered glass
- Low-E4 Sun tempered glass
- Low-E4 SmartSun™ tempered glass
- Low-E4 SmartSun HeatLock tempered glass

Additional glass options are available. Contact your Andersen supplier.

A removable translucent film helps shield the glass from damage during delivery and construction and simplifies finishing at the jobsite.

Hardware

Multi-Point Locking System/Expanded Offering

The complementary hinged patio door has a multi-point locking system with a hook bolt above and below the center deadbolt. This system provides a weathertight seal and enhanced security. Mix-and-match style and finish options are available to get just the right look inside and out. For hardware style and finish options, see pages 14-15.

Hinges

Ball-bearing hinges are standard on outswing patio doors and are available in finishes that coordinate with hardware trim sets.

Adjustable hinges are standard on inswing patio doors and have ball-bearing pivots for smooth, frictionless movement. Features easy horizontal and vertical adjustment, plus quick-release feature for easy panel removal. This release feature is ideal for transporting large units up stairs or to other hard-to-reach areas.

Gold dust finish is standard on wood interior doors. For units with a prefinished White interior, white finish hinges are standard. Also available in finishes that coordinate with hardware.

Operation

Inswing and outswing units are available. Choose left-hinged, right-hinged or stationary as viewed from the exterior.

ACCESSORIES Sold Separately

Frame

Extension Jamb

Inswing and outswing standard jamb depth is 4 3/16" (116). Inswing is also available in a 6 3/16" (167) jamb depth. Interior extension jambs are available in 1/16" (1.5) increments between 4 3/16" (116) and 7 1/8" (181). Additional dimensions are available. Contact your Andersen supplier for more information.

Interior extension jambs on inswing units will restrict the full opening of the door.

Casings



Curved interior casings are available in the same profiles as other Andersen® products. Curved exterior aluminum and wood casings are available in matching radii and a variety of profiles.

Hardware

Exterior Keyed Lock



A six-pin key cylinder lock is available for all patio doors in styles and finishes that coordinate with hardware. This lock allows the door to be locked and unlocked from the exterior.

Hardware Options†

See pages 14-15 for hardware styles and finish options, including new FSB® hardware.

Grilles

Grilles are available in a variety of configurations and widths.

Art Glass

Decorative insulated art glass designs are available.

EXTERIOR



White Canvas Sandtone Terratone Forest Green Dark Bronze



Dove Gray Prairie Grass Red Rock Cocoa Bean Black

INTERIOR



Pine Maple Oak White



Dark Bronze Black

Naturally occurring variations in grain, color and texture of wood make each door one-of-a-kind. All wood interiors are unfinished unless a prefinished option is specified.

* Visit andersenwindows.com/warranty for details.

** Actual wood is Sapele, a non-endangered species of mahogany, grown in Africa, with color and characteristics similar to American mahoganies.

† Hardware sold separately.

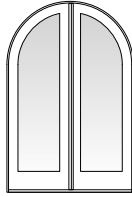
"FSB" is a registered trademark of Franz Schneider Brakel GmbH & Co.

Dimensions in parentheses are in millimeters.

Printing limitations prevent exact duplication of colors and finishes. See your Andersen supplier for actual color and finish samples.



1 AHISDxx80



1 AHISDxx80AP/PA



Custom-size doors are available in 1/8" (3) increments.

Traditional panels are standard. Custom designed and 3/4-light panels are also available. Stationary doors are also available (i.e. 3180S or 4080SS). Add AHISD to "Door Number" listed in table (i.e. AHISD2168).

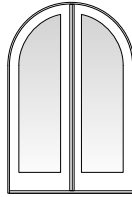
Complementary Springline™ Inswing Patio Door Dimensions and Specifications

Door Number	Number of Panels Open*	Door Dimensions				Min. Rough Opening		Clear Opening Area Sq. Ft./ (m ²)	Clear Opening Maximums			Glass Area Sq. Ft./ (m ²)	Vent Area Sq. Ft./ (m ²)	Overall Door Area Sq. Ft./ (m ²)
		Radius Inches/(mm)	Shoulder Height Inches/(mm)	Width Inches/(mm)	Height Inches/(mm)	Width Inches/(mm)	Height Inches/(mm)		90° Width Inches/(mm)	Full Width Inches/(mm)	Height Inches/(mm)			
3180	1	18" (457)	77 1/2" (1969)	35 15/16" (913)	95 1/2" (2426)	37" (940)	96" (2438)	17.26 (1.60)	30 7/8" (784)	32 13/16" (833)	75 3/4" (1924)	13.28 (1.23)	20.27 (1.88)	22.88 (2.13)
3380	1	19" (483)	76 1/2" (1943)	37 15/16" (964)	95 1/2" (2426)	39" (991)	96" (2438)	18.07 (1.68)	32 7/8" (835)	34 13/16" (884)	74 3/4" (1899)	14.31 (1.33)	21.45 (1.99)	24.09 (2.24)
4080	2	23 5/8" (600)	71 7/8" (1826)	47 1/4" (1200)	95 1/2" (2426)	48" (1219)	96" (2438)	21.34 (1.98)	39 15/16" (1014)	43 13/16" (1113)	70 7/8" (1781)	13.27 (1.23)	26.72 (2.48)	29.67 (2.76)
4080	1	23 5/8" (600)	71 7/8" (1826)	47 1/4" (1200)	95 1/2" (2426)	48" (1219)	96" (2438)	10.17 (0.94)	18 15/16" (481)	20 7/8" (530)	70 7/8" (1781)	13.27 (1.23)	11.72 (1.09)	29.67 (2.76)
5080	2	29 5/8" (752)	65 7/8" (1673)	59 1/4" (1505)	95 1/2" (2426)	60" (1524)	96" (2438)	24.85 (2.31)	51 15/16" (1319)	55 13/16" (1418)	64 1/8" (1629)	19.14 (1.78)	33.54 (3.12)	36.68 (3.41)
5080	1	29 5/8" (752)	65 7/8" (1673)	59 1/4" (1505)	95 1/2" (2426)	60" (1524)	96" (2438)	11.97 (1.11)	24 15/16" (633)	26 7/8" (683)	64 1/8" (1629)	19.14 (1.78)	14.53 (1.35)	36.68 (3.41)
5480	2	31 5/8" (803)	63 7/8" (1622)	63 1/4" (1607)	95 1/2" (2426)	64" (1626)	96" (2438)	25.80 (2.40)	55 15/16" (1421)	59 13/16" (1519)	62 1/8" (1578)	21.05 (1.96)	35.77 (3.32)	38.97 (3.62)
5480	1	31 5/8" (803)	63 7/8" (1622)	63 1/4" (1607)	95 1/2" (2426)	64" (1626)	96" (2438)	12.46 (1.16)	26 15/16" (684)	28 7/8" (733)	62 1/8" (1578)	21.05 (1.96)	15.45 (1.44)	38.97 (3.62)
6080	2	35 5/8" (905)	59 7/8" (1521)	71 1/4" (1810)	95 1/2" (2426)	72" (1829)	96" (2438)	27.37 (2.54)	63 15/16" (1624)	67 13/16" (1722)	58 1/8" (1476)	24.79 (2.30)	40.15 (3.73)	43.47 (4.04)
6080	1	35 5/8" (905)	59 7/8" (1521)	71 1/4" (1810)	95 1/2" (2426)	72" (1829)	96" (2438)	13.27 (1.23)	30 15/16" (786)	32 7/8" (835)	58 1/8" (1476)	24.79 (2.30)	17.24 (1.60)	43.47 (4.04)
6480	2	37 5/8" (956)	57 7/8" (1470)	75 1/4" (1911)	95 1/2" (2426)	76" (1930)	96" (2438)	27.99 (2.60)	67 15/16" (1726)	71 13/16" (1824)	56 1/8" (1426)	26.63 (2.47)	42.30 (3.93)	45.69 (4.24)
6480	1	37 5/8" (956)	57 7/8" (1470)	75 1/4" (1911)	95 1/2" (2426)	76" (1930)	96" (2438)	13.59 (1.26)	32 15/16" (837)	34 7/8" (886)	56 1/8" (1426)	26.63 (2.47)	19.84 (1.84)	45.69 (4.24)

- "Door Dimension" always refers to outside frame to frame dimension.
- "Minimum Rough Opening" dimensions may need to be increased to allow for use of building wraps, flashing, sill panning, brackets, fasteners or other items. See pages 288-289 for more details.
- Dimensions in parentheses are in millimeters or square meters.
- *For two-panel patio doors with one panel open, clear opening is based on active panel being open and passive panel being closed.



1 AOSDxx80



1 AOSDxx80AP/PA



Custom-size doors are available in 1/8" (3) increments.

Traditional panels are standard. Custom designed and 3/4-light panels are also available. Stationary doors are also available (i.e. 3180S or 4080SS). Add AOSD to "Door Number" listed in table (i.e. AOSD2168).

Complementary Springline™ Outswing Patio Door Dimensions and Specifications

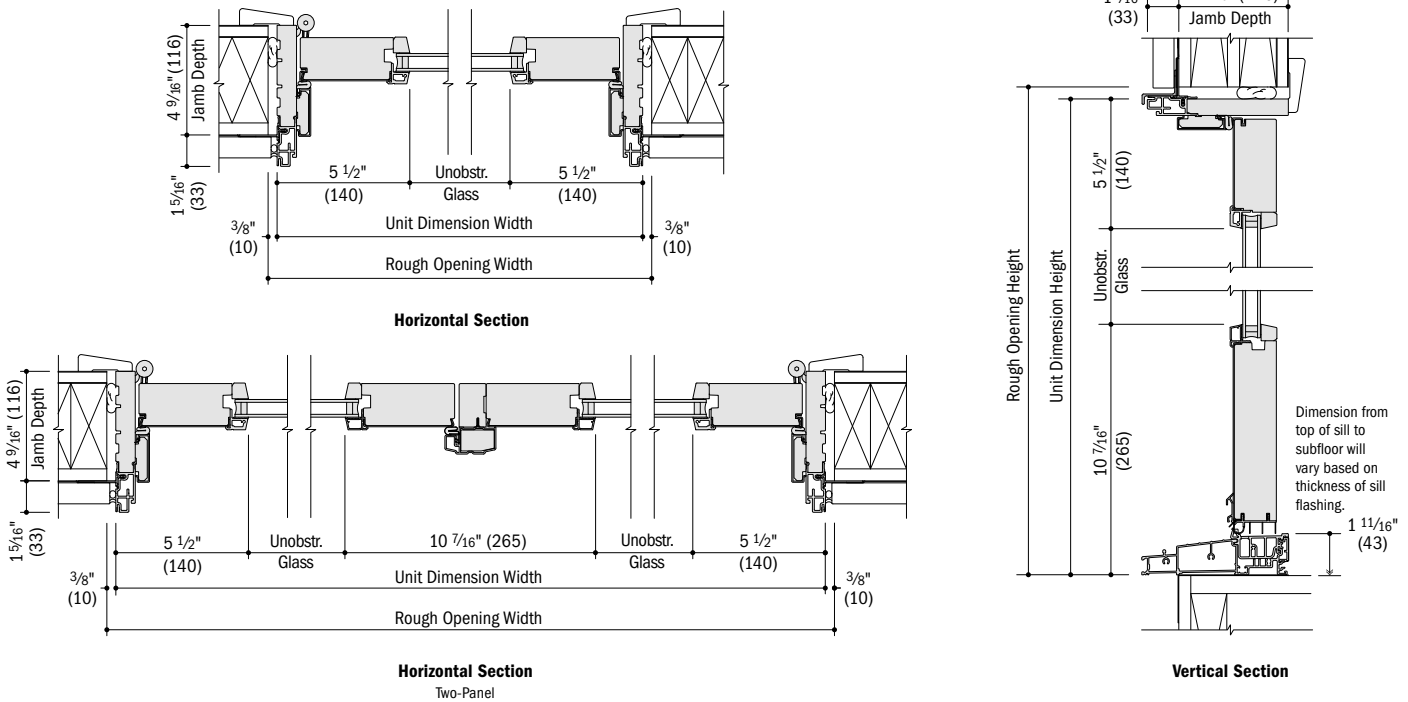
Door Number	Number of Panels Open*	Door Dimensions				Min. Rough Opening		Clear Opening Area Sq. Ft./ (m ²)	Clear Opening Maximums			Glass Area Sq. Ft./ (m ²)	Vent Area Sq. Ft./ (m ²)	Overall Door Area Sq. Ft./ (m ²)
		Radius Inches/(mm)	Shoulder Height Inches/(mm)	Width Inches/(mm)	Height Inches/(mm)	Width Inches/(mm)	Height Inches/(mm)		90° Width Inches/(mm)	Full Width Inches/(mm)	Height Inches/(mm)			
3180	1	18" (457)	77 1/2" (1969)	35 15/16" (913)	95 1/2" (2426)	37" (940)	96" (2438)	17.52 (1.63)	31 3/8" (797)	33 5/16" (846)	75 3/4" (1924)	13.28 (1.23)	20.53 (1.91)	22.88 (2.13)
3380	1	19" (483)	76 1/2" (1943)	37 15/16" (964)	95 1/2" (2426)	39" (991)	96" (2438)	18.33 (1.70)	33 3/8" (848)	35 5/16" (897)	74 3/4" (1899)	14.31 (1.33)	21.71 (2.02)	24.09 (2.24)
4080	2	23 5/8" (600)	71 7/8" (1826)	47 1/4" (1200)	95 1/2" (2426)	48" (1219)	96" (2438)	21.73 (2.02)	40 11/16" (1033)	44 5/8" (1133)	70 7/8" (1781)	13.27 (1.23)	27.12 (2.52)	29.67 (2.76)
4080	1	23 5/8" (600)	71 7/8" (1826)	47 1/4" (1200)	95 1/2" (2426)	48" (1219)	96" (2438)	10.35 (0.96)	19 1/4" (489)	21 1/4" (540)	70 7/8" (1781)	13.27 (1.23)	11.72 (1.09)	29.67 (2.76)
5080	2	29 5/8" (752)	65 7/8" (1673)	59 1/4" (1505)	95 1/2" (2426)	60" (1524)	96" (2438)	25.22 (2.34)	52 11/16" (1338)	56 5/8" (1438)	64 1/8" (1629)	19.14 (1.78)	33.90 (3.15)	36.68 (3.41)
5080	1	29 5/8" (752)	65 7/8" (1673)	59 1/4" (1505)	95 1/2" (2426)	60" (1524)	96" (2438)	12.13 (1.13)	25 1/4" (641)	27 1/4" (692)	64 1/8" (1629)	19.14 (1.78)	14.53 (1.35)	36.68 (3.41)
5480	2	31 5/8" (803)	63 7/8" (1622)	63 1/4" (1607)	95 1/2" (2426)	64" (1626)	96" (2438)	26.16 (2.43)	56 11/16" (1440)	60 5/8" (1540)	62 1/8" (1578)	21.05 (1.96)	36.12 (3.36)	38.97 (3.62)
5480	1	31 5/8" (803)	63 7/8" (1622)	63 1/4" (1607)	95 1/2" (2426)	64" (1626)	96" (2438)	12.62 (1.17)	27 1/4" (692)	29 1/4" (743)	62 1/8" (1578)	21.05 (1.96)	15.45 (1.44)	38.97 (3.62)
6080	2	35 5/8" (905)	59 7/8" (1521)	71 1/4" (1810)	95 1/2" (2426)	72" (1829)	96" (2438)	27.70 (2.57)	64 11/16" (1643)	68 5/8" (1743)	58 1/8" (1476)	24.79 (2.30)	40.48 (3.76)	43.47 (4.04)
6080	1	35 5/8" (905)	59 7/8" (1521)	71 1/4" (1810)	95 1/2" (2426)	72" (1829)	96" (2438)	13.42 (1.25)	31 1/4" (794)	33 1/4" (845)	58 1/8" (1476)	24.79 (2.30)	17.24 (1.60)	43.47 (4.04)
6480	2	37 5/8" (956)	57 7/8" (1470)	75 1/4" (1911)	95 1/2" (2426)	76" (1930)	96" (2438)	28.31 (2.63)	68 11/16" (1745)	72 5/8" (1845)	56 1/8" (1426)	26.63 (2.47)	42.62 (3.96)	45.69 (4.24)
6480	1	37 5/8" (956)	57 7/8" (1470)	75 1/4" (1911)	95 1/2" (2426)	76" (1930)	96" (2438)	13.74 (1.28)	33 1/4" (845)	35 1/4" (895)	56 1/8" (1426)	26.63 (2.47)	19.84 (1.84)	45.69 (4.24)

- "Door Dimension" always refers to outside frame to frame dimension.
- "Minimum Rough Opening" dimensions may need to be increased to allow for use of building wraps, flashing, sill panning, brackets, fasteners or other items. See pages 288-289 for more details.
- Dimensions in parentheses are in millimeters or square meters.
- *For two-panel patio doors with one panel open, clear opening is based on active panel being open and passive panel being closed.

COMPLEMENTARY CURVED TOP PATIO DOORS

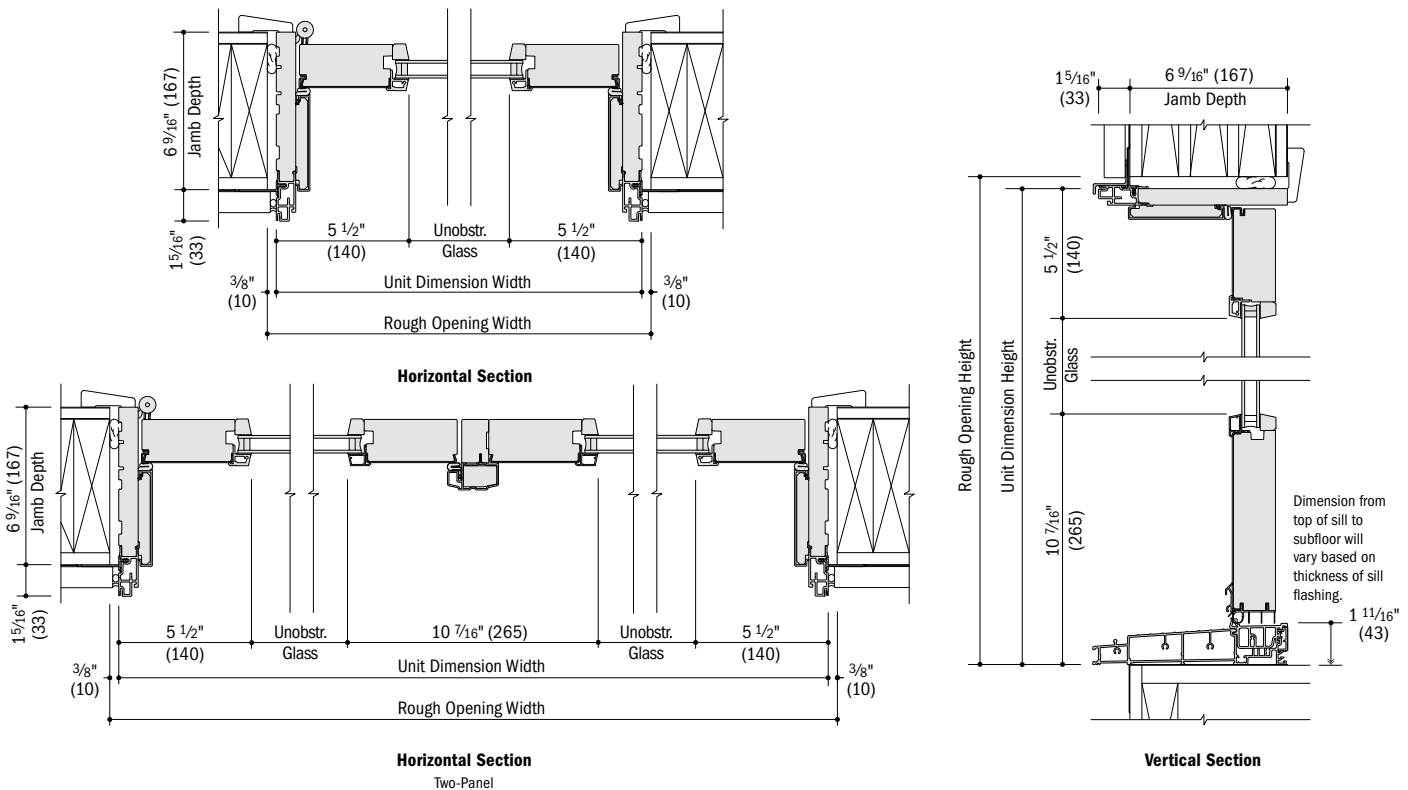
Complementary Springline™ Inswing Patio Door Details – 4 9/16" (116) Jamb Depth

Scale 1 1/2" (38) = 1'-0" (305) – 1:8



Complementary Springline™ Inswing Patio Door Details – 6 9/16" (167) Jamb Depth

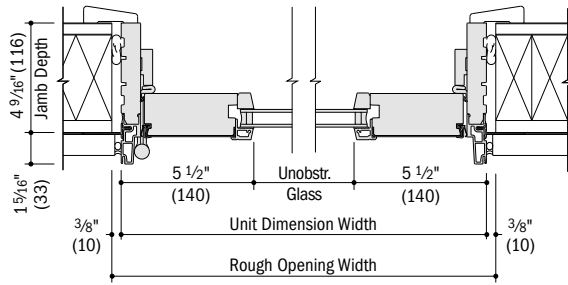
Scale 1 1/2" (38) = 1'-0" (305) – 1:8



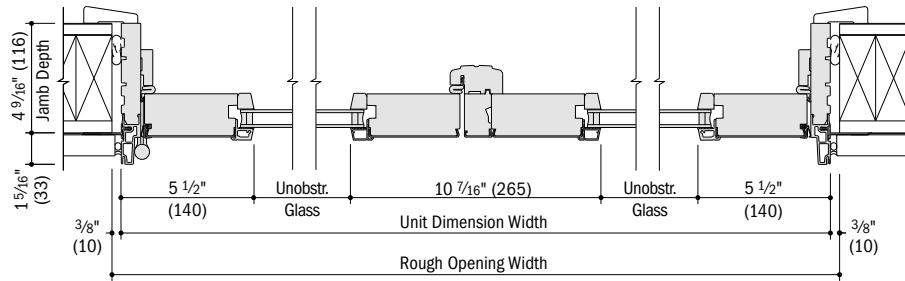
- 4 9/16" (116) and 6 9/16" (167) jamb depth measurements are from backside of installation flange.
- Light-colored areas are parts included with door. Dark-colored areas are additional Andersen™ parts required to complete door assembly as shown.
- **Rough openings may need to be increased to allow for use of building wraps, flashing, sill panning, brackets, fasteners or other items. See installation information on pages 288-289.**
- Details are for illustration only and are not intended to represent product installation methods or materials. Refer to product installation guides at andersenwindows.com.
- Dimensions in parentheses are in millimeters.

Complementary Springline™ Outswing Patio Door Details – 4 9/16" (116) Jamb Depth

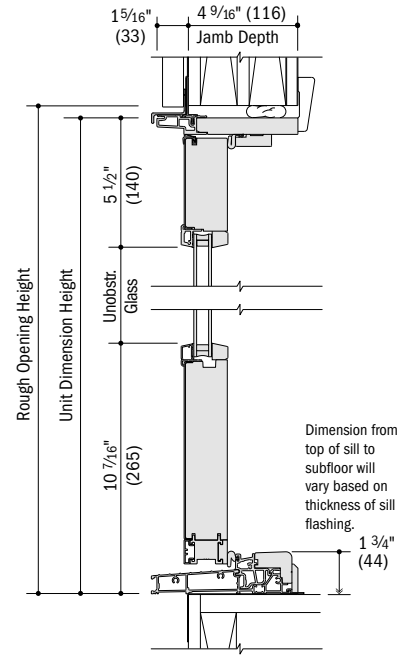
Scale 1 1/2" (38) = 1'-0" (305) – 1:8



Horizontal Section



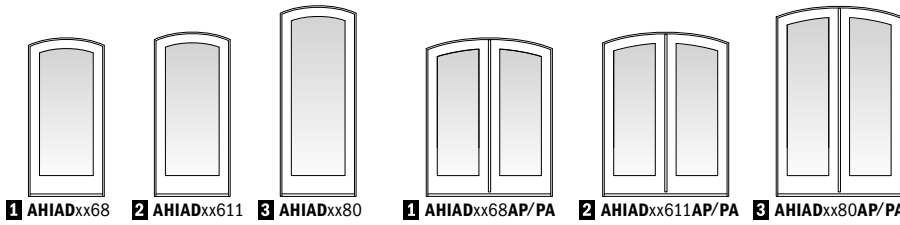
Horizontal Section
Two-Panel



Vertical Section

- 4 9/16" (116) jamb depth measurements are from backside of installation flange.
- Light-colored areas are parts included with door. Dark-colored areas are additional Andersen® parts required to complete door assembly as shown.
- **Rough openings may need to be increased to allow for use of building wraps, flashing, sill panning, brackets, fasteners or other items. See installation information on pages 288-289.**
- Details are for illustration only and are not intended to represent product installation methods or materials. Refer to product installation guides at andersenwindows.com.
- Dimensions in parentheses are in millimeters.

COMPLEMENTARY CURVED TOP PATIO DOORS

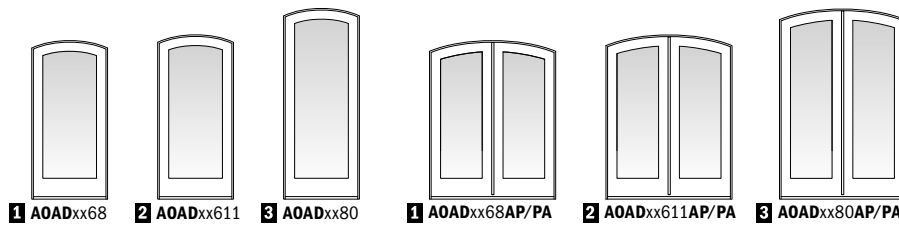


Custom-size doors are available in 1/8" (3) increments. Traditional panels are standard. Custom designed and 3/4-light panels are also available. Stationary doors are also available (i.e. 2168S or 4068SS). Add **AHIA D** to "Door Number" listed in table (i.e. **AHIA D2168**).

Complementary Arch Inswing Patio Door Dimensions and Specifications

Door Number	Number of Panels Open*	Door Dimensions				Min. Rough Opening		Clear Opening Area Sq. Ft./(m ²)	Clear Opening Maximums			Glass Area Sq. Ft./(m ²)	Vent Area Sq. Ft./(m ²)	Overall Door Area Sq. Ft./(m ²)
		Radius Inches/(mm)	Shoulder Height Inches/(mm)	Width Inches/(mm)	Height Inches/(mm)	Width Inches/(mm)	Height Inches/(mm)		90° Width Inches/(mm)	Full Width Inches/(mm)	Height Inches/(mm)			
2168	1	36" (914)	77 7/16" (1967)	23 15/16" (608)	79 1/2" (2019)	25" (635)	80" (2032)	10.79 (1.00)	18 7/8" (479)	20 13/16" (529)	74 11/16" (1897)	5.66 (0.53)	12.46 (1.16)	14.49 (1.35)
2768	1	48" (1219)	77 7/16" (1959)	29 15/16" (760)	79 1/2" (2019)	31" (787)	80" (2032)	13.84 (1.29)	24 7/8" (632)	26 13/16" (681)	74 5/16" (1888)	8.28 (0.77)	15.70 (1.46)	17.85 (1.66)
2968	1	48" (1219)	76 3/4" (1949)	31 15/16" (811)	79 1/2" (2019)	33" (838)	80" (2032)	14.81 (1.38)	26 7/8" (683)	28 13/16" (732)	74" (1880)	9.15 (0.85)	16.77 (1.56)	18.95 (1.76)
3168	1	48" (1219)	76" (1930)	35 15/16" (913)	79 1/2" (2019)	37" (940)	80" (2032)	16.71 (1.55)	30 7/8" (784)	32 13/16" (833)	73 5/16" (1862)	10.87 (1.01)	18.88 (1.75)	21.13 (1.96)
3368	1	48" (1219)	75 5/8" (1921)	37 15/16" (964)	79 1/2" (2019)	39" (991)	80" (2032)	17.86 (1.66)	32 7/8" (835)	34 13/16" (884)	73 7/8" (1876)	11.72 (1.09)	22.01 (2.04)	24.36 (2.26)
21611	1	36" (914)	80 5/16" (2040)	23 15/16" (608)	82 3/8" (2092)	25" (635)	83" (2108)	11.21 (1.04)	18 7/8" (479)	20 13/16" (529)	77 9/16" (1970)	5.93 (0.55)	14.39 (1.34)	16.65 (1.55)
27611	1	48" (1219)	80" (2032)	29 15/16" (760)	82 3/8" (2092)	31" (787)	83" (2108)	14.37 (1.33)	24 7/8" (632)	26 13/16" (681)	77 3/16" (1961)	8.68 (0.81)	18.17 (1.69)	20.55 (1.91)
29611	1	48" (1219)	79 5/8" (2022)	31 15/16" (811)	82 3/8" (2092)	33" (838)	83" (2108)	15.38 (1.43)	26 7/8" (683)	28 13/16" (732)	76 7/8" (1953)	9.58 (0.89)	19.41 (1.80)	21.83 (2.03)
31611	1	48" (1219)	78 7/8" (2003)	35 15/16" (913)	82 3/8" (2092)	37" (940)	83" (2108)	17.36 (1.61)	30 7/8" (784)	32 13/16" (833)	76 3/16" (1935)	11.39 (1.06)	21.89 (2.03)	24.37 (2.26)
33611	1	48" (1219)	78 1/2" (1994)	37 15/16" (964)	82 3/8" (2092)	39" (991)	83" (2108)	18.55 (1.72)	32 7/8" (835)	34 13/16" (884)	76 3/8" (1949)	12.28 (1.14)	25.19 (2.34)	27.78 (2.58)
2180	1	36" (914)	93 7/16" (2373)	23 15/16" (608)	95 1/2" (2426)	25" (635)	96" (2438)	13.11 (1.22)	18 7/8" (479)	20 13/16" (529)	90 11/16" (2303)	7.09 (0.66)	16.31 (1.52)	18.81 (1.75)
2780	1	48" (1219)	93 1/8" (2365)	29 15/16" (760)	95 1/2" (2426)	31" (787)	96" (2438)	16.82 (1.56)	24 7/8" (632)	26 13/16" (681)	90 5/16" (2294)	10.38 (0.96)	20.63 (1.92)	23.25 (2.16)
2980	1	48" (1219)	92 3/4" (2356)	31 15/16" (811)	95 1/2" (2426)	33" (838)	96" (2438)	18.01 (1.67)	26 7/8" (683)	28 13/16" (732)	90" (2286)	11.47 (1.07)	22.06 (2.05)	24.71 (2.30)
3180	1	48" (1219)	92" (2337)	35 15/16" (913)	95 1/2" (2426)	37" (940)	96" (2438)	20.35 (1.89)	30 7/8" (784)	32 13/16" (833)	89 5/16" (2269)	13.63 (1.27)	24.89 (2.31)	27.62 (2.57)
3380	1	48" (1219)	91 5/8" (2327)	37 15/16" (964)	95 1/2" (2426)	39" (991)	96" (2438)	21.73 (2.02)	32 7/8" (835)	34 13/16" (884)	89 7/8" (2283)	14.71 (1.37)	28.38 (2.64)	31.20 (2.90)
4068	2	48" (1219)	73 5/16" (1862)	47 1/4" (1200)	79 1/2" (2019)	48" (1219)	80" (2032)	21.56 (2.00)	39 15/16" (1014)	43 13/16" (1113)	70 7/8" (1800)	10.93 (1.02)	25.61 (2.38)	28.07 (2.61)
4068	1	48" (1219)	73 5/16" (1862)	47 1/4" (1200)	79 1/2" (2019)	48" (1219)	80" (2032)	10.27 (0.95)	18 15/16" (481)	20 7/8" (530)	70 7/8" (1800)	10.93 (1.02)	12.22 (1.14)	28.07 (2.61)
5068	2	96" (2438)	74 13/16" (1900)	59 1/4" (1505)	79 1/2" (2019)	60" (1524)	80" (2032)	27.95 (2.60)	51 15/16" (1319)	55 13/16" (1418)	72 7/8" (1832)	16.30 (1.51)	32.24 (3.00)	34.97 (3.25)
5068	1	96" (2438)	74 13/16" (1900)	59 1/4" (1505)	79 1/2" (2019)	60" (1524)	80" (2032)	13.46 (1.25)	24 15/16" (633)	26 7/8" (683)	72 7/8" (1832)	16.30 (1.51)	15.54 (1.44)	34.97 (3.25)
5468	2	96" (2438)	74 1/8" (1883)	63 1/4" (1607)	79 1/2" (2019)	64" (1626)	80" (2032)	29.70 (2.76)	55 15/16" (1421)	59 13/16" (1519)	71 1/2" (1816)	17.97 (1.67)	34.29 (3.19)	37.09 (3.45)
5468	1	96" (2438)	74 1/8" (1883)	63 1/4" (1607)	79 1/2" (2019)	64" (1626)	80" (2032)	14.34 (1.33)	26 15/16" (684)	28 7/8" (733)	71 1/2" (1816)	17.97 (1.67)	16.56 (1.54)	37.09 (3.45)
6068	2	96" (2438)	72 5/8" (1845)	71 1/4" (1810)	79 1/2" (2019)	72" (1829)	80" (2032)	32.99 (3.06)	63 15/16" (1624)	67 13/16" (1722)	70 1/16" (1780)	21.25 (1.97)	38.33 (3.56)	41.27 (3.83)
6068	1	96" (2438)	72 5/8" (1845)	71 1/4" (1810)	79 1/2" (2019)	72" (1829)	80" (2032)	16.00 (1.49)	30 15/16" (786)	32 7/8" (835)	70 1/16" (1780)	21.25 (1.97)	18.58 (1.73)	41.27 (3.83)
6468	2	96" (2438)	71 13/16" (1824)	75 1/4" (1911)	79 1/2" (2019)	76" (1930)	80" (2032)	34.53 (3.21)	67 15/16" (1726)	71 13/16" (1824)	69 3/4" (1759)	22.86 (2.12)	44.22 (4.11)	47.36 (4.40)
6468	1	96" (2438)	71 13/16" (1824)	75 1/4" (1911)	79 1/2" (2019)	76" (1930)	80" (2032)	16.77 (1.56)	32 15/16" (837)	34 7/8" (886)	69 3/4" (1759)	22.86 (2.12)	21.53 (2.00)	47.36 (4.40)
40611	2	48" (1219)	76 3/16" (1935)	47 1/4" (1200)	82 3/8" (2092)	48" (1219)	83" (2108)	22.44 (2.08)	39 15/16" (1014)	43 13/16" (1113)	73 3/4" (1873)	11.46 (1.06)	29.64 (2.75)	32.34 (3.00)
40611	1	48" (1219)	76 3/16" (1935)	47 1/4" (1200)	82 3/8" (2092)	48" (1219)	83" (2108)	10.69 (0.99)	18 15/16" (481)	20 7/8" (530)	73 3/4" (1873)	11.46 (1.06)	14.29 (1.33)	32.34 (3.00)
50611	2	96" (2438)	77 11/16" (1973)	59 1/4" (1505)	82 3/8" (2092)	60" (1524)	83" (2108)	29.07 (2.70)	51 15/16" (1319)	55 13/16" (1418)	75" (1905)	17.09 (1.59)	37.35 (3.47)	40.32 (3.75)
50611	1	96" (2438)	77 11/16" (1973)	59 1/4" (1505)	82 3/8" (2092)	60" (1524)	83" (2108)	14.00 (1.30)	24 15/16" (633)	26 7/8" (683)	75" (1905)	17.09 (1.59)	18.15 (1.69)	40.32 (3.75)
54611	2	96" (2438)	77" (1956)	63 1/4" (1607)	82 3/8" (2092)	64" (1626)	83" (2108)	30.89 (2.87)	55 15/16" (1421)	59 13/16" (1519)	74 3/8" (1889)	18.84 (1.75)	39.77 (3.69)	42.80 (3.98)
54611	1	96" (2438)	77" (1956)	63 1/4" (1607)	82 3/8" (2092)	64" (1626)	83" (2108)	14.91 (1.39)	26 15/16" (684)	28 7/8" (733)	74 3/8" (1889)	18.84 (1.75)	19.35 (1.80)	42.80 (3.98)
60611	2	96" (2438)	75 1/2" (1918)	71 1/4" (1810)	82 3/8" (2092)	72" (1829)	83" (2108)	34.35 (3.19)	63 15/16" (1624)	67 13/16" (1722)	72 15/16" (1853)	22.28 (2.07)	44.53 (4.14)	47.71 (4.43)
60611	1	96" (2438)	75 1/2" (1918)	71 1/4" (1810)	82 3/8" (2092)	72" (1829)	83" (2108)	16.65 (1.55)	30 15/16" (786)	32 7/8" (835)	72 15/16" (1853)	22.28 (2.07)	21.74 (2.02)	47.71 (4.43)
64611	2	96" (2438)	74 13/16" (1897)	75 1/4" (1911)	82 3/8" (2092)	76" (1930)	83" (2108)	35.97 (3.34)	67 15/16" (1726)	71 13/16" (1824)	72 7/8" (1832)	23.98 (2.23)	50.78 (4.72)	54.16 (5.03)
64611	1	96" (2438)	74 13/16" (1897)	75 1/4" (1911)	82 3/8" (2092)	76" (1930)	83" (2108)	17.47 (1.62)	32 15/16" (837)	34 7/8" (886)	72 7/8" (1832)	23.98 (2.23)	25.22 (2.34)	54.16 (5.03)
4080	2	48" (1219)	89 5/16" (2269)	47 1/4" (1200)	95 1/2" (2426)	48" (1219)	96" (2438)	26.43 (2.46)	39 15/16" (1014)	43 13/16" (1113)	86 7/8" (2207)	13.76 (1.28)	33.66 (3.13)	36.60 (3.40)
4080	1	48" (1219)	89 5/16" (2269)	47 1/4" (1200)	95 1/2" (2426)	48" (1219)	96" (2438)	12.59 (1.17)	18 15/16" (481)	20 7/8" (530)	86 7/8" (2207)	13.76 (1.28)	14.29 (1.33)	36.60 (3.40)
5080	2	96" (2438)	90 13/16" (2307)	59 1/4" (1505)	95 1/2" (2426)	60" (1524)	96" (2438)	34.16 (3.17)	51 15/16" (1319)	55 13/16" (1418)	88 1/8" (2238)	20.50 (1.90)	42.47 (3.95)	45.67 (4.24)
5080	1	96" (2438)	90 13/16" (2307)	59 1/4" (1505)	95 1/2" (2426)	60" (1524)	96" (2438)	16.45 (1.53)	24 15/16" (633)	26 7/8" (683)	88 1/8" (2238)	20.50 (1.90)	18.15 (1.69)	45.67 (4.24)
5480	2	96" (2438)	90 1/8" (2289)	63 1/4" (1607)	95 1/2" (2426)	64" (1626)	96" (2438)	36.34 (3.38)	55 15/16" (1421)	59 13/16" (1519)	87 1/2" (2223)	22.61 (2.10)	45.24 (4.20)	48.51 (4.51)
5480	1	96" (2438)	90 1/8" (2289)	63 1/4" (1607)	95 1/2" (2426)	64" (1626)	96" (2438)	17.55 (1.63)	26 15/16" (684)	28 7/8" (733)	87 1/2" (2223)	22.61 (2.10)	19.35 (1.80)	48.51 (4.51)
6080	2	96" (2438)	88 5/8" (2251)	71 1/4" (1810)	95 1/2" (2426)	72" (1829)	96" (2438)	40.53 (3.77)	63 15/16" (1624)	67 13/16" (1722)	86 1/16" (2186)	26.78 (2.49)	50.73 (4.71)	54.14 (5.03)
6080	1	96" (2438)	88 5/8" (2251)	71 1/4" (1810)	95 1/2" (2426)	72" (1829)	96" (2438)	19.65 (1.83)	30 15/16" (786)	32 7/8" (835)	86 1/16" (2186)	26.78 (2.49)	21.74 (2.02)	54.14 (5.03)
6480	2	96" (2438)	87 13/16" (2230)	75 1/4" (1911)	95 1/2" (2426)	76" (1930)	96" (2438)	42.51 (3.95)	67 15/16" (1726)	71 13/16" (1824)	85 1/8" (2165)	28.83 (2.68)	57.33 (5.33)	60.95 (5.66)
6480	1	96" (2438)	87 13/16" (2230)	75 1/4" (1911)	95 1/2" (2426)	76" (1930)	96" (2438)	20.65 (1.92)	32 15/16" (837)	34 7/8" (886)	85 1/4" (2165)	28.83 (2.68)	25.22 (2.34)	60.95 (5.66)

• "Door Dimension" always refers to outside frame to frame dimension.
 • "Minimum Rough Opening" dimensions may need to be increased to allow for use of building wraps, flashing, sill panning, brackets, fasteners or other items. See pages 288-289 for more details.
 • Dimensions in parentheses are in millimeters or square meters.
 *For two-panel patio doors with one panel open, clear opening is based on active panel being open and passive panel being closed.



Custom-size doors are available in 1/8" (3) increments. Traditional panels are standard. Custom designed and 3/4-light panels are also available. Stationary doors are also available (i.e. 2168S or 4068SS). Add **AOAD** to "Door Number" listed in table (i.e. **AOAD2168**).

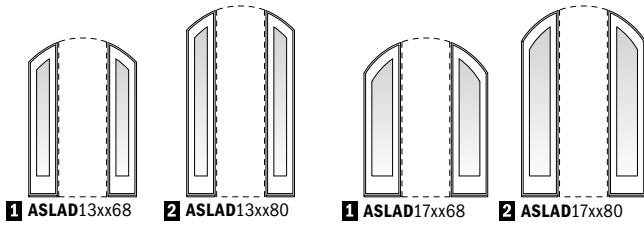
Complementary Arch Outswing Patio Door Dimensions and Specifications

Door Number	Number of Panels Open*	Door Dimensions				Min. Rough Opening		Clear Opening Area Sq. Ft./ (m ²)	Clear Opening Maximums			Glass Area Sq. Ft./ (m ²)	Vent Area Sq. Ft./ (m ²)	Overall Door Area Sq. Ft./ (m ²)
		Radius Inches/(mm)	Shoulder Height Inches/(mm)	Width Inches/(mm)	Height Inches/(mm)	Width Inches/(mm)	Height Inches/(mm)		90° Width Inches/(mm)	Full Width Inches/(mm)	Height Inches/(mm)			
2168	1	36" (914)	77 1/16" (1967)	23 15/16" (608)	79 1/2" (2019)	25" (635)	80" (2032)	11.06 (1.03)	19 3/8" (492)	21 5/16" (541)	74 3/4" (1899)	5.66 (0.53)	12.46 (1.16)	14.49 (1.35)
2768	1	48" (1219)	77 1/8" (1959)	29 15/16" (760)	79 1/2" (2019)	31" (787)	80" (2032)	14.11 (1.31)	25 3/8" (645)	27 5/16" (694)	74 3/8" (1889)	8.28 (0.77)	15.70 (1.46)	17.85 (1.66)
2968	1	48" (1219)	76 3/4" (1949)	31 15/16" (811)	79 1/2" (2019)	33" (838)	80" (2032)	15.08 (1.40)	27 3/8" (695)	29 5/16" (745)	74 1/16" (1881)	9.15 (0.85)	16.77 (1.56)	18.95 (1.76)
3168	1	48" (1219)	76" (1930)	35 15/16" (913)	79 1/2" (2019)	37" (940)	80" (2032)	16.97 (1.58)	31 3/8" (797)	33 3/16" (846)	73 3/8" (1864)	10.87 (1.01)	18.88 (1.75)	21.13 (1.96)
3368	1	48" (1219)	75 5/8" (1921)	37 15/16" (964)	79 1/2" (2019)	39" (991)	80" (2032)	17.90 (1.66)	33 3/8" (848)	35 5/16" (897)	73" (1854)	11.72 (1.09)	22.01 (2.04)	24.36 (2.26)
21611	1	36" (914)	80 5/16" (2040)	23 15/16" (608)	82 3/8" (2092)	25" (635)	83" (2108)	11.49 (1.07)	19 3/8" (492)	21 5/16" (541)	77 5/8" (1972)	5.93 (0.55)	14.39 (1.34)	16.65 (1.55)
27611	1	48" (1219)	80" (2032)	29 15/16" (760)	82 3/8" (2092)	31" (787)	83" (2108)	14.65 (1.36)	25 3/8" (645)	27 5/16" (694)	77 1/4" (1962)	8.68 (0.81)	18.17 (1.69)	20.55 (1.91)
29611	1	48" (1219)	79 5/8" (2022)	31 15/16" (811)	82 3/8" (2092)	33" (838)	83" (2108)	15.66 (1.45)	27 3/8" (695)	29 5/16" (745)	76 15/16" (1954)	9.58 (0.89)	19.41 (1.80)	21.83 (2.03)
31611	1	48" (1219)	78 7/8" (2003)	35 15/16" (913)	82 3/8" (2092)	37" (940)	83" (2108)	17.64 (1.64)	31 3/8" (797)	33 5/16" (846)	76 1/4" (1937)	11.39 (1.06)	21.89 (2.03)	24.37 (2.26)
33611	1	48" (1219)	78 1/4" (1994)	37 15/16" (964)	82 3/8" (2092)	39" (991)	83" (2108)	18.61 (1.73)	33 3/8" (848)	35 5/16" (897)	75 7/8" (1927)	12.28 (1.14)	25.19 (2.34)	27.78 (2.58)
2180	1	36" (914)	93 1/16" (2373)	23 15/16" (608)	95 1/2" (2426)	25" (635)	96" (2438)	13.43 (1.25)	19 3/8" (492)	21 5/16" (541)	90 3/4" (2305)	7.09 (0.66)	16.31 (1.52)	18.81 (1.75)
2780	1	48" (1219)	93 1/8" (2365)	29 15/16" (760)	95 1/2" (2426)	31" (787)	96" (2438)	17.14 (1.59)	25 3/8" (645)	27 5/16" (694)	90 3/8" (2296)	10.38 (0.96)	20.63 (1.92)	23.25 (2.16)
2980	1	48" (1219)	92 3/4" (2356)	31 15/16" (811)	95 1/2" (2426)	33" (838)	96" (2438)	18.33 (1.70)	27 3/8" (695)	29 5/16" (745)	90 1/16" (2288)	11.47 (1.07)	22.06 (2.05)	24.71 (2.30)
3180	1	48" (1219)	92" (2337)	35 15/16" (913)	95 1/2" (2426)	37" (940)	96" (2438)	20.68 (1.92)	31 3/8" (797)	33 3/16" (846)	89 3/8" (2270)	13.63 (1.27)	24.89 (2.31)	27.62 (2.57)
3380	1	48" (1219)	91 5/8" (2327)	37 15/16" (964)	95 1/2" (2426)	39" (991)	96" (2438)	21.83 (2.03)	33 3/8" (848)	35 5/16" (897)	89" (2261)	14.71 (1.37)	28.38 (2.64)	31.20 (2.90)
4068	2	48" (1219)	73 5/16" (1862)	47 1/4" (1200)	79 1/2" (2019)	48" (1219)	80" (2032)	21.93 (2.04)	40 11/16" (1033)	44 5/8" (1133)	70 3/4" (1797)	10.93 (1.02)	25.61 (2.38)	28.07 (2.61)
4068	1	48" (1219)	73 5/16" (1862)	47 1/4" (1200)	79 1/2" (2019)	48" (1219)	80" (2032)	10.44 (0.97)	19 1/4" (489)	21 1/4" (540)	70 3/4" (1797)	10.93 (1.02)	12.22 (1.14)	28.07 (2.61)
5068	2	96" (2438)	74 13/16" (1900)	59 1/4" (1505)	79 1/2" (2019)	60" (1524)	80" (2032)	28.36 (2.63)	52 11/16" (1338)	56 5/8" (1438)	72 1/8" (1832)	16.30 (1.51)	32.24 (3.00)	34.97 (3.25)
5068	1	96" (2438)	74 13/16" (1900)	59 1/4" (1505)	79 1/2" (2019)	60" (1524)	80" (2032)	13.65 (1.27)	25 1/4" (641)	27 1/4" (692)	72 1/8" (1832)	16.30 (1.51)	15.54 (1.44)	34.97 (3.25)
5468	2	96" (2438)	74 1/8" (1883)	63 1/4" (1607)	79 1/2" (2019)	64" (1626)	80" (2032)	30.08 (2.79)	56 11/16" (1440)	60 5/8" (1540)	71 1/16" (1815)	17.97 (1.67)	34.29 (3.19)	37.09 (3.45)
5468	1	96" (2438)	74 1/8" (1883)	63 1/4" (1607)	79 1/2" (2019)	64" (1626)	80" (2032)	14.51 (1.35)	27 1/4" (692)	29 1/4" (743)	71 1/16" (1815)	17.97 (1.67)	16.56 (1.54)	37.09 (3.45)
6068	2	96" (2438)	72 5/8" (1845)	71 1/4" (1810)	79 1/2" (2019)	72" (1829)	80" (2032)	33.36 (3.10)	64 11/16" (1643)	68 5/8" (1743)	70" (1778)	21.25 (1.97)	38.33 (3.56)	41.27 (3.83)
6068	1	96" (2438)	72 5/8" (1845)	71 1/4" (1810)	79 1/2" (2019)	72" (1829)	80" (2032)	16.16 (1.50)	31 1/4" (794)	33 1/4" (845)	70" (1778)	21.25 (1.97)	18.58 (1.73)	41.27 (3.83)
6468	2	96" (2438)	71 13/16" (1824)	75 1/4" (1911)	79 1/2" (2019)	76" (1930)	80" (2032)	34.89 (3.24)	68 11/16" (1745)	72 5/8" (1845)	69 3/16" (1757)	22.86 (2.12)	44.22 (4.11)	47.36 (4.40)
6468	1	96" (2438)	71 13/16" (1824)	75 1/4" (1911)	79 1/2" (2019)	76" (1930)	80" (2032)	16.94 (1.57)	33 1/4" (845)	35 1/4" (895)	69 3/16" (1757)	22.86 (2.12)	21.53 (2.00)	47.36 (4.40)
40611	2	48" (1219)	76 3/16" (1935)	47 1/4" (1200)	82 3/8" (2092)	48" (1219)	83" (2108)	22.82 (2.12)	40 11/16" (1033)	44 5/8" (1133)	73 5/8" (1870)	11.46 (1.06)	29.64 (2.75)	32.34 (3.00)
40611	1	48" (1219)	76 3/16" (1935)	47 1/4" (1200)	82 3/8" (2092)	48" (1219)	83" (2108)	10.86 (1.01)	19 1/4" (489)	21 1/4" (540)	73 5/8" (1870)	11.46 (1.06)	14.29 (1.33)	32.34 (3.00)
50611	2	96" (2438)	77 13/16" (1973)	59 1/4" (1505)	82 3/8" (2092)	60" (1524)	83" (2108)	29.49 (2.74)	52 11/16" (1338)	56 5/8" (1438)	75" (1905)	17.09 (1.59)	37.35 (3.47)	40.32 (3.75)
50611	1	96" (2438)	77 13/16" (1973)	59 1/4" (1505)	82 3/8" (2092)	60" (1524)	83" (2108)	14.19 (1.32)	25 1/4" (641)	27 1/4" (692)	75" (1905)	17.09 (1.59)	18.15 (1.69)	40.32 (3.75)
54611	2	96" (2438)	77" (1956)	63 1/4" (1607)	82 3/8" (2092)	64" (1626)	83" (2108)	31.29 (2.91)	56 11/16" (1440)	60 5/8" (1540)	74 5/16" (1888)	18.84 (1.75)	39.77 (3.69)	42.80 (3.98)
54611	1	96" (2438)	77" (1956)	63 1/4" (1607)	82 3/8" (2092)	64" (1626)	83" (2108)	15.09 (1.40)	27 1/4" (692)	29 1/4" (743)	74 5/16" (1888)	18.84 (1.75)	19.35 (1.80)	42.80 (3.98)
60611	2	96" (2438)	75 1/2" (1918)	71 1/4" (1810)	82 3/8" (2092)	72" (1829)	83" (2108)	34.73 (3.23)	64 11/16" (1643)	68 5/8" (1743)	72 1/8" (1851)	22.28 (2.07)	44.53 (4.14)	47.71 (4.43)
60611	1	96" (2438)	75 1/2" (1918)	71 1/4" (1810)	82 3/8" (2092)	72" (1829)	83" (2108)	16.83 (1.56)	31 1/4" (794)	33 1/4" (845)	72 1/8" (1851)	22.28 (2.07)	21.74 (2.02)	47.71 (4.43)
64611	2	96" (2438)	74 11/16" (1897)	75 1/4" (1911)	82 3/8" (2092)	76" (1930)	83" (2108)	36.34 (3.38)	68 11/16" (1745)	72 5/8" (1845)	72 1/16" (1830)	23.98 (2.23)	50.78 (4.72)	54.16 (5.03)
64611	1	96" (2438)	74 11/16" (1897)	75 1/4" (1911)	82 3/8" (2092)	76" (1930)	83" (2108)	17.64 (1.64)	33 1/4" (845)	35 1/4" (895)	72 1/16" (1830)	23.98 (2.23)	25.22 (2.34)	54.16 (5.03)
4080	2	48" (1219)	89 5/8" (2269)	47 1/4" (1200)	95 1/2" (2426)	48" (1219)	96" (2438)	26.88 (2.50)	40 11/16" (1033)	44 5/8" (1133)	86 3/4" (2203)	13.76 (1.28)	33.66 (3.13)	36.60 (3.40)
4080	1	48" (1219)	89 5/8" (2269)	47 1/4" (1200)	95 1/2" (2426)	48" (1219)	96" (2438)	12.80 (1.19)	19 1/4" (489)	21 1/4" (540)	86 3/4" (2203)	13.76 (1.28)	14.29 (1.33)	36.60 (3.40)
5080	2	96" (2438)	90 13/16" (2307)	59 1/4" (1505)	95 1/2" (2426)	60" (1524)	96" (2438)	34.65 (3.22)	52 11/16" (1338)	56 5/8" (1438)	88 1/8" (2238)	20.50 (1.90)	42.47 (3.95)	45.67 (4.24)
5080	1	96" (2438)	90 13/16" (2307)	59 1/4" (1505)	95 1/2" (2426)	60" (1524)	96" (2438)	16.68 (1.55)	25 1/4" (641)	27 1/4" (692)	88 1/8" (2238)	20.50 (1.90)	18.15 (1.69)	45.67 (4.24)
5480	2	96" (2438)	90 1/8" (2289)	63 1/4" (1607)	95 1/2" (2426)	64" (1626)	96" (2438)	36.81 (3.42)	56 11/16" (1440)	60 5/8" (1540)	87 1/16" (2221)	22.61 (2.10)	45.24 (4.20)	48.51 (4.51)
5480	1	96" (2438)	90 1/8" (2289)	63 1/4" (1607)	95 1/2" (2426)	64" (1626)	96" (2438)	17.76 (1.65)	27 1/4" (692)	29 1/4" (743)	87 1/16" (2221)	22.61 (2.10)	19.35 (1.80)	48.51 (4.51)
6080	2	96" (2438)	88 5/8" (2251)	71 1/4" (1810)	95 1/2" (2426)	72" (1829)	96" (2438)	40.98 (3.81)	64 11/16" (1643)	68 5/8" (1743)	86" (2184)	26.78 (2.49)	50.73 (4.71)	54.14 (5.03)
6080	1	96" (2438)	88 5/8" (2251)	71 1/4" (1810)	95 1/2" (2426)	72" (1829)	96" (2438)	19.86 (1.84)	31 1/4" (794)	33 1/4" (845)	86" (2184)	26.78 (2.49)	21.74 (2.02)	54.14 (5.03)
6480	2	96" (2438)	87 13/16" (2230)	75 1/4" (1911)	95 1/2" (2426)	76" (1930)	96" (2438)	42.96 (3.99)	68 11/16" (1745)	72 5/8" (1845)	85 3/16" (2164)	28.83 (2.68)	57.33 (5.33)	60.95 (5.66)
6480	1	96" (2438)	87 13/16" (2230)	75 1/4" (1911)	95 1/2" (2426)	76" (1930)	96" (2438)	20.85 (1.94)	33 1/4" (845)	35 1/4" (895)	85 3/16" (2164)	28.83 (2.68)	25.22 (2.34)	60.95 (5.66)

* "Door Dimension" always refers to outside frame to frame dimension.
 • "Minimum Rough Opening" dimensions may need to be increased to allow for use of building wraps, flashing, sill panning, brackets, fasteners or other items. See pages 288-289 for more details.
 • Dimensions in parentheses are in millimeters or square meters.
 *For two-panel patio doors with one panel open, clear opening is based on active panel being open and passive panel being closed.

COMPLEMENTARY CURVED TOP PATIO DOORS

Complementary Arch Patio Door Sidelights

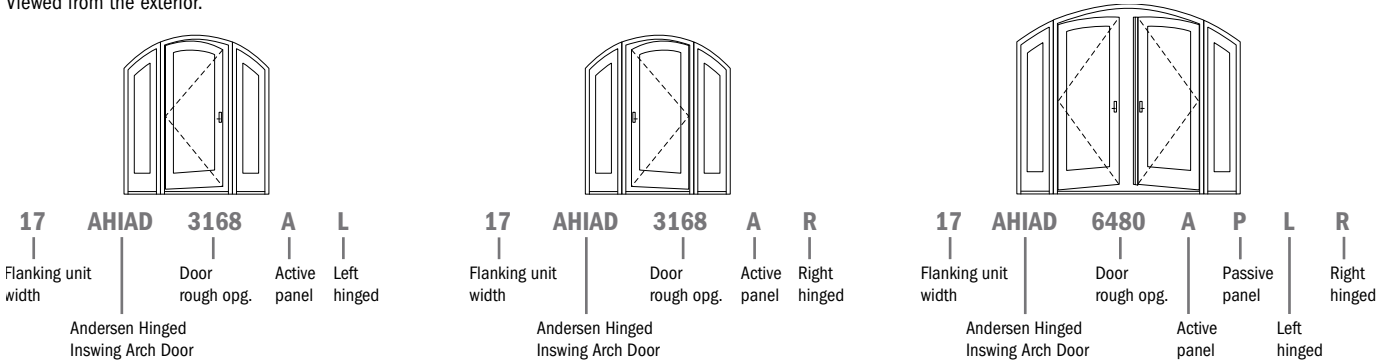


Custom sized in 1/8" (3) increments.

Standard sizes in two widths and heights. Contact your Andersen supplier for sidelight dimensions and specifications. Sash-set arch patio door sidelights, shown, are standard. Direct-set sidelights are available by special order.

Order Designation Description

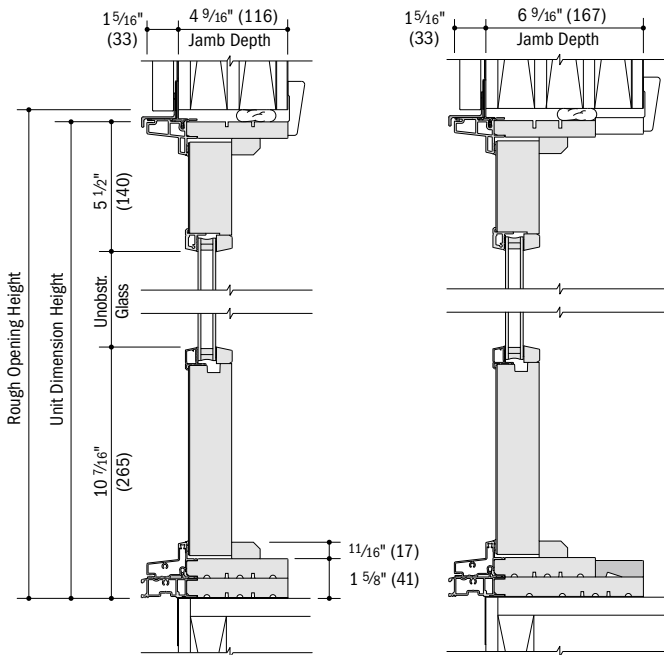
Viewed from the exterior.



Arch inswing patio doors (AHIA D) shown above, for arch outswing patio doors use AOAD. Outswing patio doors open outward to the exterior.

Complementary Arch Patio Door Sidelight Details

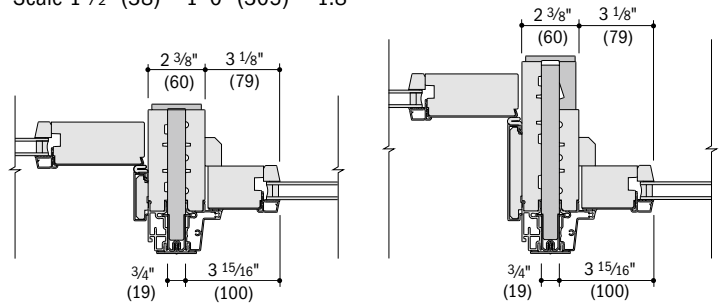
Scale 1 1/2" (38) = 1'-0" (305) – 1:8



Vertical Sections

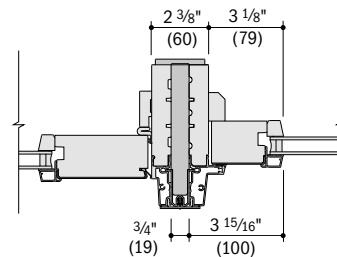
Vertical Joining Details

Scale 1 1/2" (38) = 1'-0" (305) – 1:8



Complementary Arch Inswing Patio Door to Complementary Arch Patio Door Sidelight
4 9/16" (116) Jamb Depth

Complementary Arch Inswing Patio Door to Complementary Arch Patio Door Sidelight
6 9/16" (167) Jamb Depth

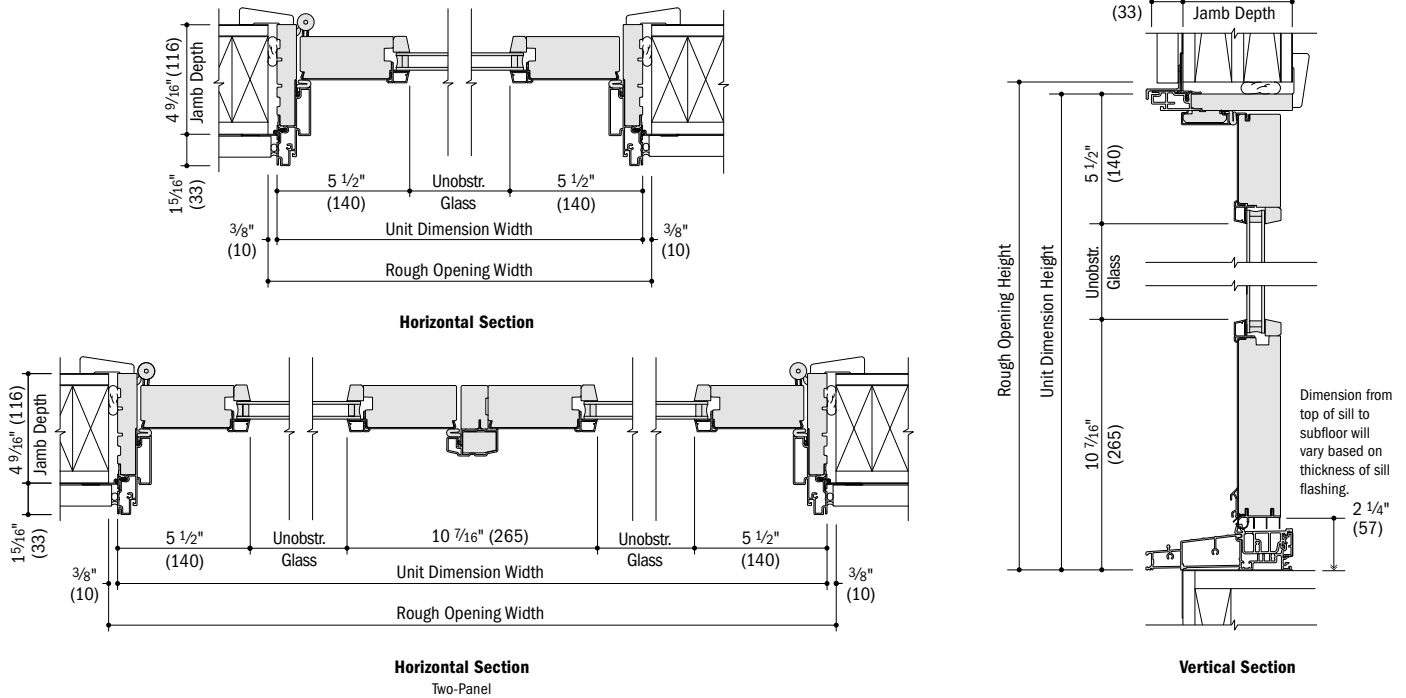


Complementary Arch Outswing Patio Door to Complementary Arch Patio Door Sidelight

- 4 9/16" (116) and 6 9/16" (167) jamb depth measurements are from backside of installation flange.
- Light-colored areas are parts included with window and/or door. Dark-colored areas are additional Andersen® parts required to complete window and/or door assembly as shown.
- **Rough openings may need to be increased to allow for use of building wraps, flashing, sill panning, brackets, fasteners or other items. See installation information on pages 288-289.**
- Details are for illustration only and are not intended to represent product installation methods or materials. Refer to product installation guides at andersenwindows.com.
- Dimensions in parentheses are in millimeters.

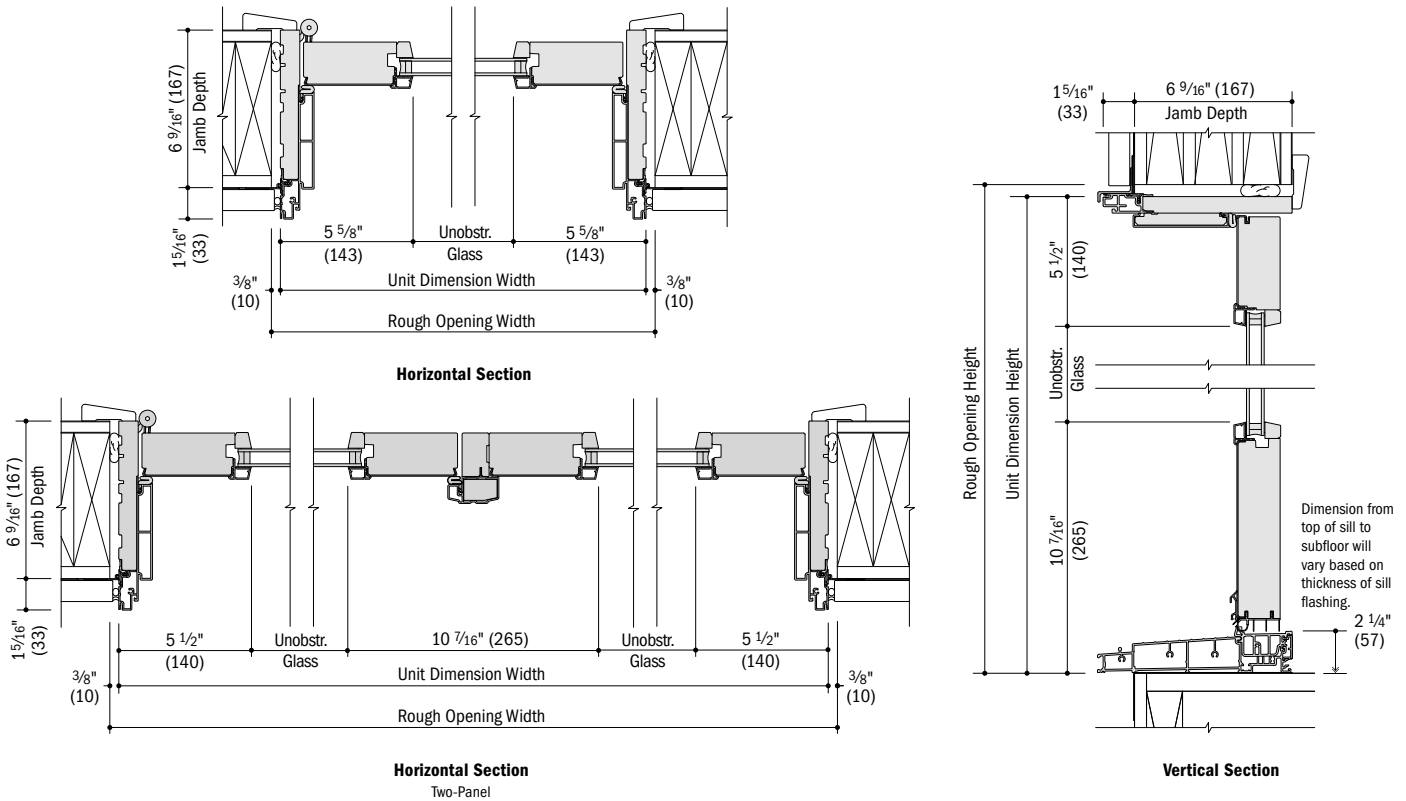
Complementary Arch Inswing Patio Door Details – 4 9/16" (116) Jamb Depth

Scale 1 1/2" (38) = 1'-0" (305) – 1:8



Complementary Arch Inswing Patio Door Details – 6 9/16" (167) Jamb Depth

Scale 1 1/2" (38) = 1'-0" (305) – 1:8

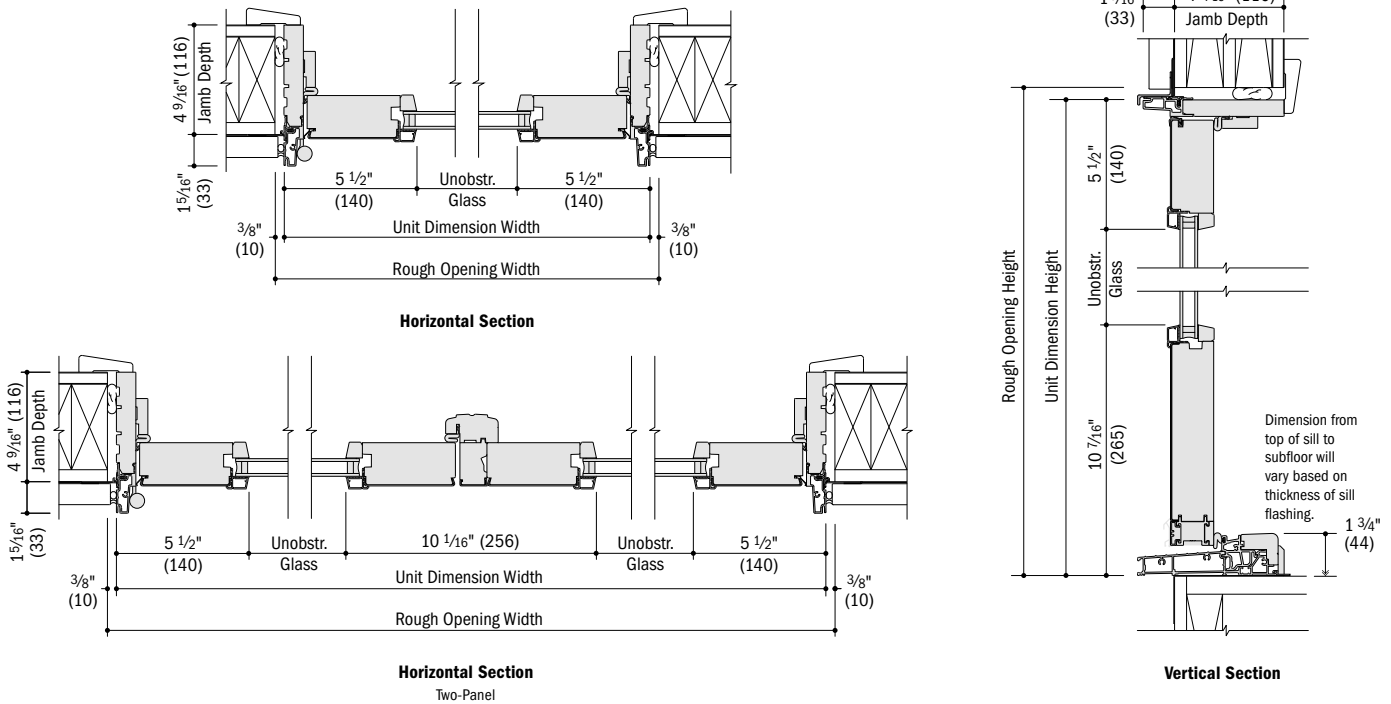


- 4 9/16" (116) and 6 9/16" (167) jamb depth measurements are from backside of installation flange.
- Light-colored areas are parts included with door. Dark-colored areas are additional Andersen® parts required to complete door assembly as shown.
- **Rough openings may need to be increased to allow for use of building wraps, flashing, sill panning, brackets, fasteners or other items. See installation information on pages 288-289.**
- Details are for illustration only and are not intended to represent product installation methods or materials. Refer to product installation guides at andersenwindows.com.
- Dimensions in parentheses are in millimeters.

COMPLEMENTARY CURVED TOP PATIO DOORS

Complementary Arch Outswing Patio Door Details – 4 9/16" (116) Jamb Depth

Scale 1 1/2" (38) = 1'-0" (305) – 1:8



- 4 9/16" (116) jamb depth measurement is from backside of installation flange.
- Light-colored areas are parts included with door. Dark-colored areas are additional Andersen® parts required to complete door assembly as shown.
- **Rough openings may need to be increased to allow for use of building wraps, flashing, sill panning, brackets, fasteners or other items. See installation information on pages 288-289.**
- Details are for illustration only and are not intended to represent product installation methods or materials. Refer to product installation guides at andersenwindows.com.
- Dimensions in parentheses are in millimeters.

FOLDING DOORS

Folding Doors

CUSTOM SIZING
in 1/8" (3) increments



SECTION REFERENCE

Styles & Sizes	188
Door Details	189-190
Product Performance.....	269
Warranty.....	290-291

Dimensions in parentheses are in millimeters.

FOLDING DOORS



FEATURES

When closed, these folding patio doors create a stately wall of light. When open, they transform a room into a gateway to the world outside. With standard or custom panel designs, configurations up to 48' (14630) wide and operating modes that let you open the doors from the left, right or center, Andersen® folding doors will impress even the most demanding customers.

Frame

A Heavy-duty extruded aluminum cladding protects the exterior from the elements. Both frame and panels are available with wood exteriors as a special product request.

B The engineered wood frame members are treated with a water-repellent wood preservative for long-lasting* protection and performance.

Panel

The aluminum-clad panel has a dual weatherstrip design at the bottom and along the panel edges, providing a weathertight seal. Available in traditional style with two bottom rail heights of 8" (203) and 12" (305) and a contemporary style with 4 11/16" (119) stiles and rails.

Sill

Three sill options are available:

C The on-floor drainage sill offers a PG30 rating for sizes up to 24' (7315) wide and 10' (3048) tall and PG35 rating for sizes up to 24' (7315) wide and 8' (2438) tall, available in painted gray or dark bronze.

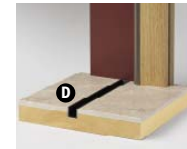
D The flush sill option places the track even with the finished floor.

E The on-floor low-threshold sill option provides easy accessibility. Available in painted gray or dark bronze.

On-Floor Drainage Sill



Flush Sill



On-Floor Low-Threshold Sill



Exterior Finish

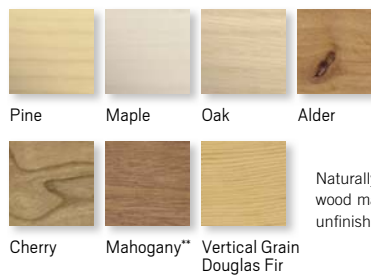
The aluminum exterior frame and clad panels feature a durable, low-maintenance AAMA 2605 finish.

EXTERIOR Additional colors available.

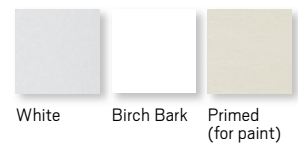


INTERIOR

WOOD SPECIES



PAINTED OPTIONS



Naturally occurring variations in grain, color and texture of wood make each door one-of-a-kind. All wood interiors are unfinished unless a painted option is specified.

HARDWARE FINISHES



Distressed bronze and oil rubbed bronze are "living" finishes that will change with time and use.

HARDWARE OPTIONS[†] *Bold name denotes finish shown.*



YUMA®
Distressed Bronze
Distressed Nickel

ENCINO®
Distressed Bronze
Distressed Nickel

ANVERS®
Bright Brass
Oil Rubbed Bronze
Satin Nickel

NEWBURY®
Antique Brass
Bright Brass
Brushed Chrome
Oil Rubbed Bronze
Polished Chrome
Satin Nickel

COVINGTON™
Antique Brass
Bright Brass
Oil Rubbed Bronze

WHITMORE®
Antique Brass
Bright Brass
Oil Rubbed Bronze
Satin Nickel

ALBANY
Black
Gold Dust
Stone
White

TRIBECA®
Stone
White

* Visit andersenwindows.com/warranty for details.

** Actual wood is Sapele, a non-endangered species of mahogany, grown in Africa, with color and characteristics similar to American mahoganies.

† Hardware sold separately.

Dimensions in parentheses are in millimeters.

Printing limitations prevent exact duplication of colors and finishes. See your Andersen supplier for actual color and finish samples.

Tribeca and Albany hardware are zinc diecast with powder-coated durable finish. Other hardware is solid forged brass. Mix-and-match interior and exterior style and finish options are available. Bright brass and satin nickel finishes feature a 10-year limited warranty.

Glass

Panels are silicone bed glazed and finished with an interior wood stop.

High-Performance glass options include:

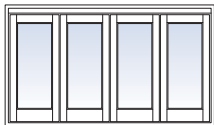
- Low-E4® tempered glass
- Low-E4 HeatLock® tempered glass
- Low-E4 Sun tempered glass
- Low-E4 SmartSun™ tempered glass
- Low-E4 SmartSun HeatLock tempered glass

Additional glass options are available. Contact your Andersen supplier.

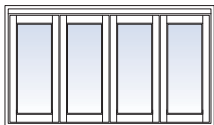
A removable translucent film helps shield the glass from damage during delivery and construction and simplifies finishing at the jobsite.

Panel Styles

Available in two traditional styles with bottom rail heights of 8" (203) and 12" (305) and a contemporary style with equal stiles and rails.



Traditional, 8" (203) Bottom Rail



Contemporary

Hardware

Multi-Point Locking System



The folding door has a multi-point locking system with a hook bolt above and below the center deadbolt along with flush bolts on the non-active panels that lock into the head and sill. This system provides a weathertight seal and enhanced security. The flush bolts and pull handles are available in a matte black or satin stainless steel finish.

Pull Handle



Flush Bolt



ACCESSORIES Sold Separately

Frame

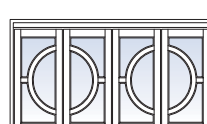
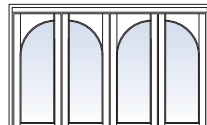
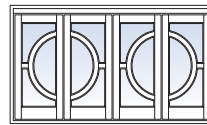
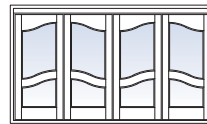
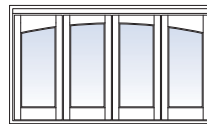
Extension Jamb

Standard jamb depth is 6 5/16" (167). Interior extension jamb are available in 1/16" (1.5) increments between 5 1/16" (129) and 12" (305).

Custom Panels*

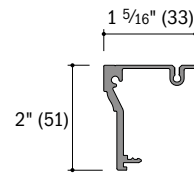
Rectangular panels are available with virtually any design. See your Andersen supplier for details.

Custom Panel Examples



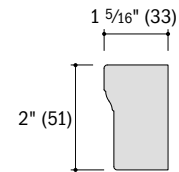
Exterior Trim

Aluminum Brick Mould



Aluminum brick mould is optional for clad folding doors.

Wood Brick Mould



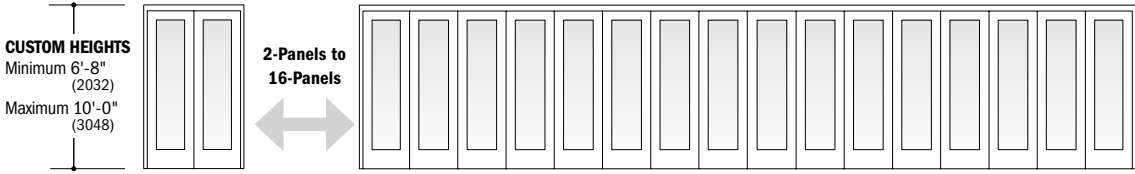
Wood brick mould is pre-applied and comes standard on wood folding doors.

* Custom panels utilize a different product design that includes the use of a proud glazing bead. Dimensions in parentheses are in millimeters.

FOLDING DOORS

Folding Door Styles and Sizes

Scale 1/8" (3) = 1'-0" (305) – 1:96



CUSTOM WIDTHS

Number of Panels	Minimum to Maximum	Number of Panels	Minimum to Maximum	Number of Panels	Minimum to Maximum
2-Panel	3'-2 1/4" (972) to 6'-8 1/8" (2035)	7-Panel	10'-9 1/4" (3283) to 22'-11 7/8" (7007)	12-Panel	18'-5 1/8" (5617) to 39'-4 1/8" (11992)
3-Panel	4'-8 5/8" (1438) to 9'-11 1/4" (3029)	8-Panel	12'-4 1/2" (3772) to 26'-3 1/8" (8004)	13-Panel	19'-10 1/4" (6052) to 42'-7 1/8" (12983)
4-Panel	6'-3 7/8" (1927) to 13'-2 1/4" (4020)	9-Panel	13'-9 3/8" (4207) to 29'-6 1/2" (9004)	14-Panel	21'-5 3/8" (6537) to 45'-10 1/2" (13983)
5-Panel	7'-9" (2362) to 16'-5 5/8" (5020)	10-Panel	15'-4 3/4" (4693) to 32'-9 7/8" (10004)	15-Panel	22'-10 1/4" (6966) to 48'-0" (14630)
6-Panel	9'-9 1/8" (2975) to 19'-8 3/4" (6013)	11-Panel	16'-9 7/8" (5128) to 36'-0 3/4" (10992)	16-Panel	24'-4 7/8" (7439) to 48'-0" (14630)

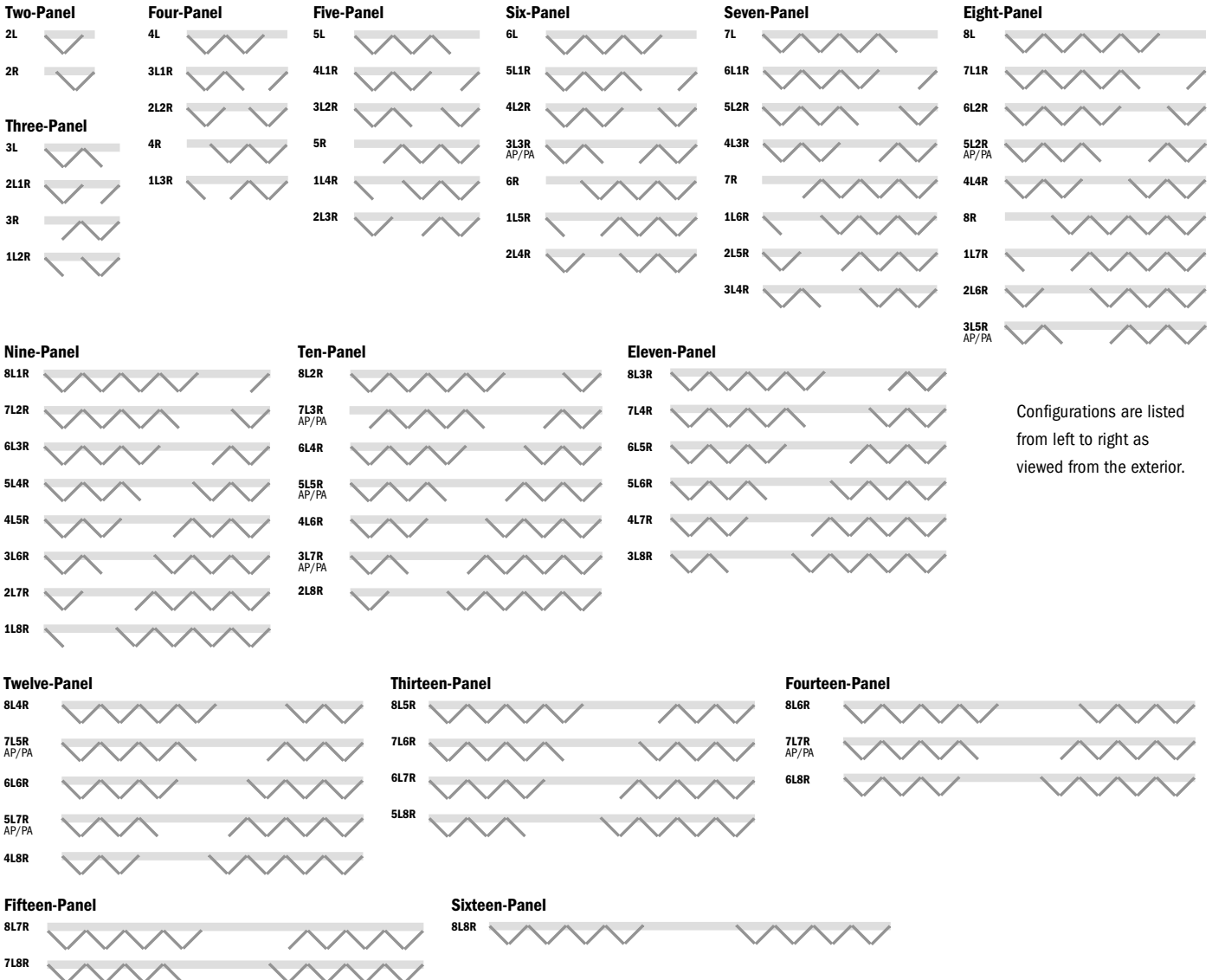
- "Minimum to Maximum" door width dimensions refers to frame to frame dimension.
- Dimensions in parentheses are in millimeters.



Custom sized in 1/8" (3) increments. Contact your Andersen supplier for additional dimensions and specifications.

Doors open to the exterior. Traditional panel shown, see page 187 for additional panel styles.

Panel Configurations



Configurations are listed from left to right as viewed from the exterior.

Design Criteria

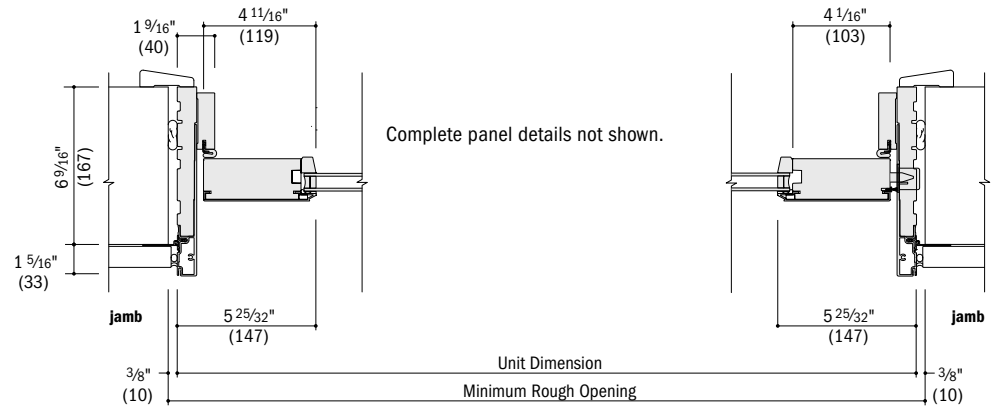
To allow for proper performance and operation, verify the structural integrity of the header such that the maximum deflection with live and dead loads is limited to the lesser of L/750 of the span and 1/4" (6). The maximum weight per panel with Low-E4*, SmartSun™ or Sun glass is 200 pounds or 90 kg. Weights using alternate glazings will need to be provided by Andersen.

Construction

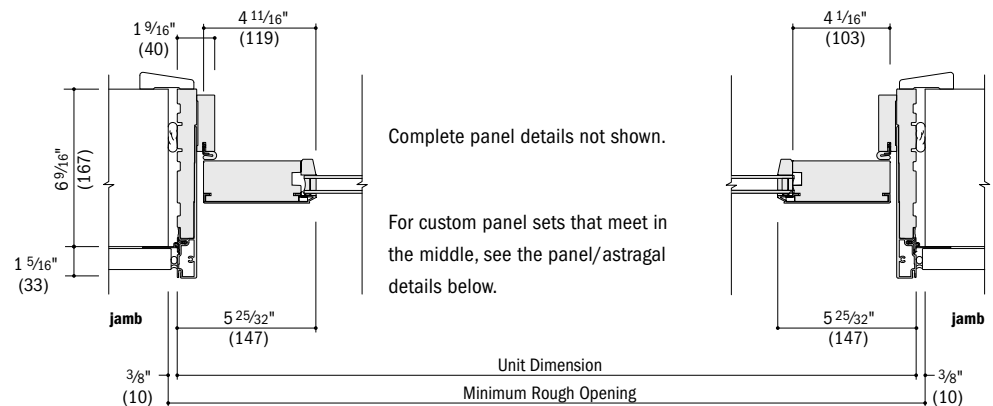
The standard construction of the folding door is an aluminum clad exterior with a rich wood interior. Clad folding door details are shown. Wood folding doors are also available, visit andersenwindows.com/foldingdoors for more information.

Folding Doors - Traditional/Contemporary Panel Details

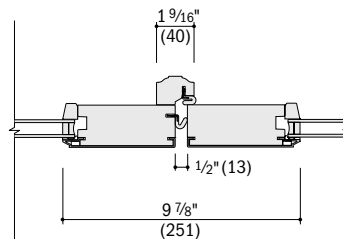
Scale 1 1/2" (38) = 1'-0" (305) – 1:8



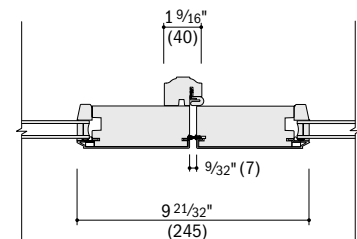
Horizontal Section
Stationary Jamb/Operating Jamb



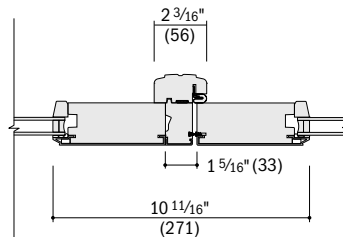
Horizontal Section
Stationary Jamb/Stationary Jamb



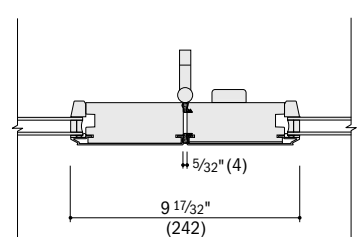
Horizontal Section
Astragal, Leading/Leading



Horizontal Section
Astragal, Leading/Active



Horizontal Section
Astragal, Passive/Active



Horizontal Section
Hinge

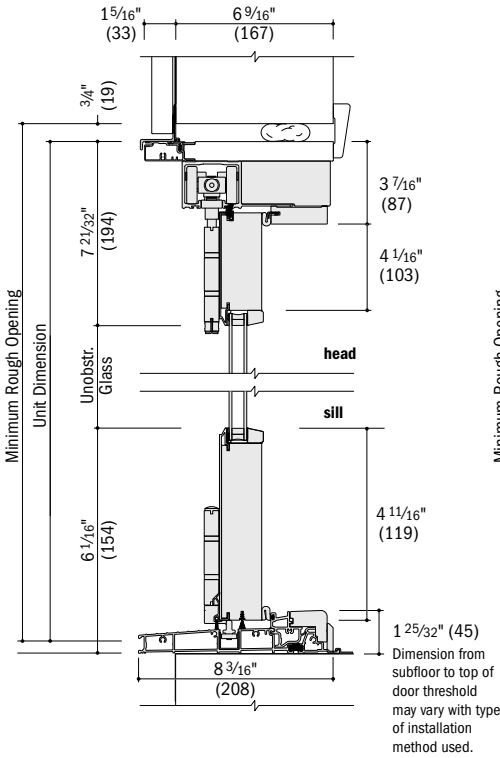
- 6 9/16" (167) jamb depth measurement is from backside of installation flange to inside edge of door frame.
- Light-colored areas are included with the door unit. Dark-colored areas are additional Andersen® parts required to complete door assembly as shown and must be specified.
- Rough openings may need to be increased to allow for use of building wraps, flashing, sill panning, brackets, fasteners or other items. See installation information on pages 288-289.
- Details are for illustration only and are not intended to represent complete or appropriate product installation methods or materials for application. Refer to product installation guide.
- Dimensions in parentheses are in millimeters.
- Clad folding door details are shown. Wood folding door details are available at andersenwindows.com/foldingdoors.

Folding Doors

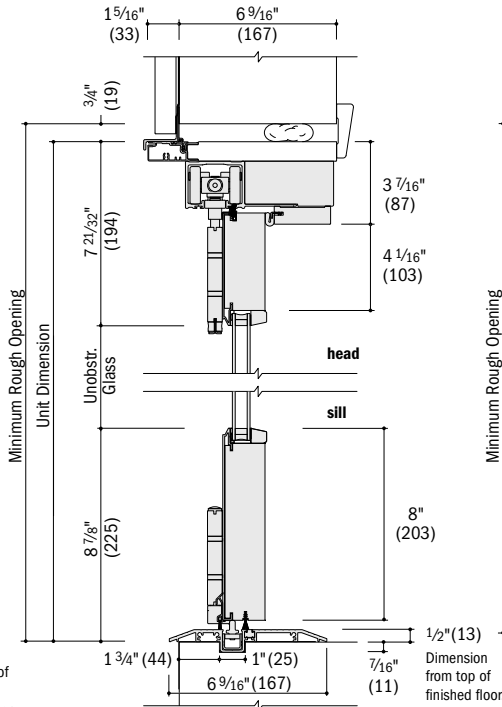
FOLDING DOORS

Folding Doors - Traditional Panel Details

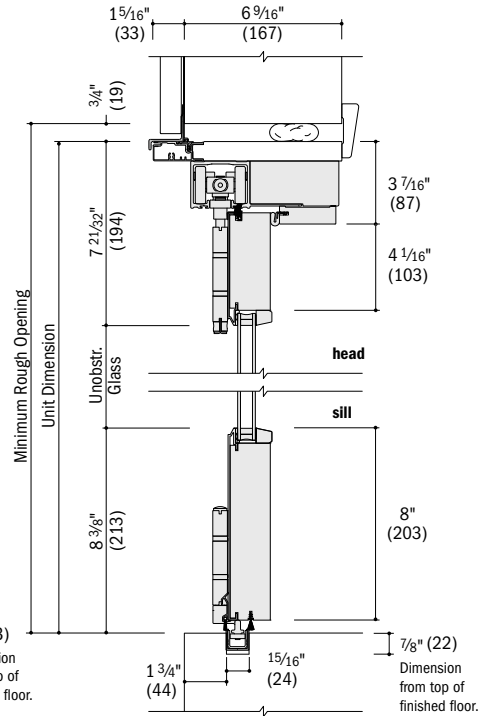
Scale 1 1/2" (38) = 1'-0" (305) - 1:8



Vertical Section
Traditional Panel, On-Floor Drainage Sill



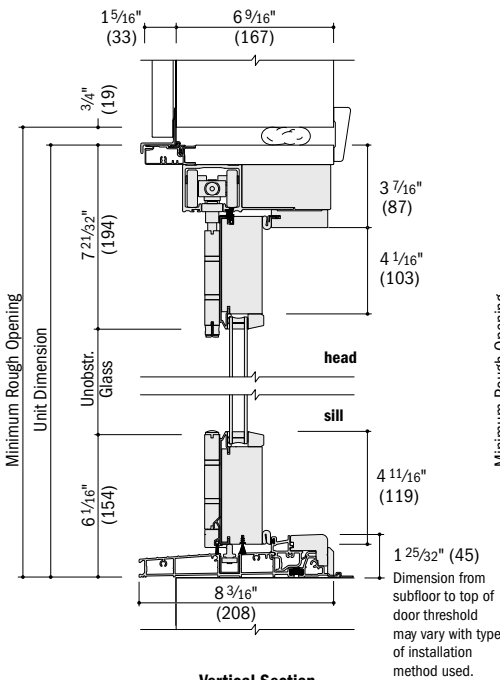
Vertical Section
Traditional Panel, On-Floor Low-Threshold Sill



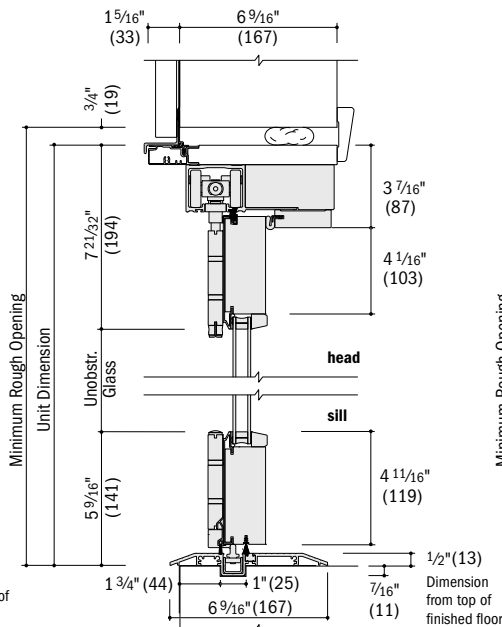
Vertical Section
Traditional Panel, Flush Sill (track-in-floor)

Folding Doors - Contemporary Panel Details

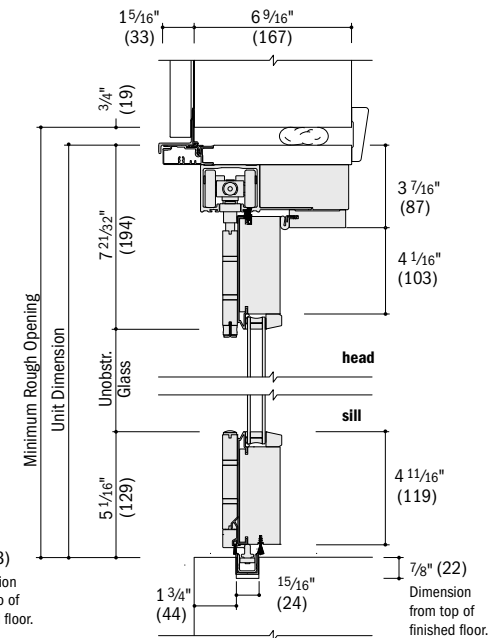
Scale 1 1/2" (38) = 1'-0" (305) - 1:8



Vertical Section
Contemporary Panel, On-Floor Drainage Sill



Vertical Section
Contemporary Panel, On-Floor Low-Threshold Sill



Vertical Section
Contemporary Panel, Flush Sill (track-in-floor)

- 6 9/16" (167) jamb depth measurement is from backside of installation flange to inside edge of door frame.
- Light-colored areas are included with the door unit. Dark-colored areas are additional Andersen® parts required to complete door assembly as shown and must be specified.
- **Rough openings may need to be increased to allow for use of building wraps, flashing, sill panning, brackets, fasteners or other items. See installation information on pages 288-289.**
- Details are for illustration only and are not intended to represent complete or appropriate product installation methods or materials for application. Refer to product installation guide.
- Dimensions in parentheses are in millimeters.
- Clad folding door details are shown. Wood folding door details are available at andersenwindows.com/foldingdoors.

ENTRANCEWAYS

Entranceways

SECTION REFERENCE

Residential Springline™ Entry Doors

Door Dimensions & Specifications	193
Door Details	194-195

Residential Arch & Rectangular Entry Doors

Door & Sidelight Dimensions & Specifications	196-199
Door & Sidelight Details.....	200-202
Joining Details.....	203

Entry Door Transoms

Transom Dimensions & Specifications	204-205
Transom Details & Joining Details	205-206

Commercial Outswing Entry Doors 207 |

Door & Sidelight Dimensions & Specifications	208-210
Door & Sidelight Details.....	211

Product Performance.....	269
Warranty.....	290-291

Dimensions in parentheses are in millimeters.

CUSTOM SIZING
in 1/8" (3) increments



RESIDENTIAL ENTRY DOORS

FEATURES

Frame

A Heavy-duty extruded aluminum cladding protects the frame exterior, providing low-maintenance durability. Standard cladding finish meets AAMA 2604. An optional finish that meets the AAMA 2605 standard is also available.

Installation flange extends 1 1/2" (38) around three sides of the unit to help properly position the unit in the opening. Installation clips are standard for increased structural anchoring to building members. Mounted around the frame perimeter, the clips rotate into position and can be bent into place against the framing members to suit all jamb conditions.

B Wood frame members are treated with a water-repellent wood preservative for long-lasting protection and performance. Radii are made of laminated continuous veneers. Lineal components are engineered wood with a pine core.

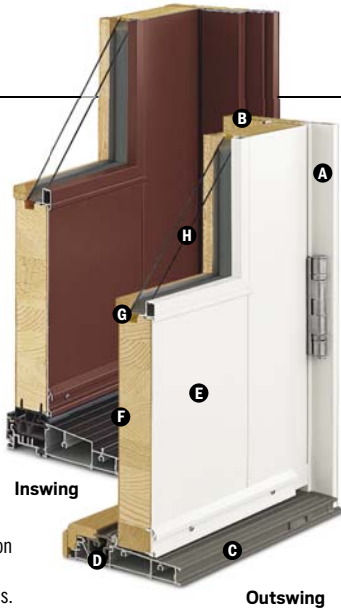
C Extruded aluminum sill is thermally broken and available in painted bronze or gray finish. Innovative sill design provides superior water management. Standard outswing sills have an oak cap. Maple or mahogany are optional. Inswing sills have an interior wood trim strip to match the interior finish.

D One-piece compression weatherstripping at the frame sides and head protects against air and water infiltration. Flexible thermoplastic sweep is featured at the bottom of the panel on inswing units. Outswing doors also feature a polypropylene rain skirt at the panel sides and top for added protection.

Panel

E Heavy-duty extruded aluminum cladding protects the panel exterior, providing low-maintenance durability. Panels also available without cladding.

F Panel interior surfaces are unfinished wood veneers. Available species are pine, maple, oak, alder, cherry, mahogany and vertical grain douglas fir.



G Silicone glazing bead combined with two-sided silicone tape provides superior weathertightness.

Glass

H High-Performance glass options include: Low-E4[®] tempered glass, Low-E4 HeatLock[®] tempered glass, Low-E4 Sun tempered glass, Low-E4 SmartSun[™] tempered glass, Low-E4 SmartSun HeatLock tempered glass. Additional glass options are available. Contact your Andersen supplier.

A removable translucent film helps shield the glass from damage during delivery and construction and simplifies finishing at the jobsite.

Hardware

Multi-Point Locking System/Expanded Offering

Residential entry doors have a multi-point locking option with a hook bolt above and below the center deadbolt. This system provides a weathertight seal and enhanced security. Mix-and-match style and finish options are available to get just the right look inside and out. For style and finish options, see pages 14-15.

Hinges

Ball-bearing hinges are standard on outswing entry doors and are available in stainless steel, dark bronze and white finishes to complement hardware trim sets.

Adjustable hinges are standard on inswing entry doors and have ball-bearing pivots for smooth, frictionless movement. Features easy horizontal and vertical adjustment, plus quick-release feature for easy panel removal. This feature is ideal for transporting large units up stairs or to other hard-to-reach areas.

Gold dust finish is standard on wood interior doors. For units with a prefinished White interior, white finish hinges are standard. Also available in finishes that coordinate with hardware.

Aftermarket Hardware

For hardware purchased separately, doors can be ordered predrilled for easy on-site installation. They can also be specified without hardware drilling.

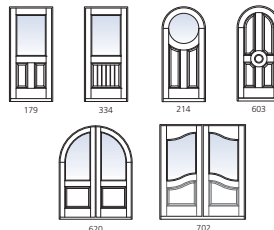
Operation

Inswing and outswing units are available. Choose left-hinged, right-hinged or stationary as viewed from the exterior.

Sill

A low-profile commercial sill is also available. See page 207 for more details.

Panel Designs



For additional panel design ideas, visit andersenwindows.com/entrydoors.

ACCESSORIES Sold Separately

Frame

Extension Jamb

Inswing and outswing standard jamb depth is 4 9/16" (116). Inswing is also available in a 6 9/16" (167) jamb depth. Interior extension jamba are available in 1/16" (1.5) increments between 4 9/16" (116) and 7 1/8" (181). Additional dimensions are available. Contact your Andersen supplier for more information.

Interior extension jamba on inswing units will restrict the full opening of the door.

Casings

Curved interior casings are available in the same profiles as other Andersen[®] products. Curved exterior aluminum and wood casings are available in matching radii and a variety of profiles.

Hardware

Handle Extension

Handle extensions extend interior door handles an additional 1" (25) from the door panel to accommodate interior blinds or shades. A second extender may be added to the spindle to increase the length an additional 1" (25) to a 2" (51) total extension. Extenders and spindles are sold separately. Extenders are available in finishes that coordinate with hardware.

Exterior Keyed Lock

A six-pin key cylinder lock is available in styles and finishes that coordinate with hardware. This lock allows the door to be locked and unlocked from the exterior.

Hardware Options[†]

See pages 14-15 for hardware styles and finish options, including new FSB[®] hardware.

Grilles

Grilles are available in a variety of configurations and widths.

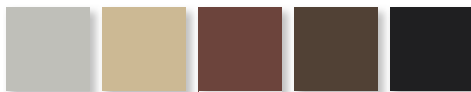
Art Glass

Decorative insulated art glass designs are available.

EXTERIOR



White Canvas Sandtone Terratone Forest Green Dark Bronze



Dove Gray Prairie Grass Red Rock Cocoa Bean Black

* Visit andersenwindows.com/warranty for details.

** Actual wood is Sapele, a non-endangered species of mahogany, grown in Africa, with color and characteristics similar to American mahoganies.

† Hardware sold separately.

"FSB" is a registered trademark of Franz Schneider Brakel GmbH & Co.

EXTERIOR / INTERIOR

WOOD SPECIES (Additional species available)



Pine Maple Oak Alder



Cherry Mahogany** Vertical Grain Douglas Fir

Naturally occurring variations in grain, color and texture of wood make each door one-of-a-kind. All wood interiors are unfinished unless a painted option is specified.

INTERIOR

PAINTED OPTIONS

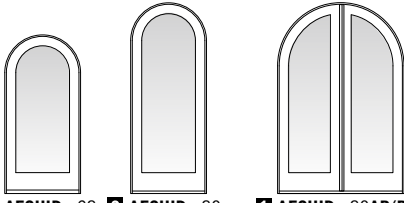


White Birch Bark Primed (for paint)



Dark Bronze Black

Dimensions in parentheses are in millimeters. Printing limitations prevent exact duplication of colors and finishes. See your Andersen supplier for actual color and finish samples.



1 AESHIDxx68 **2** AESHIDxx80 **1** AESHIDxx80AP/PA



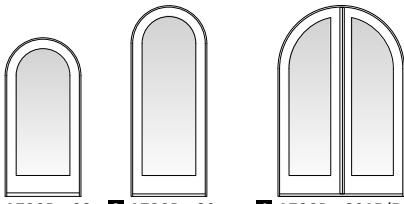
Custom-size doors are available in 1/8" (3) increments.

Available in custom designed panels, see page 192. Stationary doors are also available (i.e. AESHID3080S or AESHID4080SS).

Springline™ Inswing Entry Door Dimensions and Specifications

Door Number	Number of Panels Open*	Door Dimensions				Min. Rough Opening		Clear Opening Area Sq. Ft./ (m ²)	Clear Opening Maximums			Vent Area Sq. Ft./ (m ²)	Overall Door Area Sq. Ft./ (m ²)
		Radius Inches/(mm)	Shoulder Height Inches/(mm)	Width Inches/(mm)	Height Inches/(mm)	Width Inches/(mm)	Height Inches/(mm)		90° Width Inches/(mm)	Full Width Inches/(mm)	Height Inches/(mm)		
AESHID3068	1	18 1/8" (479)	63 1/8" (1603)	37 11/16" (957)	82" (2083)	38 3/16" (970)	82 1/2" (2096)	14.92 (1.39)	32 13/16" (833)	34 7/8" (886)	61 5/8" (1565)	18.25 (1.70)	20.41 (1.90)
AESHID3668	1	21 7/8" (556)	60 1/8" (1527)	43 11/16" (1110)	82" (2083)	44 3/16" (1122)	82 1/2" (2096)	16.64 (1.55)	38 13/16" (986)	40 7/8" (1038)	58 5/8" (1489)	21.21 (1.97)	23.46 (2.18)
AESHID3080	1	18 7/8" (479)	76 1/8" (1934)	37 11/16" (957)	95" (2413)	38 3/16" (970)	95 1/2" (2426)	18.07 (1.68)	32 13/16" (833)	34 7/8" (886)	74 5/8" (1895)	21.40 (1.99)	23.81 (2.21)
AESHID3680	1	21 7/8" (556)	73 1/8" (1857)	43 11/16" (1110)	95" (2413)	44 3/16" (1122)	95 1/2" (2426)	20.33 (1.89)	38 13/16" (986)	40 7/8" (1038)	71 5/8" (1819)	24.90 (2.31)	27.40 (2.55)
AESHID4080	2	25 3/8" (645)	69 5/8" (1768)	50 3/4" (1289)	95" (2413)	51 1/4" (1302)	95 1/2" (2426)	22.68 (2.11)	43 13/16" (1113)	47 15/16" (1218)	68 1/8" (1730)	28.95 (2.69)	31.56 (2.93)
AESHID4080	1	25 3/8" (645)	69 5/8" (1768)	50 3/4" (1289)	95" (2413)	51 1/4" (1302)	95 1/2" (2426)	10.85 (1.01)	20 7/8" (530)	22 15/16" (583)	68 1/8" (1730)	13.79 (1.28)	31.56 (2.93)
AESHID5080	2	31 3/8" (797)	63 5/8" (1616)	62 3/4" (1594)	95" (2413)	63 1/4" (1607)	95 1/2" (2426)	25.86 (2.40)	55 13/16" (1418)	59 15/16" (1522)	62 1/8" (1578)	35.66 (3.31)	38.46 (3.57)
AESHID5080	1	31 3/8" (797)	63 5/8" (1616)	62 3/4" (1594)	95" (2413)	63 1/4" (1607)	95 1/2" (2426)	12.48 (1.16)	26 3/8" (683)	28 15/16" (735)	62 1/8" (1578)	17.14 (1.59)	38.46 (3.57)
AESHID5480	2	33 3/8" (848)	61 3/8" (1565)	66 3/4" (1695)	95" (2413)	67 1/4" (1708)	95 1/2" (2426)	26.70 (2.48)	59 13/16" (1519)	63 15/16" (1624)	60 1/8" (1527)	37.85 (3.52)	40.72 (3.78)
AESHID5480	1	33 3/8" (848)	61 3/8" (1565)	66 3/4" (1695)	95" (2413)	67 1/4" (1708)	95 1/2" (2426)	12.92 (1.20)	28 7/8" (733)	30 15/16" (786)	60 1/8" (1527)	18.24 (1.69)	40.72 (3.78)
AESHID6080	2	37 3/8" (949)	57 5/8" (1464)	74 3/4" (1899)	95" (2413)	75 1/4" (1911)	95 1/2" (2426)	28.04 (2.60)	67 13/16" (1722)	71 15/16" (1827)	56 1/8" (1426)	42.15 (3.92)	45.15 (4.19)
AESHID6080	1	37 3/8" (949)	57 5/8" (1464)	74 3/4" (1899)	95" (2413)	75 1/4" (1911)	95 1/2" (2426)	13.62 (1.27)	32 7/8" (835)	34 15/16" (887)	56 1/8" (1426)	20.39 (1.89)	45.15 (4.19)
AESHID7080	2	43 3/8" (1102)	51 5/8" (1311)	86 3/4" (2203)	95" (2413)	87 1/4" (2216)	95 1/2" (2426)	29.22 (2.71)	79 13/16" (2027)	83 15/16" (2132)	50 1/8" (1273)	48.43 (4.50)	51.62 (4.80)
AESHID7080	1	43 3/8" (1102)	51 5/8" (1311)	86 3/4" (2203)	95" (2413)	87 1/4" (2216)	95 1/2" (2426)	14.25 (1.32)	38 7/8" (987)	40 15/16" (1040)	50 1/8" (1273)	23.53 (2.19)	51.62 (4.80)

- * "Door Dimension" always refers to outside frame to frame dimension.
- * "Minimum Rough Opening" dimensions may need to be increased to allow for use of building wraps, flashing, sill panning, brackets, fasteners or other items. See pages 288-289 for more details.
- * Dimensions in parentheses are in millimeters or square meters.
- * For two-panel patio doors with one panel open, clear opening is based on active panel being open and passive panel being closed.



1 AESODxx68 **2** AESODxx80 **1** AESODxx80AP/PA



Custom-size doors are available in 1/8" (3) increments.

Available in custom designed panels, see page 192. Stationary doors are also available (i.e. AESOD3080S or AESOD4080SS).

Springline™ Outswing Entry Door Dimensions and Specifications

Door Number	Number of Panels Open*	Door Dimensions				Min. Rough Opening		Clear Opening Area Sq. Ft./ (m ²)	Clear Opening Maximums			Vent Area Sq. Ft./ (m ²)	Overall Door Area Sq. Ft./ (m ²)
		Radius Inches/(mm)	Shoulder Height Inches/(mm)	Width Inches/(mm)	Height Inches/(mm)	Width Inches/(mm)	Height Inches/(mm)		90° Width Inches/(mm)	Full Width Inches/(mm)	Height Inches/(mm)		
AESOD3068	1	18 1/8" (479)	63 1/8" (1603)	37 11/16" (957)	82" (2083)	38 3/16" (970)	82 1/2" (2096)	15.01 (1.39)	33 1/8" (841)	35 1/16" (891)	61 5/8" (1565)	18.34 (1.70)	20.41 (1.90)
AESOD3668	1	21 7/8" (556)	60 1/8" (1527)	43 11/16" (1110)	82" (2083)	44 3/16" (1122)	82 1/2" (2096)	16.72 (1.55)	39 1/8" (994)	41 1/16" (1043)	58 5/8" (1489)	21.29 (1.98)	23.46 (2.18)
AESOD3080	1	18 7/8" (479)	76 1/8" (1934)	37 11/16" (957)	95" (2413)	38 3/16" (970)	95 1/2" (2426)	18.17 (1.69)	33 1/8" (841)	35 1/16" (891)	74 5/8" (1895)	21.50 (2.00)	23.81 (2.21)
AESOD3680	1	21 7/8" (556)	73 1/8" (1857)	43 11/16" (1110)	95" (2413)	44 3/16" (1122)	95 1/2" (2426)	20.42 (1.90)	39 1/8" (994)	41 1/16" (1043)	71 5/8" (1819)	25.00 (2.32)	27.40 (2.55)
AESOD4080	2	25 3/8" (645)	69 5/8" (1768)	50 3/4" (1289)	95" (2413)	51 1/4" (1302)	95 1/2" (2426)	22.77 (2.12)	44 3/16" (1122)	48 1/8" (1222)	68 1/8" (1730)	29.04 (2.70)	31.56 (2.93)
AESOD4080	1	25 3/8" (645)	69 5/8" (1768)	50 3/4" (1289)	95" (2413)	51 1/4" (1302)	95 1/2" (2426)	10.88 (1.01)	21" (533)	23" (584)	68 1/8" (1730)	13.79 (1.28)	31.56 (2.93)
AESOD5080	2	31 3/8" (797)	63 5/8" (1616)	62 3/4" (1594)	95" (2413)	63 1/4" (1607)	95 1/2" (2426)	25.94 (2.41)	56 3/16" (1427)	60 1/8" (1527)	62 1/8" (1578)	35.74 (3.32)	38.46 (3.57)
AESOD5080	1	31 3/8" (797)	63 5/8" (1616)	62 3/4" (1594)	95" (2413)	63 1/4" (1607)	95 1/2" (2426)	12.51 (1.16)	27" (686)	29" (737)	62 1/8" (1578)	17.14 (1.59)	38.46 (3.57)
AESOD5480	2	33 3/8" (848)	61 3/8" (1565)	66 3/4" (1695)	95" (2413)	67 1/4" (1708)	95 1/2" (2426)	26.77 (2.49)	60 3/16" (1529)	64 1/8" (1629)	60 1/8" (1527)	37.92 (3.52)	40.72 (3.78)
AESOD5480	1	33 3/8" (848)	61 3/8" (1565)	66 3/4" (1695)	95" (2413)	67 1/4" (1708)	95 1/2" (2426)	12.94 (1.20)	29" (737)	31" (787)	60 1/8" (1527)	18.24 (1.69)	40.72 (3.78)
AESOD6080	2	37 3/8" (949)	57 5/8" (1464)	74 3/4" (1899)	95" (2413)	75 1/4" (1911)	95 1/2" (2426)	28.11 (2.61)	68 3/16" (1732)	72 1/8" (1832)	56 1/8" (1426)	42.23 (3.92)	45.15 (4.19)
AESOD6080	1	37 3/8" (949)	57 5/8" (1464)	74 3/4" (1899)	95" (2413)	75 1/4" (1911)	95 1/2" (2426)	13.64 (1.27)	33" (838)	35" (889)	56 1/8" (1426)	20.39 (1.89)	45.15 (4.19)
AESOD7080	2	43 3/8" (1102)	51 5/8" (1311)	86 3/4" (2203)	95" (2413)	87 1/4" (2216)	95 1/2" (2426)	29.28 (2.72)	80 3/16" (2037)	84 1/8" (2137)	50 1/8" (1273)	48.50 (4.51)	51.62 (4.80)
AESOD7080	1	43 3/8" (1102)	51 5/8" (1311)	86 3/4" (2203)	95" (2413)	87 1/4" (2216)	95 1/2" (2426)	14.27 (1.33)	39" (991)	41" (1041)	50 1/8" (1273)	23.53 (2.19)	51.62 (4.80)

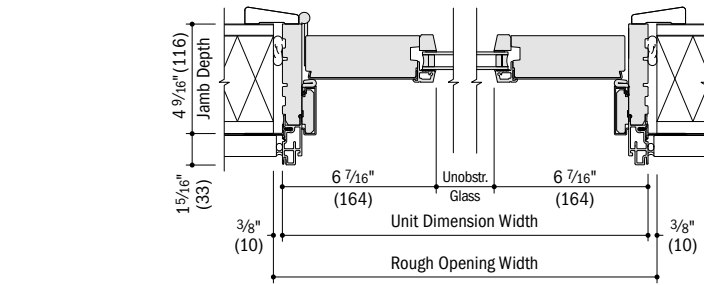
- * "Door Dimension" always refers to outside frame to frame dimension.
- * "Minimum Rough Opening" dimensions may need to be increased to allow for use of building wraps, flashing, sill panning, brackets, fasteners or other items. See pages 288-289 for more details.
- * Dimensions in parentheses are in millimeters or square meters.
- * For two-panel patio doors with one panel open, clear opening is based on active panel being open and passive panel being closed.

Entranceways

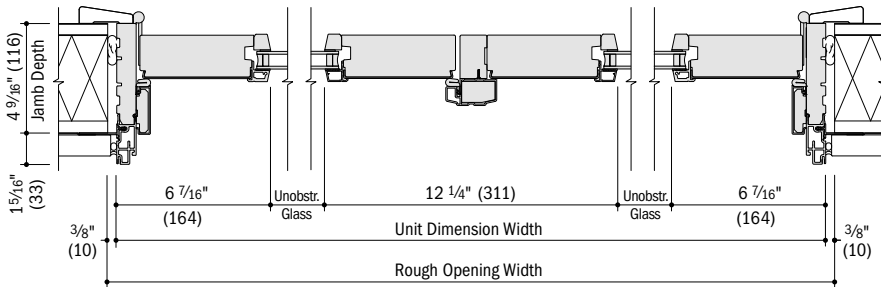
RESIDENTIAL ENTRY DOORS

Springline™ Inswing Entry Door Details – 4 9/16" (116) Jamb Depth

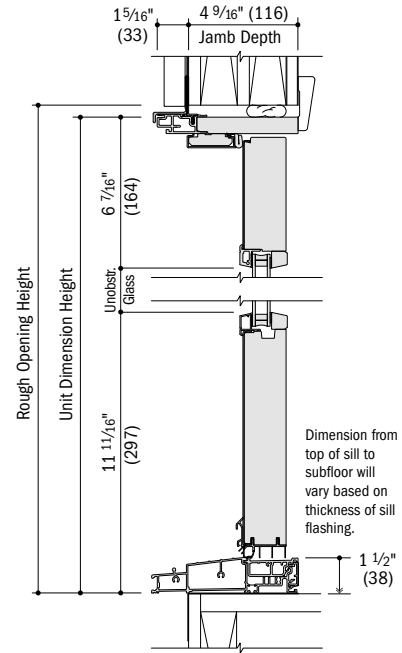
Scale 1 1/2" (38) = 1'-0" (305) – 1:8



Horizontal Section



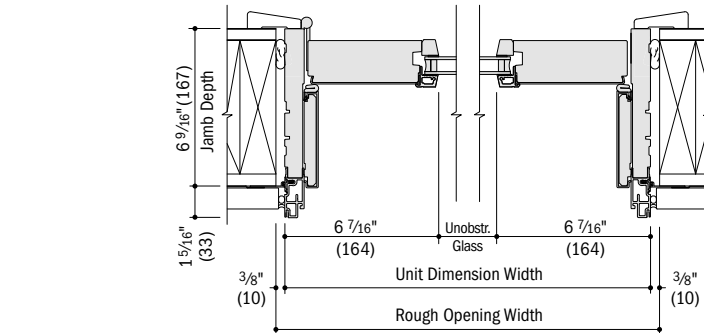
Horizontal Section
Two-Panel



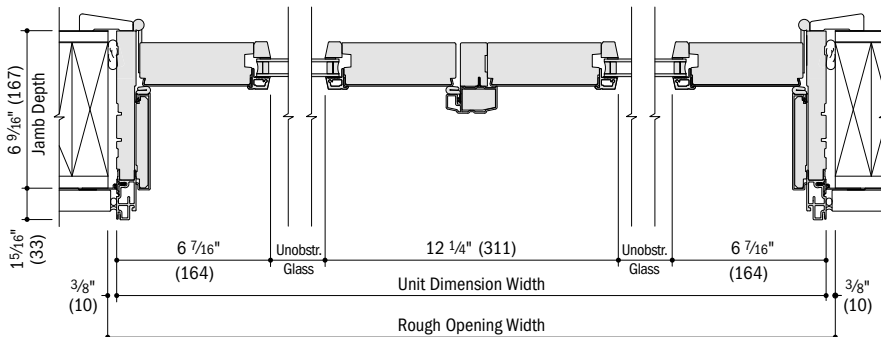
Vertical Section

Springline™ Inswing Entry Door Details – 6 9/16" (167) Jamb Depth

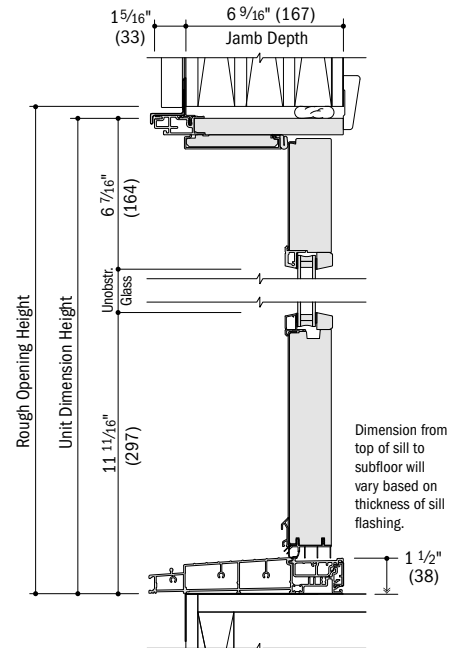
Scale 1 1/2" (38) = 1'-0" (305) – 1:8



Horizontal Section



Horizontal Section
Two-Panel

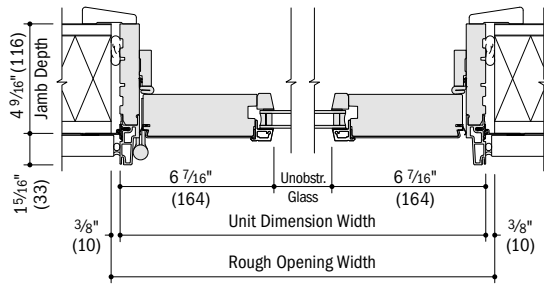


Vertical Section

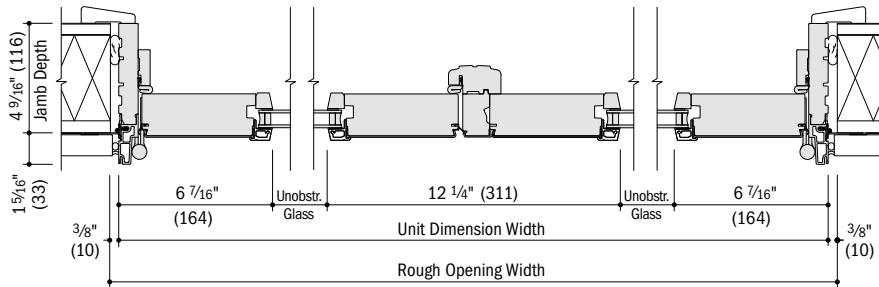
- 4 9/16" (116) and 6 9/16" (167) jamb depth measurements are from backside of installation flange.
- Light-colored areas are parts included with door. Dark-colored areas are additional Andersen® parts required to complete door assembly as shown.
- **Rough openings may need to be increased to allow for use of building wraps, flashing, sill panning, brackets, fasteners or other items. See installation information on pages 288-289.**
- Details are for illustration only and are not intended to represent product installation methods or materials. Refer to product installation guides at andersenwindows.com.
- Dimensions in parentheses are in millimeters.
- Clad details shown, wood also available.

Springline™ Outswing Entry Door Details – 4 9/16" (116) Jamb Depth

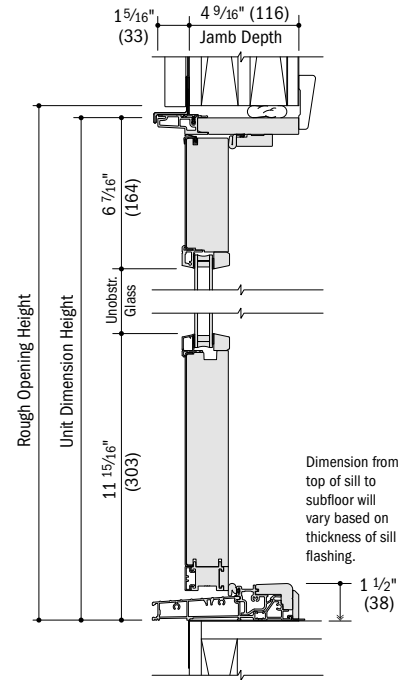
Scale 1 1/2" (38) = 1'-0" (305) – 1:8



Horizontal Section



**Horizontal Section
 Two-Panel**



Vertical Section

Dimension from top of sill to subfloor will vary based on thickness of sill flashing.

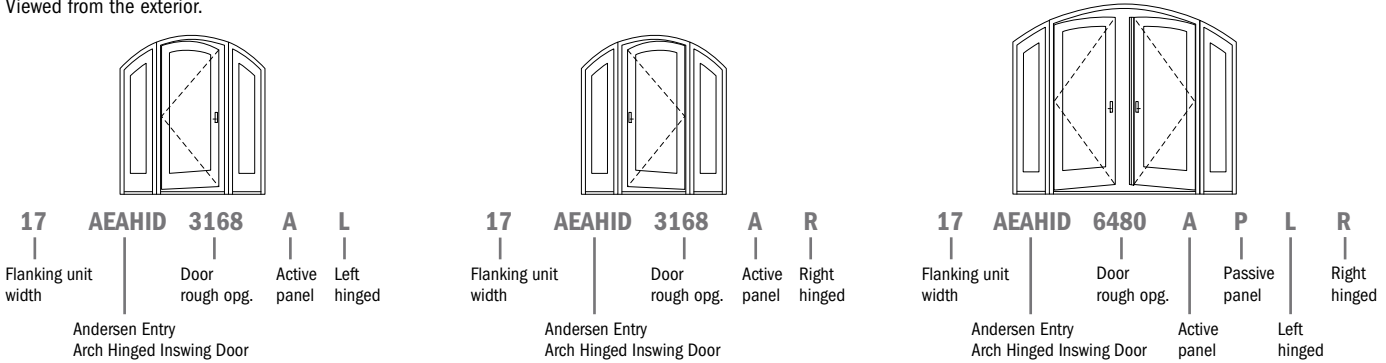
Entranceways

- 4 9/16" (116) jamb depth measurement is from backside of installation flange.
- Light-colored areas are parts included with door. Dark-colored areas are additional Andersen® parts required to complete door assembly as shown.
- **Rough openings may need to be increased to allow for use of building wraps, flashing, sill panning, brackets, fasteners or other items. See installation information on pages 288-289.**
- Details are for illustration only and are not intended to represent product installation methods or materials. Refer to product installation guides at andersenwindows.com.
- Dimensions in parentheses are in millimeters.
- Clad details shown, wood also available.

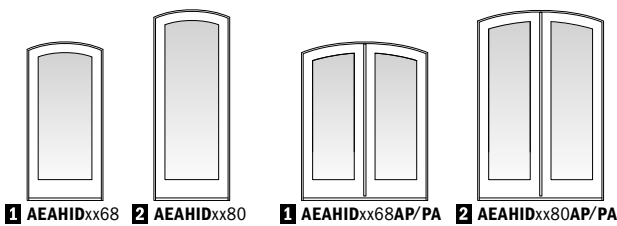
RESIDENTIAL ENTRY DOORS

Order Designation Description

Viewed from the exterior.



Arch inswing entry doors (AEAHID) shown above, for outswing arch entry doors use AEAOD. Outswing entry doors open outward to the exterior.



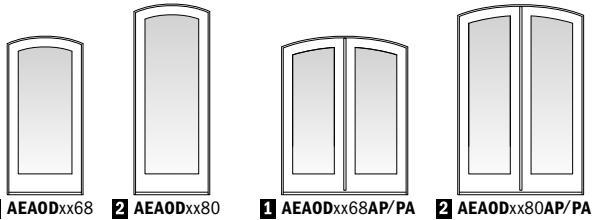
Custom-size doors are available in 1/8" (3) increments.

Available in custom designed panels, see page 192. Stationary doors are also available (i.e. AEAHID2068S or AEAHID4068SS).

Arch Inswing Entry Door Dimensions and Specifications

Door Number	Number of Panels Open*	Door Dimensions				Min. Rough Opening		Clear Opening Area Sq. Ft./ (m ²)	Clear Opening Maximums			Vent Area Sq. Ft./ (m ²)	Overall Door Area Sq. Ft./ (m ²)
		Radius Inches/(mm)	Shoulder Height Inches/(mm)	Width Inches/(mm)	Height Inches/(mm)	Width Inches/(mm)	Height Inches/(mm)		90° Width Inches/(mm)	Full Width Inches/(mm)	Height Inches/(mm)		
AEAHID2068	1	37 1/16" (941)	79 11/16" (2024)	25 11/16" (652)	82" (2083)	26 3/16" (665)	82 1/2" (2096)	12.26 (1.14)	20 13/16" (529)	22 7/8" (581)	77 3/16" (1961)	12.46 (1.16)	14.49 (1.35)
AEAHID2668	1	48" (1219)	79 5/16" (2015)	31 11/16" (805)	82" (2083)	32 3/16" (818)	82 1/2" (2096)	15.39 (1.43)	26 13/16" (681)	28 7/8" (733)	76 3/4" (1949)	15.70 (1.46)	17.85 (1.66)
AEAHID2868	1	48" (1219)	78 15/16" (2005)	33 11/16" (856)	82" (2083)	34 3/16" (868)	82 1/2" (2096)	16.39 (1.52)	28 13/16" (732)	30 7/8" (784)	76 7/16" (1942)	16.77 (1.56)	18.95 (1.76)
AEAHID3068	1	48" (1219)	78 1/8" (1984)	37 11/16" (957)	82" (2083)	38 3/16" (970)	82 1/2" (2096)	18.33 (1.70)	32 13/16" (833)	34 7/8" (886)	75 11/16" (1922)	18.88 (1.75)	21.13 (1.96)
AEAHID3668	1	48" (1219)	76 3/4" (1949)	43 11/16" (1110)	82" (2083)	44 3/16" (1122)	82 1/2" (2096)	21.11 (1.96)	38 13/16" (986)	40 7/8" (1038)	74 3/4" (1889)	22.01 (2.04)	24.36 (2.26)
AEAHID2080	1	37 1/16" (941)	92 11/16" (2354)	25 11/16" (652)	95" (2413)	26 3/16" (665)	95 1/2" (2426)	14.33 (1.33)	20 13/16" (529)	22 7/8" (581)	90 3/16" (2291)	14.53 (1.35)	16.81 (1.56)
AEAHID2680	1	48" (1219)	92 5/16" (2345)	31 11/16" (805)	95" (2413)	32 3/16" (818)	95 1/2" (2426)	18.00 (1.67)	26 13/16" (681)	28 7/8" (733)	89 3/4" (2280)	18.31 (1.70)	20.71 (1.92)
AEAHID2880	1	48" (1219)	91 15/16" (2335)	33 11/16" (856)	95" (2413)	34 3/16" (868)	95 1/2" (2426)	19.18 (1.78)	28 13/16" (732)	30 7/8" (784)	89 1/16" (2272)	19.55 (1.82)	21.99 (2.04)
AEAHID3080	1	48" (1219)	91 1/8" (2315)	37 11/16" (957)	95" (2413)	38 3/16" (970)	95 1/2" (2426)	21.48 (2.00)	32 13/16" (833)	34 7/8" (886)	88 11/16" (2253)	22.03 (2.05)	24.53 (2.28)
AEAHID3680	1	48" (1219)	89 3/4" (2280)	43 11/16" (1110)	95" (2413)	44 3/16" (1122)	95 1/2" (2426)	24.80 (2.30)	38 13/16" (986)	40 7/8" (1038)	87 3/8" (2219)	25.70 (2.39)	28.30 (2.63)
AEAHID4068	2	48" (1219)	74 3/4" (1899)	50 3/4" (1289)	82" (2083)	51 1/4" (1302)	82 1/2" (2096)	24.11 (2.24)	43 13/16" (1113)	47 15/16" (1218)	72 7/16" (1840)	25.61 (2.38)	28.07 (2.61)
AEAHID4068	1	48" (1219)	74 3/4" (1899)	50 3/4" (1289)	82" (2083)	51 1/4" (1302)	82 1/2" (2096)	11.54 (1.07)	20 7/8" (530)	22 15/16" (583)	72 7/16" (1840)	12.22 (1.14)	28.07 (2.61)
AEAHID5068	2	96" (2438)	76 3/4" (1949)	62 3/4" (1594)	82" (2083)	63 1/4" (1607)	82 1/2" (2096)	30.88 (2.87)	55 13/16" (1418)	59 15/16" (1522)	74 3/4" (1884)	32.24 (3.00)	34.97 (3.25)
AEAHID5068	1	96" (2438)	76 3/4" (1949)	62 3/4" (1594)	82" (2083)	63 1/4" (1607)	82 1/2" (2096)	14.91 (1.39)	26 7/8" (683)	28 15/16" (735)	74 3/16" (1884)	15.54 (1.44)	34.97 (3.25)
AEAHID5468	2	96" (2438)	76" (1930)	66 3/4" (1695)	82" (2083)	67 1/4" (1708)	82 1/2" (2096)	32.63 (3.03)	59 13/16" (1519)	63 15/16" (1624)	73 1/2" (1867)	34.29 (3.19)	37.09 (3.45)
AEAHID5468	1	96" (2438)	76" (1930)	66 3/4" (1695)	82" (2083)	67 1/4" (1708)	82 1/2" (2096)	15.79 (1.47)	28 7/8" (733)	30 15/16" (786)	73 1/2" (1867)	16.56 (1.54)	37.09 (3.45)
AEAHID6068	2	96" (2438)	74 7/16" (1891)	74 3/4" (1899)	82" (2083)	75 1/4" (1911)	82 1/2" (2096)	35.94 (3.34)	67 13/16" (1722)	71 15/16" (1827)	71 15/16" (1827)	38.33 (3.56)	41.27 (3.83)
AEAHID6068	1	96" (2438)	74 7/16" (1891)	74 3/4" (1899)	82" (2083)	75 1/4" (1911)	82 1/2" (2096)	17.45 (1.62)	32 7/8" (835)	34 15/16" (887)	71 15/16" (1827)	18.58 (1.73)	41.27 (3.83)
AEAHID7068	2	96" (2438)	71 5/8" (1819)	86 3/4" (2203)	82" (2083)	87 1/4" (2216)	82 1/2" (2096)	40.37 (3.75)	79 13/16" (2027)	83 15/16" (2132)	69 1/4" (1759)	44.22 (4.11)	47.36 (4.40)
AEAHID7068	1	96" (2438)	71 5/8" (1819)	86 3/4" (2203)	82" (2083)	87 1/4" (2216)	82 1/2" (2096)	19.69 (1.83)	38 7/8" (987)	40 15/16" (1040)	69 1/4" (1759)	21.53 (2.00)	47.36 (4.40)
AEAHID4080	2	48" (1219)	87 3/4" (2229)	50 3/4" (1289)	95" (2413)	51 1/4" (1302)	95 1/2" (2426)	28.44 (2.64)	43 13/16" (1113)	47 15/16" (1218)	85 7/16" (2170)	29.94 (2.78)	32.65 (3.03)
AEAHID4080	1	48" (1219)	87 3/4" (2229)	50 3/4" (1289)	95" (2413)	51 1/4" (1302)	95 1/2" (2426)	13.61 (1.26)	20 7/8" (530)	22 15/16" (583)	85 7/16" (2170)	14.29 (1.33)	32.65 (3.03)
AEAHID5080	2	96" (2438)	89 3/4" (2280)	62 3/4" (1594)	95" (2413)	63 1/4" (1607)	95 1/2" (2426)	36.29 (3.37)	55 13/16" (1418)	59 15/16" (1522)	87 3/16" (2215)	37.65 (3.50)	40.64 (3.78)
AEAHID5080	1	96" (2438)	89 3/4" (2280)	62 3/4" (1594)	95" (2413)	63 1/4" (1607)	95 1/2" (2426)	17.52 (1.63)	26 7/8" (683)	28 15/16" (735)	87 3/16" (2215)	18.15 (1.69)	40.64 (3.78)
AEAHID5480	2	96" (2438)	89" (2261)	66 3/4" (1695)	95" (2413)	67 1/4" (1708)	95 1/2" (2426)	38.41 (3.57)	59 13/16" (1519)	63 15/16" (1624)	86 1/2" (2197)	40.07 (3.72)	43.12 (4.01)
AEAHID5480	1	96" (2438)	89" (2261)	66 3/4" (1695)	95" (2413)	67 1/4" (1708)	95 1/2" (2426)	18.58 (1.73)	28 7/8" (733)	30 15/16" (786)	86 1/2" (2197)	19.35 (1.80)	43.12 (4.01)
AEAHID6080	2	96" (2438)	87 7/16" (2221)	74 3/4" (1899)	95" (2413)	75 1/4" (1911)	95 1/2" (2426)	42.43 (3.94)	67 13/16" (1722)	71 15/16" (1827)	84 15/16" (2157)	44.83 (4.16)	48.02 (4.46)
AEAHID6080	1	96" (2438)	87 7/16" (2221)	74 3/4" (1899)	95" (2413)	75 1/4" (1911)	95 1/2" (2426)	20.61 (1.91)	32 7/8" (835)	34 15/16" (887)	84 15/16" (2157)	21.74 (2.02)	48.02 (4.46)
AEAHID7080	2	96" (2438)	84 5/8" (2149)	86 3/4" (2203)	95" (2413)	87 1/4" (2216)	95 1/2" (2426)	47.94 (4.45)	79 13/16" (2027)	83 15/16" (2132)	82 1/4" (2089)	51.80 (4.81)	55.20 (5.13)
AEAHID7080	1	96" (2438)	84 5/8" (2149)	86 3/4" (2203)	95" (2413)	87 1/4" (2216)	95 1/2" (2426)	23.38 (2.17)	38 7/8" (987)	40 15/16" (1040)	82 1/4" (2089)	25.22 (2.34)	55.20 (5.13)

* "Door Dimension" always refers to outside frame to frame dimension.
 • "Minimum Rough Opening" dimensions may need to be increased to allow for use of building wraps, flashing, sill panning, brackets, fasteners or other items. See pages 288-289 for more details.
 • Dimensions in parentheses are in millimeters or square meters.
 *For two-panel patio doors with one panel open, clear opening is based on active panel being open and passive panel being closed.



Custom-size doors are available in 1/8" (3) increments.

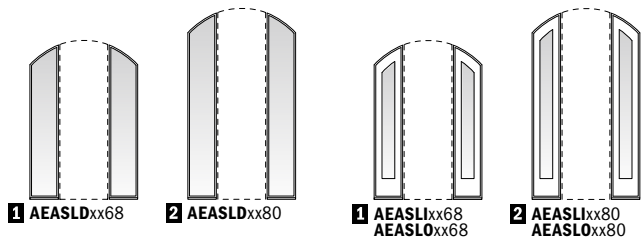
Available in custom designed panels, see page 192. Stationary doors are also available (i.e. **AEAOD2068S** or **AEAOD4068SS**).

Arch Outswing Entry Door Dimensions and Specifications

Door Number	Number of Panels Open*	Door Dimensions				Min. Rough Opening		Clear Opening Area Sq. Ft./ (m ²)	Clear Opening Maximums			Vent Area Sq. Ft./ (m ²)	Overall Door Area Sq. Ft./ (m ²)
		Radius Inches/(mm)	Shoulder Height Inches/(mm)	Width Inches/(mm)	Height Inches/(mm)	Width Inches/(mm)	Height Inches/(mm)		90° Width Inches/(mm)	Full Width Inches/(mm)	Height Inches/(mm)		
AEAOD2068	1	37 1/16" (941)	79 11/16" (2024)	25 11/16" (652)	82" (2083)	26 3/16" (665)	82 1/2" (2096)	12.37 (1.15)	21 1/8" (537)	23 1/16" (586)	77 1/4" (1962)	12.58 (1.17)	14.49 (1.35)
AEAOD2668	1	48" (1219)	79 5/16" (2015)	31 11/16" (805)	82" (2083)	32 3/16" (818)	82 1/2" (2096)	15.50 (1.44)	27 1/8" (689)	29 1/16" (738)	76 13/16" (1951)	15.82 (1.47)	17.85 (1.66)
AEAOD2868	1	48" (1219)	78 15/16" (2005)	33 11/16" (856)	82" (2083)	34 3/16" (868)	82 1/2" (2096)	16.50 (1.53)	29 1/8" (740)	31 1/16" (789)	76 1/2" (1943)	16.89 (1.57)	18.95 (1.76)
AEAOD3068	1	48" (1219)	78 3/8" (1984)	37 11/16" (957)	82" (2083)	38 3/16" (970)	82 1/2" (2096)	18.44 (1.71)	33 1/8" (841)	35 1/16" (891)	75 3/4" (1924)	19.00 (1.77)	21.13 (1.96)
AEAOD3668	1	48" (1219)	76 3/4" (1949)	43 11/16" (1110)	82" (2083)	44 3/16" (1122)	82 1/2" (2096)	21.21 (1.97)	39 1/8" (994)	41 1/16" (1043)	74 3/8" (1889)	22.13 (2.06)	24.36 (2.26)
AEAOD2080	1	37 1/16" (941)	92 11/16" (2354)	25 11/16" (652)	95" (2413)	26 3/16" (665)	95 1/2" (2426)	12.37 (1.15)	21 1/8" (537)	23 1/16" (586)	77 1/4" (1962)	14.66 (1.36)	16.81 (1.56)
AEAOD2680	1	48" (1219)	92 5/16" (2345)	31 11/16" (805)	95" (2413)	32 3/16" (818)	95 1/2" (2426)	15.50 (1.44)	27 1/8" (689)	29 1/16" (738)	76 13/16" (1951)	18.45 (1.71)	20.71 (1.92)
AEAOD2880	1	48" (1219)	91 15/16" (2335)	33 11/16" (856)	95" (2413)	34 3/16" (868)	95 1/2" (2426)	16.50 (1.53)	29 1/8" (740)	31 1/16" (789)	76 1/2" (1943)	19.69 (1.83)	21.99 (2.04)
AEAOD3080	1	48" (1219)	91 1/8" (2315)	37 11/16" (957)	95" (2413)	38 3/16" (970)	95 1/2" (2426)	18.44 (1.71)	33 1/8" (841)	35 1/16" (891)	75 3/4" (1924)	22.17 (2.06)	24.53 (2.28)
AEAOD3680	1	48" (1219)	89 3/8" (2280)	43 11/16" (1110)	95" (2413)	44 3/16" (1122)	95 1/2" (2426)	21.21 (1.97)	39 1/8" (994)	41 1/16" (1043)	74 3/8" (1889)	25.84 (2.40)	28.30 (2.63)
AEAOD4068	2	48" (1219)	74 3/4" (1899)	50 3/4" (1289)	82" (2083)	51 1/4" (1302)	82 1/2" (2096)	24.23 (2.25)	44 3/16" (1122)	48 1/8" (1222)	72 1/2" (1842)	25.73 (2.39)	28.07 (2.61)
AEAOD4068	1	48" (1219)	74 3/4" (1899)	50 3/4" (1289)	82" (2083)	51 1/4" (1302)	82 1/2" (2096)	11.58 (1.08)	21" (533)	23" (584)	72 1/2" (1842)	12.28 (1.14)	28.07 (2.61)
AEAOD5068	2	96" (2438)	76 3/4" (1949)	62 3/4" (1594)	82" (2083)	63 1/4" (1607)	82 1/2" (2096)	31.00 (2.88)	56 3/16" (1427)	60 1/8" (1527)	74 1/4" (1886)	32.38 (3.01)	34.97 (3.25)
AEAOD5068	1	96" (2438)	76 3/4" (1949)	62 3/4" (1594)	82" (2083)	63 1/4" (1607)	82 1/2" (2096)	14.95 (1.39)	27" (686)	29" (737)	74 1/4" (1886)	15.60 (1.45)	34.97 (3.25)
AEAOD5468	2	96" (2438)	76" (1930)	66 3/4" (1695)	82" (2083)	67 1/4" (1708)	82 1/2" (2096)	32.76 (3.04)	60 3/16" (1529)	64 1/8" (1629)	73 9/16" (1868)	34.43 (3.20)	37.09 (3.45)
AEAOD5468	1	96" (2438)	76" (1930)	66 3/4" (1695)	82" (2083)	67 1/4" (1708)	82 1/2" (2096)	15.84 (1.47)	29" (737)	31" (787)	73 9/16" (1868)	16.63 (1.54)	37.09 (3.45)
AEAOD6068	2	96" (2438)	74 1/16" (1891)	74 3/4" (1899)	82" (2083)	75 1/4" (1911)	82 1/2" (2096)	36.06 (3.35)	68 3/16" (1732)	72 1/8" (1832)	72" (1829)	38.48 (3.57)	41.27 (3.83)
AEAOD6068	1	96" (2438)	74 1/16" (1891)	74 3/4" (1899)	82" (2083)	75 1/4" (1911)	82 1/2" (2096)	17.50 (1.63)	33" (838)	35" (889)	72" (1829)	18.65 (1.73)	41.27 (3.83)
AEAOD7068	2	96" (2438)	71 5/8" (1819)	86 3/4" (2203)	82" (2083)	87 1/4" (2216)	82 1/2" (2096)	40.49 (3.76)	80 3/16" (2037)	84 1/8" (2137)	69 5/16" (1761)	44.37 (4.12)	47.36 (4.40)
AEAOD7068	1	96" (2438)	71 5/8" (1819)	86 3/4" (2203)	82" (2083)	87 1/4" (2216)	82 1/2" (2096)	19.73 (1.83)	39" (991)	41" (1041)	69 5/16" (1761)	21.60 (2.01)	47.36 (4.40)
AEAOD4080	2	48" (1219)	87 3/4" (2229)	50 3/4" (1289)	95" (2413)	51 1/4" (1302)	95 1/2" (2426)	28.57 (2.65)	44 3/16" (1122)	48 1/8" (1222)	85 1/2" (2172)	30.08 (2.79)	32.65 (3.03)
AEAOD4080	1	48" (1219)	87 3/4" (2229)	50 3/4" (1289)	95" (2413)	51 1/4" (1302)	95 1/2" (2426)	13.66 (1.27)	21" (533)	23" (584)	85 1/2" (2172)	14.36 (1.33)	32.65 (3.03)
AEAOD5080	2	96" (2438)	89 3/4" (2280)	62 3/4" (1594)	95" (2413)	63 1/4" (1607)	95 1/2" (2426)	36.43 (3.38)	56 3/16" (1427)	60 1/8" (1527)	87 1/4" (2216)	37.80 (3.51)	40.64 (3.78)
AEAOD5080	1	96" (2438)	89 3/4" (2280)	62 3/4" (1594)	95" (2413)	63 1/4" (1607)	95 1/2" (2426)	17.57 (1.63)	27" (686)	29" (737)	87 1/4" (2216)	18.22 (1.69)	40.64 (3.78)
AEAOD5480	2	96" (2438)	89" (2261)	66 3/4" (1695)	95" (2413)	67 1/4" (1708)	95 1/2" (2426)	38.55 (3.58)	60 3/16" (1529)	64 1/8" (1629)	86 9/16" (2199)	40.22 (3.74)	43.12 (4.01)
AEAOD5480	1	96" (2438)	89" (2261)	66 3/4" (1695)	95" (2413)	67 1/4" (1708)	95 1/2" (2426)	18.63 (1.73)	29" (737)	31" (787)	86 9/16" (2199)	19.43 (1.81)	43.12 (4.01)
AEAOD6080	2	96" (2438)	87 1/16" (2221)	74 3/4" (1899)	95" (2413)	75 1/4" (1911)	95 1/2" (2426)	42.57 (3.95)	68 3/16" (1732)	72 1/8" (1832)	85" (2159)	44.99 (4.18)	48.02 (4.46)
AEAOD6080	1	96" (2438)	87 1/16" (2221)	74 3/4" (1899)	95" (2413)	75 1/4" (1911)	95 1/2" (2426)	20.66 (1.92)	33" (838)	35" (889)	85" (2159)	21.81 (2.03)	48.02 (4.46)
AEAOD7080	2	96" (2438)	84 5/8" (2149)	86 3/4" (2203)	95" (2413)	87 1/4" (2216)	95 1/2" (2426)	48.09 (4.47)	80 3/16" (2037)	84 1/8" (2137)	82 5/16" (2091)	51.96 (4.83)	55.20 (5.13)
AEAOD7080	1	96" (2438)	84 5/8" (2149)	86 3/4" (2203)	95" (2413)	87 1/4" (2216)	95 1/2" (2426)	23.44 (2.18)	39" (991)	41" (1041)	82 5/16" (2091)	25.30 (2.35)	55.20 (5.13)

* "Door Dimension" always refers to outside frame to frame dimension.
 • "Minimum Rough Opening" dimensions may need to be increased to allow for use of building wraps, flashing, sill panning, brackets, fasteners or other items. See pages 288-289 for more details.
 • Dimensions in parentheses are in millimeters or square meters.
 *For two-panel patio doors with one panel open, clear opening is based on active panel being open and passive panel being closed.

Direct-Set and Sash-Set Arch Entry Door Sidelights



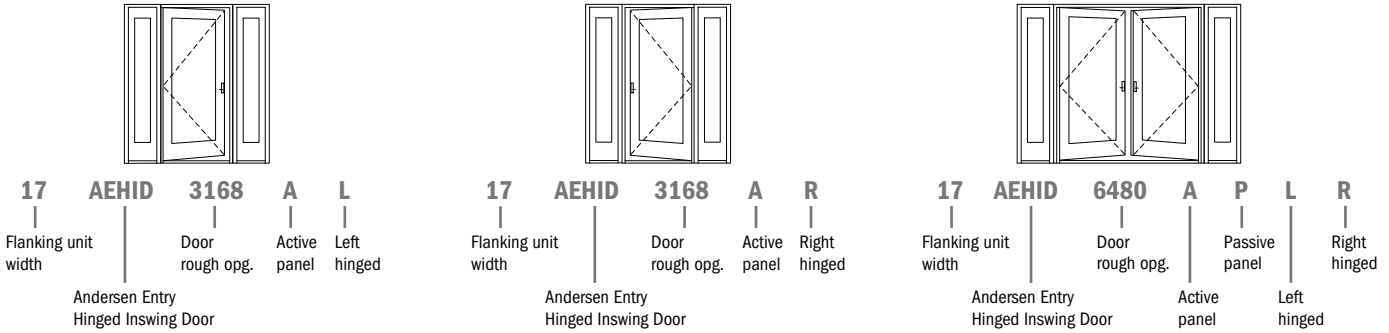
Direct-set (**AEASLD**), sash-set inswing (**AEASLI**) and sash-set outswing (**AEASLO**) entry door sidelights shown. Contact your Andersen supplier for dimensions and specifications.

Entranceways

RESIDENTIAL ENTRY DOORS

Order Designation Description

Viewed from the exterior.



Inswing entry doors (AEHID) shown above, for outswing entry doors use AEOD. Outswing entry doors open outward to the exterior.



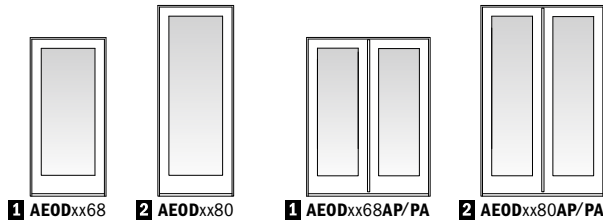
Custom-size doors are available in 1/8" (3) increments.

Available in custom designed panels, see page 192. Stationary doors are also available (i.e. AEHID2068S or AEHID4068SS).

Rectangular Inswing Entry Door Dimensions and Specifications

Door Number	Number of Panels Open*	Min. Rough Opening				Clear Opening Sq. Ft./ (m ²)	Clear Opening Maximums			Vent Sq. Ft./ (m ²)	Overall Door Area Sq. Ft./ (m ²)
		Width Inches/(mm)	Height Inches/(mm)	Width Inches/(mm)	Height Inches/(mm)		90° Width Inches/(mm)	Full Width Inches/(mm)	Height Inches/(mm)		
AEHID2068	1	25 11/16" (652)	82" (2083)	26 3/16" (665)	82 1/2" (2096)	12.56 (1.17)	20 13/16" (529)	22 7/8" (581)	79 1/16" (2008)	12.56 (1.17)	14.63 (1.36)
AEHID2668	1	31 11/16" (805)	82" (2083)	32 3/16" (818)	82 1/2" (2096)	15.85 (1.47)	26 13/16" (681)	28 7/8" (733)	79 1/16" (2008)	15.85 (1.47)	18.04 (1.68)
AEHID2868	1	33 11/16" (856)	82" (2083)	34 3/16" (868)	82 1/2" (2096)	16.95 (1.57)	28 13/16" (732)	30 7/8" (784)	79 1/16" (2008)	16.95 (1.57)	19.18 (1.78)
AEHID3068	1	37 11/16" (957)	82" (2083)	38 3/16" (970)	82 1/2" (2096)	19.15 (1.78)	32 13/16" (833)	34 7/8" (886)	79 1/16" (2008)	19.15 (1.78)	21.46 (1.99)
AEHID3668	1	43 11/16" (1110)	82" (2083)	44 3/16" (1122)	82 1/2" (2096)	22.44 (2.08)	38 13/16" (986)	40 7/8" (1038)	79 1/16" (2008)	22.44 (2.08)	24.88 (2.31)
AEHID2080	1	25 11/16" (652)	95" (2413)	26 3/16" (665)	95 1/2" (2426)	14.62 (1.36)	20 13/16" (529)	22 7/8" (581)	92 1/16" (2338)	14.62 (1.36)	16.95 (1.57)
AEHID2680	1	31 11/16" (805)	95" (2413)	32 3/16" (818)	95 1/2" (2426)	18.46 (1.71)	26 13/16" (681)	28 7/8" (733)	92 1/16" (2338)	18.46 (1.71)	20.90 (1.94)
AEHID2880	1	33 11/16" (856)	95" (2413)	34 3/16" (868)	95 1/2" (2426)	19.74 (1.83)	28 13/16" (732)	30 7/8" (784)	92 1/16" (2338)	19.74 (1.83)	22.22 (2.06)
AEHID3080	1	37 11/16" (957)	95" (2413)	38 3/16" (970)	95 1/2" (2426)	22.30 (2.07)	32 13/16" (833)	34 7/8" (886)	92 1/16" (2338)	22.30 (2.07)	24.86 (2.31)
AEHID3680	1	43 11/16" (1110)	95" (2413)	44 3/16" (1122)	95 1/2" (2426)	26.13 (2.43)	38 13/16" (986)	40 7/8" (1038)	92 1/16" (2338)	26.13 (2.43)	28.82 (2.68)
AEHID4068	2	50 3/4" (1289)	82" (2083)	51 1/4" (1302)	82 1/2" (2096)	26.32 (2.45)	43 13/16" (1113)	47 15/16" (1218)	79 1/16" (2008)	26.32 (2.45)	28.90 (2.68)
AEHID4068	1	50 3/4" (1289)	82" (2083)	51 1/4" (1302)	82 1/2" (2096)	12.59 (1.17)	20 7/8" (530)	22 15/16" (583)	79 1/16" (2008)	12.59 (1.17)	28.90 (2.68)
AEHID5068	2	62 3/4" (1594)	82" (2083)	63 1/4" (1607)	82 1/2" (2096)	32.91 (3.06)	55 13/16" (1418)	59 15/16" (1522)	79 1/16" (2008)	32.91 (3.06)	35.73 (3.32)
AEHID5068	1	62 3/4" (1594)	82" (2083)	63 1/4" (1607)	82 1/2" (2096)	15.89 (1.48)	26 7/8" (683)	28 15/16" (735)	79 1/16" (2008)	15.89 (1.48)	35.73 (3.32)
AEHID5468	2	66 3/4" (1695)	82" (2083)	67 1/4" (1708)	82 1/2" (2096)	35.10 (3.26)	59 13/16" (1519)	63 15/16" (1624)	79 1/16" (2008)	35.10 (3.26)	38.01 (3.53)
AEHID5468	1	66 3/4" (1695)	82" (2083)	67 1/4" (1708)	82 1/2" (2096)	16.99 (1.58)	28 15/16" (733)	30 15/16" (786)	79 1/16" (2008)	16.99 (1.58)	38.01 (3.53)
AEHID6068	2	74 3/4" (1899)	82" (2083)	75 1/4" (1911)	82 1/2" (2096)	39.50 (3.67)	67 13/16" (1722)	71 15/16" (1827)	79 1/16" (2008)	39.50 (3.67)	42.57 (3.95)
AEHID6068	1	74 3/4" (1899)	82" (2083)	75 1/4" (1911)	82 1/2" (2096)	19.18 (1.78)	32 7/8" (835)	34 15/16" (887)	79 1/16" (2008)	19.18 (1.78)	42.57 (3.95)
AEHID7068	2	86 3/4" (2203)	82" (2083)	87 1/4" (2216)	82 1/2" (2096)	46.09 (4.28)	79 13/16" (2027)	83 15/16" (2132)	79 1/16" (2008)	46.09 (4.28)	49.40 (4.59)
AEHID7068	1	86 3/4" (2203)	82" (2083)	87 1/4" (2216)	82 1/2" (2096)	22.48 (2.09)	38 15/16" (987)	40 15/16" (1040)	79 1/16" (2008)	22.48 (2.09)	49.40 (4.59)
AEHID4080	2	50 3/4" (1289)	95" (2413)	51 1/4" (1302)	95 1/2" (2426)	30.65 (2.85)	43 13/16" (1113)	47 15/16" (1218)	92 1/16" (2338)	30.65 (2.85)	33.48 (3.11)
AEHID4080	1	50 3/4" (1289)	95" (2413)	51 1/4" (1302)	95 1/2" (2426)	14.66 (1.36)	20 7/8" (530)	22 15/16" (583)	92 1/16" (2338)	14.66 (1.36)	33.48 (3.11)
AEHID5080	2	62 3/4" (1594)	95" (2413)	63 1/4" (1607)	95 1/2" (2426)	38.32 (3.56)	55 13/16" (1418)	59 15/16" (1522)	92 1/16" (2338)	38.32 (3.56)	41.40 (3.85)
AEHID5080	1	62 3/4" (1594)	95" (2413)	63 1/4" (1607)	95 1/2" (2426)	18.50 (1.72)	26 7/8" (683)	28 15/16" (735)	92 1/16" (2338)	18.50 (1.72)	41.40 (3.85)
AEHID5480	2	66 3/4" (1695)	95" (2413)	67 1/4" (1708)	95 1/2" (2426)	40.88 (3.80)	59 13/16" (1519)	63 15/16" (1624)	92 1/16" (2338)	40.88 (3.80)	44.04 (4.09)
AEHID5480	1	66 3/4" (1695)	95" (2413)	67 1/4" (1708)	95 1/2" (2426)	19.78 (1.84)	28 7/8" (733)	30 15/16" (786)	92 1/16" (2338)	19.78 (1.84)	44.04 (4.09)
AEHID6080	2	74 3/4" (1899)	95" (2413)	75 1/4" (1911)	95 1/2" (2426)	45.99 (4.27)	67 13/16" (1722)	71 15/16" (1827)	92 1/16" (2338)	45.99 (4.27)	49.31 (4.58)
AEHID6080	1	74 3/4" (1899)	95" (2413)	75 1/4" (1911)	95 1/2" (2426)	22.34 (2.08)	32 15/16" (835)	34 15/16" (887)	92 1/16" (2338)	22.34 (2.08)	49.31 (4.58)
AEHID7080	2	86 3/4" (2203)	95" (2413)	87 1/4" (2216)	95 1/2" (2426)	53.66 (4.99)	79 13/16" (2027)	83 15/16" (2132)	92 1/16" (2338)	53.66 (4.99)	57.23 (5.32)
AEHID7080	1	86 3/4" (2203)	95" (2413)	87 1/4" (2216)	95 1/2" (2426)	26.17 (2.43)	38 7/8" (987)	40 15/16" (1040)	92 1/16" (2338)	26.17 (2.43)	57.23 (5.32)

* "Door Dimension" always refers to outside frame to frame dimension.
 • "Minimum Rough Opening" dimensions may need to be increased to allow for use of building wraps, flashing, sill panning, brackets, fasteners or other items. See pages 288-289 for more details.
 • Dimensions in parentheses are in millimeters or square meters.
 *For two-panel patio doors with one panel open, clear opening is based on active panel being open and passive panel being closed.



Custom-size doors are available in 1/8" (3) increments.

Available in custom designed panels, see page 192. Stationary doors are also available (i.e. AEOD2068S or AEOD4068SS).

Rectangular Outswing Entry Door Dimensions and Specifications

Door Number	Number of Panels Open*	Min. Rough Opening				Clear Opening Maximums				Vent Sq. Ft./ (m ²)	Overall Door Area Sq. Ft./ (m ²)
		Width Inches/(mm)	Height Inches/(mm)	Width Inches/(mm)	Height Inches/(mm)	Clear Opening Sq. Ft./ (m ²)	90° Width Inches/(mm)	Full Width Inches/(mm)	Height Inches/(mm)		
AEOD2068	1	25 11/16" (652)	82" (2083)	26 3/16" (665)	82 1/2" (2096)	12.68 (1.18)	21 1/8" (537)	23 1/16" (586)	79 3/16" (2011)	12.58 (1.17)	14.63 (1.36)
AEOD2668	1	31 11/16" (805)	82" (2083)	32 3/16" (818)	82 1/2" (2096)	15.98 (1.48)	27 1/8" (689)	29 1/16" (738)	79 3/16" (2011)	15.82 (1.47)	18.04 (1.68)
AEOD2868	1	33 11/16" (856)	82" (2083)	34 3/16" (868)	82 1/2" (2096)	17.08 (1.59)	29 1/8" (740)	31 1/16" (789)	79 3/16" (2011)	16.89 (1.57)	19.18 (1.78)
AEOD3068	1	37 11/16" (957)	82" (2083)	38 3/16" (970)	82 1/2" (2096)	19.28 (1.79)	33 1/8" (841)	35 1/16" (891)	79 3/16" (2011)	19.00 (1.77)	21.46 (1.99)
AEOD3668	1	43 11/16" (1110)	82" (2083)	44 3/16" (1122)	82 1/2" (2096)	22.58 (2.10)	39 1/8" (994)	41 1/16" (1043)	79 3/16" (2011)	22.13 (2.06)	24.88 (2.31)
AEOD2080	1	25 11/16" (652)	95" (2413)	26 3/16" (665)	95 1/2" (2426)	14.76 (1.37)	21 1/8" (537)	23 1/16" (586)	92 3/16" (2342)	14.66 (1.36)	16.95 (1.57)
AEOD2680	1	31 11/16" (805)	95" (2413)	32 3/16" (818)	95 1/2" (2426)	18.61 (1.73)	27 1/8" (689)	29 1/16" (738)	92 3/16" (2342)	18.45 (1.71)	20.90 (1.94)
AEOD2880	1	33 11/16" (856)	95" (2413)	34 3/16" (868)	95 1/2" (2426)	19.89 (1.85)	29 1/8" (740)	31 1/16" (789)	92 3/16" (2342)	19.69 (1.83)	22.22 (2.06)
AEOD3080	1	37 11/16" (957)	95" (2413)	38 3/16" (970)	95 1/2" (2426)	22.45 (2.09)	33 1/8" (841)	35 1/16" (891)	92 3/16" (2342)	22.17 (2.06)	24.86 (2.31)
AEOD3680	1	43 11/16" (1110)	95" (2413)	44 3/16" (1122)	95 1/2" (2426)	26.29 (2.44)	39 1/8" (994)	41 1/16" (1043)	92 3/16" (2342)	25.84 (2.40)	28.82 (2.68)
AEOD4068	2	50 3/4" (1289)	82" (2083)	51 1/4" (1302)	82 1/2" (2096)	26.46 (2.46)	44 3/16" (1122)	48 1/8" (1222)	79 3/16" (2011)	25.73 (2.39)	28.90 (2.68)
AEOD4068	1	50 3/4" (1289)	82" (2083)	51 1/4" (1302)	82 1/2" (2096)	12.65 (1.18)	21" (533)	23" (584)	79 3/16" (2011)	12.28 (1.14)	28.90 (2.68)
AEOD5068	2	62 3/4" (1594)	82" (2083)	63 1/4" (1607)	82 1/2" (2096)	33.06 (3.07)	56 3/16" (1427)	60 1/8" (1527)	79 3/16" (2011)	32.38 (3.01)	35.73 (3.32)
AEOD5068	1	62 3/4" (1594)	82" (2083)	63 1/4" (1607)	82 1/2" (2096)	15.95 (1.48)	27" (686)	29" (737)	79 3/16" (2011)	15.60 (1.45)	35.73 (3.32)
AEOD5468	2	66 3/4" (1695)	82" (2083)	67 1/4" (1708)	82 1/2" (2096)	35.26 (3.28)	60 3/16" (1529)	64 1/8" (1629)	79 3/16" (2011)	34.43 (3.20)	38.01 (3.53)
AEOD5468	1	66 3/4" (1695)	82" (2083)	67 1/4" (1708)	82 1/2" (2096)	17.05 (1.58)	29" (737)	31" (787)	79 3/16" (2011)	16.63 (1.54)	38.01 (3.53)
AEOD6068	2	74 3/4" (1899)	82" (2083)	75 1/4" (1911)	82 1/2" (2096)	39.66 (3.68)	68 3/16" (1732)	72 1/8" (1832)	79 3/16" (2011)	38.48 (3.57)	42.57 (3.95)
AEOD6068	1	74 3/4" (1899)	82" (2083)	75 1/4" (1911)	82 1/2" (2096)	19.25 (1.79)	33" (838)	35" (889)	79 3/16" (2011)	18.65 (1.73)	42.57 (3.95)
AEOD7068	2	86 3/4" (2203)	82" (2083)	87 1/4" (2216)	82 1/2" (2096)	46.26 (4.30)	80 3/16" (2037)	84 1/8" (2137)	79 3/16" (2011)	44.37 (4.12)	49.40 (4.59)
AEOD7068	1	86 3/4" (2203)	82" (2083)	87 1/4" (2216)	82 1/2" (2096)	22.55 (2.09)	39" (991)	41" (1041)	79 3/16" (2011)	21.60 (2.01)	49.40 (4.59)
AEOD4080	2	50 3/4" (1289)	95" (2413)	51 1/4" (1302)	95 1/2" (2426)	30.81 (2.86)	44 3/16" (1122)	48 1/8" (1222)	92 3/16" (2342)	30.08 (2.79)	33.48 (3.11)
AEOD4080	1	50 3/4" (1289)	95" (2413)	51 1/4" (1302)	95 1/2" (2426)	14.72 (1.37)	21" (533)	23" (584)	92 3/16" (2342)	14.36 (1.33)	33.48 (3.11)
AEOD5080	2	62 3/4" (1594)	95" (2413)	63 1/4" (1607)	95 1/2" (2426)	38.49 (3.58)	56 3/16" (1427)	60 1/8" (1527)	92 3/16" (2342)	37.80 (3.51)	41.40 (3.85)
AEOD5080	1	62 3/4" (1594)	95" (2413)	63 1/4" (1607)	95 1/2" (2426)	18.57 (1.73)	27" (686)	29" (737)	92 3/16" (2342)	18.22 (1.69)	41.40 (3.85)
AEOD5480	2	66 3/4" (1695)	95" (2413)	67 1/4" (1708)	95 1/2" (2426)	41.05 (3.81)	60 3/16" (1529)	64 1/8" (1629)	92 3/16" (2342)	40.22 (3.74)	44.04 (4.09)
AEOD5480	1	66 3/4" (1695)	95" (2413)	67 1/4" (1708)	95 1/2" (2426)	19.85 (1.84)	29" (737)	31" (787)	92 3/16" (2342)	19.43 (1.81)	44.04 (4.09)
AEOD6080	2	74 3/4" (1899)	95" (2413)	75 1/4" (1911)	95 1/2" (2426)	46.17 (4.29)	68 3/16" (1732)	72 1/8" (1832)	92 3/16" (2342)	44.99 (4.18)	49.31 (4.58)
AEOD6080	1	74 3/4" (1899)	95" (2413)	75 1/4" (1911)	95 1/2" (2426)	22.41 (2.08)	33" (838)	35" (889)	92 3/16" (2342)	21.81 (2.03)	49.31 (4.58)
AEOD7080	2	86 3/4" (2203)	95" (2413)	87 1/4" (2216)	95 1/2" (2426)	53.86 (5.00)	80 3/16" (2037)	84 1/8" (2137)	92 3/16" (2342)	51.96 (4.83)	57.23 (5.32)
AEOD7080	1	86 3/4" (2203)	95" (2413)	87 1/4" (2216)	95 1/2" (2426)	26.25 (2.44)	39 (991)	41" (1041)	92 3/16" (2342)	25.30 (2.35)	57.23 (5.32)

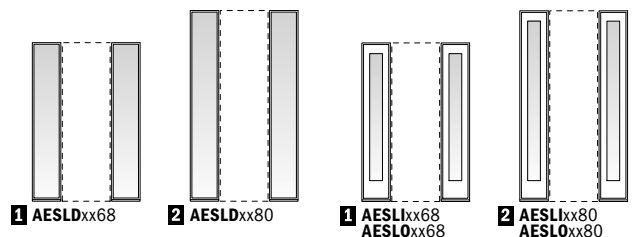
- * "Door Dimension" always refers to outside frame to frame dimension.
- * "Minimum Rough Opening" dimensions may need to be increased to allow for use of building wraps, flashing, sill panning, brackets, fasteners or other items. See pages 288-289 for more details.
- * Dimensions in parentheses are in millimeters or square meters.
- * For two-panel patio doors with one panel open, clear opening is based on active panel being open and passive panel being closed.

Direct-Set Rectangular Entry Door Sidelight Dimensions and Specifications

Sidelight Number	Sidelight Dimensions		Min. Rough Opening		Glass Area Sq. Ft./ (m ²)	Overall Sidelight Area Sq. Ft./ (m ²)
	Width Inches/(mm)	Height Inches/(mm)	Width Inches/(mm)	Height Inches/(mm)		
AESLD0868	9 15/16" (252)	82" (2083)	10 7/16" (265)	82 1/2" (2096)	3.77 (0.35)	5.66 (0.53)
AESLD1068	15 15/16" (405)	82" (2083)	16 7/16" (418)	82 1/2" (2096)	7.03 (0.65)	9.08 (0.84)
AESLD2068	25 11/16" (652)	82" (2083)	26 3/16" (665)	82 1/2" (2096)	12.32 (1.14)	14.63 (1.36)
AESLD3068	37 11/16" (957)	82" (2083)	38 3/16" (970)	82 1/2" (2096)	18.84 (1.75)	21.46 (1.99)
AESLD0880	9 15/16" (252)	95" (2413)	10 7/16" (265)	95 1/2" (2426)	4.40 (0.41)	6.56 (0.61)
AESLD1080	15 15/16" (405)	95" (2413)	16 7/16" (418)	95 1/2" (2426)	8.19 (0.76)	10.51 (0.98)
AESLD2080	25 11/16" (652)	95" (2413)	26 3/16" (665)	95 1/2" (2426)	14.37 (1.33)	16.95 (1.57)
AESLD3080	37 11/16" (957)	95" (2413)	38 3/16" (970)	95 1/2" (2426)	21.97 (2.04)	24.86 (2.31)

- * Sidelight Dimension always refers to outside frame to frame dimension.
- * "Minimum Rough Opening" dimensions may need to be increased to allow for use of building wraps, flashing, sill panning, brackets, fasteners or other items. See pages 288-289 for more details.
- * Dimensions in parentheses are in millimeters or square meters.

Direct-Set & Sash-Set Rectangular Entry Door Sidelights



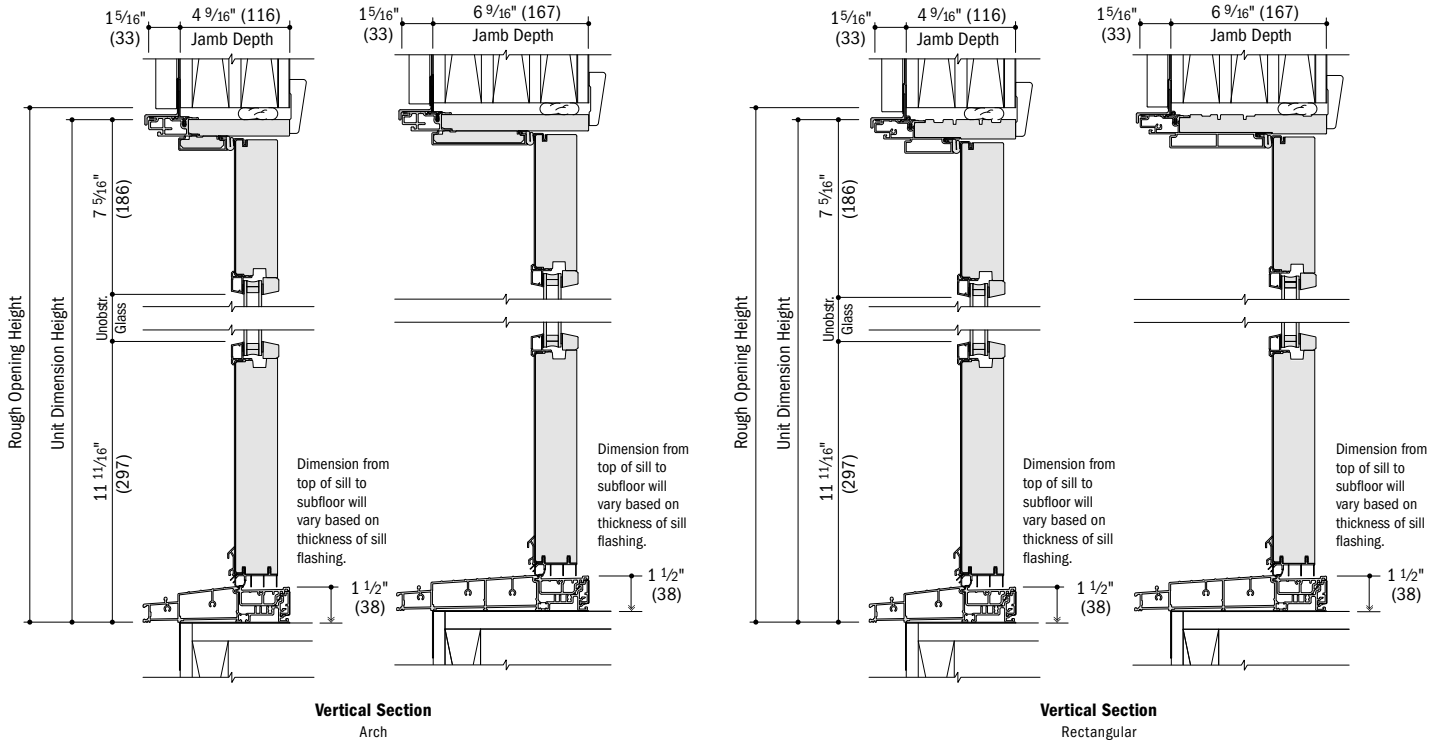
Direct-set (AESLD), sash-set inswing (AESLI) and sash-set outswing (AESLO) entry door sidelights shown. Dimensions and specifications shown for direct-set sidelights, contact your Andersen supplier for sash-set sidelight dimensions and specifications.

Entranceways

RESIDENTIAL ENTRY DOORS

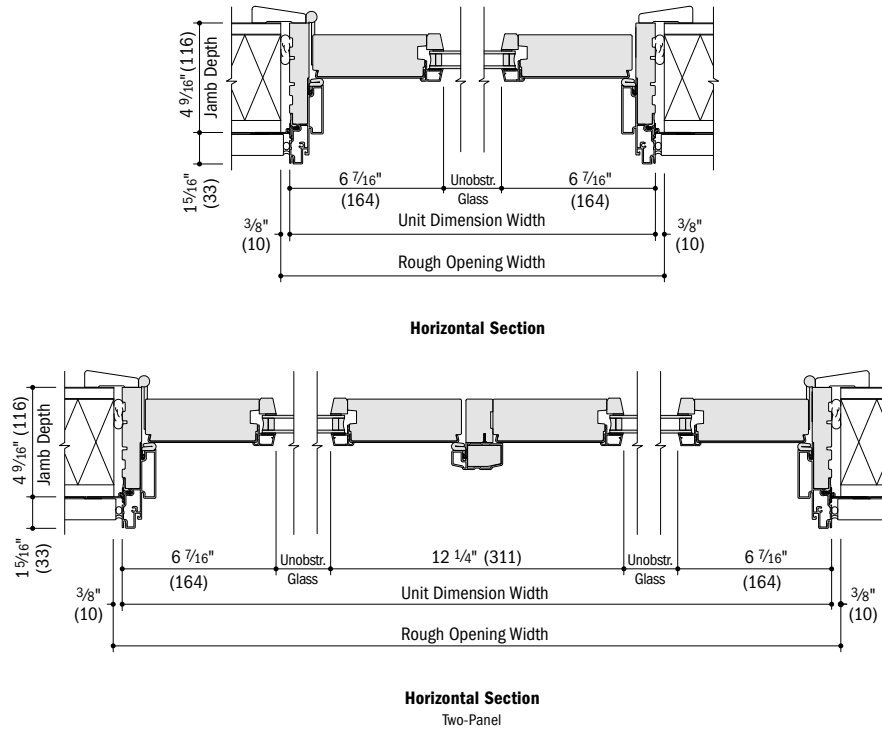
Arch and Rectangular Inswing Entry Door Details – 4 9/16" (116) and 6 9/16" (167) Jamb Depth

Scale 1 1/2" (38) = 1'-0" (305) – 1:8



Arch and Rectangular Inswing Entry Door Details – 4 9/16" (116) Jamb Depth

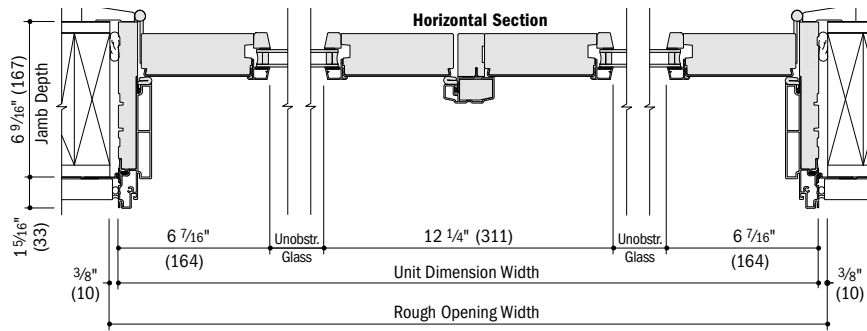
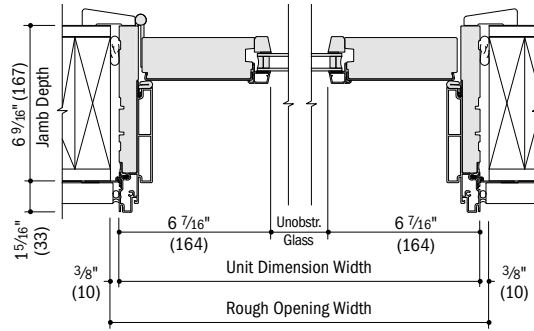
Scale 1 1/2" (38) = 1'-0" (305) – 1:8



- 4 9/16" (116) and 6 9/16" (167) jamb depth measurements are from backside of installation flange.
- Light-colored areas are parts included with door. Dark-colored areas are additional Andersen® parts required to complete door assembly as shown.
- **Rough openings may need to be increased to allow for use of building wraps, flashing, sill panning, brackets, fasteners or other items. See installation information on pages 288-289.**
- Details are for illustration only and are not intended to represent product installation methods or materials. Refer to product installation guides at andersenwindows.com.
- Dimensions in parentheses are in millimeters.
- Clad details shown, wood also available.

Arch and Rectangular Inswing Entry Door Details – 6 9/16" (167) Jamb Depth

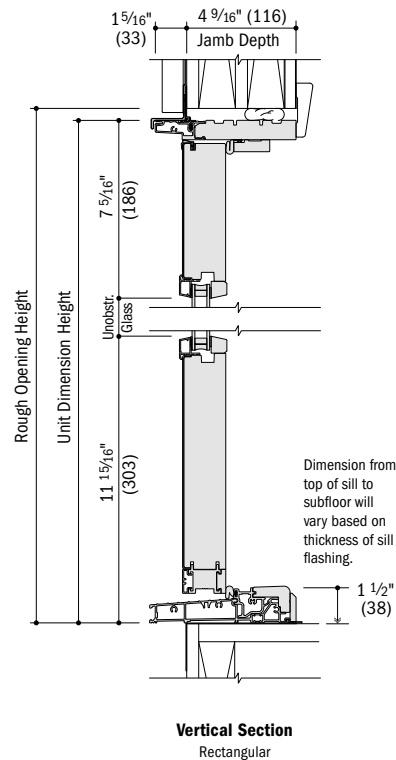
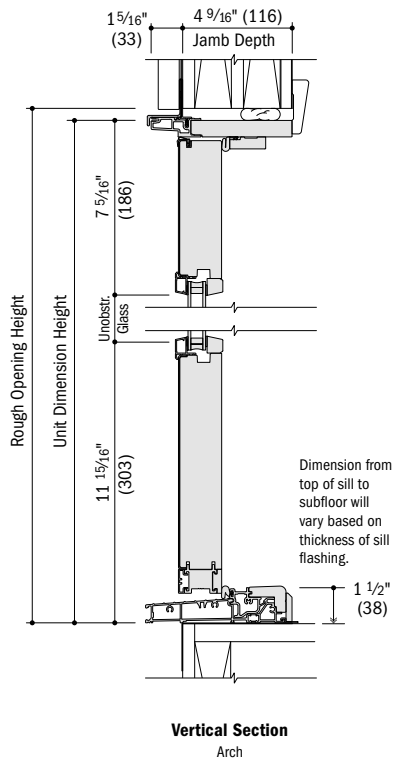
Scale 1 1/2" (38) = 1'-0" (305) – 1:8



Horizontal Section
Two-Panel

Arch and Rectangular Outswing Entry Door Details

Scale 1 1/2" (38) = 1'-0" (305) – 1:8



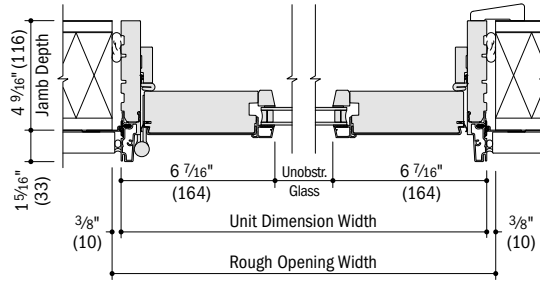
- 4 9/16" (116) and 6 9/16" (167) jamb depth measurement is from backside of installation flange.
- Light-colored areas are parts included with window and/or door. Dark-colored areas are additional Andersen[®] parts required to complete window and/or door assembly as shown.
- **Rough openings may need to be increased to allow for use of building wraps, flashing, sill panning, brackets, fasteners or other items. See installation information on pages 288-289.**
- Details are for illustration only and are not intended to represent product installation methods or materials. Refer to product installation guides at andersenwindows.com.
- Dimensions in parentheses are in millimeters.
- Clad details shown, wood also available.

Entranceways

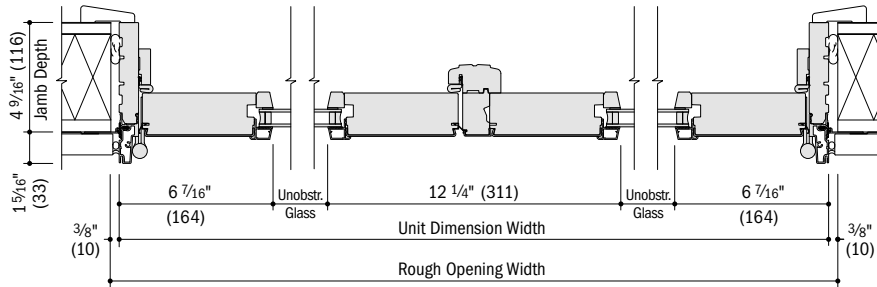
RESIDENTIAL ENTRY DOORS

Arch and Rectangular Outswing Entry Door Details

Scale 1 1/2" (38) = 1'-0" (305) – 1:8



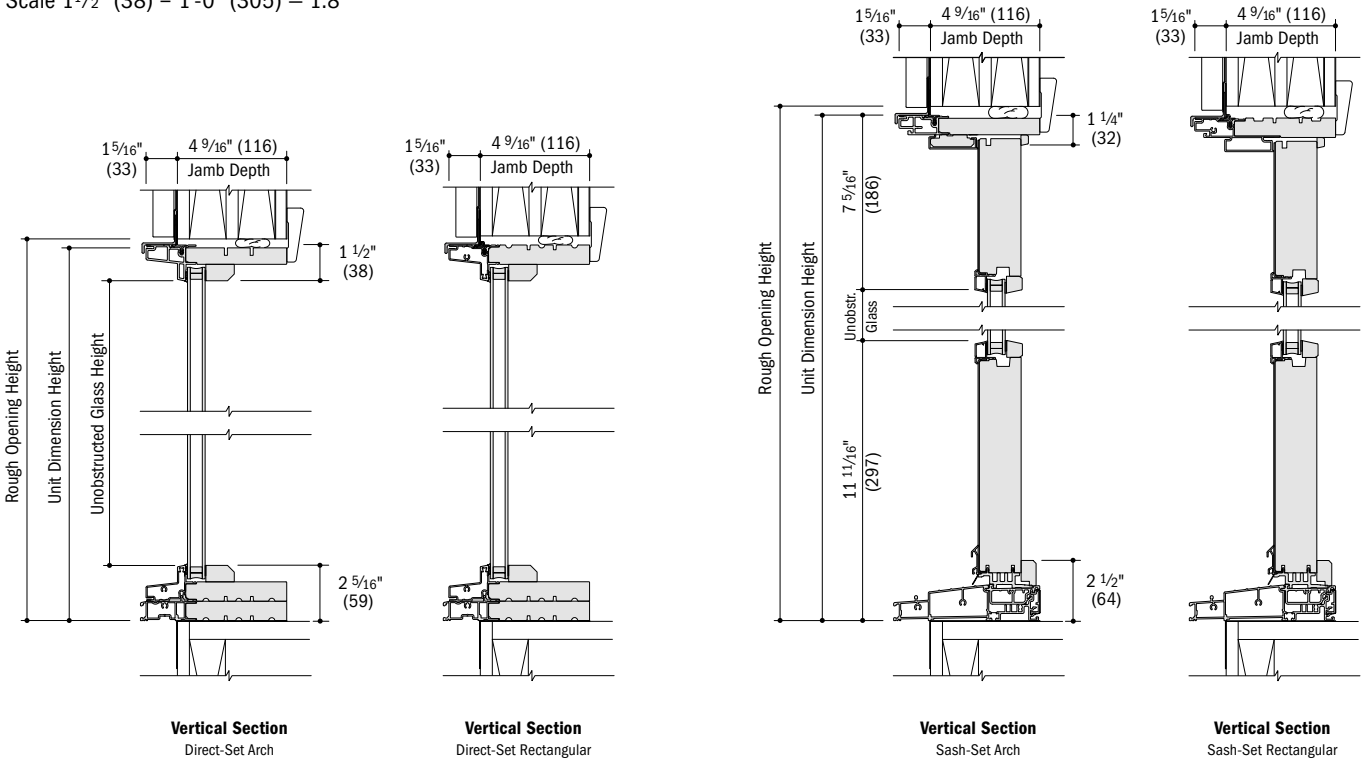
Horizontal Section



Horizontal Section
Two-Panel

Arch and Rectangular Entry Door Sidelight Details

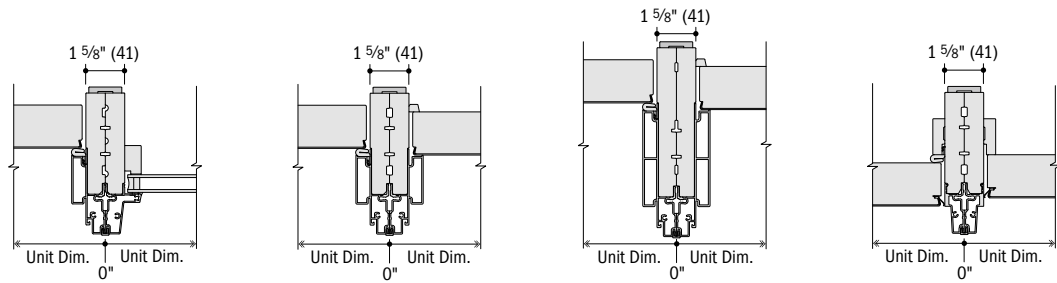
Scale 1 1/2" (38) = 1'-0" (305) – 1:8



- 4 9/16" (116) jamb depth measurement is from backside of installation flange.
- Light-colored areas are parts included with door. Dark-colored areas are additional Andersen® parts required to complete door assembly as shown.
- **Rough openings may need to be increased to allow for use of building wraps, flashing, sill panning, brackets, fasteners or other items. See installation information on pages 288-289.**
- Details are for illustration only and are not intended to represent product installation methods or materials. Refer to product installation guides at andersenwindows.com.
- Dimensions in parentheses are in millimeters.
- Clad details shown, wood also available.

Vertical Joining Details - Jamb to Jamb

Scale 1 1/2" (38) = 1'-0" (305) – 1:8



Inswing Entry Door to Direct-Set Arch or Rectangular Sidelight
4 9/16" (116) Jamb Depth

Inswing Entry Door to Sash-Set Arch or Rectangular Sidelight
4 9/16" (116) Jamb Depth

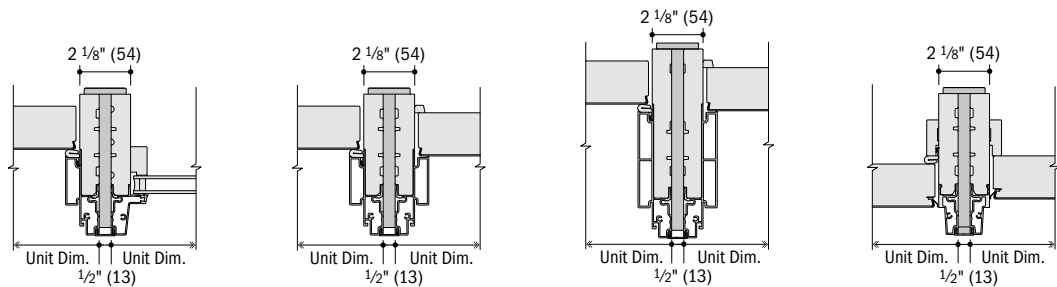
Inswing Entry Door to Sash-Set Arch or Rectangular Sidelight
6 9/16" (167) Jamb Depth

Outswing Entry Door to Sash-Set Arch or Rectangular Sidelight
4 9/16" (116) Jamb Depth

Non-reinforced jamb to jamb and 1/2" (13) wide wood joining shown. 1" (25) and 2" (51) wide joining also available. Contact your Andersen supplier for additional joining information.

Vertical Joining Details - Wood

Scale 1 1/2" (38) = 1'-0" (305) – 1:8



Inswing Entry Door to Direct-Set Arch or Rectangular Sidelight
4 9/16" (116) Jamb Depth

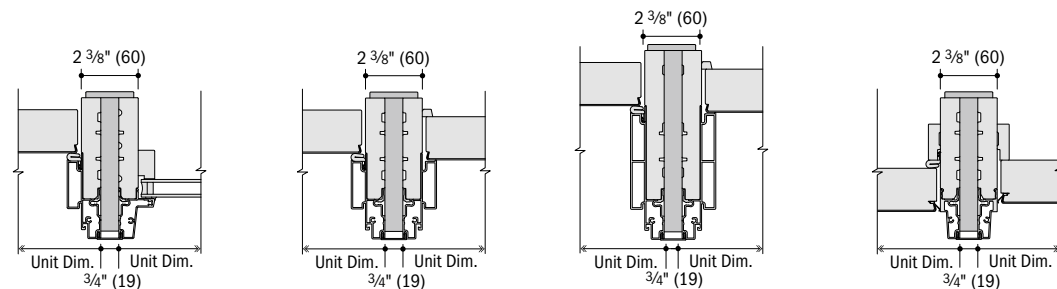
Inswing Entry Door to Sash-Set Arch or Rectangular Sidelight
4 9/16" (116) Jamb Depth

Inswing Entry Door to Sash-Set Arch or Rectangular Sidelight
6 9/16" (167) Jamb Depth

Outswing Entry Door to Sash-Set Arch or Rectangular Sidelight
4 9/16" (116) Jamb Depth

Vertical Joining Details - LVL

Scale 1 1/2" (38) = 1'-0" (305) – 1:8



Inswing Entry Door to Direct-Set Arch or Rectangular Sidelight
4 9/16" (116) Jamb Depth

Inswing Entry Door to Sash-Set Arch or Rectangular Sidelight
4 9/16" (116) Jamb Depth

Inswing Entry Door to Sash-Set Arch or Rectangular Sidelight
6 9/16" (167) Jamb Depth

Outswing Entry Door to Sash-Set Arch or Rectangular Sidelight
4 9/16" (116) Jamb Depth

- 4 9/16" (116) jamb depth measurement is from backside of installation flange.
- Light-colored areas are parts included with door. Dark-colored areas are additional Andersen® parts required to complete door assembly as shown.
- **Rough openings may need to be increased to allow for use of building wraps, flashing, sill panning, brackets, fasteners or other items. See installation information on pages 288-289.**
- Details are for illustration only and are not intended to represent product installation methods or materials. Refer to product installation guides at andersenwindows.com.
- Consult with an architect or structural engineer regarding minimum requirements for structural support members between adjacent rough openings.
- Dimensions in parentheses are in millimeters.
- Clad details shown, wood also available.

ENTRY DOOR TRANSOMS

FEATURES



Transoms are sized to fit over Andersen® residential and commercial entry doors and other Andersen products. They are also available in custom sizes. Contact your Andersen supplier for details.

Frame

Thick aluminum cladding finish. Standard cladding finish meets AAMA 2604. An optional finish that meets the AAMA 2605 standard is available.

4 1/16" (116) jamb depth for 2 x 4 wall construction.

All shapes are available direct-set. Rectangle, arch and half circle are also available sash-set to match door stiles.

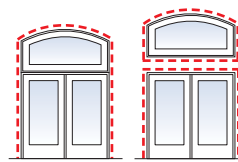
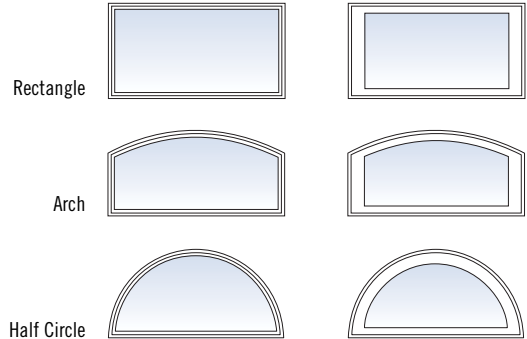
Shapes

Available in a wide variety of shapes including rectangle, arch, half circle, elliptical and Springline™ windows.

See page 192 for exterior colors, interior wood species, glass and other options.

Direct-Set

Sash-Set



Andersen entry doors and entry door transoms may be combined using joining materials or can be installed in separate rough openings for a joined appearance. They may also be combined with other units. Contact your Andersen supplier for more information.

Direct-Set Rectangular Entry Door Transom Dimensions and Specifications

Transom Number	Sidelight Dimensions		Min. Rough Opening		Glass Area Sq. Ft./ (m ²)	Overall Sidelight Area Sq. Ft./ (m ²)
	Width Inches/(mm)	Height Inches/(mm)	Width Inches/(mm)	Height Inches/(mm)		
AETD0812	9 15/16" (252)	12 13/16" (325)	10 7/16" (265)	13 3/16" (338)	0.47 (0.04)	0.88 (0.08)
AETD1012	15 15/16" (405)	12 13/16" (325)	16 7/16" (418)	13 5/16" (338)	0.88 (0.08)	1.42 (0.13)
AETD2012	25 11/16" (652)	12 13/16" (325)	26 3/16" (665)	13 5/16" (338)	1.55 (0.14)	2.29 (0.21)
AETD2612	31 11/16" (805)	12 13/16" (325)	32 3/16" (818)	13 5/16" (338)	1.95 (0.18)	2.82 (0.26)
AETD2812	33 11/16" (856)	12 13/16" (325)	34 3/16" (868)	13 5/16" (338)	2.09 (0.19)	3.00 (0.28)
AETD3012	37 11/16" (957)	12 13/16" (325)	38 3/16" (970)	13 5/16" (338)	2.36 (0.22)	3.35 (0.31)
AETD3612	43 11/16" (1110)	12 13/16" (325)	44 3/16" (1122)	13 5/16" (338)	2.77 (0.26)	3.89 (0.36)
AETD4012	50 3/4" (1289)	12 13/16" (325)	51 1/4" (1302)	13 5/16" (338)	3.25 (0.30)	4.52 (0.42)
AETD5012	62 3/4" (1594)	12 13/16" (325)	63 1/4" (1607)	13 5/16" (338)	4.07 (0.38)	5.58 (0.52)
AETD5412	66 3/4" (1695)	12 13/16" (325)	67 1/4" (1708)	13 5/16" (338)	4.34 (0.40)	5.94 (0.55)
AETD6012	74 3/4" (1899)	12 13/16" (325)	75 1/4" (1911)	13 5/16" (338)	4.89 (0.45)	6.65 (0.62)
AETD7012	86 3/4" (2203)	12 13/16" (325)	87 1/4" (2216)	13 5/16" (338)	5.71 (0.53)	7.72 (0.72)
AETD0817	9 15/16" (252)	17 13/16" (452)	10 7/16" (265)	18 5/16" (465)	0.71 (0.07)	1.23 (0.11)
AETD1017	15 15/16" (405)	17 13/16" (452)	16 7/16" (418)	18 5/16" (465)	1.33 (0.12)	1.97 (0.18)
AETD2017	25 11/16" (652)	17 13/16" (452)	26 3/16" (665)	18 5/16" (465)	2.33 (0.22)	3.18 (0.30)
AETD2617	31 11/16" (805)	17 13/16" (452)	32 3/16" (818)	18 5/16" (465)	2.95 (0.27)	3.92 (0.36)
AETD2817	33 11/16" (856)	17 13/16" (452)	34 3/16" (868)	18 5/16" (465)	3.16 (0.29)	4.17 (0.39)
AETD3017	37 11/16" (957)	17 13/16" (452)	38 3/16" (970)	18 5/16" (465)	3.57 (0.33)	4.66 (0.43)
AETD3617	43 11/16" (1110)	17 13/16" (452)	44 3/16" (1122)	18 5/16" (465)	4.19 (0.39)	5.40 (0.50)
AETD4017	50 3/4" (1289)	17 13/16" (452)	51 1/4" (1302)	18 5/16" (465)	4.91 (0.46)	6.28 (0.58)
AETD5017	62 3/4" (1594)	17 13/16" (452)	63 1/4" (1607)	18 5/16" (465)	6.15 (0.57)	7.76 (0.72)
AETD5417	66 3/4" (1695)	17 13/16" (452)	67 1/4" (1708)	18 5/16" (465)	6.56 (0.61)	8.26 (0.77)
AETD6017	74 3/4" (1899)	17 13/16" (452)	75 1/4" (1911)	18 5/16" (465)	7.38 (0.69)	9.25 (0.86)
AETD7017	86 3/4" (2203)	17 13/16" (452)	87 1/4" (2216)	18 5/16" (465)	8.61 (0.80)	10.73 (1.00)
AETD08111	9 15/16" (252)	21 13/16" (554)	10 7/16" (265)	22 5/16" (567)	0.91 (0.08)	1.51 (0.14)
AETD10111	15 15/16" (405)	21 13/16" (554)	16 7/16" (418)	22 5/16" (567)	1.69 (0.16)	2.41 (0.22)
AETD20111	25 11/16" (652)	21 13/16" (554)	26 3/16" (665)	22 5/16" (567)	2.96 (0.27)	3.89 (0.36)
AETD26111	31 11/16" (805)	21 13/16" (554)	32 3/16" (818)	22 5/16" (567)	3.75 (0.35)	4.80 (0.45)
AETD28111	33 11/16" (856)	21 13/16" (554)	34 3/16" (868)	22 5/16" (567)	4.01 (0.37)	5.10 (0.47)
AETD30111	37 11/16" (957)	21 13/16" (554)	38 3/16" (970)	22 5/16" (567)	4.53 (0.42)	5.71 (0.53)

continued on next page



Custom-size windows are available in 1/8" (3) increments.



Direct-Set Rectangular Entry Door Transom

Direct-set transoms (AETD) provide maximum unobstructed glass. Direct-set dimensions and specifications shown.



Sash-Set Rectangular Entry Door Transoms

Sash-set single (AETXXX-1) and twin (AETXXX-2) transoms are also available. Contact your Andersen supplier for dimensions and specifications.

- "Transom Dimension" always refers to outside frame to frame dimension.
- "Minimum Rough Opening" dimensions may need to be increased to allow for use of building wraps, flashing, sill panning, brackets, fasteners or other items. See pages 288-289 for more details.
- Dimensions in parentheses are in millimeters or square meters.

Direct-Set Rectangular Entry Door Transom Dimensions and Specifications (continued)

Transom Number	Sidelight Dimensions		Min. Rough Opening		Glass Area Sq. Ft./ (m ²)	Overall Sidelight Area Sq. Ft./ (m ²)
	Width Inches/(mm)	Height Inches/(mm)	Width Inches/(mm)	Height Inches/(mm)		
AETD36111	43 11/16" (1110)	21 13/16" (554)	44 3/16" (1122)	22 5/16" (567)	5.32 (0.49)	6.62 (0.61)
AETD40111	50 3/4" (1289)	21 13/16" (554)	51 1/4" (1302)	22 5/16" (567)	6.24 (0.58)	7.69 (0.71)
AETD50111	62 3/4" (1594)	21 13/16" (554)	63 1/4" (1607)	22 5/16" (567)	7.81 (0.73)	9.51 (0.88)
AETD54111	66 3/4" (1695)	21 13/16" (554)	67 1/4" (1708)	22 5/16" (567)	8.33 (0.77)	10.11 (0.94)
AETD60111	74 3/4" (1899)	21 13/16" (554)	75 1/4" (1911)	22 5/16" (567)	9.37 (0.87)	11.32 (1.05)
AETD70111	86 3/4" (2203)	21 13/16" (554)	87 1/4" (2216)	22 5/16" (567)	10.94 (1.02)	13.14 (1.22)
AETD0827	9 15/16" (252)	30" (762)	10 7/16" (265)	30 1/2" (775)	1.30 (0.12)	2.07 (0.19)
AETD1027	15 15/16" (405)	30" (762)	16 7/16" (418)	30 1/2" (775)	2.43 (0.23)	3.32 (0.31)
AETD2027	25 11/16" (652)	30" (762)	26 3/16" (665)	30 1/2" (775)	4.25 (0.39)	5.35 (0.50)
AETD2627	31 11/16" (805)	30" (762)	32 3/16" (818)	30 1/2" (775)	5.38 (0.50)	6.60 (0.61)
AETD2827	33 11/16" (856)	30" (762)	34 3/16" (868)	30 1/2" (775)	5.75 (0.53)	7.02 (0.65)
AETD3027	37 11/16" (957)	30" (762)	38 3/16" (970)	30 1/2" (775)	6.50 (0.60)	7.85 (0.73)
AETD3627	43 11/16" (1110)	30" (762)	44 3/16" (1122)	30 1/2" (775)	7.63 (0.71)	9.10 (0.85)
AETD4027	50 3/4" (1289)	30" (762)	51 1/4" (1302)	30 1/2" (775)	8.95 (0.83)	10.57 (0.98)
AETD5027	62 3/4" (1594)	30" (762)	63 1/4" (1607)	30 1/2" (775)	11.20 (1.04)	13.07 (1.21)
AETD5427	66 3/4" (1695)	30" (762)	67 1/4" (1708)	30 1/2" (775)	11.95 (1.11)	13.91 (1.29)
AETD6027	74 3/4" (1899)	30" (762)	75 1/4" (1911)	30 1/2" (775)	13.45 (1.25)	15.57 (1.45)
AETD7027	86 3/4" (2203)	30" (762)	87 1/4" (2216)	30 1/2" (775)	15.70 (1.46)	18.07 (1.68)
AETD4029	50 3/4" (1289)	32" (813)	51 1/4" (1302)	32 1/2" (826)	9.62 (0.89)	11.28 (1.05)
AETD5029	62 3/4" (1594)	32" (813)	63 1/4" (1607)	32 1/2" (826)	12.03 (1.12)	13.94 (1.30)
AETD5429	66 3/4" (1695)	32" (813)	67 1/4" (1708)	32 1/2" (826)	12.84 (1.19)	14.83 (1.38)
AETD6029	74 3/4" (1899)	32" (813)	75 1/4" (1911)	32 1/2" (826)	14.45 (1.34)	16.61 (1.54)
AETD7029	86 3/4" (2203)	32" (813)	87 1/4" (2216)	32 1/2" (826)	16.87 (1.57)	19.28 (1.79)
AETD4041	50 3/4" (1289)	48" (1219)	51 1/4" (1302)	48 1/2" (1232)	14.92 (1.39)	16.92 (1.57)
AETD5041	62 3/4" (1594)	48" (1219)	63 1/4" (1607)	48 1/2" (1232)	18.67 (1.73)	20.92 (1.94)
AETD5441	66 3/4" (1695)	48" (1219)	67 1/4" (1708)	48 1/2" (1232)	19.92 (1.85)	22.25 (2.07)
AETD6041	74 3/4" (1899)	48" (1219)	75 1/4" (1911)	48 1/2" (1232)	22.42 (2.08)	24.92 (2.32)
AETD7041	86 3/4" (2203)	48" (1219)	87 1/4" (2216)	48 1/2" (1232)	26.17 (2.43)	28.92 (2.69)
AETD4051	50 3/4" (1289)	60" (1524)	51 1/4" (1302)	60 1/2" (1537)	18.90 (1.76)	21.15 (1.96)
AETD5051	62 3/4" (1594)	60" (1524)	63 1/4" (1607)	60 1/2" (1537)	23.65 (2.20)	26.15 (2.43)
AETD5451	66 3/4" (1695)	60" (1524)	67 1/4" (1708)	60 1/2" (1537)	25.23 (2.34)	27.81 (2.58)
AETD6051	74 3/4" (1899)	60" (1524)	75 1/4" (1911)	60 1/2" (1537)	28.40 (2.64)	31.15 (2.89)
AETD7051	86 3/4" (2203)	60" (1524)	87 1/4" (2216)	60 1/2" (1537)	33.15 (3.08)	36.15 (3.36)



Custom-size windows are available in 1/8" (3) increments.



Direct-Set Rectangular Entry Door Transom

Direct-set transoms (AETD) provide maximum unobstructed glass. Direct-set dimensions and specifications shown.



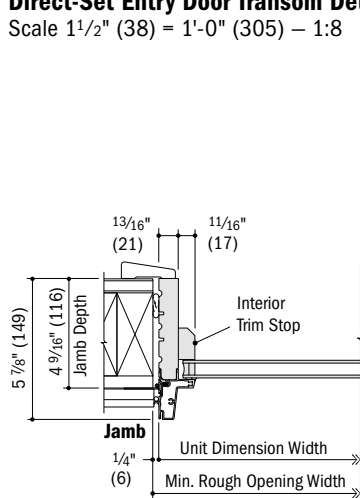
Sash-Set Rectangular Entry Door Transoms

Sash-set single (AETXXX-1) and twin (AETXXX-2) transoms are also available. Contact your Andersen supplier for dimensions and specifications.

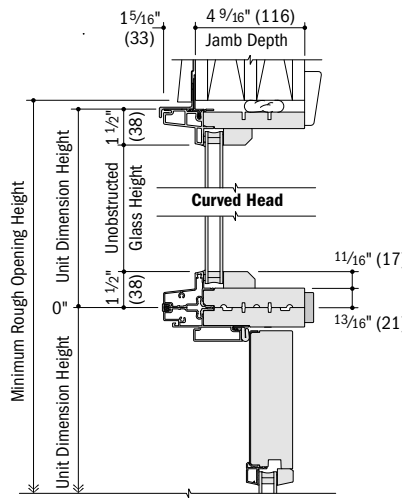
- "Transom Dimension" always refers to outside frame to frame dimension.
- "Minimum Rough Opening" dimensions may need to be increased to allow for use of building wraps, flashing, sill panning, brackets, fasteners or other items. See pages 288-289 for more details.
- Dimensions in parentheses are in millimeters or square meters.

Direct-Set Entry Door Transom Details

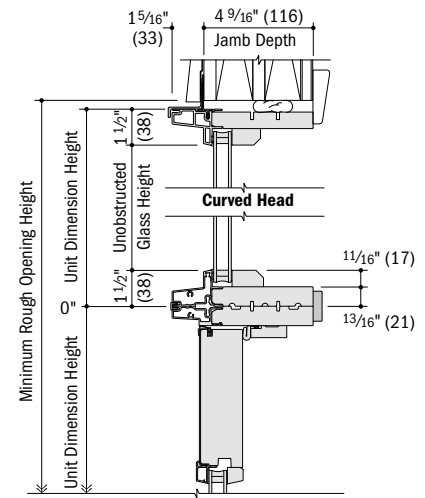
Scale 1 1/2" (38) = 1'-0" (305) – 1:8



Horizontal Section
Direct-Set



Vertical Section
Direct-Set over Inswing Entry Door



Vertical Section
Direct-Set over Outswing Entry Door

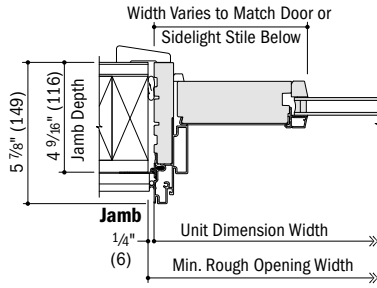
- 4 9/16" (116) jamb depth measurement is from backside of installation flange.
- Light-colored areas are parts included with window and/or door. Dark-colored areas are additional Andersen® parts required to complete window and/or door assembly as shown.
- **Rough openings may need to be increased to allow for use of building wraps, flashing, sill panning, brackets, fasteners or other items. See installation information on pages 288-289.**
- Details are for illustration only and are not intended to represent product installation methods or materials. Refer to product installation guides at andersenwindows.com.
- Dimensions in parentheses are in millimeters.
- Clad details shown, wood also available.
- Transoms are available in both 4 9/16" (116) and 6 9/16" (167) jamb depths.

Entranceways

ENTRY DOOR TRANSOMS

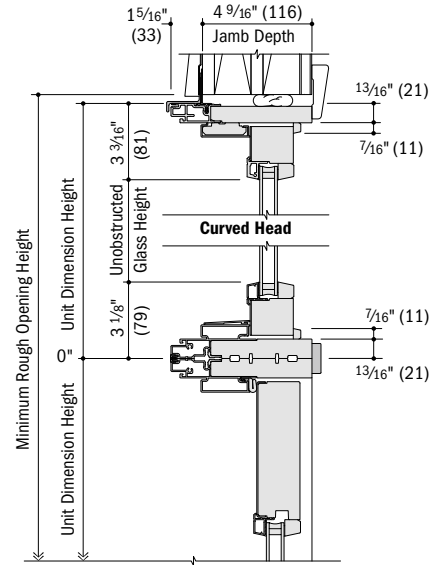
Sash-Set Entry Door Transom Details

Scale 1 1/2" (38) = 1'-0" (305) – 1:8



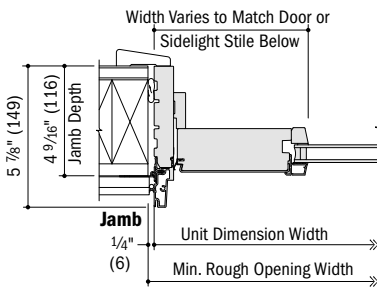
Horizontal Section

Sash-Set Transom for Inswing Entry Door



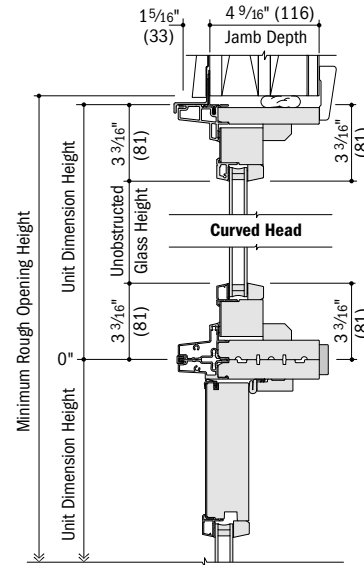
Vertical Section

Sash-Set Transom over Inswing Entry Door



Horizontal Section

Sash-Set Transom for Outswing Entry Door



Vertical Section

Sash-Set Transom over Outswing Entry Door

- 4 9/16" (116) jamb depth measurement is from backside of installation flange.
- Light-colored areas are parts included with window and/or door. Dark-colored areas are additional Andersen® parts required to complete window and/or door assembly as shown.
- **Rough openings may need to be increased to allow for use of building wraps, flashing, sill panning, brackets, fasteners or other items. See installation information on pages 288-289.**
- Details are for illustration only and are not intended to represent product installation methods or materials. Refer to product installation guides at andersenwindows.com.
- Dimensions in parentheses are in millimeters.
- Clad details shown, wood also available.
- Transoms are available in both 4 9/16" (116) and 6 9/16" (167) jamb depths.

FEATURES

Frame

A Standard commercial entry door sizes include 6'-10" (2083), 7'-1 5/16" (2167) and 7'-11" (2413) heights. Also available in custom sizes. Contact your Andersen supplier for details.

Thick aluminum cladding finish. Standard cladding finish meets AAMA 2604. An optional finish that meets the AAMA 2605 standard is available. Optional wood exteriors also available.

Interior extension jambs available in 1/16" (1.5) increments between 5 1/16" (129) and 12" (305).

Panel

B Standard offering is a 10" (254) bottom rail with 7 1/2" (191) top rail to conceal closure hardware. Optional 12" (305) bottom rail and custom width stiles are also available. Contact your Andersen supplier for details.

Complies with accessibility requirements for commercial and residential applications. See page 208 for details.

Commercial-grade ball-bearing hinges with a stainless steel look.



Sill



D Low-profile thermally broken mill-finished aluminum sill is standard. Bronze anodized finish is also available. Innovative dam design helps resist water infiltration. The sill can be extended to the interior for various wall conditions.

For more information about glass, grilles and installation accessories, contact your Andersen supplier.

Glass

C High-Performance glass options include:

- Low-E4® tempered glass
- Low-E4 HeatLock® tempered glass
- Low-E4 Sun tempered glass
- Low-E4 SmartSun™ tempered glass
- Low-E4 SmartSun HeatLock tempered glass

Additional glass options are available. Contact your Andersen supplier.

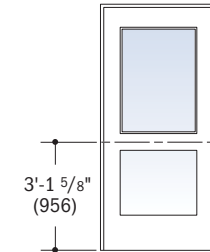
A removable translucent film helps shield the glass from damage during delivery and construction and simplifies finishing at the jobsite.

ACCESSORIES Sold Separately

Hardware

Accepts standard commercial closer, panic bar, kick plate and hardware systems from most manufacturers.

4 3/4" (121) intermediate rail can be added to facilitate mounting of exit hardware.



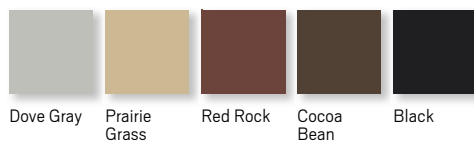
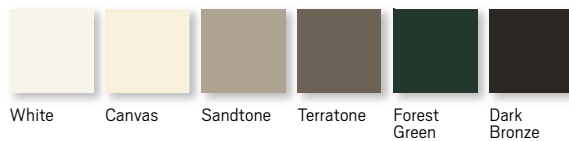
Grilles

Grilles are available in a variety of configurations and widths.

Art Glass

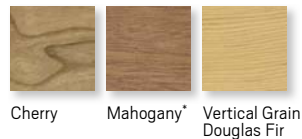
Decorative insulated art glass designs are available.

EXTERIOR



EXTERIOR / INTERIOR

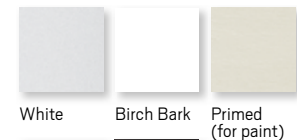
WOOD SPECIES (Additional species available)



Naturally occurring variations in grain, color and texture of wood make each door one-of-a-kind. All wood interiors are unfinished unless a painted option is specified.

INTERIOR

PAINTED OPTIONS



* Actual wood is Sapele, a non-endangered species of mahogany, grown in Africa, with color and characteristics similar to American mahoganies.




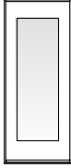
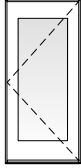
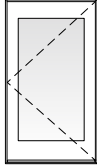
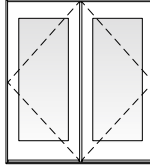



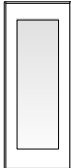
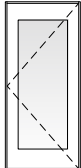
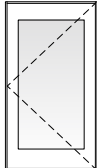
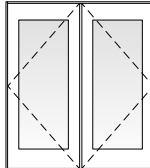




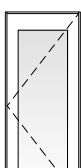
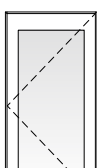
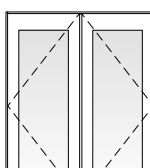
Dimensions in parentheses are in millimeters.

Printing limitations prevent exact duplication of colors and finishes. See your Andersen supplier for actual color and finish samples.

COMMERCIAL OUTSWING ENTRY DOORS

Table of Commercial Outswing Entry Door and Sidelight Sizes

Scale 1/8" = 1'-0" (1:96)

Door Dimension	1'-3 15/16" (405)	2'-1 11/16" (652)	2'-7 11/16" (805)	2'-9 11/16" (856)	3'-1 11/16" (957)	3'-9 15/16" (1167)	6'-2 3/4" (1899)
6'-10" (2083)							
7'-1 5/16" (2167)							
7'-11" (2413)							



Custom-size doors are available in 1/8" (3) increments.

Standard sizes shown. See page 209 for minimum rough opening dimensions, glass area dimensions and opening specifications.

Available in both 10" (254) and 12" (305) bottom rail heights. For additional stile widths and additional options contact your Andersen supplier. This door has a limited water rating (LW) due to the low-threshold sill. See page 211 for threshold and bottom rail details. Handle and lock are located between 34" (864) and 48" (1219).

For entry door transoms see page 204.

Check local building codes, including the Americans with Disabilities Act (ADA) accessibility.

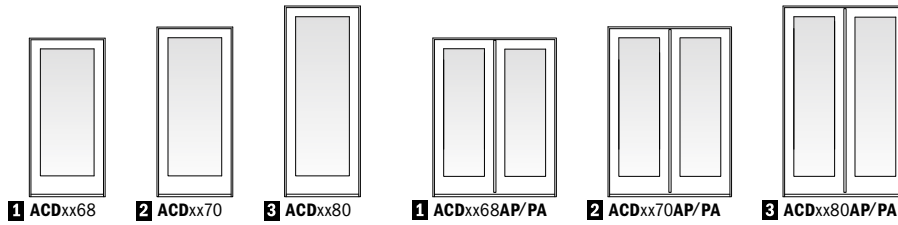
• Dimensions in parentheses are in millimeters.



Custom-size doors are available in 1/8" (3) increments.

Available in custom designed panels, see page 192.

Stationary doors are also available (i.e. 3068S or 4068SS).



Commercial Outswing Entry Door Dimensions and Specifications

Door Number	Number of Panels Open*	Min. Rough Opening				Clear Opening Area		Clear Opening Maximums			Glass Area Sq. Ft./ (m ²)	Vent Area Sq. Ft./ (m ²)	Overall Door Area Sq. Ft./ (m ²)
		Width Inches/(mm)	Height Inches/(mm)	Width Inches/(mm)	Height Inches/(mm)	Sq. Ft./ (m ²)	Sq. Ft./ (m ²)	90° Width Inches/(mm)	Full Width Inches/(mm)	Height Inches/(mm)			
ACD3068	1	37 11/16" (957)	82" (2083)	38 3/16" (970)	82 1/2" (2096)	19.45 (1.81)		33 1/8" (841)	35 1/16" (891)	79 1/8" (2029)	10.60 (0.98)	19.45 (1.81)	21.46 (1.99)
ACD3668	1	43 11/16" (1110)	82" (2083)	44 3/16" (1122)	82 1/2" (2096)	22.78 (2.12)		39 1/8" (994)	41 1/16" (1043)	79 1/8" (2029)	13.15 (1.22)	22.78 (2.12)	24.88 (2.31)
ACD3868	1	45 15/16" (1167)	82" (2083)	46 7/16" (1180)	82 1/2" (2180)	24.02 (2.23)		41 3/8" (1051)	43 5/16" (1100)	79 1/8" (2029)	14.11 (1.31)	24.02 (2.23)	26.16 (2.43)
ACD3070	1	37 11/16" (957)	85 5/16" (2167)	38 3/16" (970)	85 13/16" (2180)	20.26 (1.88)		33 1/8" (841)	35 1/16" (891)	83 3/16" (2113)	11.17 (1.04)	20.26 (1.88)	22.33 (2.07)
ACD3670	1	43 11/16" (1110)	85 5/16" (2167)	44 3/16" (1122)	85 13/16" (2180)	23.72 (2.20)		39 1/8" (994)	41 1/16" (1043)	83 3/16" (2113)	13.86 (1.29)	23.72 (2.20)	25.88 (2.40)
ACD3870	1	45 15/16" (1167)	85 5/16" (2167)	46 7/16" (1180)	85 13/16" (2426)	25.02 (2.32)		41 3/8" (1051)	43 5/16" (1100)	83 3/16" (2113)	14.87 (1.38)	25.02 (2.32)	27.22 (2.53)
ACD3080	1	37 11/16" (957)	95" (2413)	38 3/16" (970)	95 1/2" (2426)	22.61 (2.10)		33 1/8" (841)	35 1/16" (891)	92 1/8" (2359)	12.84 (1.19)	22.61 (2.10)	24.86 (2.31)
ACD3680	1	43 11/16" (1110)	95" (2413)	44 3/16" (1122)	95 1/2" (2426)	26.48 (2.46)		39 1/8" (994)	41 1/16" (1043)	92 1/8" (2359)	15.94 (1.48)	26.48 (2.46)	28.82 (2.68)
ACD3880	1	45 15/16" (1167)	95" (2413)	46 7/16" (1180)	95 1/2" (2096)	27.94 (2.60)		41 3/8" (1051)	43 5/16" (1100)	92 1/8" (2359)	17.10 (1.59)	27.94 (2.60)	30.31 (2.82)
ACD4068	2	50 3/4" (1289)	82" (2083)	51 1/4" (1302)	82 1/2" (2096)	26.69 (2.48)		44 3/16" (1122)	48 1/8" (1222)	79 1/8" (2029)	12.46 (1.16)	26.69 (2.48)	28.90 (2.68)
ACD4068	1	50 3/4" (1289)	82" (2083)	51 1/4" (1302)	82 1/2" (2096)	12.76 (1.19)	21" (533)	23" (584)	79 1/8" (2029)	12.46 (1.16)	12.76 (1.19)	28.90 (2.68)	
ACD5068	2	62 3/4" (1594)	82" (2083)	63 1/4" (1607)	82 1/2" (2096)	33.35 (3.10)		56 3/16" (1427)	60 1/8" (1527)	79 1/8" (2029)	16.08 (1.49)	33.35 (3.10)	35.73 (3.32)
ACD5068	1	62 3/4" (1594)	82" (2083)	63 1/4" (1607)	82 1/2" (2096)	16.09 (1.49)	27" (686)	29" (737)	79 1/8" (2029)	16.08 (1.49)	16.09 (1.49)	35.73 (3.32)	
ACD5468	2	66 3/4" (1695)	82" (2083)	67 1/4" (1708)	82 1/2" (2096)	35.57 (3.30)		60 3/16" (1529)	64 1/8" (1629)	79 1/8" (2029)	17.79 (1.65)	35.57 (3.30)	38.01 (3.53)
ACD5468	1	66 3/4" (1695)	82" (2083)	67 1/4" (1708)	82 1/2" (2096)	17.20 (1.60)	29" (737)	31" (787)	79 1/8" (2029)	17.79 (1.65)	17.20 (1.60)	38.01 (3.53)	
ACD6068	2	74 3/4" (1899)	82" (2083)	75 1/4" (1911)	82 1/2" (2096)	40.01 (3.72)		68 3/16" (1732)	72 1/8" (1832)	79 1/8" (2029)	21.20 (1.97)	40.01 (3.72)	42.57 (3.95)
ACD6068	1	74 3/4" (1899)	82" (2083)	75 1/4" (1911)	82 1/2" (2180)	19.41 (1.80)		33" (838)	35" (889)	79 1/8" (2029)	21.20 (1.97)	19.41 (1.80)	42.57 (3.95)
ACD4070	2	50 3/4" (1289)	85 5/16" (2167)	51 1/4" (1302)	85 13/16" (2180)	27.80 (2.58)		44 3/16" (1122)	48 1/8" (1222)	83 3/16" (2113)	13.13 (1.22)	27.80 (2.58)	30.07 (2.79)
ACD4070	1	50 3/4" (1289)	85 5/16" (2167)	51 1/4" (1302)	85 13/16" (2180)	13.29 (1.23)	21" (533)	23" (584)	83 3/16" (2113)	13.13 (1.22)	13.29 (1.23)	30.07 (2.79)	
ACD5070	2	62 3/4" (1594)	85 5/16" (2167)	63 1/4" (1607)	85 13/16" (2180)	34.73 (3.23)		56 3/16" (1427)	60 1/8" (1527)	83 3/16" (2113)	16.95 (1.57)	34.73 (3.23)	37.18 (3.45)
ACD5070	1	62 3/4" (1594)	85 5/16" (2167)	63 1/4" (1607)	85 13/16" (2180)	16.75 (1.56)	27" (686)	29" (737)	83 3/16" (2113)	16.95 (1.57)	16.75 (1.56)	37.18 (3.45)	
ACD5470	2	66 3/4" (1695)	85 5/16" (2167)	67 1/4" (1708)	85 13/16" (2180)	37.04 (3.44)		60 3/16" (1529)	64 1/8" (1629)	83 3/16" (2113)	18.75 (1.74)	37.04 (3.44)	39.55 (3.67)
ACD5470	1	66 3/4" (1695)	85 5/16" (2167)	67 1/4" (1708)	85 13/16" (2180)	17.91 (1.66)	29" (737)	31" (787)	83 3/16" (2113)	18.75 (1.74)	17.91 (1.66)	39.55 (3.67)	
ACD6070	2	74 3/4" (1899)	85 5/16" (2167)	75 1/4" (1911)	85 13/16" (2180)	41.67 (3.87)		68 3/16" (1732)	72 1/8" (1832)	83 3/16" (2113)	22.34 (2.08)	41.67 (3.87)	44.29 (4.11)
ACD6070	1	74 3/4" (1899)	85 5/16" (2167)	75 1/4" (1911)	85 13/16" (2426)	20.22 (1.88)		33" (838)	35" (889)	83 3/16" (2113)	22.34 (2.08)	20.22 (1.88)	44.29 (4.11)
ACD4080	2	50 3/4" (1289)	95" (2413)	51 1/4" (1302)	95 1/2" (2426)	31.04 (2.88)		44 3/16" (1122)	48 1/8" (1222)	92 1/8" (2359)	15.10 (1.40)	31.04 (2.88)	33.48 (3.11)
ACD4080	1	50 3/4" (1289)	95" (2413)	51 1/4" (1302)	95 1/2" (2426)	14.83 (1.38)	21" (533)	23" (584)	92 1/8" (2359)	15.10 (1.40)	14.83 (1.38)	33.48 (3.11)	
ACD5080	2	62 3/4" (1594)	95" (2413)	63 1/4" (1607)	95 1/2" (2426)	38.78 (3.60)		56 3/16" (1427)	60 1/8" (1527)	92 1/8" (2359)	19.49 (1.81)	38.78 (3.60)	41.40 (3.85)
ACD5080	1	62 3/4" (1594)	95" (2413)	63 1/4" (1607)	95 1/2" (2426)	18.70 (1.74)	27" (686)	29" (737)	92 1/8" (2359)	19.49 (1.81)	18.70 (1.74)	41.40 (3.85)	
ACD5480	2	66 3/4" (1695)	95" (2413)	67 1/4" (1708)	95 1/2" (2426)	41.36 (3.84)		60 3/16" (1529)	64 1/8" (1629)	92 1/8" (2359)	21.56 (2.00)	41.36 (3.84)	44.04 (4.09)
ACD5480	1	66 3/4" (1695)	95" (2413)	67 1/4" (1708)	95 1/2" (2426)	19.99 (1.86)	29" (737)	31" (787)	92 1/8" (2359)	21.56 (2.00)	19.99 (1.86)	44.04 (4.09)	
ACD6080	2	74 3/4" (1899)	95" (2413)	75 1/4" (1911)	95 1/2" (2426)	46.52 (4.32)		68 3/16" (1732)	72 1/8" (1832)	92 1/8" (2359)	25.69 (2.39)	46.52 (4.32)	49.31 (4.58)
ACD6080	1	74 3/4" (1899)	95" (2413)	75 1/4" (1911)	95 1/2" (2426)	22.57 (2.10)		33" (838)	35" (889)	92 1/8" (2359)	25.69 (2.39)	22.57 (2.10)	49.31 (4.58)

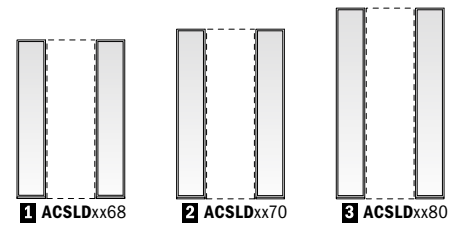
* "Door Dimension" always refers to outside frame to frame dimension.
 • "Minimum Rough Opening" dimensions may need to be increased to allow for use of building wraps, flashing, sill panning, brackets, fasteners or other items. See pages 288-289 for more details.
 • Dimensions in parentheses are in millimeters or square meters.
 * For two-panel patio doors with one panel open, clear opening is based on active panel being open and passive panel being closed.

COMMERCIAL OUTSWING ENTRY DOORS

Direct-Set Commercial Outswing Entry Door Sidelight Dimensions and Specifications

Sidelight Number	Sidelight Dimensions		Min. Rough Opening		Glass Area Sq. Ft./ (m ²)	Overall Sidelight Area Sq. Ft./ (m ²)
	Width Inches/(mm)	Height Inches/(mm)	Width Inches/(mm)	Height Inches/(mm)		
ACSLD0868	9 15/16" (252)	82" (2083)	10 7/16" (265)	82 1/2" (2096)	3.77 (0.35)	5.66 (0.53)
ACSLD1068	15 15/16" (405)	82" (2083)	16 7/16" (418)	82 1/2" (2096)	7.03 (0.65)	9.08 (0.84)
ACSLD2068	25 11/16" (652)	82" (2083)	26 3/16" (665)	82 1/2" (2096)	12.32 (1.14)	14.63 (1.36)
ACSLD3068	37 11/16" (957)	82" (2083)	38 3/16" (970)	82 1/2" (2096)	18.84 (1.75)	21.46 (1.99)
ACSLD0870	9 15/16" (252)	85 5/16" (2167)	10 7/16" (265)	85 13/16" (2180)	3.93 (0.37)	5.89 (0.55)
ACSLD1070	15 15/16" (405)	85 5/16" (2167)	16 7/16" (418)	85 13/16" (2180)	7.32 (0.68)	9.44 (0.88)
ACSLD2070	25 11/16" (652)	85 5/16" (2167)	26 3/16" (665)	85 13/16" (2180)	12.84 (1.19)	15.22 (1.41)
ACSLD3070	37 11/16" (957)	85 5/16" (2167)	38 3/16" (970)	85 13/16" (2180)	19.63 (1.82)	22.33 (2.07)
ACSLD0880	9 15/16" (252)	95" (2413)	10 7/16" (265)	95 1/2" (2426)	4.40 (0.41)	6.56 (0.61)
ACSLD1080	15 15/16" (405)	95" (2413)	16 7/16" (418)	95 1/2" (2426)	8.19 (0.76)	10.51 (0.98)
ACSLD2080	25 11/16" (652)	95" (2413)	26 3/16" (665)	95 1/2" (2426)	14.37 (1.33)	16.95 (1.57)
ACSLD3080	37 11/16" (957)	95" (2413)	38 3/16" (970)	95 1/2" (2426)	21.97 (2.04)	24.86 (2.31)

- "Sidelight Dimension" always refers to outside frame to frame dimension.
- "Minimum Rough Opening" dimensions may need to be increased to allow for use of building wraps, flashing, sill panning, brackets, fasteners or other items. See pages 288-289 for more details.
- Dimensions in parentheses are in millimeters or square meters.

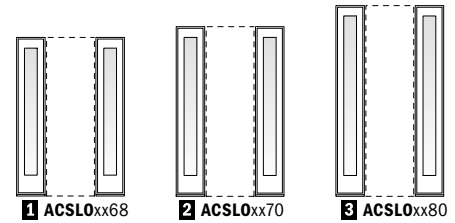


Direct-set (ACSLD) commercial outswing entry door sidelights.

Sash-Set Commercial Outswing Entry Door Sidelight Dimensions and Specifications

Sidelight Number	Sidelight Dimensions		Min. Rough Opening		Glass Area Sq. Ft./ (m ²)	Overall Sidelight Area Sq. Ft./ (m ²)
	Width Inches/(mm)	Height Inches/(mm)	Width Inches/(mm)	Height Inches/(mm)		
ACSL01068	15 15/16" (405)	82" (2083)	16 7/16" (418)	82 1/2" (2096)	3.41 (0.32)	9.08 (0.84)
ACSL02068	25 11/16" (652)	82" (2083)	26 3/16" (665)	82 1/2" (2096)	7.56 (0.70)	14.63 (1.36)
ACSL02668	31 11/16" (805)	82" (2083)	32 3/16" (818)	82 1/2" (2096)	8.79 (0.82)	18.04 (1.68)
ACSL02868	33 11/16" (856)	82" (2083)	34 3/16" (868)	82 1/2" (2096)	9.21 (0.86)	19.18 (1.78)
ACSL01070	15 15/16" (405)	85 5/16" (2167)	16 7/16" (418)	85 13/16" (2180)	3.59 (0.33)	9.44 (0.88)
ACSL02070	25 11/16" (652)	85 5/16" (2167)	26 3/16" (665)	85 13/16" (2180)	7.97 (0.74)	15.22 (1.41)
ACSL02670	31 11/16" (805)	85 5/16" (2167)	32 3/16" (818)	85 13/16" (2180)	9.26 (0.86)	18.77 (1.74)
ACSL02870	33 11/16" (856)	85 5/16" (2167)	34 3/16" (868)	85 13/16" (2180)	9.71 (0.90)	19.96 (1.85)
ACSL01080	15 15/16" (405)	95" (2413)	16 7/16" (418)	95 1/2" (2426)	4.13 (0.38)	10.51 (0.98)
ACSL02080	25 11/16" (652)	95" (2413)	26 3/16" (665)	95 1/2" (2426)	9.16 (0.85)	16.95 (1.57)
ACSL02680	31 11/16" (805)	95" (2413)	32 3/16" (818)	95 1/2" (2426)	10.65 (0.99)	20.9 (1.94)
ACSL02880	33 11/16" (856)	95" (2413)	34 3/16" (868)	95 1/2" (2426)	11.17 (1.04)	22.22 (2.06)

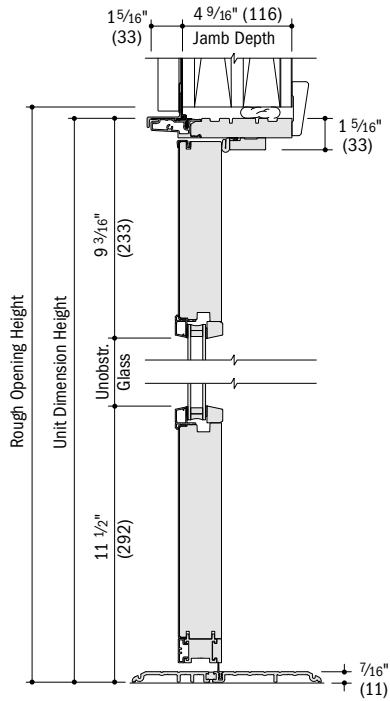
- "Sidelight Dimension" always refers to outside frame to frame dimension.
- "Minimum Rough Opening" dimensions may need to be increased to allow for use of building wraps, flashing, sill panning, brackets, fasteners or other items. See pages 288-289 for more details.
- Dimensions in parentheses are in millimeters or square meters.



Sash-set (ACSL0) commercial outswing entry door sidelights.

Commercial Outswing Entry Door Details

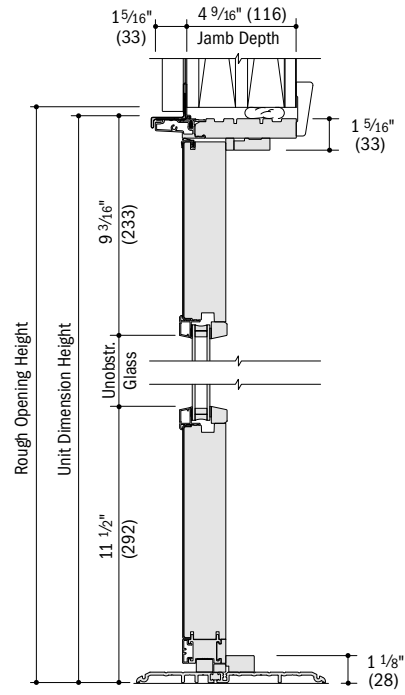
Scale 1 1/2" (38) = 1'-0" (305) – 1:8



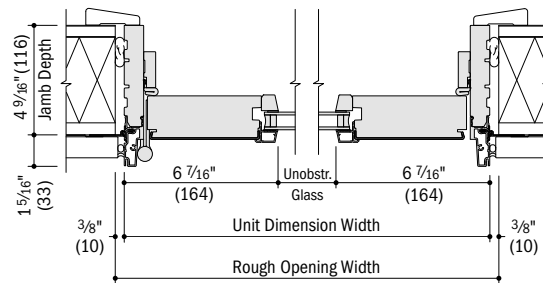
Vertical Section

Sash-Set Commercial Outswing Entry Door Sidelight Detail

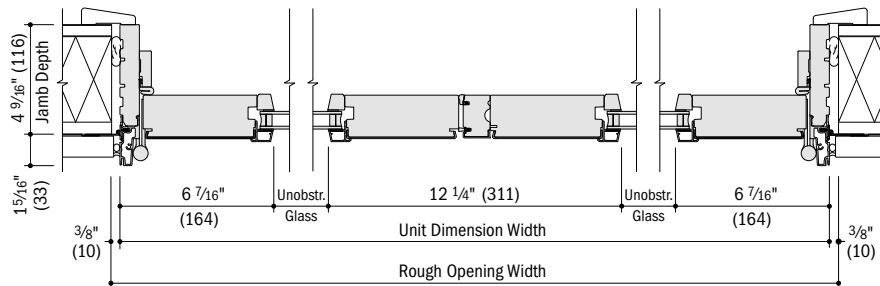
Scale 1 1/2" (38) = 1'-0" (305) – 1:8



Vertical Section



Horizontal Section

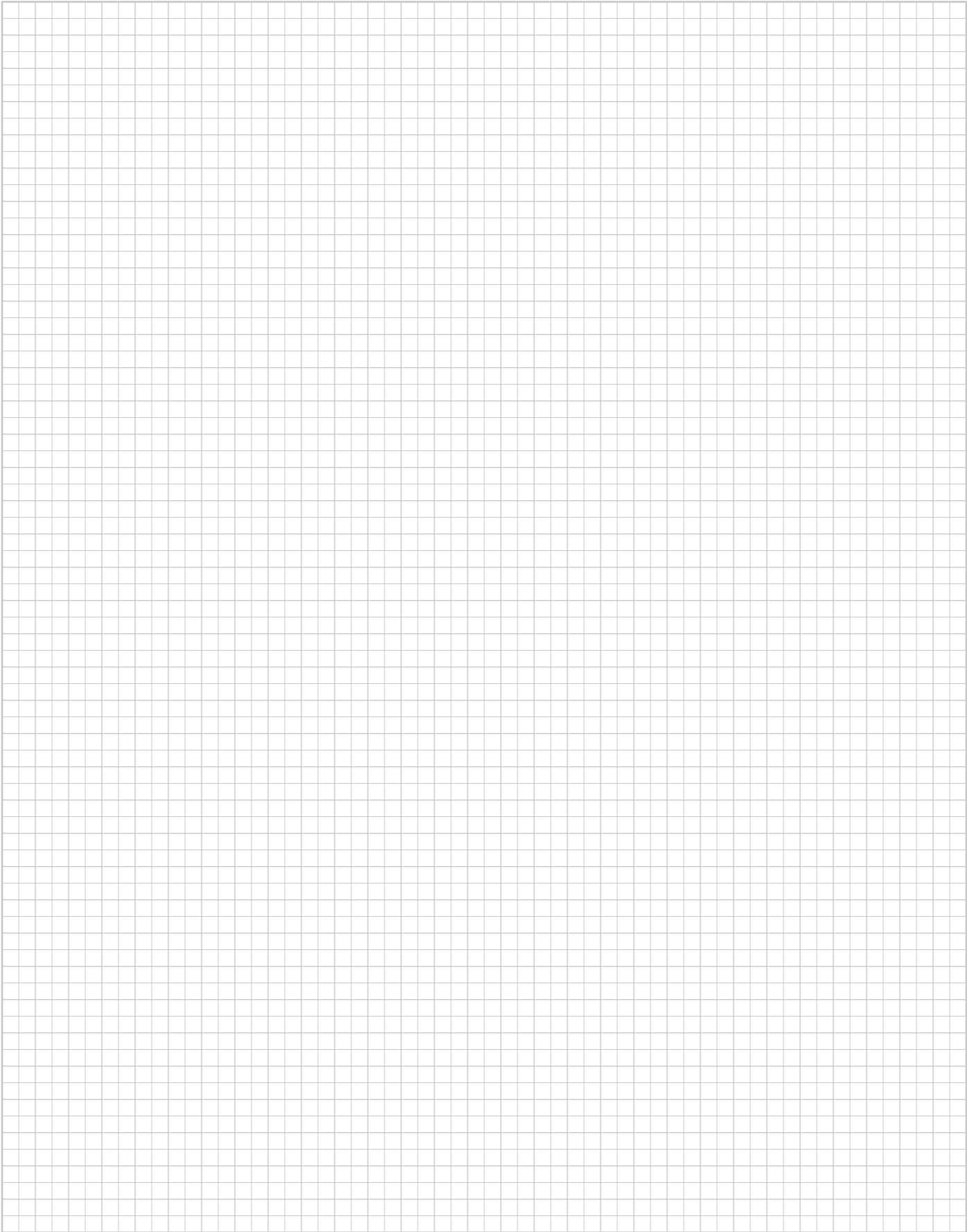


**Horizontal Section
Two-Panel**

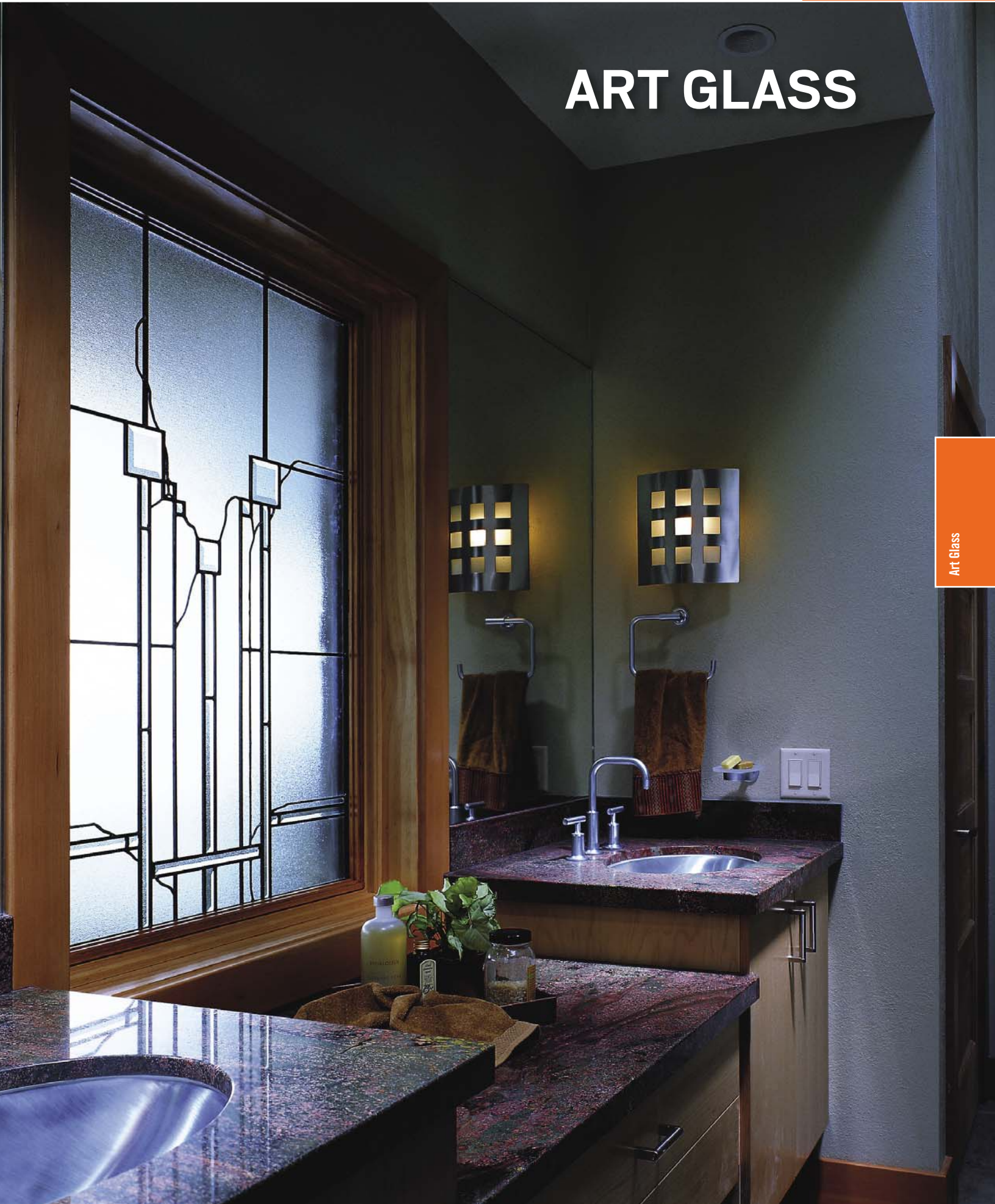
- 4 9/16" (116) jamb depth measurements are from backside of installation flange.
- Light-colored areas are parts included with door. Dark-colored areas are additional Andersen® parts required to complete door assembly as shown.
- **Rough openings may need to be increased to allow for use of building wraps, flashing, sill panning, brackets, fasteners or other items. See installation information on pages 288-289.**
- Details are for illustration only and are not intended to represent product installation methods or materials. Refer to unit installation guides at andersenwindow.com.
- Dimensions in parentheses are in millimeters.
- Clad details shown, wood also available.

Entranceways

NOTES PAGE



ART GLASS



ART GLASS

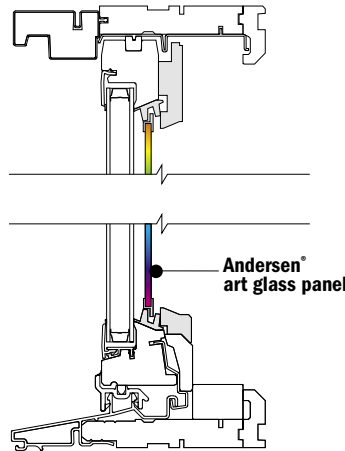
FEATURES

Frame

For most units, Andersen® art glass panel kits include pine and laminated maple trim to give each installation a finished appearance. Panels are edged with steel-reinforced zinc caming for stability. Caming finish options are available in antique (bronze), bright goldtone or silvertone.

Availability

Each design can be ordered in many shapes and sizes. Andersen art glass panels are sized to fit Andersen® casement, awning, half circle, elliptical, circle, oval, arch, Flexiframe®, double-hung transom and picture windows, Frenchwood® hinged patio doors, Frenchwood® patio door sidelights and Frenchwood® patio door transoms.



Package Includes

Andersen art glass panel, installation brackets, wood trim pieces (where applicable), brass screws and complete installation and cleaning instructions.

Pattern Details

Contact your Andersen supplier for more information — including detailed art glass patterns for specific unit sizes.

Glass

Designs are offered in several standard color palettes, or choose from the many optional colors for glass and accent “jewels” to create your own unique color combinations.

Installation

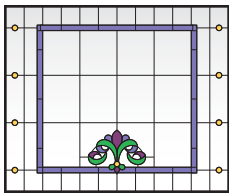
Panels are secured with polypropylene, snap-lock installation brackets.

Color Options

Contact your Andersen supplier for detailed information on color options for each glass. In addition, Andersen gives you a choice of antique, silvertone or bright goldtone caming, the ornamental material used to hold sections of decorative glass in place.

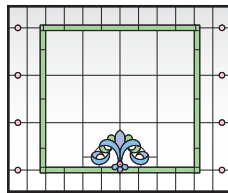
ART GLASS PATTERNS

CLASSIC SERIES



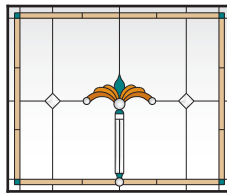
Victoria

Violet, deep rose, deep green and amber jewels



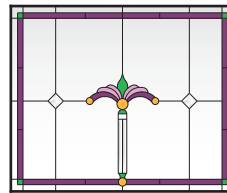
Victoria

Light green, lilac, light blue, pink jewels and lilac jewels



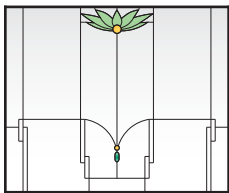
Regency

Sand, deep teal, topaz, copper and smoke jewels



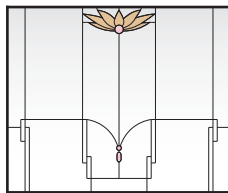
Regency

Deep rose, deep green, rose and opal amber jewels



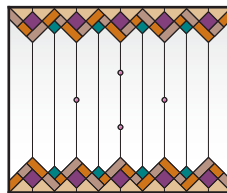
Lotus

Light green, amber jewels and green jewels



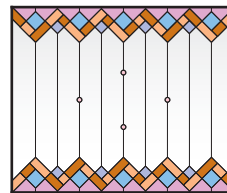
Lotus

Sand and pink jewels



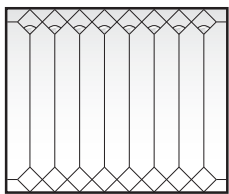
Taos

Dusty coral, copper, sand, deep rose, deep teal and lilac jewels



Taos

Peach, copper, rose, lilac, light blue and pink jewels

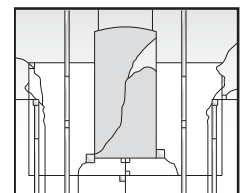


Diamond Lights

Clear fan-shaped bevels

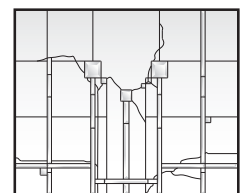
Classic Series glass patterns are also available with semi-privacy glass or clear antique glass in place of colored glass (except where indicated).

ARTISAN SERIES



Harmonics

Opal, sage and clear bevels (right orientation)



Affinity

No color, clear bevels (right orientation)

Artisan Series glass patterns are available in left or right orientations (as viewed from the exterior).

Andersen® art glass panel patterns vary based on window size and shape. Contact your Andersen supplier for complete pattern information. Colors in the Classic Series and Artisan Series may vary from photos and actual glass samples due to the unique character of the mouthblown glass. Art glass changes appearance greatly based on lighting in its environment, making it beautiful to look at, yet difficult to represent accurately in print. Printing limitations prevent exact color replication.

WINDOW & DOOR EXTERIOR TRIM



Exterior Trim

SECTION REFERENCE

3 ½" & 4 ½" Flat Detail.....	218
Brick Mould Detail	219
Sill Nose Detail.....	219
Decorative Drip Cap Detail	220
2" & 3 ⅝" Cornice Detail	220
Mull Cover Detail.....	220

EXTERIOR TRIM

FEATURES

ANDERSEN
INNOVATION

- A** For exceptional long-lasting* performance, exterior trim is made from Fibrex® material or high-density urethane with low-maintenance exterior finishes.
- B** Sill nose profile, made from Fibrex material, is placed at the sill for a traditional look.
- C** Ridged vinyl exterior trim attachment strips (field-applied) allow the trim to be securely fastened to the home.
- D** Trim surrounds are assembled with corner keys and stainless fasteners for stability and strength.



ENGINEERED WITH
FIBREX®

Our Fibrex material is an environmentally smart composite that contains 40% pre-consumer reclaimed wood fiber by weight.

Exterior Trim System

Profiles

Exterior trim is available in four profiles made from our Fibrex material. Profiles include 3 1/2" (89) flat, 4 1/2" (114) flat, 2" (51) brick mould, and sill nose for the bottom trim piece.

Corner Keys

Provide tight alignment of corner joints.

Fasteners

Screws are made of high-quality stainless steel and provide corner joints with a secure, tight fit.

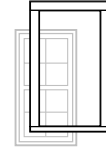
End Caps

Provide a clean appearance when joining the two trim members.

Drip Cap

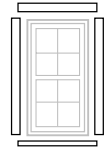
Full length, color matched aluminum drip cap is available with all assembly options.

Preassembled Trim Surrounds



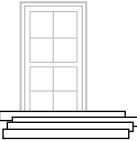
Factory-assembled surrounds install quickly and eliminate measuring, cutting, mitering and filling nail holes.

Precut Kits



Knock down kits include precut and predrilled trim with all the necessary components for on-site assembly for windows and patio doors up to 12' (3658) in width.

Individual Trim Components



13' (3962) factory-finished trim lineals, end caps, corner keys, fasteners, metal drip cap and field attachment strip allow for field fabrication and assembly.

Visualizer & Video

An online trim visualizer, installation guides and videos are available at andersenwindows.com/exteriortrim.

PROFILES



2" (51) BRICK MOULD
Dove Gray trim with Terratone window



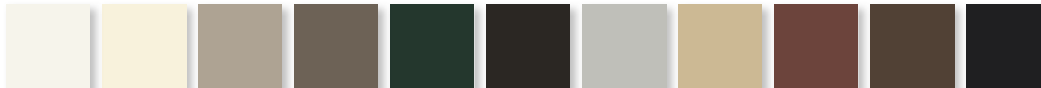
3 1/2" (89) FLAT
Dark Bronze trim with White window



4 1/2" (114) FLAT
Canvas trim with Forest Green window

COLORS

Trim can match or complement your window and door colors to create a wide range of combinations.



White Canvas Sandtone Terratone Forest Green Dark Bronze Dove Gray Prairie Grass Red Rock Cocoa Bean Black

Printing limitations prevent exact duplication of colors. See your Andersen supplier for actual color samples.

*Visit andersenwindows.com/warranty for details. Dimensions in parentheses are in millimeters.

HEAD TRIM OPTIONS

Head Trim Profiles

Three styles are available. All can be used with our flat trim and include an integrated nailing flange. The decorative drip cap is made from our Fibrex® material. Both the 2" (51) cornice and 3 5/8" (92) cornice are made from highly durable urethane material.



DECORATIVE DRIP CAP
 Red Rock trim with Sandtone window



2" (51) CORNICE
 Red Rock trim with Sandtone window



3 5/8" (92) CORNICE
 Red Rock trim with Sandtone window

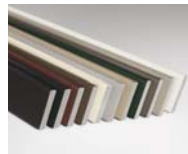
OTHER TRIM OPTIONS

Curved Trim



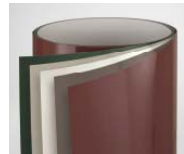
Made of highly durable factory-finished urethane material for selected curved shapes. Contact your Andersen supplier for availability.

3 1/2" (89) Flat Cellular Fibrex® Trim Board



3/4" (19) thick in 10' (3048) lengths and 11 colors. It can be ripped to size and fastened with screws or nails.

Coil Stock



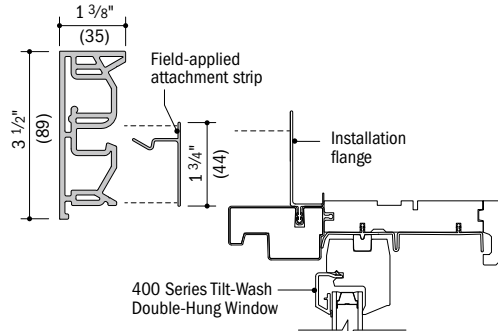
Factory-finished in 11 colors, our aluminum coil stock allows you to form your own profiles in the field.

EXTERIOR TRIM

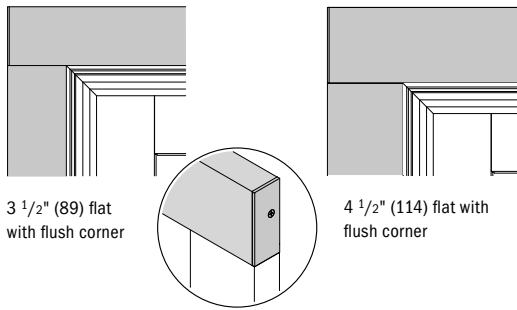
Window and Patio Door Attachment

Field-Applied Attachment Strip

Field-applied attachment strip fastens to framing through window or patio door installation flange and flashing tape with screws. Exterior trim connects securely to the field-applied attachment strip. Follow window and patio door installation guides for flashing instructions.



3 1/2" Flat and 4 1/2" Flat



3 1/2" (89) flat with flush corner

4 1/2" (114) flat with flush corner

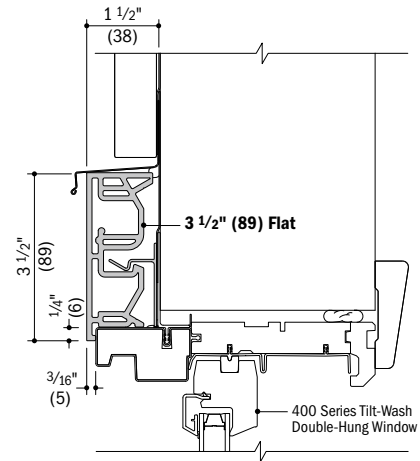
Formula for dimension of window/door plus exterior trim:

Add 4 1/4" (108) per side for 4 1/2" (114) flat

Add 3 1/4" (83) per side for 3 1/2" (89) flat

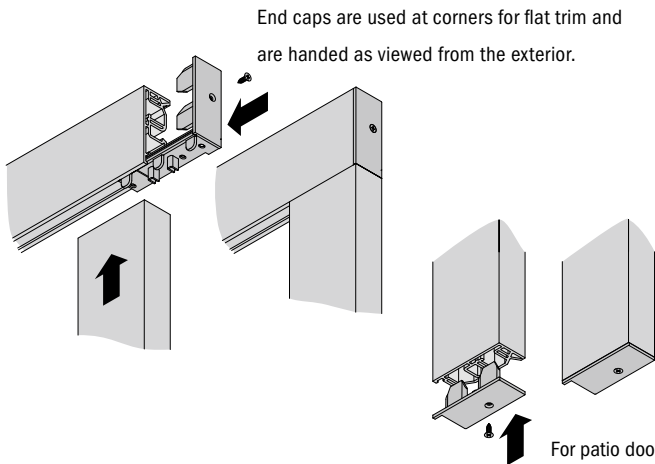
Trim Details

Scale 3" (76) = 1'-0" (305) – 1:4



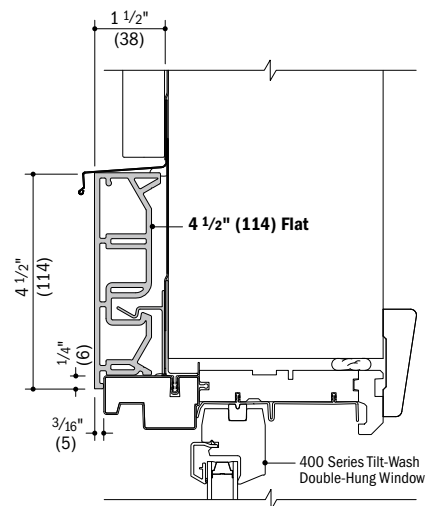
Vertical Section

3 1/2" (89) Flat/400 Series Tilt-Wash Double-Hung Window



End caps are used at corners for flat trim and are handed as viewed from the exterior.

For patio doors, end caps are used at the sill.

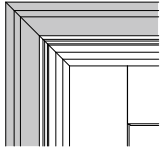


Vertical Section

4 1/2" (114) Flat/400 Series Tilt-Wash Double-Hung Window

- Dimensions in parentheses are in millimeters.
- Typical trim combinations shown. Additional combinations may also be used. Some restrictions apply. For more information contact your Andersen supplier.
- Details are for illustration only and are not intended to represent product installation methods or materials. Refer to product installation guides at andersenwindows.com.

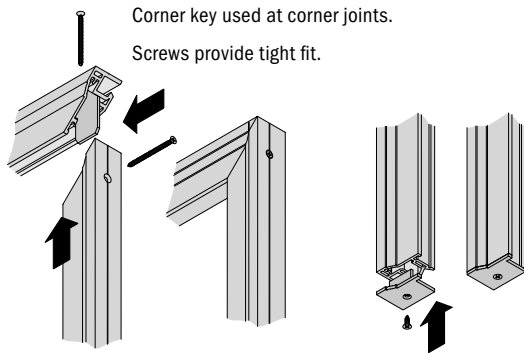
Brick Mould



Brick mould with mitered corners

Formula for dimension of window/door plus exterior trim:

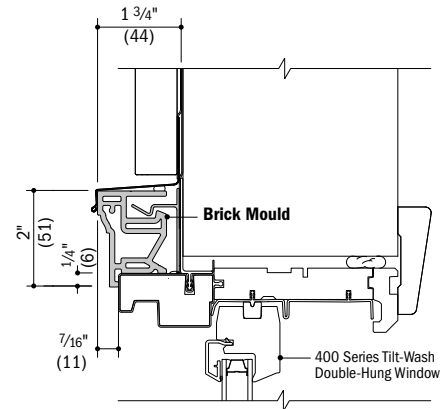
Add 1 3/4" (44) per side for brick mould



For patio doors, end caps are used at the sill.

Trim Detail

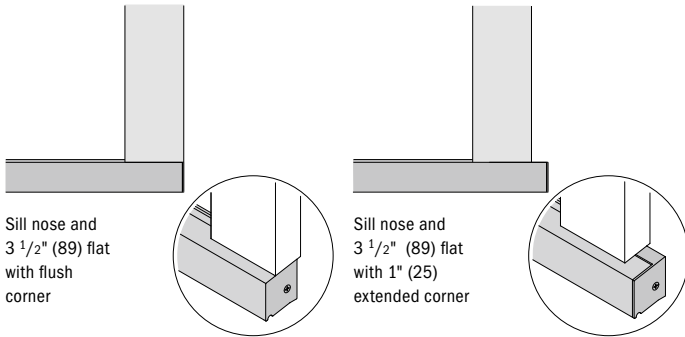
Scale 3" (76) = 1'-0" (305) – 1:4



Vertical Section

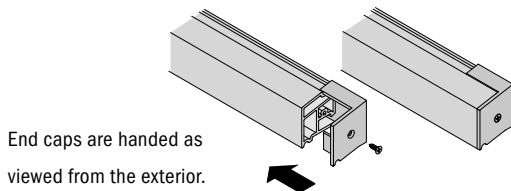
Brick Mould/400 Series Tilt-Wash Double-Hung Window

Sill Nose



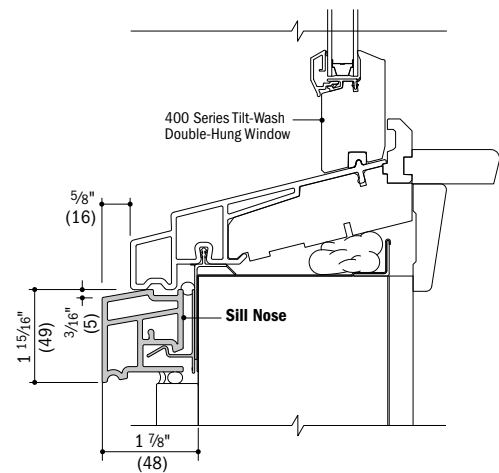
Formula for dimension of window plus exterior trim:

Add 1 15/16" (49) for sill nose



Trim Detail

Scale 3" (76) = 1'-0" (305) – 1:4



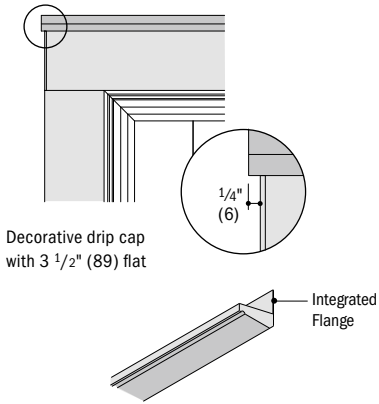
Vertical Section

Sill Nose/400 Series Tilt-Wash Double-Hung Window

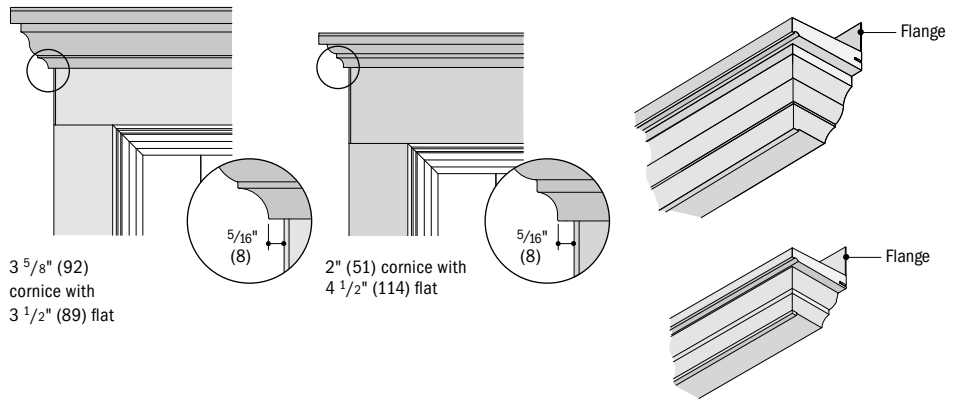
- Dimensions in parentheses are in millimeters.
- Typical trim combinations shown. Additional combinations may also be used. Some restrictions apply. For more information contact your Andersen supplier.
- Details are for illustration only and are not intended to represent product installation methods or materials. Refer to product installation guides at andersenwindows.com.

EXTERIOR TRIM

Decorative Drip Cap

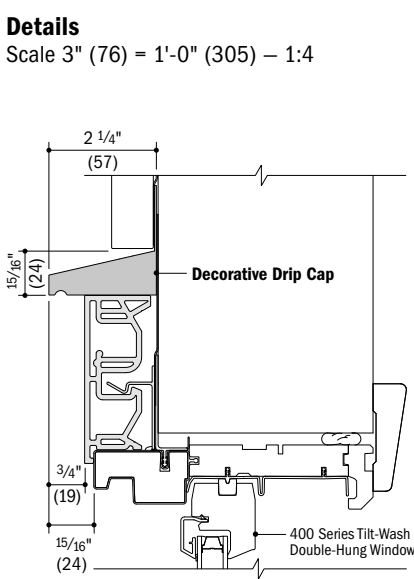


Cornices

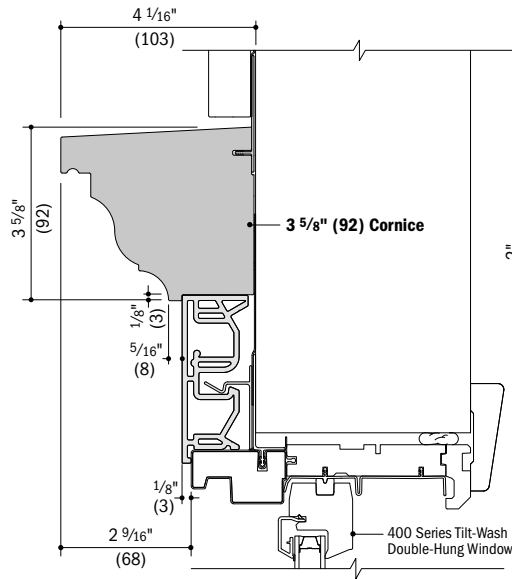


Details

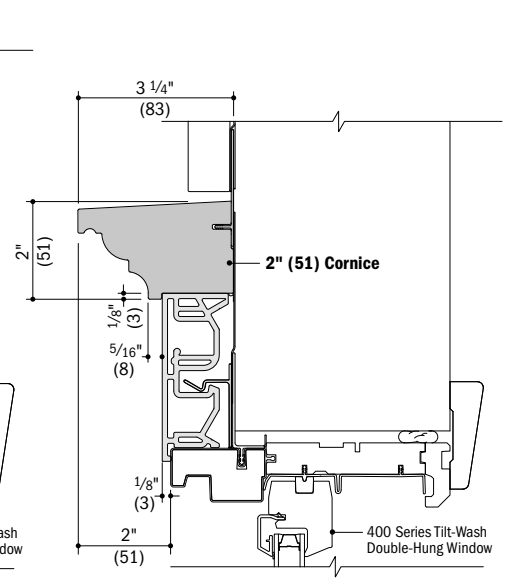
Scale 3" (76) = 1'-0" (305) - 1:4



Vertical Section
Decorative Drip Cap/3 1/2" (89) Flat
400 Series Tilt-Wash Double-Hung Window



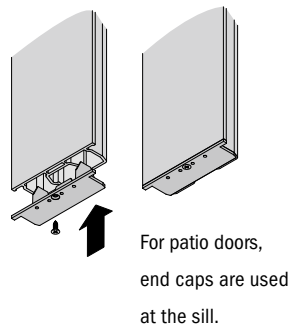
Vertical Section
3 5/8" (92) Cornice/3 1/2" (89) Flat
400 Series Tilt-Wash Double-Hung Window



Vertical Section
2" (51) Cornice/3 1/2" (89) Flat
400 Series Tilt-Wash Double-Hung Window

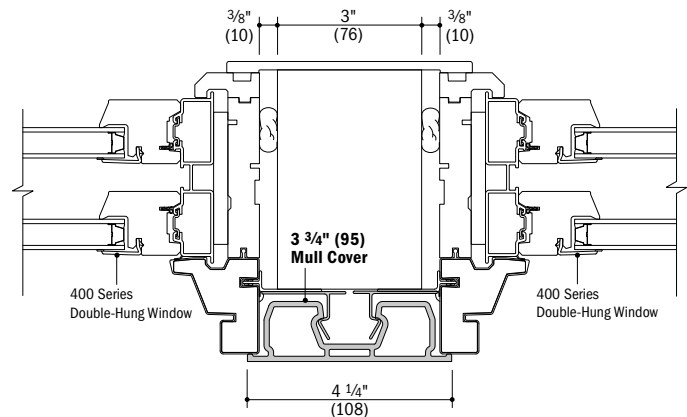
Mull Cover

3 3/4" (95) mull cover is available for installations where windows or patio doors have been installed into separate rough openings to obtain a joined appearance.



Separate Rough Opening Detail

Scale 3" (76) = 1'-0" (305) - 1:4



Horizontal Section
400 Series Double-Hung Window/Mull Cover/400 Series Double-Hung Window

- Dimensions in parentheses are in millimeters.
- Typical trim combinations shown. Additional combinations may also be used. Some restrictions apply. For more information contact your Andersen supplier.
- Details are for illustration only and are not intended to represent product installation methods or materials. Refer to product installation guides at andersenwindows.com.
- Consult with an architect or structural engineer regarding minimum requirements for structural support members between adjacent rough openings.

TILT-WASH DOUBLE-HUNG WINDOWS



200 Series
Tilt-Wash
Double-Hung Windows

SECTION REFERENCE

Tables of Sizes	223-224
Specifications	224-225
Grille Patterns	225
Window Details	226
Joining Details.....	226
Combination Designs	255
Product Performance.....	269
Warranty.....	290-291

TILT-WASH DOUBLE-HUNG WINDOWS

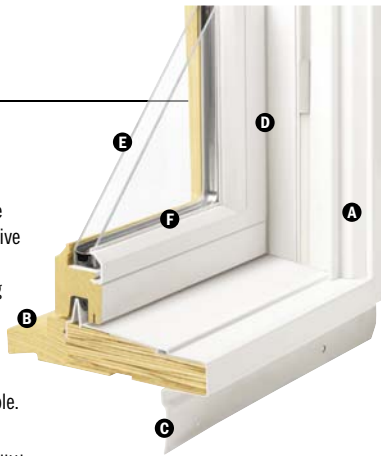
FEATURES

Frame

- A** Exterior outer frame members are treated with water-repellent preservative and covered with a rigid vinyl cover, minimizing maintenance and providing an attractive appearance.
- B** Interior surfaces are unfinished pine. Low-maintenance prefinished White interiors are available.
- C** Full-perimeter installation flange makes installation easy and fast with little or no adjustment. It's fixed, seamless and integrated with the exterior frame.
- D** Flexible weatherstripping around all four sides is factory-installed and provides a tight seal between the sash and frame.

Glass

- E** Choose Low-E, Low-E HeatLock®, Low-E SmartSun™, Low-E SmartSun HeatLock or dual-pane glass. Tempered glass and other glass options are available. Contact your Andersen supplier. A removable translucent film helps shield the glass from damage during delivery and construction and simplifies finishing at the jobsite.
- F** A rigid vinyl glazing bead, combined with high-grade silicone glazing bed, keeps the glass bonded firmly to the sash and helps minimize water and air infiltration.

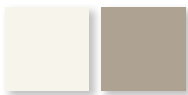


Sash



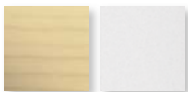
A convenient tilt-wash design makes it easy to clean the window from the inside. An in-sash balancer minimizes the view of the jamb liner, maximizing the amount of wood in the frame. Window can be secured through the side jambs to stud walls without hitting balancer.

EXTERIOR



White Sandtone

INTERIOR



Pine White

Naturally occurring variations in grain, color and texture of wood make each window one-of-a-kind. All wood interiors are unfinished unless prefinished White is specified. Oil rubbed bronze is a "living" finish that will change with time and use.

HARDWARE FINISHES



Antique Brass Black Bright Brass Gold Dust



Oil Rubbed Bronze Satin Nickel Stone White

DOUBLE-HUNG HARDWARE OPTIONS

LOCK & KEEPER



Antique Brass | Black | Bright Brass
Gold Dust | Oil Rubbed Bronze
Satin Nickel | **Stone** | White

CLASSIC SERIES™ LIFT**



Stone | **White**

Bold name denotes finish shown.

ACCESSORIES Sold Separately

Frame

Extension Jambs

Standard jamb depth is 3 1/4" (83). Extension jambs are available in unfinished pine or prefinished White. Some sizes may be veneered.

Factory-applied and non-applied extension jambs are available in 1/16" (1.5) increments between 4 3/16" (114) and 7 1/8" (181). Extension jambs can be factory-applied to either three sides (stool and apron) or four sides (picture frame casing).

Drywall Return

The 200 Series double-hung window is available with a narrow 3" (76) jamb depth with a flat interior surface for easy drywall return. Available in pine or prefinished White.

Two-Tone Option

200 Series tilt-wash double-hung windows are available with a two-tone color configuration, featuring a prefinished White interior and a Sandtone exterior. Some exterior components are visible from the interior. Corresponding picture and transom units, as well as grilles, are available to match.

Window Opening Control Device



A new recessed window opening control device is available factory-applied. It limits the sash travel to 4" (102) when the window is first opened. Available in Stone and White.

Security Sensors

Open/Closed Sensors

Wireless open/closed sensors are available in four colors. See page 30 for details.

Insect Screens

Insect Screen Frames



Choose full insect screen or half insect screen. Half insect screen (shown above) allows ventilation without affecting the view from the upper sash. Frames are available in colors to match product exteriors.

TruScene® Insect Screen

Exclusive Andersen® TruScene® insect screens provide over 50% more clarity than our conventional insect screens for a beautiful unobstructed view. They allow more fresh air and sunlight in, while doing a better job of keeping out small insects.

Conventional Insect Screen

Conventional insect screens have a long-lasting fiberglass screen mesh with a charcoal finish.

Exterior Trim

This product is available with Andersen® Exterior Trim. See pages 215-220 for details.

CAUTION:

- Painting and staining may cause damage to rigid vinyl.
- Do not paint 200 Series windows with White exteriors.
- Andersen does not warrant the adhesion or performance of homeowner-applied paint over vinyl or other factory-coated surfaces.
- 200 Series windows in Sandtone color may be painted any color lighter than Sandtone color using quality oil-base or latex paint.
- For vinyl painting instructions and preparation, contact your Andersen supplier.
- Do not paint weatherstripping.
- Creosote-based stains should not come in contact with Andersen products.
- Abrasive cleaners or solutions containing corrosive solvents should not be used on Andersen products.

For more information about **glass, grilles and TruScene® insect screen** see pages 10-16.

For more information about **combination designs, product performance, installation accessories and warranty** see pages 255-291 or visit



* Visit andersenwindows.com/warranty for details.

** Hardware sold separately.

Dimensions in parentheses are in millimeters.

Printing limitations prevent exact duplication of colors and finishes. See your Andersen supplier for actual color and finish samples.

Table of Tilt-Wash Transom and Double-Hung Window Sizes

Scale 1/8" (3) = 1'-0" (305) – 1:96

Window Dimension	1'-7 1/2"	1'-11 1/2"	2'-3 1/2"	2'-7 1/2"	2'-11 1/2"	3'-3 1/2"
	(495)	(597)	(699)	(800)	(902)	(1003)
Minimum Rough Opening	1'-8"	2'-0"	2'-4"	2'-8"	3'-0"	3'-4"
	(508)	(610)	(711)	(813)	(914)	(1016)
Unobstructed Glass (lower sash only)	13 1/2"	17 1/2"	21 1/2"	25 1/2"	29 1/2"	33 1/2"
	(343)	(445)	(546)	(648)	(749)	(851)

See Half Circle chart	1'-5 1/2"	1'-5 1/2"	1'-11 1/2"	2'-11 1/2"	3'-5 1/2"	3'-11 1/2"	4'-5 1/2"	4'-8 1/2"	4'-11 1/2"	5'-5 1/2"	5'-11 1/2"
	(292)	(445)	(597)	(902)	(1054)	(1207)	(1359)	(1435)	(1511)	(1664)	(1816)
	1'-0"	1'-6"	2'-0"	3'-0"	3'-6"	4'-0"	4'-6"	4'-9"	5'-0"	5'-6"	6'-0"
	(305)	(457)	(610)	(914)	(1067)	(1219)	(1372)	(1448)	(1524)	(1676)	(1829)
	5 1/2"	11 1/2"	17 1/2"	13 11/16"	16 11/16"	19 11/16"	22 11/16"	24 3/16"	25 11/16"	28 11/16"	31 11/16"
	(140)	(292)	(445)	(348)	(424)	(500)	(576)	(614)	(652)	(729)	(805)

244CT18	244CT20	244CT24	244CT28	244CT30	244CT34
244FX1810	244FX2010	244FX2410	244FX2810	244FX3010	244FX3410
244FX1816	244FX2016	244FX2416	244FX2816	244FX3016	244FX3416
244FX1820	244FX2020	244FX2420	244FX2820	244FX3020	244FX3420
244DH1830	244DH2030	244DH2430	244DH2830	244DH3030	244DH3430
244DH1836	244DH2036	244DH2436	244DH2836	244DH3036	244DH3436
244DH1840	244DH2040	244DH2440	244DH2840	244DH3040	244DH3440
244DH1846	244DH2046	244DH2446	244DH2846	244DH3046	244DH3446
244DH1849	244DH2049	244DH2449	244DH2849	244DH3049 ^o	244DH3449 ^o
244DH1850	244DH2050	244DH2450	244DH2850	244DH3050 ^o	244DH3450 ^o
244DH1856	244DH2056	244DH2456	244DH2856 ^o	244DH3056 ^o	244DH3456 ^o
244DH1860	244DH2060	244DH2460	244DH2860 ^o	244DH3060 ^o	244DH3460 ^o

Table of Tilt-Wash Half Circle Window Sizes

Scale 1/8" (3) = 1'-0" (305) – 1:96

Window Dimension	1'-7 1/2"	1'-11 1/2"
	(495)	(597)
Minimum Rough Opening	1'-8"	2'-0"
	(508)	(610)
Unobstructed Glass	13 1/2"	17 1/2"
	(343)	(445)

1'-0 5/8"	1'-1 1/8"	1'-3 1/8"	1'-2 5/8"
(321)	(333)	(384)	(219)
244CT18	244CT20	244CT24	244CT28
2'-3 1/2"	2'-4"	2'-7 1/2"	2'-11 1/2"
(699)	(711)	(800)	(902)
244CT24	244CT30	244CT34	
1'-4 5/8"	1'-5 1/8"	1'-7 1/8"	1'-6 5/8"
(422)	(435)	(486)	(321)
244CT24	244CT28	244CT30	244CT34
1'-8 5/8"	1'-9 1/8"	1'-2 5/8"	1'-10 5/8"
(524)	(537)	(371)	(422)
244CT30	244CT34		

Grille patterns shown on page 225.

• "Window Dimension" always refers to outside frame to frame dimension.
 • "Minimum Rough Opening" dimensions may need to be increased to allow for use of building wraps, flashing, sill panning, brackets, fasteners or other items. See pages 288-289 for more details.
 • Dimensions in parentheses are in millimeters.
^oMeet or exceed clear opening area of 5.7 sq. ft. or 0.53 m², clear opening width of 20" (508) and clear opening height of 24" (610). See table on page 225.

200 Series
Tilt-Wash
Double-Hung Windows

TILT-WASH DOUBLE-HUNG WINDOWS

Table of Tilt-Wash Picture Window Sizes

Scale 1/8" (3) = 1'-0" (305) – 1:96

Window Dimension	2'-11 1/2" (902)	3'-11 1/2" (1207)	4'-5 1/2" (1359)	4'-8 1/2" (1435)	4'-11 1/2" (1511)	5'-5 1/2" (1663)	5'-11 1/2" (1816)
Minimum Rough Opening	3'-0" (914)	4'-0" (1219)	4'-6" (1372)	4'-9" (1448)	5'-0" (1524)	5'-6" (1676)	6'-0" (1829)
Unobstructed Glass	29 1/2" (749)	41 1/2" (1054)	47 1/2" (1207)	50 1/2" (1283)	53 1/2" (1359)	59 1/2" (1511)	65 1/2" (1664)
2'-11 1/2" (902)							
3'-11 1/2" (1207)							
4'-5 1/2" (1359)							
4'-8 1/2" (1435)							
4'-11 1/2" (1511)							
5'-5 1/2" (1664)							
5'-11 1/2" (1816)							

Grille patterns shown on page 225.

- "Window Dimension" always refers to outside frame to frame dimension.
- "Minimum Rough Opening" dimensions may need to be increased to allow for use of building wraps, flashing, sill panning, brackets, fasteners or other items. See pages 288-289 for more details.
- Dimensions in parentheses are in millimeters.

Tilt-Wash Picture Window Area Specifications

Window Number	Glass Area Sq. Ft./ (m ²)	Overall Window Area Sq. Ft./ (m ²)
244FX3030	6.04 (0.56)	8.75 (0.81)
244FX3040	8.50 (0.79)	11.71 (1.09)
244FX3046	9.73 (0.90)	13.19 (1.23)
244FX3049	10.35 (0.96)	13.93 (1.29)
244FX3050	10.96 (1.02)	14.67 (1.36)
244FX3056	12.19 (1.13)	16.15 (1.50)
244FX3060	13.42 (1.25)	17.63 (1.64)
244FX4030	8.50 (0.79)	11.71 (1.09)
244FX4040	11.96 (1.11)	15.67 (1.46)
244FX4046	13.69 (1.27)	17.65 (1.64)
244FX4049	14.55 (1.35)	18.64 (1.73)
244FX4050	15.42 (1.43)	19.63 (1.82)
244FX4056	17.15 (1.59)	21.61 (2.01)
244FX4060	18.88 (1.75)	23.59 (2.19)
244FX4630	9.73 (0.90)	13.19 (1.23)

Window Number	Glass Area Sq. Ft./ (m ²)	Overall Window Area Sq. Ft./ (m ²)
244FX4640	13.69 (1.27)	17.65 (1.64)
244FX4646	15.67 (1.46)	19.88 (1.85)
244FX4649	16.66 (1.55)	21.00 (1.95)
244FX4650	17.65 (1.64)	22.11 (2.05)
244FX4656	19.63 (1.82)	24.34 (2.26)
244FX4660	21.61 (2.01)	26.56 (2.47)
244FX4930	10.35 (0.96)	13.93 (1.29)
244FX4940	14.55 (1.35)	18.64 (1.73)
244FX4946	16.66 (1.55)	21.00 (1.95)
244FX4949	17.71 (1.65)	22.17 (2.06)
244FX4950	18.76 (1.74)	23.35 (2.17)
244FX4956	20.87 (1.94)	25.70 (2.39)
244FX4960	22.97 (2.13)	28.05 (2.61)
244FX5030	10.96 (1.02)	14.67 (1.36)
244FX5040	15.42 (1.43)	19.63 (1.82)

Window Number	Glass Area Sq. Ft./ (m ²)	Overall Window Area Sq. Ft./ (m ²)
244FX5046	17.65 (1.64)	22.11 (2.05)
244FX5049	18.76 (1.74)	23.35 (2.17)
244FX5050	19.88 (1.85)	24.59 (2.28)
244FX5056	22.11 (2.05)	27.06 (2.51)
244FX5060	24.34 (2.26)	29.54 (2.75)
244FX5630	12.19 (1.13)	16.15 (1.50)
244FX5640	17.15 (1.59)	21.61 (2.01)
244FX5646	19.63 (1.82)	24.34 (2.26)
244FX5649	20.87 (1.94)	25.70 (2.39)
244FX5650	22.11 (2.05)	27.06 (2.51)
244FX6030	13.42 (1.25)	17.63 (1.64)
244FX6040	18.88 (1.75)	23.59 (2.19)
244FX6046	21.61 (2.01)	26.56 (2.47)
244FX6049	22.97 (2.13)	28.05 (2.61)
244FX6050	24.34 (2.26)	29.54 (2.75)

• Dimensions in parentheses are in square meters.

Tilt-Wash Double-Hung Window Opening and Area Specifications

Window Number	Clear Opening Area Sq. Ft./ (m ²)		Clear Opening in Full Open Position		Glass Area Sq. Ft./ (m ²)	Vent Area Sq. Ft./ (m ²)		Top of Subfloor to Top of Inside Sill Stop Inches/(mm)	Overall Window Area Sq. Ft./ (m ²)					
			Width Inches/(mm)	Height Inches/(mm)										
244DH1830	1.72	(0.16)	16.56"	(421)	14.95"	(380)	2.56	(0.24)	1.72	(0.16)	48.56"	(1233)	4.81	(0.45)
244DH1836	2.06	(0.19)	16.56"	(421)	17.95"	(456)	3.12	(0.29)	2.06	(0.19)	42.56"	(1081)	5.62	(0.52)
244DH1840	2.41	(0.22)	16.56"	(421)	20.95"	(532)	3.69	(0.34)	2.41	(0.22)	36.56"	(929)	6.43	(0.60)
244DH1846	2.75	(0.26)	16.56"	(421)	23.95"	(608)	4.25	(0.40)	2.75	(0.26)	30.56"	(776)	7.24	(0.67)
244DH1849	2.93	(0.27)	16.56"	(421)	25.45"	(647)	4.53	(0.42)	2.93	(0.27)	27.56"	(700)	7.65	(0.71)
244DH1850	3.10	(0.29)	16.56"	(421)	26.95"	(685)	4.81	(0.45)	3.10	(0.29)	24.56"	(624)	8.06	(0.75)
244DH1856	3.44	(0.32)	16.56"	(421)	29.95"	(761)	5.37	(0.45)	3.44	(0.32)	18.56"	(471)	8.87	(0.82)
244DH1860	3.79	(0.35)	16.56"	(421)	32.95"	(837)	5.94	(0.55)	3.79	(0.35)	12.56"	(319)	9.68	(0.90)
244DH2030	2.14	(0.20)	20.56"	(522)	14.95"	(380)	3.32	(0.31)	2.14	(0.20)	48.56"	(1233)	5.79	(0.54)
244DH2036	2.56	(0.24)	20.56"	(522)	17.95"	(456)	4.05	(0.38)	2.56	(0.24)	42.56"	(1081)	6.77	(0.63)
244DH2040	2.99	(0.28)	20.56"	(522)	20.95"	(532)	4.78	(0.44)	2.99	(0.28)	36.56"	(929)	7.75	(0.72)
244DH2046	3.42	(0.32)	20.56"	(522)	23.95"	(608)	5.51	(0.51)	3.42	(0.32)	30.56"	(776)	8.73	(0.81)
244DH2049	3.63	(0.34)	20.56"	(522)	25.45"	(647)	5.88	(0.55)	3.63	(0.34)	27.56"	(700)	9.22	(0.86)
244DH2050	3.85	(0.36)	20.56"	(522)	26.95"	(685)	6.24	(0.58)	3.85	(0.36)	24.56"	(624)	9.71	(0.90)
244DH2056	4.28	(0.40)	20.56"	(522)	29.95"	(761)	6.97	(0.65)	4.28	(0.40)	18.56"	(471)	10.69	(0.99)
244DH2060	4.71	(0.44)	20.56"	(522)	32.95"	(837)	7.70	(0.72)	4.71	(0.44)	12.56"	(319)	11.67	(1.08)
244DH2430	2.55	(0.24)	24.56"	(624)	14.95"	(380)	4.08	(0.38)	2.55	(0.24)	48.56"	(1233)	6.78	(0.63)
244DH2436	3.06	(0.28)	24.56"	(624)	17.95"	(456)	4.98	(0.46)	3.06	(0.28)	42.56"	(1081)	7.93	(0.74)
244DH2440	3.57	(0.33)	24.56"	(624)	20.95"	(532)	5.88	(0.55)	3.57	(0.33)	36.56"	(929)	9.07	(0.84)
244DH2446	4.09	(0.38)	24.56"	(624)	23.95"	(608)	6.77	(0.63)	4.09	(0.38)	30.56"	(776)	10.22	(0.95)
244DH2449	4.34	(0.40)	24.56"	(624)	25.45"	(647)	7.22	(0.67)	4.34	(0.40)	27.56"	(700)	10.79	(1.00)
244DH2450	4.60	(0.43)	24.56"	(624)	26.95"	(685)	7.67	(0.71)	4.60	(0.43)	24.56"	(624)	11.36	(1.06)
244DH2456	5.11	(0.48)	24.56"	(624)	29.95"	(761)	8.56	(0.80)	5.11	(0.48)	18.56"	(471)	12.51	(1.16)
244DH2460	5.62	(0.52)	24.56"	(624)	32.95"	(837)	9.46	(0.88)	5.62	(0.52)	12.56"	(319)	13.65	(1.27)
244DH2830	2.97	(0.28)	28.56"	(725)	14.95"	(380)	4.84	(0.45)	2.97	(0.28)	48.56"	(1233)	7.77	(0.72)
244DH2836	3.56	(0.33)	28.56"	(725)	17.95"	(456)	5.91	(0.55)	3.56	(0.33)	42.56"	(1081)	9.08	(0.91)
244DH2840	4.16	(0.39)	28.56"	(725)	20.95"	(532)	6.97	(0.65)	4.16	(0.39)	36.56"	(929)	10.39	(0.97)
244DH2846	4.75	(0.44)	28.56"	(725)	23.95"	(608)	8.03	(0.75)	4.75	(0.44)	30.56"	(776)	11.70	(1.09)
244DH2849	5.05	(0.47)	28.56"	(725)	25.45"	(647)	8.56	(0.80)	5.05	(0.47)	27.56"	(700)	12.36	(1.15)
244DH2850	5.35	(0.50)	28.56"	(725)	26.95"	(685)	9.09	(0.84)	5.35	(0.50)	24.56"	(624)	13.02	(1.21)
244DH2856 ◊	5.94	(0.55)	28.56"	(725)	29.95"	(761)	10.16	(0.94)	5.94	(0.55)	18.56"	(471)	14.33	(1.33)
244DH2860 ◊	6.54	(0.61)	28.56"	(725)	32.95"	(837)	11.22	(1.04)	6.54	(0.61)	12.56"	(319)	15.64	(1.45)
244DH3030	3.38	(0.31)	32.56"	(827)	14.95"	(380)	5.60	(0.52)	3.38	(0.31)	48.56"	(1233)	8.75	(0.81)
244DH3036	4.06	(0.38)	32.56"	(827)	17.95"	(456)	6.83	(0.64)	4.06	(0.38)	42.56"	(1081)	10.23	(0.95)
244DH3040	4.74	(0.44)	32.56"	(827)	20.95"	(532)	8.06	(0.75)	4.74	(0.44)	36.56"	(929)	11.71	(1.09)
244DH3046	5.42	(0.50)	32.56"	(827)	23.95"	(608)	9.29	(0.86)	5.42	(0.50)	30.56"	(776)	13.19	(1.23)
244DH3049 ◊	5.76	(0.54)	32.56"	(827)	25.45"	(647)	9.91	(0.92)	5.76	(0.54)	27.56"	(700)	13.93	(1.29)
244DH3050 ◊	6.09	(0.57)	32.56"	(827)	26.95"	(685)	10.52	(0.98)	6.09	(0.57)	24.56"	(624)	14.67	(1.36)
244DH3056 ◊	6.77	(0.63)	32.56"	(827)	29.95"	(761)	11.75	(1.09)	6.77	(0.63)	18.56"	(471)	16.15	(1.50)
244DH3060 ◊	7.45	(0.69)	32.56"	(827)	32.95"	(837)	12.98	(1.21)	7.45	(0.69)	12.56"	(319)	17.63	(1.64)
244DH3430	3.80	(0.35)	36.56"	(929)	14.95"	(380)	6.36	(0.59)	3.80	(0.35)	48.56"	(1233)	9.74	(0.91)
244DH3436	4.56	(0.42)	36.56"	(929)	17.95"	(456)	7.76	(0.72)	4.56	(0.42)	42.56"	(1081)	11.38	(1.06)
244DH3440	5.32	(0.49)	36.56"	(929)	20.95"	(532)	9.16	(0.85)	5.32	(0.49)	36.56"	(929)	13.03	(1.21)
244DH3446	6.08	(0.57)	36.56"	(929)	23.95"	(608)	10.55	(0.98)	6.08	(0.57)	30.56"	(776)	14.68	(1.36)
244DH3449 ◊	6.46	(0.60)	36.56"	(929)	25.45"	(647)	11.25	(1.05)	6.46	(0.60)	27.56"	(700)	15.50	(1.44)
244DH3450 ◊	6.84	(0.64)	36.56"	(929)	26.95"	(685)	11.95	(1.11)	6.84	(0.64)	24.56"	(624)	16.32	(1.52)
244DH3456 ◊	7.61	(0.71)	36.56"	(929)	29.95"	(761)	13.34	(1.24)	7.61	(0.71)	18.56"	(471)	17.97	(1.67)
244DH3460 ◊	8.37	(0.78)	36.56"	(929)	32.95"	(837)	14.74	(1.37)	8.37	(0.78)	12.56"	(319)	19.61	(1.82)

Tilt-Wash Transom Window Specifications

Window Number	Glass Area Sq. Ft./ (m ²)	Overall Window Area Sq. Ft./ (m ²)
244FX1810	0.52 (0.05)	1.56 (0.15)
244FX1816	1.08 (0.10)	2.37 (0.22)
244FX1820	1.64 (0.15)	3.18 (0.30)
244FX2010	0.67 (0.06)	1.88 (0.17)
244FX2016	1.40 (0.13)	2.86 (0.27)
244FX2020	2.13 (0.20)	3.84 (0.36)
244FX2410	0.82 (0.08)	2.20 (0.20)
244FX2416	1.72 (0.16)	3.34 (0.31)
244FX2420	2.61 (0.24)	4.49 (0.42)
244FX2810	0.97 (0.09)	2.52 (0.23)
244FX2816	2.04 (0.19)	3.83 (0.36)
244FX2820	3.10 (0.29)	5.14 (0.48)
244FX3010	1.13 (0.11)	2.84 (0.26)
244FX3016	2.36 (0.22)	4.31 (0.40)
244FX3020	3.59 (0.33)	5.79 (0.54)
244FX3410	1.28 (0.12)	3.15 (0.29)
244FX3416	2.68 (0.25)	4.80 (0.45)
244FX3420	4.07 (0.38)	6.45 (0.60)

Tilt-Wash Half Circle Area Specifications

Window Number	Glass Area Sq. Ft./ (m ²)	Overall Window Area Sq. Ft./ (m ²)
244CT18	0.50 (0.05)	1.43 (0.13)
244CT20	0.84 (0.08)	1.98 (0.18)
244CT24	1.26 (0.12)	2.61 (0.24)
244CT28	1.77 (0.16)	3.33 (0.31)
244CT30	2.37 (0.22)	4.15 (0.39)
244CT34	3.06 (0.28)	5.04 (0.47)

• Dimensions in parentheses are in square meters.

• "Top of Subfloor to Top of Inside Sill Stop" is calculated based upon a structural header height of 6'-10 1/2" (2096).
• Dimensions in parentheses are in millimeters or square meters.
◊ Meet or exceed clear opening area of 5.7 sq. ft. or 0.53 m², clear opening width of 20" (508) and clear opening height of 24" (610).

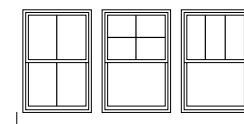
200 Series
Tilt-Wash
Double-Hung Windows

Grille Patterns

	Prairie A	Colonial		Prairie A	Colonial		Sunburst	Renaissance
Tilt-Wash Double-Hung			Tilt-Wash Transom			Tilt-Wash Half Circle		
			Tilt-Wash Picture					

Patterns are available for all units also in upper sash only (USO). **Number of lights and overall pattern varies with window size. Patterns are not available in all configurations.**

Specified equal light and custom patterns are also available. For more information on divided light, see page 11 or visit andersenwindows.com/grilles.

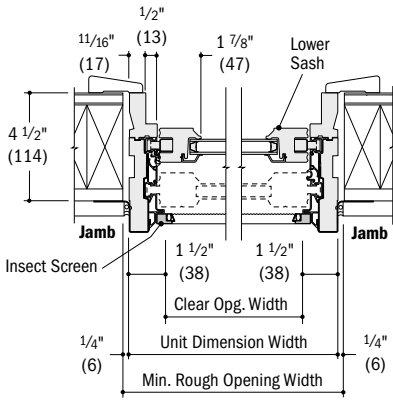
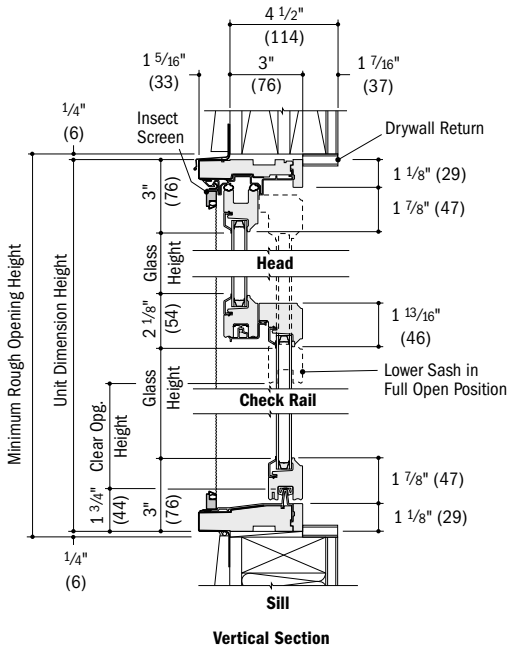


Specified Equal Light Examples

TILT-WASH DOUBLE-HUNG WINDOWS

Tilt-Wash Double-Hung Window Details

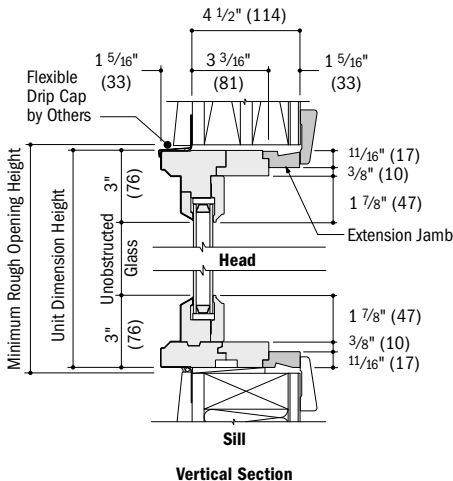
Scale 1 1/2" (38) = 1'-0" (305) – 1:8



Horizontal Section

Tilt-Wash Half Circle Window Detail

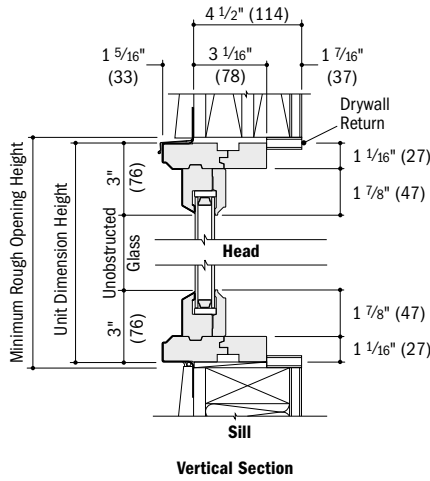
Scale 1 1/2" (38) = 1'-0" (305) – 1:8



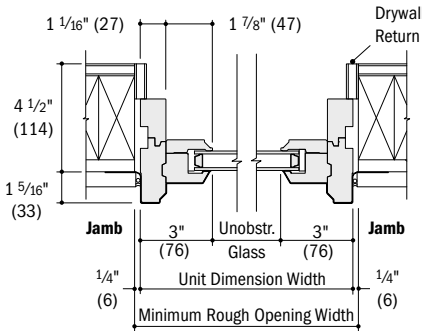
Vertical Section

Tilt-Wash Picture/Transom Window Details

Scale 1 1/2" (38) = 1'-0" (305) – 1:8



Vertical Section



Horizontal Section

Vertical (ribbon) Joining Detail

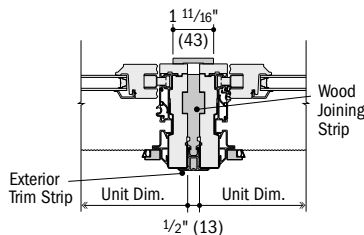
Scale 1 1/2" (38) = 1'-0" (305) – 1:8

Overall Window Dimension Width

Sum of individual window widths plus 1/2" (13) for each join.

Overall Rough Opening Width

Overall window dimension width plus 1/2" (13).

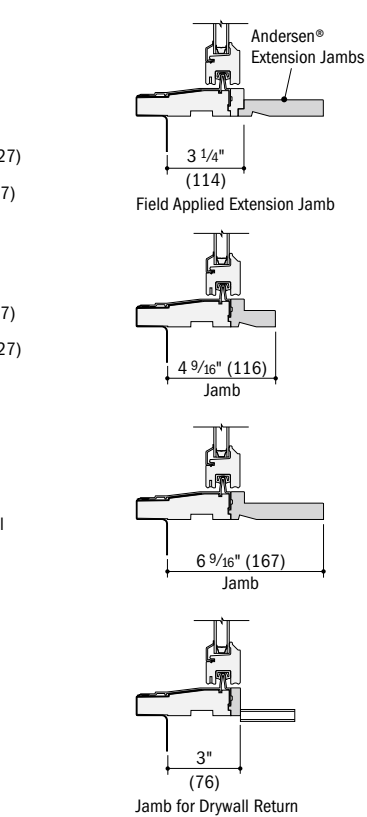


Horizontal Section

Tilt-Wash Double-Hung to Tilt-Wash Double-Hung

Extension Jamb Details

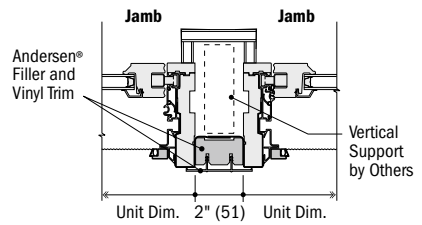
Scale 1 1/2" (38) = 1'-0" (305) – 1:8



Separate Rough Openings Detail

Scale 1 1/2" (38) = 1'-0" (305) – 1:8

To meet structural requirements or to achieve a wider joined appearance, windows may be installed into separate rough openings having vertical support (by others) in combination with Andersen® exterior filler and exterior vinyl trim.



Horizontal Section

Tilt-Wash Double-Hung and Tilt-Wash Double-Hung

For more joining information, see the combination designs section starting on page 255.

- Light-colored areas are parts included with window. Dark-colored areas are additional Andersen® parts required to complete window assembly as shown.
- **Rough openings may need to be increased to allow for use of building wraps, flashing, sill panning, brackets, fasteners or other items. See installation information on pages 288-289.**
- Details are for illustration only and are not intended to represent product installation methods or materials. Refer to product installation guides at andersenwindows.com.
- Consult with an architect or structural engineer regarding minimum requirements for structural support members between adjacent rough openings.
- Dimensions in parentheses are in millimeters.

GLIDING WINDOWS



SECTION REFERENCE

Tables of Sizes	229-230
Specifications	231
Grille Patterns	230
Window Details	231-232
Product Performance.....	269
Warranty.....	290-291

GLIDING WINDOWS

FEATURES

Frame

- A** The exterior of the frame is covered with a seamless rigid vinyl cover to eliminate corner joints/welds and strengthen rigidity. It provides an attractive appearance while minimizing maintenance.
- B** Laminated veneer lumber frame provides increased rigidity and minimizes racking during installation. It is treated with a water-repellent wood preservative for long-lasting* protection and performance.
- C** Full-perimeter installation flange makes installation easy and fast with little or no adjustment. It's fixed, seamless and totally integrated with the frame for weathertightness.
- D** Flexible weatherstripping around all four sides is factory-installed and provides a tight seal between the sash and frame.

Sash

- E** A polyester stabilized coat with a Flexacron® finish is electrostatically applied to penetrate all exterior surfaces for maximum protection and a lustrous finish.
- F** Wood sash members are treated with a water-repellent wood preservative for long-lasting* protection and performance.
- G** Sash interior surfaces are unfinished pine. Prefinished White interiors are also available.



- H** Raised track system makes operation less sensitive to dirt build-up for continually smooth performance.

Glass

- I** Choose Low-E, Low-E HeatLock®, Low-E SmartSun™, Low-E SmartSun HeatLock or dual-pane glass. Tempered glass and other glass options are available. Contact your Andersen supplier.

A removable translucent film helps shield the glass from damage during delivery and construction and simplifies finishing at the jobsite.

EXTERIOR



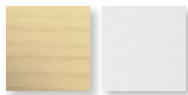
White Sandtone

HARDWARE FINISHES



Stone White

INTERIOR



Pine White

Naturally occurring variations in grain, color and texture of wood make each window one-of-a-kind. All wood interiors are unfinished unless prefinished White is specified.

GLIDING WINDOW HARDWARE OPTIONS

LOCK & KEEPER

Stone | **White**

The standard cam-operated lock & keeper is made for easy operation and long life. Stone finish is standard with pine interior units and white finish comes with prefinished White interiors.

CLASSIC SERIES™ HANDLE

Stone | **White**

Sash handles are standard with each unit. Stone finish is standard with pine interior units and white finish comes with prefinished White interiors.

Bold name denotes finish shown.

ACCESSORIES Sold Separately

Frame

Extension Jamb

Standard jamb depth is 2 3/4" (70). Extension jamba are available in unfinished pine or prefinished White. Some sizes may be veneered.

Factory-applied and non-applied extension jamba are available in 1/16" (1.5) increments between 4 9/16" (114) and 7 1/8" (181). Extension jamba can be factory-applied to four sides (picture frame casing).

Drywall Return

The 200 Series gliding window is available with a narrow 2 3/4" (70) jamb depth with a flat interior surface for easy drywall return. Available in pine or prefinished White.

Two-Tone Option

200 Series gliding windows are available with a two-tone color configuration, featuring a prefinished White interior and a Sandtone exterior. Some exterior components are visible from the interior. Corresponding picture and transom units, as well as grilles, are available to match.

Window Opening Control Device Kit



A Window Opening Control Device Kit is available, which limits the sash travel to less than 4" (102) when the window is first opened. Available in Stone and White.

Security Sensors

Open/Closed Sensors

Wireless open/closed sensors are available in four colors. See page 30 for details.

Insect Screens

Full Insect Screen

Full insect screens are available in colors to match product exteriors.

TruScene® Insect Screen

Exclusive Andersen® TruScene® insect screens provide over 50% more clarity than our conventional insect screens for a beautiful unobstructed view. They allow more fresh air and sunlight in, while doing a better job of keeping out small insects.

Conventional Insect Screen

Conventional insect screens have a long-lasting* fiberglass screen mesh with a charcoal finish.

Exterior Trim

This product is available with Andersen® Exterior Trim. See pages 215-220 for details.

CAUTION:

- Painting and staining may cause damage to rigid vinyl.
- Do not paint 200 Series windows with White exteriors.
- Andersen does not warrant the adhesion or performance of homeowner-applied paint over vinyl or other factory-coated surfaces.
- 200 Series windows in Sandtone color may be painted any color lighter than Sandtone color using quality oil-base or latex paint.
- For vinyl painting instructions and preparation, contact your Andersen supplier.
- Do not paint weatherstripping.
- Creosote-based stains should not come in contact with Andersen products.
- Abrasive cleaners or solutions containing corrosive solvents should not be used on Andersen products.

* Visit andersenwindows.com/warranty for details.

Dimensions in parentheses are in millimeters.

"Flexacron" is a registered trademark of PPG Industries, Inc.

Printing limitations prevent exact duplication of colors and finishes. See your Andersen supplier for actual color and finish samples.

For more information about **glass, grilles and TruScene® insect screen** see pages 10-16.

For more information about **product performance, installation accessories and warranty** see pages 269-291 or visit

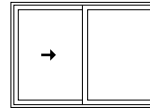


Table of Gliding Window Sizes

Scale 1/8" (3) = 1'-0" (305) – 1:96

Window Dimension	2'-11 1/2"	3'-11 1/2"	4'-11 1/2"	5'-11 1/2"
	(902)	(1207)	(1511)	(1816)
Minimum Rough Opening	3'-0"	4'-0"	5'-0"	6'-0"
	(914)	(1219)	(1524)	(1829)
Unobstructed Glass (single sash only)	13 11/16"	19 11/16"	25 11/16"	31 11/16"
	(348)	(500)	(652)	(805)

1'-5 1/2" (445)	1'-6" (457)	1'-11 1/2" (292)		
			→	
				244GW4016
1'-11 1/2" (597)	2'-0" (610)	17 1/2" (445)	→	→
				244GW3020 244GW4020
2'-11 1/2" (902)	3'-0" (914)	29 1/2" (749)	→	→
				244GW3030 244GW4030 244GW5030 ^Ø 244GW6030 ^Ø
3'-5 1/2" (1054)	3'-6" (1067)	35 1/2" (902)	→	→
				244GW3036 244GW4036 244GW5036 ^Ø 244GW6036 ^Ø
3'-11 1/2" (1207)	4'-0" (1219)	41 1/2" (1054)	→	→
				244GW3040 244GW4040 ^Ø 244GW5040 ^Ø 244GW6040 ^Ø
4'-5 1/2" (1359)	4'-6" (1372)	47 1/2" (1207)	→	→
				244GW4046 ^Ø 244GW5046 ^Ø 244GW6046 ^Ø
4'-11 1/2" (1511)	5'-0" (1524)	53 1/2" (1359)	→	→
				244GW4050 ^Ø 244GW5050 ^Ø 244GW6050 ^Ø



Active Stationary

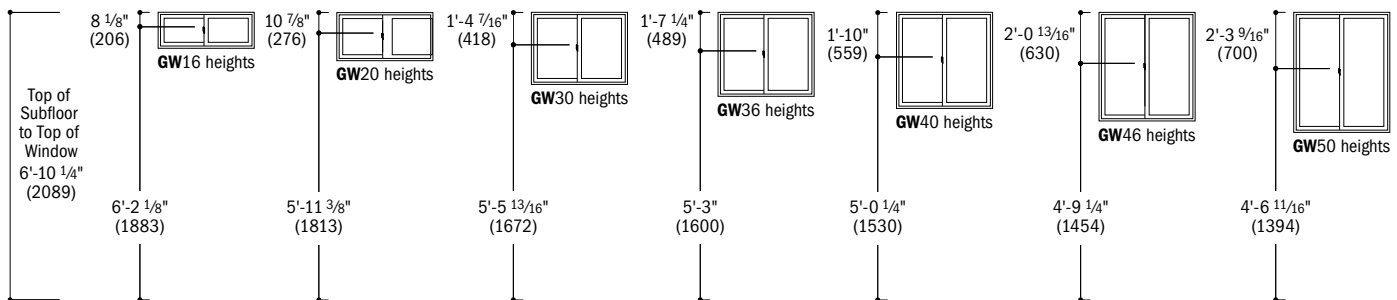
Viewed from the exterior.

Grille patterns shown on page 230.

- "Window Dimension" always refers to outside frame to frame dimension.
- "Minimum Rough Opening" dimensions may need to be increased to allow for use of building wraps, flashing, sill panning, brackets, fasteners or other items. See pages 289-289 for more details.
- Dimensions in parentheses are in millimeters.
- ^Ø Meet or exceed clear opening area of 5.7 sq. ft. or 0.53 m², clear opening width of 20" (508) and clear opening height of 24" (610). See table on page 231.

Lock Handle Location

Dimensions shown are from top of lock handle in open position.



- Dimensions in parentheses are in millimeters.

GLIDING WINDOWS

Table of Picture Window Sizes

Scale 1/8" (3) = 1'-0" (305) – 1:96

Window Dimension	2'-11 1/2" (902)	3'-11 1/2" (1207)	4'-5 1/2" (1359)	4'-8 1/2" (1435)	4'-11 1/2" (1511)	5'-5 1/2" (1664)	5'-11 1/2" (1816)
Minimum Rough Opening	3'-0" (914)	4'-0" (1219)	4'-6" (1372)	4'-9" (1448)	5'-0" (1524)	5'-6" (1676)	6'-0" (1829)
Unobstructed Glass	29 1/2" (749)	41 1/2" (1054)	47 1/2" (1207)	50 1/2" (1283)	53 1/2" (1359)	59 1/2" (1511)	65 1/2" (1664)

2'-11 1/2" (902)	3'-0" (914)	3'-11 1/2" (1207)	4'-0" (1219)	4'-5 1/2" (1359)	4'-6" (1372)	4'-8 1/2" (1435)	4'-9" (1448)	4'-11 1/2" (1511)	5'-0" (1524)	5'-5 1/2" (1664)	5'-6" (1676)	5'-11 1/2" (1816)	6'-0" (1829)
244FX3030	244FX4030	244FX4630	244FX4930	244FX5030	244FX5630	244FX6030							
244FX3040	244FX4040	244FX4640	244FX4940	244FX5040	244FX5640	244FX6040							
244FX3046	244FX4046	244FX4646	244FX4946	244FX5046	244FX5646	244FX6046							
244FX3050	244FX4050	244FX4650	244FX4950	244FX5050	244FX5650	244FX6050							

Basic frame dimensions for gliding windows and picture windows are different. When joining, specify common extension jamb dimensions [i.e. 4 9/16" (116) or 6 9/16" (167)].

Grille patterns shown below.

- "Window Dimension" always refers to outside frame to frame dimension.
- "Minimum Rough Opening" dimensions may need to be increased to allow for use of building wraps, flashing, sill panning, brackets, fasteners or other items. See pages 288-289 for more details.
- Dimensions in parentheses are in millimeters.

Grille Patterns

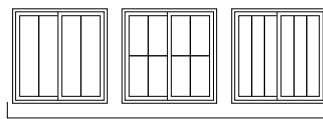
	Prairie A	Colonial	Modified Colonial	Modified Colonial SCR (Simulated Check Rail)	Tall Fractional	Tall Fractional SCR (Simulated Check Rail)	Short Fractional	Short Fractional SCR (Simulated Check Rail)
Gliding								
Picture								

Number of lights and overall pattern varies with window size. Patterns are not available in all configurations.

Specified equal light and custom patterns are also available.

For more information on divided light, see page 11 or visit

andersenwindows.com/grilles.



Specified Equal Light Examples

Gliding Window Opening and Area Specifications

Window Number	Clear Opening Area Sq. Ft./ (m ²)	Clear Opening Full Open Position		Glass Area Sq. Ft./ (m ²)	Top of Subfloor to Top of Inside Sill Stop Inches/(mm)	Overall Window Area Sq. Ft./ (m ²)
		Width Inches/(mm)	Height Inches/(mm)			
244GW3020	2.10 (0.20)	15" (381)	20 1/8" (511)	3.32 (0.31)	60 7/16" (1535)	5.79 (0.54)
244GW3030	3.34 (0.31)	15" (381)	32 1/8" (816)	5.60 (0.52)	48 7/16" (1230)	8.75 (0.81)
244GW3036	3.97 (0.37)	15" (381)	38 1/8" (968)	6.74 (0.63)	42 7/16" (1078)	10.23 (0.95)
244GW3040	4.59 (0.43)	15" (381)	44 1/8" (1121)	7.88 (0.73)	36 7/16" (925)	11.71 (1.09)
244GW4016	2.06 (0.19)	21" (533)	14 1/8" (359)	3.14 (0.29)	66 7/16" (1687)	5.77 (0.54)
244GW4020	2.93 (0.27)	21" (533)	20 1/8" (511)	4.78 (0.44)	60 7/16" (1535)	7.75 (0.72)
244GW4030	4.68 (0.44)	21" (533)	32 1/8" (816)	8.06 (0.75)	48 7/16" (1230)	11.71 (1.09)
244GW4036	5.56 (0.52)	21" (533)	38 1/8" (968)	9.70 (0.90)	42 7/16" (1078)	13.69 (1.27)
244GW4040 ◊	6.43 (0.60)	21" (533)	44 1/8" (1120)	11.34 (1.05)	36 7/16" (925)	15.67 (1.46)
244GW4046 ◊	7.31 (0.68)	21" (533)	50 1/8" (1273)	12.98 (1.21)	30 7/16" (773)	17.65 (1.64)
244GW4050 ◊	8.18 (0.76)	21" (533)	56 1/8" (1425)	14.62 (1.36)	24 7/16" (620)	19.63 (1.82)
244GW5030 ◊	6.02 (0.56)	27" (686)	32 1/8" (816)	10.52 (0.98)	48 7/16" (1230)	14.69 (1.37)
244GW5036 ◊	7.14 (0.66)	27" (686)	38 1/8" (968)	12.66 (1.18)	42 7/16" (1078)	17.15 (1.59)
244GW5040 ◊	8.27 (0.77)	27" (686)	44 1/8" (1121)	14.80 (1.38)	36 7/16" (925)	19.63 (1.82)
244GW5046 ◊	9.39 (0.87)	27" (686)	50 1/8" (1273)	16.94 (1.57)	30 7/16" (773)	22.11 (2.05)
244GW5050 ◊	10.52 (0.98)	27" (686)	56 1/8" (1425)	19.08 (1.77)	24 7/16" (620)	24.59 (2.28)
244GW6030 ◊	7.36 (0.68)	33" (838)	32 1/8" (816)	12.98 (1.21)	48 7/16" (1230)	17.63 (1.64)
244GW6036 ◊	8.73 (0.81)	33" (838)	38 1/8" (968)	15.62 (1.45)	42 7/16" (1078)	20.61 (1.92)
244GW6040 ◊	10.11 (0.94)	33" (838)	44 1/8" (1121)	18.26 (1.70)	36 7/16" (925)	23.59 (2.19)
244GW6046 ◊	11.48 (1.07)	33" (838)	50 1/8" (1273)	20.90 (1.94)	30 7/16" (773)	26.56 (2.47)
244GW6050 ◊	12.86 (1.20)	33" (838)	56 1/8" (1425)	23.54 (2.19)	24 7/16" (620)	29.54 (2.74)

- "Top of Subfloor to Top of Inside Sill Stop" is calculated based upon a structural header height of 6'-10 1/2" (2096).
- Dimensions in parentheses are in millimeters or square meters.
- ◊ Meet or exceed clear opening area of 5.7 sq. ft. or 0.53 m², clear opening width of 20" (508) and clear opening height of 24" (610).

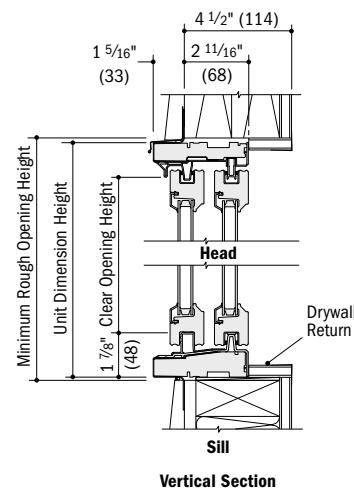
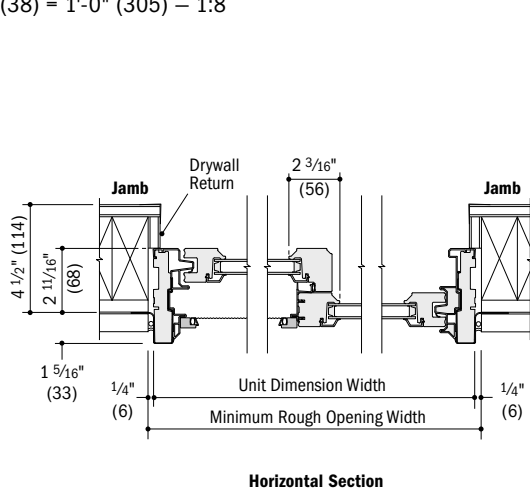
Picture Window Area Specifications

Window Number	Glass Area Sq. Ft./ (m ²)	Overall Window Area Sq. Ft./ (m ²)
244FX3030	6.04 (0.56)	8.75 (0.81)
244FX3040	8.50 (0.79)	11.71 (1.09)
244FX3046	9.73 (0.90)	13.19 (1.23)
244FX3050	10.96 (1.02)	14.67 (1.36)
244FX4030	8.50 (0.79)	11.71 (1.09)
244FX4040	11.96 (1.11)	15.67 (1.46)
244FX4046	13.69 (1.27)	17.65 (1.64)
244FX4050	15.42 (1.43)	19.63 (1.82)
244FX4630	9.73 (0.90)	13.19 (1.23)
244FX4640	13.69 (1.27)	17.65 (1.64)
244FX4646	15.67 (1.46)	19.88 (1.85)
244FX4650	17.65 (1.64)	22.11 (2.05)
244FX4930	10.35 (0.96)	13.93 (1.29)
244FX4940	14.55 (1.35)	18.64 (1.73)
244FX4946	16.66 (1.55)	20.99 (1.95)
244FX4950	18.76 (1.74)	23.35 (2.17)
244FX5030	10.96 (1.02)	14.67 (1.36)
244FX5040	15.42 (1.43)	19.63 (1.82)
244FX5046	17.65 (1.64)	22.11 (2.05)
244FX5050	19.88 (1.85)	24.59 (2.28)
244FX5630	12.19 (1.13)	16.15 (1.50)
244FX5640	17.15 (1.59)	21.61 (2.01)
244FX5646	19.63 (1.82)	24.34 (2.26)
244FX5650	22.11 (2.05)	27.06 (2.51)
244FX6030	13.42 (1.25)	17.63 (1.64)
244FX6040	18.88 (1.75)	23.59 (2.19)
244FX6046	21.61 (2.01)	26.56 (2.47)
244FX6050	24.34 (2.26)	29.54 (2.75)

- Dimensions in parentheses are in square meters.

Gliding Window Details

Scale 1 1/2" (38) = 1'-0" (305) – 1:8

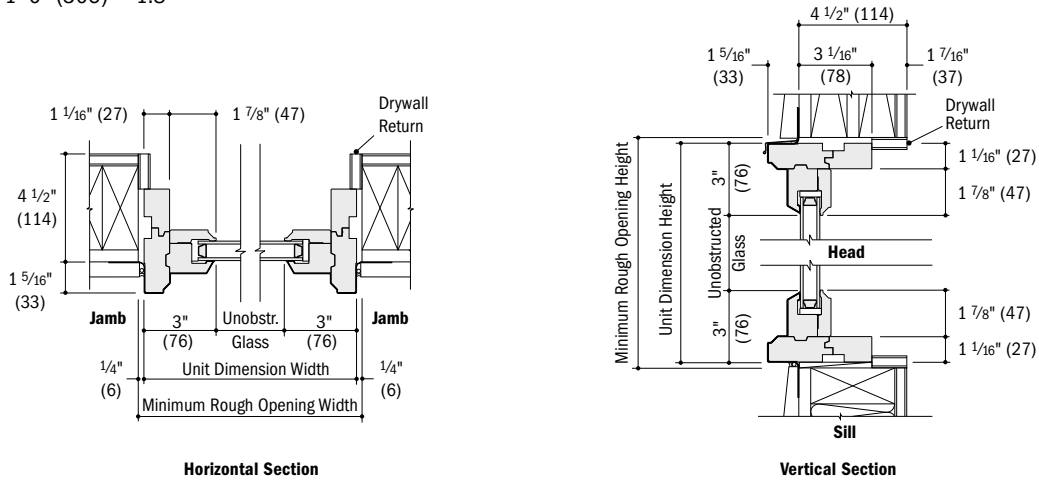


- Light-colored areas are parts included with window. Dark-colored areas are additional Andersen® parts required to complete window assembly as shown.
- Rough openings may need to be increased to allow for use of building wraps, flashing, sill panning, brackets, fasteners or other items. See installation information on pages 288-289.
- Details are for illustration only and are not intended to represent product installation methods or materials. Refer to product installation guides at andersenwindows.com.
- Dimensions in parentheses are in millimeters.

GLIDING WINDOWS

Picture Window Details

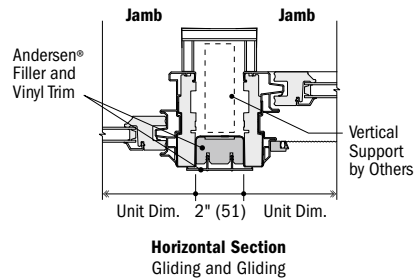
Scale 1 1/2" (38) = 1'-0" (305) – 1:8



Separate Rough Openings Detail

Scale 1 1/2" (38) = 1'-0" (305) – 1:8

To meet structural requirements or to achieve a wider joined appearance, windows may be installed into separate rough openings having vertical support (by others) in combination with Andersen® exterior filler and exterior vinyl trim.



- Light-colored areas are parts included with window. Dark-colored areas are additional Andersen® parts required to complete window assembly as shown.
- **Rough openings may need to be increased to allow for use of building wraps, flashing, sill panning, brackets, fasteners or other items. See installation information on pages 288-289.**
- Details are for illustration only and are not intended to represent product installation methods or materials. Refer to product installation guides at andersenwindows.com.
- Consult with an architect or structural engineer regarding minimum requirements for structural support members between adjacent rough openings.
- Dimensions in parentheses are in millimeters.

NARROLINE[®] GLIDING PATIO DOORS

CUSTOM SIZING
in 1/8" (3) increments



SECTION REFERENCE

Table of Sizes.....	236
Specifications	237
Custom Sized Doors.....	237
Grille Patterns	238
Door Details	238-239
Joining Details.....	239
Combination Designs	255
Product Performance.....	269
Warranty.....	290-291

Dimensions in parentheses are in millimeters.

NARROLINE® GLIDING PATIO DOORS

FEATURES

Frame

A The sill (one- and two-panel configurations) has an anodized aluminum track with a stainless steel cap that resists stain, rust and denting.* On four-panel doors, sills have an attractive, water-repellent baked-on finish in a neutral gray color. A thermal barrier reduces conductive heat loss and limits condensation on the inside. The exterior portion of the sill is also anodized aluminum.

B All basic exterior frame members are covered with a rigid vinyl that maintains an attractive appearance while minimizing maintenance.

C Wood frame members are treated with a water-repellent preservative for long-lasting** protection and performance. Interior frame trim pieces are unfinished pine.

Factory-assembled doors are available (two-panel doors) and arrive at the jobsite ready to install. Unassembled doors are also available and require jobsite assembly.

D A flexible vinyl weatherstrip on the head and side jambs provides a positive seal between the frame and panels.

Panel

E The exterior of the wood door panel is protected by a low-maintenance urethane base finish in White, Canvas, Sandtone, Terratone, Dark Bronze or Black color.

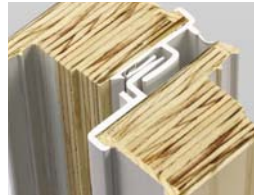
F Laminated veneer lumber panels provide excellent structural stability and energy efficiency.

Panel interior surfaces are unfinished pine, ready for natural stain or paint finish.



Dual ball-bearing rollers on door panels provide smooth gliding operation with self-contained leveling adjusters.

Flexible Seal



A full-length combination weatherstrip/interlock system provides a flexible seal at the meeting stile.

Sill

For one- and two-panel doors, sills can be ordered with an attractive water-repellent baked-on finish in a neutral gray color.

Glass

G Panels are silicone bed glazed and finished with an interior wood stop.

H Choose Low-E tempered, Low-E HeatLock® tempered, Low-E SmartSun™ tempered, Low-E SmartSun HeatLock tempered or dual-pane tempered glass.

Additional glass options are available. Contact your Andersen supplier.

A removable translucent film helps shield the glass from damage during delivery and construction and simplifies finishing at the jobsite.

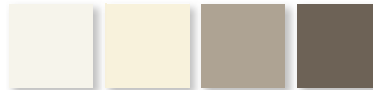
Locking System

Reachout Locking Hardware



The unique Andersen® reachout locking system pulls the door panel snugly into the jamb for weathertightness and enhanced security.

EXTERIOR



White Canvas Sandtone Terratone



Dark Bronze Black

Naturally occurring variations in grain, color and texture of wood make each door one-of-a-kind.

INTERIOR



Unfinished Pine

HARDWARE FINISHES



Antique Brass Black Bright Brass Brushed Chrome Distressed Bronze Distressed Nickel



Gold Dust Oil Rubbed Bronze Polished Chrome Satin Nickel Stone White

Distressed bronze and oil rubbed bronze are "living" finishes that will change with time and use.

GLIDING PATIO DOOR HARDWARE OPTIONS** Bold name denotes finish shown.



YUMA®

Distressed Bronze
Distressed Nickel



ENCINO®

Distressed Bronze
Distressed Nickel



ANVERS®

Bright Brass
Oil Rubbed Bronze
Satin Nickel



NEWBURY®

Antique Brass
Bright Brass
Brushed Chrome
Oil Rubbed Bronze
Polished Chrome
Satin Nickel



COVINGTON™

Antique Brass
Bright Brass
Oil Rubbed Bronze



WHITMORE®

Antique Brass
Bright Brass
Oil Rubbed Bronze
Satin Nickel



ALBANY

Black
Gold Dust
Stone
White



TRIBECA®

Stone
White

* Visit andersenwindows.com/warranty for details.

** Hardware sold separately.

Dimensions in parentheses are in millimeters.

Printing limitations prevent exact duplication of colors and finishes. See your Andersen supplier for actual color and finish samples.

Tribeca and Albany hardware are zinc diecast with powder-coated durable finish. Other hardware is solid forged brass. Mix-and-match interior and exterior style and finish options are available. Bright brass and satin nickel finishes feature a 10-year limited warranty.

ACCESSORIES Sold Separately

Frame

Extension Jamb

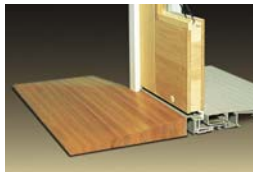
Standard jamb depth is 4 9/16" (116). Pine, oak or maple veneer or prefinished White interior extension jambs are available in 1/16" (1.5) increments between 5 1/16" (129) and 7 1/8" (181).

Threshold



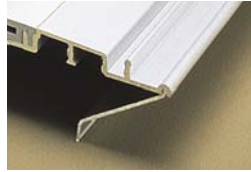
An oak or maple threshold is available for finishing the interior of the sill.

Ramped Sill Insert



Ramped sills in oak or maple provide smooth transition from interior to exterior and can be used with a retractable insect screen, but not a gliding insect screen. Shown here with an Andersen® Frenchwood® patio door. (Specifier must check with local and federal officials to determine if product meets accessibility codes.)

Sill Support



An aluminum sill support is designed to lock into a channel under the sill and tie back into the wall. This will offer support to the outermost sill section when needed. Available in neutral gray finish.

Hardware

Exterior Keyed Lock



A six-pin key cylinder lock is available in styles and finishes that coordinate with hardware. This lock allows the gliding door to be locked and unlocked from the exterior.

Auxiliary Foot Lock



Provides an extra measure of security when the door is in a locked position. Lock can be set so the door is fully closed or partially open to provide a secure venting position. Available in all hardware finishes.

Security Sensors

VeriLock® Sensors

VeriLock sensors are available in five colors. See page 30 for details.

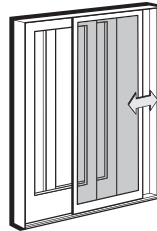
Open/Closed Sensors

Wireless open/closed sensors are available in four colors. See page 30 for details.

Insect Screens

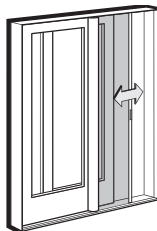
All insect screens have a long-lasting* fiberglass screen mesh with a charcoal finish and are color matched to the exterior of the door unless otherwise specified.

Gliding Insect Screen



Patented square corner joint construction adds considerable strength to the frame members. The insect screen is available for both two-panel doors and four-panel doors. Gliding insect screens have Delrin® injection-molded bottom rollers with self-contained leveling adjusters, providing smooth operation. Interior and exterior pulls and latch are provided.

Retractable Insect Screen



The retractable insect screen is installed on the exterior of the door and opens side-to-side across the width of the opening. When the insect screen is not in use, it neatly retracts into a small canister mounted on the exterior of the door. The retractable insect screen canister is available for two-panel patio doors in White, Canvas, Sandtone, Terratone, Dark Bronze and Black colors. Please note, retractable insect screen track reduces clear opening height by 1" (25).

Grilles

Grilles are available in a variety of configurations and widths. For patio door grille patterns see page 238.

Sidelights

Stationary units can also be selected for use as sidelights. See size table on page 236 for size options.

Exterior Trim

This product is available with Andersen® Exterior Trim. See pages 215-220 for details.

CAUTION:

- Painting and staining may cause damage to rigid vinyl.
- Do not paint 200 Series doors with White, Canvas, Sandtone, Dark Bronze or Black exterior colors.
- Andersen does not warrant the adhesion or performance of homeowner-applied paint over vinyl or other factory-coated surfaces.
- 200 Series windows in Terratone color may be painted any color lighter than Terratone color using quality oil-base or latex paint.
- For vinyl painting instructions and preparation, contact your Andersen supplier.
- Do not paint weatherstripping.
- Creosote-based stains should not come in contact with Andersen products.
- Abrasive cleaners or solutions containing corrosive solvents should not be used on Andersen products.

For more information about **glass and grilles** see pages 10-11.

For more information about **combination designs, product performance, installation accessories and warranty** see pages 255-291 or visit

 andersenwindows.com

*Visit andersenwindows.com/warranty for details.

NOTE: Andersen® patio doors are not intended for use as entrance doors. Dimensions in parentheses are in millimeters.

*Delrin® is a registered trademark of E.I. du Pont de Nemours and Company.

NARROLINE® GLIDING PATIO DOORS

Three Patio Door Heights

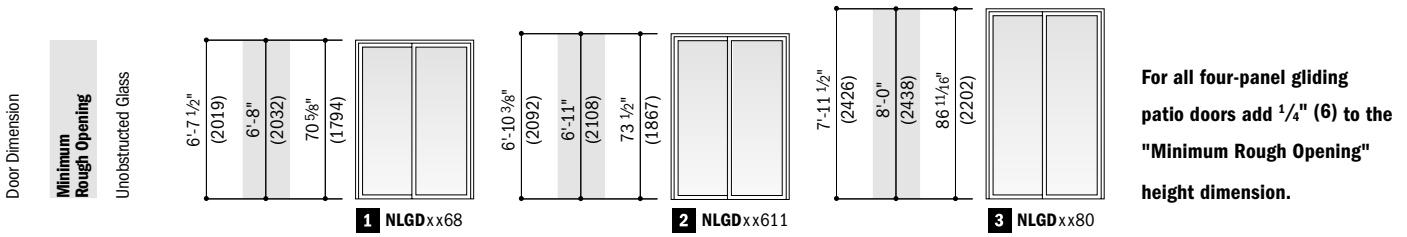


Table of Narroline® Gliding Patio Door Sizes

Scale 1/8" = 1'-0" (1:96)

Door Dimension	2'-8"	4'-11 1/4"	4'-11 1/4"	9'-9"
Minimum Rough Opening	2'-8 3/4"	5'-0"	5'-0"	9'-9 3/4"
Unobstructed Glass (single panel only)	24 1/2"	24 1/2"	24 1/2"	24 1/2"
3 heights	1 NLGD2968S 2 NLGD29611S 3 NLGD2980S	NLGD5068L NLGD50611L NLGD5080L	NLGD5068R NLGD50611R NLGD5080R	NLGD10068-4* NLGD100611-4* NLGD10080-4*
Door Dimension	3'-2"	5'-11 1/4"	5'-11 1/4"	11'-9"
Minimum Rough Opening	3'-2 3/4"	6'-0"	6'-0"	11'-9 3/4"
Unobstructed Glass (single panel only)	30 1/2"	30 1/2"	30 1/2"	30 1/2"
3 heights	1 NLGD3368S 2 NLGD33611S 3 NLGD3380S	NLGD6068L NLGD60611L NLGD6080L	NLGD6068R NLGD60611R NLGD6080R	NLGD12068-4* NLGD120611-4* NLGD12080-4*
Door Dimension	4'-2"	7'-11 1/4"	7'-11 1/4"	15'-9"
Minimum Rough Opening	4'-2 3/4"	8'-0"	8'-0"	15'-9 3/4"
Unobstructed Glass (single panel only)	42 1/2"	42 1/2"	42 1/2"	42 1/2"
3 heights	1 NLGD4368S 2 NLGD43611S 3 NLGD4380S	NLGD8068L NLGD80611L NLGD8080L	NLGD8068R NLGD80611R NLGD8080R	NLGD16068-4* NLGD160611-4* NLGD16080-4*



Custom-size doors are available in 1/8" (3) increments. See page 237 for custom sizes and specifications.

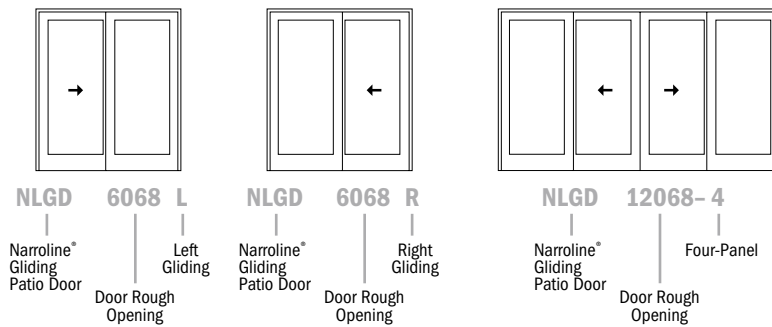
Viewed from the exterior. Arrow indicates direction of panel operation. Stationary (S) doors can be used as an individual unit or as a sidelight.

Grille patterns shown on page 238.

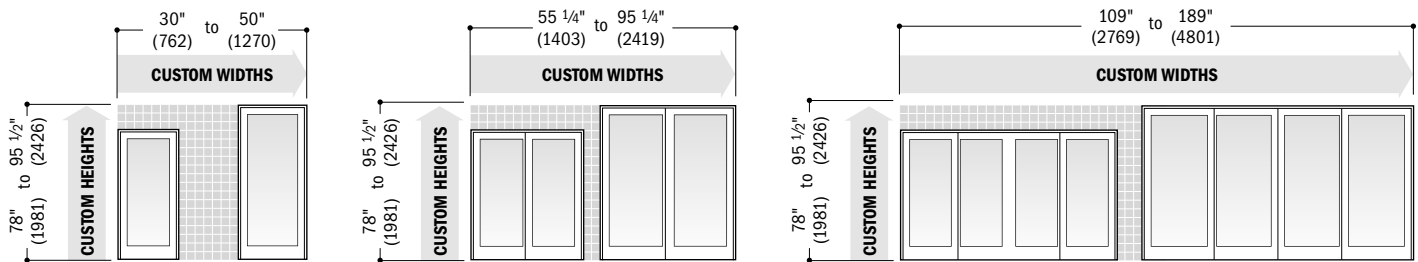
* "Door Dimension" always refers to outside frame to frame dimension.
 * "Minimum Rough Opening" dimensions may need to be increased to allow for use of building wraps, flashing, sill panning, brackets, fasteners or other items. See pages 288-289 for more details.
 • Dimensions in parentheses are in millimeters.
 *Add 1/4" (6) to the "Minimum Rough Opening" height dimension for four-panel doors.

Order Designation Description

Viewed from the exterior.



Custom Sizes and Specification Formulas



Clear Opening	Two-Panel	Minimum R.O.	Single-Panel & Two-Panel	Unobstr. Glass	Single-Panel
	Width = (width ÷ 2) - 7.5" (191) Height = height - 4.125" (105)		Width = width + 3/4" (19) Height = height + 1 1/2" (13)		Width = width - 9.5" (241) Height = height - 8.859" (225)
	Four-Panel Width = (width ÷ 2) - 13.75" (349) Height = height - 4.125" (105)		Four-Panel Width = width + 3/4" (19) Height = height + 3/4" (19)		Two-Panel Width = width - 10.25" (260) Height = height - 8.859" (225)
					Four-Panel Width = width - 19.0" (483) Height = height - 8.859" (225)



Available in 1/8" (3) increments between minimum and maximum widths and heights shown. Some restrictions apply. Measurement guide can be found at

andersenwindows.com/measure.

- Dimensions in parentheses are in millimeters.
- **Clear Opening** formulas provide dimensions for determining area available for egress. Vent opening, or area available for passage of air, is equal to clear opening.
- **Minimum R.O.** (minimum rough opening) formulas provide minimum rough opening width and height dimensions. **Unobstr. Glass** (unobstructed glass) formulas provide dimensions for determining area available for passage of light.

Two-Panel & Four-Panel Narroline® Gliding Patio Door Opening and Area Specifications

Door Number	Clear Opening Area Sq. Ft./ (m ²)	Clear Opening in Full Open Position		Glass Area Sq. Ft./ (m ²)	Vent Area Sq. Ft./ (m ²)	Overall Door Area Sq. Ft./ (m ²)
		Width Inches/ (mm)	Height Inches/ (mm)			
NLGD5068	11.58 (1.08)	22 1/8" (562)	75 3/8" (1915)	24.03 (2.23)	11.58 (1.08)	32.71 (3.04)
NLGD6068	14.72 (1.37)	28 1/8" (714)	75 3/8" (1915)	29.92 (2.78)	14.72 (1.37)	39.34 (3.66)
NLGD8068	21.00 (1.95)	40 1/8" (1020)	75 3/8" (1915)	41.69 (3.87)	21.00 (1.95)	52.59 (4.89)
NLGD10068	23.42 (2.18)	44 3/4" (1137)	75 3/8" (1915)	48.08 (4.47)	23.42 (2.18)	64.59 (6.00)
NLGD12068	29.70 (2.76)	56 3/4" (1441)	75 3/8" (1915)	59.84 (5.56)	29.71 (2.76)	77.84 (7.23)
NLGD16068	42.27 (3.93)	80 3/4" (2051)	75 3/8" (1915)	83.36 (7.74)	42.27 (3.93)	104.34 (9.69)
NLGD50611	12.04 (1.12)	22 1/8" (562)	78 3/16" (1986)	25.01 (2.32)	12.04 (1.12)	33.89 (3.15)
NLGD60611	15.31 (1.42)	28 1/8" (714)	78 3/16" (1986)	31.14 (2.89)	15.31 (1.42)	40.76 (3.79)
NLGD80611	21.84 (2.03)	40 1/8" (1020)	78 3/16" (1986)	43.39 (4.03)	21.84 (2.03)	54.49 (5.06)
NLGD100611	24.30 (2.26)	44 3/4" (1137)	78 3/16" (1986)	50.04 (4.65)	24.30 (2.26)	66.93 (6.22)
NLGD120611	30.81 (2.86)	56 3/4" (1441)	78 3/16" (1986)	62.28 (5.79)	30.81 (2.86)	80.66 (7.49)
NLGD160611	43.85 (4.07)	80 3/4" (2051)	78 3/16" (1986)	86.76 (8.06)	43.84 (4.07)	108.12 (10.04)
NLGD5080	14.04 (1.30)	22 1/8" (562)	91 3/8" (2321)	29.48 (2.74)	14.04 (1.30)	39.29 (3.65)
NLGD6080	17.85 (1.66)	28 1/8" (714)	91 3/8" (2321)	36.70 (3.41)	17.85 (1.66)	47.25 (4.39)
NLGD8080	25.46 (2.37)	40 1/8" (1020)	91 3/8" (2321)	51.14 (4.75)	25.46 (2.37)	63.17 (5.87)
NLGD10080	28.40 (2.64)	44 3/4" (1137)	91 3/8" (2321)	58.96 (5.48)	28.40 (2.64)	77.59 (7.21)
NLGD12080	36.01 (3.35)	56 3/4" (1441)	91 3/8" (2321)	73.40 (6.82)	36.01 (3.35)	93.51 (8.69)
NLGD16080	51.24 (4.76)	80 3/4" (2051)	91 3/8" (2321)	102.28 (9.50)	51.24 (4.76)	125.34 (11.65)

- Dimensions in parentheses are in millimeters or square meters.

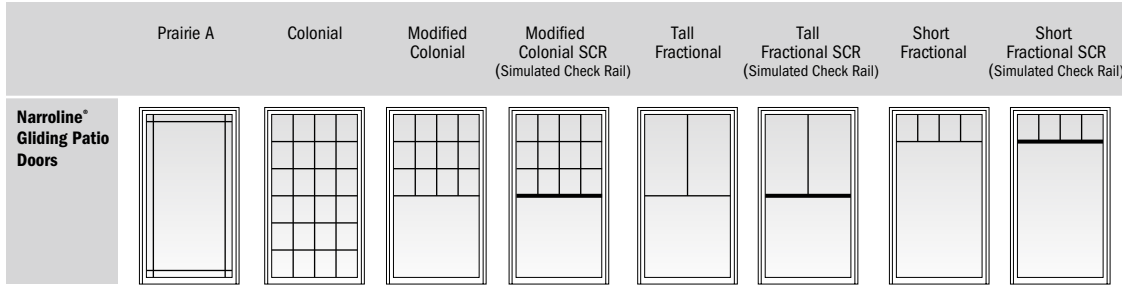
Stationary Narroline® Gliding Patio Door Area Specifications

Door Number	Glass Area Sq. Ft./ (m ²)	Overall Door Area Sq. Ft./ (m ²)
NLGD2968	12.02 (1.12)	17.67 (1.64)
NLGD3368	14.96 (1.39)	20.98 (1.95)
NLGD4368	20.84 (1.94)	27.60 (2.56)
NLGD29611	12.51 (1.16)	18.31 (1.70)
NLGD33611	15.57 (1.45)	21.74 (2.02)
NLGD43611	21.69 (2.02)	28.60 (2.66)
NLGD2980	14.74 (1.37)	21.22 (1.97)
NLGD3380	18.35 (1.71)	25.20 (2.34)
NLGD4380	25.57 (2.34)	33.16 (3.08)

- Dimensions in parentheses are in square meters.

NARROLINE® GLIDING PATIO DOORS

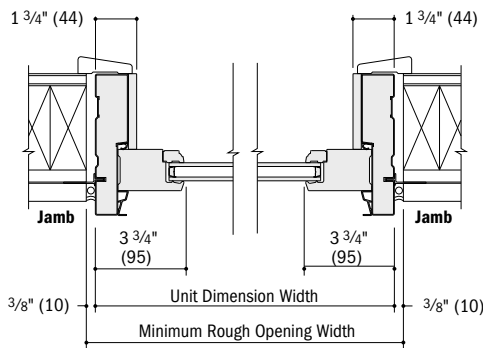
Grille Patterns



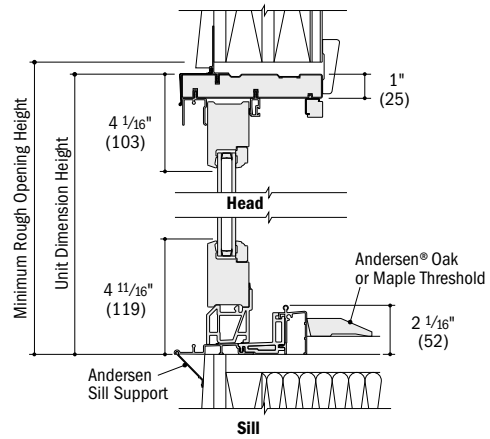
Number of lights and overall pattern varies with panel size. Patterns are not available in all configurations. For more information on divided light, see page 11 or visit andersenwindows.com/grilles.

Narroline® Gliding Patio Door Details

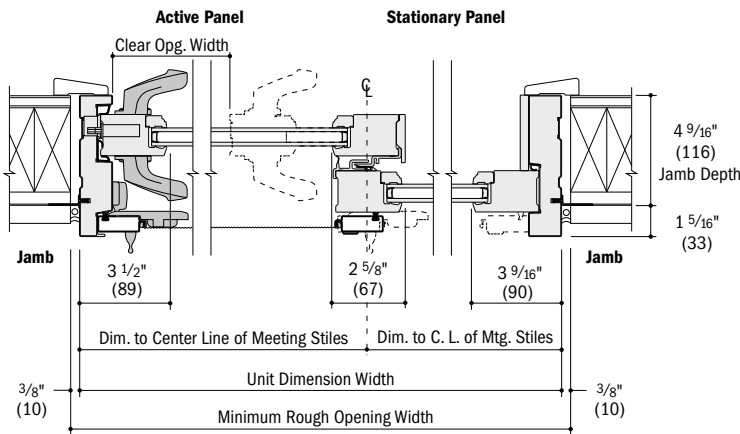
Scale 1 1/2" (38) = 1'-0" (305) – 1:8



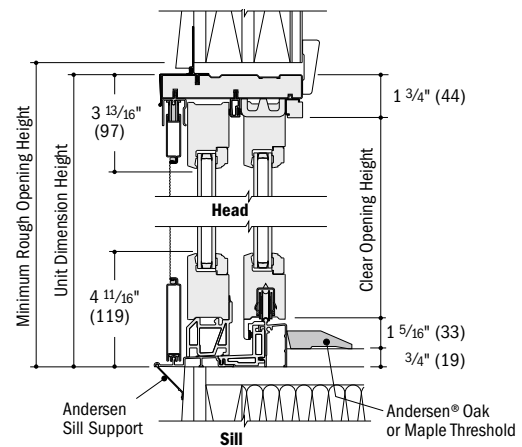
Horizontal Section
Stationary



Vertical Section
Stationary



Horizontal Section
Two-Panel

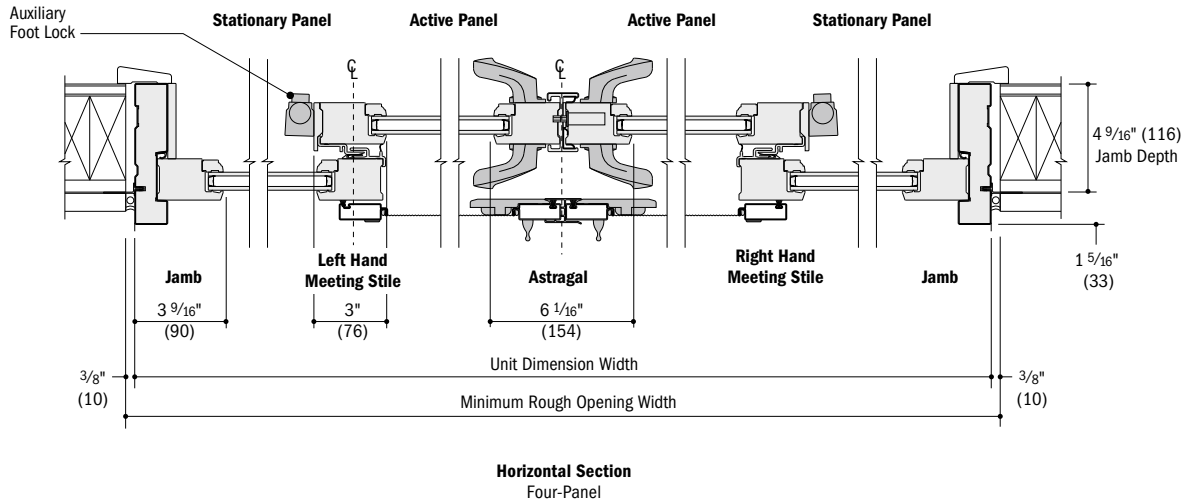


Vertical Section

- 4 9/16" (116) jamb depth measurement is from backside of installation flange.
- Light-colored areas are parts included with door. Dark-colored areas are additional Andersen® parts required to complete door assembly as shown.
- **Rough openings may need to be increased to allow for use of building wraps, flashing, sill panning, brackets, fasteners or other items. See installation information on pages 288-289.**
- Details are for illustration only and are not intended to represent product installation methods or materials. Refer to product installation guides at andersenwindows.com.
- Dimensions in parentheses are in millimeters.

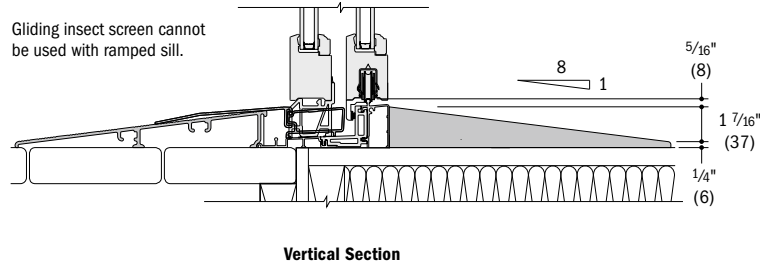
Narroline® Gliding Patio Door Details

Scale 1 1/2" (38) = 1'-0" (305) – 1:8



Ramped Sill Detail

Scale 1 1/2" (38) = 1'-0" (305) – 1:8



Vertical Joining Detail

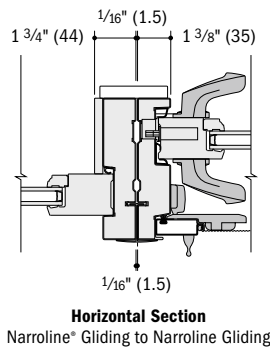
Scale 1 1/2" (38) = 1'-0" (305) – 1:8

Overall Door Dimension Width

Sum of individual door widths plus 1/16" (1.5) for each join.

Overall Rough Opening Width

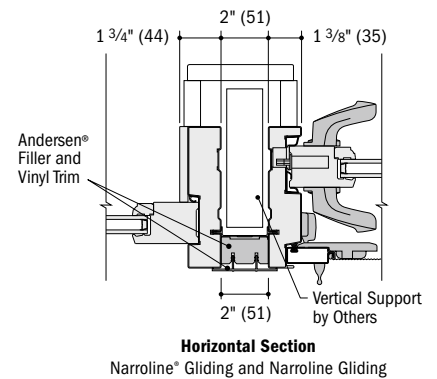
Overall door width plus 3/4" (19).



Separate Rough Openings Detail

Scale 1 1/2" (38) = 1'-0" (305) – 1:8

To meet structural requirements or to achieve a wider joined appearance, doors may be installed into separate rough openings having vertical support (by others) in combination with Andersen® exterior filler and exterior vinyl trim.



Vertical Joining Detail – LVL

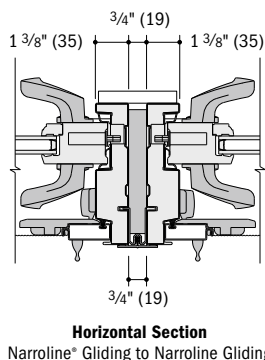
Scale 1 1/2" (38) = 1'-0" (305) – 1:8

Overall Door Dimension Width

Sum of individual door widths plus 3/4" (19) for each join.

Overall Rough Opening Width

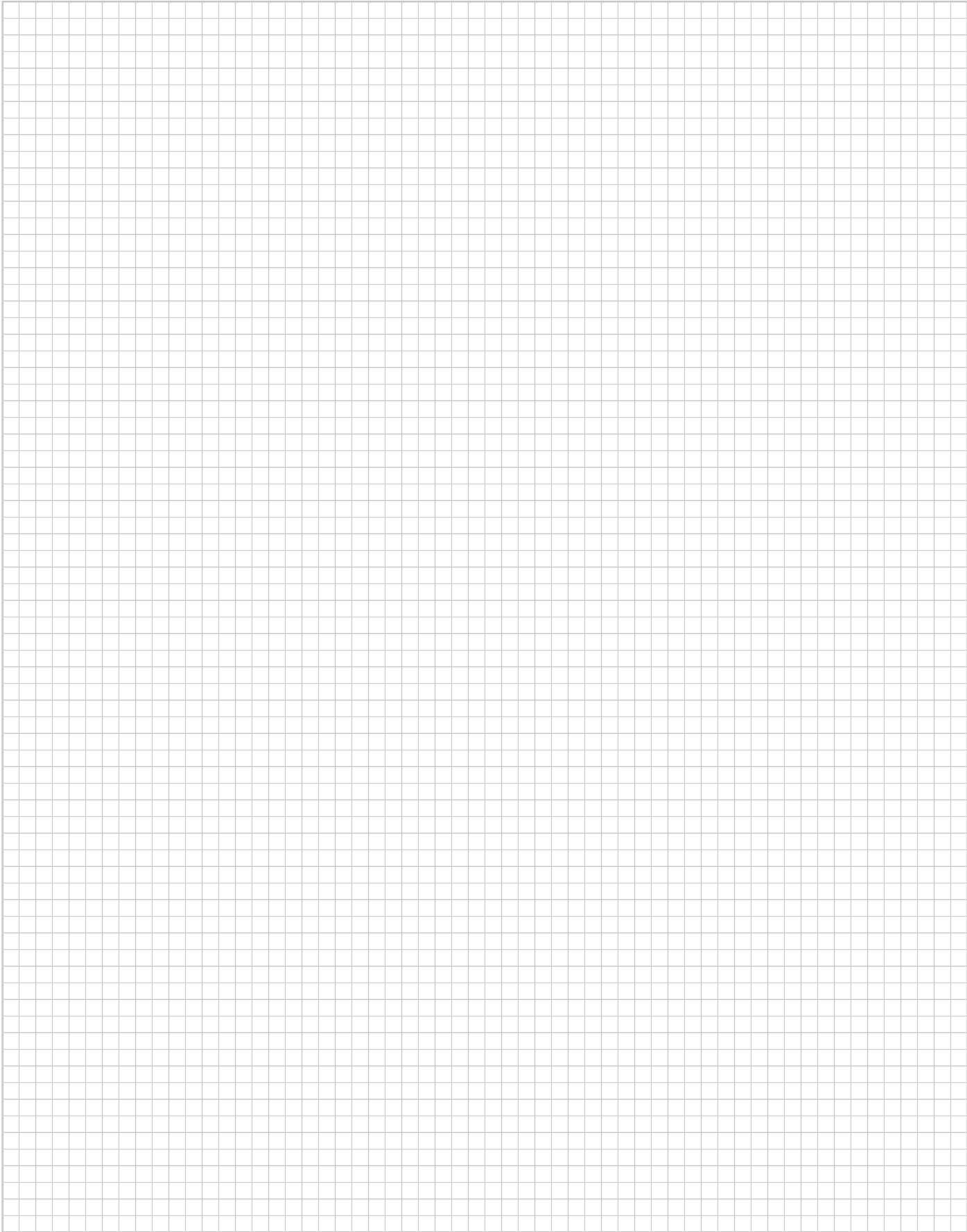
Overall door width plus 3/4" (19).



Andersen does not recommend joining of receiver jamb to receiver jamb. For more joining information, see the combination designs section starting on page 255.

- 4 9/16" (116) jamb depth measurement is from backside of installation flange.
- Light-colored areas are parts included with door Dark-colored areas are additional Andersen® parts required to complete door assembly as shown.
- Rough openings may need to be increased to allow for use of building wraps, flashing, sill panning, brackets, fasteners or other items. See installation information on pages 288-289.
- Details are for illustration only and are not intended to represent product installation methods or materials. Refer to product installation guides at andersenwindows.com.
- Andersen recommends installation of doors into separate rough openings. Consult with an architect or structural engineer regarding minimum requirements for structural support members between adjacent rough openings.
- Dimensions in parentheses are in millimeters.

NOTES PAGE



PERMA-SHIELD[®] GLIDING PATIO DOORS

CUSTOM SIZING
in 1/8" (3) increments



SECTION REFERENCE

Table of Sizes.....	244
Specifications	245
Custom Sized Doors.....	244
Grille Patterns	245
Door Details	245-246
Joining Details.....	246
Combination Designs	255
Performance Data.....	269
Warranty.....	290-291

Dimensions in parentheses are in millimeters.

PERMA-SHIELD® GLIDING PATIO DOORS

FEATURES

Frame

A The sill has an anodized aluminum track with a stainless steel cap that resists stain, rust and denting.* A thermal barrier reduces conductive heat loss and limits condensation on the inside.

B All basic exterior frame members are covered with a rigid vinyl which maintains an attractive appearance while minimizing maintenance.

C Wood frame members are treated with a water-repellent preservative for long-lasting** protection and performance.

Factory-assembled doors are available (two-panel doors) and arrive at the jobsite ready to install. Unassembled doors are also available and require jobsite assembly.

D A flexible vinyl weatherstrip on the head and side jambs provides a positive seal between the frame and panels.

Panel

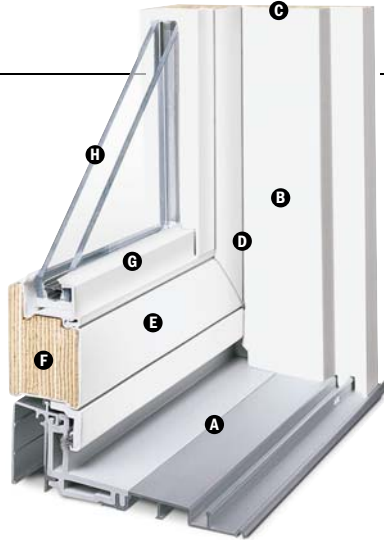
E All panel surfaces are covered with a rigid vinyl which maintains an attractive appearance while minimizing maintenance.

F Laminated veneer lumber panels provide excellent structural stability and energy efficiency.

Dual-rollers on door panels provide smooth gliding operation with self-contained leveling adjusters.

Flexible Seal

A full-length combination weatherstrip/interlock system provides a flexible seal at the meeting stile.



Glass

G A high-performing thermoplastic glazing bead features a flexible lip which provides superior weathertightness and long-term durability.

H Glass options include:

- Low-E tempered glass
- Low-E HeatLock® tempered glass
- Low-E Sun tempered glass
- Low-E SmartSun™ tempered glass
- Low-E SmartSun HeatLock tempered glass
- Dual-pane tempered glass

Additional glass options are available. Contact your Andersen supplier.

A removable translucent film helps shield the glass from damage during delivery and construction and simplifies finishing at the jobsite

Blinds-Between-the-Glass



Blinds-between-the-glass are available for select gliding patio door sizes when ordered with Low-E tempered glass. White ½" (13) aluminum slat blinds come mounted between two panes of insulated glass in a dust-free environment. Blinds are magnetically controlled and can be tilted or raised and lowered using low profile controls. Smooth, simple operation allows for customized light and privacy control. Available in 33611, 5068, 51168 and 61611 door sizes. For more information contact your Andersen supplier.

EXTERIOR & INTERIOR



HARDWARE FINISHES



Distressed bronze and oil rubbed bronze are "living" finishes that will change with time and use.

GLIDING PATIO DOOR HARDWARE OPTIONS** Bold name denotes finish shown.



YUMA®

Distressed Bronze
Distressed Nickel



ENCINO®

Distressed Bronze
Distressed Nickel



ANVERS®

Bright Brass
Oil Rubbed Bronze
Satin Nickel



NEWBURY®

Antique Brass
Bright Brass
Brushed Chrome
Oil Rubbed Bronze
Polished Chrome
Satin Nickel



COVINGTON™

Antique Brass
Bright Brass
Oil Rubbed Bronze



WHITMORE®

Antique Brass
Bright Brass
Oil Rubbed Bronze
Satin Nickel



ALBANY

Black
Gold Dust
Stone
White



TRIBECA®

Stone
White

* Visit andersenwindows.com/warranty for details.

** Hardware sold separately.

Dimensions in parentheses are in millimeters.

Printing limitations prevent exact duplication of colors and finishes. See your Andersen supplier for actual color and finish samples.

Tribecca and Albany hardware are zinc diecast with powder-coated durable finish. Other hardware is solid forged brass. Mix-and-match interior and exterior style and finish options are available. Bright brass and satin nickel finishes feature a 10-year limited warranty.

Locking System

Reachout Locking Hardware



The unique Andersen® reachout locking system pulls the door panel snugly into the jamb for weathertightness and enhanced security.

StormWATCH[®]

PROTECTION

Select Perma-Shield® gliding patio door sizes are available with Stormwatch® protection. For more information contact your Andersen supplier.

Performance Grade (PG) Upgrade

Heavy-duty rollers and reinforced frame and panel components allow standard glass units to achieve higher performance ratings. Performance Grade (PG) Ratings replace Design Pressure (DP) Ratings for measuring product performance. For up-to-date performance information of individual products please visit andersenwindows.com.

ACCESSORIES Sold Separately

Frame

Extension Jamb

Standard jamb depth is 4 9/16" (116). Pine, oak or maple veneer or prefinished White interior extension jambs are available in 1/16" (1.5) increments between 5 1/16" (129) and 7 1/8" (181).

Threshold



An oak or maple threshold is available for finishing the interior of the sill.

Ramped Sill Insert



Ramped sills in oak or maple provide smooth transition from interior to exterior and can be used with a retractable insect screen, but not a gliding insect screen. Used here with an Andersen® Frenchwood® patio door. (Specifier must check with local and federal officials to determine if product meets accessibility codes.)

Sill Support



An aluminum sill support is designed to lock into a channel under the sill and tie back into the wall. This will offer support to the outermost sill section when needed. Available in neutral gray finish.

Hardware

Exterior Keyed Lock



A six-pin key cylinder lock is available in styles and finishes that coordinate with hardware. This lock allows the gliding door to be locked and unlocked from the exterior.

Auxiliary Foot Lock



Provides an extra measure of security when the door is in a locked position. Lock can be set so the door is fully closed or partially open to provide a secure venting position. Available in all hardware finishes.

Security Sensors

VeriLock® Sensors

VeriLock sensors are available in five colors. See page 30 for details.

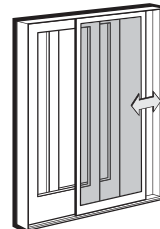
Open/Closed Sensors

Wireless open/closed sensors are available in four colors. See page 30 for details.

Insect Screens

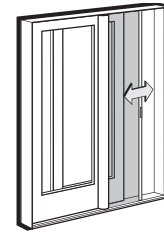
All insect screens have a long-lasting* fiberglass screen mesh with a charcoal finish and are color matched to the exterior of the door unless otherwise specified.

Gliding Insect Screen



Patented square corner joint construction adds considerable strength to the frame members. The insect screen is available for both two-panel doors and four-panel doors. Gliding insect screens have Delrin® injection-molded bottom rollers with self-contained leveling adjusters, providing smooth operation. Interior and exterior pulls and latch are provided.

Retractable Insect Screen



The retractable insect screen is installed on the exterior of the door and opens side-to-side across the width of the opening. When the insect screen is not in use, it neatly retracts into a small canister mounted on the exterior of the door. The retractable insect screen canister is available for two-panel patio doors in White, Canvas, Sandtone, Terratone, Dark Bronze and Black colors. Please note, retractable insect screen track reduces clear opening height by 1" (25).

Grilles

Grilles are available in a variety of configurations and widths. For patio door grille patterns, see page 245.

Sidelights

Stationary units can also be selected for use as sidelights. See size table on page 244 for size options.

Exterior Trim

This product is available with Andersen® Exterior Trim. See pages 215-220 for details.

CAUTION:

- Painting and staining may cause damage to rigid vinyl.
- Do not paint 200 Series doors with White, Canvas, Sandtone, Dark Bronze or Black exterior colors.
- Andersen does not warrant the adhesion or performance of homeowner-applied paint over vinyl or other factory-coated surfaces.
- 200 Series windows in Terratone color may be painted any color lighter than Terratone color using quality oil-base or latex paint.
- For vinyl painting instructions and preparation, contact your Andersen supplier.
- Do not paint weatherstripping.
- Creosote-based stains should not come in contact with Andersen products.
- Abrasive cleaners or solutions containing corrosive solvents should not be used on Andersen products.

For more information about **glass and grilles** see pages 10-11.

For more information about **combination designs, product performance, installation accessories and warranty** see pages 255-291 or visit

 andersenwindows.com

*Visit andersenwindows.com/warranty for details.

NOTE: Andersen® patio doors are not intended for use as entrance doors.

Dimensions in parentheses are in millimeters.

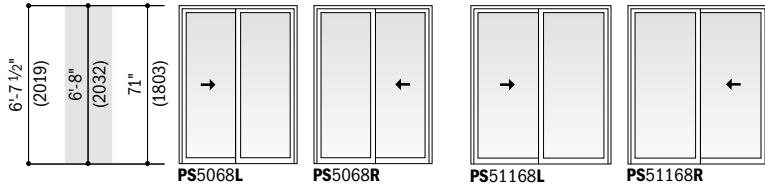
*Delrin® is a registered trademark of E. I. du Pont de Nemours and Company.

PERMA-SHIELD® GLIDING PATIO DOORS

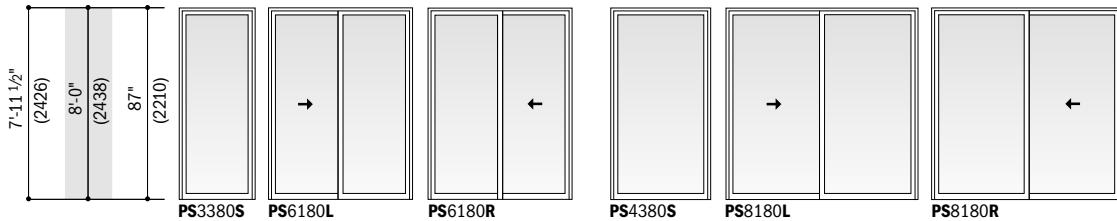
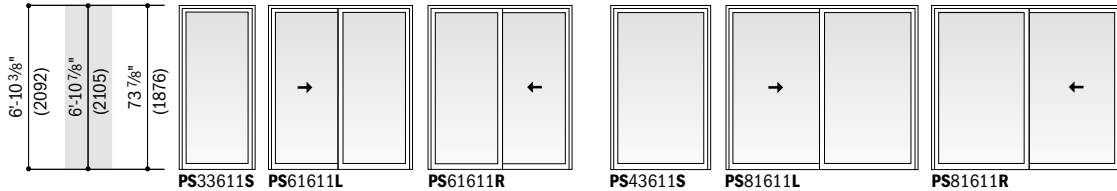
Table of Perma-Shield® Gliding Patio Door Sizes

Scale 1/8" = 1'-0" (1:96)

Door Dimension	4'-11 1/4" (1505)	4'-11 1/4" (1505)	5'-10 1/2" (1791)	5'-10 1/2" (1791)
Minimum Rough Opening	5'-0" (1524)	5'-0" (1524)	5'-11 1/4" (1810)	5'-11 1/4" (1810)
Unobstructed Glass (single panel only)	24 3/4" (629)	24 3/4" (629)	30 3/8" (772)	30 3/8" (772)



Door Dimension	3'-2 3/8" (975)	6'-0" (1829)	6'-0" (1829)	4'-2 3/8" (1280)	8'-0" (2438)	8'-0" (2438)
Minimum Rough Opening	3'-3 1/8" (994)	6'-0 3/4" (1848)	6'-0 3/4" (1848)	4'-3 1/8" (1299)	8'-0 3/4" (2457)	8'-0 3/4" (2457)
Unobstructed Glass (single panel only)	31 1/8" (791)	31 1/8" (791)	31 1/8" (791)	43 1/8" (1095)	43 1/8" (1095)	43 1/8" (1095)

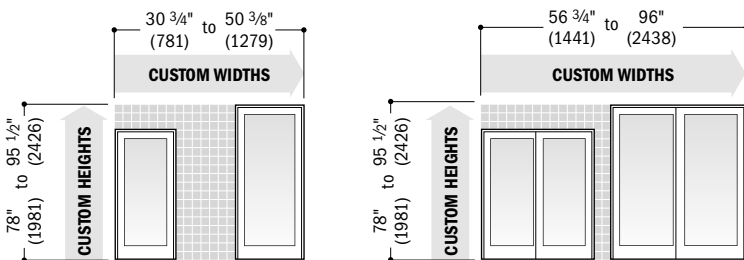


Custom-size doors are available in 1/8" (3) increments. See below for custom sizes and specifications.

Viewed from the exterior. Arrow indicates direction of panel operation. Stationary (S) doors can be used as an individual unit or as a sidelight. Grille patterns shown on page 245.

- "Door Dimension" always refers to outside frame to frame dimension.
- "Minimum Rough Opening" dimensions may need to be increased to allow for use of building wraps, flashing, sill panning, brackets, fasteners or other items. See pages 288-289 for more details.
- Dimensions in parentheses are in millimeters.
- For doors with blinds between the glass, unobstructed glass width dimension is reduced.

Custom Sizes and Specification Formulas



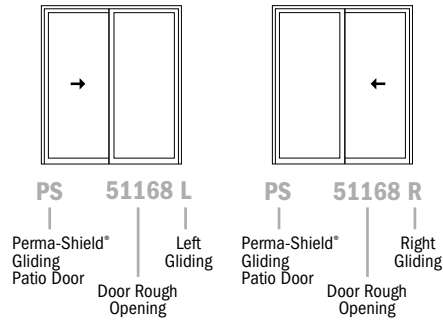
Available in 1/8" (3) increments between minimum and maximum widths and heights shown. Some restrictions apply. Measurement guide can be found at andersenwindows.com/measure.

Clear Opening 	Two-Panel Width = (width + 2) - 7.5" (191) Height = height - 4.155" (106)	Minimum R.O. 	Width = width + 3/4" (19) Height = height + 1/2" (13)	Unobstr. Glass 	Single-Panel Width = width - 7.25" (184) Height = height - 8.562" (217)
	Two-Panel Width = width - 9.75" (248) Height = height - 8.562" (217)		Two-Panel Width = width - 9.75" (248) Height = height - 8.562" (217)		

- Dimensions in parentheses are in millimeters.
- **Clear Opening** formulas provide dimensions for determining area available for egress. Vent opening, or area available for passage of air, is equal to clear opening. **Minimum R.O.** (minimum rough opening) formulas provide minimum rough opening width and height dimensions. **Unobstr. Glass** (unobstructed glass) formulas provide dimensions for determining area available for passage of light.

Order Designation Description

Viewed from the exterior.



Two-Panel Perma-Shield® Gliding Patio Door Opening and Area Specifications

Door Number	Clear Opening Area Sq. Ft./ (m ²)	Clear Opening in Full Open Position		Glass Area Sq. Ft./ (m ²)	Vent Area Sq. Ft./ (m ²)	Overall Door Area Sq. Ft./ (m ²)
		Width Inches/(mm)	Height Inches/(mm)			
PS5068	11.64 (1.08)	22 1/8" (562)	75 3/4" (1924)	24.90 (2.31)	11.64 (1.08)	32.71 (3.04)
PS51168	14.60 (1.36)	27 3/4" (705)	75 3/4" (1924)	30.40 (2.82)	14.60 (1.36)	38.92 (3.62)
PS61611	15.56 (1.45)	28 1/2" (724)	78 5/8" (1997)	32.40 (3.01)	15.56 (1.45)	41.19 (3.83)
PS81611	22.11 (2.05)	40 1/2" (1029)	78 5/8" (1997)	44.20 (4.11)	22.11 (2.05)	54.92 (5.10)
PS6180	18.16 (1.69)	28 1/2" (724)	91 3/4" (2330)	37.60 (3.49)	18.16 (1.69)	47.75 (4.44)
PS8180	25.80 (2.40)	40 1/2" (1029)	91 3/4" (2330)	52.10 (4.84)	25.80 (2.40)	63.67 (5.92)

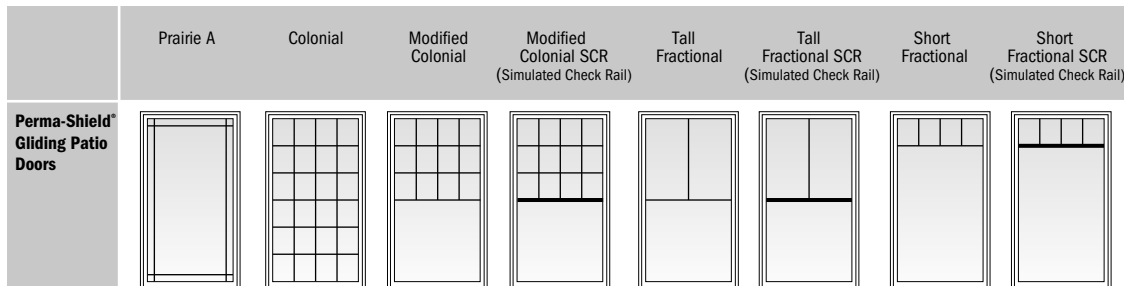
• Dimensions in parentheses are in millimeters or square meters.

Stationary Perma-Shield® Gliding Patio Door Area Specifications

Door Number	Glass Area Sq. Ft./ (m ²)	Overall Door Area Sq. Ft./ (m ²)
PS33611	16.00 (1.49)	21.95 (2.04)
PS43611	22.10 (2.05)	28.82 (2.68)

• Dimensions in parentheses are in square meters.

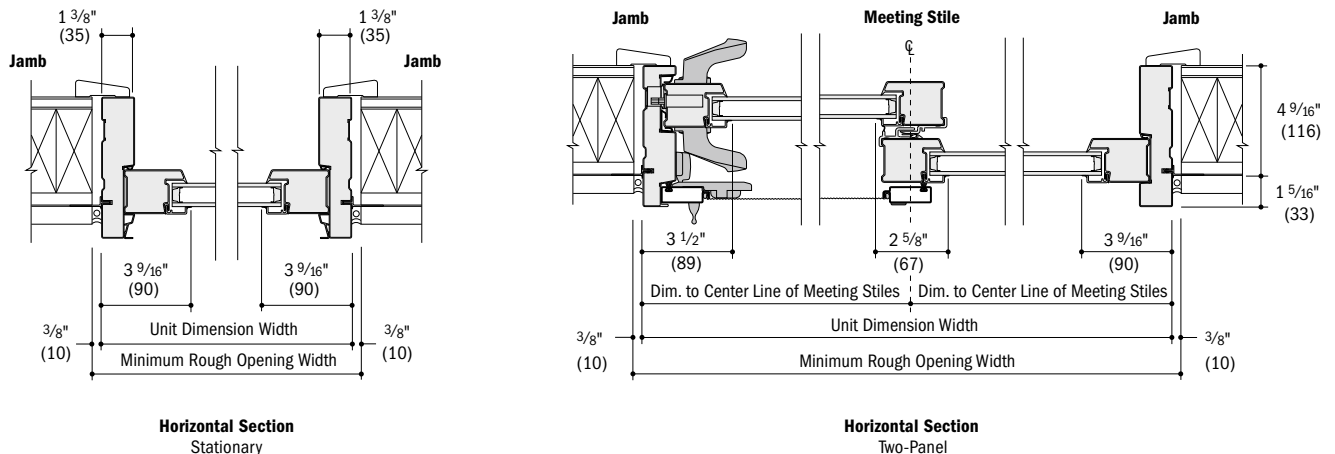
Grille Patterns



Number of lights and overall pattern varies with panel size. Patterns are not available in all configurations. For more information on divided light, see page 11 or visit andersenwindows.com/grilles.

Perma-Shield® Gliding Patio Door Details

Scale 1 1/2" (38) = 1'-0" (305) – 1:8

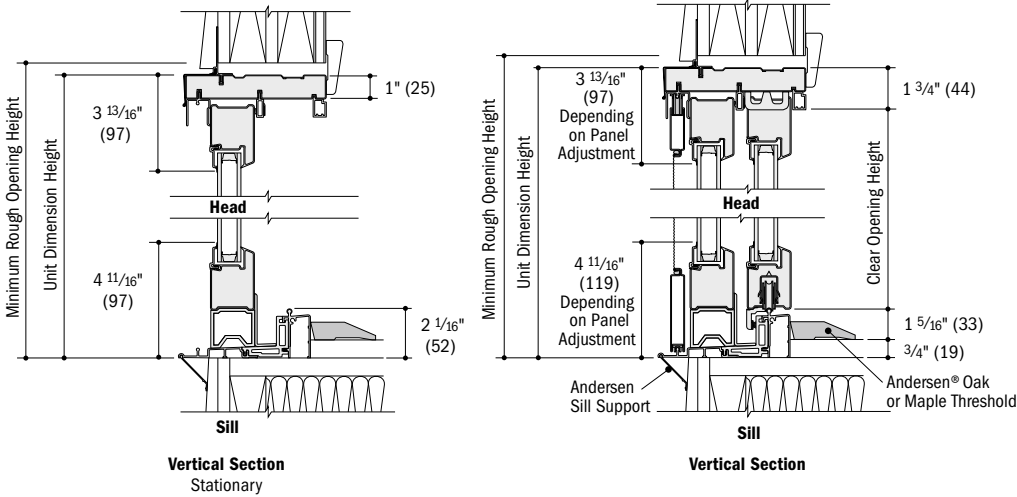


- Light-colored areas are parts included with window. Dark-colored areas are additional Andersen® parts required to complete window assembly as shown.
- **Rough openings may need to be increased to allow for use of building wraps, flashing, sill panning, brackets, fasteners or other items. See installation information on pages 288-289.**
- Details are for illustration only and are not intended to represent product installation methods or materials. Refer to product installation guides at andersenwindows.com.
- Dimensions in parentheses are in millimeters.

PERMA-SHIELD® GLIDING PATIO DOORS

Perma-Shield® Gliding Patio Door Details

Scale 1 1/2" (38) = 1'-0" (305) – 1:8



Vertical Joining Detail

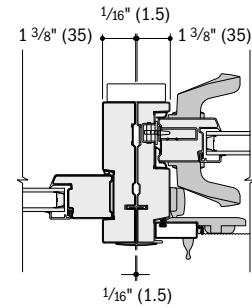
Scale 1 1/2" (38) = 1'-0" (305) – 1:8

Overall Door Dimension Width

Sum of individual door widths plus 1/16" (1.5) for each join.

Overall Rough Opening Width

Overall door width plus 3/4" (19).

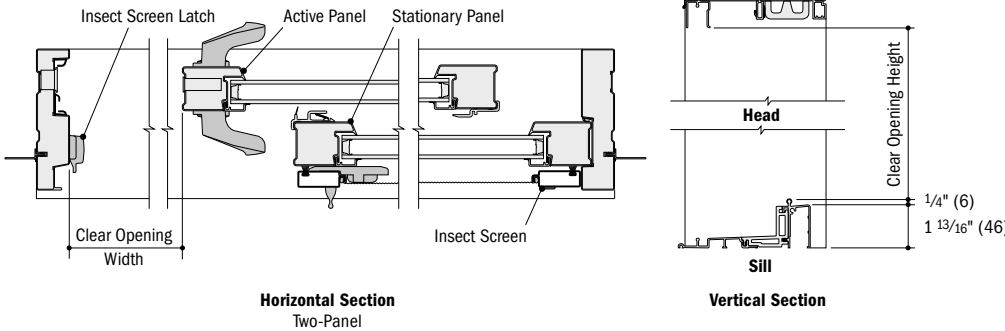


Horizontal Section

Perma-Shield® Gliding to Perma-Shield Gliding

Clear Opening Details

Scale 1 1/2" (38) = 1'-0" (305) – 1:8



Vertical Joining Detail - LVL

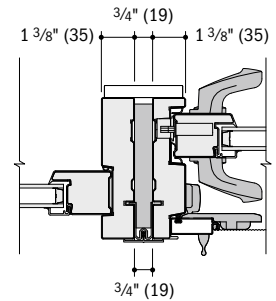
Scale 1 1/2" (38) = 1'-0" (305) – 1:8

Overall Door Dimension Width

Sum of individual door widths plus 3/4" (19) for each join.

Overall Rough Opening Width

Overall door width plus 3/4" (19).

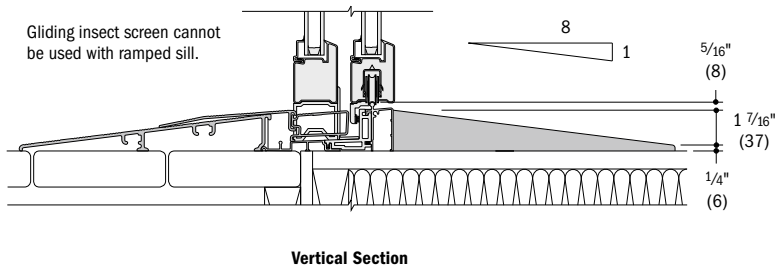


Horizontal Section

Perma-Shield® Gliding to Perma-Shield Gliding

Ramped Sill Detail

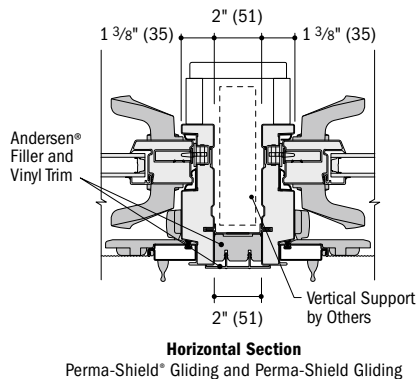
Scale 1 1/2" (38) = 1'-0" (305) – 1:8



Separate Rough Openings Detail

Scale 1 1/2" (38) = 1'-0" (305) – 1:8

To meet structural requirements or to achieve a wider joined appearance, doors may be installed into separate rough openings having vertical support (by others) in combination with Andersen® exterior filler and exterior vinyl trim.



Andersen does not recommend joining of receiver jamb to receiver jamb. For more joining information, see the combination designs section starting on page 255.

- Light-colored areas are parts included with door. Dark-colored areas are additional Andersen® parts required to complete door assembly as shown.
- **Rough openings may need to be increased to allow for use of building wraps, flashing, sill panning, brackets, fasteners or other items. See installation information on pages 288-289.**
- Details are for illustration only and are not intended to represent product installation methods or materials. Refer to product installation guides at andersenwindows.com.
- Andersen recommends installation of doors into separate rough openings. Consult with an architect or structural engineer regarding minimum requirements for structural support members between adjacent rough openings.
- Dimensions in parentheses are in millimeters.

HINGED PATIO DOORS – INSWING

200 Series
Hinged Patio Doors –
Inswing



SECTION REFERENCE

Tables of Sizes	250-251
Specifications	252
Grille Patterns	253
Door Details	253-254
Joining Detail	254
Combination Designs	255
Product Performance	269
Warranty	290-291

HINGED PATIO DOORS – INSWING

FEATURES

Frame

- A** A unique anodized aluminum sill design controls water and helps funnel it away from the door to minimize water infiltration. Also available with optional bronze anodized sill.
- B** Exterior frame is clad with aluminum, which maintains an attractive appearance while minimizing maintenance. Frame is predrilled for convenient installation. Specially designed plugs cover the installation screws for a clean appearance.
- C** A preservative-treated wood subframe with a frame end protector at the sill resists rot and provides long-lasting* protection and performance.
- D** Durable Santoprene® weatherstripping on the frame provides effective protection against water and air infiltration.
- E** Unique sweep/sill interface completes the perimeter protection and allows for easier operation of the door and long-lasting* weatherstrip (no friction of the sweep against the sill).



Effective Weatherstripping



Durable rubberized Santoprene® gasket-type weatherstripping is applied to the frame (sides and head jamb) and engages when the door panel is closed. The panel has a sweep system at the sill that completes the perimeter protection.

Panel

- F** Durable low-maintenance interior and exterior resist weather and rot. Sturdy fiberglass construction provides long-lasting* performance. Insulated bottom rail enhances energy efficiency.
- G** Traditional French door styling features a tall bottom rail and wide stiles. Panel is built to tolerances within 1/32" (1) for smooth operation and maximum durability.
- H** Unique corner keys in the panel allow for tight, attractive corners.

Adjustable Hinges

Adjustable hinges help provide a weathertight seal and smooth operation. Available in antique brass, bright brass, satin nickel, oil rubbed bronze and white.



Glass

- I** Panels are silicone bed glazed for maximum weather resistance.
- J** Glass options include:
 - Low-E tempered glass
 - Low-E HeatLock® tempered glass
 - Low-E Sun tempered glass
 - Low-E SmartSun™ tempered glass
 - Low-E SmartSun HeatLock tempered glass
 - Dual-pane tempered glass

Additional glass options are available. Contact your Andersen supplier.

A removable translucent film helps shield the glass from damage during delivery and construction and simplifies finishing at the jobsite.

Locking System

Hook Deadbolt

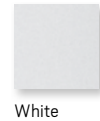


Hook deadbolt lock comes pre-installed, reducing installation time. The mortised lock and hook design provides strength and added security compared to bored locks with standard deadbolts. Multi-point locks are standard on 7'-6" (2286) and 8'-0" (2438) height doors. Multi-point locks can be ordered for 6'-8" (2032) and 6'-11" (2108) doors as an option. Contact your Andersen supplier for availability.

EXTERIOR



INTERIOR



HARDWARE FINISHES



Distressed bronze and oil rubbed bronze are "living" finishes that will change with time and use.

HINGED PATIO DOOR HARDWARE OPTIONS** Bold name denotes finish shown.

YUMA®	ENCINO®	ANVERS®	NEWBURY®	COVINGTON™	WHITMORE®	ALBANY	TRIBECA®
Distressed Bronze Distressed Nickel	Distressed Bronze Distressed Nickel	Bright Brass Oil Rubbed Bronze Satin Nickel	Antique Brass Bright Brass Brushed Chrome Oil Rubbed Bronze Polished Chrome Satin Nickel	Antique Brass Bright Brass Oil Rubbed Bronze	Antique Brass Bright Brass Oil Rubbed Bronze Satin Nickel	Black Gold Dust Stone White	Stone White

* Visit andersenwindows.com/warranty for details.

** Hardware sold separately.

"Santoprene" is a registered trademark of Advanced Elastomer Systems, L.P.

Dimensions in parentheses are in millimeters.

Printing limitations prevent exact duplication of colors and finishes. See your Andersen supplier for actual color and finish samples.

Tribeca and Albany hardware are zinc diecast with powder-coated durable finish. Other hardware is solid forged brass. Mix-and-match interior and exterior style and finish options are available. Bright brass and satin nickel finishes feature a 10-year limited warranty.

Jamb Depth

Choose either a 6 9/16" (167) or 4 9/16" (116) jamb depth. Also available with accessible door.



6 9/16" (167) Jamb Depth



4 9/16" (116) Jamb Depth

Sill

For an optional look, a bronze anodized sill is also available.

Accessible Door



Andersen offers a single-panel accessible door that is 3'-2 1/8" (968) wide and includes a low-threshold sill [1/2" (51) high]. Bottom rail height is 10 1/4" (260). Available in bronze anodized finish only. Low threshold sill is not available for other door widths.

For more information about **glass and grilles** see pages 10-11.

For more information about **combination designs, product performance, installation accessories and warranty** see pages 255-291 or visit

 andersenwindows.com

ACCESSORIES Sold Separately

Frame

Extension Jamb

Standard jamb depth is 4 9/16" (116). A 6 9/16" (167) jamb depth is also available. Prefinished White interior extension jambs available in 1/16" (1.5) increments between 5 1/16" (129) and 7 1/8" (181). Interior extension jambs on inswing units will restrict the full opening of the door. These extension jambs can also be added to 6 9/16" (167) jambs.

Hardware

Exterior Keyed Lock



A six-pin key cylinder lock is available in styles and finishes that coordinate with hardware. This lock allows the hinged patio door to be locked and unlocked from the exterior.

Handle Extension



Extends interior door handle an additional 1" (25) from the door panel to accommodate interior blinds or shades. Kit includes one handle extender and spindle. A second extender may be added to the spindle to increase the length an additional 1" (25) to a 2" (51) total extension. Extenders are available in finishes that coordinate with hardware.

Strike Plate Extensions

Bright brass, antique brass, polished chrome, oil rubbed bronze, brushed chrome and satin nickel strike plate extensions are available for single-hinge doors.

Available for the following wall thicknesses:

- 5 1/4" (133)
- 6 9/16" (167)
- 7 1/8" (181)

Construction Lock



This hardware can be used on all Andersen® hinged doors to help secure the jobsite during the construction phase of the project. It features an undersized escutcheon plate, which makes on-site finishing easier. Shown on 400 Series hinged patio door.

Security Sensors

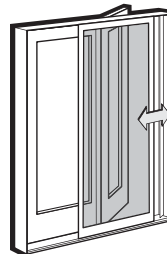
Open/Closed Sensors

Wireless open/closed sensors are available in four colors. See page 30 for details.

Insect Screens

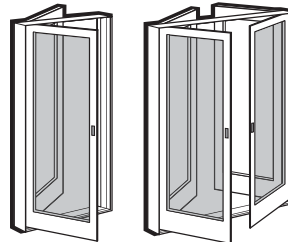
All insect screens have a long-lasting* fiberglass screen mesh with a charcoal finish and are color matched to the exterior of the door unless otherwise specified.

Gliding Insect Screen



Available for two-panel active/stationary doors. Features Delrin® material injection molded bottom rollers with self-contained leveling adjusters.

Hinged Insect Screens



Available for single-panel hinged doors and two-panel jamb-hinged doors.

Grilles

Grilles are available in a variety of configurations and widths. For patio door grille patterns, see page 253.

Exterior Trim

This product is available with Andersen® Exterior Trim. See pages 215-220 for details.

CAUTION:

- Painting and staining may cause damage to rigid vinyl.
- Do not paint 200 Series doors with White or Sandtone exterior colors.
- Andersen does not warrant the adhesion or performance of homeowner-applied paint over vinyl or other factory-coated surfaces.
- 200 Series windows in Terratone color may be painted any color lighter than Terratone color using quality oil-base or latex paint.
- For vinyl painting instructions and preparation, contact your Andersen supplier.
- Do not paint weatherstripping.
- Creosote-based stains should not come in contact with Andersen products.
- Abrasive cleaners or solutions containing corrosive solvents should not be used on Andersen products.

*Visit andersenwindows.com/warranty for details.

NOTE: Andersen® patio doors are not intended for use as entrance doors.


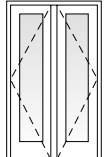
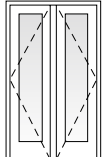



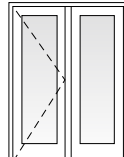
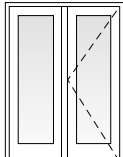
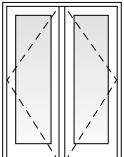
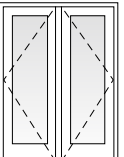



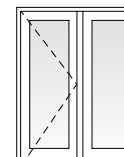
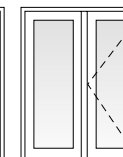
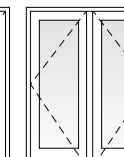
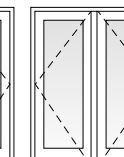

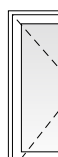

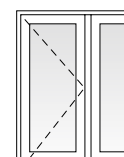

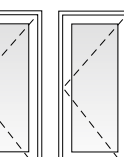
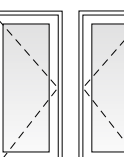
Dimensions in parentheses are in millimeters.

*Delrin® is a registered trademark of E. I. du Pont de Nemours and Company.

HINGED PATIO DOORS – INSWING

Table of Hinged Inswing Patio Door Sizes

Scale 1/8" = 1'-0" (1:96)

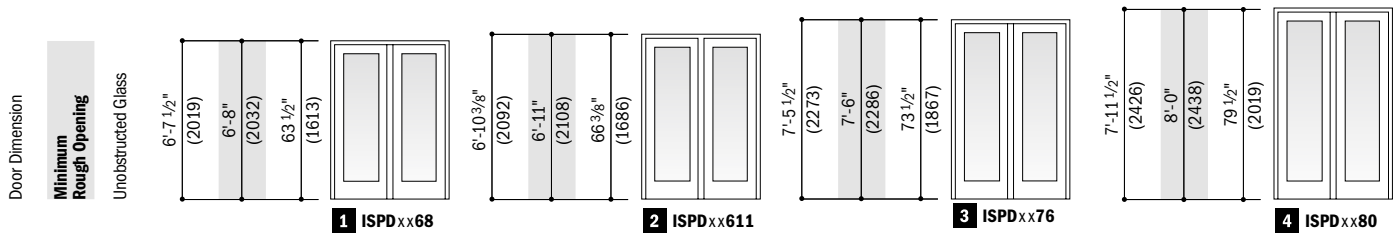
Door Dimension	2'-0 1/2" (620)		4'-0" (1219)		4'-0" (1219)		
Minimum Rough Opening	2'-1" (634)		4'-1" (1242)		4'-1" (1242)		
Unobstructed Glass (single panel only)	13 1/4" (336)		13 1/4" (336)		13 1/4" (336)		
4 heights	 <ol style="list-style-type: none"> 1 ISPD2168S 2 ISPD21611S 3 ISPD2176S 4 ISPD2180S 		 <ol style="list-style-type: none"> 1 ISPD4168APLR 2 ISPD41611APLR 3 ISPD4176APLR 4 ISPD4180APLR 		 <ol style="list-style-type: none"> 1 ISPD4168PALR 2 ISPD41611PALR 3 ISPD4176PALR 4 ISPD4180PALR 		
Door Dimension	2'-6 1/8" (765)	2'-6 1/8" (765)	2'-6 1/8" (765)	4'-11 1/4" (1504)	4'-11 1/4" (1504)	4'-11 1/4" (1504)	4'-11 1/4" (1504)
Minimum Rough Opening	2'-7" (787)	2'-7" (787)	2'-7" (787)	5'-0" (1524)	5'-0" (1524)	5'-0" (1524)	5'-0" (1524)
Unobstructed Glass (single panel only)	18 7/8" (479)	18 7/8" (479)	18 7/8" (479)	18 7/8" (479)	18 7/8" (479)	18 7/8" (479)	18 7/8" (479)
4 heights	 <ol style="list-style-type: none"> 1 ISPD2768S 2 ISPD27611S 3 ISPD2776S 4 ISPD2780S 	 <ol style="list-style-type: none"> 1 ISPD2768AR 2 ISPD27611AR 3 ISPD2776AR 4 ISPD2780AR 	 <ol style="list-style-type: none"> 1 ISPD2768AL 2 ISPD27611AL 3 ISPD2776AL 4 ISPD2780AL 	 <ol style="list-style-type: none"> 1 ISPD5068ASR 2 ISPD50611ASR 3 ISPD5076ASR 4 ISPD5080ASR 	 <ol style="list-style-type: none"> 1 ISPD5068SAL 2 ISPD50611SAL 3 ISPD5076SAL 4 ISPD5080SAL 	 <ol style="list-style-type: none"> 1 ISPD5068APLR 2 ISPD50611APLR 3 ISPD5076APLR 4 ISPD5080APLR 	 <ol style="list-style-type: none"> 1 ISPD5068PALR 2 ISPD50611PALR 3 ISPD5076PALR 4 ISPD5080PALR
Door Dimension	2'-8 1/8" (816)	2'-8 1/8" (816)	2'-8 1/8" (816)	5'-3 1/4" (1607)	5'-3 1/4" (1607)	5'-3 1/4" (1607)	5'-3 1/4" (1607)
Minimum Rough Opening	2'-9" (838)	2'-9" (838)	2'-9" (838)	5'-4" (1626)	5'-4" (1626)	5'-4" (1626)	5'-4" (1626)
Unobstructed Glass (single panel only)	20 7/8" (530)	20 7/8" (530)	20 7/8" (530)	20 7/8" (530)	20 7/8" (530)	20 7/8" (530)	20 7/8" (530)
4 heights	 <ol style="list-style-type: none"> 1 ISPD2968S 2 ISPD29611S 3 ISPD2976S 4 ISPD2980S 	 <ol style="list-style-type: none"> 1 ISPD2968AR 2 ISPD29611AR 3 ISPD2976AR 4 ISPD2980AR 	 <ol style="list-style-type: none"> 1 ISPD2968AL 2 ISPD29611AL 3 ISPD2976AL 4 ISPD2980AL 	 <ol style="list-style-type: none"> 1 ISPD5468ASR 2 ISPD54611ASR 3 ISPD5476ASR 4 ISPD5480ASR 	 <ol style="list-style-type: none"> 1 ISPD5468SAL 2 ISPD54611SAL 3 ISPD5476SAL 4 ISPD5480SAL 	 <ol style="list-style-type: none"> 1 ISPD5468APLR 2 ISPD54611APLR 3 ISPD5476APLR 4 ISPD5480APLR 	 <ol style="list-style-type: none"> 1 ISPD5468PALR 2 ISPD54611PALR 3 ISPD5476PALR 4 ISPD5480PALR
Door Dimension	3'-0 1/8" (918)	3'-0 1/8" (918)	3'-0 1/8" (918)	5'-11 1/4" (1810)	5'-11 1/4" (1810)	5'-11 1/4" (1810)	5'-11 1/4" (1810)
Minimum Rough Opening	3'-1" (940)	3'-1" (940)	3'-1" (940)	6'-0" (1829)	6'-0" (1829)	6'-0" (1829)	6'-0" (1829)
Unobstructed Glass (single panel only)	24 7/8" (632)	24 7/8" (632)	24 7/8" (632)	24 7/8" (632)	24 7/8" (632)	24 7/8" (632)	24 7/8" (632)
4 heights	 <ol style="list-style-type: none"> 1 ISPD3168S 2 ISPD31611S 3 ISPD3176S 4 ISPD3180S 	 <ol style="list-style-type: none"> 1 ISPD3168AR 2 ISPD31611AR 3 ISPD3176AR 4 ISPD3180AR 	 <ol style="list-style-type: none"> 1 ISPD3168AL 2 ISPD31611AL 3 ISPD3176AL 4 ISPD3180AL 	 <ol style="list-style-type: none"> 1 ISPD6068ASR 2 ISPD60611ASR 3 ISPD6076ASR 4 ISPD6080ASR 	 <ol style="list-style-type: none"> 1 ISPD6068SAL 2 ISPD60611SAL 3 ISPD6076SAL 4 ISPD6080SAL 	 <ol style="list-style-type: none"> 1 ISPD6068APLR 2 ISPD60611APLR 3 ISPD6076APLR 4 ISPD6080APLR 	 <ol style="list-style-type: none"> 1 ISPD6068PALR 2 ISPD60611PALR 3 ISPD6076PALR 4 ISPD6080PALR

Stationary (S) doors can be used as an individual unit or as a sidelight.

Grille patterns shown on page 253.

- "Door Dimension" always refers to outside frame to frame dimension.
- "Minimum Rough Opening" dimensions may need to be increased to allow for use of building wraps, flashing, sill panning, brackets, fasteners or other items. See pages 288-289 for more details.
- Dimensions in parentheses are in millimeters.

Four Patio Door Heights



200 Series
Hinged Patio Doors —
Inswing

Door Dimension	3'-2 1/8" (968)	3'-2 1/8" (968)
Minimum Rough Opening	3'-3" (991)	3'-3" (991)
Unobstructed Glass (single panel only)	26 7/8" (683)	26 7/8" (683)

Accessibility Width Patio Door Also Available

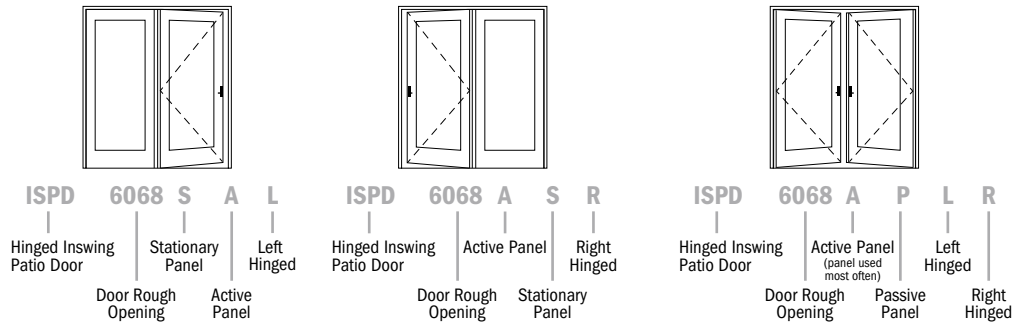
For easier access, this single panel door offers a 32" (813) clear opening when the panel is open 90°, a 1/2" (13) threshold, and a bottom rail height of 10 1/4" (260). This door has a limited water rating (LW) due to the low-threshold sill.

3 heights	1 ISPD33611AR	ISPD33611AL
	2 ISPD3376AR	ISPD3376AL
	3 ISPD3380AR	ISPD3380AL

- "Door Dimension" always refers to outside frame to frame dimension.
- "Minimum Rough Opening" dimensions may need to be increased to allow for use of building wraps, flashing, sill panning, brackets, fasteners or other items. See pages 288-289 for more details.
- Dimensions in parentheses are in millimeters.

Order Designation Description

Viewed from the exterior.



HINGED PATIO DOORS – INSWING

Hinged Inswing Patio Door Opening and Area Specifications

Door Number	Number of Panels in Open Position*	Clear Opening Maximums						Glass Area Sq. Ft./ (m ²)	Vent Area Sq. Ft./ (m ²)	Overall Door Area Sq. Ft./ (m ²)
		Clear Opening Area Sq. Ft./ (m ²)		90° Width Inches/(mm)		Width Inches/(mm)				
ISPD2768	1	13.52 (1.26)	25 3/8" (644)	27 9/16" (701)	76 3/4" (1949)	8.32 (0.77)	13.52 (1.26)	16.61 (1.54)		
ISPD2968	1	14.58 (1.36)	27 3/8" (695)	29 9/16" (752)	76 3/4" (1949)	9.20 (0.85)	14.58 (1.36)	17.72 (1.65)		
ISPD3168	1	16.71 (1.55)	31 3/8" (797)	33 9/16" (853)	76 3/4" (1949)	10.96 (1.02)	16.71 (1.55)	19.93 (1.85)		
ISPD4168	2	21.87 (2.03)	41" (1042)	45 1/2" (1156)	76 3/4" (1949)	11.67 (1.08)	21.87 (2.03)	26.50 (2.46)		
ISPD4168	1	10.52 (0.98)	19 3/4" (501)	21 15/16" (558)	76 3/4" (1949)	11.67 (1.08)	10.52 (0.98)	26.50 (2.46)		
ISPD5068	2	27.87 (2.59)	52 1/4" (1328)	56 3/4" (1441)	76 3/4" (1949)	16.63 (1.55)	27.87 (2.59)	32.71 (3.04)		
ISPD5068	1	13.52 (1.26)	25 3/8" (644)	27 9/16" (701)	76 3/4" (1949)	16.63 (1.55)	13.52 (1.26)	32.71 (3.04)		
ISPD5468	2	30.00 (2.79)	56 1/4" (1430)	60 3/4" (1543)	76 3/4" (1949)	18.39 (1.71)	30.00 (2.79)	34.92 (3.24)		
ISPD5468	1	14.58 (1.36)	27 3/8" (695)	29 9/16" (752)	76 3/4" (1949)	18.39 (1.71)	14.58 (1.36)	34.92 (3.24)		
ISPD6068	2	34.26 (3.18)	64 1/4" (1633)	68 3/4" (1746)	76 3/4" (1949)	21.92 (2.04)	34.26 (3.18)	39.34 (3.65)		
ISPD6068	1	16.71 (1.55)	31 3/8" (797)	33 9/16" (853)	76 3/4" (1949)	21.92 (2.04)	16.71 (1.55)	39.34 (3.65)		
ISPD27611	1	14.02 (1.30)	25 3/8" (644)	27 9/16" (701)	79 5/8" (2022)	8.69 (0.81)	14.02 (1.30)	17.21 (1.60)		
ISPD29611	1	15.13 (1.41)	27 3/8" (695)	29 9/16" (752)	79 5/8" (2022)	9.61 (0.89)	15.13 (1.41)	18.36 (1.71)		
ISPD31611	1	17.34 (1.61)	31 3/8" (797)	33 9/16" (853)	79 5/8" (2022)	11.45 (1.06)	17.34 (1.61)	20.65 (1.92)		
ISPD33611**	1	18.68 (1.74)	33 3/8" (847)	35 9/16" (904)	80 5/8" (2048)	11.45 (1.06)	18.68 (1.74)	21.79 (2.03)		
ISPD41611	2	22.69 (2.11)	41" (1042)	45 1/8" (1156)	79 5/8" (2022)	12.20 (1.13)	22.69 (2.11)	27.46 (2.55)		
ISPD41611	1	10.91 (2.01)	19 3/4" (501)	21 15/16" (558)	79 5/8" (2022)	12.20 (1.13)	10.91 (1.01)	27.46 (2.55)		
ISPD50611	2	28.90 (2.69)	52 1/4" (1328)	56 3/4" (1441)	79 5/8" (2022)	17.38 (1.62)	28.91 (2.69)	33.89 (3.15)		
ISPD50611	1	14.02 (1.30)	25 3/8" (644)	27 9/16" (701)	79 5/8" (2022)	17.38 (1.62)	14.02 (1.30)	33.89 (3.15)		
ISPD54611	2	31.12 (2.89)	56 1/4" (1430)	60 3/4" (1543)	79 5/8" (2022)	19.23 (1.79)	31.12 (2.89)	36.18 (3.36)		
ISPD54611	1	15.13 (1.41)	27 3/8" (695)	29 9/16" (752)	79 5/8" (2022)	19.23 (1.79)	15.13 (1.41)	36.18 (3.36)		
ISPD60611	2	35.55 (3.30)	64 1/4" (1633)	68 3/4" (1746)	79 5/8" (2022)	22.91 (2.13)	35.55 (3.30)	40.76 (3.79)		
ISPD60611	1	17.34 (1.61)	31 3/8" (797)	33 9/16" (853)	79 5/8" (2022)	22.91 (2.13)	17.34 (1.61)	40.76 (3.79)		
ISPD2776	1	15.28 (1.42)	25 3/8" (644)	27 9/16" (701)	86 3/4" (2203)	9.63 (0.89)	15.28 (1.42)	18.70 (1.74)		
ISPD2976	1	16.48 (1.53)	27 3/8" (695)	29 9/16" (752)	86 3/4" (2203)	10.65 (0.99)	16.48 (1.53)	19.95 (1.85)		
ISPD3176	1	18.89 (1.76)	31 3/8" (797)	33 9/16" (853)	86 3/4" (2203)	12.69 (1.18)	18.89 (1.76)	22.43 (2.08)		
ISPD3376**	1	20.33 (1.89)	33 3/8" (847)	35 9/16" (904)	87 3/4" (2229)	12.69 (1.18)	20.33 (1.89)	23.68 (2.20)		
ISPD4176	2	24.72 (2.29)	41" (1042)	45 1/8" (1156)	86 3/4" (2203)	13.51 (1.26)	24.72 (2.30)	29.83 (2.77)		
ISPD4176	1	11.89 (1.11)	19 3/4" (501)	21 15/16" (558)	86 3/4" (2203)	13.51 (1.26)	11.89 (1.11)	29.83 (2.77)		
ISPD5076	2	31.50 (2.93)	52 1/4" (1328)	56 3/4" (1441)	86 3/4" (2203)	19.25 (1.79)	31.50 (2.93)	36.83 (3.42)		
ISPD5076	1	15.28 (1.42)	25 3/8" (644)	27 9/16" (701)	86 3/4" (2203)	19.25 (1.79)	15.28 (1.42)	36.83 (3.42)		
ISPD5476	2	33.91 (3.15)	56 1/4" (1430)	60 3/4" (1543)	86 3/4" (2203)	21.29 (1.98)	33.91 (3.15)	39.31 (3.65)		
ISPD5476	1	16.48 (1.53)	27 3/8" (695)	29 9/16" (752)	86 3/4" (2203)	21.29 (1.98)	16.48 (1.53)	39.31 (3.65)		
ISPD6076	2	38.73 (3.60)	64 3/8" (1633)	68 3/4" (1746)	86 3/4" (2203)	25.37 (2.36)	38.73 (3.60)	44.28 (4.11)		
ISPD6076	1	18.89 (1.76)	31 3/8" (797)	33 9/16" (853)	86 3/4" (2203)	25.37 (2.36)	18.90 (1.76)	44.28 (4.11)		
ISPD2780	1	16.33 (1.52)	25 3/8" (644)	27 9/16" (701)	92 3/4" (2356)	10.41 (0.97)	16.33 (1.52)	19.96 (1.85)		
ISPD2980	1	17.62 (1.64)	27 3/8" (695)	29 9/16" (752)	92 3/4" (2356)	11.52 (1.07)	17.62 (1.64)	21.29 (1.98)		
ISPD3180	1	20.20 (1.88)	31 3/8" (797)	33 9/16" (853)	92 3/4" (2356)	13.72 (1.28)	20.20 (1.88)	23.94 (2.22)		
ISPD3380**	1	21.72 (2.02)	33 3/8" (847)	35 9/16" (904)	93 3/4" (2381)	13.72 (1.28)	21.72 (2.02)	25.26 (2.35)		
ISPD4180	2	26.43 (2.46)	41" (1042)	45 1/8" (1156)	92 3/4" (2356)	14.62 (1.36)	26.43 (2.46)	31.83 (2.96)		
ISPD4180	1	12.71 (1.18)	19 3/4" (501)	21 15/16" (558)	92 3/4" (2356)	14.62 (1.36)	12.71 (1.18)	31.83 (2.96)		
ISPD5080	2	33.68 (3.13)	52 1/4" (1328)	56 3/4" (1441)	92 3/4" (2356)	20.82 (1.94)	33.68 (3.13)	39.29 (3.65)		
ISPD5080	1	16.33 (1.52)	25 3/8" (644)	27 9/16" (701)	92 3/4" (2356)	20.82 (1.94)	16.33 (1.52)	39.29 (3.65)		
ISPD5480	2	36.25 (3.37)	56 1/4" (1430)	60 3/4" (1543)	92 3/4" (2356)	23.03 (2.14)	36.25 (3.37)	41.95 (3.90)		
ISPD5480	1	17.62 (1.64)	27 3/8" (695)	29 9/16" (752)	92 3/4" (2356)	23.03 (2.14)	17.62 (1.64)	41.95 (3.90)		
ISPD6080	2	41.40 (3.85)	64 1/4" (1633)	68 3/4" (1746)	92 3/4" (2356)	27.44 (2.55)	41.40 (3.85)	47.25 (4.39)		
ISPD6080	1	20.20 (1.88)	31 3/8" (797)	33 9/16" (853)	92 3/4" (2356)	27.44 (2.55)	20.20 (1.88)	47.25 (4.39)		

* Dimensions in parentheses are in millimeters or square meters.

**For two-panel AP/PA doors with only one panel open, clear opening is based on the active panel open and the passive panel closed.

***For easier access, a special option is available that offers a 32" (813) clear opening width at 90° and a 1/2" (13) threshold. Contact your Andersen® supplier for availability.

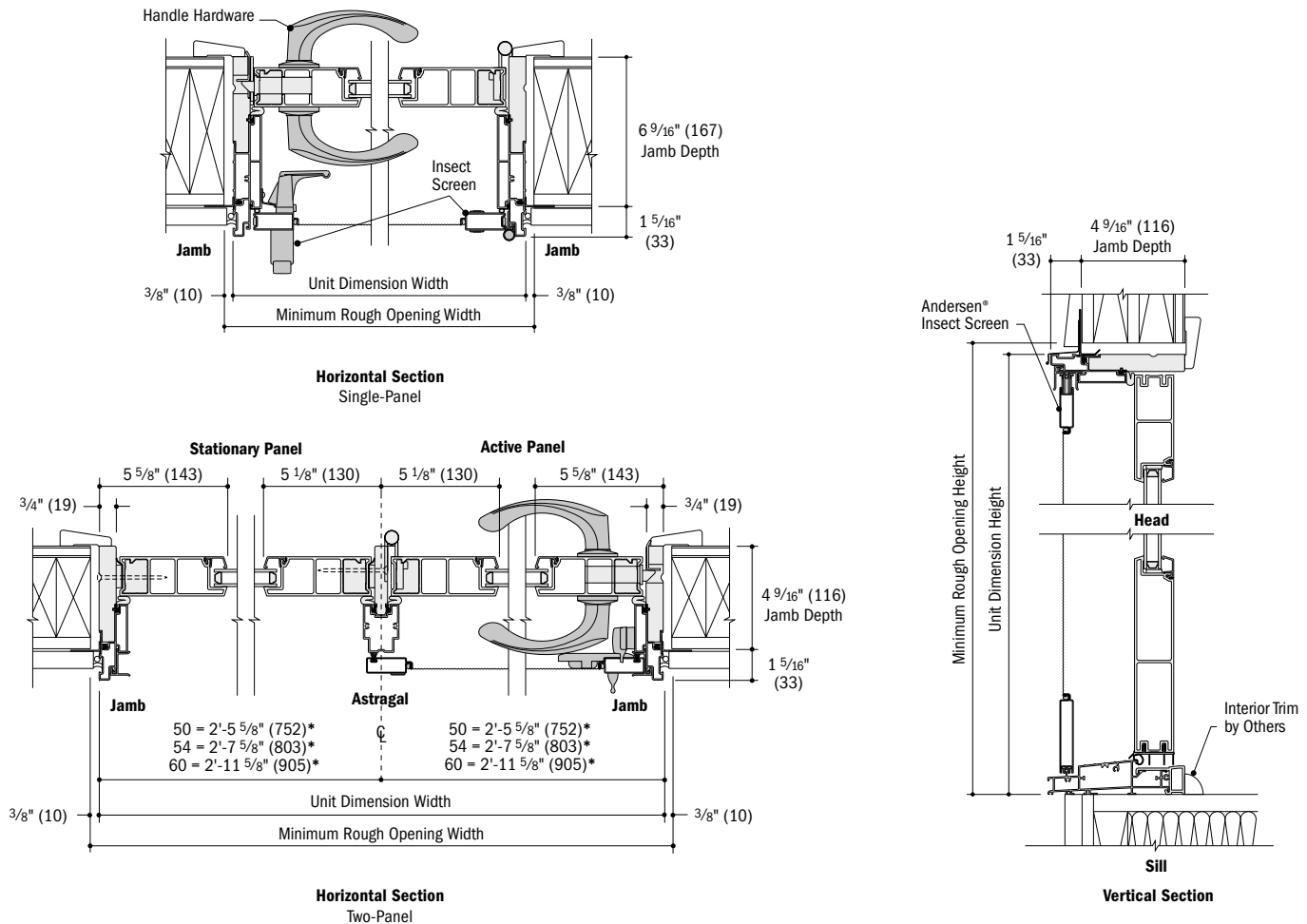
Grille Patterns

	Prairie A	Colonial	Modified Colonial	Modified Colonial SCR (Simulated Check Rail)	Tall Fractional	Tall Fractional SCR (Simulated Check Rail)	Short Fractional	Short Fractional SCR (Simulated Check Rail)
Hinged Inswing Patio Doors								

Number of lights and overall pattern varies with panel size. Patterns are not available in all configurations. Specified equal light and custom patterns are also available. For more information on divided light, see page 11 or visit andersenwindows.com/grilles.

200 Series
Hinged Patio Doors –
Inswing

Hinged Inswing Patio Door Details – 4 9/16" (116) and 6 9/16" (167) Jamb Depth
Scale 1 1/2" (38) = 1'-0" (305) – 1:8

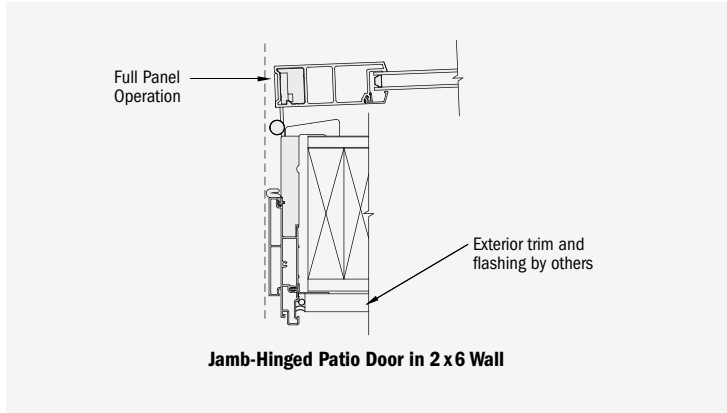
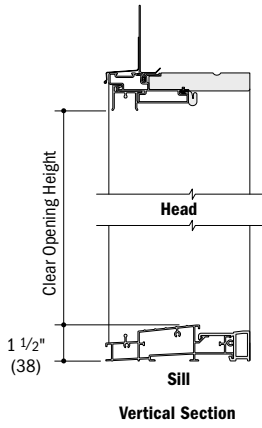
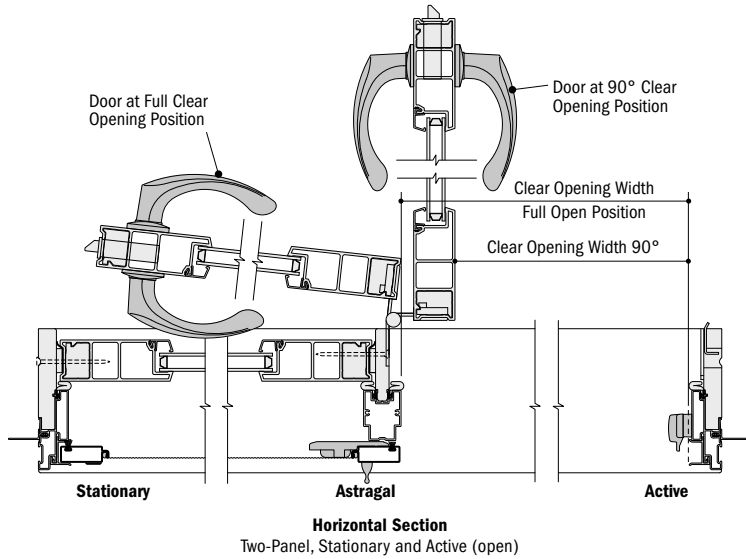


- 4 9/16" (116) and 6 9/16" (167) jamb depth measurements are from backside of installation flange.
- Light-colored areas are parts included with door. Dark-colored areas are additional Andersen® parts required to complete door assembly as shown.
- **Rough openings may need to be increased to allow for use of building wraps, flashing, sill panning, brackets, fasteners or other items. See installation information on pages 288-289.**
- Details are for illustration only and are not intended to represent product installation methods or materials. Refer to product installation guides at andersenwindows.com.
- Dimensions in parentheses are in millimeters.
- *Dimensions indicate location of astragal centerline.

HINGED PATIO DOORS – INSWING

Clear Opening Details

Scale 1 1/2" (38) = 1'-0" (305) – 1:8



Vertical Joining Detail – LVL

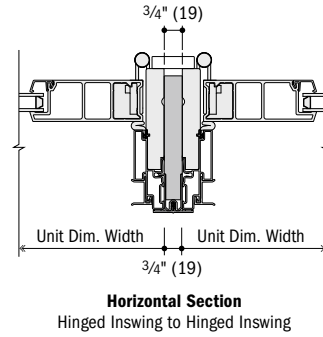
Scale 1 1/2" (38) = 1'-0" (305) – 1:8

Overall Door Dimension Width

Sum of individual door widths
plus 3/4" (19) for each join.

Overall Rough Opening Width

Overall door width plus 3/4" (19).

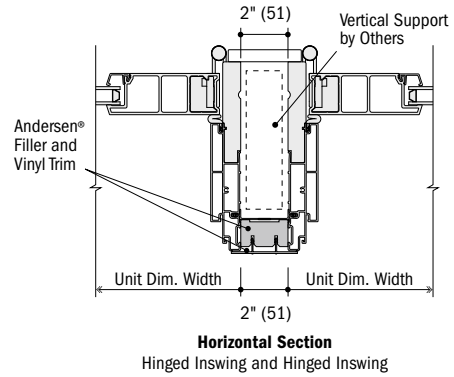


For more joining information, see the combination designs section starting on page 255.

Separate Rough Openings Detail

Scale 1 1/2" (38) = 1'-0" (305) – 1:8

To meet structural requirements or to achieve a wider joined appearance, doors may be installed into separate rough openings having vertical support (by others) in combination with Andersen® exterior filler and exterior vinyl trim.



- Light-colored areas are parts included with door. Dark-colored areas are additional Andersen® parts required to complete door assembly as shown.
- **Rough openings may need to be increased to allow for use of building wraps, flashing, sill panning, brackets, fasteners or other items. See installation information on pages 288-289.**
- Details are for illustration only and are not intended to represent product installation methods or materials. Refer to product installation guides at andersenwindows.com.
- Andersen recommends installation of doors into separate rough openings. Consult with an architect or structural engineer regarding minimum requirements for structural support members between adjacent rough openings.
- Dimensions in parentheses are in millimeters.

Andersen[®] windows and patio doors make it easy to create a wide variety of combination designs.

Combination Types

Ribbons

Ribbons are horizontal window combinations (vertical joins) where opposite ends (head and sill) of individual windows are fastened to the building structure.

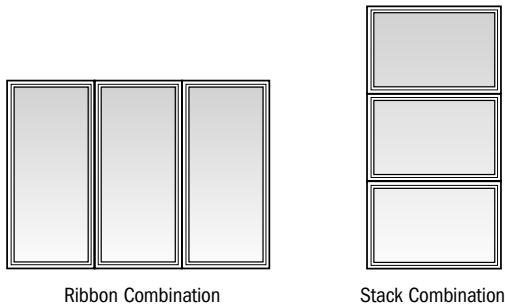
Stacks

Stacks are vertical window combinations (horizontal joins) where opposite sides (both side jambs) of individual windows are fastened to the building structure.

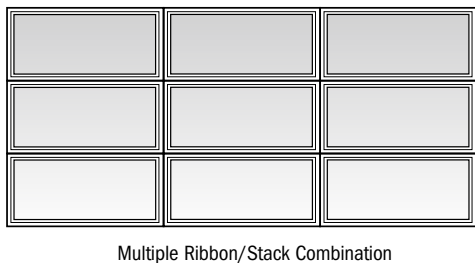
Two basic configurations are used in combination designs:

1-way configurations or 2-way configurations.

1-Way



2-Way



2-way combinations exist when multiple vertical stacks and horizontal ribbons are joined together. Unlike 1-way combinations, the adjacent sides (head and sill, or both side jambs) of individual units are not necessarily fastened directly to the building structure. 2-way combinations are joined with both vertical and horizontal joining material and may require reinforced joining materials and brackets depending on the local building code requirement for design wind load (measured in pounds per square foot, PSF).

Determining Design Wind Load Performance

Proper combination design in conformance with local wind load requirements is vital to the success of your project. To make sure a combination is safe and that it complies with local building codes, the combination design wind load performance capacity must be determined.

Correctly determining this performance capacity involves the following three steps:

STEP 1

Determine Building Code Requirement

Make sure that you have the proper local codes and have identified specified compliance values. This calculated value (PSF) will be used to determine if the combination will be acceptable (STEP 3).



STEP 2

Determine Product Performance

Compare product Design Pressure Rating data to the local building code (PSF) requirement. This will show whether the individual units in a combination design are acceptable.



STEP 3

Determine Combination Performance

This step helps determine whether a given product, size, configuration and joining material type will meet the local building code design wind load requirement. To determine what joining material type to use (LVL, steel, aluminum or wood), compare the local building code design wind load requirement to the Design Wind Load Table value for a particular joining material on the following pages.

COMBINATION DESIGNS

Andersen® Joining Materials and Installation Accessories

For a successful installation, designed to provide the required design pressure, it is important that Andersen joining materials and installation accessories be specified by a project architect or contractor. Andersen offers several types of joining materials. Each creates a joining system that maintains the look of Andersen® products. Choose the type appropriate for your combination design.

The addition of joining materials will affect the overall rough opening dimension, see page 288. **Instruction guides are available at andersenwindows.com. Read and follow instruction guides in their entirety.**

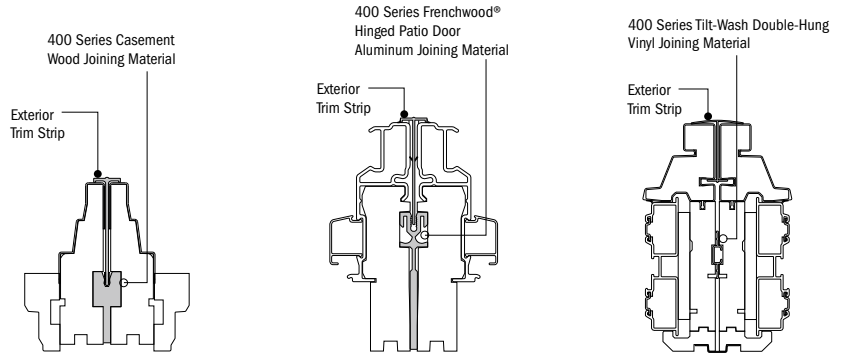
Andersen Exterior Trim Strips - A variety of trim strips for finishing the join between joined products are available in colors to match Andersen windows and doors.

Andersen Interior Wood Casings - Available in several wood types, pre-finished options, sizes and style options including laminated arch casings, decorative plinths and key blocks.

Components used with each joining system will vary depending on products being joined. Check with your Andersen supplier for more information.

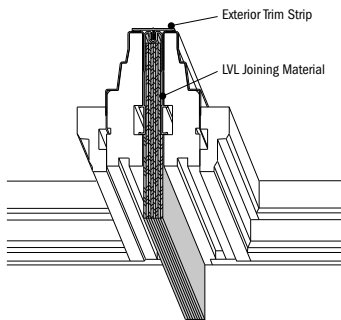
Materials vary depending on type of units being joined and wind load requirements.

Non-reinforced joining materials are used to create alignment and positive joining between windows. Joining materials are not connected to the rough opening structure. Non-reinforced joins can also be achieved using accessory items such as v-notch gusset plates. Please contact your Andersen supplier for specific performance and product recommendations.



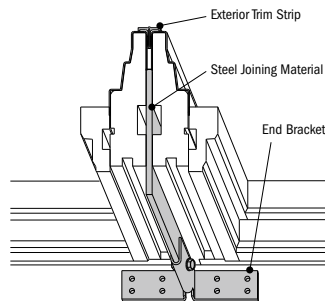
Reinforced joining materials are used to create product alignment, positive joining and load transfer between the Andersen windows and doors and the rough opening. They provide added strength capable of withstanding a variety of wind load pressures. The structural performance of any combination is only as high as the lowest structural performance rating of any individual window or joining material in the combination.

Laminated Veneer Lumber (LVL) Joining Material



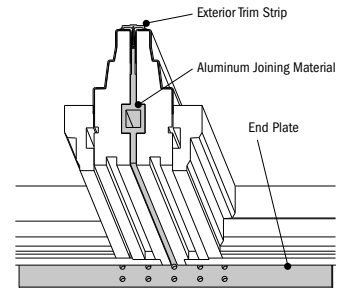
LVL joining material is available for both windows and patio doors. Both 4 9/16" (116) x 3/4" (19) LVL and 6 9/16" (167) x 3/4" (19) LVL are available and include an aluminum exterior trim retainer. LVL materials are available in a variety of lengths up to 10' (3048). Use with casement, awning, double-hung and select specialty windows and patio doors.

Steel Joining Material



Available in 8'-0 1/4" (2445), 9'-6" (2896) and 12'-6" (3810) lengths. Treated for corrosion resistance, the 4" (102) width material provides strength and rigidity. Adjacent windows attach to the steel joining with screws provided in the kit. Use with casement, awning, double-hung and select specialty windows.

Aluminum Joining Material



Available in 6'-0 3/32" (1831) and 7'-8" (2337) lengths. High-quality aluminum provides increased stiffness and is anodized for corrosion resistance. Aluminum joining stays within the basic jamb of the window so interior casing can be used without extension jambs. Adjacent windows attach to the aluminum joining with screws provided in the kit. Use with casement, awning and select specialty windows.

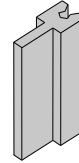
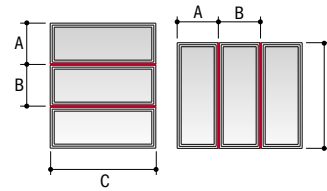
• Dimensions in parentheses are in millimeters.
• Structural performance of any combination is only as high as the lowest structural performance of any individual unit or joining material in the combination.

Windows - Casement & Awning

1-Way Wood Joining

400 Series: Casement, Awning, Complementary Specialty Joined with Flexiframe® Windows

Average Adjacent Window Dimension	(A + B) + 2 = 12'-6" (3810)	70	58	40	29	22					
	(A + B) + 2 = 12'-0" (3658)	70	58	40	29	22					
	(A + B) + 2 = 11'-6" (3505)	70	58	40	29	22					
	(A + B) + 2 = 11'-0" (3353)	70	58	40	29	22					
	(A + B) + 2 = 10'-6" (3200)	70	58	40	29	22					
	(A + B) + 2 = 10'-0" (3048)	70	58	40	29	22					
	(A + B) + 2 = 9'-6" (2896)	70	58	40	29	22					
	(A + B) + 2 = 9'-0" (2743)	70	58	40	29	22					
	(A + B) + 2 = 8'-6" (2591)	70	58	40	29	22					
	(A + B) + 2 = 8'-0" (2438)	70	58	40	29	22					
	(A + B) + 2 = 7'-6" (2286)	70	58	40	29	22					
	(A + B) + 2 = 7'-0" (2134)	70	58	40	29	22					
	(A + B) + 2 = 6'-6" (1981)	70	58	40	29	22					
	(A + B) + 2 = 6'-0" (1829)	70	58	40	29	22					
	(A + B) + 2 = 5'-6" (1676)	70	58	40	29	22					
	(A + B) + 2 = 5'-0" (1524)	70	58	40	29	22					
	(A + B) + 2 = 4'-6" (1372)	70	58	40	30	23					
	(A + B) + 2 = 4'-0" (1219)	70	58	41	31	24	20				
	(A + B) + 2 = 3'-6" (1067)	70	59	43	33	27	22				
	(A + B) + 2 = 3'-0" (914)	70	63	47	37	30	25	21			
(A + B) + 2 = 2'-6" (762)	70	70	54	43	35	29	24	21			
(A + B) + 2 = 2'-0" (610)	70	70	65	52	42	35	30	26	22		
(A + B) + 2 = 1'-6" (457)	70	70	70	68	56	46	39	34	29	26	
C = (length of join)	3'-6" (1067)	4'-0" (1219)	4'-6" (1372)	5'-0" (1524)	5'-6" (1676)	6'-0" (1829)	6'-6" (1981)	7'-0" (2134)	7'-6" (2286)	8'-0" (2438)	



Wood Joining Material

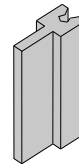
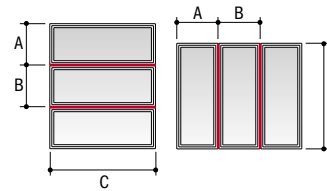
Note: Stacking of windows is allowed to a maximum height of 12'-6" (3810). Contact your Andersen supplier for information about taller combination heights.

Combination Design, Product Performance, Installation & Warranty

1-Way Wood Joining

400 Series: Casement, Awning, Complementary Specialty Windows

Average Adjacent Window Dimension	(A + B) + 2 = 12'-6" (3810)	70	70	58	42	32	24	20			
	(A + B) + 2 = 12'-0" (3658)	70	70	58	42	32	24	20			
	(A + B) + 2 = 11'-6" (3505)	70	70	58	42	32	24	20			
	(A + B) + 2 = 11'-0" (3353)	70	70	58	42	32	24	20			
	(A + B) + 2 = 10'-6" (3200)	70	70	58	42	32	24	20			
	(A + B) + 2 = 10'-0" (3048)	70	70	58	42	32	24	20			
	(A + B) + 2 = 9'-6" (2896)	70	70	58	42	32	24	20			
	(A + B) + 2 = 9'-0" (2743)	70	70	58	42	32	24	20			
	(A + B) + 2 = 8'-6" (2591)	70	70	58	42	32	24	20			
	(A + B) + 2 = 8'-0" (2438)	70	70	58	42	32	24	20			
	(A + B) + 2 = 7'-6" (2286)	70	70	58	42	32	24	20			
	(A + B) + 2 = 7'-0" (2134)	70	70	58	42	32	24	20			
	(A + B) + 2 = 6'-6" (1981)	70	70	58	42	32	24	20			
	(A + B) + 2 = 6'-0" (1829)	70	70	58	42	32	24	20			
	(A + B) + 2 = 5'-6" (1676)	70	70	58	42	32	25	20			
	(A + B) + 2 = 5'-0" (1524)	70	70	58	42	32	25	21			
	(A + B) + 2 = 4'-6" (1372)	70	70	58	43	33	27	22			
	(A + B) + 2 = 4'-0" (1219)	70	70	59	45	35	29	24	20		
	(A + B) + 2 = 3'-6" (1067)	70	70	63	48	38	31	26	22		
	(A + B) + 2 = 3'-0" (914)	70	70	68	54	43	36	30	25	22	
(A + B) + 2 = 2'-6" (762)	70	70	70	62	50	42	35	30	26	22	
(A + B) + 2 = 2'-0" (610)	70	70	70	70	61	51	43	37	32	27	
(A + B) + 2 = 1'-6" (457)	70	70	70	70	70	67	57	49	42	35	
C = (length of join)	3'-6" (1067)	4'-0" (1219)	4'-6" (1372)	5'-0" (1524)	5'-6" (1676)	6'-0" (1829)	6'-6" (1981)	7'-0" (2134)	7'-6" (2286)	8'-0" (2438)	



Wood Joining Material

Note: Stacking of windows is allowed to a maximum height of 12'-6" (3810). Contact your Andersen supplier for information about taller combination heights.

- Numerical values in charts represent structural pressure only.
- Dimensions in parentheses are in millimeters.
- Structural performance of any combination is only as high as the lowest structural performance of any individual unit or joining material in the combination.
- Andersen® products must be installed and anchored properly according to joining and installation guides to meet rated structural performance. Refer to product joining and installation guides at andersenwindows.com.
- Additional windload tables are available at andersenwindows.com.

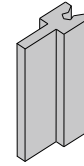
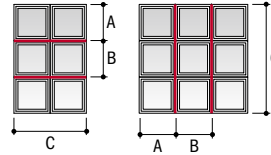
COMBINATION DESIGNS

Windows - Casement & Awning

2-Way Wood Joining

400 Series: Casement, Awning, Complementary Specialty, Flexiframe® Windows

Average Adjacent Window Dimension	(A + B) ÷ 2 = 8'-6" (2591)	20									
	(A + B) ÷ 2 = 8'-0" (2438)	21									
	(A + B) ÷ 2 = 7'-6" (2286)	23									
	(A + B) ÷ 2 = 7'-0" (2134)	24									
	(A + B) ÷ 2 = 6'-6" (1981)	26	20								
	(A + B) ÷ 2 = 6'-0" (1829)	28	22								
	(A + B) ÷ 2 = 5'-6" (1676)	31	24								
	(A + B) ÷ 2 = 5'-0" (1524)	34	26	20							
	(A + B) ÷ 2 = 4'-6" (1372)	38	29	23							
	(A + B) ÷ 2 = 4'-0" (1219)	43	33	26	21						
	(A + B) ÷ 2 = 3'-6" (1067)	49	37	29	24						
	(A + B) ÷ 2 = 3'-0" (914)	57	44	34	28	23					
	(A + B) ÷ 2 = 2'-6" (762)	69	52	41	33	27	23				
	(A + B) ÷ 2 = 2'-0" (610)	70	66	52	42	34	29	23			
(A + B) ÷ 2 = 1'-6" (457)	70	70	69	56	46	39	31	24	20		
C = (length of join)	3'-6" (1067)	4'-0" (1219)	4'-6" (1372)	5'-0" (1524)	5'-6" (1676)	6'-0" (1829)	6'-6" (1981)	7'-0" (2134)	7'-6" (2286)		

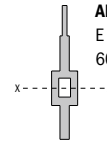
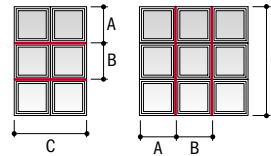


Wood Joining Material

1-Way or 2-Way Aluminum Joining

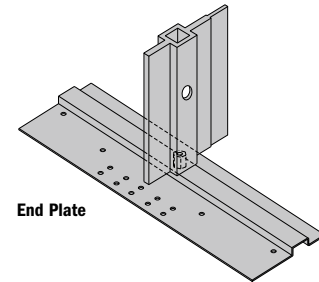
400 Series: Casement, Awning, Complementary Specialty, Flexiframe® Windows

Average Adjacent Window Dimension	(A + B) ÷ 2 = 9'-0" (2743)	70	56	41	31	23				
	(A + B) ÷ 2 = 8'-6" (2591)	70	60	43	32	25				
	(A + B) ÷ 2 = 8'-0" (2438)	70	63	46	34	26	21			
	(A + B) ÷ 2 = 7'-6" (2286)	70	67	49	36	28	22			
	(A + B) ÷ 2 = 7'-0" (2134)	70	70	52	39	30	23			
	(A + B) ÷ 2 = 6'-6" (1981)	70	70	56	42	32	25	20		
	(A + B) ÷ 2 = 6'-0" (1829)	70	70	60	45	35	27	21		
	(A + B) ÷ 2 = 5'-6" (1676)	70	70	66	49	38	29	23		
	(A + B) ÷ 2 = 5'-0" (1524)	70	70	70	54	41	32	26	21	
	(A + B) ÷ 2 = 4'-6" (1372)	70	70	70	59	45	35	28	23	
	(A + B) ÷ 2 = 4'-0" (1219)	70	70	70	66	50	39	31	25	
	(A + B) ÷ 2 = 3'-6" (1067)	70	70	70	70	57	44	35	28	
	(A + B) ÷ 2 = 3'-0" (914)	70	70	70	70	65	51	40	33	
	(A + B) ÷ 2 = 2'-6" (762)	70	70	70	70	70	60	48	39	
(A + B) ÷ 2 = 2'-0" (610)	70	70	70	70	70	70	59	48		
(A + B) ÷ 2 = 1'-6" (457)	70	70	70	70	70	70	70	63		
C = (length of join)	4'-0" (1219)	4'-6" (1372)	5'-0" (1524)	5'-6" (1676)	6'-0" (1829)	6'-6" (1981)	7'-0" (2134)	7'-6" (2286)		

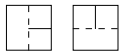


Aluminum Joining Material

E = 10 x 10⁶ psi, I (AXIS x - x) = .59 in⁴
6061-T6 Aluminum



End Plate



For a join with a continuous jamb on one side, multiply PSF by 1.2.



For a join with a continuous jamb on both sides, multiply PSF by 1.4.

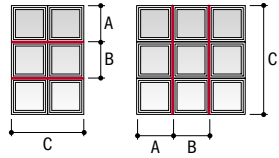
- Numerical values in charts represent structural pressure only.
- Dimensions in parentheses are in millimeters.
- Structural performance of any combination is only as high as the lowest structural performance of any individual unit or joining material in the combination.
- Andersen® products must be installed and anchored properly according to joining and installation guides to meet rated structural performance. Refer to product joining and installation guides at andersenwindows.com.
- Additional windload tables are available at andersenwindows.com.

Windows – Casement & Awning

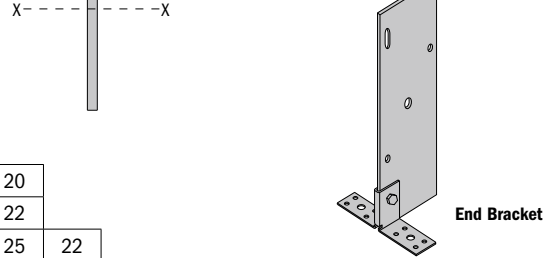
1-Way or 2-Way Steel Joining

400 Series: Casement, Awning, Complementary Specialty, Flexiframe® Windows

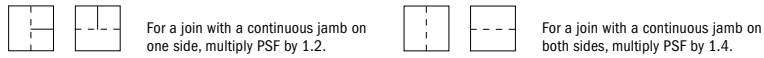
(A + B) ÷ 2 = 12'-6" (3810)	50	37	28	22																		
(A + B) ÷ 2 = 12'-0" (3658)	52	38	29	23																		
(A + B) ÷ 2 = 11'-6" (3505)	54	40	30	24																		
(A + B) ÷ 2 = 11'-0" (3353)	57	42	32	25	20																	
(A + B) ÷ 2 = 10'-6" (3200)	59	44	33	26	21																	
(A + B) ÷ 2 = 10'-0" (3048)	62	46	35	28	22																	
(A + B) ÷ 2 = 9'-6" (2896)	66	48	37	29	24																	
(A + B) ÷ 2 = 9'-0" (2743)	69	51	39	31	25	21																
(A + B) ÷ 2 = 8'-6" (2591)	70	54	41	33	26	22																
(A + B) ÷ 2 = 8'-0" (2438)	70	57	44	35	28	23																
(A + B) ÷ 2 = 7'-6" (2286)	70	61	47	37	30	25	21															
(A + B) ÷ 2 = 7'-0" (2134)	70	66	50	40	32	26	22															
(A + B) ÷ 2 = 6'-6" (1981)	70	70	54	43	34	28	24	20														
(A + B) ÷ 2 = 6'-0" (1829)	70	70	58	46	37	31	26	22														
(A + B) ÷ 2 = 5'-6" (1676)	70	70	64	50	41	34	28	24	21													
(A + B) ÷ 2 = 5'-0" (1524)	70	70	70	55	45	37	31	27	23	20												
(A + B) ÷ 2 = 4'-6" (1372)	70	70	70	62	50	41	35	30	26	22												
(A + B) ÷ 2 = 4'-0" (1219)	70	70	70	69	56	46	39	33	29	25	22											
(A + B) ÷ 2 = 3'-6" (1067)	70	70	70	70	64	53	45	38	33	28	25	22										
(A + B) ÷ 2 = 3'-0" (914)	70	70	70	70	70	62	52	44	38	33	29	26	23	21								
(A + B) ÷ 2 = 2'-6" (762)	70	70	70	70	70	70	62	53	46	40	35	31	28	25	22	20						
(A + B) ÷ 2 = 2'-0" (610)	70	70	70	70	70	70	70	66	57	50	44	39	35	31	28	26	23	21				
(A + B) ÷ 2 = 1'-6" (457)	70	70	70	70	70	70	70	70	70	66	58	52	46	42	37	34	31	28	25	24		
C = (length of join)	3'-0" (914)	3'-6" (1067)	4'-0" (1219)	4'-6" (1372)	5'-0" (1524)	5'-6" (1676)	6'-0" (1829)	6'-6" (1981)	7'-0" (2134)	7'-6" (2286)	8'-0" (2438)	8'-6" (2591)	9'-0" (2743)	9'-6" (2896)	10'-0" (3048)	10'-6" (3200)	11'-0" (3353)	11'-6" (3505)	12'-0" (3658)	12'-6" (3810)		



4" (102) x 3/16" (5) Steel Joining Material
 E = 29 x 10⁶ psi, I (AXIS x - x) = 1.0 in⁴
 A36 hot rolled steel



Combination Design,
 Product Performance,
 Installation & Warranty



- Numerical values in charts represent structural pressure only.
- Dimensions in parentheses are in millimeters.
- Structural performance of any combination is only as high as the lowest structural performance of any individual unit or joining material in the combination.
- Andersen® products must be installed and anchored properly according to joining and installation guides to meet rated structural performance. Refer to product joining and installation guides at andersenwindows.com.
- Additional windload tables are available at andersenwindows.com.

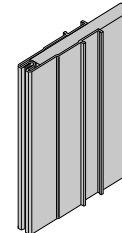
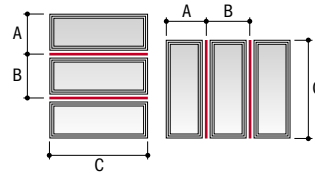
COMBINATION DESIGNS

Windows - Casement & Awning

1-Way LVL Joining

400 Series: Casement, Awning, Complementary Specialty, Flexiframe® Windows

4 9/16" (116) LVL	Average Adjacent Window Dim.	(A + B) ÷ 2 = 6'-0" (1829)	70	70	56	45				
		(A + B) ÷ 2 = 5'-6" (1676)	70	70	61	50				
		(A + B) ÷ 2 = 5'-0" (1524)	70	70	68	55	45	36		
		(A + B) ÷ 2 = 4'-6" (1372)	70	70	70	61	51	43	37	
		(A + B) ÷ 2 = 4'-0" (1219)	70	70	70	70	58	49	42	35
		(A + B) ÷ 2 = 3'-6" (1067)	70	70	70	70	68	56	49	39
		(A + B) ÷ 2 = 3'-0" (914)	70	70	70	70	70	63	53	45
		(A + B) ÷ 2 = 2'-6" (762)	70	70	70	70	70	70	62	53
		(A + B) ÷ 2 = 2'-0" (610)	70	70	70	70	70	70	62	53
		(A + B) ÷ 2 = 1'-6" (457)	70	70	70	70	70	70	62	53
C = (length of join)		3'-6" (1067)	4'-0" (1219)	4'-6" (1372)	5'-0" (1524)	5'-6" (1676)	6'-0" (1829)	6'-6" (1981)	7'-0" (2134)	

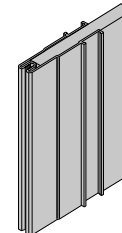
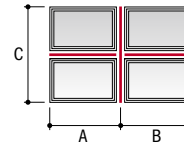


4 9/16" (116) x 3/4" (19) LVL Joining Material

2-Way LVL Joining

400 Series: Casement, Awning, Complementary Specialty, Flexiframe® Windows

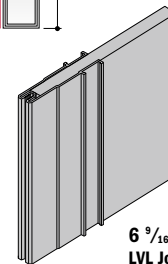
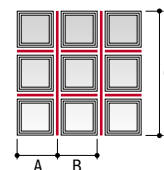
4 9/16" (116) LVL	Average Adjacent Window Dim.	(A + B) ÷ 2 = 6'-0" (1829)	65	65	51	41				
		(A + B) ÷ 2 = 5'-6" (1676)	70	70	56	45				
		(A + B) ÷ 2 = 5'-0" (1524)	70	70	62	50	41	34		
		(A + B) ÷ 2 = 4'-6" (1372)	70	70	68	55	46	38	33	
		(A + B) ÷ 2 = 4'-0" (1219)	70	70	70	62	51	43	37	32
		(A + B) ÷ 2 = 3'-6" (1067)	70	70	70	70	59	49	42	36
		(A + B) ÷ 2 = 3'-0" (914)	70	70	70	70	69	58	49	42
		(A + B) ÷ 2 = 2'-6" (762)	70	70	70	70	70	69	59	51
		(A + B) ÷ 2 = 2'-0" (610)	70	70	70	70	61	69	59	51
		(A + B) ÷ 2 = 1'-6" (457)	70	70	70	70	61	69	59	51
C = (length of join)		3'-6" (1067)	4'-0" (1219)	4'-6" (1372)	5'-0" (1524)	5'-6" (1676)	6'-0" (1829)	6'-6" (1981)	7'-0" (2134)	



4 9/16" (116) x 3/4" (19) LVL Joining Material

6 9/16" (167) LVL

6 9/16" (167) LVL	Average Adjacent Window Dimension	(A + B) ÷ 2 = 10'-0" (3048)	70	70	63	56	48	44	37	31	24	
		(A + B) ÷ 2 = 9'-6" (2896)	70	70	63	56	48	44	37	31	24	
		(A + B) ÷ 2 = 9'-0" (2743)	70	70	63	56	48	44	37	31	24	
		(A + B) ÷ 2 = 8'-6" (2591)	70	70	63	56	48	44	37	31	25	
		(A + B) ÷ 2 = 8'-0" (2438)	70	70	63	56	48	44	37	31	25	
		(A + B) ÷ 2 = 7'-6" (2286)	70	70	63	56	48	44	38	32	26	
		(A + B) ÷ 2 = 7'-0" (2134)	70	70	63	56	49	45	39	33	26	
		(A + B) ÷ 2 = 6'-6" (1981)	70	70	63	57	50	46	40	34	28	
		(A + B) ÷ 2 = 6'-0" (1829)	70	70	64	58	51	47	41	35	29	
		(A + B) ÷ 2 = 5'-6" (1676)	70	70	66	60	54	50	44	37	30	
		(A + B) ÷ 2 = 5'-0" (1524)	70	70	68	63	56	52	46	39	32	
		(A + B) ÷ 2 = 4'-6" (1372)	70	70	70	67	60	56	50	43	35	
		(A + B) ÷ 2 = 4'-0" (1219)	70	70	70	70	64	60	53	46	38	
		(A + B) ÷ 2 = 3'-6" (1067)	70	70	70	70	70	67	60	52	42	
		(A + B) ÷ 2 = 3'-0" (914)	70	70	70	70	70	70	66	57	47	
		(A + B) ÷ 2 = 2'-6" (762)	70	70	70	70	70	70	70	68	56	
		(A + B) ÷ 2 = 2'-0" (610)	70	70	70	70	70	70	70	70	66	
		(A + B) ÷ 2 = 1'-6" (457)	70	70	70	70	70	70	70	70	70	
		C = (length of join)		6'-0" (1829) or less	6'-6" (1981)	7'-0" (2134)	7'-6" (2286)	8'-0" (2438)	8'-6" (2591)	9'-0" (2743)	9'-6" (2896)	10'-0" (3048)



6 9/16" (167) x 3/4" (19) LVL Joining Material

Note: 2-way joining must be assembled on the jobsite within the rough opening.

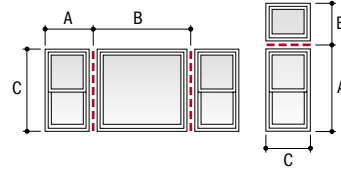
- Numerical values in charts represent structural pressure only.
- Dimensions in parentheses are in millimeters.
- Structural performance of any combination is only as high as the lowest structural performance of any individual unit or joining material in the combination.
- Andersen® products must be installed and anchored properly according to joining and installation guides to meet rated structural performance. Refer to product joining and installation guides at andersenwindows.com.
- Additional windload tables are available at andersenwindows.com.

Windows - 400 Series Double-Hung Insert

1-Way Joining with Installation Brackets

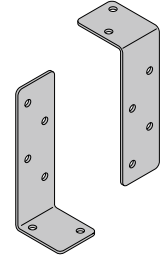
400 Series: Woodwright® Double-Hung, Picture and Transom Insert Windows, Tilt-Wash Double-Hung, Picture and Transom Insert Windows

(A + B) + 2 = 12'-0" (3658)	50	34	24	18																
(A + B) + 2 = 11'-0" (3353)	50	34	24	18																
(A + B) + 2 = 10'-0" (3048)	50	34	24	18																
(A + B) + 2 = 9'-0" (2743)	50	34	24	18																
(A + B) + 2 = 8'-0" (2438)	50	34	25	19	15															
(A + B) + 2 = 7'-0" (2134)	50	35	26	20	16															
(A + B) + 2 = 6'-0" (1829)	50	38	28	22	18	15														
(A + B) + 2 = 5'-0" (1524)	50	42	32	26	21	17														
(A + B) + 2 = 4'-0" (1219)	50	50	39	31	25	21	17													
(A + B) + 2 = 3'-0" (914)	50	50	50	40	33	28	23	18	15											
(A + B) + 2 = 2'-0" (610)	50	50	50	50	49	41	34	27	22											
C = (length of join)	3'-6" (1067) or less	4'-0" (1219)	4'-6" (1372)	5'-0" (1524)	5'-6" (1676)	6'-0" (1829)	6'-6" (1981)	7'-0" (2134)	7'-6" (2286)											



Note: Only 1-way combinations similar to those shown above are allowed.

Installation brackets should be used at the ends of each join to attach units to the opening.

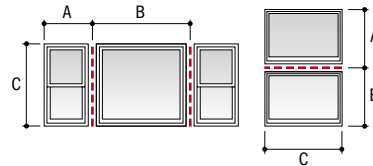


Windows - 400 Series Double-Hung Full-Frame

1-Way Vinyl Jamb-to-Jamb Joining

400 Series: Woodwright® Double-Hung, Picture and Transom Full-Frame Windows, Tilt-Wash Double-Hung, Picture and Transom Full-Frame Windows

(A + B) + 2 = 12'-6" (3810)	50	42	33	28	23	20															
(A + B) + 2 = 12'-0" (3658)	50	42	33	28	23	20															
(A + B) + 2 = 11'-6" (3505)	50	42	33	28	23	20															
(A + B) + 2 = 11'-0" (3353)	50	42	33	28	23	20															
(A + B) + 2 = 10'-6" (3200)	50	42	33	28	23	20															
(A + B) + 2 = 10'-0" (3048)	50	42	33	28	23	20															
(A + B) + 2 = 9'-6" (2896)	50	42	33	28	23	20															
(A + B) + 2 = 9'-0" (2743)	50	42	33	28	23	20															
(A + B) + 2 = 8'-6" (2591)	50	42	33	28	23	20															
(A + B) + 2 = 8'-0" (2438)	50	42	33	28	23	20															
(A + B) + 2 = 7'-6" (2286)	50	42	33	28	23	20															
(A + B) + 2 = 7'-0" (2134)	50	42	33	28	23	20															
(A + B) + 2 = 6'-6" (1981)	50	42	33	28	23	20															
(A + B) + 2 = 6'-0" (1829)	50	42	33	28	23	20															
(A + B) + 2 = 5'-6" (1676)	50	42	33	28	23	21															
(A + B) + 2 = 5'-0" (1524)	50	42	33	28	24	21															
(A + B) + 2 = 4'-6" (1372)	50	42	33	29	25	22	20														
(A + B) + 2 = 4'-0" (1219)	50	42	34	30	26	23	21														
(A + B) + 2 = 3'-6" (1067)	50	44	37	32	28	26	23	21													
(A + B) + 2 = 3'-0" (914)	50	47	39	35	30	28	25	23	21	20											
(A + B) + 2 = 2'-6" (762)	50	50	44	40	35	32	29	27	25	24	22	21									
(A + B) + 2 = 2'-0" (610)	50	50	50	46	41	37	34	32	29	27	25	24	23	22	20	20					
(A + B) + 2 = 1'-6" (457)	50	50	50	50	50	49	45	42	39	37	34	32	30	29	27	26	25	24			
C = (length of join)	4'-0" (1219) or less	4'-6" (1372)	5'-0" (1524)	5'-6" (1676)	6'-0" (1829)	6'-6" (1981)	7'-0" (2134)	7'-6" (2286)	8'-0" (2438)	8'-6" (2591)	9'-0" (2743)	9'-6" (2896)	10'-0" (3048)	10'-6" (3200)	11'-0" (3353)	11'-6" (3505)	12'-0" (3658)	12'-6" (3810)			



Note: Only 1-way combinations similar to those shown above are allowed.

- Numerical values in charts represent structural pressure only.
- Dimensions in parentheses are in millimeters.
- Structural performance of any combination is only as high as the lowest structural performance of any individual unit or joining material in the combination.
- Andersen® products must be installed and anchored properly according to joining and installation guides to meet rated structural performance. Refer to product joining and installation guides at andersenwindows.com.
- Additional windload tables are available at andersenwindows.com.

Combination Design,
Product Performance,
Installation & Warranty

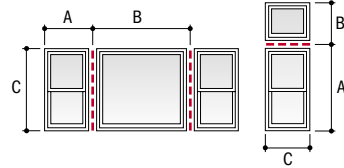
COMBINATION DESIGNS

Windows - 400 Series Double-Hung Full-Frame,

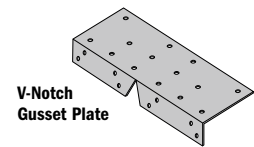
1-Way Vinyl Joining with V-Notch Gusset Plates

400 Series: Woodwright® Double-Hung, Picture and Transom Full-Frame Windows,
Tilt-Wash Double-Hung, Picture and Transom Full-Frame Windows

Average Adjacent Window Dimension	(A+B) ÷ 2 = 12'-6" (3810)	50	48	41	33	29	24	22										
	(A+B) ÷ 2 = 12'-0" (3658)	50	48	41	33	29	24	22										
	(A+B) ÷ 2 = 11'-6" (3505)	50	48	41	33	29	24	22										
	(A+B) ÷ 2 = 11'-0" (3353)	50	48	41	33	29	24	22										
	(A+B) ÷ 2 = 10'-6" (3200)	50	48	41	33	29	24	22										
	(A+B) ÷ 2 = 10'-0" (3048)	50	48	41	33	29	24	22										
	(A+B) ÷ 2 = 9'-6" (2896)	50	48	41	33	29	24	22										
	(A+B) ÷ 2 = 9'-0" (2743)	50	48	41	33	29	24	22										
	(A+B) ÷ 2 = 8'-6" (2591)	50	48	41	33	29	24	22										
	(A+B) ÷ 2 = 8'-0" (2438)	50	48	41	33	29	24	22										
	(A+B) ÷ 2 = 7'-6" (2286)	50	48	41	33	29	24	22										
	(A+B) ÷ 2 = 7'-0" (2134)	50	48	41	33	29	24	22										
	(A+B) ÷ 2 = 6'-6" (1981)	50	48	41	33	29	25	22										
	(A+B) ÷ 2 = 6'-0" (1829)	50	48	41	33	29	25	23	20									
	(A+B) ÷ 2 = 5'-6" (1676)	50	48	41	33	30	26	24	21									
	(A+B) ÷ 2 = 5'-0" (1524)	50	48	41	34	31	27	24	22	20								
	(A+B) ÷ 2 = 4'-6" (1372)	50	48	42	36	32	28	26	23	22								
(A+B) ÷ 2 = 4'-0" (1219)	50	49	43	37	34	30	28	25	23	21								
(A+B) ÷ 2 = 3'-6" (1067)	50	50	47	40	37	33	31	28	26	24	23	20						
(A+B) ÷ 2 = 3'-0" (914)	50	50	50	44	40	36	33	30	29	26	25	22	20					
(A+B) ÷ 2 = 2'-6" (762)	50	50	50	50	47	42	39	36	34	31	30	26	24	21	20			
(A+B) ÷ 2 = 2'-0" (610)	50	50	50	50	50	49	46	42	40	37	35	31	31	27	25	22		
(A+B) ÷ 2 = 1'-6" (457)	50	50	50	50	50	50	50	50	50	49	47	44	41	37	34	30	26	
C = (length of join)	4'-6" (1372) or less	5'-0" (1524)	5'-6" (1676)	6'-0" (1829)	6'-6" (1981)	7'-0" (2134)	7'-6" (2286)	8'-0" (2438)	8'-6" (2591)	9'-0" (2743)	9'-6" (2896)	10'-0" (3048)	10'-6" (3200)	11'-0" (3353)	11'-6" (3505)	12'-0" (3658)	12'-6" (3810)	



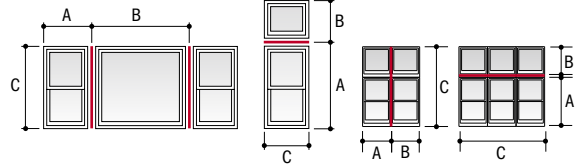
Note: Only 1-way combinations similar to those shown above are allowed.



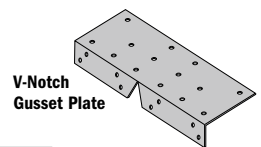
1-Way or 2-Way Steel Joining with V-Notch Gusset Plates

400 Series: Woodwright® Double-Hung, Picture and Transom Full-Frame Windows,
Tilt-Wash Double-Hung, Picture and Transom Full-Frame Windows

Average Adjacent Window Dimension	(A+B) ÷ 2 = 7'-6" (2286)	50	40	35	30	27	23	21										
	(A+B) ÷ 2 = 7'-0" (2134)	50	40	35	30	27	23	21										
	(A+B) ÷ 2 = 6'-6" (1981)	50	40	35	30	27	24	22	20									
	(A+B) ÷ 2 = 6'-0" (1829)	50	40	36	30	28	24	23	20									
	(A+B) ÷ 2 = 5'-6" (1676)	50	41	36	31	29	26	24	21	20								
	(A+B) ÷ 2 = 5'-0" (1524)	50	42	37	32	30	27	25	22	21								
	(A+B) ÷ 2 = 4'-6" (1372)	50	43	39	34	32	28	27	24	23	21							
	(A+B) ÷ 2 = 4'-0" (1219)	50	45	41	36	34	30	28	26	25	22	21						
	(A+B) ÷ 2 = 3'-6" (1067)	50	50	45	40	37	34	32	29	28	26	24	20					
	(A+B) ÷ 2 = 3'-0" (914)	50	50	50	44	41	37	35	32	30	28	26	22					
	(A+B) ÷ 2 = 2'-6" (762)	50	50	50	50	48	44	41	38	36	34	31	26	23				
	(A+B) ÷ 2 = 2'-0" (610)	50	50	50	50	50	50	48	44	41	38	36	34	30	24	21		
C = (length of join)	5'-6" (1676) or less	6'-0" (1829)	6'-6" (1981)	7'-0" (2134)	7'-6" (2286)	8'-0" (2438)	8'-6" (2591)	9'-0" (2743)	9'-6" (2896)	10'-0" (3048)	10'-6" (3200)	11'-0" (3353)	11'-6" (3505)	12'-0" (3658)	12'-6" (3810)			



4" (102) x 3/16" (5) Steel Joining Material
E = 29 x 10⁶ psi, I (AXIS x - x) = 1.0 in⁴
A36 hot rolled steel



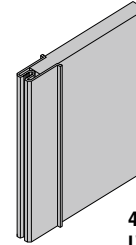
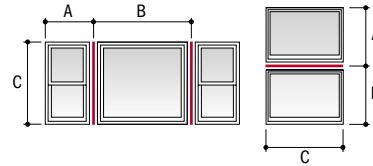
- Numerical values in charts represent structural pressure only.
- Dimensions in parentheses are in millimeters.
- Structural performance of any combination is only as high as the lowest structural performance of any individual unit or joining material in the combination.
- Andersen® products must be installed and anchored properly according to joining and installation guides to meet rated structural performance. Refer to product joining and installation guides at andersenwindows.com.
- Additional windload tables are available at andersenwindows.com.

Windows – 400 Series Double-Hung Full-Frame

1-Way LVL Joining

400 Series: Woodwright® Double-Hung, Picture and Transom Full-Frame Windows, Tilt-Wash Double-Hung, Picture and Transom Full-Frame Windows, Flexiframe® Windows

4 9/16" (116) LVL	Average Adjacent Window Dimension	(A + B) ÷ 2 = 6'-0" (1829)	50	50	50	50	40	32		
		(A + B) ÷ 2 = 5'-6" (1676)	50	50	50	50	42	33		
		(A + B) ÷ 2 = 5'-0" (1524)	50	50	50	50	43	35		
		(A + B) ÷ 2 = 4'-6" (1372)	50	50	50	50	46	38		
		(A + B) ÷ 2 = 4'-0" (1219)	50	50	50	50	49	39		
		(A + B) ÷ 2 = 3'-6" (1067)	50	50	50	50	50	44		
		(A + B) ÷ 2 = 3'-0" (914)	50	50	50	50	50	48		
		(A + B) ÷ 2 = 2'-6" (762)	50	50	50	50	50	50		
		(A + B) ÷ 2 = 2'-0" (610)	50	50	50	50	50	50		
		(A + B) ÷ 2 = 1'-6" (457)	50	50	50	50	50	50		
		(A + B) ÷ 2 = 1'-0" (305)	50	50	50	50	50	50		
		C = (length of join)	5'-6" (1676) or less	6'-0" (1829)	6'-6" (1981)	7'-0" (2134)	7'-6" (2286)	8'-0" (2438)		

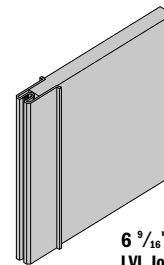
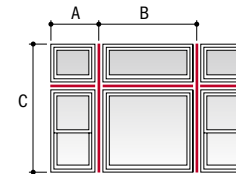


4 9/16" (116) x 3/4" (19) LVL Joining Material

2-Way LVL Joining

400 Series: Woodwright® Double-Hung, Picture and Transom Full-Frame Windows, Tilt-Wash Double-Hung, Picture and Transom Full-Frame Windows, Flexiframe® Windows

6 9/16" (167) LVL	Average Adjacent Window Dimension	(A + B) ÷ 2 = 10'-0" (3048)	50	50	50	50	48	44	37	31	24
		(A + B) ÷ 2 = 9'-6" (2896)	50	50	50	50	48	44	37	31	24
		(A + B) ÷ 2 = 9'-0" (2743)	50	50	50	50	48	44	37	31	24
		(A + B) ÷ 2 = 8'-6" (2591)	50	50	50	50	48	44	37	31	25
		(A + B) ÷ 2 = 8'-0" (2438)	50	50	50	50	48	44	37	31	25
		(A + B) ÷ 2 = 7'-6" (2286)	50	50	50	50	48	44	38	32	26
		(A + B) ÷ 2 = 7'-0" (2134)	50	50	50	50	49	45	39	33	26
		(A + B) ÷ 2 = 6'-6" (1981)	50	50	50	50	50	46	40	34	28
		(A + B) ÷ 2 = 6'-0" (1829)	50	50	50	50	50	47	41	35	29
		(A + B) ÷ 2 = 5'-6" (1676)	50	50	50	50	50	50	44	37	30
		(A + B) ÷ 2 = 5'-0" (1524)	50	50	50	50	50	50	46	39	32
		(A + B) ÷ 2 = 4'-6" (1372)	50	50	50	50	50	50	50	43	35
		(A + B) ÷ 2 = 4'-0" (1219)	50	50	50	50	50	50	50	46	38
		(A + B) ÷ 2 = 3'-6" (1067)	50	50	50	50	50	50	50	50	42
		(A + B) ÷ 2 = 3'-0" (914)	50	50	50	50	50	50	50	50	47
		(A + B) ÷ 2 = 2'-6" (762)	50	50	50	50	50	50	50	50	50
		(A + B) ÷ 2 = 2'-0" (610)	50	50	50	50	50	50	50	50	50
(A + B) ÷ 2 = 1'-6" (457)	50	50	50	50	50	50	50	50	50		
C = (length of join)	6'-0" (1829) or less	6'-6" (1981)	7'-0" (2134)	7'-6" (2286)	8'-0" (2438)	8'-6" (2591)	9'-0" (2743)	9'-6" (2896)	10'-0" (3048)		



6 9/16" (167) x 3/4" (19) LVL Joining Material

Note: 2-way joining must be assembled on the jobsite within the rough opening. When creating 2-way combinations for 6 9/16" (167) minimum wall thickness, 6 9/16" (167) LVL joining material is required.

- Numerical values in charts represent structural pressure only.
- Dimensions in parentheses are in millimeters.
- Structural performance of any combination is only as high as the lowest structural performance of any individual unit or joining material in the combination.
- Andersen® products must be installed and anchored properly according to joining and installation guides to meet rated structural performance. Refer to product joining and installation guides at andersenwindows.com.
- Additional windload tables are available at andersenwindows.com.

Combination Design, Product Performance, Installation & Warranty

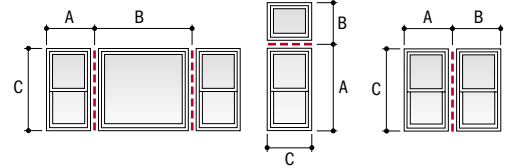
COMBINATION DESIGNS

Windows - 200 Series Double-Hung

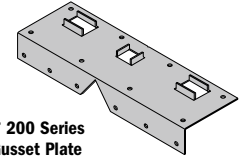
1-Way Joining with V-Notch Gusset Plates

200 Series: Tilt-Wash Double-Hung, Picture, Transom Windows

Average Adjacent Window Dimension	$(A+B) \div 2 = 6'-0"$ (1829)	50	50	50	41	31	24
	$(A+B) \div 2 = 5'-6"$ (1676)	50	50	50	41	31	24
	$(A+B) \div 2 = 5'-0"$ (1524)	50	50	50	41	31	25
	$(A+B) \div 2 = 4'-6"$ (1372)	50	50	50	42	32	26
	$(A+B) \div 2 = 4'-0"$ (1219)	50	50	50	44	34	28
	$(A+B) \div 2 = 3'-6"$ (1067)	50	50	50	47	37	31
	$(A+B) \div 2 = 3'-0"$ (914)	50	50	50	50	42	35
	$(A+B) \div 2 = 2'-6"$ (762)	50	50	50	50	49	40
	$(A+B) \div 2 = 2'-0"$ (610)	50	50	50	50	50	50
	$(A+B) \div 2 = 1'-6"$ (457)	50	50	50	50	50	50
C = (length of join)	3'-6" (1067)	4'-0" (1219)	4'-6" (1372)	5'-0" (1524)	5'-6" (1676)	6'-0" (1829)	



Note: Only 1-way combinations similar to those shown above are allowed.

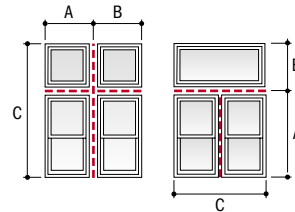


Andersen 200 Series V-Notch Gusset Plate

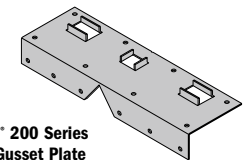
2-Way Joining with V-Notch Gusset Plates

200 Series: Tilt-Wash Double-Hung, Picture, Transom Windows

Average Adjacent Window Dimension	$(A+B) \div 2 = 6'-0"$ (1829)	40	30	24						
	$(A+B) \div 2 = 5'-6"$ (1676)	43	33	26	21					
	$(A+B) \div 2 = 5'-0"$ (1524)	48	36	29	23					
	$(A+B) \div 2 = 4'-6"$ (1372)	50	41	32	26	21				
	$(A+B) \div 2 = 4'-0"$ (1219)	50	46	36	29	24	20			
	$(A+B) \div 2 = 3'-6"$ (1067)	50	50	41	33	27	23			
	$(A+B) \div 2 = 3'-0"$ (914)	50	50	48	39	32	27	23	20	
	$(A+B) \div 2 = 2'-6"$ (762)	50	50	50	47	39	32	27	24	21
	$(A+B) \div 2 = 2'-0"$ (610)	50	50	50	50	48	41	34	30	26
	$(A+B) \div 2 = 1'-6"$ (457)	50	50	50	50	50	46	40	35	
C = (length of join)	3'-6" (1067)	4'-0" (1219)	4'-6" (1372)	5'-0" (1524)	5'-6" (1676)	6'-0" (1829)	6'-6" (1981)	7'-0" (2134)	7'-6" (2286)	



Note: Only 2-way combinations similar to shown are allowed.



Andersen 200 Series V-Notch Gusset Plate

Design Criteria for 2-Way Joining with V-Notch Gusset Plate:

Ribbons or stacks of 5 windows or less with a maximum width/height of 12' (3658).

No inverted T-joins or palladian configurations are allowed.

2-way combinations are limited to a maximum 7'-6" (2286) tall and have vertical joining priority.

V-notched gussets are required for stacks greater than 8' (2438) high, ribbons greater than 9' (2743) wide and all 2-way combinations.

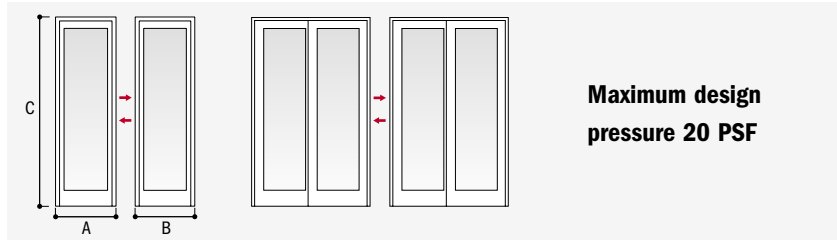
- Numerical values in charts represent structural pressure only.
- Dimensions in parentheses are in millimeters.
- Structural performance of any combination is only as high as the lowest structural performance of any individual unit or joining material in the combination.
- Andersen products must be installed and anchored properly according to joining and installation guides to meet rated structural performance. Refer to product joining and installation guides at andersenwindows.com.
- Additional windload tables are available at andersenwindows.com.

Patio Doors - Gliding

1-Way Jamb-to-Jamb Joining

400 Series: Stationary and 2-Panel Frenchwood[®] Gliding Patio Doors

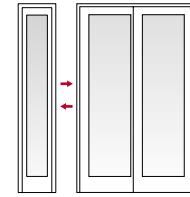
200 Series: Narroline[®] Gliding, Perma-Shield[®] Gliding Patio Doors



1-Way Jamb-to-Jamb Vertical (Ribbon) Joining

400 Series: Stationary and 2-Panel Frenchwood[®] Gliding Patio Doors, Frenchwood[®] Patio Door Sidelights

Average Adjacent Door Dimension	(A + B) + 2 = 8'-0" (2438)	65	65	65	65	61	51	44	37	33	29
	(A + B) + 2 = 7'-6" (2286)	65	65	65	65	61	51	44	37	33	29
	(A + B) + 2 = 7'-0" (2134)	65	65	65	65	61	51	44	37	33	29
	(A + B) + 2 = 6'-6" (1981)	65	65	65	65	61	51	44	38	33	30
	(A + B) + 2 = 6'-0" (1829)	65	65	65	65	61	51	44	38	34	31
	(A + B) + 2 = 5'-6" (1676)	65	65	65	65	61	52	45	39	35	32
	(A + B) + 2 = 5'-0" (1524)	65	65	65	65	62	53	46	41	37	33
	(A + B) + 2 = 4'-6" (1372)	65	65	65	65	63	55	48	43	39	35
	(A + B) + 2 = 4'-0" (1219)	65	65	65	65	65	58	51	46	42	38
	(A + B) + 2 = 3'-6" (1067)	65	65	65	65	65	62	55	50	46	42
	(A + B) + 2 = 3'-0" (914)	65	65	65	65	65	65	62	56	51	47
	(A + B) + 2 = 2'-6" (762)	65	65	65	65	65	65	65	64	59	55
	(A + B) + 2 = 2'-0" (610)	65	65	65	65	65	65	65	65	65	65
(A + B) + 2 = 1'-6" (457)	65	65	65	65	65	65	65	65	65	65	
C = (length of join)	3'-6" (1067)	4'-0" (1219)	4'-6" (1372)	5'-0" (1524)	5'-6" (1676)	6'-0" (1829)	6'-6" (1981)	7'-0" (2134)	7'-6" (2286)	8'-0" (2438)	

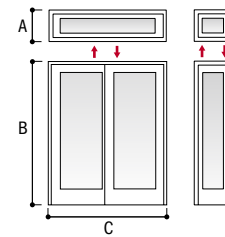


Combination Design, Product Performance, Installation & Warranty

1-Way Jamb-to-Jamb Horizontal (Stacked) Joining

400 Series: Stationary and 2-Panel Frenchwood[®] Gliding Patio Doors, Frenchwood[®] Patio Door Transoms

Average Adjacent Door Dimension	(A + B) + 2 = 12'-6" (3810)	65	65	65	65	52	40	31	25		
	(A + B) + 2 = 12'-0" (3658)	65	65	65	65	52	40	31	25		
	(A + B) + 2 = 11'-6" (3505)	65	65	65	65	52	40	31	25		
	(A + B) + 2 = 11'-0" (3353)	65	65	65	65	52	40	31	25		
	(A + B) + 2 = 10'-6" (3200)	65	65	65	65	52	40	31	25		
	(A + B) + 2 = 10'-0" (3048)	65	65	65	65	52	40	31	25		
	(A + B) + 2 = 9'-6" (2896)	65	65	65	65	52	40	31	25		
	(A + B) + 2 = 9'-0" (2743)	65	65	65	65	52	40	31	25		
	(A + B) + 2 = 8'-6" (2591)	65	65	65	65	52	40	31	25		
	(A + B) + 2 = 8'-0" (2438)	65	65	65	65	52	40	31	25		
	(A + B) + 2 = 7'-6" (2286)	65	65	65	65	52	40	31	25		
	(A + B) + 2 = 7'-0" (2134)	65	65	65	65	52	40	31	25		
	(A + B) + 2 = 6'-6" (1981)	65	65	65	65	52	40	31	25		
	(A + B) + 2 = 6'-0" (1829)	65	65	65	65	52	40	32	25	20	
	(A + B) + 2 = 5'-6" (1676)	65	65	65	65	52	40	32	26	20	
	(A + B) + 2 = 5'-0" (1524)	65	65	65	65	53	41	34	28	22	
	(A + B) + 2 = 4'-6" (1372)	65	65	65	65	54	44	36	29	23	
	(A + B) + 2 = 4'-0" (1219)	65	65	65	65	58	47	39	32	25	21
	(A + B) + 2 = 3'-6" (1067)	65	65	65	65	63	51	43	35	28	23
	(A + B) + 2 = 3'-0" (914)	65	65	65	65	65	58	49	40	32	26
(A + B) + 2 = 2'-6" (762)	65	65	65	65	65	65	57	47	38	31	
(A + B) + 2 = 2'-0" (610)	65	65	65	65	65	65	65	58	47	38	
(A + B) + 2 = 1'-6" (457)	65	65	65	65	65	65	65	65	62	51	
C = (length of join)	3'-6" (1067)	4'-0" (1219)	4'-6" (1372)	5'-0" (1524)	5'-6" (1676)	6'-0" (1829)	6'-6" (1981)	7'-0" (2134)	7'-6" (2286)	8'-0" (2438)	



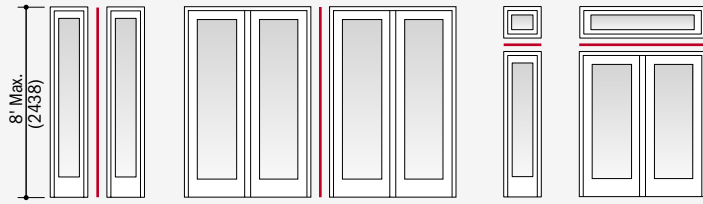
- Numerical values in charts represent structural pressure only.
- Dimensions in parentheses are in millimeters.
- Structural performance of any combination is only as high as the lowest structural performance of any individual unit or joining material in the combination.
- Andersen[®] products must be installed and anchored properly according to joining and installation guides to meet rated structural performance. Refer to product joining and installation guides at andersenwindows.com.
- Additional windload tables are available at andersenwindows.com.

COMBINATION DESIGNS

Patio Doors – Hinged

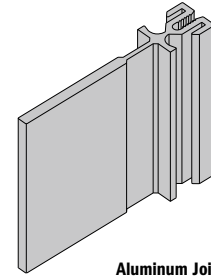
1-Way Aluminum Joining

400 Series: Frenchwood® Hinged Inswing Patio Doors, Frenchwood® Patio Doors Sidelights and Transoms



**1-Way
Maximum design
pressure 25 PSF**

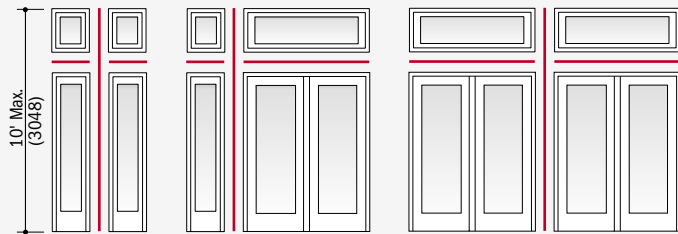
Note: When joining hinged inswing patio doors, do not join hinge jamb to hinge jamb.



Aluminum Joining Material

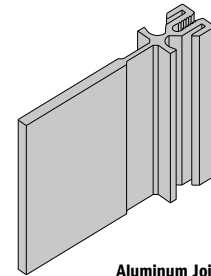
2-Way Aluminum Joining

400 Series: Frenchwood® Hinged Inswing Patio Doors, Frenchwood® Patio Doors Sidelights and Transoms



**2-Way
Maximum design
pressure 20 PSF**

Note: When joining hinged inswing patio doors, do not join hinge jamb to hinge jamb.



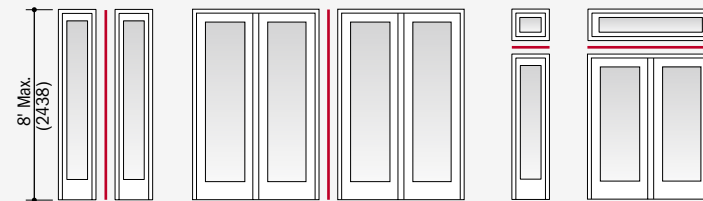
Aluminum Joining Material

Patio Doors – Gliding & Hinged

1-Way LVL Joining

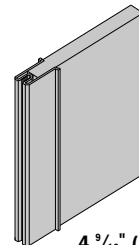
400 Series: Frenchwood® Gliding, Frenchwood® Hinged Inswing Patio Doors, Frenchwood® Patio Door Sidelights and Transoms

200 Series: Narroline® Gliding, Perma-Shield® Gliding Patio Doors



**Maximum rating for 4 9/16" (116)
LVL is equivalent to +62/-77 PSF**

**Maximum for four-panel patio
doors is equivalent to 40 PSF**



**4 9/16" (116) x 3/4" (19)
LVL Joining Material**

• Dimensions in parentheses are in millimeters.

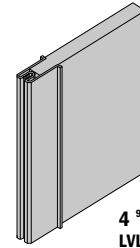
Patio Doors – Gliding & Hinged

2-Way LVL Joining

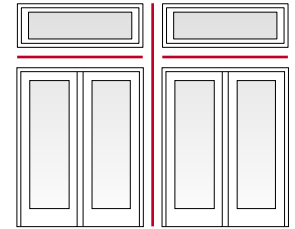
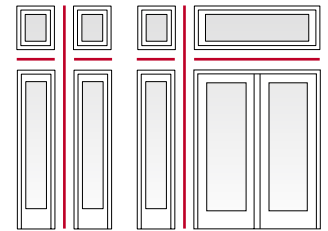
400 Series: Frenchwood® Gliding, Frenchwood® Hinged Inswing Patio Doors, Frenchwood® Patio Door Sidelights and Transoms

200 Series: Narroline® Gliding, Perma-Shield® Gliding Patio Doors

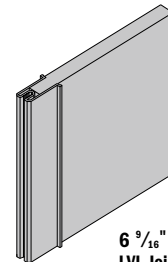
4 9/16" (116) LVL	Average Adjacent Door/Transom/Sidelight Dimension	(A + B) ÷ 2 = 8'-0" (2438)	30	27	25	23	21	20				
		(A + B) ÷ 2 = 7'-9" (2362)	31	29	26	24	22	21				
		(A + B) ÷ 2 = 7'-6" (2286)	32	29	27	25	23	21				
		(A + B) ÷ 2 = 7'-3" (2210)	33	30	27	25	23	21	20			
		(A + B) ÷ 2 = 7'-0" (2134)	34	31	29	24	24	22	21			
		(A + B) ÷ 2 = 6'-9" (2057)	35	32	29	27	25	23	21			
		(A + B) ÷ 2 = 6'-6" (1981)	36	33	31	28	26	24	22	20		
		(A + B) ÷ 2 = 6'-3" (1905)	37	34	31	29	27	25	23	21		
		(A + B) ÷ 2 = 6'-0" (1829)	39	35	33	30	27	25	23	22	20	
		(A + B) ÷ 2 = 5'-9" (1753)	40	37	34	31	29	27	25	23	21	
		(A + B) ÷ 2 = 5'-6" (1676)	42	38	35	33	30	27	25	23	22	20
		(A + B) ÷ 2 = 5'-3" (1600)	43	40	37	34	31	29	27	25	23	21
		(A + B) ÷ 2 = 5'-0" (1524)	45	42	39	35	33	30	27	25	23	22
		(A + B) ÷ 2 = 4'-9" (1448)	47	44	40	37	34	31	29	27	25	23
		(A + B) ÷ 2 = 4'-6" (1372)	50	46	42	39	35	33	30	28	26	24
		(A + B) ÷ 2 = 4'-3" (1295)	53	49	45	41	37	35	32	29	27	25
		(A + B) ÷ 2 = 4'-0" (1219)	56	51	47	43	39	37	33	31	29	27
		(A + B) ÷ 2 = 3'-9" (1143)	59	54	50	46	42	39	35	33	30	28
		(A + B) ÷ 2 = 3'-6" (1067)	63	57	53	49	45	41	38	35	32	30
		(A + B) ÷ 2 = 3'-3" (991)	67	62	57	52	48	44	41	37	33	32
(A + B) ÷ 2 = 3'-0" (914)	73	67	61	56	51	47	43	40	37	34		
C = (length of join)	7'-9" (2362)	8'-0" (2438)	8'-3" (2515)	8'-6" (2591)	8'-9" (2667)	9'-0" (2743)	9'-3" (2819)	9'-6" (2896)	9'-9" (2972)	10'-0" (3048)		



4 9/16" (116) x 3/4" (19) LVL Joining Material



Note: When joining hinged inswing patio doors, do not join hinge jamb to hinge jamb.



6 9/16" (167) x 3/4" (19) LVL Joining Material

6 9/16" (167) LVL	Average Adjacent Door/Transom/Sidelight Dimension	(A + B) ÷ 2 = 8'-0" (2438)	45	43	43	41	41	40	37	36	35	35	
		(A + B) ÷ 2 = 7'-9" (2362)	46	45	44	43	42	41	38	37	37	37	35
		(A + B) ÷ 2 = 7'-6" (2286)	47	46	45	44	43	42	39	38	38	37	37
		(A + B) ÷ 2 = 7'-3" (2210)	49	47	47	45	44	43	40	39	39	39	38
		(A + B) ÷ 2 = 7'-0" (2134)	50	49	48	47	45	45	41	41	41	40	39
		(A + B) ÷ 2 = 6'-9" (2057)	51	51	49	48	47	46	43	42	41	41	40
		(A + B) ÷ 2 = 6'-6" (1981)	53	52	51	50	49	47	44	43	42	41	41
		(A + B) ÷ 2 = 6'-3" (1905)	55	54	53	51	50	49	46	45	44	44	43
		(A + B) ÷ 2 = 6'-0" (1829)	57	56	55	53	52	51	47	47	45	45	45
		(A + B) ÷ 2 = 5'-9" (1753)	59	58	57	55	54	53	49	49	47	47	47
		(A + B) ÷ 2 = 5'-6" (1676)	62	61	59	57	56	55	51	51	49	49	49
		(A + B) ÷ 2 = 5'-3" (1600)	65	63	61	60	59	57	53	53	51	51	51
		(A + B) ÷ 2 = 5'-0" (1524)	67	66	64	63	61	60	56	55	54	53	53
		(A + B) ÷ 2 = 4'-9" (1448)	71	69	67	65	64	63	59	57	57	55	55
		(A + B) ÷ 2 = 4'-6" (1372)	74	73	71	69	67	65	62	61	59	58	58
		(A + B) ÷ 2 = 4'-3" (1295)	77	76	75	73	71	69	65	64	63	61	61
		(A + B) ÷ 2 = 4'-0" (1219)	77	77	77	77	75	73	69	67	66	65	65
		(A + B) ÷ 2 = 3'-9" (1143)	77	77	77	77	77	77	73	72	70	69	69
		(A + B) ÷ 2 = 3'-6" (1067)	77	77	77	77	77	77	76	75	73	73	73
		(A + B) ÷ 2 = 3'-3" (991)	77	77	77	77	77	77	77	77	77	77	77
(A + B) ÷ 2 = 3'-0" (914)	77	77	77	77	77	77	77	77	77	77	77		
C = (length of join)	7'-9" (2362)	8'-0" (2438)	8'-3" (2515)	8'-6" (2591)	8'-9" (2667)	9'-0" (2743)	9'-3" (2819)	9'-6" (2896)	9'-9" (2972)	10'-0" (3048)			

- Numerical values in charts represent structural pressure only.
- Dimensions in parentheses are in millimeters.
- Structural performance of any combination is only as high as the lowest structural performance of any individual unit or joining material in the combination.
- Andersen® products must be installed and anchored properly according to joining and installation guides to meet rated structural performance. Refer to product joining and installation guides at andersenwindows.com.
- Additional windload tables are available at andersenwindows.com.

Combination Design, Product Performance, Installation & Warranty

COMBINATION DESIGNS

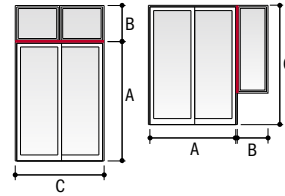
Patio Doors & 400 Series Windows

1-Way or 2-Way Steel Joining

400 Series: Patio Doors and Windows

200 Series: Patio Doors

Average Adjacent Window/Door Dimension	(A + B) + 2 = 12'-6" (3810)	40	37	33	25	22													
	(A + B) + 2 = 12'-0" (3658)	40	37	34	26	23													
	(A + B) + 2 = 11'-6" (3505)	40	38	35	27	24													
	(A + B) + 2 = 11'-0" (3353)	40	39	36	29	25													
	(A + B) + 2 = 10'-6" (3200)	40	40	37	30	27	21												
	(A + B) + 2 = 10'-0" (3048)	40	40	37	32	28	22												
	(A + B) + 2 = 9'-6" (2896)	40	40	39	34	30	23	20											
	(A + B) + 2 = 9'-0" (2743)	40	40	40	36	32	25	21											
	(A + B) + 2 = 8'-6" (2591)	40	40	40	37	34	27	22											
	(A + B) + 2 = 8'-0" (2438)	40	40	40	39	36	28	24											
	(A + B) + 2 = 7'-6" (2286)	40	40	40	40	37	31	27	21										
	(A + B) + 2 = 7'-0" (2134)	40	40	40	40	40	32	28	22										
	(A + B) + 2 = 6'-6" (1981)	40	40	40	40	40	36	31	25	23									
	(A + B) + 2 = 6'-0" (1829)	40	40	40	40	40	39	36	27	24	20								
	(A + B) + 2 = 5'-6" (1676)	40	40	40	40	40	40	37	30	25	24								
	(A + B) + 2 = 5'-0" (1524)	40	40	40	40	40	40	40	36	28	25								
	(A + B) + 2 = 4'-6" (1372)	40	40	40	40	40	40	40	37	31	27	23	20						
	(A + B) + 2 = 4'-0" (1219)	40	40	40	40	40	40	40	40	37	30	26	25	21					
	(A + B) + 2 = 3'-6" (1067)	40	40	40	40	40	40	40	40	40	36	27	26	25					
	(A + B) + 2 = 3'-0" (914)	40	40	40	40	40	40	40	40	40	40	36	30	26	23				
(A + B) + 2 = 2'-6" (762)	40	40	40	40	40	40	40	40	40	40	40	38	34	26	20				
(A + B) + 2 = 2'-0" (610)	40	40	40	40	40	40	40	40	40	40	40	40	40	34	28				
C = (length of join)	5'-6" (1676) or less	6'-0" (1829)	6'-6" (1981)	7'-0" (2134)	7'-6" (2286)	8'-0" (2438)	8'-6" (2591)	9'-0" (2743)	9'-6" (2896)	10'-0" (3048)	10'-6" (3200)	11'-0" (3353)	11'-6" (3505)	12'-0" (3658)	12'-6" (3810)				



Intended for use with patio door to window joins only.

Please refer to patio door tables for further information regarding structural support between doors.

When using exterior extension jambs on Frenchwood® hinged patio doors, special conditions apply. For complete installation details visit andersenwindows.com

Figure 1

Andersen recommends use of a separating structural header between the door head and sill of any transom unit(s). If you choose not to use a header, and a single row of transom units is desired above the door, make sure the units are securely fastened to the adjacent framing and securely "hung" by screwing through the transom unit frame(s) into the header above. Steel joining may be required. **IMPORTANT: HEADER SAG MAY ADVERSELY AFFECT THE PROPER FUNCTIONING AND PERFORMANCE OF THE DOOR AND/OR WINDOW.** No weight from the transom unit(s) may be transferred to the door head if proper operation of the door is to be achieved. For four-panel doors, see Figure 3.

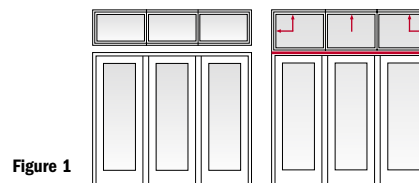


Figure 1

Figure 2

Any transom combination made up of more than a single row of windows must have a separating header (by others).



Figure 2

Figure 3

Always use a structural header to separate transom windows from four-panel gliding doors. For all other door types, see Figure 1.

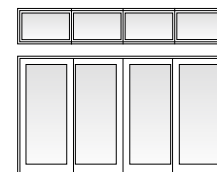


Figure 3

Figure 4

Steel reinforcing is recommended whenever transom or sidelight windows are placed above or beside door units.

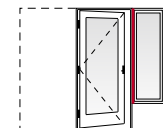


Figure 4

- Numerical values in charts represent structural pressure only.
- Dimensions in parentheses are in millimeters.
- Structural performance of any combination is only as high as the lowest structural performance of any individual unit or joining material in the combination.
- Andersen® products must be installed and anchored properly according to joining and installation guides to meet rated structural performance. Refer to product joining and installation guides at andersenwindows.com.
- Additional windload tables are available at andersenwindows.com.

Andersen® Window and Patio Door Altitude Limits

The chart below gives the altitude limit in feet for most 400 Series and 200 Series products in this catalog. If the installation of a given product is at an altitude greater than that shown in this chart, a capillary breather tube must be ordered. Be aware that the use of a capillary breather tube eliminates argon gas blend fill and will result in a slightly lower thermal performance (approximately 0.02 increase in window U-factor). For NFRC certified total unit performance on units with capillary breather tubes for higher altitude applications, please visit andersenwindows.com/nfrc.

The use of dual-pane insulating glass at altitudes higher than its rating will result in severe glass distortion, increased glass breakage potential, and a risk for seal failure.

Smaller windows are most affected by altitude changes. An increase in altitude results in a decrease in atmospheric pressure. A sealed insulating glass unit attempts to combat this change by increasing its volume to reduce its pressure. One way to increase its volume is by glass deflection. A smaller window is stiffer and does not deflect as much as a larger window; therefore, it cannot relieve the pressure as readily. Thus, the load applied to the glass is greater, resulting in a greater risk for breakage. Another way the window tries to increase its volume is by increasing the edge area; i.e. the seal area. The increased pressure applied to the edge seal load for a smaller window is therefore greater, increasing the chance for seal failure.

Product	2,000	3,000	4,000	5,000	6,000	7,000	8,000	9,000	10,000								
400 Series Casement and Awning Windows				CR12 CR13 CR135 CR14 CR15 CR16 CR45 CR155 CR125	CN12 CN13 CN135 CN14 CN145 CN15 CN155 CN16 AN251	C12 C14 AN251 C15 C155 C135 C16 C145 CW12 A281 C125 CXW12	CW13 CW135 CW14 CX125 AX251 CW125 CXW125	CW145 CW15 CW155 CW16 AW251 AW281	CX13 AXW281 CX135 AX31 CX14 AX351 CX145 AX41 CX15 AX451 CX155 AX51 CX16 AX551 AX61	A335/CP353 CP3535 CXW3/CP303 CXW35 CXW45 CXW5/CP305 CXW155 CXW6 CXW4							
			4,000						10,000								
400 Series Casement/Awning Transom & Picture Windows		CTR1510 CTR1810 CTR2010 CTR2410 CTR2810	CTR3010 CTR2910 CTR3410 CTR4010 CTR4810	CTR5010 CTR5210 CTR51110 CTR6010 CTR7010					P3030 P3035 P3040 P3045	P3050 P3055 P3060	P3535 P3540 P3545 P3550	P5050 P5055 P4050 P4055	P4045 P4060 P4545 P4550 P4555	P5060 P4560			
400 Series Woodwright® Double-Hung Windows			18210 20210 24210 30210 26210	34210 28210 210210 38210	18320 18360 18310 18420 26320 26360 28320 34360 18460 18410 18520 1856E 18510 21036	30320 30360 38320 18620 1856C 20320 20360 24320 28360 34320 21032 38360 24360	20310 20420 20460 20410 210310 210420 30310 30420 20520 2056E 20510 20620	2056C 34420 38310 38420 24310 24420 26310 26420 28310 34310 28420	24460 24410 24520 2456E 24510 24620 2456C	26460 28460 21046 30460 30480 34460 38460	26410 28410 26520 2656E 26510 30520 34410 34520 38410 26620 2656C	28410 28520 2856E 28510 28620 2856C 210410 210520 38520 30410	21056E 210510 210620 21056C	3056E 3456E 3856E	30510 30620 3056C 34510 3456C 34620	3456C 38510 38620 3856C	
	E = equal sash C = cottage sash Designate product code as WDH, WU, WH or WA.																
400 Series Woodwright® Transom Window																	
		WTR1810 WTR1815 WTR1817 WTR18111 WTR18121 WTR31010 WTR2815 WTR2817 WTR3010 WTR3015 WTR3017 WTR6217	WTR4210 WTR4310 WTR1823 WTR1827 WTR1831 WTR2010 WTR2015 WTR3415 WTR3417 WTR3810 WTR3815 WTR3817	WTR31015 WTR41010 WTR41017 WTR6210 WTR5617 WTR2410 WTR2415 WTR2417 WTR2810 WTR41015 WTR5615 WTR6215	WTR28121 WTR30111 WTR31021 WTR4221 WTR41021 WTR5621 WTR6221 WTR30121 WTR34111 WTR34121 WTR38111 WTR38121 WTR28111	WTR20111 WTR30111 WTR31021 WTR4221 WTR41021 WTR5621 WTR6221	WTR2423 WTR31023 WTR4231 WTR41023 WTR5623 WTR6223	WTR2827 WTR4227 WTR3027 WTR41027 WTR3827	WTR31027 WTR4227 WTR41027 WTR5627 WTR6227	WTR3031 WTR3431 WTR3831	WTR31031 WTR4231 WTR41031 WTR5631 WTR6231						
400 Series Woodwright® Picture Window																	
		WPW10310 WPW1042 WPW1046 WPW10410 WPW1052 WPW1056 WPW10510 WPW1062															
400 Series Tilt-Wash Double-Hung Windows																	
	E = equal sash C = cottage sash																
400 Series Tilt-Wash Picture Window																	
		DP10310 DP1042 DP1046 DP10410 DP1052 DP1056 DP10510 DP1062															
400 Series Tilt-Wash Transom Window																	
		TWT1810 TWT1815 TWT1817 TWT18111 TWT18121 TWT1823 TWT1827 TWT1831 TWT2010 TWT2015	TWT2017 TWT2410 TWT2415 TWT2417 TWT2610 TWT2615 TWT2617 TWT2810 TWT2815 TWT2817	TWT3817 TWT31010 TWT41010 TWT5610 TWT6210 TWT3417 TWT3415 TWT3810 TWT3815	TWT20111 TWT28111 TWT21011 TWT31011 TWT34111 TWT38111	TWT2421 TWT21021 TWT2427 TWT3021 TWT2431 TWT3023 TWT2621 TWT3421 TWT2623 TWT3821 TWT2823	TWT21021 TWT21023 TWT3021 TWT3023 TWT3421 TWT3423 TWT3821 TWT3823	TWT2627 TWT2631 TWT2827 TWT2831 TWT21027 TWT3027 TWT3427 TWT3827	TWT21031 TWT3031	TWT3431 TWT3831							

Combination Design, Product Performance, Installation & Warranty

PRODUCT PERFORMANCE

Andersen® Window and Patio Door Altitude Limits *(continued)*

Product	2,000	3,000	4,000		5,000		6,000		7,000		8,000		9,000		10,000		
400 Series Gliding Window			G32 G33 G336	G34 G35 G42	G43 G436	G44 G45			G53 G536	G54 G55	G63	G636 G64 G65					
400 Series Half Circle, Quarter Circle and Elliptical Windows			CTC1 CTCW1 CTN20	CTN24 CTCX1	CTN28 CTN30	ET8	CTN34 CTC2		CTC42 CTQC1 CTCW2		CTCX2 CTQCW1	CTC3 CTN28-2 CTQCX			CTN30-2 CTQA3		
400 Series Circle, Oval Windows					OVL1824		CIR20	OVL2030			CIR24	OVL3048			CIR30		
Flexiframe® - rectangular*	0-19" (0-483)	20-24" (608-610)	25-28" (635-711)		29-31" (737-787)		32-36" (608-610)		37-41" (608-610)		42-46" (1067-1168)		47-51" (1194-1295)		>51" (>1295)		
Flexiframe - non-rectangular*	0-35" (0-889)	36-46" (914-1168)	47-54" (1194-1372)		55-60" (1397-1524)		61-70" (1549-1778)		71-80" (1803-2032)		>80" (>2032)						
400 Series Arch Window		AFC06 AFC11 AFCW06 AFCW11 AFCP3006 AFFW5006 AFCP301 AFCW206 AFC12	AFC13 AFC135 AFC14 AFFW801 AFC145 AFFW5006 AFC15 AFFW601 AFC155 AFFW8006 AFC16 AFFW801 AFC18 AFFW1206 AFFW601	AFC206 AF21 AFCW21 AFFW501 AFFW6006 AFFW601 AFFW8006 AFFW801 AFFW1206	AFCW12 AFCW155 AFCW13 AFCW16 AFCW135 AFCW18 AFCW14 AFCP302 AFCW15 AFFW1201	AFCP303 AFC22 AFCW22 AFFW502	AFCP3035 AFCP306 AFCP304 AFCP308 AFCP305 AFFW602 AFCP3055 AFFW802	AFCP306 AFCP308	AFFW1202 AFC23 AFCW23	AFC235 AFFW5035 AFFW603 AFFW6035 AFC24	AFCW24 AFFW245 AFFW8045 AFC245 AFFW255 AFFW8055 AFC255 AFFW6055 AFFW806 AFC26 AFFW606 AFFW5055 AFC28 AFFW608 AFFW506 AFCW235 AFFW8035 AFFW508 AFFW803	AFFW505 AFC24 AFC245 AFC25 AFC255 AFC26 AFC28 AFCW235 AFFW803					
					SE3106		SE311		SE312 SE313 SE3135 SE314 SE3145		SE315 SE3155 SE316 SE5406 SE5806 SE6006	SE541 SE581 SP402 SP403 SP4035	SE601 SP404 SP405 SP4055 SP406 ELFW6006 ELFW8006	SE546 SE582 SE585 SE5835 SE586 SE542 SE545 SE5455 SE5435 SE544 SE5445 SE584 SE602 ELFW601 ELFW801 ELFW802	SE5845 SE585 SE5855 SE586 SE542 SE545 SE5455 SE5435 SE544 SE5445 SE605	SE603 SE6035 SE604 SE6045 SE545 SP802 SE5455 SE605	
400 Series Springline™ Window																	
400 Series Springline™ Flanker Window	SF CR3 SF CR35	SF CR4 SF CR5 SF CR6 SF CN3	SF CN35 SF CN4 SF CN5 SF CN6	SF C5 SF C6	SF CW35 SF CW4 SF CW5	SF CW6 SF C35 SF C4			SF CXW4 SF CXW5 SF CXW6								
400 Series Eyebrow Window																	
400 Series Extended Gothic, Octagon, Monumental Circle and Quarter Circle Windows	GT2036 GT2440 GT3046	OC20	OC24		GT4056						OC30				FR40	QR40	FR60
400 Series Frenchwood® Gliding Patio Door																	
400 Series Frenchwood® Hinged Inswing Patio Door					4168 41611	4180											
400 Series Frenchwood® Patio Door Transom																	
400 Series Frenchwood® Patio Door Sidelight																	
400 Series Frenchwood® Patio Door Sidelight Transom																	
200 Series Tilt-Wash Double-Hung Window																	
200 Series Tilt-Wash Picture Window																	
200 Series Tilt-Wash Transom Window																	
200 Series Tilt-Wash Half Circle Window																	
200 Series Gliding Window																	
200 Series Narroline® Gliding Patio Door																	
200 Perma-Shield® Gliding Patio Door																	
200 Series Hinged Inswing Patio Door																	

- Deflection of glass will occur on units with larger glass areas. If interior/exterior grilles are used on double-hung windows, gliding windows or gliding patio doors, some interference may occur, affecting operation of these units.
- Altitude limits for patio doors shown in two-panel configurations. These limits also qualify for same size panels used in one or multiple panel configurations.
- **Contact your Andersen supplier for altitude limits for custom sized windows and patio doors.**
- Dimensions in parentheses are in millimeters.
- *Maximum short side window dimension. For Flexiframe® units use shortest dimension, width or length, and round to nearest whole number, then use limits given above for Flexiframe windows.

Performance Standards

The Window and Door Manufacturers Association (WDMA), the American Architectural Manufacturers Association (AAMA) and the Canadian Standards Association (CSA) jointly release the North American Fenestration Standard/Specification for Windows, Doors and Skylights (NAFS-11) where “-11” refers to the most recent publication year of 2011. NAFS is also referred to as AAMA/WDMA/CSA 101/I.S.2/A440, which is how the International Code Council (ICC) lists this standard in the International Residential Code (IRC) and International Building Code (IBC) as the means for a window or door to show compliance to design wind loads.

Performance Grades are being used to represent product performance over and above Design Pressures as the preferred method of rating product performance throughout the window, door and skylight industry.

A product only achieves a “Performance Grade” or “PG” rating if that product complies with not only the structural loading requirement, but all other performance requirements such as resistance to air infiltration, resistance to water penetration, ease of operation and resistance to forced entry. A “Design Pressure Rating” or “DP” rating only depicts structural performance.

Performance Classes

The NAFS Standard/Specification defines requirements for four performance classes. The performance classes are designated R, LC, CW, and AW. This classification system provides for several levels of performance. Product selection is always based on the performance requirements of the particular project.

Elements of Performance Grade (PG) Designations

In order to qualify for a given performance grade (PG), test specimens need to pass all required performance tests for the following, in addition to all required auxiliary (durability), material and component tests (not shown here) for the applicable product type and desired performance class:

(a) Operating force (if applicable): minimum and maximum operating force vary by product type and performance class.

(b) Air leakage resistance: tested in accordance with ASTM E283 at a test pressure of 1.57 psf. The allowable air infiltration for R, LC & CW class designations is 0.3 cubic feet per minute per square foot of frame (cfm/ft²).

(c) Water penetration resistance: tested in accordance with ASTM E547 with the specified test pressure applied per NAFS-11. The test consists of four cycles. Each cycle consists of five minutes with pressure applied and one minute with the pressure released, during which the water spray is continuously applied. The water spray shall be uniformly applied at a constant rate of 5.0 U.S. gal/ft² · hr.

(d) Uniform load deflection test: tested in accordance with ASTM E330 for both positive and negative pressure (pressure defined by NAFS-11) with the load maintained for a period of 60 seconds. After loads are removed there shall be no damage to the unit which would make it inoperable.

(e) Uniform load structural test: tested in accordance with ASTM E330 for both positive and negative pressure (pressure defined by NAFS-11) with the load maintained for a period of 10 seconds. After loads are removed there shall be no permanent deformation in excess of 0.4% of its span and no damage to the unit which would make it inoperable.

(f) Forced-entry resistance (if applicable): tested in accordance with ASTM F588 (windows), F476 (swinging doors) and F842 (sliding doors) at a performance level 10 rating.

Performance Grades (PG) & Corresponding Test Pressures (psf)


	PG20	PG25	PG30	PG35	PG40	PG45	PG50	PG55	PG60
WTP	2.90	3.75	4.50	5.25	6.00	6.75	7.50	8.25	9.00
DP	15	25	30	35	40	45	50	55	60
STP	22.5	37.5	45.0	52.5	60.0	67.5	75.0	82.5	90.0
Air	0.3	0.3	0.3	0.3	0.3	0.3	0.3	0.3	0.3

- Forced Entry Resistance (FER) is always a performance level 10 regardless of Performance Grade (PG).
- WTP - water test pressure
- DP - design pressure
- STP - structural test pressure
- Minimum and maximum Operating Force varies by product type.
- psf - pounds per square foot

Hallmark Certification

The Window and Door Manufacturers Association (WDMA) sponsored Hallmark Certification Program is designed to provide builders, architects, specifiers and consumers with an easily recognizable means of identifying products that have been manufactured and tested in accordance with NAFS (AAMA/WDMA/CSA 101/I.S.2/A440) industry standards and other applicable performance standards. Conformance is determined by periodic in-plant inspections by a third-party administrator. The inspections include auditing licensee quality control procedures and processes, and a review to confirm products are manufactured in accordance with the appropriate performance standards. Periodic testing of representative product constructions and components by an independent testing laboratory is also required. When all of the program requirements are met, the licensee is authorized to use the WDMA Hallmark registered logo on their Certification Label as a means of identifying products and their performance ratings.

Products successfully obtaining Hallmark Certification will be labeled with a 3-part code, which includes performance class, performance grade and size tested. In addition to this mandatory requirement you are allowed to list the design pressure on a separate line.

	Andersen Corporation 400 SERIES CASEMENT WINDOW Manufacturer Stipulates certification as indicated below					
	<table border="1"> <thead> <tr> <th>STANDARD</th> <th>RATING</th> </tr> </thead> <tbody> <tr> <td>AAMA/WDMA/CSA 101/I.S.2/A440-11</td> <td>CLASS LC⁽¹⁾ - PG50⁽²⁾ - SIZE TESTED 56 X 71.8 in.⁽³⁾ DP+50/-50⁽⁴⁾</td> </tr> <tr> <td>AAMA/WDMA/CSA 101/I.S.2/A440-08</td> <td>CLASS LC⁽¹⁾ - PG50⁽²⁾ - SIZE TESTED 56 X 71.8 in.⁽³⁾ DP+50/-50⁽⁴⁾</td> </tr> </tbody> </table>	STANDARD	RATING	AAMA/WDMA/CSA 101/I.S.2/A440-11	CLASS LC ⁽¹⁾ - PG50 ⁽²⁾ - SIZE TESTED 56 X 71.8 in. ⁽³⁾ DP+50/-50 ⁽⁴⁾	AAMA/WDMA/CSA 101/I.S.2/A440-08
STANDARD	RATING					
AAMA/WDMA/CSA 101/I.S.2/A440-11	CLASS LC ⁽¹⁾ - PG50 ⁽²⁾ - SIZE TESTED 56 X 71.8 in. ⁽³⁾ DP+50/-50 ⁽⁴⁾					
AAMA/WDMA/CSA 101/I.S.2/A440-08	CLASS LC ⁽¹⁾ - PG50 ⁽²⁾ - SIZE TESTED 56 X 71.8 in. ⁽³⁾ DP+50/-50 ⁽⁴⁾					

- (1) - Performance Class
- (2) - Performance Grade
- (3) - Size Tested
- (4) - Design Pressure

In the example above, the performance class is LC, the performance grade (PG) is 50 pounds per square foot (psf) and the size tested is 56" x 71.8". What this means to the specifier is, based on the performance grade chart, the laboratory tested air infiltration was less than 0.3 cfm/ft² (test pressure is always 1.57 psf and the allowable airflow is 0.3 cfm/ft²), the product tested successfully resisted a laboratory water penetration test at a test pressure of 7.5 psf, the product tested successfully withstood a laboratory positive test pressure of 75 psf, a laboratory negative test pressure of 75 psf and the product tested passed the laboratory requirements for operational force and forced entry resistance. Based on this test, all products smaller in both width and height can be labeled with this product performance rating.

Important

Building codes prescribe design wind loads based on a variety of criteria (i.e. windspeed zone, building height, building type, exposure category of job site, etc.). Design pressures derived from Performance Grade (PG) test requirements should be used to determine code compliance to design wind loads. Structural test pressures should **not** be used for determining design wind load code compliance. In the example above, a PG 50 performance grade rating, which passes a 50 psf design pressure, should be used for determining code compliance, not the structural test pressure of 75 psf.

If you need further details about how Andersen® products perform to this standard, contact your Andersen supplier.

If you need further information about the NAFS-11 standard or the Hallmark Certification Program please contact: WDMA, 330 N. Wabash Avenue Suite 2000 Chicago, IL 60611 Phone: 312-673-4828 Web: wdma.com

Where designated, Andersen products are tested, certified and labeled to the requirements of the Hallmark Certification Program. Actual performance may vary based on variations in manufacturing, shipping, installation, environmental conditions and conditions of use.

Combination Design, Product Performance, Installation & Warranty

PRODUCT PERFORMANCE

Performance Grade, Air Infiltration and Sound Transmission Ratings – 400 Series Windows and Patio Doors

For current performance information please visit andersenwindows.com.

Andersen® Product	AAMA/WDMA/CSA 101/IS2/A440 Performance Grade (PG)	+/- Corresponding Design Pressure (DP)	Sound Transmission Class (STC)	Outdoor/Indoor Transmission Class (OITC)	Air Infiltration CFM/FT²
Casement Windows					
Single Stationary (CXW16)	Class LC-PG50 Size Tested 35" x 71"	50/50	26	22	< 0.2
Single Venting (CXW16-155, CX16-155)	Class LC-PG40 Size Tested 35" x 71"	40/40	26	22	< 0.2
Single Venting (CXW15)	Class LC-PG45 Size Tested 71" x 60"	50/50	26	22	< 0.2
Single Venting (CW16 and smaller)	Class LC-PG50 Size Tested 56" x 71"	50/50	26	22	< 0.2
Single Venting (CXW145 and smaller)	Class LC-PG50 Size Tested 71" x 52"	50/50	26	22	< 0.2
Single Venting (CX15 and smaller)	Class LC-PG50 Size Tested 62" x 59"	50/50	26	22	< 0.2
Double Stationary (CXW245, CX25, CW26 and smaller)	Class LC-PG50 Size Tested 56" x 71"	50/50	26	22	< 0.2
Double Venting (CXW25)	Class LC-PG45 Size Tested 71" x 60"	45/45	26	22	< 0.2
Double Venting (CXW245 and smaller)	Class LC-PG50 Size Tested 71" x 52"	50/50	26	22	< 0.2
Double Venting (CX25 and smaller)	Class LC-PG50 Size Tested 62" x 59"	50/50	26	22	< 0.2
Double Venting (CW26 and smaller)	Class LC-PG50 Size Tested 56" x 71"	50/50	26	22	< 0.2
Triple Venting (CW35 and smaller)	Class LC-PG40 Size Tested 84" x 60"	40/40	26	22	< 0.2
Triple Venting (C35 and smaller)	Class LC-PG50 Size Tested 71" x 60"	50/50	26	22	< 0.2
Casement/Awning Picture Windows (P5060 and smaller)	Class LC-PG70 Size Tested 59" x 71"	70/70	29	25	< 0.2
Casement/Awning Transom Windows (CTR32410 and smaller)	Class LC-PG70 Size Tested 84" x 12"	70/70	29	25	< 0.2
Casement Windows, PG Upgrade					
Single Stationary (tempered glass, CXW16)	Class LC-PG70 Size Tested 35" x 71"	70/70	n/a	n/a	< 0.2
Single Venting (CXW145 and smaller)	Class LC-PG70 Size Tested 35" x 52"	70/70	26	22	< 0.2
Single Venting (CX16 and smaller)	Class LC-PG70 Size Tested 31" x 71"	70/70	26	22	< 0.2
Double Venting (CW26 and smaller)	Class LC-PG70 Size Tested 56" x 71"	70/70	26	22	< 0.2
Triple Venting (C35 and smaller)	Class LC-PG70 Size Tested 71" x 59"	70/70	26	22	< 0.2
Complementary Casement Windows					
Casement Venting	Class LC-PG50 Size Tested 35" x 84"	50/50	n/a	n/a	< 0.2
Casement Stationary	Class LC-PG60 Size Tested 120" x 78"	60/60	n/a	n/a	< 0.2
French Casement Venting	Class LC-PG30 Size Tested 56" x 72"	30/30	n/a	n/a	< 0.2
Awning Windows					
Single Stationary (AXW61)	Class LC-PG50 Size Tested 35" x 71"	50/50	26	21	< 0.2
Single Venting (AXW51 and smaller)	Class LC-PG35 Size Tested 59" x 35"	35/35	26	21	< 0.2
Single Venting (AX61 and smaller)	Class LC-PG35 Size Tested 72" x 31"	35/35	26	21	< 0.2
Double Venting (AXW231 and smaller)	Class LC-PG35 Size Tested 71" x 36"	35/35	26	21	< 0.2
Triple Venting (AX3251 and smaller)	Class LC-PG35 Size Tested 84" x 31"	35/35	26	21	< 0.2
Triple Venting (A313 and smaller)	Class LC-PG35 Size Tested 35" x 71"	35/35	26	21	< 0.2
Picture Venting (PA4060 and smaller)	Class LC-PG35 Size Tested 48" x 71"	35/35	n/a	n/a	< 0.2
Awning Windows, PG Upgrade					
Single Stationary (tempered glass, AXW61)	Class LC-PG70 Size Tested 35" x 71"	70/70	n/a	n/a	< 0.2
Single, Double & Triple Venting (AX3251 and smaller)	Class LC-PG60 Size Tested 84" x 31"	60/60	26	21	< 0.2
Triple Venting (A313 and smaller)	Class LC-PG60 Size Tested 35" x 71"	60/60	26	21	< 0.2

- *Performance Grade (PG)* ratings may vary from tested performance rating for larger or smaller units of a particular type.
- *Sound Transmission Class (STC)* & *Outdoor/Indoor Transmission Class (OITC)* ratings are for individual units based on independent tests and represent entire unit.
- This data is accurate as of September 2017. Due to ongoing product changes, updated test results, or new industry standards, this data may change over time.
- Where designated, Andersen products are certified and labeled to the requirements of the Hallmark Certification Program. Actual performance may vary based on variations in manufacturing, shipping, installation, environmental conditions and conditions of use.
- Contact your Andersen supplier for more information.

continued on next page

Performance Grade, Air Infiltration and Sound Transmission Ratings – 400 Series Windows and Patio Doors *(continued)*

For current performance information please visit andersenwindows.com.

Andersen® Product	AAMA/WDMA/CSA 101/IS2/A440 Performance Grade (PG)	+/- Corresponding Design Pressure (DP)	Sound Transmission Class (STC)	Outdoor/Indoor Transmission Class (OITC)	Air Infiltration CFM/FT ²
Woodwright® Full-Frame Windows					
Double-Hung (3862 and smaller)	Class LC-PG30 Size Tested 45" x 76"	30/30	28	23	< 0.2
Double-Hung (cottage sash, 3862 and smaller)	Class R-20 Size Tested 45" x 76"	20/20	27	23	< 0.2
Arch Double-Hung (3862 and smaller)	Class LC-PG30 Size Tested 45" x 76"	30/30	28	23	< 0.2
Springline™ Single-Hung (3872 and smaller)	Class LC-PG30 Size Tested 45" x 86"	30/30	28	23	< 0.2
Picture (5662 and smaller)	Class LC-PG65 Size Tested 67" x 76"	65/65	28	23	< 0.2
Transom (6231 and smaller)	Class LC-PG70 Size Tested 75" x 39"	70/70	28	22	< 0.2
Woodwright® Full-Frame Windows, PG Upgrade					
Double-Hung (3052 and smaller)	Class LC-PG50 Size Tested 37" x 64"	50/50	27	23	< 0.2
Arch Double-Hung (3054)	Class LC-PG50 Size Tested 37" x 64"	50/50	28	23	< 0.2
Springline™ Single-Hung (3057)	Class LC-PG50 Size Tested 37" x 67"	50/50	28	23	< 0.2
Woodwright® Insert Windows					
Double-Hung (3862 and smaller)	Class R-PG25 Size Tested 45" x 77"	25/25	26	21	< 0.2
Double-Hung (cottage sash, 3862 and smaller)	Class R-PG20 Size Tested 45" x 68"	20/20	26	21	< 0.2
Picture (5662 and smaller)	Class LC-PG30 Size Tested 68" x 78"	30/30	30	26	< 0.2
Transom (6878 and smaller)	Class LC-PG30 Size Tested 68" x 78"	30/35	30	26	< 0.2
Tilt-Wash Full-Frame Windows					
Double-Hung (3862 and smaller)	Class LC-PG30 Size Tested 45" x 76"	40/40	26	23	< 0.2
Double-Hung* (3876 and smaller)	Class LC-PG30 Size Tested 45" x 92"	30/35	26	23	< 0.2
Picture (5662 and smaller)	Class LC-PG50 Size Tested 67" x 76"	50/65	30	25	< 0.2
Transom (6231 and smaller)	Class LC-PG50 Size Tested 75" x 39"	50/50	28	23	< 0.2
Tilt-Wash Windows, PG Upgrade					
Double-Hung	Class LC-PG50 Size Tested 45" x 76"	50/65	26	23	< 0.2
Double-Hung (3456, 3856, 34510, 38510, 3462, 3862)	Class LC-PG50 Size Tested 45" x 76"	50/55	26	23	< 0.2
Tilt-Wash Insert Windows					
Double-Hung (double lock)	Class R-PG20 Size Tested 45" x 92"	20/20	27	24	< 0.2
Double-Hung (single lock)	Class R-PG20 Size Tested 35" x 92"	20/20	27	24	< 0.2
Double-Hung	Class R-PG20 Size Tested 45" x 76"	30/30	27	24	< 0.2
Gliding Windows (G65 and smaller)	Class LC-PG30 Size Tested 71" x 59"	30/30	26	22	< 0.2
Specialty Windows					
Arch (AFFW6080 and smaller)	Class LC-PG50 Size Tested 71" x 105"	50/50	30	25	< 0.2
Flexiframe® (12050 and smaller)	Class LC-PG50 Size Tested 144" x 60"	50/50	30	25	< 0.2
Springline™ (SP802 and smaller)	Class LC-PG50 Size Tested 96" x 72"	50/50	30	25	< 0.2
Specialty Windows, PG Upgrade					
Arch (tempered glass, AFFW6080 and smaller)	Class LC-PG70 Size Tested 71" x 105"	70/70	n/a	n/a	< 0.2
Flexiframe® (tempered glass, 12050 and smaller)	Class LC-PG70 Size Tested 144" x 60"	70/70	n/a	n/a	< 0.2
Springline™ (tempered glass, SP802 and smaller)	Class LC-PG70 Size Tested 96" x 72"	70/70	n/a	n/a	< 0.2
Complementary Specialty Windows (direct-set, fixed)	Class LC-PG50 Size Tested 125" x 84"	50/50	28	24	< 0.2

*Performance Grade (PG) ratings may vary from tested performance rating for larger or smaller units of a particular type. *continued on next page*
 • "Sound Transmission Class (STC)" & "Outdoor/Indoor Transmission Class (OITC)" ratings are for individual units based on independent tests and represent entire unit.
 • This data is accurate as of September 2017. Due to ongoing product changes, updated test results, or new industry standards, this data may change over time.
 • Where designated, Andersen products are certified and labeled to the requirements of the Hallmark Certification Program. Actual performance may vary based on variations in manufacturing, shipping, installation, environmental conditions and conditions of use.
 • Contact your Andersen supplier for more information.
 *7'-4 9/16" (2250) and 7'-8 1/8" (2359) high units have interior and exterior brackets. Interior brackets, located on each side of the check rail, must be flipped up for proper product performance.

Combination Design, Product Performance, Installation & Warranty

PRODUCT PERFORMANCE

Performance Grade, Air Infiltration and Sound Transmission Ratings – 400 Series Windows and Patio Doors *(continued)*

For current performance information please visit andersenwindows.com.

Andersen® Product	AAMA/WDMA/CSA 101/IS2/A440 Performance Grade (PG)	+/- Corresponding Design Pressure (DP)	Sound Transmission Class (STC)	Outdoor/Indoor Transmission Class (OITC)	Air Infiltration CFM/FT ²
Frenchwood® Gliding Patio Doors					
Single-Panel	Class LC-PG40 Size Tested 50" x 95"	40/40	31	26	< 0.2
Two-Panel	Class LC-PG40 Size Tested 95" x 95"	40/40	30	25	< 0.2
Four-Panel (8')	Class LC-PG35 Size Tested 189" x 95"	35/35	n/a	n/a	< 0.2
Four-Panel (6'-11", 6'-8")	Class LC-PG25 Size Tested 189" x 82"	25/25	n/a	n/a	< 0.2
Frenchwood® Hinged Inswing Patio Doors					
Single-Panel	Class LC-PG40 Size Tested 38" x 95"	40/40	30	26	< 0.2
Two-Panel	Class LC-PG40 Size Tested 71" x 95"	40/40	30	25	< 0.2
Three-Panel	Class LC-PG40 Size Tested 107" x 95"	40/40	n/a	n/a	< 0.2
Frenchwood® Patio Door Sidelights	Class LC-PG65 Size Tested 18" x 95"	65/65	32	26	< 0.2
Frenchwood® Patio Door Transoms	Class LC-PG65 Size Tested 71" x 21"	65/65	29	25	< 0.2
Complementary Springline™ & Arch Inswing Patio Doors					
Single Stationary	Class LC-PG45 Size Tested 37" x 95"	45/45	30	25	< 0.2
Single Active**	Class LC-PG45 Size Tested 37" x 95"	45/45	30	25	< 0.2
Two-Panel Stationary	Class LC-PG45 Size Tested 75" x 95"	45/45	30	25	< 0.2
Two-Panel Active**	Class LC-PG45 Size Tested 75" x 95"	45/45	30	25	< 0.2
Complementary Springline™ & Arch Outswing Patio Doors					
Single Stationary	Class LC-PG45 Size Tested 37" x 95"	45/45	31	25	< 0.2
Single Active**	Class LC-PG45 Size Tested 37" x 95"	45/45	31	25	< 0.2
Two-Panel Stationary	Class LC-PG45 Size Tested 75" x 95"	45/45	31	25	< 0.2
Two-Panel Active**	Class LC-PG45 Size Tested 75" x 95"	45/45	31	25	< 0.2

- *Performance Grade (PG) ratings may vary from tested performance rating for larger or smaller units of a particular type.
- **Sound Transmission Class (STC) & "Outdoor/Indoor Transmission Class (OITC)" ratings are for individual units based on independent tests and represent entire unit.
- This data is accurate as of September 2017. Due to ongoing product changes, updated test results, or new industry standards, this data may change over time.
- Where designated, Andersen products are certified and labeled to the requirements of the Hallmark Certification Program. Actual performance may vary based on variations in manufacturing, shipping, installation, environmental conditions and conditions of use.
- Contact your Andersen supplier for more information.
- **Tested with standard multi-point hardware.

Performance Grade, Air Infiltration and Sound Transmission Ratings – Folding Doors

For current performance information please visit andersenwindows.com.

Andersen® Product	AAMA/WDMA/CSA 101/IS2/A440 Performance Grade (PG)	+/- Corresponding Design Pressure (DP)	Sound Transmission Class (STC)	Outdoor/Indoor Transmission Class (OITC)	Air Infiltration CFM/FT ²
Folding Doors (up to 288" frame width)					
1L3R**	Class SP-PG30 Size Tested 159.8" x 95.5**	30/35	30	24	< 0.2
2L2R	Class SP-PG30 Size Tested 159.0" x 95.5**	30/35	30	24	< 0.2
1L3R**	Class SP-PG30 Size Tested 159.8" x 119.5**	30/30	30	24	< 0.2
2L2R	Class SP-PG30 Size Tested 159.0" x 119.5**	30/30	30	24	< 0.2

- *Performance Grade (PG) ratings may vary from tested performance rating for larger or smaller units of a particular type.
- **Sound Transmission Class (STC) & "Outdoor/Indoor Transmission Class (OITC)" ratings are for individual units based on independent tests and represent entire unit.
- This data is accurate as of September 2017. Due to ongoing product changes, updated test results, or new industry standards, this data may change over time.
- Where designated, Andersen products are certified and labeled to the requirements of the Hallmark Certification Program. Actual performance may vary based on variations in manufacturing, shipping, installation, environmental conditions and conditions of use.
- Contact your Andersen supplier for more information.
- *Actual door size tested; certification maximum door size 288" x 119 1/2".
- **Tested with standard multi-point hardware.

Performance Grade, Air Infiltration and Sound Transmission Ratings – Residential Entry Doors

For current performance information please visit andersenwindows.com.

Andersen® Product	AAMA/WDMA/CSA 101/IS2/A440 Performance Grade (PG)	+/- Corresponding Design Pressure (DP)	Sound Transmission Class (STC)	Outdoor/Indoor Transmission Class (OITC)	Air Infiltration CFM/FT ²
Residential Springline™ Inswing Entry Doors††					
Single Stationary	Class LC-PG30 Size Tested 86" x 95"	30/35	30	25	< 0.2
Single Active**	Class LC-PG30 Size Tested 86" x 95"	30/35	30	25	< 0.2
Two-Panel Stationary	Class LC-PG30 Size Tested 86" x 95"	30/35	30	25	< 0.2
Two-Panel Active**	Class LC-PG30 Size Tested 86" x 95"	30/35	30	25	< 0.2
Residential Springline™ Outswing Entry Doors††					
Single Stationary	Class LC-PG30 Size Tested 86" x 95"	30/35	31	25	< 0.2
Single Active**	Class LC-PG30 Size Tested 86" x 95"	30/35	31	25	< 0.2
Two-Panel Stationary	Class LC-PG30 Size Tested 86" x 95"	30/35	31	25	< 0.2
Two-Panel Active**	Class LC-PG30 Size Tested 86" x 95"	30/35	31	25	< 0.2
Residential Arch Inswing Entry Doors††					
Single Stationary	Class LC-PG30 Size Tested 86" x 95"	30/35	30	25	< 0.2
Single Active**	Class LC-PG30 Size Tested 86" x 95"	30/35	30	25	< 0.2
Two-Panel Stationary	Class LC-PG30 Size Tested 86" x 95"	30/35	30	25	< 0.2
Two-Panel Active**	Class LC-PG30 Size Tested 86" x 95"	30/35	30	25	< 0.2
Residential Arch Outswing Entry Doors††					
Single Stationary	Class LC-PG30 Size Tested 86" x 95"	30/35	31	25	< 0.2
Single Active**	Class LC-PG30 Size Tested 86" x 95"	30/35	31	25	< 0.2
Two-Panel Stationary	Class LC-PG30 Size Tested 86" x 95"	30/35	31	25	< 0.2
Two-Panel Active**	Class LC-PG30 Size Tested 86" x 95"	30/35	31	25	< 0.2
Residential Rectangular Inswing Entry Doors††					
Single Stationary	Class LC-PG30 Size Tested 86" x 95"	30/35	30	25	< 0.2
Single Active**	Class LC-PG30 Size Tested 86" x 95"	30/35	30	25	< 0.2
Single Active (latch & deadbolt)	Class LC-PG25 Size Tested 74" x 95"	25/25	30	25	< 0.2
Two-Panel Stationary	Class LC-PG30 Size Tested 86" x 95"	30/35	30	25	< 0.2
Two-Panel Active**	Class LC-PG30 Size Tested 86" x 95"	30/35	30	25	< 0.2
Two-Panel Active (latch & deadbolt)	Class LC-PG25 Size Tested 74" x 95"	25/25	30	25	< 0.2
Residential Rectangular Outswing Entry Doors††					
Single Stationary	Class LC-PG30 Size Tested 86" x 95"	30/35	31	25	< 0.2
Single Active**	Class LC-PG30 Size Tested 86" x 95"	30/35	31	25	< 0.2
Single Active (latch & deadbolt)	Class LC-PG25 Size Tested 74" x 95"	25/25	31	25	< 0.2
Two-Panel Stationary	Class LC-PG30 Size Tested 86" x 95"	30/35	31	25	< 0.2
Two-Panel Active**	Class LC-PG30 Size Tested 86" x 95"	30/35	31	25	< 0.2
Two-Panel Active (latch & deadbolt)	Class LC-PG25 Size Tested 74" x 95"	25/25	31	25	< 0.2
Residential Inswing Entry Door Sidelights					
	Class LC-PG30 Size Tested 28" x 95"	30/35	n/a	n/a	< 0.2
Residential Outswing Entry Door Sidelights					
	Class LC-PG30 Size Tested 28" x 95"	30/35	n/a	n/a	< 0.2

• "Performance Grade (PG)" ratings may vary from tested performance rating for larger or smaller units of a particular type.
 • "Sound Transmission Class (STC)" & "Outdoor/Indoor Transmission Class (OITC)" ratings are for individual units based on independent tests and represent entire unit.
 • This data is accurate as of September 2017. Due to ongoing product changes, updated test results, or new industry standards, this data may change over time.
 • Where designated, Andersen products are certified and labeled to the requirements of the Hallmark Certification Program. Actual performance may vary based on variations in manufacturing, shipping, installation, environmental conditions and conditions of use.
 • Contact your Andersen supplier for more information.
 **Tested with standard multi-point hardware.
 ††Sound Transmission Class (STC) and Outdoor/Indoor Transmission Class (OITC) for full light panel style.

Combination Design,
Product Performance,
Installation & Warranty

PRODUCT PERFORMANCE

Performance Grade, Air Infiltration and Sound Transmission Ratings – Commercial Entry Doors

For current performance information please visit andersenwindows.com.

Andersen® Product	ASTM E330-02	Structural Rating (DP)	Sound Transmission Class (STC)	Outdoor/Indoor Transmission Class (OITC)	Air Infiltration CFM/FT ²
Commercial Rectangular Outswing Entry Doors^{††}					
Single Stationary	+/- 35 Size Tested 45" x 95"	DP35	27	24	< 0.2
Two-Panel Stationary	+/- 35 Size Tested 74" x 95"	DP35	27	22	< 0.2
Commercial Outswing Entry Door Sidelights ^{††}	+/- 35 Size Tested 45" x 95"	DP35	27	24	< 0.2
Commercial Rectangular Outswing Entry Doors^{††}					
Single Active (latch & deadbolt)	+/- 35 Size Tested 45" x 95"	DP35	27	24	n/a
Two-Panel Active (latch & deadbolt)	+/- 35 Size Tested 74" x 95"	DP35	27	22	n/a
Two-Panel Active (panic hardware)	+/- 25 Size Tested 74" x 95"	DP25	27	22	n/a

- *Performance Grade (PG)* ratings may vary from tested performance rating for larger or smaller units of a particular type.
 - *Sound Transmission Class (STC)* & *Outdoor/Indoor Transmission Class (OITC)* ratings are for individual units based on independent tests and represent entire unit.
 - This data is accurate as of September 2017. Due to ongoing product changes, updated test results, or new industry standards, this data may change over time.
 - Where designated, Andersen products are certified and labeled to the requirements of the Hallmark Certification Program. Actual performance may vary based on variations in manufacturing, shipping, installation, environmental conditions and conditions of use.
 - Contact your Andersen supplier for more information.
- ^{††}Sound Transmission Class (STC) and Outdoor/Indoor Transmission Class (OITC) for full light panel style.

Performance Grade, Air Infiltration and Sound Transmission Ratings – 200 Series Windows and Patio Doors

For current performance information please visit andersenwindows.com.

Andersen® Product	AAMA/WDMA/CSA 101/IS2/A440 Performance Grade (PG)	+/- Corresponding Design Pressure (DP)	Sound Transmission Class (STC)	Outdoor/Indoor Transmission Class (OITC)	Air Infiltration CFM/FT ²
Tilt-Wash Windows					
Double-Hung	Class LC-PG30 Size Tested 39" x 71"	30/30	27	22	< 0.2
Half Circle	Class LC-PG50 Size Tested 75" x 40"	50/50	29	24	< 0.2
Picture	Class LC-PG50 Size Tested 71" x 59"	50/50	29	24	< 0.2
Gliding Windows	Class R-PG20 Size Tested 71" x 59"	20/20	27	22	< 0.2
Narrowline® Gliding Patio Doors					
Single Stationary	Class LC-PG40 Size Tested 50" x 95"	40/40	30	24	< 0.2
Two-Panel (6068)	Class LC-PG35 Size Tested 71" x 79"	35/35	30	24	< 0.2
Two-Panel (60611)	Class LC-PG40 Size Tested 71" x 82"	40/40	30	24	< 0.2
Two-Panel (8080)	Class LC-PG25 Size Tested 95" x 95"	25/25	30	24	< 0.2
Two-Panel (6080)	Class LC-PG30 Size Tested 71" x 95"	30/30	30	24	< 0.2
Four-Panel	Class LC-PG25 Size Tested 189" x 95"	25/25	n/a	n/a	< 0.2
Perma-Shield® Gliding Patio Doors					
Single Stationary	Class LC-PG45 Size Tested 50" x 95"	45/45	30	24	< 0.2
Two-Panel	Class LC-PG25 Size Tested 96" x 95"	25/25	29	23	< 0.2
Perma-Shield® Gliding Patio Doors, PG Upgrade (60611, 6068)	Class LC-PG40 Size Tested 96" x 82"	40/40	29	23	< 0.2
Hinged Inswing Patio Doors					
Single-Panel	Class LC-PG30 Size Tested 38" x 95"	30/30	32	27	< 0.2
Two-Panel	Class LC-PG30 Size Tested 71" x 95"	30/30	30	24	< 0.2

- *Performance Grade (PG)* ratings may vary from tested performance rating for larger or smaller units of a particular type.
- *Sound Transmission Class (STC)* & *Outdoor/Indoor Transmission Class (OITC)* ratings are for individual units based on independent tests and represent entire unit.
- This data is accurate as of September 2017. Due to ongoing product changes, updated test results, or new industry standards, this data may change over time.
- Where designated, Andersen products are certified and labeled to the requirements of the Hallmark Certification Program. Actual performance may vary based on variations in manufacturing, shipping, installation, environmental conditions and conditions of use.
- Contact your Andersen supplier for more information.

Center of Glass Performance Data for products with **Low-E4® SmartSun™** and **Low-E SmartSun™** Glass

For current performance information please visit andersenwindows.com.

Andersen® Product	VTL ¹	SC ²	SHGC ³	RHG ⁴	Fading		%RH @ Center ⁷	IGST ⁸
					Tuv ⁵	Tdw ⁶		
400 Series Casement/Awning & Tilt-Wash Full-Frame Double-Hung Windows; 200 Series Tilt-Wash & Gliding Windows	66%	0.32	0.28	66	5%	21%	61%	56°F
400 Series Gliding Window, Half Circle, Circle & Oval Windows	66%	0.31	0.27	66	5%	21%	61%	56°F
400 Series Casement/Awning Picture/Transoms, Woodwright® Full-Frame Double-Hung, Picture & Transoms, Woodwright® Insert Double-Hung, Picture & Transoms, Tilt-Wash Full-Frame Picture & Transoms, Tilt-Wash Insert Double-Hung, Picture & Transom Windows; 200 Series Fixed Windows	65%	0.31	0.27	65	5%	21%	61%	56°F
400 Series Elliptical Windows, Frenchwood® Hinged Inswing Patio Doors, Frenchwood® Patio Door Sidelights, Sidelight Transoms & Transoms	65%	0.31	0.27	66	5%	21%	61%	56°F
400 Series Frenchwood® Gliding Patio Doors; 200 Series Narroline® Gliding, Perma-Shield® Gliding & Hinged Inswing Patio Doors	64%	0.32	0.27	66	5%	21%	61%	56°F
400 Series Flexiframe®, Arch & Springline™ Windows	63%	0.31	0.27	65	4%	20%	61%	56°F
Entry Doors, Folding Doors & 400 Series Complementary Curved Top Patio Doors	65%	0.31	0.27	207	5%	21%	61%	56°F

Center of Glass Performance Data for products with **Low-E4®** and **Low-E** Glass

For current performance information please visit andersenwindows.com.

Andersen® Product	VTL ¹	SC ²	SHGC ³	RHG ⁴	Fading		%RH @ Center ⁷	IGST ⁸
					Tuv ⁵	Tdw ⁶		
400 Series Casement/Awning & Tilt-Wash Full-Frame Double-Hung Windows; 200 Series Tilt-Wash & Gliding Windows	73%	0.48	0.42	100	17%	34%	61%	56°F
400 Series Gliding Window, Half Circle, Circle & Oval Windows	73%	0.48	0.42	99	17%	34%	61%	56°F
400 Series Casement/Awning Picture/Transoms, Woodwright® Full-Frame Double-Hung, Picture & Transoms, Woodwright® Insert Double-Hung, Picture & Transoms, Tilt-Wash Full-Frame Picture & Transoms, Tilt-Wash Insert Double-Hung, Picture & Transom Windows; 200 Series Fixed Windows	72%	0.47	0.41	98	16%	33%	61%	56°F
400 Series Elliptical Windows, Frenchwood® Hinged Inswing Patio Doors, Frenchwood® Patio Door Sidelights, Sidelight Transoms & Transoms	72%	0.48	0.41	98	16%	33%	61%	56°F
400 Series Frenchwood® Gliding Patio Doors; 200 Series Narroline® Gliding, Perma-Shield® Gliding & Hinged Inswing Patio Doors	71%	0.47	0.41	98	16%	33%	61%	56°F
400 Series Flexiframe®, Arch & Springline™ Windows	70%	0.46	0.40	95	14%	31%	61%	56°F
Entry Doors, Folding Doors & 400 Series Complementary Curved Top Patio Doors	72%	0.48	0.41	310	16%	33%	61%	56°F

Center of Glass Performance Data for products with **Low-E4® Sun** and **Low-E Sun** Glass

For current performance information please visit andersenwindows.com.

Andersen® Product	VTL ¹	SC ²	SHGC ³	RHG ⁴	Fading		%RH @ Center ⁷	IGST ⁸
					Tuv ⁵	Tdw ⁶		
400 Series Casement/Awning & Tilt-Wash Full-Frame Double-Hung Windows; 200 Series Tilt-Wash & Gliding Windows	40%	0.30	0.26	62	17%	25%	61%	56°F
400 Series Gliding Window, Half Circle, Circle & Oval Windows	40%	0.29	0.26	62	17%	25%	59%	55°F
400 Series Casement/Awning Picture/Transoms, Woodwright® Full-Frame Double-Hung, Picture & Transoms, Woodwright® Insert Double-Hung, Picture & Transoms, Tilt-Wash Full-Frame Picture & Transoms, Tilt-Wash Insert Double-Hung, Picture & Transom Windows; 200 Series Fixed Windows	40%	0.29	0.25	61	16%	24%	59%	55°F
400 Series Elliptical Windows, Frenchwood® Hinged Inswing Patio Doors, Frenchwood® Patio Door Sidelights, Sidelight Transoms & Transoms	40%	0.29	0.25	61	16%	24%	59%	55°F
400 Series Frenchwood® Gliding Patio Doors; 200 Series Narroline® Gliding, Perma-Shield® Gliding & Hinged Inswing Patio Doors	39%	0.29	0.25	61	15%	23%	61%	56°F
400 Series Flexiframe®, Arch & Springline™ Windows	37%	0.28	0.24	59	13%	22%	61%	56°F
Entry Doors, Folding Doors & 400 Series Complementary Curved Top Patio Doors	40%	0.29	0.25	193	16%	24%	59%	55°F

*Low-E4™, "Low-E4" SmartSun™ and "Low-E4" Sun are Andersen trademarks for "Low-E" glass.

• Based on NFRC testing/simulation conditions using Windows v7.4.6.0 and NFRC validated spectral data. 0°F outside temperature, 70°F inside temperature and a 15 mph wind.

1) Visible Light Transmittance (VLT) measures how much light comes through the glass. The higher the value, from 0 to 1, the more daylight the glass lets in. Visible Light Transmittance is measured over the 380 to 760 nanometer portion of the solar spectrum.

2) Shading Coefficient (SC) defines the amount of heat gain through the glass compared to a single lite of clear 1/8" (3) glass.

3) Solar Heat Gain Coefficient (SHGC) defines the fraction of solar radiation admitted through the glass both directly transmitted and absorbed and subsequently released inward. The lower the value, the less heat is transmitted through the glass.

4) Relative Heat Gain (RHG) is the amount of heat gain through a glazing incorporating U-Factor and Solar Heat Gain Coefficient.

5) Transmission Ultra-Violet Energy (Tuv). The transmission of short-wave energy in the 300-380 nanometer portion of the solar spectrum. The energy can cause fabric fading.

6) Transmission Damage Function (Tdw). The transmission of UV and visible light energy in the 300-600 nanometer portion of the solar spectrum. The value includes both the UV and visible light energy that can cause fabric fading. This rating has also been referred to as the Krochmann Damage Function. This rating better predicts fading potential than UV transmission alone. The lower the Damage Function rating, the less transmission of short-wave energy through the glass that can potentially cause fabric fading. Fabric type is also a key component of fading potential.

7) Percent relative humidity before condensation occurs at the center of glass, taken using center of glass temperature.

8) Inside glass surface temperatures are taken at the center of glass.

• This data is accurate as of September 2017. Due to ongoing product changes, updated test results, or new industry standards, this data may change over time. Contact your Andersen supplier for current performance information or upgrade options.

• Contact your Andersen supplier or visit andersenwindows.com/nfrc for total unit performance data on windows and patio doors (including units with patterned glass, patterned glass, tempered glass and capillary breather tubes).

Combination Design, Product Performance, Installation & Warranty

PRODUCT PERFORMANCE

Andersen® NFRC Certified Total Unit Performance – 400 Series

For current performance information please visit andersenwindows.com.

Refer to notes on page 282 for important information on performance data.

Andersen® Product	High Performance Glass Type	U-Factor ¹	SHGC ²	VT ³	
400 Series Casement Windows AND-N-1	Low-E4* w/Heatlock*	Without Grilles	0.29	0.31	0.54
		Simulated Divided Light Grilles	0.29	0.29	0.49
		Finelight™ Grilles	0.30	0.29	0.49
		Full Divided Light Grilles	0.29	0.29	0.49
	Low-E4* w/Heatlock*	Without Grilles	0.25	0.31	0.52
		Simulated Divided Light Grilles	0.25	0.28	0.47
		Finelight™ Grilles	0.26	0.28	0.47
		Full Divided Light Grilles	0.26	0.28	0.47
	Low-E4* Sun	Without Grilles	0.29	0.20	0.30
		Simulated Divided Light Grilles	0.29	0.18	0.27
		Finelight™ Grilles	0.30	0.18	0.27
		Full Divided Light Grilles	0.30	0.18	0.27
Low-E4* SmartSun™	Without Grilles	0.28	0.21	0.48	
	Simulated Divided Light Grilles	0.28	0.19	0.44	
	Finelight™ Grilles	0.29	0.19	0.44	
	Full Divided Light Grilles	0.29	0.19	0.44	
Low-E4* SmartSun™ w/Heatlock*	Without Grilles	0.24	0.21	0.47	
	Simulated Divided Light Grilles	0.24	0.19	0.43	
	Finelight™ Grilles	0.25	0.19	0.43	
	Full Divided Light Grilles	0.26	0.19	0.43	
400 Series Complementary Casement Windows AND-N-107	Low-E4* w/Heatlock*	Without Grilles	0.31	0.28	0.47
		Simulated Divided Light Grilles	0.31	0.25	0.42
		Finelight™ Grilles	0.31	0.25	0.42
		Full Divided Light Grilles	0.31	0.25	0.42
	Low-E4* Sun	Without Grilles	0.27	0.27	0.46
		Simulated Divided Light Grilles	0.27	0.25	0.41
		Finelight™ Grilles	0.27	0.25	0.41
		Full Divided Light Grilles	0.29	0.25	0.41
	Low-E4* SmartSun™	Without Grilles	0.31	0.17	0.26
		Simulated Divided Light Grilles	0.31	0.16	0.23
		Finelight™ Grilles	0.31	0.16	0.23
		Full Divided Light Grilles	0.32	0.16	0.23
Low-E4* SmartSun™ w/Heatlock*	Without Grilles	0.30	0.18	0.42	
	Simulated Divided Light Grilles	0.30	0.17	0.38	
	Finelight™ Grilles	0.30	0.17	0.38	
	Full Divided Light Grilles	0.31	0.17	0.38	
Low-E4* SmartSun™ w/Heatlock*	Without Grilles	0.27	0.18	0.41	
	Simulated Divided Light Grilles	0.27	0.17	0.37	
	Finelight™ Grilles	0.27	0.17	0.37	
	Full Divided Light Grilles	0.28	0.17	0.37	
400 Series Awning Windows AND-N-2	Low-E4* w/Heatlock*	Without Grilles	0.29	0.31	0.53
		Simulated Divided Light Grilles	0.29	0.28	0.48
		Finelight™ Grilles	0.29	0.28	0.48
		Full Divided Light Grilles	0.29	0.28	0.48
	Low-E4* Sun	Without Grilles	0.25	0.30	0.51
		Simulated Divided Light Grilles	0.25	0.28	0.47
		Finelight™ Grilles	0.26	0.28	0.47
		Full Divided Light Grilles	0.26	0.28	0.47
	Low-E4* SmartSun™	Without Grilles	0.29	0.19	0.29
		Simulated Divided Light Grilles	0.29	0.18	0.27
		Finelight™ Grilles	0.30	0.18	0.27
		Full Divided Light Grilles	0.30	0.18	0.27
Low-E4* SmartSun™ w/Heatlock*	Without Grilles	0.28	0.21	0.47	
	Simulated Divided Light Grilles	0.28	0.19	0.43	
	Finelight™ Grilles	0.29	0.19	0.43	
	Full Divided Light Grilles	0.29	0.19	0.43	
Low-E4* SmartSun™ w/Heatlock*	Without Grilles	0.25	0.20	0.46	
	Simulated Divided Light Grilles	0.25	0.19	0.42	
	Finelight™ Grilles	0.25	0.19	0.42	
	Full Divided Light Grilles	0.26	0.19	0.42	
400 Series Casement/Awning Picture/Transom Windows AND-N-54	Low-E4* w/Heatlock*	Without Grilles	0.27	0.34	0.59
		Simulated Divided Light Grilles	0.27	0.31	0.53
		Finelight™ Grilles	0.27	0.31	0.53
		Full Divided Light Grilles	0.28	0.31	0.53
	Low-E4* Sun	Without Grilles	0.22	0.33	0.58
		Simulated Divided Light Grilles	0.22	0.30	0.52
		Finelight™ Grilles	0.22	0.30	0.52
		Full Divided Light Grilles	0.24	0.30	0.52
	Low-E4* SmartSun™	Without Grilles	0.27	0.21	0.32
		Simulated Divided Light Grilles	0.27	0.19	0.29
		Finelight™ Grilles	0.27	0.19	0.29
		Full Divided Light Grilles	0.29	0.19	0.29
Low-E4* SmartSun™ w/Heatlock*	Without Grilles	0.26	0.23	0.53	
	Simulated Divided Light Grilles	0.26	0.21	0.48	
	Finelight™ Grilles	0.26	0.21	0.48	
	Full Divided Light Grilles	0.28	0.21	0.48	
Low-E4* SmartSun™ w/Heatlock*	Without Grilles	0.22	0.22	0.52	
	Simulated Divided Light Grilles	0.22	0.20	0.47	
	Finelight™ Grilles	0.22	0.20	0.47	
	Full Divided Light Grilles	0.24	0.20	0.47	

Andersen® Product	High Performance Glass Type	U-Factor ¹	SHGC ²	VT ³	
400 Series Woodwright® Full-Frame Double-Hung Windows AND-N-66	Low-E4* w/Heatlock*	Without Grilles	0.30	0.30	0.52
		Simulated Divided Light Grilles	0.30	0.27	0.46
		Finelight™ Grilles	0.31	0.27	0.46
		Full Divided Light Grilles	0.31	0.27	0.46
	Low-E4* Sun	Without Grilles	0.26	0.30	0.51
		Simulated Divided Light Grilles	0.26	0.27	0.45
		Finelight™ Grilles	0.27	0.27	0.45
		Full Divided Light Grilles	0.28	0.27	0.45
	Low-E4* SmartSun™	Without Grilles	0.30	0.19	0.28
		Simulated Divided Light Grilles	0.30	0.17	0.25
		Finelight™ Grilles	0.31	0.17	0.25
		Full Divided Light Grilles	0.31	0.17	0.25
Low-E4* SmartSun™ w/Heatlock*	Without Grilles	0.29	0.21	0.47	
	Simulated Divided Light Grilles	0.29	0.19	0.42	
	Finelight™ Grilles	0.30	0.19	0.42	
	Full Divided Light Grilles	0.30	0.19	0.42	
Low-E4* SmartSun™ w/Heatlock*	Without Grilles	0.26	0.20	0.46	
	Simulated Divided Light Grilles	0.26	0.18	0.41	
	Finelight™ Grilles	0.27	0.18	0.41	
	Full Divided Light Grilles	0.27	0.18	0.41	
400 Series Woodwright® Full-Frame Picture Windows AND-N-67	Low-E4* w/Heatlock*	Without Grilles	0.28	0.31	0.53
		Simulated Divided Light Grilles	0.28	0.28	0.48
		Finelight™ Grilles	0.29	0.28	0.48
		Full Divided Light Grilles	0.29	0.29	0.48
	Low-E4* Sun	Without Grilles	0.24	0.30	0.52
		Simulated Divided Light Grilles	0.24	0.27	0.47
		Finelight™ Grilles	0.25	0.27	0.47
		Full Divided Light Grilles	0.26	0.27	0.47
	Low-E4* SmartSun™	Without Grilles	0.28	0.20	0.29
		Simulated Divided Light Grilles	0.28	0.18	0.26
		Finelight™ Grilles	0.29	0.17	0.26
		Full Divided Light Grilles	0.29	0.18	0.26
Low-E4* SmartSun™ w/Heatlock*	Without Grilles	0.27	0.21	0.48	
	Simulated Divided Light Grilles	0.27	0.19	0.43	
	Finelight™ Grilles	0.28	0.19	0.43	
	Full Divided Light Grilles	0.28	0.19	0.43	
Low-E4* SmartSun™ w/Heatlock*	Without Grilles	0.23	0.21	0.47	
	Simulated Divided Light Grilles	0.23	0.19	0.42	
	Finelight™ Grilles	0.24	0.19	0.42	
	Full Divided Light Grilles	0.25	0.19	0.42	
400 Series Woodwright® Full-Frame Transom Windows AND-N-68	Low-E4* w/Heatlock*	Without Grilles	0.28	0.33	0.57
		Simulated Divided Light Grilles	0.28	0.30	0.51
		Finelight™ Grilles	0.28	0.30	0.51
		Full Divided Light Grilles	0.29	0.30	0.51
	Low-E4* Sun	Without Grilles	0.23	0.32	0.56
		Simulated Divided Light Grilles	0.23	0.29	0.50
		Finelight™ Grilles	0.23	0.29	0.50
		Full Divided Light Grilles	0.25	0.29	0.50
	Low-E4* SmartSun™	Without Grilles	0.28	0.20	0.31
		Simulated Divided Light Grilles	0.28	0.18	0.28
		Finelight™ Grilles	0.28	0.18	0.28
		Full Divided Light Grilles	0.29	0.18	0.28
Low-E4* SmartSun™ w/Heatlock*	Without Grilles	0.27	0.22	0.51	
	Simulated Divided Light Grilles	0.27	0.20	0.46	
	Finelight™ Grilles	0.27	0.20	0.46	
	Full Divided Light Grilles	0.28	0.20	0.46	
Low-E4* SmartSun™ w/Heatlock*	Without Grilles	0.23	0.22	0.50	
	Simulated Divided Light Grilles	0.23	0.20	0.45	
	Finelight™ Grilles	0.23	0.20	0.45	
	Full Divided Light Grilles	0.25	0.20	0.45	
400 Series Woodwright® Insert Double-Hung Windows AND-N-74	Low-E4* w/Heatlock*	Without Grilles	0.30	0.31	0.53
		Simulated Divided Light Grilles	0.30	0.28	0.47
		Finelight™ Grilles	0.31	0.28	0.47
		Full Divided Light Grilles	0.31	0.28	0.47
	Low-E4* Sun	Without Grilles	0.27	0.30	0.52
		Simulated Divided Light Grilles	0.27	0.27	0.46
		Finelight™ Grilles	0.27	0.27	0.46
		Full Divided Light Grilles	0.28	0.27	0.46
	Low-E4* SmartSun™	Without Grilles	0.31	0.19	0.29
		Simulated Divided Light Grilles	0.31	0.17	0.26
		Finelight™ Grilles	0.32	0.17	0.26
		Full Divided Light Grilles	0.32	0.17	0.26
Low-E4* SmartSun™ w/Heatlock*	Without Grilles	0.30	0.21	0.48	
	Simulated Divided Light Grilles	0.30	0.19	0.42	
	Finelight™ Grilles	0.31	0.19	0.42	
	Full Divided Light Grilles	0.31	0.19	0.42	
Low-E4* SmartSun™ w/Heatlock*	Without Grilles	0.26	0.20	0.46	
	Simulated Divided Light Grilles	0.26	0.18	0.41	
	Finelight™ Grilles	0.27	0.18	0.41	
	Full Divided Light Grilles	0.28	0.18	0.41	

* This data is accurate as of September 2017. Due to ongoing product changes, updated test results, or new industry standards or requirements, this data may change over time. Ratings are for sizes specified by NFRC for testing and certification. Ratings may vary depending on use of tempered glass, different grille options, glass for high altitudes, etc.

continued on next page

Andersen® NFRC Certified Total Unit Performance – 400 Series (continued)
 For current performance information please visit andersenwindows.com.

Refer to notes on page 282 for important information on performance data.

Andersen® Product	High Performance Glass Type	U-Factor ¹	SHGC ²	VT ³		
400 Series Woodwright® Insert Picture Windows AND-N-77	Low-E ⁴ *	Without Grilles	0.29	0.32	0.54	
		Simulated Divided Light Grilles	0.29	0.29	0.48	
		Finelight™ Grilles	0.30	0.28	0.48	
		Full Divided Light Grilles	0.30	0.29	0.48	
	Low-E ⁴ * w/Heatlock®	Without Grilles	0.25	0.30	0.52	
		Simulated Divided Light Grilles	-	-	-	
		Finelight™ Grilles	0.26	0.27	0.47	
	Low-E ⁴ * Sun	Without Grilles	0.27	0.27	0.47	
		Simulated Divided Light Grilles	0.29	0.20	0.29	
		Finelight™ Grilles	0.29	0.18	0.26	
	Low-E ⁴ * SmartSun™	Without Grilles	0.30	0.18	0.26	
		Simulated Divided Light Grilles	0.29	0.18	0.26	
		Finelight™ Grilles	0.30	0.18	0.26	
	Low-E ⁴ * SmartSun™ w/Heatlock®	Without Grilles	0.28	0.22	0.48	
		Simulated Divided Light Grilles	0.28	0.20	0.43	
		Finelight™ Grilles	0.29	0.20	0.43	
400 Series Woodwright® Insert Transom Windows AND-N-78	Low-E ⁴ *	Without Grilles	0.28	0.22	0.48	
		Simulated Divided Light Grilles	0.28	0.20	0.43	
		Finelight™ Grilles	0.29	0.20	0.43	
		Full Divided Light Grilles	0.30	0.19	0.43	
	Low-E ⁴ * w/Heatlock®	Without Grilles	0.24	0.21	0.47	
		Simulated Divided Light Grilles	-	-	-	
		Finelight™ Grilles	0.25	0.19	0.42	
	Low-E ⁴ * Sun	Without Grilles	0.26	0.19	0.42	
		Simulated Divided Light Grilles	0.29	0.33	0.56	
		Finelight™ Grilles	0.29	0.30	0.50	
	Low-E ⁴ * SmartSun™	Without Grilles	0.29	0.30	0.50	
		Simulated Divided Light Grilles	0.30	0.30	0.50	
		Finelight™ Grilles	0.30	0.30	0.50	
	400 Series Woodwright® Curved Top Double-Hung Windows AND-N-111	Low-E ⁴ *	Without Grilles	0.24	0.32	0.55
			Simulated Divided Light Grilles	-	-	-
			Finelight™ Grilles	0.24	0.29	0.49
Full Divided Light Grilles			0.26	0.29	0.49	
Low-E ⁴ * w/Heatlock®		Without Grilles	0.29	0.20	0.31	
		Simulated Divided Light Grilles	0.29	0.18	0.27	
		Finelight™ Grilles	0.29	0.18	0.27	
Low-E ⁴ * Sun		Without Grilles	0.31	0.18	0.27	
		Simulated Divided Light Grilles	0.29	0.18	0.27	
		Finelight™ Grilles	0.31	0.18	0.27	
Low-E ⁴ * SmartSun™		Without Grilles	0.28	0.22	0.50	
		Simulated Divided Light Grilles	0.28	0.20	0.45	
		Finelight™ Grilles	0.28	0.20	0.45	
Low-E ⁴ * SmartSun™ w/Heatlock®		Without Grilles	0.30	0.20	0.45	
		Simulated Divided Light Grilles	0.24	0.21	0.49	
		Finelight™ Grilles	0.24	0.21	0.49	
400 Series Woodwright® Full-Frame Double-Hung Windows AND-N-24	Low-E ⁴ *	Without Grilles	0.28	0.30	0.52	
		Simulated Divided Light Grilles	0.28	0.27	0.46	
		Finelight™ Grilles	0.29	0.27	0.46	
		Full Divided Light Grilles	0.29	0.27	0.46	
	Low-E ⁴ * w/Heatlock®	Without Grilles	0.24	0.30	0.51	
		Simulated Divided Light Grilles	0.25	0.27	0.45	
		Finelight™ Grilles	0.25	0.27	0.45	
	Low-E ⁴ * Sun	Without Grilles	0.26	0.27	0.45	
		Simulated Divided Light Grilles	0.26	0.27	0.45	
		Finelight™ Grilles	0.26	0.27	0.45	
	Low-E ⁴ * SmartSun™	Without Grilles	0.28	0.19	0.29	
		Simulated Divided Light Grilles	0.28	0.17	0.26	
		Finelight™ Grilles	0.29	0.17	0.26	
	Low-E ⁴ * SmartSun™ w/Heatlock®	Without Grilles	0.29	0.17	0.26	
		Simulated Divided Light Grilles	0.28	0.20	0.47	
		Finelight™ Grilles	0.28	0.18	0.42	
400 Series Tilt-Wash Full-Frame Double-Hung Windows AND-N-132	Low-E ⁴ *	Without Grilles	0.29	0.18	0.42	
		Simulated Divided Light Grilles	0.29	0.18	0.42	
		Finelight™ Grilles	0.29	0.18	0.42	
		Full Divided Light Grilles	0.29	0.18	0.42	
	Low-E ⁴ * w/Heatlock®	Without Grilles	0.24	0.20	0.46	
		Simulated Divided Light Grilles	0.24	0.18	0.41	
		Finelight™ Grilles	0.25	0.18	0.41	
	Low-E ⁴ * Sun	Without Grilles	0.26	0.18	0.41	
		Simulated Divided Light Grilles	0.30	0.31	0.53	
		Finelight™ Grilles	0.30	0.28	0.47	
	Low-E ⁴ * SmartSun™	Without Grilles	0.30	0.28	0.47	
		Simulated Divided Light Grilles	0.31	0.28	0.42	
		Finelight™ Grilles	0.31	0.28	0.42	
	400 Series Tilt-Wash Full-Frame Picture Windows AND-N-27	Low-E ⁴ *	Without Grilles	0.27	0.30	0.52
			Simulated Divided Light Grilles	0.27	0.27	0.46
			Finelight™ Grilles	0.27	0.27	0.46
Full Divided Light Grilles			0.28	0.27	0.46	
Low-E ⁴ * w/Heatlock®		Without Grilles	0.31	0.19	0.29	
		Simulated Divided Light Grilles	0.30	0.17	0.26	
		Finelight™ Grilles	0.30	0.17	0.26	
Low-E ⁴ * Sun		Without Grilles	0.31	0.17	0.26	
		Simulated Divided Light Grilles	0.30	0.21	0.48	
		Finelight™ Grilles	0.29	0.19	0.42	
Low-E ⁴ * SmartSun™		Without Grilles	0.31	0.19	0.42	
		Simulated Divided Light Grilles	0.29	0.19	0.42	
		Finelight™ Grilles	0.29	0.19	0.42	
400 Series Tilt-Wash Full-Frame Transom Windows AND-N-76		Low-E ⁴ *	Without Grilles	0.26	0.20	0.46
			Simulated Divided Light Grilles	0.26	0.18	0.42
			Finelight™ Grilles	0.26	0.18	0.42
	Full Divided Light Grilles		0.26	0.18	0.42	
	Low-E ⁴ * w/Heatlock®	Without Grilles	0.31	0.28	0.48	
		Simulated Divided Light Grilles	0.31	0.28	0.48	
		Finelight™ Grilles	0.31	0.28	0.48	
	Low-E ⁴ * Sun	Without Grilles	0.31	0.28	0.48	
		Simulated Divided Light Grilles	0.31	0.28	0.48	
		Finelight™ Grilles	0.31	0.28	0.48	
	Low-E ⁴ * SmartSun™	Without Grilles	0.31	0.28	0.48	
		Simulated Divided Light Grilles	0.31	0.28	0.48	
		Finelight™ Grilles	0.31	0.28	0.48	
	400 Series Tilt-Wash Full-Frame Conversion Kit AND-N-101	Low-E ⁴ *	Without Grilles	0.28	0.22	0.50
			Simulated Divided Light Grilles	0.28	0.20	0.45
			Finelight™ Grilles	0.28	0.20	0.45
Full Divided Light Grilles			0.30	0.20	0.45	
Low-E ⁴ * w/Heatlock®		Without Grilles	0.22	0.21	0.48	
		Simulated Divided Light Grilles	0.22	0.19	0.43	
		Finelight™ Grilles	0.22	0.19	0.43	
Low-E ⁴ * Sun		Without Grilles	0.25	0.19	0.44	
		Simulated Divided Light Grilles	0.22	0.19	0.43	
		Finelight™ Grilles	0.22	0.19	0.43	
Low-E ⁴ * SmartSun™		Without Grilles	0.25	0.19	0.44	
		Simulated Divided Light Grilles	0.22	0.19	0.43	
		Finelight™ Grilles	0.22	0.19	0.43	
400 Series Tilt-Wash Insert Double-Hung Windows AND-N-122		Low-E ⁴ *	Without Grilles	0.30	0.31	0.53
			Simulated Divided Light Grilles	0.30	0.28	0.47
			Finelight™ Grilles	0.30	0.28	0.47
	Full Divided Light Grilles		0.31	0.28	0.42	
	Low-E ⁴ * w/Heatlock®	Without Grilles	0.27	0.30	0.52	
		Simulated Divided Light Grilles	0.27	0.27	0.46	
		Finelight™ Grilles	0.27	0.27	0.46	
	Low-E ⁴ * Sun	Without Grilles	0.28	0.27	0.46	
		Simulated Divided Light Grilles	0.28	0.27	0.46	
		Finelight™ Grilles	0.28	0.27	0.46	
	Low-E ⁴ * SmartSun™	Without Grilles	0.31	0.19	0.29	
		Simulated Divided Light Grilles	0.30	0.17	0.26	
		Finelight™ Grilles	0.30	0.17	0.26	
	Low-E ⁴ * SmartSun™ w/Heatlock®	Without Grilles	0.31	0.17	0.26	
		Simulated Divided Light Grilles	0.30	0.21	0.48	
		Finelight™ Grilles	0.29	0.19	0.42	
400 Series Tilt-Wash Full-Frame Picture Windows AND-N-27	Low-E ⁴ *	Without Grilles	0.30	0.21	0.48	
		Simulated Divided Light Grilles	0.29	0.19	0.42	
		Finelight™ Grilles	0.29	0.19	0.42	
		Full Divided Light Grilles	0.31	0.19	0.42	
	Low-E ⁴ * w/Heatlock®	Without Grilles	0.26	0.20	0.46	
		Simulated Divided Light Grilles	0.26	0.18	0.41	
		Finelight™ Grilles	0.27	0.18	0.41	
	Low-E ⁴ * Sun	Without Grilles	0.30	0.31	0.53	
		Simulated Divided Light Grilles	0.30	0.28	0.47	
		Finelight™ Grilles	0.30	0.28	0.47	
	Low-E ⁴ * SmartSun™	Without Grilles	0.31	0.28	0.42	
		Simulated Divided Light Grilles	0.31	0.28	0.42	
		Finelight™ Grilles	0.31	0.28	0.42	
	400 Series Tilt-Wash Full-Frame Transom Windows AND-N-76	Low-E ⁴ *	Without Grilles	0.27	0.32	0.55
			Simulated Divided Light Grilles	0.27	0.29	0.49
			Finelight™ Grilles	0.27	0.29	0.49
Full Divided Light Grilles			0.28	0.29	0.49	
Low-E ⁴ * w/Heatlock®		Without Grilles	0.23	0.31	0.54	
		Simulated Divided Light Grilles	0.23	0.28	0.48	
		Finelight™ Grilles	0.23	0.28	0.48	
Low-E ⁴ * Sun		Without Grilles	0.25	0.28	0.48	
		Simulated Divided Light Grilles	0.27	0.18	0.27	
		Finelight™ Grilles	0.27	0.18	0.27	
Low-E ⁴ * SmartSun™		Without Grilles	0.27	0.18	0.27	
		Simulated Divided Light Grilles	0.29	0.18	0.27	
		Finelight™ Grilles	0.29	0.18	0.27	
400 Series Tilt-Wash Full-Frame Conversion Kit AND-N-101		Low-E ⁴ *	Without Grilles	0.26	0.21	0.49
			Simulated Divided Light Grilles	0.26	0.19	0.44
			Finelight™ Grilles	0.26	0.19	0.44
	Full Divided Light Grilles		0.28	0.19	0.44	
	Low-E ⁴ * w/Heatlock®	Without Grilles	0.22	0.21	0.48	
		Simulated Divided Light Grilles	0.22	0.19	0.43	
		Finelight™ Grilles	0.22	0.19	0.43	
	Low-E ⁴ * Sun	Without Grilles	0.25	0.19	0.43	
		Simulated Divided Light Grilles	0.22	0.19	0.43	
		Finelight™ Grilles	0.22	0.19	0.43	
	Low-E ⁴ * SmartSun™	Without Grilles	0.25	0.19	0.43	
		Simulated Divided Light Grilles	0.22	0.19	0.43	
		Finelight™ Grilles	0.22	0.19	0.43	
	400 Series Tilt-Wash Insert Double-Hung Windows AND-N-122	Low-E ⁴ *	Without Grilles	0.30	0.31	0.53
			Simulated Divided Light Grilles	0.31	0.28	0.42
			Finelight™ Grilles	0.31	0.28	0.42
Full Divided Light Grilles			0.31	0.28	0.42	
Low-E ⁴ * w/Heatlock®		Without Grilles	0.27	0.31	0.52	
		Simulated Divided Light Grilles	0.27	0.28	0.46	
		Finelight™ Grilles	0.27	0.28	0.46	
Low-E ⁴ * Sun		Without Grilles	0.28	0.28	0.46	
		Simulated Divided Light Grilles	0.29	0.28	0.46	
		Finelight™ Grilles	0.29	0.28	0.46	
Low-E ⁴ * SmartSun™		Without Grilles	0.31	0.19	0.29	
		Simulated Divided Light Grilles	0.31	0.18	0.26	
		Finelight™ Grilles	0.33	0.18	0.26	
Low-E ⁴ * SmartSun™ w/Heatlock®		Without Grilles	0.32	0.18	0.26	
		Simulated Divided Light Grilles	0.32	0.18	0.26	
		Finelight™ Grilles	0.32	0.18	0.26	
400 Series Tilt-Wash Full-Frame Picture Windows AND-N-27	Low-E ⁴ *	Without Grilles	0.30	0.21	0.48	
		Simulated Divided Light Grilles	0.30	0.19	0.42	
		Finelight™ Grilles	0.32	0.19	0.43	
		Full Divided Light Grilles	0.31	0.19	0.43	
	Low-E ⁴ * w/Heatlock®	Without Grilles	0.27	0.20	0.47	
		Simulated Divided Light Grilles	0.27	0.19	0.42	
		Finelight™ Grilles	0.27	0.19	0.42	
	Low-E ⁴ * Sun	Without Grilles	0.31	0.19	0.42	
		Simulated Divided Light Grilles	0.30	0.21	0.48	
		Finelight™ Grilles	0.30	0.19	0.42	
	Low-E ⁴ * SmartSun™	Without Grilles	0.31	0.19	0.42	
		Simulated Divided Light Grilles	0.30	0.19	0.42	
		Finelight™ Grilles	0.32	0.19	0.43	
	400 Series Tilt-Wash Full-Frame Transom Windows AND-N-76	Low-E ⁴ *	Without Grilles	0.27	0.32	0.55
			Simulated Divided Light Grilles	0.27	0.29	0.49
			Finelight™ Grilles	0.27	0.29	0.49
Full Divided Light Grilles			0.28	0.29	0.49	
Low-E ⁴ * w/Heatlock®		Without Grilles	0.23	0.31	0.54	
		Simulated Divided Light Grilles	0.23	0.28	0.48	
		Finelight™ Grilles	0.23	0.28	0.48	
Low-E ⁴ * Sun		Without Grilles	0.25	0.28	0.48	
		Simulated Divided Light Grilles	0.27	0.18	0.27	
		Finelight™ Grilles	0.27	0.18	0.27	
Low-E ⁴ * SmartSun™		Without Grilles	0.27	0.18	0.27	
		Simulated Divided Light Grilles	0.29	0.18	0.27	
		Finelight™ Grilles	0.29	0.18	0.27	
400 Series Tilt-Wash Full-Frame Conversion Kit AND-N-101		Low-E ⁴ *	Without Grilles	0.26	0.21	

PRODUCT PERFORMANCE

Andersen® NFRC Certified Total Unit Performance – 400 Series (continued)
 For current performance information please visit andersenwindows.com.

Refer to notes on page 282 for important information on performance data.

Andersen® Product	High Performance Glass Type	U-Factor ¹	SHGC ²	VT ³		
400 Series Tilt-Wash Insert Picture Windows AND-N-133	Low-E4* w/Heatlock*	Without Grilles	0.29	0.32	0.54	
		Simulated Divided Light Grilles	0.29	0.29	0.48	
		Finelight™ Grilles	0.30	0.28	0.48	
		Full Divided Light Grilles	0.30	0.29	0.48	
	Low-E4* w/Heatlock*	Without Grilles	0.25	0.30	0.52	
		Simulated Divided Light Grilles	-	-	-	
		Finelight™ Grilles	0.26	0.27	0.47	
		Full Divided Light Grilles	0.27	0.27	0.47	
	Low-E4* Sun	Without Grilles	0.29	0.20	0.29	
		Simulated Divided Light Grilles	0.29	0.18	0.26	
		Finelight™ Grilles	0.30	0.18	0.26	
		Full Divided Light Grilles	0.31	0.18	0.26	
	Low-E4* SmartSun™	Without Grilles	0.28	0.22	0.48	
		Simulated Divided Light Grilles	0.28	0.20	0.43	
		Finelight™ Grilles	0.29	0.20	0.43	
		Full Divided Light Grilles	0.30	0.19	0.43	
	Low-E4* SmartSun™ w/Heatlock*	Without Grilles	0.24	0.21	0.47	
		Simulated Divided Light Grilles	-	-	-	
		Finelight™ Grilles	0.25	0.19	0.42	
		Full Divided Light Grilles	0.26	0.19	0.42	
	400 Series Tilt-Wash Insert Transom Windows AND-N-134	Low-E4* w/Heatlock*	Without Grilles	0.29	0.33	0.56
			Simulated Divided Light Grilles	0.29	0.30	0.50
			Finelight™ Grilles	0.29	0.30	0.50
			Full Divided Light Grilles	0.30	0.30	0.50
Low-E4* w/Heatlock*		Without Grilles	0.24	0.32	0.55	
		Simulated Divided Light Grilles	-	-	-	
		Finelight™ Grilles	0.24	0.29	0.49	
		Full Divided Light Grilles	0.27	0.29	0.49	
Low-E4* Sun		Without Grilles	0.29	0.20	0.31	
		Simulated Divided Light Grilles	0.29	0.18	0.27	
		Finelight™ Grilles	0.29	0.18	0.27	
		Full Divided Light Grilles	0.31	0.18	0.27	
Low-E4* SmartSun™		Without Grilles	0.28	0.22	0.50	
		Simulated Divided Light Grilles	0.28	0.20	0.45	
		Finelight™ Grilles	0.28	0.20	0.45	
		Full Divided Light Grilles	0.30	0.20	0.45	
Low-E4* SmartSun™ w/Heatlock*		Without Grilles	0.24	0.21	0.49	
		Simulated Divided Light Grilles	-	-	-	
		Finelight™ Grilles	0.24	0.19	0.44	
		Full Divided Light Grilles	0.26	0.19	0.44	
400 Series Gliding Windows AND-N-19		Low-E4* w/Heatlock*	Without Grilles	0.30	0.29	0.49
			Simulated Divided Light Grilles	0.30	0.26	0.43
			Finelight™ Grilles	0.30	0.26	0.43
			Full Divided Light Grilles	0.31	0.26	0.43
	Low-E4* w/Heatlock*	Without Grilles	0.26	0.28	0.48	
		Simulated Divided Light Grilles	0.26	0.25	0.42	
		Finelight™ Grilles	0.26	0.25	0.42	
		Full Divided Light Grilles	0.28	0.25	0.42	
	Low-E4* Sun	Without Grilles	0.30	0.18	0.27	
		Simulated Divided Light Grilles	0.30	0.16	0.24	
		Finelight™ Grilles	0.30	0.16	0.24	
		Full Divided Light Grilles	0.31	0.16	0.24	
	Low-E4* SmartSun™	Without Grilles	0.29	0.19	0.44	
		Simulated Divided Light Grilles	0.29	0.17	0.39	
		Finelight™ Grilles	0.29	0.17	0.39	
		Full Divided Light Grilles	0.31	0.17	0.39	
	Low-E4* SmartSun™ w/Heatlock*	Without Grilles	0.26	0.19	0.43	
		Simulated Divided Light Grilles	0.26	0.17	0.38	
		Finelight™ Grilles	0.26	0.17	0.38	
		Full Divided Light Grilles	0.28	0.17	0.38	
	400 Series Elliptical Windows AND-N-16	Low-E4* w/Heatlock*	Without Grilles	0.27	0.34	0.59
			Simulated Divided Light Grilles	0.27	0.31	0.53
			Finelight™ Grilles	0.29	0.31	0.53
			Full Divided Light Grilles	0.29	0.31	0.53
Low-E4* w/Heatlock*		Without Grilles	0.23	0.34	0.58	
		Simulated Divided Light Grilles	0.23	0.30	0.52	
		Finelight™ Grilles	0.23	0.30	0.52	
		Full Divided Light Grilles	0.25	0.30	0.52	
Low-E4* Sun		Without Grilles	0.28	0.21	0.33	
		Simulated Divided Light Grilles	0.28	0.19	0.29	
		Finelight™ Grilles	0.29	0.19	0.29	
		Full Divided Light Grilles	0.29	0.19	0.29	
Low-E4* SmartSun™		Without Grilles	0.26	0.23	0.53	
		Simulated Divided Light Grilles	0.26	0.20	0.48	
		Finelight™ Grilles	0.28	0.20	0.48	
		Full Divided Light Grilles	0.28	0.20	0.48	
Low-E4* SmartSun™ w/Heatlock*		Without Grilles	0.22	0.22	0.52	
		Simulated Divided Light Grilles	0.22	0.20	0.46	
		Finelight™ Grilles	0.22	0.20	0.46	
		Full Divided Light Grilles	0.25	0.20	0.46	

Andersen® Product	High Performance Glass Type	U-Factor ¹	SHGC ²	VT ³		
400 Series Half Circle Windows Casement AND-N-147	Low-E4* w/Heatlock*	Without Grilles	0.27	0.35	0.60	
		Simulated Divided Light Grilles	0.27	0.32	0.53	
		Finelight™ Grilles	0.27	0.32	0.53	
		Full Divided Light Grilles	0.28	0.32	0.53	
	Low-E4* w/Heatlock*	Without Grilles	0.22	0.34	0.58	
		Simulated Divided Light Grilles	0.22	0.31	0.52	
		Finelight™ Grilles	0.22	0.31	0.52	
		Full Divided Light Grilles	0.25	0.31	0.52	
	Low-E4* Sun	Without Grilles	0.27	0.21	0.33	
		Simulated Divided Light Grilles	0.27	0.19	0.30	
		Finelight™ Grilles	0.27	0.19	0.30	
		Full Divided Light Grilles	0.29	0.19	0.30	
	Low-E4* SmartSun™	Without Grilles	0.26	0.23	0.54	
		Simulated Divided Light Grilles	0.26	0.21	0.48	
		Finelight™ Grilles	0.26	0.21	0.48	
		Full Divided Light Grilles	0.28	0.21	0.48	
	Low-E4* SmartSun™ w/Heatlock*	Without Grilles	0.22	0.22	0.53	
		Simulated Divided Light Grilles	0.22	0.20	0.47	
		Finelight™ Grilles	0.22	0.20	0.47	
		Full Divided Light Grilles	0.24	0.20	0.47	
	400 Series Circle & Oval Windows AND-N-148	Low-E4* w/Heatlock*	Without Grilles	0.27	0.35	0.60
			Simulated Divided Light Grilles	0.27	0.32	0.53
			Finelight™ Grilles	0.27	0.32	0.53
			Full Divided Light Grilles	0.28	0.32	0.53
Low-E4* w/Heatlock*		Without Grilles	0.23	0.34	0.58	
		Simulated Divided Light Grilles	0.23	0.31	0.52	
		Finelight™ Grilles	0.23	0.31	0.52	
		Full Divided Light Grilles	0.25	0.31	0.52	
Low-E4* Sun		Without Grilles	0.27	0.21	0.33	
		Simulated Divided Light Grilles	0.27	0.19	0.30	
		Finelight™ Grilles	0.27	0.19	0.30	
		Full Divided Light Grilles	0.29	0.19	0.30	
Low-E4* SmartSun™		Without Grilles	0.26	0.23	0.54	
		Simulated Divided Light Grilles	0.26	0.21	0.48	
		Finelight™ Grilles	0.26	0.21	0.48	
		Full Divided Light Grilles	0.28	0.21	0.48	
Low-E4* SmartSun™ w/Heatlock*		Without Grilles	0.22	0.22	0.53	
		Simulated Divided Light Grilles	0.22	0.20	0.47	
		Finelight™ Grilles	0.22	0.20	0.47	
		Full Divided Light Grilles	0.24	0.20	0.47	
400 Series Arch Windows AND-N-18		Low-E4* w/Heatlock*	Without Grilles	0.28	0.33	0.58
			Simulated Divided Light Grilles	0.28	0.30	0.52
			Finelight™ Grilles	0.28	0.30	0.52
			Full Divided Light Grilles	0.29	0.30	0.52
	Low-E4* w/Heatlock*	Without Grilles	0.23	0.32	0.56	
		Simulated Divided Light Grilles	0.23	0.29	0.50	
		Finelight™ Grilles	0.23	0.29	0.50	
		Full Divided Light Grilles	0.25	0.29	0.50	
	Low-E4* Sun	Without Grilles	0.28	0.20	0.31	
		Simulated Divided Light Grilles	0.28	0.18	0.28	
		Finelight™ Grilles	0.28	0.18	0.28	
		Full Divided Light Grilles	0.29	0.18	0.28	
	Low-E4* SmartSun™	Without Grilles	0.27	0.23	0.52	
		Simulated Divided Light Grilles	0.27	0.21	0.46	
		Finelight™ Grilles	0.27	0.21	0.46	
		Full Divided Light Grilles	0.28	0.21	0.46	
	Low-E4* SmartSun™ w/Heatlock*	Without Grilles	0.23	0.22	0.51	
		Simulated Divided Light Grilles	0.23	0.20	0.45	
		Finelight™ Grilles	0.23	0.20	0.45	
		Full Divided Light Grilles	0.25	0.20	0.45	
	400 Series Springline™ Windows AND-N-25	Low-E4* w/Heatlock*	Without Grilles	0.30	0.33	0.57
			Simulated Divided Light Grilles	0.30	0.30	0.51
			Finelight™ Grilles	0.30	0.30	0.51
			Full Divided Light Grilles	0.32	0.30	0.51
Low-E4* w/Heatlock*		Without Grilles	0.26	0.32	0.56	
		Simulated Divided Light Grilles	0.26	0.29	0.50	
		Finelight™ Grilles	0.26	0.29	0.50	
		Full Divided Light Grilles	0.28	0.29	0.50	
Low-E4* Sun		Without Grilles	0.31	0.20	0.31	
		Simulated Divided Light Grilles	0.31	0.18	0.27	
		Finelight™ Grilles	0.31	0.18	0.27	
		Full Divided Light Grilles	0.32	0.18	0.27	
Low-E4* SmartSun™		Without Grilles	0.30	0.23	0.51	
		Simulated Divided Light Grilles	0.30	0.21	0.46	
		Finelight™ Grilles	0.30	0.21	0.46	
		Full Divided Light Grilles	0.31	0.21	0.46	
Low-E4* SmartSun™ w/Heatlock*		Without Grilles	0.25	0.22	0.50	
		Simulated Divided Light Grilles	0.25	0.20	0.45	
		Finelight™ Grilles	0.25	0.20	0.45	
		Full Divided Light Grilles	0.28	0.20	0.45	

* This data is accurate as of September 2017. Due to ongoing product changes, updated test results, or new industry standards or requirements, this data may change over time. Ratings are for sizes specified by NFRC for testing and certification. Ratings may vary depending on use of tempered glass, different grille options, glass for high altitudes, etc.

continued on next page

Andersen® NFRC Certified Total Unit Performance – 400 Series (continued)
For current performance information please visit andersenwindows.com.

Refer to notes on page 282 for important information on performance data.

Andersen® Product	High Performance Glass Type	U-Factor ¹	SHGC ²	VT ³	
400 Series Flexiframe® Windows AND-N-17	Low-E4* w/Heatlock®	Without Grilles	0.27	0.33	0.58
		Simulated Divided Light Grilles	0.27	0.30	0.52
		Finelight™ Grilles	0.27	0.30	0.52
		Full Divided Light Grilles	0.28	0.30	0.52
	Low-E4* w/Heatlock®	Without Grilles	0.22	0.32	0.56
		Simulated Divided Light Grilles	0.22	0.29	0.50
		Finelight™ Grilles	0.22	0.29	0.50
		Full Divided Light Grilles	0.25	0.29	0.50
	Low-E4* Sun	Without Grilles	0.27	0.20	0.31
		Simulated Divided Light Grilles	0.27	0.18	0.28
		Finelight™ Grilles	0.27	0.18	0.28
		Full Divided Light Grilles	0.28	0.18	0.28
	Low-E4* SmartSun™	Without Grilles	0.26	0.23	0.52
		Simulated Divided Light Grilles	0.26	0.21	0.46
		Finelight™ Grilles	0.26	0.21	0.46
		Full Divided Light Grilles	0.27	0.21	0.46
	Low-E4* SmartSun™ w/Heatlock®	Without Grilles	0.22	0.22	0.51
		Simulated Divided Light Grilles	0.22	0.20	0.45
		Finelight™ Grilles	0.22	0.20	0.45
		Full Divided Light Grilles	0.24	0.20	0.45
400 Series Complementary Specialty Windows 400 Series Casement, Awning, Picture Windows AND-N-105	Low-E4* w/Heatlock®	Without Grilles	0.29	0.35	0.61
		Simulated Divided Light Grilles	0.29	0.32	0.55
		Finelight™ Grilles	0.29	0.32	0.55
		Full Divided Light Grilles	0.30	0.32	0.55
	Low-E4* w/Heatlock®	Without Grilles	0.24	0.35	0.60
		Simulated Divided Light Grilles	0.24	0.31	0.54
		Finelight™ Grilles	0.24	0.31	0.54
		Full Divided Light Grilles	0.27	0.31	0.54
	Low-E4* Sun	Without Grilles	0.29	0.22	0.34
		Simulated Divided Light Grilles	0.29	0.20	0.30
		Finelight™ Grilles	0.29	0.20	0.30
		Full Divided Light Grilles	0.30	0.20	0.30
	Low-E4* SmartSun™	Without Grilles	0.28	0.23	0.55
		Simulated Divided Light Grilles	0.28	0.21	0.49
		Finelight™ Grilles	0.28	0.21	0.49
		Full Divided Light Grilles	0.29	0.21	0.49
	Low-E4* SmartSun™ w/Heatlock®	Without Grilles	0.24	0.23	0.54
		Simulated Divided Light Grilles	0.24	0.21	0.48
		Finelight™ Grilles	0.24	0.21	0.48
		Full Divided Light Grilles	0.27	0.21	0.48
400 Series Complementary Specialty Windows 400 Series Double-Hung Windows & Patio Doors AND-N-105	Low-E4* w/Heatlock®	Without Grilles	0.28	0.37	0.64
		Simulated Divided Light Grilles	0.28	0.33	0.57
		Finelight™ Grilles	0.28	0.33	0.57
		Full Divided Light Grilles	0.29	0.33	0.57
	Low-E4* w/Heatlock®	Without Grilles	0.23	0.36	0.62
		Simulated Divided Light Grilles	0.23	0.33	0.56
		Finelight™ Grilles	0.23	0.33	0.56
		Full Divided Light Grilles	0.26	0.33	0.56
	Low-E4* Sun	Without Grilles	0.28	0.22	0.35
		Simulated Divided Light Grilles	0.28	0.20	0.32
		Finelight™ Grilles	0.28	0.20	0.32
		Full Divided Light Grilles	0.29	0.20	0.32
	Low-E4* SmartSun™	Without Grilles	0.27	0.24	0.57
		Simulated Divided Light Grilles	0.27	0.22	0.51
		Finelight™ Grilles	0.27	0.22	0.51
		Full Divided Light Grilles	0.28	0.22	0.51
	Low-E4* SmartSun™ w/Heatlock®	Without Grilles	0.23	0.24	0.56
		Simulated Divided Light Grilles	0.23	0.22	0.50
		Finelight™ Grilles	0.23	0.22	0.50
		Full Divided Light Grilles	0.26	0.22	0.50
400 Series Frenchwood® Gliding Patio Doors TwPanel AND-N-6	Low-E4* w/Heatlock®	Without Grilles	0.30	0.26	0.44
		Simulated Divided Light Grilles	0.30	0.23	0.38
		Finelight™ Grilles	0.32	0.23	0.38
		Full Divided Light Grilles	0.32	0.23	0.38
	Low-E4* w/Heatlock®	Without Grilles	0.27	0.25	0.43
		Simulated Divided Light Grilles	0.27	0.22	0.37
		Finelight™ Grilles	0.27	0.22	0.37
		Full Divided Light Grilles	0.29	0.22	0.37
	Low-E4* Sun	Without Grilles	0.31	0.16	0.24
		Simulated Divided Light Grilles	0.31	0.14	0.21
		Finelight™ Grilles	0.32	0.14	0.21
		Full Divided Light Grilles	0.32	0.14	0.21
	Low-E4* SmartSun™	Without Grilles	0.30	0.18	0.39
		Simulated Divided Light Grilles	0.30	0.16	0.34
		Finelight™ Grilles	0.31	0.16	0.34
		Full Divided Light Grilles	0.31	0.16	0.34
	Low-E4* SmartSun™ w/Heatlock®	Without Grilles	0.26	0.17	0.39
		Simulated Divided Light Grilles	0.26	0.15	0.33
		Finelight™ Grilles	0.26	0.15	0.33
		Full Divided Light Grilles	0.29	0.15	0.33

Andersen® Product	High Performance Glass Type	U-Factor ¹	SHGC ²	VT ³	
400 Series Frenchwood® Hinged Inswing Patio Doors AND-N-10	Low-E4* w/Heatlock®	Without Grilles	0.30	0.24	0.40
		Simulated Divided Light Grilles	0.30	0.21	0.34
		Finelight™ Grilles	0.32	0.21	0.34
		Full Divided Light Grilles	0.31	0.21	0.34
	Low-E4* w/Heatlock®	Without Grilles	0.27	0.23	0.39
		Simulated Divided Light Grilles	0.27	0.20	0.34
		Finelight™ Grilles	0.27	0.20	0.34
		Full Divided Light Grilles	0.29	0.20	0.34
	Low-E4* Sun	Without Grilles	0.30	0.15	0.22
		Simulated Divided Light Grilles	0.30	0.13	0.19
		Finelight™ Grilles	0.32	0.13	0.19
		Full Divided Light Grilles	0.32	0.13	0.19
	Low-E4* SmartSun™	Without Grilles	0.30	0.16	0.36
		Simulated Divided Light Grilles	0.30	0.14	0.31
		Finelight™ Grilles	0.31	0.14	0.31
		Full Divided Light Grilles	0.31	0.14	0.31
	Low-E4* SmartSun™ w/Heatlock®	Without Grilles	0.27	0.16	0.36
		Simulated Divided Light Grilles	0.27	0.14	0.30
		Finelight™ Grilles	0.27	0.14	0.30
		Full Divided Light Grilles	0.29	0.14	0.30
400 Series Frenchwood® Patio Door Sidelights AND-N-64	Low-E4* w/Heatlock®	Without Grilles	0.31	0.22	0.36
		Simulated Divided Light Grilles	0.31	0.20	0.32
		Finelight™ Grilles	0.31	0.20	0.32
		Full Divided Light Grilles	0.32	0.20	0.32
	Low-E4* w/Heatlock®	Without Grilles	0.27	0.22	0.36
		Simulated Divided Light Grilles	0.27	0.19	0.31
		Finelight™ Grilles	0.27	0.19	0.31
		Full Divided Light Grilles	0.29	0.19	0.31
	Low-E4* Sun	Without Grilles	0.31	0.14	0.20
		Simulated Divided Light Grilles	0.31	0.13	0.18
		Finelight™ Grilles	0.31	0.13	0.18
		Full Divided Light Grilles	0.32	0.13	0.18
	Low-E4* SmartSun™	Without Grilles	0.30	0.15	0.33
		Simulated Divided Light Grilles	0.30	0.14	0.29
		Finelight™ Grilles	0.31	0.14	0.29
		Full Divided Light Grilles	0.31	0.14	0.29
	Low-E4* SmartSun™ w/Heatlock®	Without Grilles	0.27	0.15	0.32
		Simulated Divided Light Grilles	0.27	0.13	0.28
		Finelight™ Grilles	0.27	0.13	0.28
		Full Divided Light Grilles	0.28	0.13	0.28
400 Series Frenchwood® Patio Door Transoms AND-N-65	Low-E4* w/Heatlock®	Without Grilles	0.29	0.24	0.39
		Simulated Divided Light Grilles	0.29	0.21	0.35
		Finelight™ Grilles	0.30	0.21	0.35
		Full Divided Light Grilles	0.30	0.21	0.35
	Low-E4* w/Heatlock®	Without Grilles	0.27	0.23	0.38
		Simulated Divided Light Grilles	0.27	0.21	0.34
		Finelight™ Grilles	0.27	0.21	0.34
		Full Divided Light Grilles	0.28	0.21	0.34
	Low-E4* Sun	Without Grilles	0.30	0.15	0.22
		Simulated Divided Light Grilles	0.30	0.13	0.19
		Finelight™ Grilles	0.30	0.13	0.19
		Full Divided Light Grilles	0.30	0.13	0.19
	Low-E4* SmartSun™	Without Grilles	0.29	0.16	0.35
		Simulated Divided Light Grilles	0.29	0.14	0.31
		Finelight™ Grilles	0.30	0.14	0.31
		Full Divided Light Grilles	0.30	0.14	0.31
	Low-E4* SmartSun™ w/Heatlock®	Without Grilles	0.26	0.15	0.34
		Simulated Divided Light Grilles	0.26	0.14	0.30
		Finelight™ Grilles	0.26	0.14	0.30
		Full Divided Light Grilles	0.28	0.14	0.30
400 Series Complementary Springline® & Arch Inswing Patio Doors AND-N-127	Low-E4* w/Heatlock®	Without Grilles	0.31	0.24	0.41
		Simulated Divided Light Grilles	0.31	0.18	0.30
		Finelight™ Grilles	0.32	0.21	0.35
		Full Divided Light Grilles	0.32	0.18	0.30
	Low-E4* w/Heatlock®	Without Grilles	0.28	0.24	0.40
		Simulated Divided Light Grilles	0.28	0.18	0.29
		Finelight™ Grilles	0.29	0.21	0.34
		Full Divided Light Grilles	0.30	0.18	0.29
	Low-E4* Sun	Without Grilles	0.31	0.15	0.23
		Simulated Divided Light Grilles	0.31	0.12	0.17
		Finelight™ Grilles	0.33	0.13	0.20
		Full Divided Light Grilles	0.33	0.12	0.17
	Low-E4* SmartSun™	Without Grilles	0.31	0.16	0.37
		Simulated Divided Light Grilles	0.31	0.12	0.27
		Finelight™ Grilles	0.32	0.14	0.32
		Full Divided Light Grilles	0.32	0.12	0.27
	Low-E4* SmartSun™ w/Heatlock®	Without Grilles	0.28	0.16	0.36
		Simulated Divided Light Grilles	0.28	0.12	0.26
		Finelight™ Grilles	0.29	0.14	0.31
		Full Divided Light Grilles	0.30	0.12	0.26

Combination Design, Product Performance, Installation & Warranty

* This data is accurate as of September 2017. Due to ongoing product changes, updated test results, or new industry standards or requirements, this data may change over time. Ratings are for sizes specified by NFRC for testing and certification. Ratings may vary depending on use of tempered glass, different grille options, glass for high altitudes, etc.

continued on next page

PRODUCT PERFORMANCE

Andersen® NFRC Certified Total Unit Performance – 400 Series (continued)

For current performance information please visit andersenwindows.com.

Andersen® Product	High Performance Glass Type	U-Factor ¹	SHGC ²	VT ³	
400 Series Complementary Springline™ & Arch Outswing Patio Doors AND-N-127	Low-E4* w/Heatlock*	Without Grilles	0.32	0.25	0.41
		Simulated Divided Light Grilles	0.32	0.19	0.30
		Finelight™ Grilles	0.33	0.22	0.35
		Full Divided Light Grilles	0.33	0.19	0.30
	Low-E4* w/Heatlock*	Without Grilles	0.29	0.24	0.40
		Simulated Divided Light Grilles	0.29	0.18	0.29
		Finelight™ Grilles	0.30	0.21	0.35
		Full Divided Light Grilles	0.31	0.18	0.29
	Low-E4* Sun	Without Grilles	0.32	0.16	0.23
		Simulated Divided Light Grilles	0.32	0.12	0.17
		Finelight™ Grilles	0.33	0.14	0.20
		Full Divided Light Grilles	0.33	0.12	0.17
	Low-E4* SmartSun™	Without Grilles	0.31	0.17	0.37
		Simulated Divided Light Grilles	0.31	0.15	0.32
		Finelight™ Grilles	0.33	0.15	0.32
		Full Divided Light Grilles	0.33	0.15	0.32
Low-E4* SmartSun™ w/Heatlock*	Without Grilles	0.28	0.16	0.36	
	Simulated Divided Light Grilles	0.28	0.15	0.31	
	Finelight™ Grilles	0.29	0.15	0.31	
	Full Divided Light Grilles	0.31	0.15	0.31	
400 Series Complementary Arch Sidelights AND-N-131	Low-E4* w/Heatlock*	Without Grilles	0.31	0.23	0.38
		Simulated Divided Light Grilles	-	-	-
		Finelight™ Grilles	0.31	0.21	0.34
		Full Divided Light Grilles	0.32	0.18	0.30
	Low-E4* w/Heatlock*	Without Grilles	0.28	0.22	0.37
		Simulated Divided Light Grilles	-	-	-
		Finelight™ Grilles	0.28	0.20	0.33
		Full Divided Light Grilles	0.30	0.18	0.29
	Low-E4* Sun	Without Grilles	0.32	0.14	0.21
		Simulated Divided Light Grilles	-	-	-
		Finelight™ Grilles	0.32	0.13	0.19
		Full Divided Light Grilles	0.33	0.12	0.17
	Low-E4* SmartSun™	Without Grilles	0.31	0.15	0.34
		Simulated Divided Light Grilles	-	-	-
		Finelight™ Grilles	0.31	0.14	0.30
		Full Divided Light Grilles	0.32	0.13	0.27
Low-E4* SmartSun™ w/Heatlock*	Without Grilles	0.28	0.15	0.34	
	Simulated Divided Light Grilles	-	-	-	
	Finelight™ Grilles	0.28	0.14	0.30	
	Full Divided Light Grilles	0.30	0.12	0.26	

Andersen® NFRC Certified Total Unit Performance – Folding Doors

For current performance information please visit andersenwindows.com.

Andersen® Product	High Performance Glass Type	U-Factor ¹	SHGC ²	VT ³	
Folding Doors AND-N-153	Low-E4* w/Heatlock*	Without Grilles	0.36	0.26	0.44
		Simulated Divided Light Grilles	0.36	0.23	0.37
		Finelight™ Grilles	0.37	0.23	0.37
		Full Divided Light Grilles	0.37	0.23	0.37
	Low-E4* w/Heatlock*	Without Grilles	0.36	0.16	0.24
		Simulated Divided Light Grilles	0.36	0.14	0.21
		Finelight™ Grilles	0.37	0.14	0.21
		Full Divided Light Grilles	0.37	0.14	0.21
	Low-E4* Sun	Without Grilles	0.35	0.18	0.39
		Simulated Divided Light Grilles	0.35	0.15	0.34
		Finelight™ Grilles	0.36	0.15	0.34
		Full Divided Light Grilles	0.36	0.15	0.34
	Low-E4* Sun w/Heatlock*	Without Grilles	0.36	0.43	0.48
		Simulated Divided Light Grilles	0.36	0.37	0.41
		Finelight™ Grilles	0.38	0.37	0.41
		Full Divided Light Grilles	0.37	0.37	0.41
	Low-E4* SmartSun™	Without Grilles	0.32	0.26	0.43
		Simulated Divided Light Grilles	0.32	0.22	0.37
		Finelight™ Grilles	0.34	0.22	0.37
		Full Divided Light Grilles	0.34	0.22	0.37
	Low-E4* SmartSun™ w/Heatlock*	Without Grilles	0.33	0.16	0.24
		Simulated Divided Light Grilles	0.33	0.14	0.20
		Finelight™ Grilles	0.34	0.14	0.20
		Full Divided Light Grilles	0.35	0.14	0.20

Low-E4 SmartSun™, "Low-E4*", "Low-E4* Sun" and Heatlock* are Andersen trademarks for "Low-E" glass.

1) U-Factor defines the amount of heat loss through the total unit in BTU/hr/ft², °F. The lower the value, the less heat is lost through the entire product. Window values represent non-tempered glass. Use of tempered glass can increase U-Factor ratings. See andersenwindows.com/nfrc for specific performance values. Door values represent tempered glass. 2) Solar Heat Gain Coefficient (SHGC) defines the fraction of solar radiation admitted through the glass both directly transmitted and absorbed and subsequently released inward. The lower the value, the less heat is transmitted through the product. 3) Visible Transmittance (VT) measures how much light comes through a product (glass and frame). The higher the value, from 0 to 1, the more daylight the product lets in over the product's total unit area. Visible Light Transmittance is measured over the 380 to 760 nanometer portion of the solar spectrum.

• NFRC ratings are based on modeling by a third-party agency as validated by an independent test lab in compliance with NFRC program and procedural requirements.

• This data is accurate as of September 2017. Due to ongoing product changes, updated test results, or new industry standards or requirements, this data may change over time. Ratings are for sizes specified by NFRC for testing and certification. Ratings may vary depending on use of tempered glass, different grille options, glass for high altitudes, etc.

*Ratings for product with 4 3/4" (121mm) stile widths. Ratings for Springline™ entry doors and additional stile widths can be found at andersenwindows.com/nfrc.

Andersen® NFRC Certified Total Unit Performance – Entry Doors

For current performance information please visit andersenwindows.com.

Andersen® Product	High Performance Glass Type	U-Factor ¹	SHGC ²	VT ³	
Residential Inswing Entry Doors* Arch & Rectangular AND-N-135	Low-E4* w/Heatlock*	Without Grilles	0.32	0.22	0.37
		Simulated Divided Light Grilles	0.32	0.16	0.26
		Finelight™ Grilles	0.33	0.19	0.31
		Full Divided Light Grilles	0.33	0.16	0.26
	Low-E4* w/Heatlock*	Without Grilles	-	-	-
		Simulated Divided Light Grilles	-	-	-
		Finelight™ Grilles	-	-	-
		Full Divided Light Grilles	-	-	-
	Low-E4* Sun	Without Grilles	0.32	0.14	0.20
		Simulated Divided Light Grilles	0.32	0.11	0.14
		Finelight™ Grilles	0.34	0.12	0.17
		Full Divided Light Grilles	0.34	0.11	0.14
	Low-E4* SmartSun™	Without Grilles	0.32	0.15	0.33
		Simulated Divided Light Grilles	0.32	0.11	0.23
		Finelight™ Grilles	0.33	0.13	0.28
		Full Divided Light Grilles	0.33	0.11	0.23
Low-E4* SmartSun™ w/Heatlock*	Without Grilles	-	-	-	
	Simulated Divided Light Grilles	-	-	-	
	Finelight™ Grilles	-	-	-	
	Full Divided Light Grilles	-	-	-	
Residential/Commercial Inswing Entry Door Transoms Sash-Set AND-N-145	Low-E4* w/Heatlock*	Without Grilles	0.31	0.27	0.47
		Simulated Divided Light Grilles	0.31	0.25	0.41
		Finelight™ Grilles	0.30	0.24	0.41
		Full Divided Light Grilles	0.32	0.25	0.41
	Low-E4* w/Heatlock*	Without Grilles	-	-	-
		Simulated Divided Light Grilles	-	-	-
		Finelight™ Grilles	-	-	-
		Full Divided Light Grilles	-	-	-
	Low-E4* Sun	Without Grilles	0.31	0.17	0.26
		Simulated Divided Light Grilles	0.31	0.15	0.23
		Finelight™ Grilles	0.32	0.15	0.23
		Full Divided Light Grilles	0.32	0.15	0.23
	Low-E4* SmartSun™	Without Grilles	0.30	0.18	0.42
		Simulated Divided Light Grilles	0.30	0.16	0.37
		Finelight™ Grilles	0.31	0.16	0.37
		Full Divided Light Grilles	0.31	0.16	0.37
Low-E4* SmartSun™ w/Heatlock*	Without Grilles	-	-	-	
	Simulated Divided Light Grilles	-	-	-	
	Finelight™ Grilles	-	-	-	
	Full Divided Light Grilles	-	-	-	
Low-E4* w/Heatlock*	Without Grilles	0.33	0.19	0.31	
	Simulated Divided Light Grilles	0.33	0.15	0.24	
	Finelight™ Grilles	0.34	0.17	0.27	
	Full Divided Light Grilles	0.34	0.15	0.24	
Low-E4* w/Heatlock*	Without Grilles	-	-	-	
	Simulated Divided Light Grilles	-	-	-	
	Finelight™ Grilles	-	-	-	
	Full Divided Light Grilles	-	-	-	
Low-E4* Sun	Without Grilles	0.34	0.12	0.17	
	Simulated Divided Light Grilles	0.34	0.10	0.13	
	Finelight™ Grilles	0.34	0.11	0.15	
	Full Divided Light Grilles	0.34	0.10	0.13	
Low-E4* SmartSun™	Without Grilles	0.33	0.13	0.28	
	Simulated Divided Light Grilles	0.33	0.10	0.21	
	Finelight™ Grilles	0.34	0.12	0.25	
	Full Divided Light Grilles	0.34	0.10	0.21	
Low-E4* SmartSun™ w/Heatlock*	Without Grilles	-	-	-	
	Simulated Divided Light Grilles	-	-	-	
	Finelight™ Grilles	-	-	-	
	Full Divided Light Grilles	-	-	-	

continued on next page

Andersen® NFRC Certified Total Unit Performance – Entry Doors (continued)
For current performance information please visit andersenwindows.com.

Andersen® Product	High Performance Glass Type	U-Factor ¹	SHGC ²	VT ³	
Residential Outswing Entry Doors* Arch & Rectangular AND-N-135	Low-E ⁴	Without Grilles	0.33	0.22	0.36
		Simulated Divided Light Grilles	0.33	0.17	0.26
		Finelight™ Grilles	0.34	0.19	0.31
		Full Divided Light Grilles	0.34	0.17	0.26
	Low-E ⁴ w/Heatlock*	Without Grilles	-	-	-
		Simulated Divided Light Grilles	-	-	-
		Finelight™ Grilles	-	-	-
		Full Divided Light Grilles	-	-	-
	Low-E ⁴ Sun	Without Grilles	0.33	0.14	0.20
		Simulated Divided Light Grilles	0.33	0.11	0.14
		Finelight™ Grilles	0.34	0.12	0.17
		Full Divided Light Grilles	0.34	0.11	0.14
	Low-E ⁴ SmartSun™	Without Grilles	0.32	0.15	0.33
		Simulated Divided Light Grilles	0.32	0.12	0.23
		Finelight™ Grilles	0.34	0.13	0.28
		Full Divided Light Grilles	0.34	0.12	0.23
	Low-E ⁴ SmartSun™ w/Heatlock*	Without Grilles	-	-	-
		Simulated Divided Light Grilles	-	-	-
		Finelight™ Grilles	-	-	-
		Full Divided Light Grilles	-	-	-
Residential/Commercial Outswing Entry Door Transoms Sash-Set AND-N-130	Low-E ⁴	Without Grilles	0.31	0.29	0.49
		Simulated Divided Light Grilles	0.31	0.26	0.43
		Finelight™ Grilles	0.31	0.26	0.43
		Full Divided Light Grilles	0.32	0.26	0.43
	Low-E ⁴ w/Heatlock*	Without Grilles	0.28	0.28	0.48
		Simulated Divided Light Grilles	0.28	0.25	0.42
		Finelight™ Grilles	0.28	0.25	0.42
		Full Divided Light Grilles	0.30	0.25	0.42
	Low-E ⁴ Sun	Without Grilles	0.29	0.17	0.26
		Simulated Divided Light Grilles	0.29	0.15	0.23
		Finelight™ Grilles	0.31	0.16	0.24
		Full Divided Light Grilles	0.30	0.15	0.23
	Low-E ⁴ SmartSun™	Without Grilles	0.31	0.19	0.44
		Simulated Divided Light Grilles	0.31	0.17	0.39
		Finelight™ Grilles	0.31	0.17	0.39
		Full Divided Light Grilles	0.32	0.17	0.39
	Low-E ⁴ SmartSun™ w/Heatlock*	Without Grilles	0.27	0.19	0.43
		Simulated Divided Light Grilles	0.27	0.17	0.38
		Finelight™ Grilles	0.27	0.17	0.38
		Full Divided Light Grilles	0.29	0.18	0.38
Residential Outswing Entry Door Sidelights* Arch & Rectangular AND-N-136	Low-E ⁴	Without Grilles	0.34	0.19	0.31
		Simulated Divided Light Grilles	0.34	0.15	0.24
		Finelight™ Grilles	0.35	0.17	0.27
		Full Divided Light Grilles	0.35	0.15	0.24
	Low-E ⁴ w/Heatlock*	Without Grilles	-	-	-
		Simulated Divided Light Grilles	-	-	-
		Finelight™ Grilles	-	-	-
		Full Divided Light Grilles	-	-	-
	Low-E ⁴ Sun	Without Grilles	0.34	0.12	0.17
		Simulated Divided Light Grilles	0.34	0.10	0.13
		Finelight™ Grilles	0.35	0.11	0.15
		Full Divided Light Grilles	0.35	0.10	0.13
	Low-E ⁴ SmartSun™	Without Grilles	0.33	0.13	0.28
		Simulated Divided Light Grilles	0.33	0.11	0.21
		Finelight™ Grilles	0.34	0.12	0.25
		Full Divided Light Grilles	0.34	0.11	0.21
	Low-E ⁴ SmartSun™ w/Heatlock*	Without Grilles	-	-	-
		Simulated Divided Light Grilles	-	-	-
		Finelight™ Grilles	-	-	-
		Full Divided Light Grilles	-	-	-
Commercial Outswing Entry Doors* Rectangular AND-N-139	Low-E ⁴	Without Grilles	0.33	0.21	0.35
		Simulated Divided Light Grilles	0.33	0.16	0.24
		Finelight™ Grilles	0.35	0.18	0.29
		Full Divided Light Grilles	0.34	0.16	0.24
	Low-E ⁴ w/Heatlock*	Without Grilles	-	-	-
		Simulated Divided Light Grilles	-	-	-
		Finelight™ Grilles	-	-	-
		Full Divided Light Grilles	-	-	-
	Low-E ⁴ Sun	Without Grilles	0.34	0.13	0.19
		Simulated Divided Light Grilles	0.34	0.10	0.14
		Finelight™ Grilles	0.35	0.12	0.16
		Full Divided Light Grilles	0.35	0.10	0.14
	Low-E ⁴ SmartSun™	Without Grilles	0.33	0.15	0.31
		Simulated Divided Light Grilles	0.33	0.11	0.22
		Finelight™ Grilles	0.34	0.13	0.26
		Full Divided Light Grilles	0.34	0.11	0.22
	Low-E ⁴ SmartSun™ w/Heatlock*	Without Grilles	-	-	-
		Simulated Divided Light Grilles	-	-	-
		Finelight™ Grilles	-	-	-
		Full Divided Light Grilles	-	-	-

Andersen® Product	High Performance Glass Type	U-Factor ¹	SHGC ²	VT ³	
Commercial Outswing Entry Door Sidelights* Rectangular AND-N-144	Low-E ⁴	Without Grilles	0.35	0.19	0.30
		Simulated Divided Light Grilles	0.35	0.15	0.22
		Finelight™ Grilles	0.36	0.16	0.26
		Full Divided Light Grilles	0.36	0.15	0.22
	Low-E ⁴ w/Heatlock*	Without Grilles	-	-	-
		Simulated Divided Light Grilles	-	-	-
		Finelight™ Grilles	-	-	-
		Full Divided Light Grilles	-	-	-
	Low-E ⁴ Sun	Without Grilles	0.35	0.12	0.17
		Simulated Divided Light Grilles	0.35	0.10	0.12
		Finelight™ Grilles	0.36	0.11	0.14
		Full Divided Light Grilles	0.36	0.10	0.12
	Low-E ⁴ SmartSun™	Without Grilles	0.34	0.13	0.27
		Simulated Divided Light Grilles	0.34	0.10	0.20
		Finelight™ Grilles	0.35	0.11	0.23
		Full Divided Light Grilles	0.35	0.10	0.20
	Low-E ⁴ SmartSun™ w/Heatlock*	Without Grilles	-	-	-
		Simulated Divided Light Grilles	-	-	-
		Finelight™ Grilles	-	-	-
		Full Divided Light Grilles	-	-	-

- "Low-E⁴ SmartSun™", "Low-E⁴", "Low-E⁴ Sun" and Heatlock" are Andersen trademarks for "Low-E" glass.
- 1) U-Factor defines the amount of heat loss through the total unit in BTU/hr/ft² °F. The lower the value, the less heat is lost through the entire product. Window values represent non-tempered glass. Use of tempered glass can increase U-Factor ratings. See andersenwindows.com/nfrc for specific performance values. Door values represent tempered glass.
- 2) Solar Heat Gain Coefficient (SHGC) defines the fraction of solar radiation admitted through the glass both directly transmitted and absorbed and subsequently released inward. The lower the value, the less heat is transmitted through the product.
- 3) Visible Transmittance (VT) measures how much light comes through a product (glass and frame). The higher the value, from 0 to 1, the more daylight the product lets in over the product's total unit area. Visible Light Transmittance is measured over the 380 to 760 nanometer portion of the solar spectrum.
- NFRC ratings are based on modeling by a third-party agency as validated by an independent test lab in compliance with NFRC program and procedural requirements.
- This data is accurate as of September 2017. Due to ongoing product changes, updated test results, or new industry standards or requirements, this data may change over time. Ratings are for sizes specified by NFRC for testing and certification. Ratings may vary depending on use of tempered glass, different grille options, glass for high altitudes, etc.
- *Ratings for product with 4 3/4" (121mm) stile widths. Ratings for Springline™ entry doors and additional stile widths can be found at andersenwindows.com/nfrc.

Combination Design,
Product Performance,
Installation & Warranty

Andersen® NFRC Certified Total Unit Performance – 200 Series
For current performance information please visit andersenwindows.com.

Andersen® Product	High Performance Glass Type	U-Factor ¹	SHGC ²	VT ³		
200 Series Tilt-Wash Double-Hung Windows AND-N-59	Low-E	Without Grilles	0.30	0.32	0.54	
		Simulated Divided Light Grilles	0.29	0.29	0.48	
		Finelight™ Grilles	0.30	0.29	0.48	
		Full Divided Light Grilles	0.31	0.29	0.48	
	Low-E w/Heatlock*	Without Grilles	0.26	0.31	0.53	
		Simulated Divided Light Grilles	0.26	0.28	0.47	
		Finelight™ Grilles	0.26	0.28	0.47	
		Full Divided Light Grilles	0.26	0.28	0.47	
	Low-E SmartSun™	Without Grilles	0.30	0.21	0.49	
		Simulated Divided Light Grilles	0.29	0.19	0.43	
		Finelight™ Grilles	0.30	0.19	0.43	
		Full Divided Light Grilles	0.31	0.19	0.43	
	Low-E SmartSun™ w/Heatlock*	Without Grilles	0.26	0.21	0.48	
		Simulated Divided Light Grilles	0.26	0.19	0.42	
		Finelight™ Grilles	0.26	0.19	0.42	
		Full Divided Light Grilles	0.26	0.19	0.42	
	200 Series Gliding Windows AND-N-63	Low-E	Without Grilles	0.30	0.32	0.54
			Simulated Divided Light Grilles	0.30	0.29	0.48
			Finelight™ Grilles	0.29	0.29	0.48
			Full Divided Light Grilles	0.31	0.29	0.48
Low-E w/Heatlock*		Without Grilles	0.26	0.31	0.53	
		Simulated Divided Light Grilles	0.26	0.28	0.47	
		Finelight™ Grilles	0.27	0.28	0.47	
		Full Divided Light Grilles	0.28	0.28	0.47	
Low-E SmartSun™		Without Grilles	0.29	0.21	0.49	
		Simulated Divided Light Grilles	0.29	0.19	0.43	
		Finelight™ Grilles	0.29	0.19	0.43	
		Full Divided Light Grilles	0.30	0.19	0.43	
Low-E SmartSun™ w/Heatlock*		Without Grilles	0.26	0.21	0.47	
		Simulated Divided Light Grilles	0.26	0.19	0.42	
		Finelight™ Grilles	0.27	0.19	0.42	
		Full Divided Light Grilles	0.28	0.19	0.42	

continued on next page

PRODUCT PERFORMANCE

Andersen® NFRC Certified Total Unit Performance – 200 Series (continued)

For current performance information please visit andersenwindows.com.

Andersen® Product	High Performance Glass Type	U-Factor ¹	SHGC ²	VT ³	
200 Series Half Circle, Picture & Transom Windows AND-N-60	Low-E	Without Grilles	0.28	0.33	0.56
		Simulated Divided Light Grilles	0.28	0.30	0.50
		Finelight™ Grilles	0.29	0.29	0.50
		Full Divided Light Grilles	0.29	0.30	0.50
	Low-E w/Heatlock®	Without Grilles	0.24	0.32	0.55
		Simulated Divided Light Grilles	0.24	0.29	0.49
		Finelight™ Grilles	0.24	0.29	0.49
		Full Divided Light Grilles	0.26	0.29	0.49
	Low-E4* SmartSun™	Without Grilles	0.27	0.22	0.51
		Simulated Divided Light Grilles	0.27	0.20	0.45
		Finelight™ Grilles	0.28	0.20	0.45
		Full Divided Light Grilles	0.29	0.20	0.45
	Low-E4* SmartSun™ w/Heatlock®	Without Grilles	0.23	0.21	0.50
		Simulated Divided Light Grilles	0.23	0.19	0.44
		Finelight™ Grilles	0.23	0.19	0.44
Full Divided Light Grilles		0.25	0.19	0.44	
200 Series Narrowline® Gliding Patio Doors AND-N-61	Low-E4*	Without Grilles	0.29	0.32	0.56
		Simulated Divided Light Grilles	0.29	0.29	0.49
		Finelight™ Grilles	0.31	0.28	0.49
		Full Divided Light Grilles	0.30	0.29	0.49
	Low-E4* w/Heatlock®	Without Grilles	0.24	0.32	0.55
		Simulated Divided Light Grilles	-	-	-
		Finelight™ Grilles	0.24	0.28	0.48
		Full Divided Light Grilles	0.27	0.28	0.48
	Low-E4* Sun	Without Grilles	0.29	0.20	0.31
		Simulated Divided Light Grilles	0.29	0.18	0.27
		Finelight™ Grilles	0.31	0.18	0.27
		Full Divided Light Grilles	0.31	0.18	0.27
	Low-E4* SmartSun™	Without Grilles	0.28	0.22	0.50
		Simulated Divided Light Grilles	0.28	0.19	0.44
		Finelight™ Grilles	0.30	0.19	0.44
Full Divided Light Grilles		0.30	0.19	0.44	
Low-E4* SmartSun™ w/Heatlock®	Without Grilles	0.24	0.21	0.49	
	Simulated Divided Light Grilles	-	-	-	
	Finelight™ Grilles	0.24	0.19	0.43	
	Full Divided Light Grilles	0.27	0.19	0.43	
200 Series Perma-Shield® Gliding Patio Doors AND-N-13	Low-E	Without Grilles	0.29	0.33	0.55
		Blinds Between the Glass*	0.34	0.30	0.52
		Simulated Divided Light Grilles	0.29	0.29	0.48
		Finelight™ Grilles	0.30	0.29	0.48
		Full Divided Light Grilles	0.30	0.29	0.48
	Low-E Heatlock®	Without Grilles	0.24	0.32	0.54
		Simulated Divided Light Grilles	0.24	0.28	0.47
		Finelight™ Grilles	0.24	0.28	0.47
	Low-E Sun	Without Grilles	0.28	0.28	0.47
		Simulated Divided Light Grilles	0.29	0.20	0.31
		Full Divided Light Grilles	0.29	0.18	0.27
	Low-E SmartSun™	Without Grilles	0.30	0.18	0.27
		Simulated Divided Light Grilles	0.30	0.18	0.27
		Full Divided Light Grilles	0.31	0.18	0.27
	Low-E SmartSun™ w/Heatlock®	Without Grilles	0.28	0.22	0.50
Simulated Divided Light Grilles		0.28	0.19	0.44	
Full Divided Light Grilles		0.29	0.19	0.44	
Low-E4* SmartSun™	Without Grilles	0.24	0.21	0.49	
	Simulated Divided Light Grilles	0.24	0.19	0.43	
	Full Divided Light Grilles	0.24	0.19	0.43	
Low-E4* SmartSun™ w/Heatlock®	Without Grilles	0.28	0.19	0.43	
	Simulated Divided Light Grilles	0.24	0.19	0.43	
	Full Divided Light Grilles	0.28	0.19	0.43	
200 Series Hinged Inswing Patio Doors AND-N-75	Low-E	Without Grilles	0.32	0.24	0.41
		Simulated Divided Light Grilles	0.32	0.21	0.35
		Finelight™ Grilles	0.33	0.21	0.35
		Full Divided Light Grilles	0.32	0.21	0.35
	Low-E4* w/Heatlock®	Without Grilles	0.27	0.24	0.40
		Simulated Divided Light Grilles	0.27	0.21	0.34
		Finelight™ Grilles	0.27	0.21	0.34
	Low-E4* Sun	Without Grilles	0.30	0.21	0.34
		Simulated Divided Light Grilles	0.32	0.15	0.23
		Full Divided Light Grilles	0.32	0.13	0.19
	Low-E4* SmartSun™	Without Grilles	0.31	0.13	0.19
		Simulated Divided Light Grilles	0.32	0.13	0.19
		Full Divided Light Grilles	0.31	0.13	0.19
	Low-E4* SmartSun™ w/Heatlock®	Without Grilles	0.32	0.16	0.37
		Simulated Divided Light Grilles	0.32	0.14	0.31
Full Divided Light Grilles		0.30	0.14	0.31	
Low-E4* SmartSun™ w/Heatlock®	Without Grilles	0.33	0.14	0.31	
	Simulated Divided Light Grilles	0.27	0.16	0.36	
	Full Divided Light Grilles	0.27	0.16	0.36	

Andersen® Products Total Unit Recycled Content Percentages

For current performance information please visit andersenwindows.com.

Andersen® Product	NFRC Rated Window Size	% Pre-Consumer Recycled Content
400 Series Windows and Patio Doors		
Casement Window	24" (610) x 48" (1219)	4%
Awning Window	48" (1219) x 24" (610)	4%
Casement/Awning Picture Window	47" (1194) x 59" (1499)	8%
Complementary Casement Window	24" (610) x 48" (1219)	5%
Woodwright® Double-Hung Full-Frame Window	47" (1194) x 59" (1499)	13%
Woodwright® Picture Full-Frame Window	47" (1194) x 59" (1499)	14%
Woodwright® Transom Full-Frame Window	47" (1194) x 59" (1499)	13%
Woodwright® Double-Hung Insert Window	36" (914) x 60" (1524)	9%
Woodwright® Picture Insert Window	47" (1194) x 59" (1499)	11%
Woodwright® Transom Insert Window	47" (1194) x 59" (1499)	10%
Woodwright® Arch Double-Hung Window	47" (1194) x 59" (1499)	9%
Woodwright® Springline™ Single-Hung Window	47" (1194) x 59" (1499)	8%
Tilt-Wash Double-Hung Full-Frame Window	47" (1194) x 59" (1499)	6%
Tilt-Wash Picture Full-Frame Window	47" (1194) x 59" (1499)	10%
Tilt-Wash Double-Hung Insert Window	47" (1194) x 59" (1499)	6%
Gliding Window	59" (1499) x 47" (1194)	4%
Specialty Window (all, based on Flexiframe™)	47" (1194) x 59" (1499)	8%
Complementary Specialty Window (rectangular)	47" (1194) x 59" (1499)	7%
Frenchwood® Gliding Patio Door	79" (2007) x 79" (2007)	4%
Frenchwood® Hinged Inswing Patio Door	38" (965) x 82" (2083)	4%
Frenchwood® Patio Door Sidelight	24" (610) x 79" (2007)	3%
Frenchwood® Patio Door Transom	79" (2007) x 24" (610)	3%
Complementary Springline™ Patio Door	38" (965) x 82" (2083)	3%
Complementary Arch Patio Door	38" (965) x 82" (2083)	3%
Entranceways		
Residential Rectangular Entranceway	38" (965) x 82" (2083)	3%
Residential Springline™ Entranceway	38" (965) x 82" (2083)	3%
Residential Arch Entranceway	38" (965) x 82" (2083)	3%
Commercial Rectangular Outswing Entranceway	38" (965) x 82" (2083)	4%
200 Series Windows and Patio Doors		
Tilt-Wash Double-Hung Window	47" (1194) x 59" (1499)	4%
Tilt-Wash Picture Window	47" (1194) x 59" (1499)	10%
Gliding Window	59" (1499) x 47" (1194)	5%
Narrowline® Gliding Patio Door	79" (2007) x 79" (2007)	6%
Perma-Shield® Gliding Patio Door	79" (2007) x 82" (2083)	4%
Hinged Inswing Patio Door	38" (965) x 82" (2083)	3%

- "% Pre-Consumer Recycled Content" is verified by SCS Global Services (SCS) to meet ISO 14021 standards based on NFRC sizing. Actual recycled content dependent on product size.
- Dimensions in parentheses are in millimeters.

- "Low-E4" SmartSun™, "Low-E4™", "Low-E4" Sun and Heatlock are Andersen trademarks for "Low-E" glass.
- 1) U-Factor defines the amount of heat loss through the total unit in BTU/hr/ft². The lower the value, the less heat is lost through the entire product. Window values represent non-tempered glass. Use of tempered glass can increase U-Factor ratings. See andersenwindows.com/nfrc for specific performance values. Door values represent tempered glass.
- 2) Solar Heat Gain Coefficient (SHGC) defines the fraction of solar radiation admitted through the glass both directly transmitted and absorbed and subsequently released inward. The lower the value, the less heat is transmitted through the product.
- 3) Visible Transmittance (VT) measures how much light comes through a product (glass and frame). The higher the value, from 0 to 1, the more daylight the product lets in over the product's total unit area. Visible Light Transmittance is measured over the 380 to 760 nanometer portion of the solar spectrum.
- NFRC ratings are based on modeling by a third-party agency as validated by an independent test lab in compliance with NFRC program and procedural requirements.
- This data is accurate as of September 2017. Due to ongoing product changes, updated test results, or new industry standards or requirements, this data may change over time. Ratings are for sizes specified by NFRC for testing and certification. Ratings may vary depending on use of tempered glass, different grille options, glass for high altitudes, etc.
- *Available for select patio door sizes. Data based on blinds in full open position.

About the NFRC

The National Fenestration Rating Council (NFRC) is a nonpartisan coalition of professionals whose purpose is to provide fair, accurate and credible energy performance ratings for fenestration products. NFRC's membership includes manufacturers, suppliers, designers, specifiers, utility companies, government agencies and other building industry representatives.

Andersen Corporation is a founding member of the NFRC and continues to support its work by providing fair, accurate and credible energy performance ratings to consumers and the building industry. If you have any questions about the NFRC, its program or energy performance ratings, write them at: NFRC, 6305 Ivy Lane, Suite 140, Greenbelt, MD 20770, Tel: (301) 589-1776 Website: www.nfrc.org

About the Label

Look for this certification label on every window and patio door you buy. The NFRC section was designed by the National Fenestration Rating Council to provide accurate information that helps you promote the energy efficiency of the homes you build. These ratings allow you - and your customers - to measure and compare the energy performance of similar products. If the product does not have this label, the NFRC has not verified its claims.

Combination Design, Product Performance, Installation & Warranty

Do not remove until final code inspection. Save label for future reference.


ENERGY STAR® Certified in Highlighted Regions
Certifié ENERGY STAR dans les régions en surbrillance

Canada
energystar.gc.ca




ENERGY STAR


U.S. / É.U.
energystar.gov



ER/RE 18

DO NOT REMOVE UNTIL FINAL INSPECTION / NE PAS RETIRER AVANT L'INSPECTION FINALE



Andersen 

Casement Window
AND-N-1-01147-00001
Vinyl-Clad Wood Frame, Dual-Pane Low-E SmartSun
Glazing with Argon
Product Type: Casement

ENERGY PERFORMANCE RATINGS

U-Factor	Solar Heat Gain Coefficient
0.27	0.21
(U.S./I-P)	(Metric/SI)

ADDITIONAL PERFORMANCE RATINGS

Visible Transmittance	
0.49	■

Manufacturer stipulates that these ratings conform to applicable NFRC procedures for determining whole product performance. NFRC ratings are determined for a fixed set of environmental conditions and a specific product size. NFRC does not recommend any product and does not warrant the suitability of any product for any specific use. Consult manufacturer's literature for other product performance information.
www.nfrc.org




Licensee: 129-H-861
Andersen Corporation
400 Series Casement Window
Manufacturer stipulates Hallmark Certification as indicated below.

STANDARD	RATING
AAMA/WDMA/CSA 101/1.5.2/A440-11	Class LC-PG50 Size Tested 56" X 71" DP=50/-50
AAMA/WDMA/CSA 101/1.5.2/A440-08	Class LC-PG50 Size Tested 56" X 71" DP=50/-50
AAMA/WDMA/CSA 101/1.5.2/A440-08 A440S1-09	Class LC-PG50 - 1435mm x 1622mm Positive/Negative Design Pressure (DP) = 2400 Pa / 2400 Pa Water Penetration Resistance Test Pressure = 360 Pa Canadian Air Infiltration/Exfiltration = A3

FL 12496

Glazing: 2.2mm AN outer/2.3mm HS inner

Complies with HUD UM Bulletin No. 111



This product meets the Green Seal Standard for Windows, GS-13, for energy efficiency, heavy metals in the frame and sash materials, packaging, and consumer education materials.

Meets or exceeds CEC & IECC Air Infiltration Requirements of 0.2 CFM/sq.ft. or lower.
WDMA Hallmark Certification Program

U-Factor indicates how well a product prevents heat from escaping (the lower the number, the better).

Visible Transmittance refers to how much visible light comes through a product (the closer to 1.0, the more light is transmitted).

WDMA Hallmark Certification verifies the performance ratings of this product were tested by an independent testing laboratory and verified by a third-party certification program.

Test Standards

Energy Rating (ER) represents "Energy Rating" and is a rating used in Canada for product comparison purposes (the higher the ER number, the more energy saved during the heating season).

ENERGY STAR® Climate Zone Map is based on U-Factor and solar heat gain coefficient criteria for specific ENERGY STAR climate zones within the United States and Canada. The shading of the map shows which climate zone(s) a particular product and glass type is ENERGY STAR certified in.

Solar Heat Gain Coefficient measures how well a product blocks heat caused by sunlight (the lower the number, the more it will help reduce the use of air conditioning and as a result reduce electrical bills and energy use).

Performance Grade (PG) and Design Pressure (DP) Ratings

Glass Construction used with this product type

• NFRC ratings are based on modeling by a third-party agency as validated by an independent test lab in compliance with NFRC program and procedural requirements.



THE ENVIRONMENT HAS A BUSINESS PARTNER

Respect for the environment is nothing new at Andersen. For more than a century, it's been part of who we are. Our commitment to recycle and reclaim materials began simply because it was good business. Now it's part of our commitment to sustainability and responsible stewardship of all our resources. Andersen is committed to providing you with long-lasting*, energy-efficient windows and doors. Visit andersenwindows.com/sustainability for more information.



Andersen® products are certified under the National Fenestration Rating Council's voluntary third-party certification program designed to ensure accurate energy performance ratings and labeling.



Andersen was one of the first U.S. window manufacturers to receive Forest Stewardship Council® (FSC®) Chain-of-Custody certification (FSC-CO16636). This certification is awarded to companies that meet FSC® standards for traceability in their wood supply chain.



The Window & Door Manufacturers Association (WDMA) Hallmark Certification program includes product testing and quality-control process audits to verify that Andersen® windows and doors are produced in conformance with the industry standards for air, water resistance and structural performance.



Andersen Corporation is proud to be an ENERGY STAR® partner. For over 100 years, Andersen has built a reputation for environmental stewardship and energy-efficient products. In fact, Andersen has been part of the ENERGY STAR program since it started, and was the first window manufacturer to be named an ENERGY STAR National Window Partner of the Year in 1999.



Andersen was the first window and patio door manufacturer to offer Green Seal™ certified products. Select 400 and 200 Series products meet Green Seal energy efficiency requirements and are manufactured and packaged in a consistent, environmentally responsible manner. To view a list of Andersen® products that are Green Seal™ certified, please visit the "Find Green Products & Services" section of www.greenseal.org.



Andersen was the first window manufacturer to certify our products for indoor air quality, beginning in 2008. Our Indoor Advantage™ Gold certification by SCS Global Services (SCS) meets the rigorous high standards for healthier indoor air quality set by the California Specification 01350.



Under U.S. Green Building Council (USGBC) guidelines, Andersen is able to claim a percentage of material in its Fibrex® product as pre-consumer recycled content. SCS Global Services (SCS) has certified this amount for Andersen.

* Visit andersenwindows.com/warranty for details. All logos and marks are trademarks of their respective owners.

Andersen® windows and doors can make significant contributions to the success of sustainable design strategies.

As a charter member of the U.S. Green Building Council, we are active supporters of certified green buildings. Our products may assist customers in pursuing green building programs, such as Leadership in Energy and Environmental Design (LEED®), the National Green Building Standard, Green Globes, GreenStar and more.

Below you will find a high-level overview of how our products may assist project teams with pursuing LEED v4 or the NAHB National Green Building Standard rating systems. More detailed credit summaries, as well as information about how Andersen products can support earlier versions of LEED certification (e.g., **LEED v3** or **LEED 2008**), are available at andersenwindows.com.

LEED v4 FOR BUILDING DESIGN AND CONSTRUCTION: NEW CONSTRUCTION AND MAJOR RENOVATIONS

Andersen windows and patio doors may assist project teams in pursuing the following credits in the **LEED v4 BD+C: New Construction** rating system.

Integrative Process Credit

Energy & Atmosphere

- Minimum energy performance prerequisite
- Optimize energy performance credit
- Renewable energy production credit
- Green power and carbon offsets credit

Materials & Resources

- Construction and demolition waste management planning credit
- Building product disclosure and optimization - sourcing of raw materials credit
- Construction and demolition waste management credit

Indoor Environmental Quality

- Minimum indoor air quality performance prerequisite
- Minimum acoustic performance prerequisite - schools
- Enhanced indoor air quality strategies credit
- Low-emitting materials credit
- Thermal comfort credit
- Daylight credit
- Quality views credit
- Acoustic performance credit (option 2)

LEED v4 FOR BUILDING DESIGN AND CONSTRUCTION: HOMES AND MULTIFAMILY MIDRISE

Andersen windows and patio doors may assist project teams in pursuing the following credits in the **LEED v4 BD+C: Homes** rating system.

Energy & Atmosphere

- Minimum energy performance prerequisite
- Education of the homeowner, tenant or building prerequisite
- Annual energy use credit
- Building orientation for passive solar credit
- Air Infiltration credit
- Windows credit

Materials & Resources

- Durability management prerequisite
- Environmentally preferable products credit
- Construction waste management credit

Indoor Environmental Quality

- Ventilation prerequisite
- Low-emitting products credit

NAHB NATIONAL GREEN BUILDING STANDARD

The NAHB National Green Building Standard, now called the ICC 700-2008 National Green Building Standard, is ANSI (American National Standards Institute) approved, and was written in collaboration with the International Code Council, and is a comprehensive green building rating system. Each category contains multiple credit point standards for a project team to consider during design, construction, and function of the building. The credit points are then

compiled in order to achieve one of four levels of certification: Bronze, Silver, Gold or Emerald.

Andersen windows and patio doors may assist your project strategy in the following NAHB National Green Building Standard credits:

Site Design & Development

Lot Design, Preparation & Development

Resource Efficiency

- Windows and doors not requiring paint or stain
- Flashing details
- Construction materials recycled off-site
- Wood-based products from certified forestry
- Innovative practices

Energy Efficiency

- Minimum energy requirements (mandatory)
- Fenestration (mandatory)
- Better energy requirements - performance path
- Better fenestration
- Additional practices - daylighting through roof
- Additional practices - renewable energy

Water Efficiency

Indoor Environmental Quality

- Pollutant source control - formaldehyde
- Pollutant source control - interior architectural coatings
- Pollutant source control - interior adhesives and sealants

Operation, Maintenance & Building Owner Education

- Homeowner's binder
- Building construction manual

Based on ICC 700-2008 National Green Building Standard.

INSTALLATION ACCESSORIES

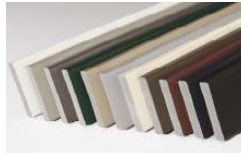
Listed are optional accessories available for the installation of Andersen® windows and doors. You'll also find key considerations regarding the use and installation of every Andersen product. Keep the instruction guidelines and safety information in mind when considering the installation and use of any Andersen product. Should you have any questions, contact your local Andersen supplier. Thank you for considering and using Andersen products.

COIL STOCK

Andersen aluminum coil stock can be ordered to match any of our 11 trim colors. Made from .018 thick aluminum, coil stock is available in 24" (610) x 50" (1270) rolls. Color-matched 1 1/4" (32) stainless steel trim nails are also available and can be ordered in 1 lb or .454 kg boxes.

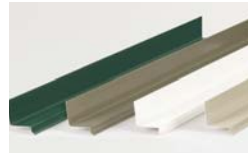


FIBREX® TRIM BOARD



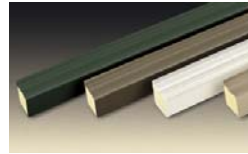
Andersen offers a 3 1/2" (89) wide by 3/4" (19) thick cellular Fibrex trim board in 10' (3048) lengths. Available in the same 11 colors as the exterior trim system, this solid trim board can be cut or ripped to size and can be fastened using nails or screws.

CONTINUOUS DRIP CAP



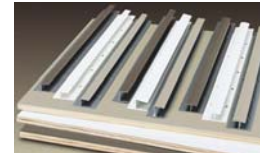
Included on 400 Series with vertical (ribbon) joins. Heavy 24-gauge corrosion-resistant aluminum construction. Available in 6' (1829), 10' (3048) and 12'-7 1/8" (3848) lengths and in any of the 11 trim colors.

AUXILIARY CASING



Auxiliary casing is made of cellular Fibrex material. Available in White, Canvas, Sandtone, Terratone, Forest Green, Dark Bronze and Black colors. Dimensions are 1 3/16" (30) by 1 13/16" (30) in 150" (3810) lengths.

VINYL CHANNELS AND LAMINATED BOARD



Rigid vinyl "J," "h" and "H" channel and vinyl laminated board.

EXTENSION JAMBS



Available for most Andersen products. See individual sections for details.

COLOR-MATCHED SEALANT

Color-matched sealant is available in Andersen exterior colors. This high-quality sealant can be used during the installation of all Andersen products.

	COLOR	LENGTH	DEPTH	WIDTH
Fibrex Trim Board	11 colors	120" (3048)	3/4" (19)	3 1/2" (89)
Auxiliary Casing	6 colors	150" (3810)	1 3/16" (30)	1 3/16" (30)
Vinyl Laminated Board	W,S,T	96" (2438)	1/2" (13)	24" (610)
	W	96" (2438) & 120" (3048)	1/2" (13)	48" (1219)
Rigid Vinyl "H" Channel	W	84" (2134) & 150" (3810)	3/4" (19)	1" (25)
	S,T	84" (2134) & 150" (3810)	3/4" (19)	3/4" (19)
Rigid Vinyl "h" Channel	W,S,T	150" (3810)	1/2" (13)	1" (25)
Rigid Vinyl "J" Channel	W,S,T	150" (3810)	1/2" (13)	3/4" (19)

INSTALLATION INFORMATION

ROUGH OPENINGS

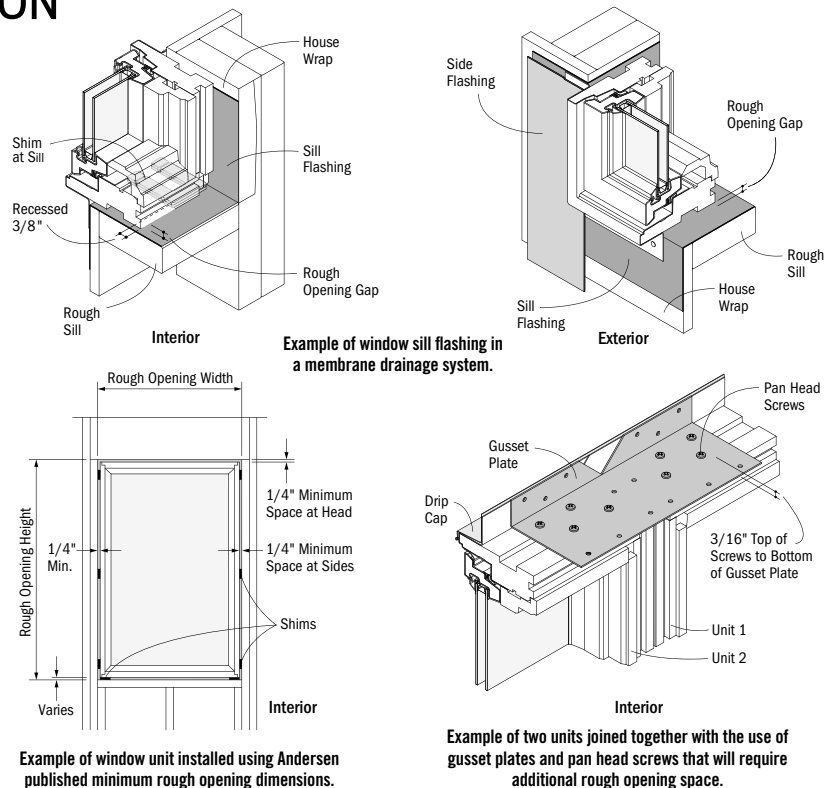
The purpose of a rough opening is to allow for proper spacing between the window or patio door unit and the building structure. The space is required for locating, leveling and squaring the unit during installation and to provide an area for insulation. A rough opening that is incorrectly sized may affect unit operation and may not allow for adequate fastening of the unit to the building structure. Andersen rough opening dimensions are provided as a guideline to help determine the minimum amount of space needed between the window or patio door and the building structure. See appropriate product sections for rough opening guidelines for each product.

Keep in mind that rough opening dimensions may need to be altered from published guidelines, depending on installation methods, joining methods, replacement methods, etc. For example, flashing systems can reduce the amount of available rough opening space and should be factored in when calculating rough opening dimensions. The use of support or joining materials will encroach on the rough opening and may require additional rough opening space between the unit and the building structure, depending on the thickness of the flashing system and joining materials used. To facilitate drainage, the sill plate should never slope toward the interior. For challenging environments and other information, refer to EEBA's (Energy and Environmental Building Association) Water Management Guide (www.eeba.org).

IMPORTANCE OF PROPER INSTALLATION

Proper installation and maintenance of Andersen products is essential to attain optimum performance and operation. Installation instructions that provide guidelines for proper installation are typically provided with Andersen products. They are also available by visiting andersenwindows.com. Remember that every installation is different, and Andersen strongly recommends consultation with the local supplier or an experienced contractor, architect or structural engineer prior to the installation of any Andersen product. The method of attachment for Andersen products, fastener selection and code compliance is the responsibility of the architect, building owner, contractor, installer and/or consumer. For more complete installation details, visit andersenwindows.com or see your Andersen supplier.

• Dimensions in parentheses are in millimeters.



GENERAL NOTES

When ordering, make certain you specify, then verify, the exact product, unit dimensions, configuration requirements, color and options you desire on each window or patio door. Before installing the product, we suggest you verify that it includes the features and options you ordered. Visit andersenwindows.com for product installation and joining guides. Printing limitations prohibit exact color duplication of products. View actual samples for building specifications. Andersen Corporation reserves the right to change details, specifications or sizes without notice. The customer assumes all risk of alterations made to Andersen® products.

CODES

Appropriate selection of Andersen products that conform to all applicable laws, ordinances, building codes and safety requirements is the sole responsibility of the architect, designer, building owner and/or contractor. Check with your local building code officials for specific information. Unit wind load, performance grade and energy performance information is provided on pages 255-285. For up-to-date product performance information, visit andersenwindows.com. The performance of any building system depends on the design and construction of the building system in its entirety, which should meet building code requirements, as well as address product and material limitations and local environment and climate.

DRIP CAPS

Drip caps are a specific type of flashing or trim that is used at the head of a window or door to direct water from the drainage plane out beyond the face of the unit.

FLASHING

Flashing is an important element in a building's water management system. It is used to shed and direct water to the building exterior or to the drainage plane. Flashing materials are typically applied starting from the bottom and working upward, with each successive layer overlapping the previous one in shingle fashion. Water infiltration problems in any type of building can be reduced by properly flashing and/or sealing around all building openings, including windows and doors.

USE OF SHIMS

Shims are often used along the side jambs of windows and doors to center the unit in the rough opening and to position it plumb, level and square. In addition, shims are always required for windows only under the sill at the side jambs to lift it off the rough sill. Shims also enable a straight frame for proper weatherstrip contact and unit operation. If not placed properly, unit performance and operation can be affected. Use waterproof shims capable of supporting the weight of the product. When using tapered shims, use them in pairs with the tapers opposing each other to avoid tilting the unit or twisting (rotating) of the jambs.

SEALANTS

Sealants are elastic materials used to block the passage of water and/or air while allowing movement between the two sides of the joint. A sealant should bond tightly and be able to expand and contract to accommodate joint movement without cracking or tearing away from the substrate. Surfaces must be clean, dry and sound for adequate sealant adhesion. Choose a sealant that is compatible with, and that will adhere adequately to, all building materials used in the window and patio door area. Proper sealant joint design is based upon the expected movement of adjacent materials and the movement capability

of the sealant. A general rule of thumb is that the depth of the sealant joint should be equal to half the width ($D = W/2$), but generally not less than 1/4" (6) or more than 1/2" (13). Foam-plastic backer rod can be used to limit the depth of the sealant joint, to provide a backstop for tooling the sealant without damage to the bond. It also acts as a bond breaker to help minimize stress in the sealant. Sealants should be maintained seasonally and repaired and/or replaced as needed.

GENERAL INSTALLATION GUIDELINES

1. Read and follow the installation guide in its entirety.
2. Decide whether you are integrating to a surface barrier or a membrane drainage system before installing the product. The appropriate method for your installation may vary based on building design, application and industry practices.
3. Make certain the drainage plane is continuous (proper overlaps to shed water, taped seams, etc.).
4. Andersen products should be installed only in the vertical position.
5. Check the rough opening to make sure it is sized properly, is square and is level.
6. Install the window plumb.
7. Install the window level.
8. Install the window square. Diagonal measurements should be within 1/8" (3).
9. Follow installation instructions to properly locate shims and to make sure that units are plumb, level and square. Shims are always required under the window jambs at the sill and along the jambs on the sides.
10. Check for squareness of unit before final anchoring of the product into the wall.
11. Anchor window as directed with appropriate fasteners.
12. Integrate the window into the drainage plane of the wall using quality flashing and sealing materials. All flashing materials should be properly overlapped to shed water.
13. Allow 1/4" (6) minimum space for a sealant joint around perimeter of unit between exterior finish materials and unit.
14. Insulate and seal the interior cavity between the window frame and the rough opening.
15. Check unit operation before application of interior trim.
16. Stain and/or seal all unfinished wood surfaces promptly to minimize moisture absorption.

EXTERIOR PAINTING/SEALING OF ANDERSEN® PRODUCTS

The exterior of some Andersen products may be painted or stained. However, improper painting and staining may cause damage to vinyl, aluminum and other exterior materials. Please refer to the individual product sections for details on painting Andersen product exteriors.

CAUTIONS

1. Do not apply any type of film to insulating glass. Thermal stress and glass damage can result. Andersen Corporation is not responsible for product performance when films are applied to Andersen products.
2. The use of removable insulating materials such as insulated window coverings, shutters and other shading devices may also cause thermal stress conditions and/or deformation of protective vinyl. In addition, excessive condensation may result, which can have a deteriorating effect on the window or patio door unit(s) involved. Andersen Corporation is not responsible

for product performance when these kinds of materials or devices are applied to or used in conjunction with Andersen products.

3. In wall construction utilizing brick facades, leave adequate clearance between sill, jambs and brick for sealing and dimensional change of framework.
4. Acid solutions commonly used to wash brick and other masonry materials will damage glass, fasteners, hardware and metal flashing. Protect unit and follow cleaning product instructions carefully. Damage caused by acid solution is not covered under the Andersen limited warranty.
5. Andersen windows may be combined in almost unlimited ribbons or stacks if each unit is positively secured to structural elements on opposing sides and if the proper joining system is used. See page 255 for more information.

SAFETY GLASS

Unless specifically ordered, Andersen windows are not made with safety glass and, if broken, the glass could fragment, causing injury. Andersen windows may be ordered with tempered glass which may reduce the likelihood of injury when broken. All Andersen patio doors are made with tempered glass. Differences in appearance between tempered and non-tempered glass can be expected. Slight visual distortions may be noticeable and occur normally as a result of the tempering process. Building codes require safety glass in locations adjacent to or near doors and other locations.

WINDOW AND PATIO DOOR SAFETY

Windows may provide a secondary avenue of escape or rescue in an emergency, such as a fire. Every family should develop an escape plan and make sure family members know how to escape from the home in an emergency. In your plan, include two ways to escape from every room in case one way is blocked by fire or smoke, and make sure you have a designated meeting place outside. A window or a door is an alternate means of escape or rescue. Practice your plan until each member of the family understands it and is able to escape without assistance. Remember, you may not be able to reach children during a fire emergency. Teach children – even very young children – that they must escape from a fire in the home and never hide from the fire or from emergency personnel.

LOOKOUT FOR KIDS® PROGRAM

The Consumer Product Safety Commission has said: "Keep children away from open windows to prevent falls. Don't depend on insect screens to keep the child from falling out of the window. They are designed to keep insects out, not children in. Avoid placing furniture near windows to keep children from climbing to a window seat or sill." In an effort to educate consumers about the potential for child falls from windows, Andersen Corporation created the LookOut For Kids Program. It combines a window and door safety brochure and specific product instructions to help make window and door safety an important priority for consumers. For more information on child safety, write:

Andersen Corporation
LookOut For Kids Program
100 Fourth Avenue North
Bayport, MN 55003

Call: 1-800-313-8889 Email: lofk@andersencorp.com



Combination Design,
Product Performance,
Installation & Warranty

• Dimensions in parentheses are in millimeters.

Limited Warranty

400 SERIES
200 SERIES

OWNER2OWNER
LIMITED WARRANTY

Units Manufactured After November 6, 2015

Para ver la versión, en español, de esta Garantía limitada y Proceso de resolución de controversias, visite andersenwindows.com

LIMITED WARRANTY AND DISPUTE RESOLUTION PROCESS

IMPORTANT: Please carefully read the Dispute Resolution Process that appears in this document after the Limited Warranty. The Dispute Resolution Process includes class action and jury trial waivers that affect your legal rights. To opt out of these waivers, you must visit our website at www.andersenwindows.com/optout and complete the opt-out form within one year from the date of purchase of your Andersen® products from a dealer or retailer. The opt-out only applies to the terms of the Dispute Resolution Process.

400 Series/200 Series Windows & Doors Limited Warranty

Transferable Limited Warranty on Glass

The glass in Andersen® factory glazed windows and doors (including dual-pane glass, High-Performance Low-E4® glass, High-Performance Low-E4® Sun glass, High-Performance Low-E4® SmartSun™ glass, High-Performance Low-E4® PassiveSun® glass, HeatLock® glass, Low-E glass, patterned glass (including obscure, pebble, fern, reed and cascade designs)), Finelight™ grilles, divided light grilles and tempered versions of these glass options is warranted to be free from defects in manufacturing, materials and workmanship for twenty (20) years from the date of purchase from the retailer/dealer. It is also warranted not to develop, under normal conditions, any material obstruction of vision resulting from manufacturing defects or as a result of premature failure of the glass or organic seal for twenty (20) years from the date of purchase from the retailer/dealer. Patterned glass (including obscure, pebble, fern, reed and cascade designs) is warranted not to develop, under normal conditions, any material change in appearance resulting from manufacturing defects or as a result of premature failure of the glass or organic seal for twenty (20) years from the date of purchase from the retailer/dealer. This limited warranty on glass does not apply to special order glazings, Andersen® art glass, insulated art glass, impact-resistant glass, insulated glass with shades or blinds between the glass or glass that is not factory installed by Andersen.

In the event a glass failure occurs as a result of a defect in manufacturing, materials or workmanship within the limited warranty period, Andersen, at its option, will: (1) provide the appropriate replacement glass product to the Andersen retailer/dealer you specify — labor is not included; or (2) provide a factory-authorized repair to the existing glass at no cost to you; or (3) refund the original purchase price. Such replacement parts or repair are warranted for the remainder of the original limited warranty period.

Transferable Limited Warranty on Components Other Than Glass

Non-glass portions of Andersen® windows and doors (including non-electric operators, locks, lifts, balance systems, hinges, handles, insect screens, weatherstripping, exterior trim, sash and frame members) are warranted to be free from defects in manufacturing, materials and workmanship for a period of ten (10) years from the date of purchase from the retailer/dealer. This limited warranty does not apply to Andersen electric window operators, retractable insect screens or finishes on bright brass and satin nickel door hardware. The non-glass portions of Andersen® windows and doors with wood exteriors and commercial doors are subject to a limited warranty with a five (5) year period, but otherwise identical to the ten (10) year limited warranty described above.

In the event a component other than glass fails as a result of a defect in manufacturing, materials or workmanship within the limited warranty period, Andersen, at its option, will: (1) provide replacement parts to the Andersen retailer/dealer you specify — labor is

not included; or (2) provide a factory-authorized repair to the existing component at no cost to you; or (3) refund the original purchase price. Such replacement parts or repairs are warranted for the remainder of the original limited warranty period.

Transferable Limited Warranty on Patio Doors with Shades/Blinds in Insulated Glass

Andersen® patio doors with shades/blinds in insulated glass (including insulated glass, shade/blind, insulated glass seal and external control mechanisms attached to the glass, hinges, handles, insect screens, weatherstripping, and frame members) are warranted to be free from defects in manufacturing, materials and workmanship for a period of ten (10) years from the date of purchase from the retailer/dealer.

In the event of a glass failure or failure in the shades or blinds between the glass as a result of a defect in manufacturing, materials or workmanship within the limited warranty period, Andersen, at its option, will: (1) provide the appropriate glass replacement product to the Andersen retailer/dealer you specify — labor is not included; or (2) provide a factory-authorized repair to the existing glass component at no cost to you; or (3) refund the original purchase price. Such replacement parts or repairs are warranted for the remainder of the original limited warranty period.

No Other Warranties or Representations

THIS LIMITED WARRANTY IS IN LIEU OF ALL OTHER WARRANTIES, EXPRESS OR IMPLIED, INCLUDING, BUT NOT LIMITED TO, ANY IMPLIED WARRANTIES OF MERCHANTABILITY OR FITNESS FOR A PARTICULAR PURPOSE. ALL WARRANTIES ARE LIMITED TO THE APPLICABLE STATUTE OF LIMITATIONS, BUT IN NO CASE WILL EXTEND BEYOND THE LIMITED WARRANTY PERIODS SPECIFIED ABOVE. ANDERSEN EXCLUDES AND WILL NOT BE LIABLE FOR ANY INCIDENTAL OR CONSEQUENTIAL DAMAGES, WHETHER ARISING OUT OF CONTRACT, TORT OR OTHERWISE. THE REMEDY OF REPAIR, REPLACEMENT OR REFUND OF THE ACTUAL PURCHASE PRICE OF THE PRODUCT PROVIDED BY THIS LIMITED WARRANTY IS THE EXCLUSIVE REMEDY WITH RESPECT TO ANY AND ALL LOSS OR DAMAGE.

Applicable Law

This Limited Warranty is only applicable in the U.S.A. (i.e., the fifty states and the District of Columbia). This Limited Warranty gives you specific legal rights, and you may also have other rights which may vary from state to state. Some states do not allow the exclusion or limitation of incidental or consequential damages or limitation of the duration of an implied warranty, so the above limitations or exclusions may not apply to you. If any specific term of this Limited Warranty is prohibited by any applicable law, it shall be null and void, but the remainder of this Limited Warranty shall remain in full force and effect.

What Is NOT Covered by this Limited Warranty: Specific Additional Exclusions

In addition to any other limitations or exclusions in this Limited Warranty, Andersen shall have no obligation for product failure, damage or costs due to or related to the following:

- Product modifications or glass shading devices (e.g., glass tinting, security systems, improper painting or staining, insulated coverings, etc.).
- Units improperly assembled or improperly mulled by others.
- Failure due to the application of non-Andersen hardware (e.g., locksets, trim sets, hinges, panic hardware, closers, etc.).
- Failure to properly install Andersen hardware and/or exterior trim.
- Adjustments or corrections due to improper installation.
- Improper installation or use, including use of a non-commercial door as a main entrance or exit door for a building other than a single-family residential unit or re-installing an Andersen window or door after it has been removed from a building and re-sold and/or re-installed in a different building.
- Exposure to conditions beyond published performance specifications.
- Water infiltration other than as a result of a defect in manufacturing, materials or workmanship.
- Condensation.
- Improper maintenance, such as use of brick wash, razor blades, sealants, sanding or improper washing.
- Failing to properly seal and maintain the exposed wood portions of a product. This includes, but is not limited to, the exposed wood on all sides of a door panel (e.g., exterior, interior, top, bottom, and both sides), a door frame and wood grilles.
- Chemicals or airborne pollutants, such as salt or acid rain.
- Delivery by others.

- Accidents.
- Acts of God.
- Normal wear and tear.

Additional items excluded from this limited warranty:

- Labor to replace sash or door panels, glass or other components.
- Labor and other costs related to the removal and disposal of defective product.
- Labor and materials to paint or stain any repaired or replaced product, component, trim or other carpentry work that may be required.

Products not manufactured by Andersen.

- The performance of the low-maintenance exterior glass coating on products with High-Performance Low-E4® glass. Performance will vary depending on environmental conditions.
- Minor warping of wood and clad-wood doors. Andersen may defer actions on any claim for warping for a period of up to twelve (12) months from the date of the claim in order to permit conditioning and equalization to humidity and temperature conditions.
- Slight glass curvature, minor scratches or other imperfections in the glass that do not impair structural integrity or significantly obscure normal vision.
- Rattling of grille bars within an air space.
- Insects passing through or around the insect screen.
- Tarnish or corrosion to hardware finishes.
- Special glazings. Contact us concerning the limited warranty on special glazings.
- Andersen® art glass and decorative insulated art glass, impact-resistant glass, electric window operators, retractable insect screens and bright brass and satin nickel finishes on door hardware. Contact us or refer to the specific limited warranties for these products.
- Andersen® 400 Series windows with Stormwatch® protection and with impact-resistant glass, A-Series windows and doors, E-Series/Eagle® windows and doors, 100 Series windows and doors, storm doors, Renewal by Andersen® windows, Silver Line® windows and doors, American Craftsman® windows and doors and Weiland® windows and doors have their own limited warranties and are not covered by this limited warranty.
- Service trips to provide instruction on product use.

How to register your Owner-To-Owner® Limited Warranty

Andersen offers quick, easy warranty registration on our website. Just go to www.andersenwindows.com/warranty and submit your warranty information online. By registering, you will expedite any warranty service you may have in the future. In addition, you can receive product information updates, safety notices and special offers regarding new products, as well as information regarding enhancements for the windows and doors you've registered. All warranty information is treated confidentially and will not be sold or traded to any person or organization outside of Andersen and the Andersen Dealer Network.



Warranty Claim Procedure

To make a claim under this Limited Warranty, contact the Andersen retailer/dealer who sold you your Andersen® product. Or, you may contact us at:

Andersen Windows, Inc./Andersen Service Center
100 Fourth Avenue North
Bayport, MN 55003-1096

You may also contact us using the Parts & Service section of our website at www.andersenwindows.com or reach us by phone at 1-888-888-7020.

You can help us serve you faster by providing the following important information:

- Description of the product such as the exterior color, unit type and size and inside visible glass measurements.
- Glass logo information etched in the inside corner of the glass.
- Description of product concerns.
- Documentation of the purchase date, if available.
- Your name, address (with zip code) where the product is installed and telephone numbers.

Non-Warranty Repair

You will be responsible for all costs related to any repair that is not covered by this Limited Warranty or which is outside of the limited warranty period. When warranty coverage is unclear, Andersen may charge an inspection fee for any on-site product inspection. If the inspector determines the Andersen® product has a defect covered by this Limited Warranty, the inspection fee will be waived.

For specific warranty information outside the United States, please contact your local distributor or write to:

Andersen Windows, Inc. / International Division
100 Fourth Avenue North
Bayport, MN 55003-1096

DISPUTE RESOLUTION PROCESS

General

If you are dissatisfied with the remedy provided to you under the Limited Warranty set forth above or have any other claim against Andersen related to your Andersen® products, you and Andersen agree to resolve the claim using the following process ("Dispute Resolution Process"). This Dispute Resolution Process will apply to claims of any nature relating to your Andersen product ("Dispute(s)"). Disputes include, but are not limited to, claims for breach of contract or breach of warranty, claims for violation of state or federal laws or regulations, claims based in tort, negligence or product liability, claims based in fraud or fraud in the inducement, marketing or advertising claims and claims related to the enforceability or effect of any term of the Limited Warranty or the Dispute Resolution Process, including, but not limited to, the waivers of class action and jury trials.

Notice Required

To assert a Dispute, you must first provide Andersen with written notice. A Notice of Dispute form is available for your use on Andersen's website at www.andersenwindows.com/noticeofdispute.

Andersen Response

Andersen will have 60 days from receipt of your Notice of Dispute to respond to you in writing. In that response or at any later time, Andersen may make one or more written offers to you to resolve your Dispute.

No Class Action or Jury Trials

YOU AGREE THAT YOU MAY ASSERT DISPUTES AGAINST ANDERSEN ONLY ON AN INDIVIDUAL BASIS AND NOT AS A PLAINTIFF OR CLASS MEMBER IN ANY CLASS OR REPRESENTATIVE ACTION OR PROCEEDING. AS PART OF THIS DISPUTE RESOLUTION PROCESS, YOU AND ANDERSEN ALSO AGREE TO WAIVE ANY RIGHT TO A JURY AND AGREE TO HAVE ALL DISPUTES HEARD AND DECIDED SOLELY BY THE FEDERAL OR STATE COURT JUDGE.

Opt-Out Procedure

You may opt out of this Dispute Resolution Process by completing and submitting a written Opt-Out Notice. The Opt-Out Notice is located on Andersen's website at www.andersenwindows.com/optout. Whether or not you opt out of the Dispute Resolution Process, all terms of the Limited Warranty set forth above remain in force and effect.

Applicable Law and Severability

This Dispute Resolution Process, including, but not limited to, issues related to its enforceability and effect, will be governed by the laws of the State of Minnesota without regard to conflict of law principles. If any term of this Dispute Resolution Process is found to be invalid or unenforceable in any particular jurisdiction, that term will not apply to that issue in that jurisdiction. Instead, that term will be severed with the remaining terms continuing in full force and effect.

Questions

If you have questions about the Dispute Resolution Process or Opt-Out Procedure, contact us at 844-332-7972.

"Andersen" and all other marks where denoted are trademarks of Andersen Corporation. ©2015 Andersen Corporation. All rights reserved. Printed and effective as of September 2015.

Combination Design,
Product Performance,
Installation & Warranty



**400 SERIES TILT-WASH
DOUBLE-HUNG WINDOWS** Page 87



**400 SERIES SPECIALTY
WINDOWS** Page 129



**400 SERIES FRENCHWOOD®
GLIDING PATIO DOORS** Page 153



**200 SERIES TILT-WASH
DOUBLE-HUNG WINDOWS** Page 221



**200 SERIES NARROLINE®
GLIDING PATIO DOORS** Page 233



**400 SERIES AWNING
WINDOWS** Page 31



**400 SERIES CASEMENT
WINDOWS** Page 31



**400 SERIES WOODWRIGHT®
DOUBLE-HUNG WINDOWS** Page 59



**400 SERIES GLIDING
WINDOWS** Page 123



**400 SERIES COMPLEMENTARY
CURVED TOP PATIO DOORS** Page 175



**400 SERIES FRENCHWOOD®
HINGED PATIO DOORS – INSWING** Page 161



**400 SERIES SPECIALTY
WINDOWS** Page 129

101 400 Series Tilt-Wash Double-Hung Insert Windows	175 400 Series Complementary Curved Top Patio Doors	241 200 Series Perma-Shield® Gliding Patio Doors
99 400 Series Conversion Kit & Combination Unit	171 400 Series Frenchwood® Patio Door Sidelights & Transoms	233 200 Series Narroline® Gliding Patio Doors
87 400 Series Tilt-Wash Double-Hung Full-Frame Windows	161 400 Series Frenchwood® Hinged Patio Doors – Inswing	227 200 Series Gliding Windows
79 400 Series Woodwright® Double-Hung Insert Windows	153 400 Series Frenchwood® Gliding Patio Doors	221 200 Series Tilt-Wash Double-Hung Windows
59 400 Series Woodwright® Double-Hung Full-Frame Windows	149 400 Series Complementary Specialty Windows	215 Exterior Trim
53 400 Series Complementary Casement Windows	129 400 Series Specialty Windows	213 Art Glass
49 400 Series Replacement Casement & Awning Windows	123 400 Series Gliding Windows	191 Entranceways
31 400 Series Casement & Awning Windows	109 400 Series Bay & Bow Windows	185 Folding Doors
		247 200 Series Hinged Patio Doors – Inswing
		255 Combination Designs, Product Performance, Installation & Warranty



Printed on FSC® certified paper manufactured with electricity in the form of renewable energy (wind, hydro and biogas). The cover includes a minimum of 10% post-consumer recovered fiber and the text includes a minimum of 10% post-consumer recovered fiber.



“Andersen” and all other marks where denoted are trademarks of Andersen Corporation.
©2017 Andersen Corporation. All rights reserved. 10/17 Part #2000008